



PARTS CATALOG

FORCE 125 H.P.

SERIAL NUMBER

125 H.P. (1983)	1251X3A
125 H.P. (1983)	1251XC3A
125 H.P. (1983)	1258X3A
125 H.P. (1983)	1258XC3A
125 H.P. (1984)	1251F4A
125 H.P. (1984)	1251FC4A
125 H.P. (1984)	1251X4A
125 H.P. (1984)	1251XC4A
125 H.P. (1984)	1258F4A
125 H.P. (1984)	1258FC4A
125 H.P. (1984)	1258X4A
125 H.P. (1984)	1258XC4A

TABLE OF CONTENTS:

ACCESSORIES	59
CARBURETOR 490061-1	12
CARBURETOR 589061-1	16
CRANKSHAFT AND PISTON GROUP	30
ELECTRICAL COMPONENTS	4
ENGINE COVER AND SUPPORT PLATE	2
FUEL LINE	42
FUEL PUMP AND REED PLATE	20
FUEL TANK AND LINE	44
GEAR HOUSING	36
MOTOR LEG	32
PARTS INDEX	62
POWER HEAD	24
POWER TRIM UNIT	50
REMOTE CONTROL	46
SPECIAL TOOLS - GEAR HOUSING	56
SPECIAL TOOLS - LUBRICANTS AND SEALANTS	58
SPECIAL TOOLS - POWER HEAD	55
SPECIAL TOOLS - TEST EQUIPMENT	57
SPECIAL TOOLS - TUNE-UP	54
STARTER (BOSCH)	10
STARTER (PRESTOLITE)	8

NOTE: *Indented description indicate that these parts are included in preceeding assembly.*

AR = As Required

NSS = Not Sold Separate

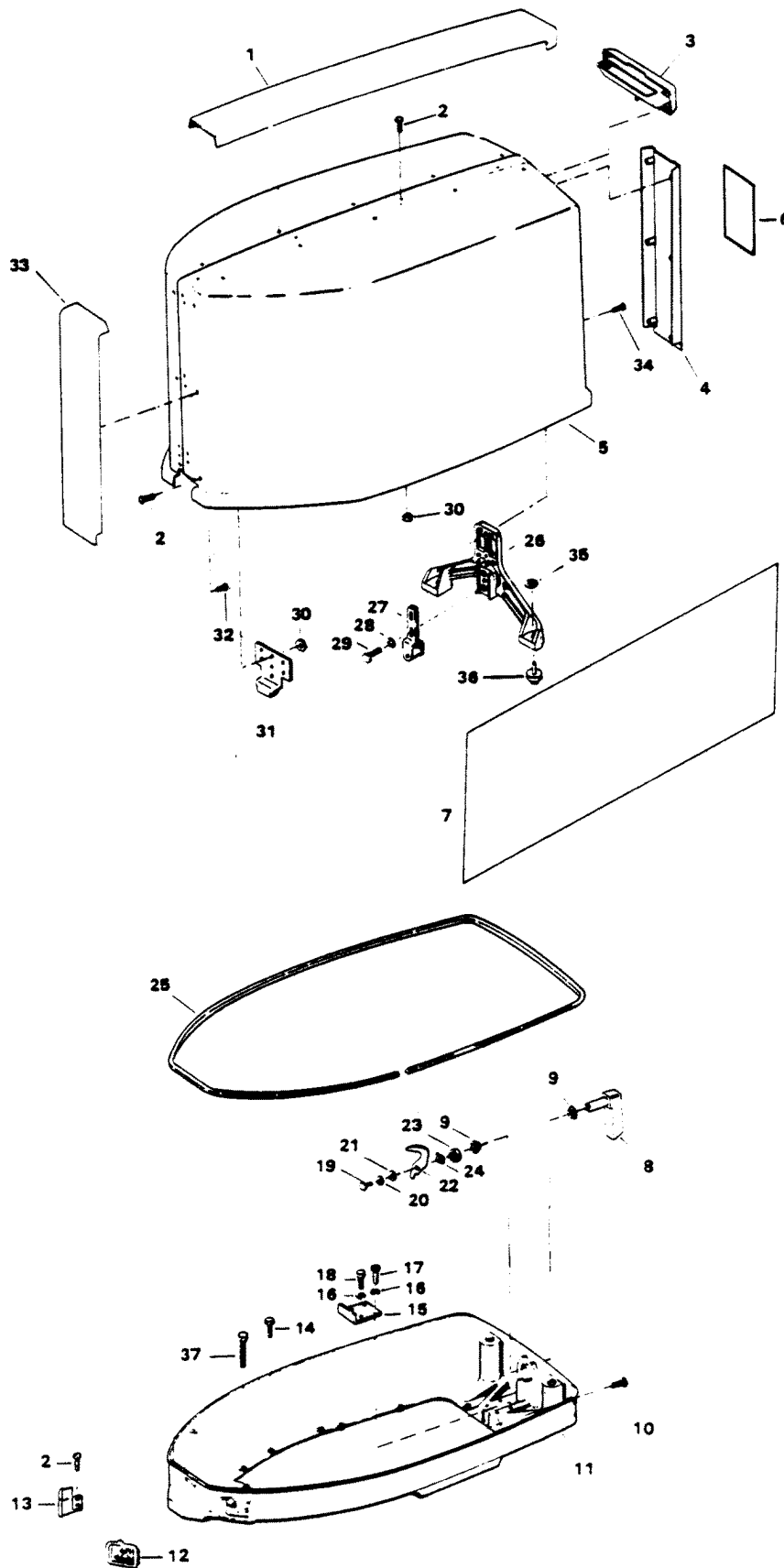
OPT = Optional

NS = Not Shown

THESE PARTS BOOKS/FICHE CARD ARE COPYRIGHTED AND MAY NOT BE DISTRIBUTED OR REPRODUCED IN ANY OTHER FORMAT BY ANYONE OTHER THAN MERCURY MARINE WITHOUT THE PRIOR WRITTEN CONSENT OF MERCURY MARINE.

THIS PAGE INTENTIONALLY LEFT BLANK

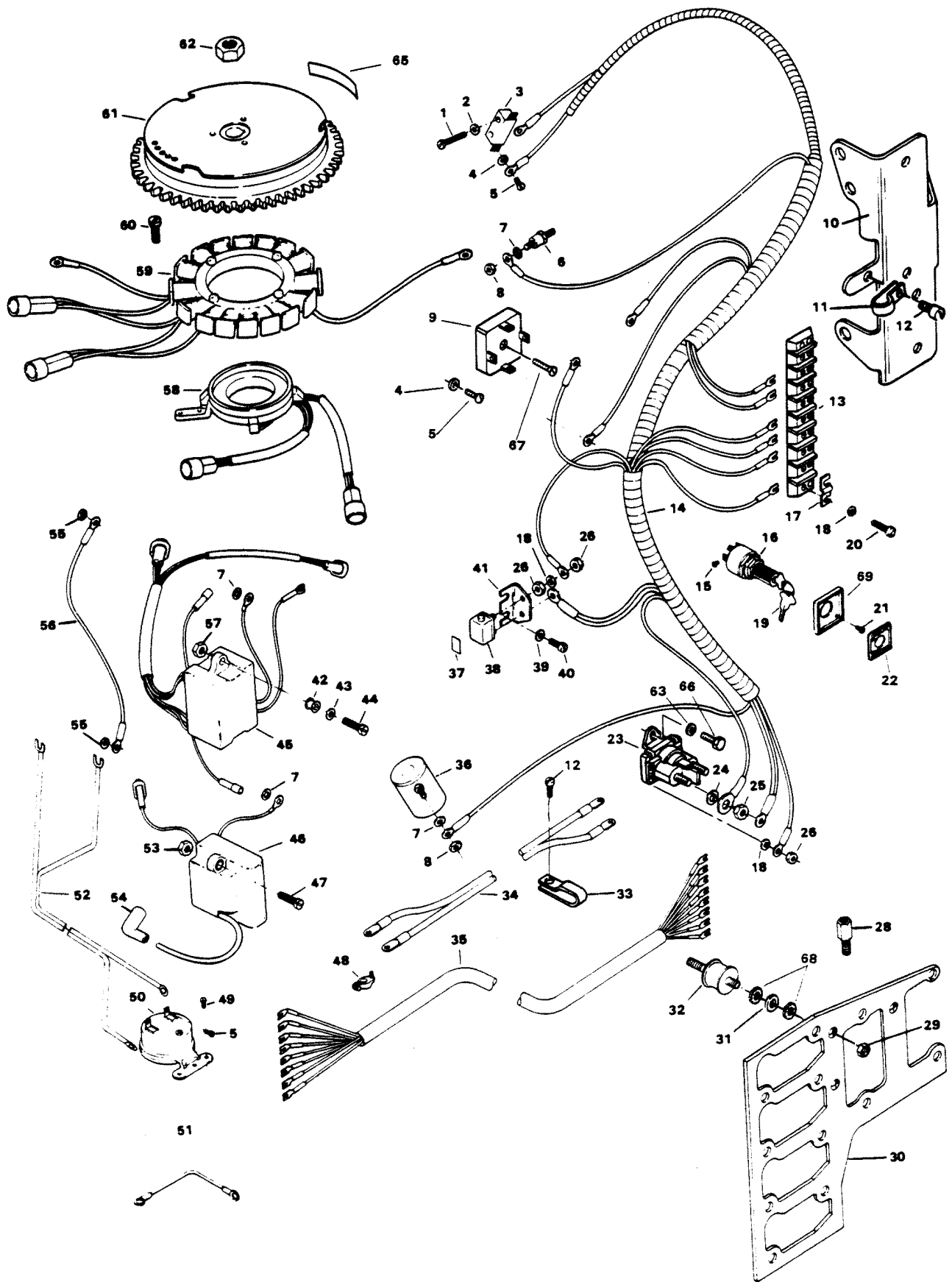
ENGINE COVER AND SUPPORT PLATE



ENGINE COVER AND SUPPORT PLATE

REF. NO.	PART NO.	SYM.	QTY.	DESCRIPTION
1	FA480179		1	TRIM TOP W/LITERATURE
2	F1733		10	PAN HD MACHINE SCREW, 10 - 24 X 9/16
3	FA480269		1	TILT HANDLE W/LITERATURE
4	FA552180		1	TRIM REAR W/LITERATURE
5	FA552944		1	ENGINE COVER W/ILLUS. 2, 30 AND 31
-	F3C598944		1	ENGINE COVER COMPLETE INCLUDES ALL ITEMS MARKED WITH AN ASTERISK (*).
6	F312528		1	DECAL, ENGINE COVER REAR
7	FA599397		1	DECAL, PORT.
-	FA599396		1	DECAL, STARBOARD.
8	FA481469		1	HANDLE W/SHAFT
9	F286818		2	BEARING
10	F1864		6	HEX CAP SCREW, 1/4 - 20 X 3/4
11	F480038-2		1	SUPPORT PLATE
12	F549189		1	BUSHING, ELECTRIC CABLE
13	F545189		1	BUSHING, CABLE ENTRY
14	F1922		5	HEX CAP SCREW, 1/4 - 20 X 5/8
15	F335654-1		1	DEFLECTION STOP
16	F8096		4	SPRING LOCKWASHER
17	F1857		2	HEX CAP SCREW, 5/16 - 18 X 5/8
18	F1858		2	HEX CAP SCREW, 5/16 - 18 X 1
19	F1854		1	HEX CAP SCREW, 1/4 - 20 X 5/8
20	F8083		1	SPRING LOCKWASHER
21	F8094		1	PLAIN WASHER
22	F481777		1	CAM, LATCH
23	F481382-1		1	SPACER, LATCH SHAFT
24	F2047		1	WAVE SPRING LOCKWASHER
25	F321756		1	PACKING COVER
26	F481774		1	BRACKET, COVER LATCH
27	FA481743		1	ROLLER BRACKET W/ROLLER
28	F8096		2	SPRING LOCKWASHER
29	F1857		2	HEX CAP SCREW, 5/16 - 18 X 5/8
30	F1473		7	HEX NUT
31	F333480-1		1	RETAINER, ENGINE COVER
32	F2066		30	PAN HD TAPPING SCREW, 10 X 7/16 (TRIM TO COVER)
33	FA552888		1	TRIM, FRONT W/LITERATURE
34	F1730		3	PAN HD SCREW W/SPRING LOCKWASHER, 1/4 - 20 X 5/8
35	F2088		2	FASTENER
36	F481434		2	GUIDE, ENGINE COVER
37	F1708		1	HEX HD SCREW, 1/4 - 20 X 1-3/8
-	F548984		1	BLANKET, SILENCER TOP (NOT SHOWN)
-	F552985		2	BLANKET, SILENCER SIDE (NOT SHOWN)

ELECTRICAL COMPONENTS

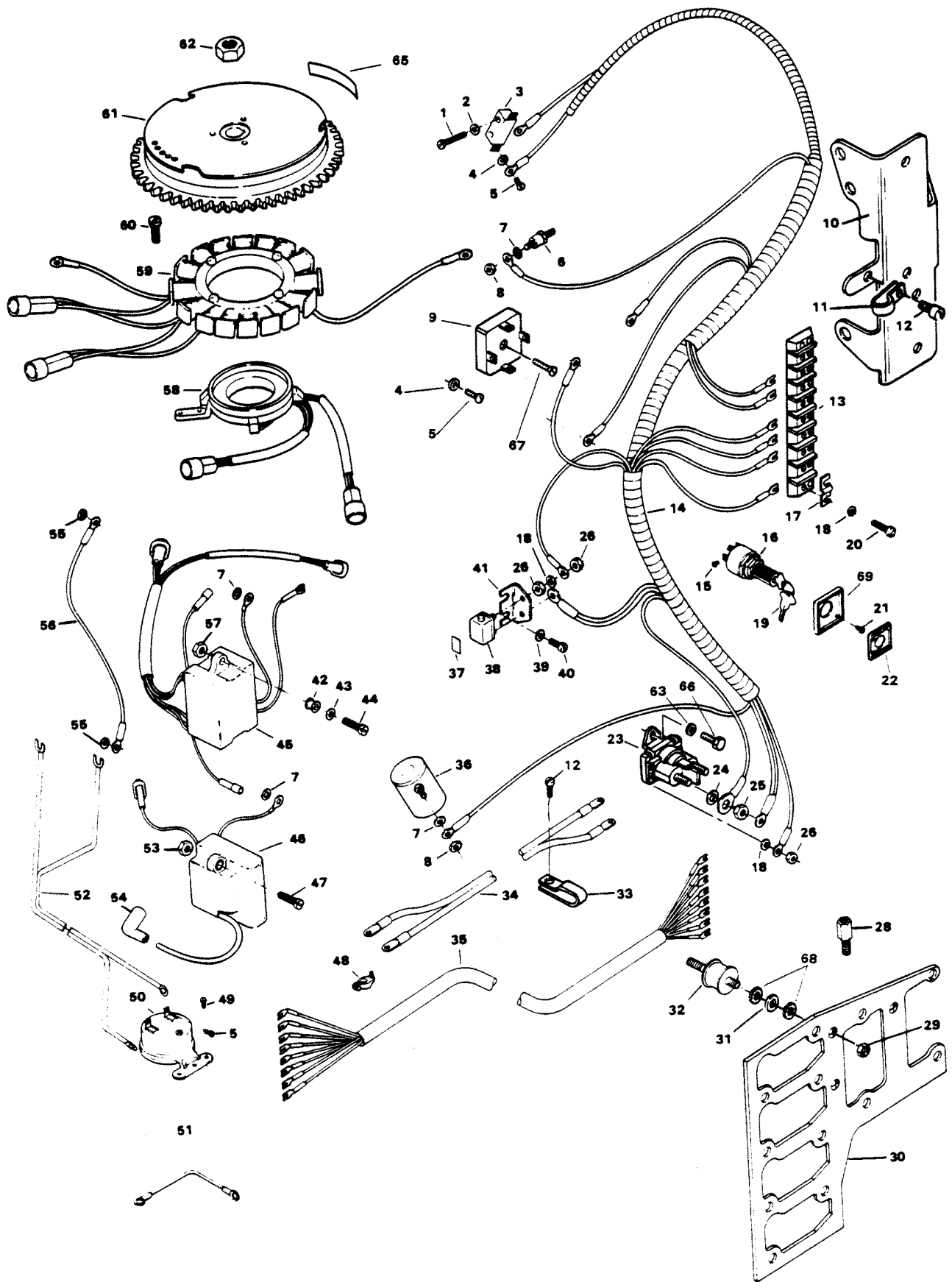


ELECTRICAL COMPONENTS

REF. NO.	PART NO.	SYM.	QTY.	DESCRIPTION
1	F2016		2	SLOTTED FILL HD SCREW, 6 - 32 X 7/8
2	F8088		2	PLAIN WASHER
3	F84449		1	NEUTRAL INTERLOCK SWITCH
4	F1704		6	INTERNAL TOOTH LOCKWASHER
5	F1645		8	RD HD SCREW, 6 - 32 X 1/4
6	87-817939A1		1	THERMOSWITCH WILLUS. 7 AND 8 ORIGINAL FORCE P/N A 311449-1
7	F8056		2	SPRING LOCKWASHER
8	F1647		2	HEX NUT, 8 - 32
9	FA617450		1	RECTIFIER WILLUS. 5
10	FA439493		1	BRACKET, TERMINAL BLOCK WILLUS. 12 AND 44
11	F289446-1		1	CLAMP, REMOTE ELEC. CABLE TO BRACKET
12	F1734		2	FILL HD. SCREW, 1/4 - 20 X 1/2
13	FA616497		1	TERMINAL BLOCK WILLUS. 17 AND 20
14	F615744		1	WIRING HARNESS
15	F1280		6	SLOTTED PAN HD SCREW, 8 - 32 X 1/4
16	F5H078		1	SWITCH, IGNITION (ACCESSORY ITEM), LONG BARREL WILLUS. 15 AND 19
17	F307317		2	CLIP, TERMINAL BLOCK GROUND
18	F1975		4	LOCKWASHER
19	FA368700		-	KEY IGNITION - NO LETTER OR STAMPED A
-	FB368700		-	KEY IGNITION - STAMPED B
-	FC368700		-	KEY IGNITION - STAMPED C
-	FD368700		-	KEY IGNITION - STAMPED D
-	FE368700		-	KEY IGNITION - STAMPED E
-	FA27232		1	EMERGENCY STARTER ROPE (NOT SHOWN)
20	F1648		2	PAN HD SCREW, 10 - 24 X 3/4
21	F1934		4	FLAT HD SCREW, 6 X 1/2
22	F412181-1		1	IGNITION SWITCH PLATE
-	817892--1		1	IGNITION SWITCH PLATE - CANADA (NOT SHOWN)
23	FK616917		1	STARTER RELAY WILLUS. 66, 27 AND 63
24	F8096		2	SPRING LOCKWASHER
25	F1515		2	HEX NUT, S.S., 5/16 - 18
26	F1513		6	HEX NUT, 10 - 32
27	F1820		1	SLOTTED FILL HD. SCREW, 1/4 - 20 X 1-3/8
28	F322273		1	STUD
29	F1515		3	HEX NUT, 5/16 - 18
30	F615358		1	BRACKET (C.D. - COIL)
31	F8090		3	PLAIN WASHER
32	F215962		3	MOUNT (SHOCK - C.D. UNIT)
33	F407446		1	CLAMP
34	F381896-4		1	BATTERY CABLE
35	F5H070		1	ELECTRIC CONTROL CABLE, 21 FEET (ACCESSORY ITEM)
36	F85924		1	CHOKE SOLENOID

CONTINUED ON NEXT PAGE ➡

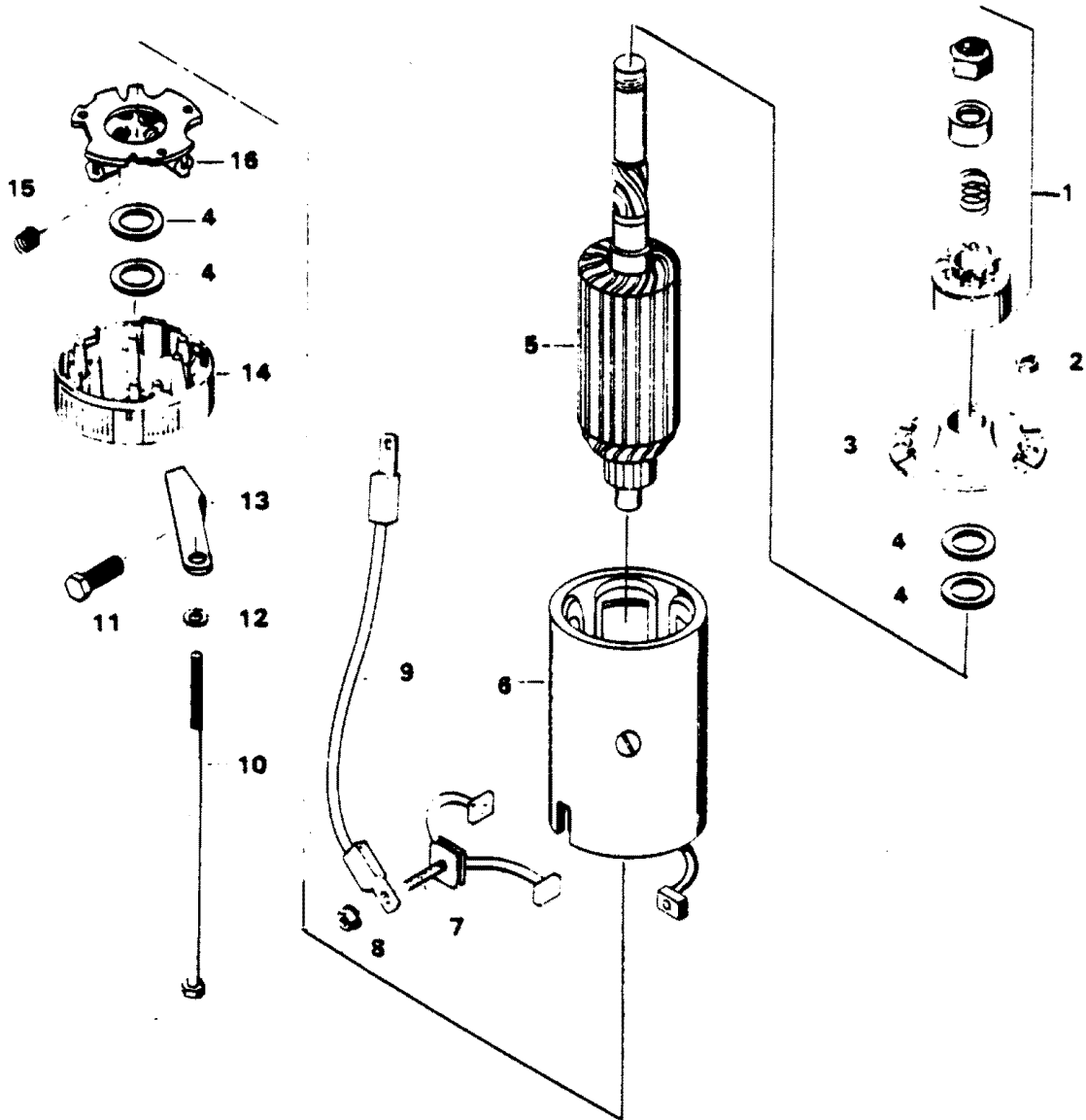
ELECTRICAL COMPONENTS



ELECTRICAL COMPONENTS

REF. NO.	PART NO.	SYM.	QTY.	DESCRIPTION
37	F510374-1		1	DECAL, CIRCUIT BREAKER
38	F510460		1	CIRCUIT BREAKER
39	F8011		2	PLAIN WASHER
40	F1760		2	SLOTTED PAN HD SCREW, 10 - 24 X 3/8
41	F91446-1		1	CIRCUIT BREAKER BRACKET
42	F475504		4	BUSHING
43	F8028		4	PLAIN WASHER
44	F2008		4	HEX HD. M. SC., 1/4 - 20 X 7/8
45	F475301-1		2	MODULE
46	F615475		4	IGNITION COIL
47	F2008		8	HEX HD. SCREW 1/4 - 20 X 7/8
48	F71H26		1	BATTERY TERMINAL KIT (ACCESSORY ITEM)
49	F1741		2	PAN HD SCREW, 8 X 3/4
50	F5H043		1	BUZZER, HEAT INDICATOR (ACCESSORY ITEM)
51	F345683		1	WIRE, GROUND
52	F404841		1	CABLE, HEAT INDICATOR
53	F1341		8	NUT, 1/4 - 20
54	FK1123		4	SPARKIE KIT
55	F2106		2	LOCKWASHER
56	F319908		1	WIRE, GROUND (C.D. - COIL BRACKET)
57	F1832		4	NUT, LOCK 1/4 - 20
58	F615029		1	TRIGGER ASSY.
59	FA615095		1	ALTERNATOR STATOR
60	F1550		4	SLOTTED PAN HD. SCREW #12 - 24 X 1
61	FA615097		1	FLYWHEEL WILLUS. 65
63	F8083		1	SPRING LOCKWASHER
64	F1877		1	TY-RAP (NOT SHOWN)
65	FA609853		1	DECAL, WARNING W/LITERATURE
66	F1802		1	SLOTTED FILL HD. SCREW, 1/4 - 20 X 9/16
67	F1303		1	SLOTTED PAN HD. SCREW, 8 - 32 X 3/4
68	F8124		6	TOOTH LOCKWASHER
69	F411420		1	RETAINER, SWITCH PLATE

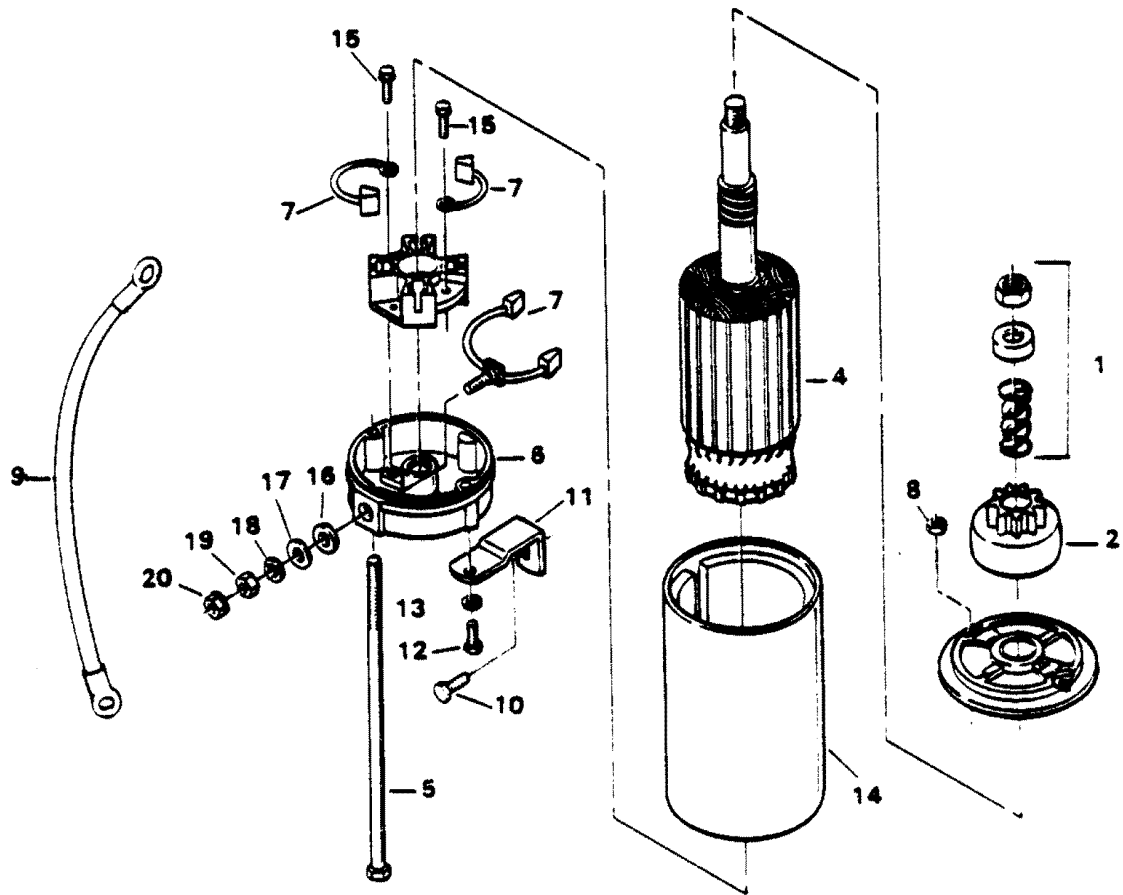
STARTER (PRESTOLITE)



STARTER (PRESTOLITE)

REF. NO.	PART NO.	SYM.	QTY.	DESCRIPTION
1	F15118		1	BENDIX DRIVE ASSEMBLY
2	F1641		2	LOCK NUT, 1/4 - 28
3	F15167		1	HEAD ASSEMBLY, DRIVE END
4	F15126		1	THRUST WASHER PACKAGE
5	F15099		1	ARMATURE
6	F15166		1	FRAME AND FIELD ASSEMBLY
7	F15054		1	BRUSH AND TERMINAL SET
8	F15162		1	HEX LOCK NUT, 1/4 - 20
9	F85908		1	STARTER LEAD WIRE
10	F15168		1	THRU BOLT PACKAGE
11	F1922		1	HEX CAP SCREW, 1/4 - 20 X 5/8
12	F8028		2	PLAIN WASHER
13	F511675		1	STARTER BRACKET, LOWER
14	F15125		1	HEAD ASSEMBLY, COMMUTATOR END
15	F15034		1	SPRING SET
16	F15057		1	BRUSH PLATE AND HOLDER ASSEMBLY
-	F490955		1	STARTER, COMPLETE. INCLUDES ALL ITEMS MARKED WITH AN ASTERISK (*).
-	FC500390		1	DECAL, STARTER - CANADA (NOT SHOWN)

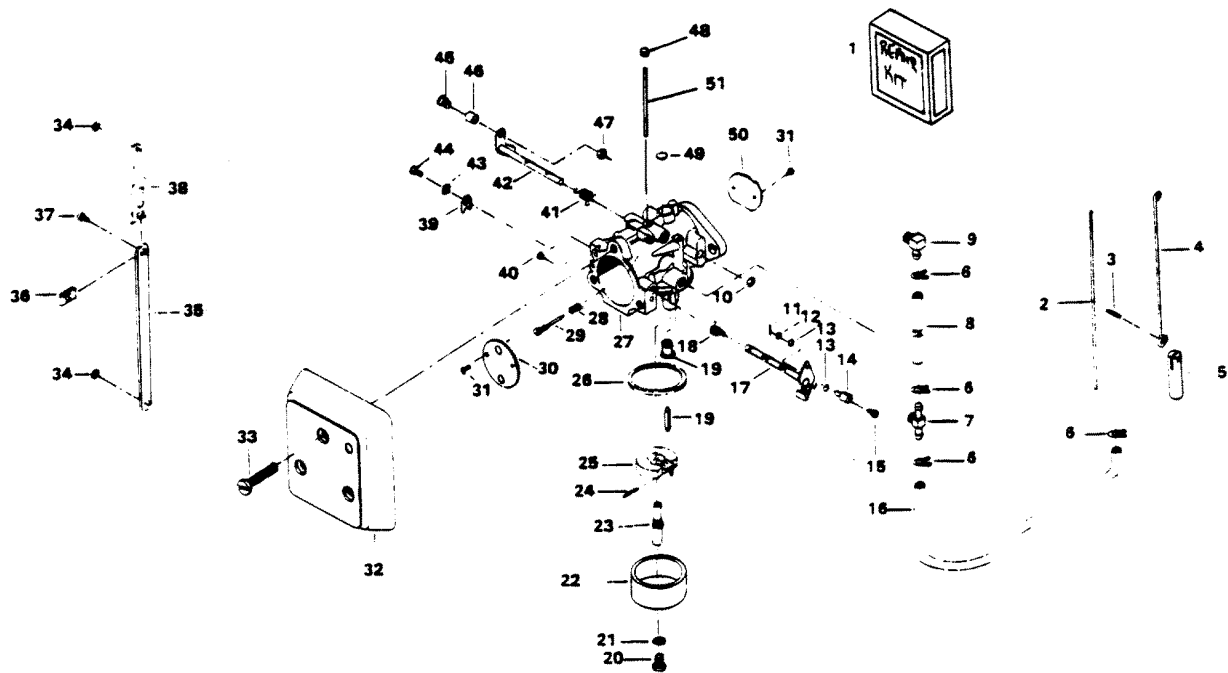
STARTER (BOSCH)



STARTER (BOSCH)

REF. NO.	PART NO.	SYM.	QTY.	DESCRIPTION
1	F15174		1	DRIVE KIT
2	F15175		1	DRIVE ASSEMBLY, PINION
3	F15176		1	CAP STARTER DRIVE
4	F15177		1	ARMATURE
5	F15178		1	THRU BOLT PACKAGE
6	F15179		1	COMMUTATOR
7	F15164		1	BRUSH KIT
8	F1641		2	LOCK NUT
9	F85908-1		1	LEAD WIRE
10	F1922		1	HEX CAP SCREW, 1/4 - 20 X 5/8
11	F616675		1	STARTER BRACKET LOWER
12	F1854		1	HEX HD. CAP SCREW, 1/4 - 20 X 5/8
13	F8083		1	SPRING LOCHWASHER
14	F616955		1	STARTER COMPLETE. INCLUDES ALL ITEMS MARKED WITH AN ASTERISK (*).
15	F15158		1	SCREW, BRUSH HOLDER
16	F15160		1	INSULATOR WASHER
17	F15161		1	PLAIN WASHER
18	F15152		1	LOCKWASHER
19	F1341		1	NUT
20	F15162		1	NUT

CARBURETOR 490061-1

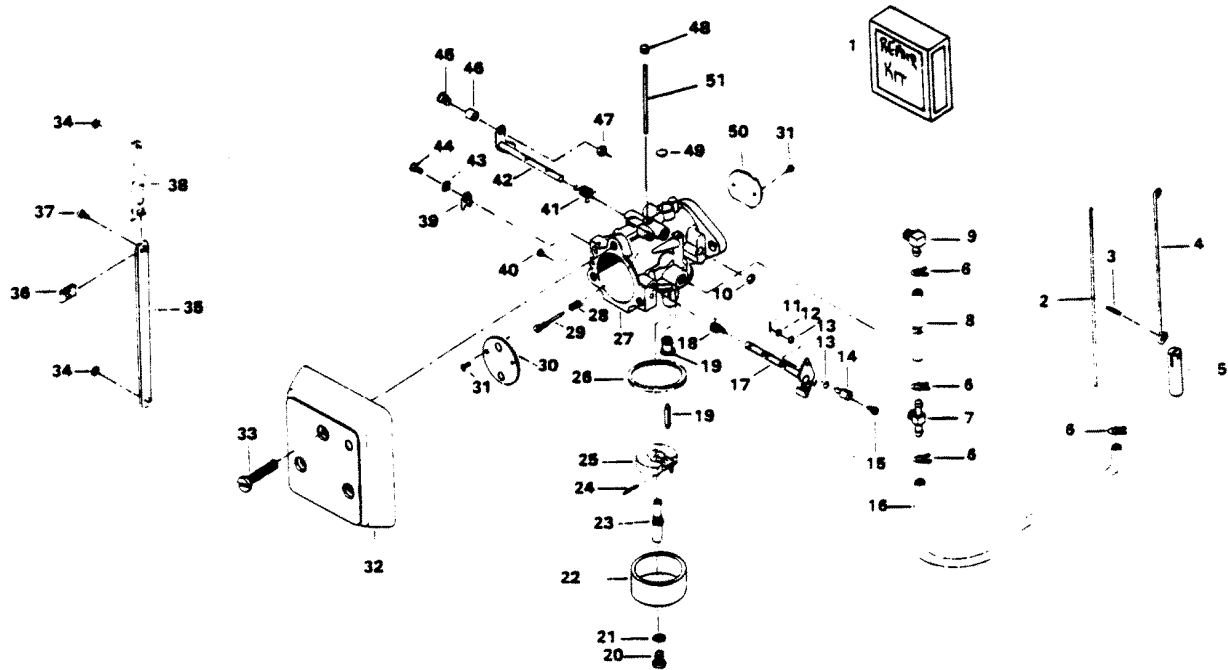


CARBURETOR 490061-1

REF. NO.	PART NO.	SYM.	QTY.	DESCRIPTION
1	FK10103		1	REPAIR PARTS KIT. INCLUDES ALL ITEMS MARKED WITH AN ASTERISK (*) .
2	F85509-1		1	LINK, CHOKE
3	F2033		1	GROOVE PIN
4	F440925		1	CHOKE ROD
5	F391926-1		1	PLUNGER
6	F97772		4	CLAMP
7	F85314-1		1	FUEL FITTING
8	F178754-1		1	FUEL LINE
9	F84314-2		1	ELBOW
10	FO16620		1	E-RING
11	F1014		2	COTTER PIN
12	F8088		3	PLAIN WASHER
13	F184579		5	O-RING SEAL
14	F184033-1		1	SWIVEL, TOP CARBURETOR
15	F1059		2	FILL HD SCREW, 6 - 32 X 1/4
16	F438754		1	FUEL LINE
17	FO16301		1	CHOKE SHAFT AND LEVER
18	FO17885		1	CHOKE SHAFT RETURN SPRING
19	FK10170		1	INLET NEEDLE AND SEAT W/LITERATURE
20	FO16132		1	FUEL BOWL RETAINING SCREW
21	FO5323		2	FUEL BOWL RETAINING SCREW GASKET
-	F85033		1	SWIVEL, CHOKE ROD (BOTTOM CARBURETOR) (NOT SHOWN)
-	FK10023		1	GASKET SET. INCLUDES ILLUS. 21, 26 AND 31 ON PAGE 10.
22	FO16130		1	FUEL BOWL
23	FO16133		1	MAIN NOZZLE
24	FO13944		1	FLOAT LEVER PIN
25	FO13554		1	FLOAT
26	FO15623		1	FUEL BOWL GASKET
27	F490061-1		2	CARBURETOR COMPLETE (TC-6B)
28	FO11103		1	IDLE MIXTURE SCREW SPRING
29	FO14166		1	IDLE MIXTURE SCREW
30	FO17719		1	CHOKE, SHUTTER
31	FO8942		4	CHOKE AND THROTTLE SHUTTER SCREW
32	F511708		2	COVER, CARBURETOR
33	F1034		6	PAN HD. SCREW, 1/4 - 20 X 1-3/8
34	F90807		2	RETAINING RING
35	FA178233		1	THROTTLE TIE BAR W/SWIVEL
36	F1693		1	TIE BAR RETAINER NUT
37	F1064		1	FILL HD. SCREW, 8 - 32 X 3/8
38	FA85193		1	TIE BAR END W/SWIVEL
39	FO9678		1	CLIP, CHOKE SHAFT
40	FO14191		1	MAIN FUEL JET STD. .0937 SEA LEVEL - 1500 FT.

CONTINUED ON NEXT PAGE ➡

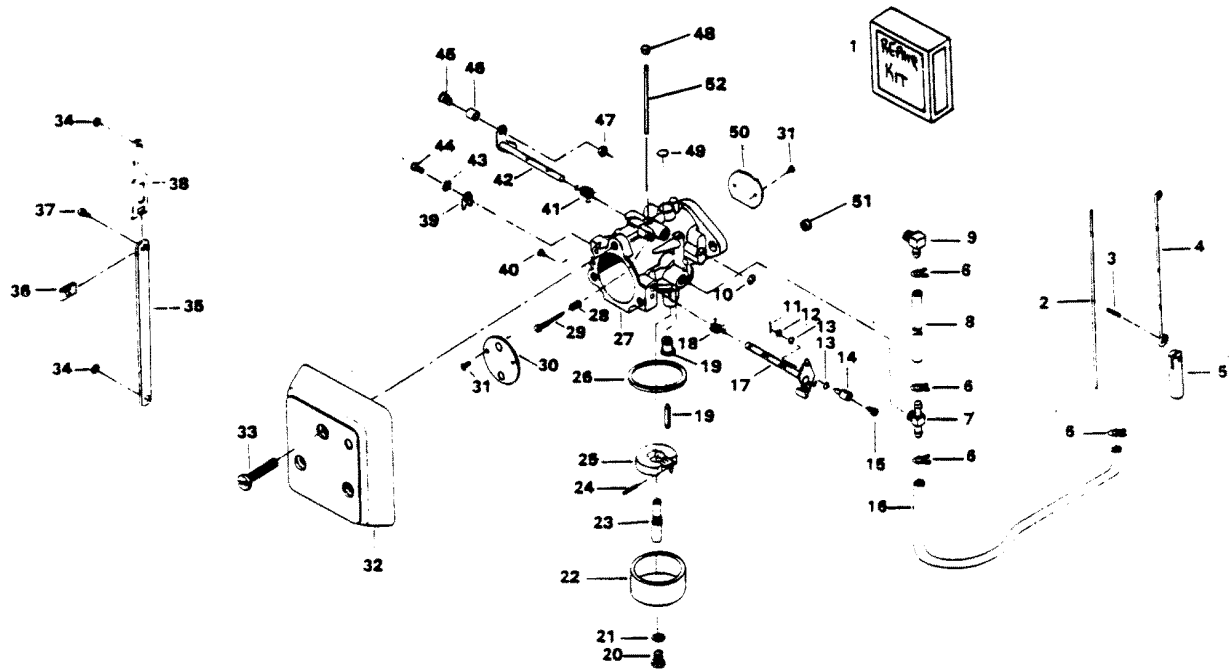
CARBURETOR 490061-1



CARBURETOR 490061-1

REF. NO.	PART NO.	SYM.	QTY.	DESCRIPTION
-	FO14190		-	MAIN FUEL JET OPT. 092 1500 - 3000 FT.
-	FO15406		-	MAIN FUEL JET OPT. .090 3000 - 4500 FT.
-	FO13193		-	MAIN FUEL JET OPT. .088 4500 - 6000 FT.
-	FO13949		-	MAIN FUEL JET OPT. .086 6000 FT. & UP
41	FO16143		1	THROTTLE SHAFT RETURN SPRING
42	FO17884		1	THROTTLE SHAFT AND LEVER
43	FO992		1	LOCKWASHER
44	FO1974		1	SCREW
45	F333316		1	THROTTLE ROLLER SHAFT
46	F92759		1	THROTTLE ROLLER
47	F1997		1	STOP NUT, 8 - 32
48	FO10588		5	BODY CHANNEL CUP PLUG
49	FO16128		1	BODY CHANNEL WELCH PLUG
50	FO16142		1	THROTTLE SHUTTER
51	FO16993		1	BY PASS TUBE

CARBURETOR 589061-1

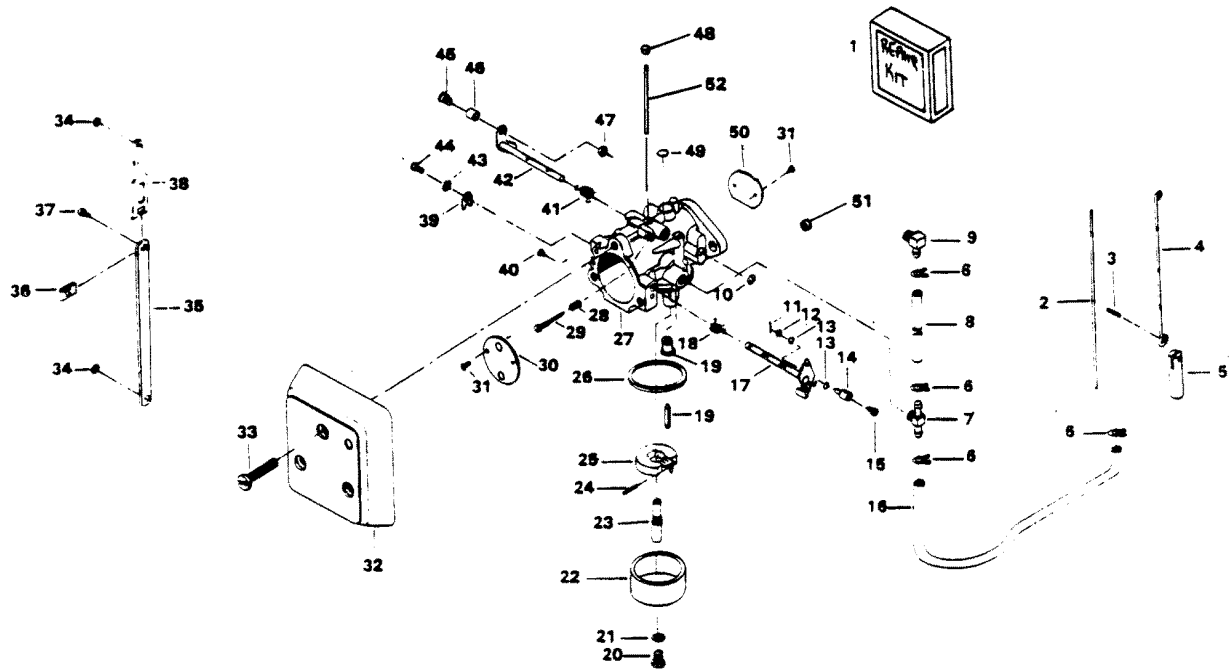


CARBURETOR 589061-1

REF. NO.	PART NO.	SYM.	QTY.	DESCRIPTION
1	FK10103		1	REPAIR PARTS KIT. INCLUDES ALL ITEMS MARKED WITH AN ASTERISK (*) .
2	F85509-1		1	LINK, CHOKE
3	F2033		1	GROOVE PIN
4	F440925		1	CHOKE ROD
5	F391926-1		1	PLUNGER
6	F97772		4	CLAMP
7	F85314-1		1	FUEL FITTING
8	F178754-1		1	FUEL LINE
9	F84314-2		1	ELBOW
10	FO16620		1	E-RING
11	F1014		2	COTTER PIN
12	F8088		3	PLAIN WASHER
13	F184579		5	O-RING SEAL
14	F184033-1		1	SWIVEL, TOP CARBURETOR
15	F1059		2	FILL HD SCREW, 6 - 32 X 1/4
16	F438754		1	FUEL LINE
17	FO16301		1	CHOKE SHAFT AND LEVER
18	FO17885		1	CHOKE SHAFT RETURN SPRING
19	FK10107		1	INLET NEEDLE AND SEAT W/LITERATURE
20	FO16132		1	FUEL BOWL RETAINING SCREW
21	FO5323		2	FUEL BOWL RETAINING SCREW GASKET
-	F85033		1	SWIVEL, CHOKE ROD (BOTTOM CARBURETOR) (NOT SHOWN)
-	FK10023		1	GASKET SET. INCLUDES ILLUS. 21, 26 AND 31 ON PAGE 10.
22	FO16130		1	FUEL BOWL
23	FO16133		1	MAIN NOZZLE
24	FO13944		1	FLOAT LEVER PIN
25	FO13554		1	FLOAT
26	FO15623		1	FUEL BOWL GASKET
27	F589061-1		2	CARBURETOR COMPLETE
28	FO11103		1	IDLE MIXTURE SCREW SPRING
29	FO14166		1	IDLE MIXTURE SCREW
30	FO17719		1	CHOKE, SHUTTER
31	FO8942		4	CHOKE AND THROTTLE SHUTTER SCREW
32	F511708		2	COVER, CARBURETOR
33	F1034		6	PAN HD. SCREW, 1/4 - 20 X 1-3/8
34	F90807		2	RETAINING RING
35	FA178233		1	THROTTLE TIE BAR W/SWIVEL
36	F1693		1	TIE BAR RETAINER NUT
37	F1064		1	FILL HD. SCREW, 8 - 32 X 3/8
38	FA85193		1	TIE BAR END W/SWIVEL
39	FO9678		1	CLIP, CHOKE SHAFT
40	FO14191		1	MAIN FUEL JET STD. .0937 SEA LEVEL - 1500 FT.

CONTINUED ON NEXT PAGE ➡

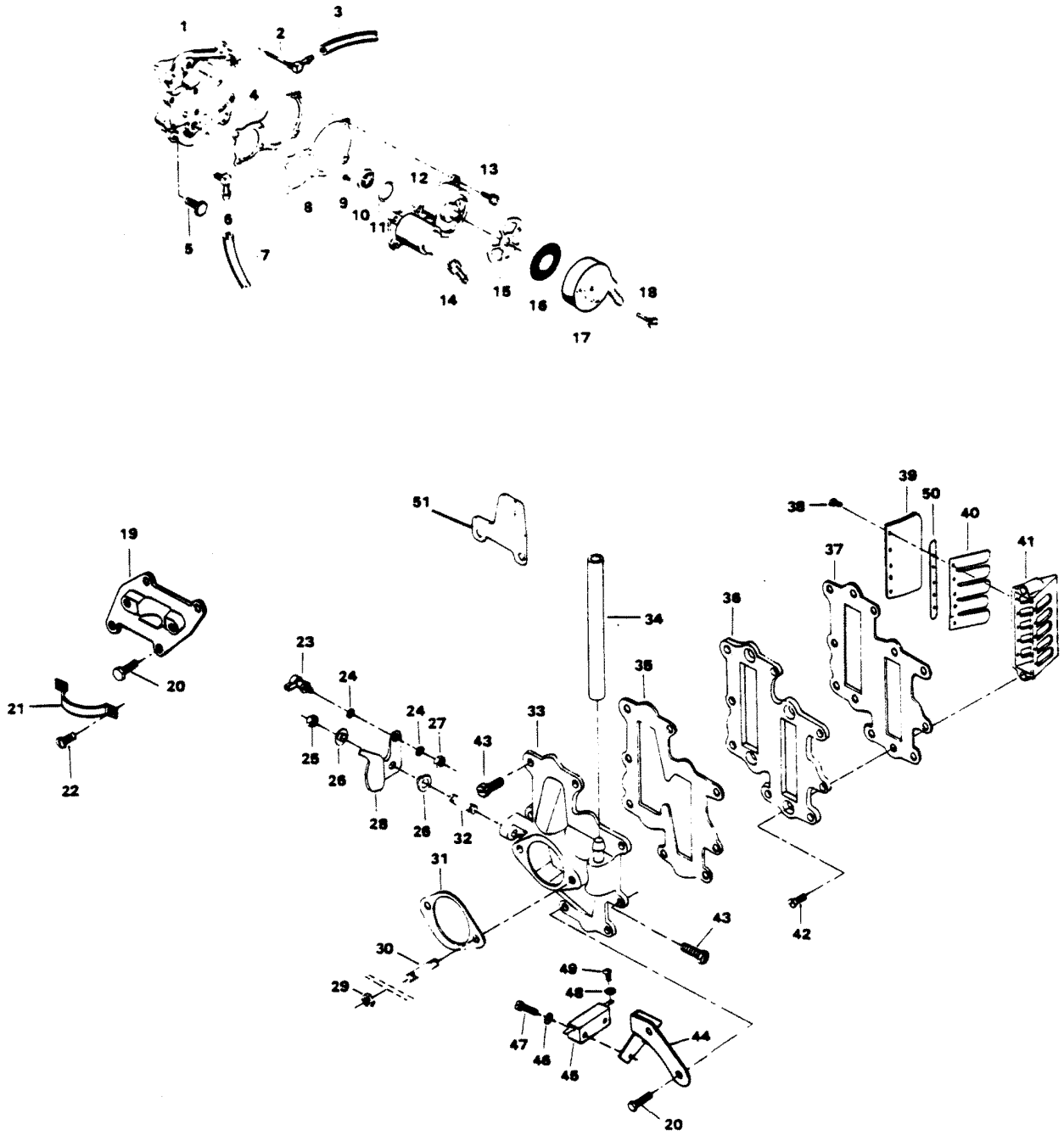
CARBURETOR 589061-1



CARBURETOR 589061-1

REF. NO.	PART NO.	SYM.	QTY.	DESCRIPTION
-	FO14190		-	MAIN FUEL JET OPT. .092 1500 - 3000 FT.
-	FO15406		-	MAIN FUEL JET OPT. .090 3000 - 4500 FT.
-	FO13193		-	MAIN FUEL JET OPT. .088 4500 - 6000 FT.
-	FO13949		-	MAIN FUEL JET OPT. .086 6000 FT. & UP
41	FO16143		1	THROTTLE SHAFT RETURN SPRING
42	FO17884		1	THROTTLE SHAFT AND LEVER
43	FO992		1	LOCKWASHER
44	FO1974		1	SCREW
45	F333316		1	THROTTLE ROLLER SHAFT
46	F92759		1	THROTTLE ROLLER
47	F1997		1	STOP NUT, 8 - 32
48	FO10588		4	BODY CHANNEL CUP PLUG
49	FO16128		1	BODY CHANNEL WELCH PLUG
50	FO16142		1	THROTTLE SHUTTER
51	F433473		1	CUP, METERING
52	FO16993		1	BY PASS TUBE

FUEL PUMP AND REED PLATE

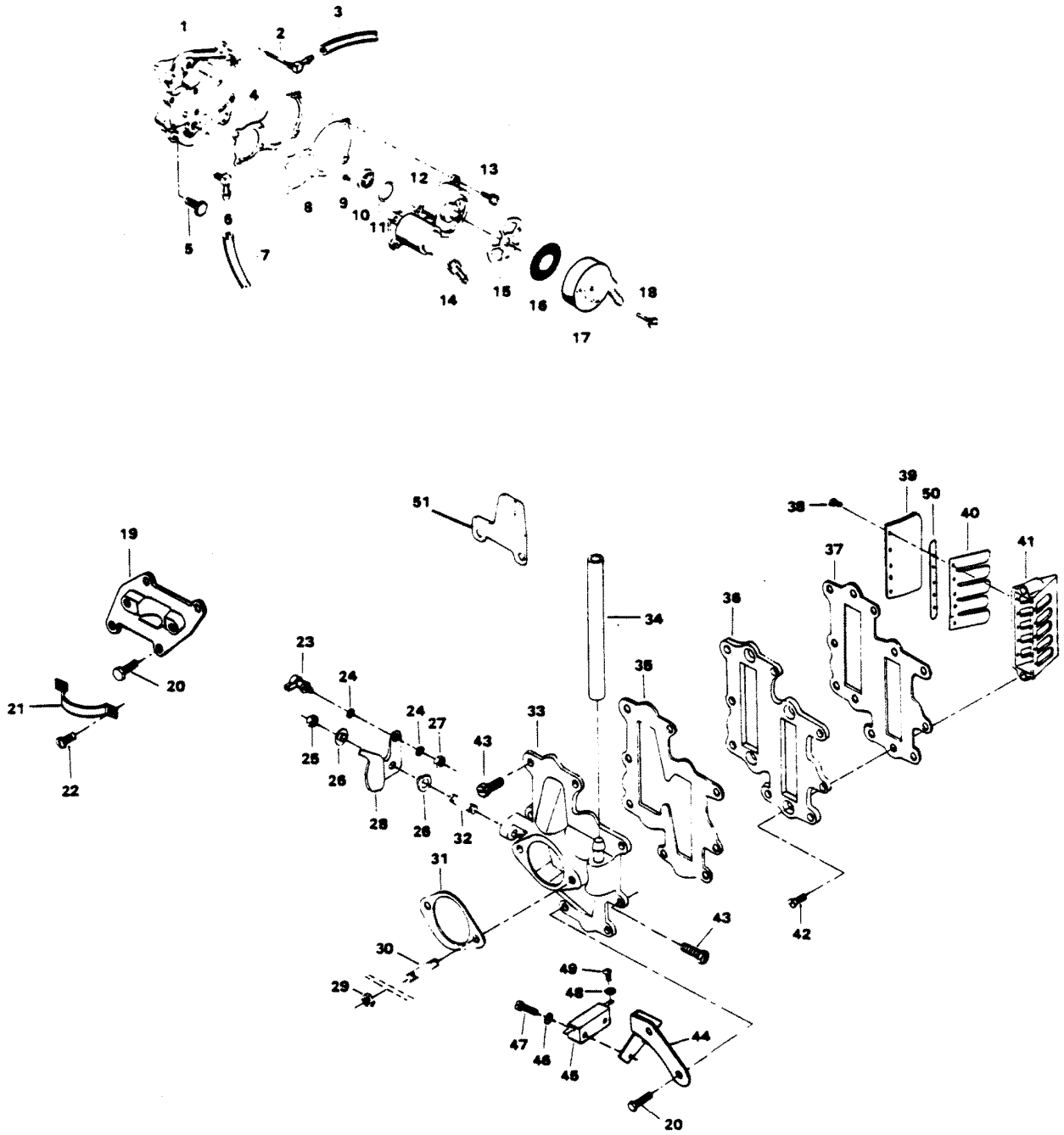


FUEL PUMP AND REED PLATE

REF. NO.	PART NO.	SYM.	QTY.	DESCRIPTION
1	FA439746		1	FUEL PUMP COVER W/PLUG
2	F404314		1	ELBOW, FUEL PUMP COVER
3	F441754-1		1	HOSE
4	F438760		1	FUEL PUMP GASKET
5	F1922		4	HEX CAP SCREW, 1/4 - 20 X 5/8
6	F84314-2		1	ELBOW
7	F89758		1	FUEL PUMP AIR HOSE - TOP
8	F438747		1	FUEL PUMP DIAPHRAGM
9	F1860		2	RD HD SCREW, 6 - 32 X 1/4
10	F177330		3	FUEL PUMP VALVE
11	F84792		1	GASKET, CENTER FUEL PUMP VALVE
12	FA438431		1	FUEL PUMP BODY W/ILLUS. 9, 10 AND 11
13	F1108		6	FILL HD. SCREW, 1/4 - 20 X 3/4
14	F438801		1	FITTING
15	F438617		1	FUEL SEDIMENT BOWL GASKET
16	F438653		1	FUEL SEDIMENT BOWL SCREEN
17	F438500		1	FUEL SEDIMENT BOWL
18	F438165		1	SCREW, FUEL PUMP BOWL
19	F372958		1	CHOKE BRACKET
20	F1532		6	HEX HD. SCREW, 1/4 - 20 X 1
21	F85317-2		1	SOLENOID CLAMP
22	F1236		2	SCREW, 1/4 - 20 X 1/2
23	817747--1		1	BALL JOINT W/STUD
24	F8058		2	INTERNAL TOOTH LOCKWASHER
25	F7008		1	STOP NUT, 1/4 - 20
26	F269319		2	THROTTLE CAM BEARING
27	F1513		1	HEX NUT, 10 - 32
28	F440192-1		1	THROTTLE CAM
29	F1346		4	HEX NUT
30	F440209		4	CARBURETOR STUD
31	F440906		2	CARBURETOR GASKET
32	F433209-1		1	THROTTLE CAM STUD
33	FA440167		1	CARBURETOR ADAPTER, LOWER W/FITTING ILLUS. 30
-	FA440157		1	CARBURETOR ADAPTER, UPPER W/FITTING ILLUS. 30 (NOT SHOWN)
34	F440254		1	BALANCE TUBE
35	F178168-1		1	GASKET, CARBURETOR ADAPTER
36	F178404-1		2	DEFLECTOR PLATE
37	F406406		2	GASKET DEFLECTOR PLATE
38	F1755		40	ROUND HD. SCREW W/LOCKWASHER 6 - 32 X 1/4
39	F85161-1		8	REED STOP
40	F530160		8	REED (5 PETAL)
41	F3A523158		4	REED PLATE W/ILLUS. 38, 39, 40, 44 AND 51

CONTINUED ON NEXT PAGE ➡

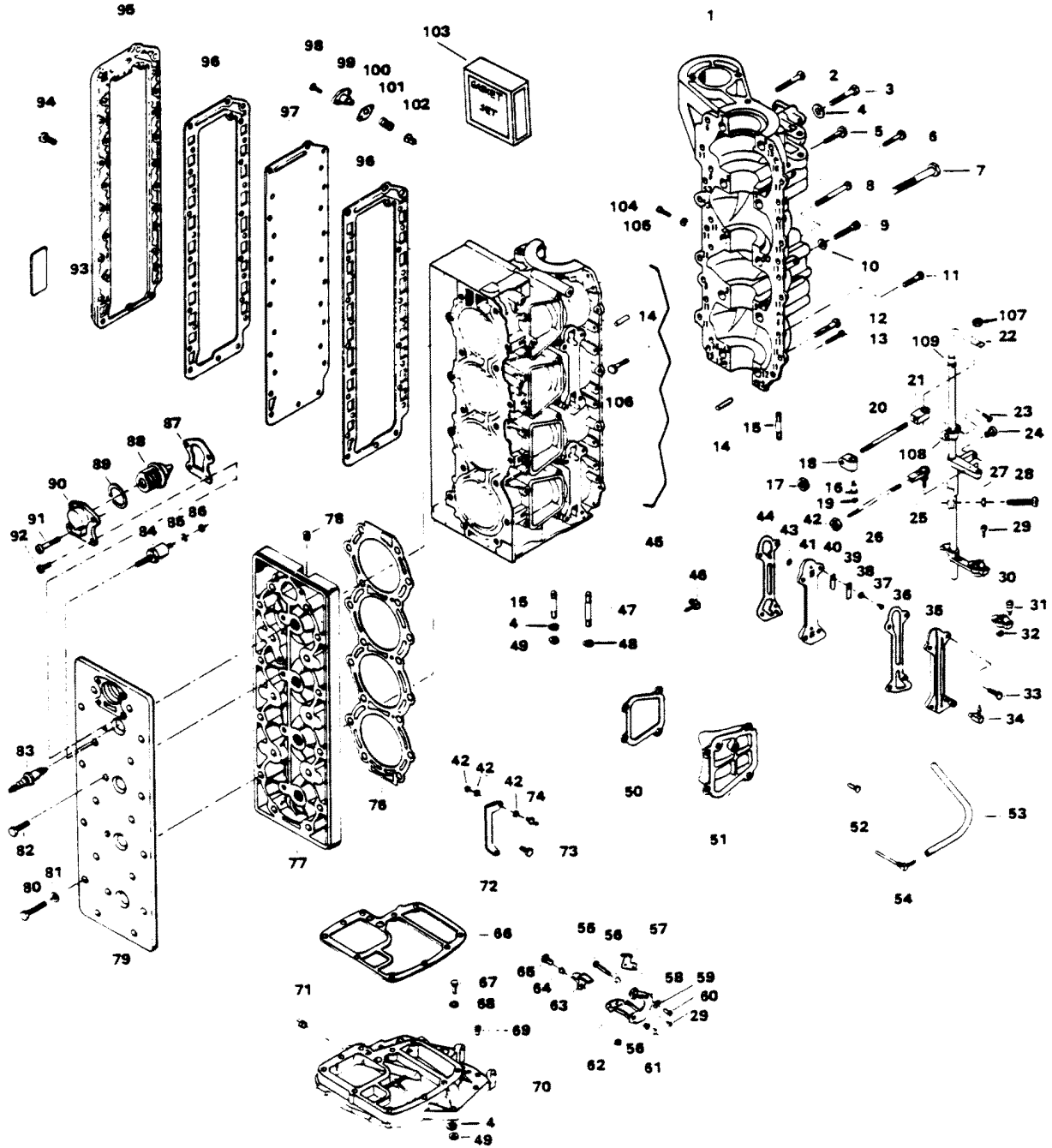
FUEL PUMP AND REED PLATE



FUEL PUMP AND REED PLATE

REF. NO.	PART NO.	SYM.	QTY.	DESCRIPTION
42	F1831		8	FLAT HD SCREW, 1/4 - 20 X 5/8
43	F2008		10	HEX HD SCREW, 1/4 - 20 X 7/8
44	F489551		1	BRACKET NEUTRAL INTERLOCK SWITCH
49	F1645		2	RD HD SCREW, 6 - 32 X 1/4
50	F523451		8	SPACER, REED STOP
51	F500894		1	POINTER, TIMING

POWER HEAD

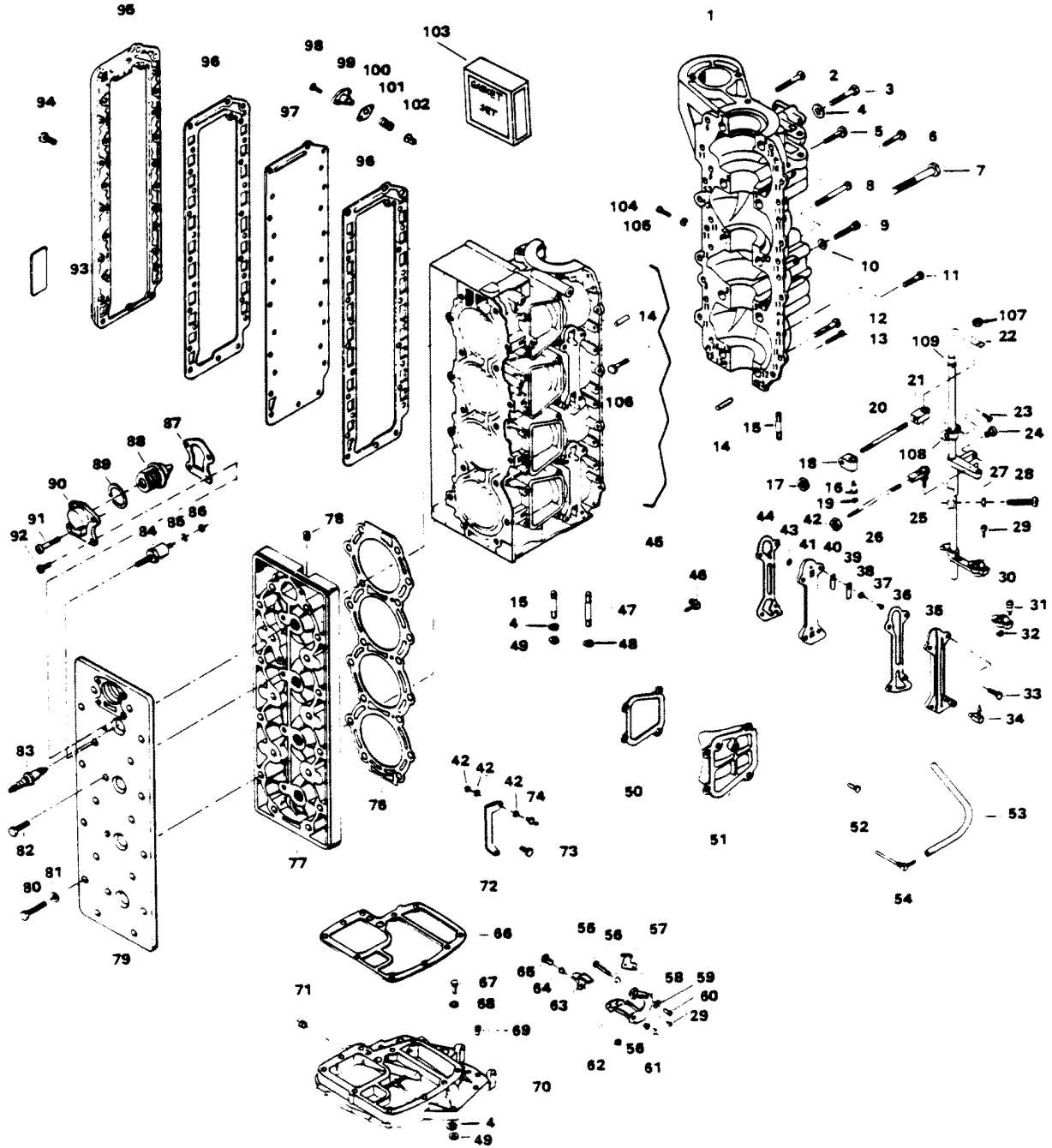


POWER HEAD

REF. NO.	PART NO.	SYM.	QTY.	DESCRIPTION
1	800-817864A6		1	CYLINDER W/CRANKCASE COVER ILLUS. 2, 3, 7, 9, 12, 14, 45 AND 47 ORIGINAL FORCE P/N A 615010-1
-	800-818154A6		1	SHORT BLOCK CONTAINS ALL ITEMS MARKED WITH AN ASTERISK (*). ALSO REFER TO CRANKSAFT PAGE. ORIGINAL FORCE P/N C 615010-1
2	F1874		1	HEX HD. SCREW, 3/8 - 16 X 1/8
3	F1009		1	HEX HD. SCREW, 3/8 - 16 X 2-3/4
4	F8038		4	PLAIN WASHER
5	F2008		2	HEX HD. SCREW, 1/4 - 20 X 7/8
6	F2008		3	HEX HD. SCREW, 1/4 - 20 X 7/8
7	F1873		2	HEX CAP SCREW, 3/8 - 16 X 3
8	F1699		1	HEX HD. SCREW, 1/4 - 20 X 1-1/8
9	F1253		4	HEX SOCKET HD. CAP SCREW, 3/8 - 16 X 2
10	F8104		4	PLAIN WASHER
11	F1864		16	HEX HD. SCREW, 1/4 - 20 X 3/4
12	F1872		2	HEX CAP SCREW, 3/8 - 16 X 1-3/4
13	F1504		2	FILL HD. SCREW, 1/4 - 20 X 1-1/4
14	F8563		2	DOWEL PIN
15	F85859		4	STUD
16	F499026		1	SWIVEL
17	F2015		1	HEX NUT, 1/4 - 28
18	F499035		1	END, CONTROL ROD (TO TOWERSHAFT)
20	F85445		1	CONTROL ROD
21	F499036		1	END, CONTROL ROD (TO TRIGGER)
22	817960A2		1	TOWERSHAFT W/ILLUS. 30, 76, 77, 24, 27 AND 28 ORIGINAL FORCE P/N K 491838-1
23	F1829		2	FILL HD. SCREW, 10 - 24 X 7/8
24	F1727		1	PLASTIC RIVET
25	817747--1		1	BALL JOINT W/STUD
26	F85502		1	THROTTLE LINK
27	F1341		1	HEX NUT, 1/4 - 20
28	F1052		1	FILL HD. SCREW, 1/4 - 20 X 1
29	F1556		2	FILL HD. SCREW W/LOCKWASHER, 10 - 24 X 3/8
30	FK405020		2	SWIVEL W/CLAMP, SHOULDER SCREW AND NUT
31	F405457		1	PIVOT SCREW
32	F7008		1	ELASTIC STOP NUT
33	F1532		8	HEX HD. SCREW, 1/4 - 20 X 1
34	22-818103--1		1	ELBOW, CYLINDER DRAIN LOWER
-	F404801		1	ELBOW, CYLINDER DRAIN UPPER (NOT SHOWN)
35	F406471-1		2	CYLINDER DRAIN COVER
36	F84472-5		2	GASKET, CYLINDER DRAIN COVER
37	F1286		4	PAN HD. SCREW, 4 - 40 X 3/16
38	F8003		4	PLAIN WASHER
39	F93920		4	REED STOP

CONTINUED ON NEXT PAGE ➡

POWER HEAD

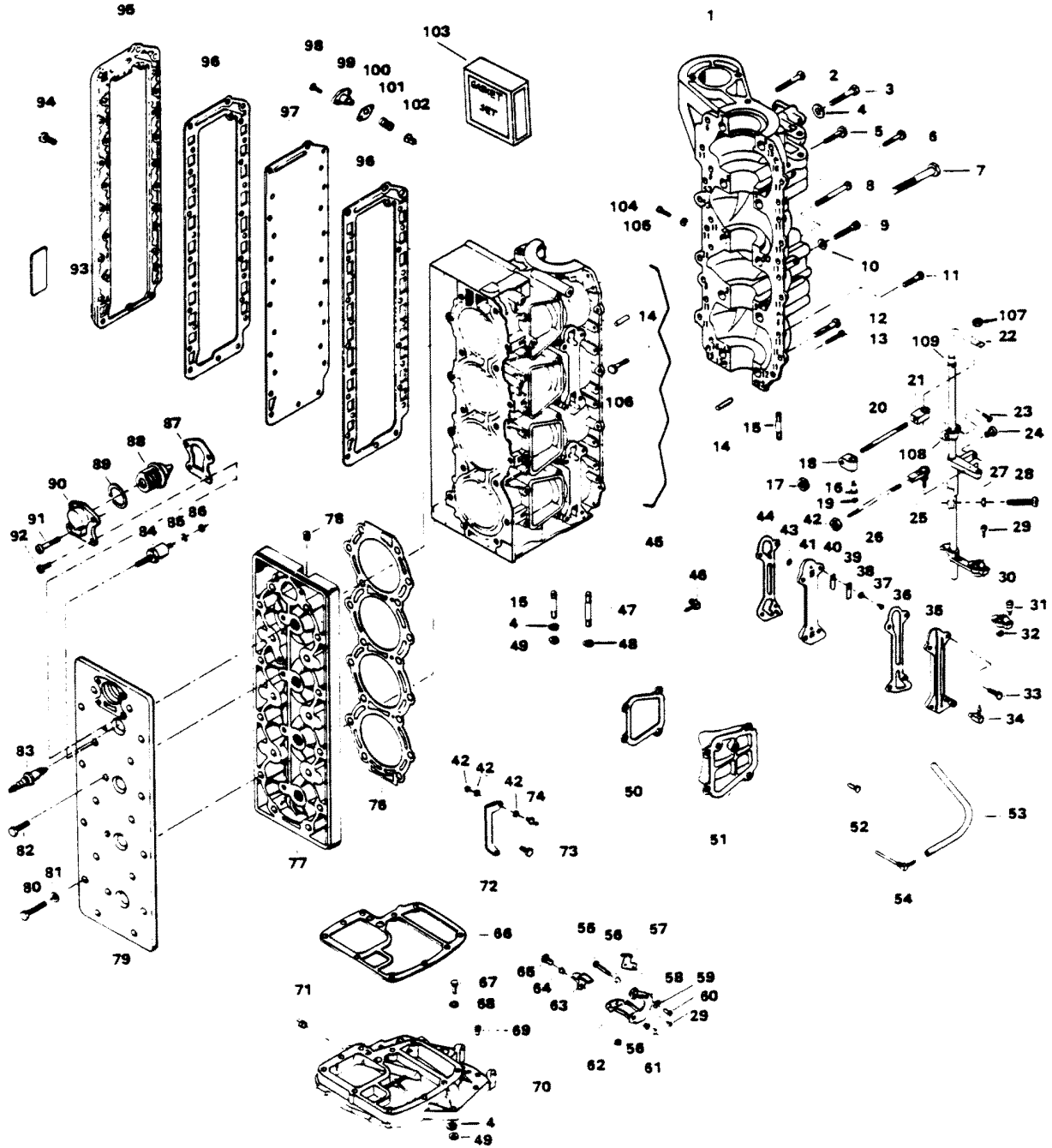


POWER HEAD

REF. NO.	PART NO.	SYM.	QTY.	DESCRIPTION
40	F18160-2		4	CYLINDER DRAIN REED
41	F2A476757		2	CYLINDER DRAIN REED PLATE W/ILLUS. 37, 38, 39, 40 AND 43
42	F1513		2	HEX NUT, 10 - 32
43	F93811		4	SCREEN
44	F84748-3		2	GASKET, CYL. DRAIN REED PLATE
45	F184122-1		1	SEAL, PARTING LINE
46	F84314-2		1	ELBOW
47	F85211		6	STUD
48	F8095		12	PLAIN WASHER
49	F7004		10	STOP NUT, 3/8 - 16
50	F40223		4	GASKET, TRANSFER PORT COVER
51	FA411222		3	TRANSFER PORT COVER W/ILLUS. 78
52	F1922		9	HEX CAP SCREW, 1/4 - 20 X 5/8
53	F406754-1		1	HOSE
54	F404314		1	FITTING
55	F1885		1	HEX BOLTS, S.S., 5/16 - 18 X 4-1/4
56	F85610		2	BEARING
57	F480107-1		1	CAM STARTER INTERLOCK
58	FA480876		1	GEAR SHIFT ARM W/ILLUS. 30, 56, 62, 63, 64 AND 65
59	F2042		2	PLAIN WASHER
60	F2089		2	SLOTTED PAN HD. M. SCREW, 10 - 24 X 5/16
61	F2108		1	STOP NUT, 5/16 - 18
62	F1832		1	STOP NUT, 1/4 - 20
63	F369977-1		1	INTERLOCK ARM
64	F369610		1	BEARING
65	F369887		1	SHOULDER SCREW
66	F85279-2		1	GASKET, CYLINDER EXHAUST UPPER
67	F1869		6	HEX CAP SCREW, 3/8 - 16 X 1-1/4
68	F1703		6	LOCKWASHER
69	F40689-1		1	BEARING
70	817788A3		1	SPACER PLATE W/ILLUS. 71 ORIGINAL FORCE P/N A 404680-1
71	F2090		1	PLUG
72	FS85872-1		1	BRACKET
73	F1864		2	HEX CAP SCREW, 1/4 - 20 X 3/4
74	F98273		2	ROD END CONNECTOR STUD
75	F1804		2	STOP NUT
76	F476529-1		1	CYLINDER HEAD GASKET
77	FA615518		1	CYLINDER HEAD W/ILLUS. 78
78	F19109		1	PLUG
79	F528995		1	COVER, CYLINDER HEAD
80	F2049		18	HEX CAP SCREW, 5/16 - 18 2-5/8
81	F1987		18	PLAIN WASHER

CONTINUED ON NEXT PAGE ➡

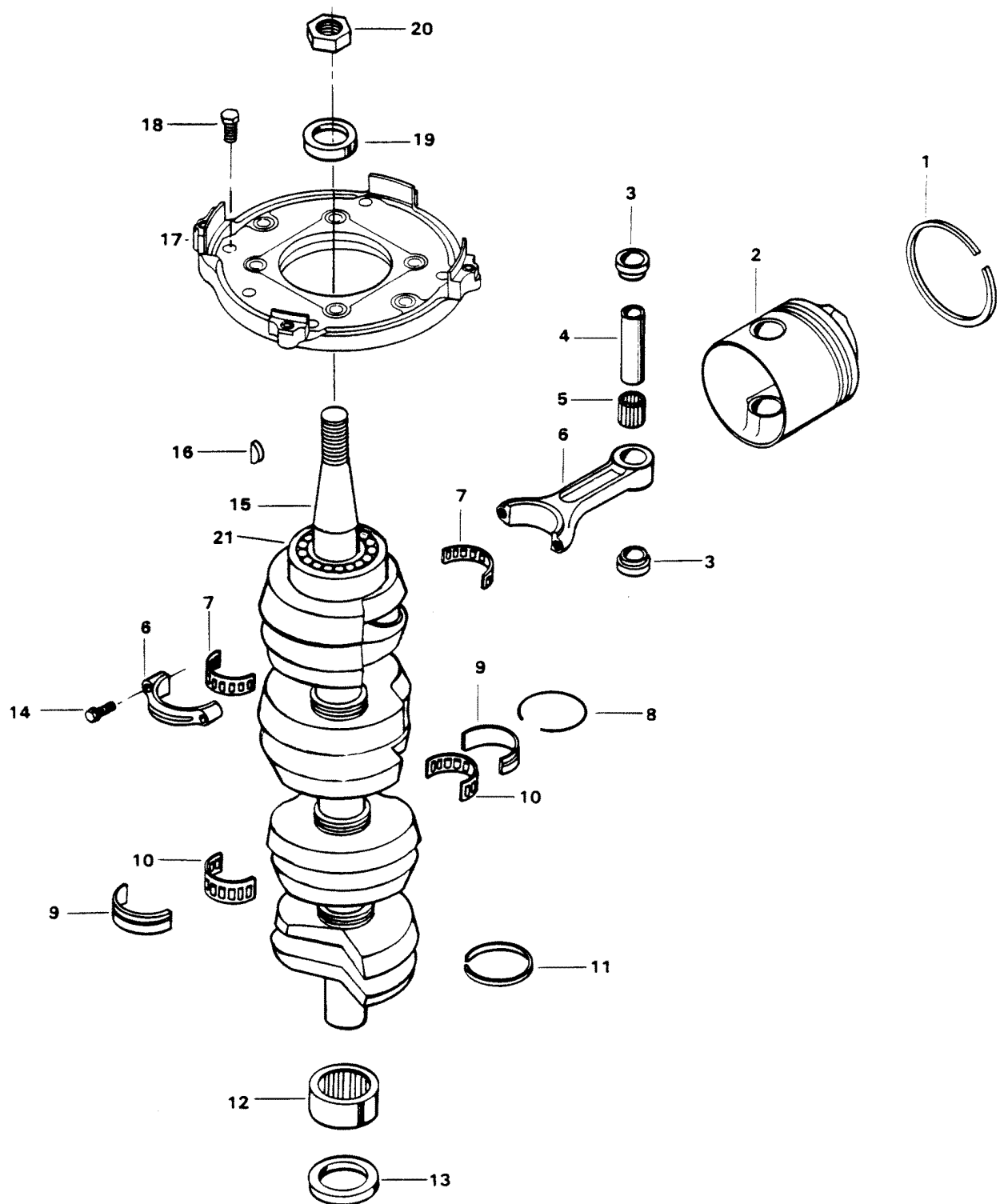
POWER HEAD



POWER HEAD

REF. NO.	PART NO.	SYM.	QTY.	DESCRIPTION
82	F2008		4	HEX CAP SCREW, 1/4 - 20 X 7/8
83	33-818007--1		4	SPARK PLUG (CHAMPION UL18V) - USA
85	F8056		1	LOCKWASHER
86	F1647		1	HEX NUT, 8 - 32
87	F476067		1	GASKET
88	F528068		1	THERMOSTAT
89	F84504		1	GROMMET (THERMOSTAT)
90	F476066-1		1	THERMOSTAT COVER
91	F1504		2	FILL HD. SCREW, 1/4 - 20 X 1-1/4
92	F1107		2	SLOTTED FILL HD. CAP SCREW, 1/4 - 20 X 3/4
93	FC529398		1	DECAL, WIRING
94	F1699		27	HEX BOLT, 1/4 - 20 X 1-1/8
95	F372152-2		1	EXHAUST PORT COVER
96	F372154-1		2	GASKET, EXHAUST PORT PLATE
97	F372151-1		1	EXHAUST PORT PLATE
98	F1950		2	HEX CAP SCREW, 10 - 24 X 5/8
99	F438066		1	BY-PASS VALVE COVER
100	F85762		1	BY-PASS VALVE COVER GASKET
101	F404268		1	BY-PASS VALVE SPRING
102	F85916-1		1	BY-PASS VALVE
103	FG1019		1	GASKET SET INCLUDES ALL ITEMS MARKED WITH A *
-	F40223		4	TRANSFER PORT COVER GASKET
-	F84472-5		2	CYLINDER DRAIN COVER GASKET
-	F84748-3		2	CYLINDER DRAIN REED PLATE GASKET
-	F85279-2		1	CYLINDER EXHAUST UPPER GASKET
-	F85762		1	BY-PASS COVER GASKET
-	F85906		2	CARBURETOR GASKET
-	F178168-1		2	CARBURETOR ADAPTER GASKET
-	F184122-1		1	SEAL
-	F372154-1		2	EXHAUST PLATE GASKET
-	F406406		2	DEFLECTOR PLATE GASKET
-	F440906		2	CARBURETOR GASKET
-	F476067		1	THERMOSTAT COVER GASKET
-	F476529-1		1	CYLINDER HEAD GASKET
104	F2000		1	HEX CAP SCREW, 5/16 - 18 3/4
105	F8096		1	SPRING LOCKWASHER
106	F1532		2	HEX HD. SCREW, 1/4 - 20 X 1
107	F7009		1	LOCK NUT, #10 - 24
108	FA607689		2	BEARING TOWERSHAFT WILLUS. 23
109	F491689-1		1	BEARING TOWERSHAFT UPPER

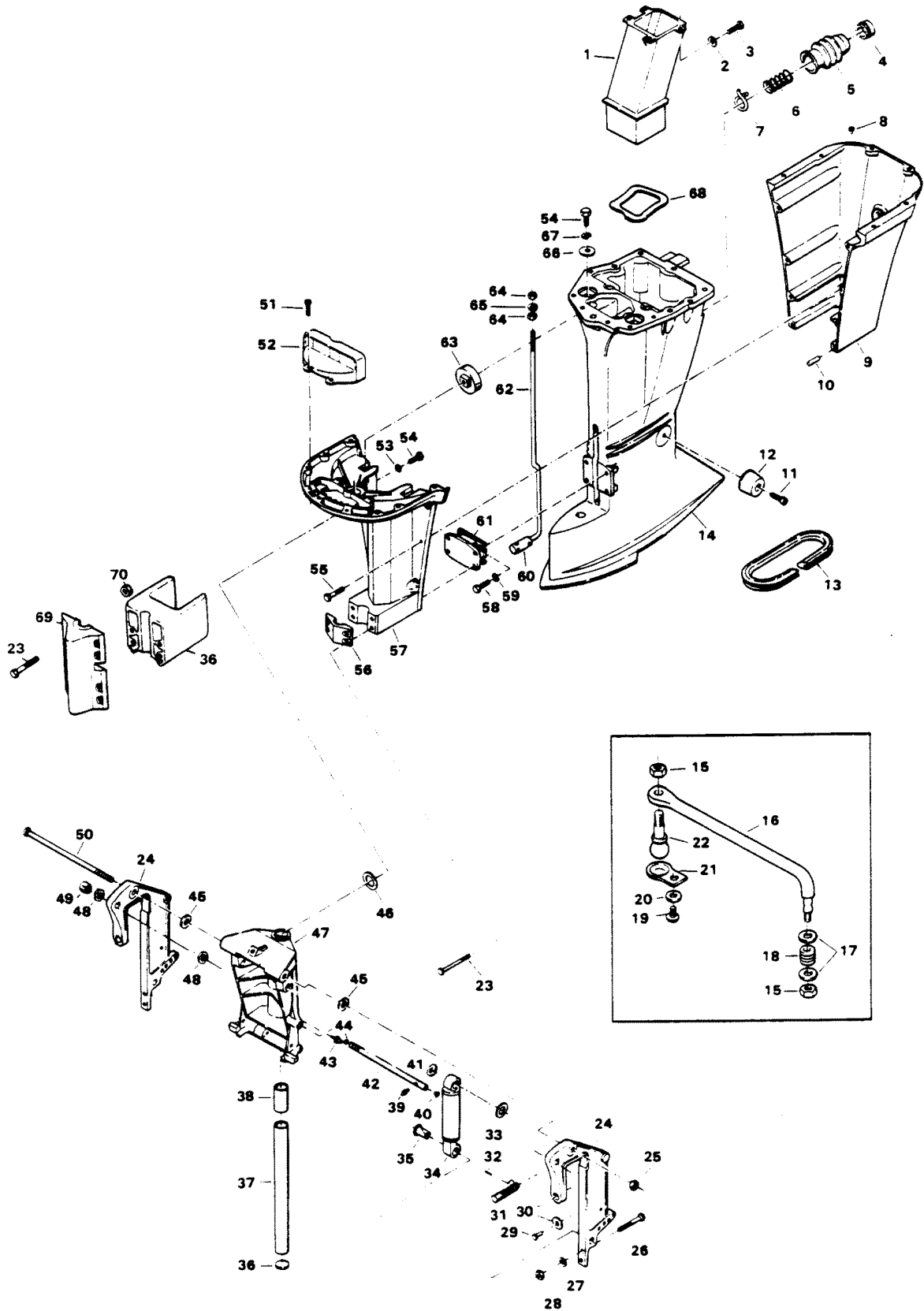
CRANKSHAFT AND PISTON GROUP



CRANKSHAFT AND PISTON GROUP

REF. NO.	PART NO.	SYM.	QTY.	DESCRIPTION
1	FA335260		4	PISTON RING SET (2 PER SET) - STANDARD
-	FSA335260		4	PISTON RING (2 PER SET) .010 OVERSIZE
-	39-818110A1		4	PISTON RING (2 PER SET) .030 OVERSIZE
2	700-F372015-3		4	PISTON - STANDARD
-	700-817988A2		4	PISTON .010 OVERSIZE
-	700-818111A2		4	PISTON .030 OVERSIZE
3	F335215		8	SPACER, PISTON PIN (2 PER PISTON)
4	F85017		4	PISTON PIN
5	F335217-1		4	BEARING, PISTON PIN (26 PER SET)
6	600-818052A4		4	CONNECTING ROD W/CAP ILLUS. 14 ORIGINAL FORCE P/N S 366016-4
7	FK85228-1		4	BEARING CAGE W/ROLLER
8	F85410		3	SNAP RING
9	FA85655-1		3	CRANKSHAFT MAIN BEARING RACE W/SNAP RING
10	F85571		3	BEARING CAGE W/ROLLER
11	F316579		3	SEAL, CRANKCASE
12	FA523014		1	CRANKSHAFT LOWER MAIN BEARING W/ILLUS. 13
13	F523146-1		1	SEAL, CRANKSHAFT LOWER
14	F85634-2		8	CONNECTING ROD SCREW
15	FA528018		1	CRANKSHAFT W/ILLUS. 21
16	F85498		1	FLYWHEEL KEY
17	F2A615144		1	CRANKSHAFT BEARING CAGE W/ILLUS. 19
18	F2081		5	HEX SOC. HD. SCREW, 1/4 - 20 X 3/4
19	F523146-1		1	SEAL
20	F1968		1	FLYWHEEL NUT
21	F284659-2		1	BEARING, CRANKSHAFT UPPER MAIN
-	F2067		1	PLASTISOL CAP (NOT SHOWN) FOR EXPOSED THREADS OF CRANKSHAFT

MOTOR LEG

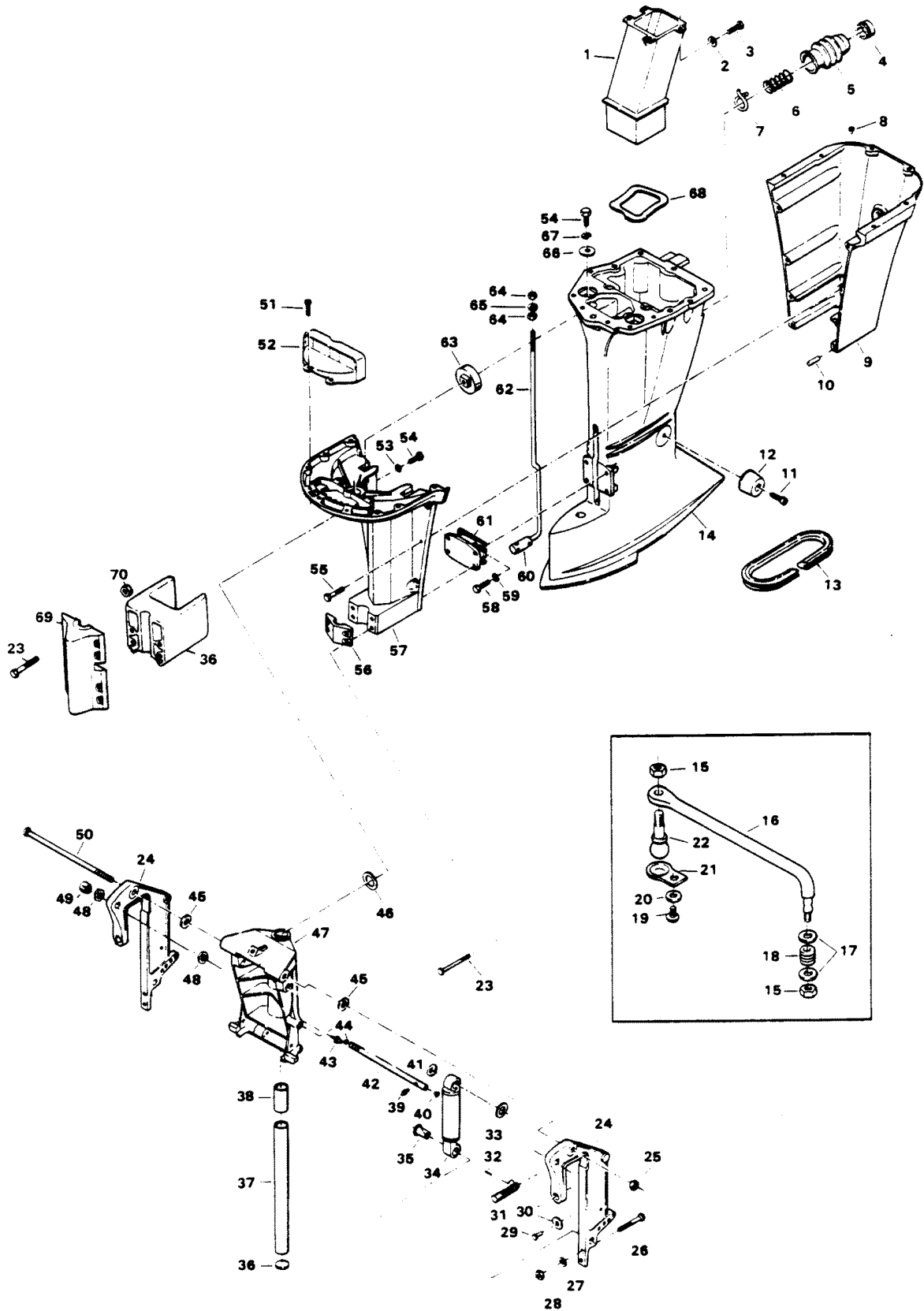


MOTOR LEG

REF. NO.	PART NO.	SYM.	QTY.	DESCRIPTION
1	F85660-1		1	EXHAUST TUBE
2	F8083		4	SPRING LOCKWASHER
3	F1864		4	HEX SLOT HD SCREW, 1/4 - 20 X 3/4
4	F85258		1	INSERT
5	F85130		1	BOOT IDLE EXHAUST
6	F85380		1	SPRING
7	F85772		1	CLAMP
8	F1729		2	PLUG
9	F178145-3		1	MOTOR LEG COVER REAR
10	F1664		2	SPRING PIN
11	F1263		2	HEX SOCKET HD CAP SCREWS, 5/16 - 18 X 9/16
12	F438962		2	SHOCK MOUNT LOWER REAR
13	F178323		1	SEAL, MOTOR LEG
14	F523133-2		1	MOTOR LEG (1258X3A, 1258XC3A, 1258X4A, 1258XC4A, 1258F4A, 1258FC4A)
-	F500133		1	MOTOR LEG (1251X3A, 1251XC3A, 1251X4A, 1251XC4A, 1251F4A, 1251FC4A)
15	F2093		2	STOP NUT, 3/8 - 24
17	F8038		2	PLAIN WASHER
18	F523300-1		1	SPRING
19	F1280		1	PAN HD SCREW, 8 - 32 X 1/4
20	F8080		1	SPRING LOCKWASHER
21	F523930		1	RETAINER
22	F523273		1	STEERING BALL STUD
23	F1696		8	HEX BOLT, 5/16 - 18 X 1-3/4
24	1400-817958A6		2	STERN BRACKET
25	F7012		1	STOP NUT
26	F1593		2	HEX HD SCREW, 3/8 - 16 X 3
27	F1904		2	PLAIN WASHER
28	F1346		2	HEX NUT
29	F353480		2	STUD
30	F84074		2	CLAMP SCREW FOOT
31	F474073-1		2	CLAMP SCREW
32	F8538		2	SPRING PIN
33	F1710		2	PLAIN WASHER
34	FA178962		1	SHOCK ABSORBER W/ BUSHING - 178344
35	F178362		2	BEARING
36	F500707		1	COVER SHOCK MT. LOWER (1251X3A, 1251SC3A, 1251X4A, 1251XC4A, 1251F4A, 1251FC4A)
37	FS85019		1	KINGPIN (1258X3A, 1258XC3A, 1258X4A, 1258XC4A, 1258F4A, 1258FC4A)
-	FA500019		1	KINGPIN (1251X3A, 1251XC3A, 1251X4A, 1251XC4A, 1251F4A, 1251FC4A)
38	F438169		2	BEARING

CONTINUED ON NEXT PAGE ➡

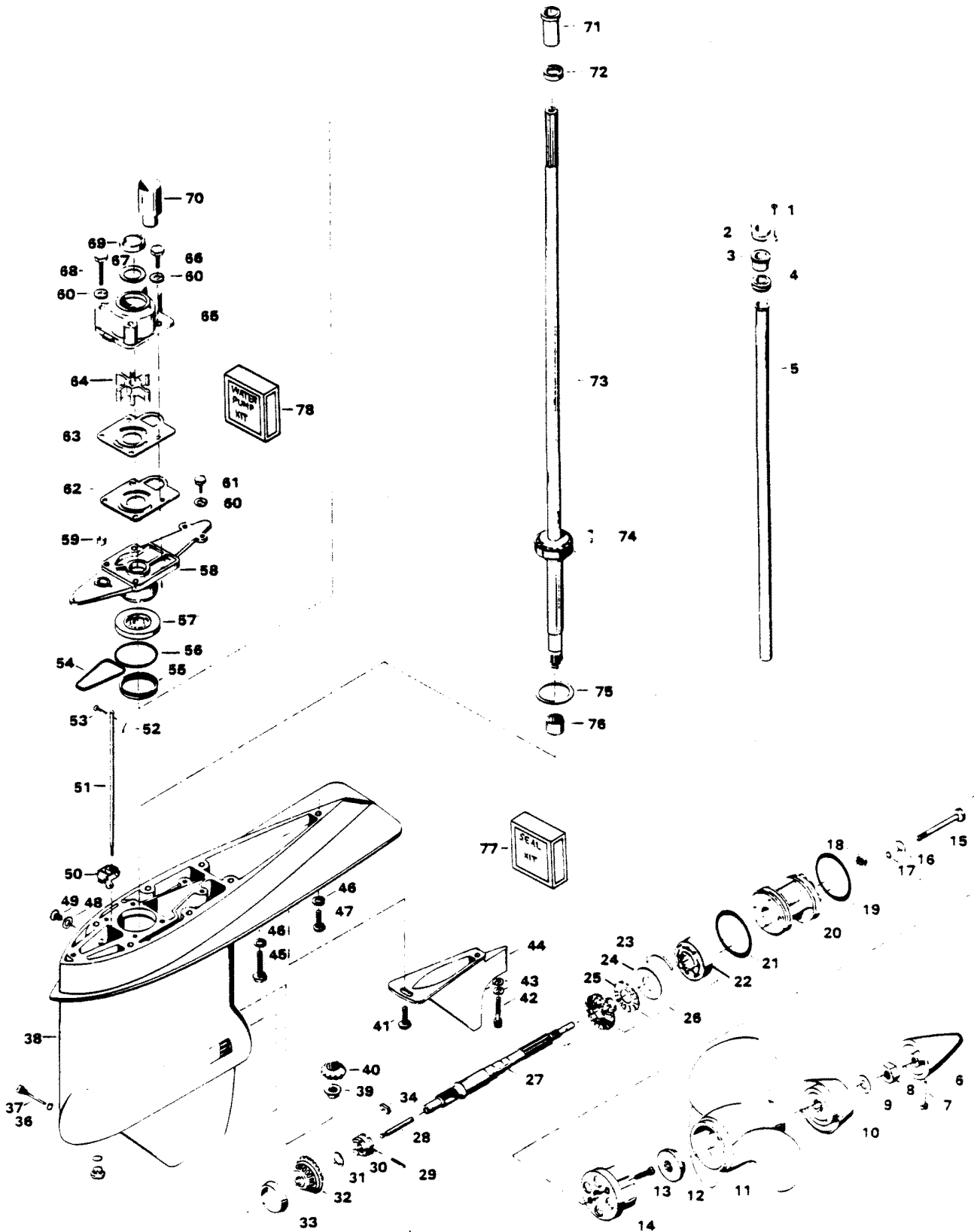
MOTOR LEG



MOTOR LEG

REF. NO.	PART NO.	SYM.	QTY.	DESCRIPTION
39	F523274		1	GREASE FITTING
40	F9052		1	PLUG
41	F1711		2	SPRING BOWED WASHER
42	F511125-2		1	TUBE, STEERING SUPPORT
43	F213274		3	GREASE FITTING
44	F316599		1	SEAL, STEERING SUPPORT TUBE
45	F84286-1		4	FRICTION WASHER
46	F84011		1	WASHER
47	817783A5		1	SWIVEL BRACKET W/ILLUS. 38 AND 43 ORIGINAL FORCE P/N A 369072-2
48	F523280		2	NUT, STEERING SUPPORT TUBE
49	F9018		1	CAP
50	F85037-1		1	STERN BRACKET PIVOT BOLT
51	F1912		4	HEX HD SCREW, 10 - 24 X 1/2
52	F85779-1		1	BAFFLE, AIR INTAKE
53	F1703		2	SPRING LOCKWASHER
54	F1871		4	HEX HD SCREW, 3/8 - 16 X 3/4
55	F2030		6	HEX HD SCREW, 1/4 - 20 X 1-1/4
56	F85606		1	KINGPIN CAP (1258X3A, 1258XC3A, 1258X4A, 1258F4A, 1258XC4A, 1258FC4A)
57	FA85135-4		1	LEG COVER FRONT W/ILLUS. 55
58	F1822		4	HEX BOLT, 5/16 - 18 X 7/8
59	F8096		4	SPRING LOCKWASHER
60	F85704		1	COUPLER, GEAR SHIFT ROD
61	F438346		1	SHOCK MOUNT LOWER
62	F85615		1	GEAR SHIFT ROD UPPER (1258X3A, 1258XC3A, 1258X4A, 1258XC4A, 1258F4A, 1258FC4A)
-	F500615		1	GEAR SHIFT ROD UPPER (1251X3A, 1251XC3A, 1251X4A, 1251XC4A, 1251F4A, 1251FC4A)
63	F85965		2	SHOCK MOUNT UPPER
64	F2108		2	LOCK NUT
65	F1987		1	PLAIN WASHER
66	FA85355-1		2	WASHER (SET OF 2 SHOCK MOUNT WASHERS W/ILLUS. 67)
67	F2014		2	PLAIN WASHER
68	F439736		1	SEAL, EXHAUST TUBE
69	F500606		1	KINGPIN CAP (1251X3A, 1251XC3A, 1251X4A, 1251XC4A, 1251F4A, 1251FC4A)
70	F1515		4	HEX NUT 5/16 - 18

GEAR HOUSING

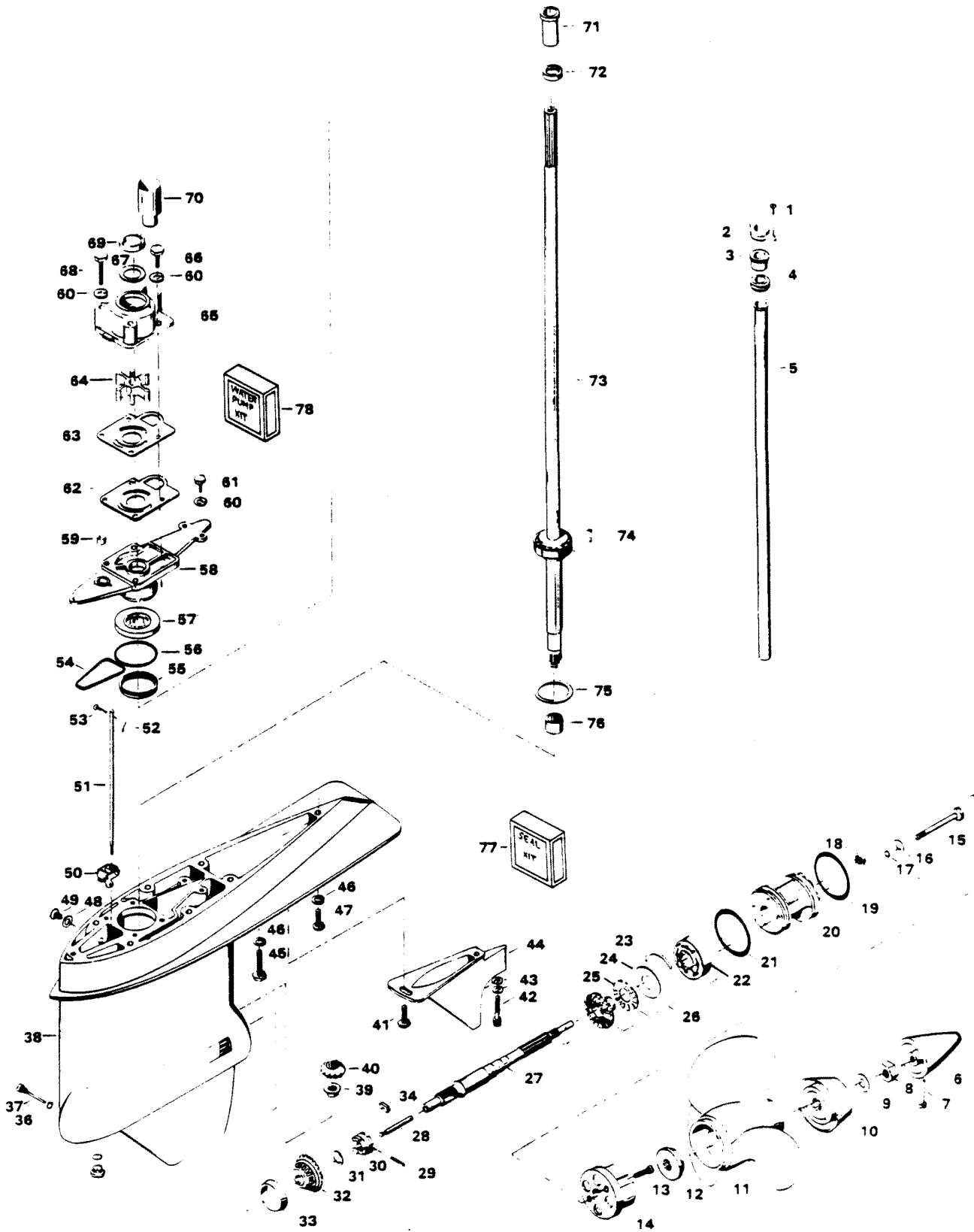


GEAR HOUSING

REF. NO.	PART NO.	SYM.	QTY.	DESCRIPTION
1	F1705		2	HEX CAP SCREW, 1/4 - 20 X 3/4
2	F85117		1	BRACKET, WATER LINE
3	F84342		1	SEAL, INLET WATER LINE, UPPER
4	F523899		1	GROMMET, WATER LINE
5	F523244		1	INLET WATER LINE (1258X3A, 1258XC3A, 1258X4A, 1258XC4A, 1258F4A, 1258FC4A)
-	F500244		1	INLET WATER LINE (1251X3A, 1251XC3A, 1251X4A, 1251XC4A, 1251F4A, 1251FC4A)
6	F523094-2		1	PROPELLER NUT
7	F498891		1	PIN, PROPELLER NUT RETAINING
8	F1788		1	STOP NUT
9	F1866		1	PLAIN WASHER
10	F5H119		1	WASHER (ACCESSORY ITEM)
11	FPS524		1	PROPELLER (ACCESSORY ITEM)
12	F523099-1		1	SPACER, PROPELLER
13	F1577		2	FILL HD SCREW, 1/4 - 20 X 3/4
14	FA523485		1	ANTICORROSION ANODE W/ LITERATURE
15	F1885		4	HEX CAP SCREW, 5/16 - 18 X 4-1/4
16	F1907		4	PLAIN WASHER
17	F50342-1		4	SEAL, O-RING
18	F506118		1	SEAL, PROPELLER SHAFT
19	F24278		1	SEAL, O-RING PROPELLER SHAFT SPOOL
20	F2A523239		1	SPOOL, PROPELLER SHAFT BEARING W/ILLUS. 9
21	F84305		1	SEAL, O-RING PROPELLER SHAFT SPOOL
22	FA523136		1	CAGE, REAR
23	F523411		2	RETAINING RING, BEARING CAGE
24	F2117		A/R	SPACER, BEVEL GEAR REAR
-	F2118		A/R	SPACER, BEVEL GEAR REAR
-	F2119		A/R	SPACER, BEVEL GEAR REAR
-	F2120		A/R	SPACER, BEVEL GEAR REAR
25	F523901		1	BEARING, BEVEL GEAR REAR
26	F2A523662		1	BEVEL GEAR REAR W/ BEARING CAGE SPACER AND BEARING
27	FA523098		1	PROPELLER SHAFT
28	F84871-1		1	PIN, GEAR SHIFT W/ YOKE
29	F1713		1	SPRING PIN
30	F84521-2		1	CLUTCH
31	F1936		A/R	SPACER, BEVEL GEAR FRONT, SIZE .059
-	F1937		A/R	SPACER, BEVEL GEAR FRONT, SIZE .062
-	F1938		A/R	SPACER, BEVEL GEAR FRONT, SIZE .065
-	F1939		A/R	SPACER, BEVEL GEAR FRONT, SIZE .068
-	F1940		A/R	SPACER, BEVEL GEAR FRONT, SIZE .071
-	F1941		A/R	SPACER, BEVEL GEAR FRONT, SIZE .074
-	F1942		A/R	SPACER, BEVEL GEAR FRONT, SIZE .077

CONTINUED ON NEXT PAGE ➡

GEAR HOUSING

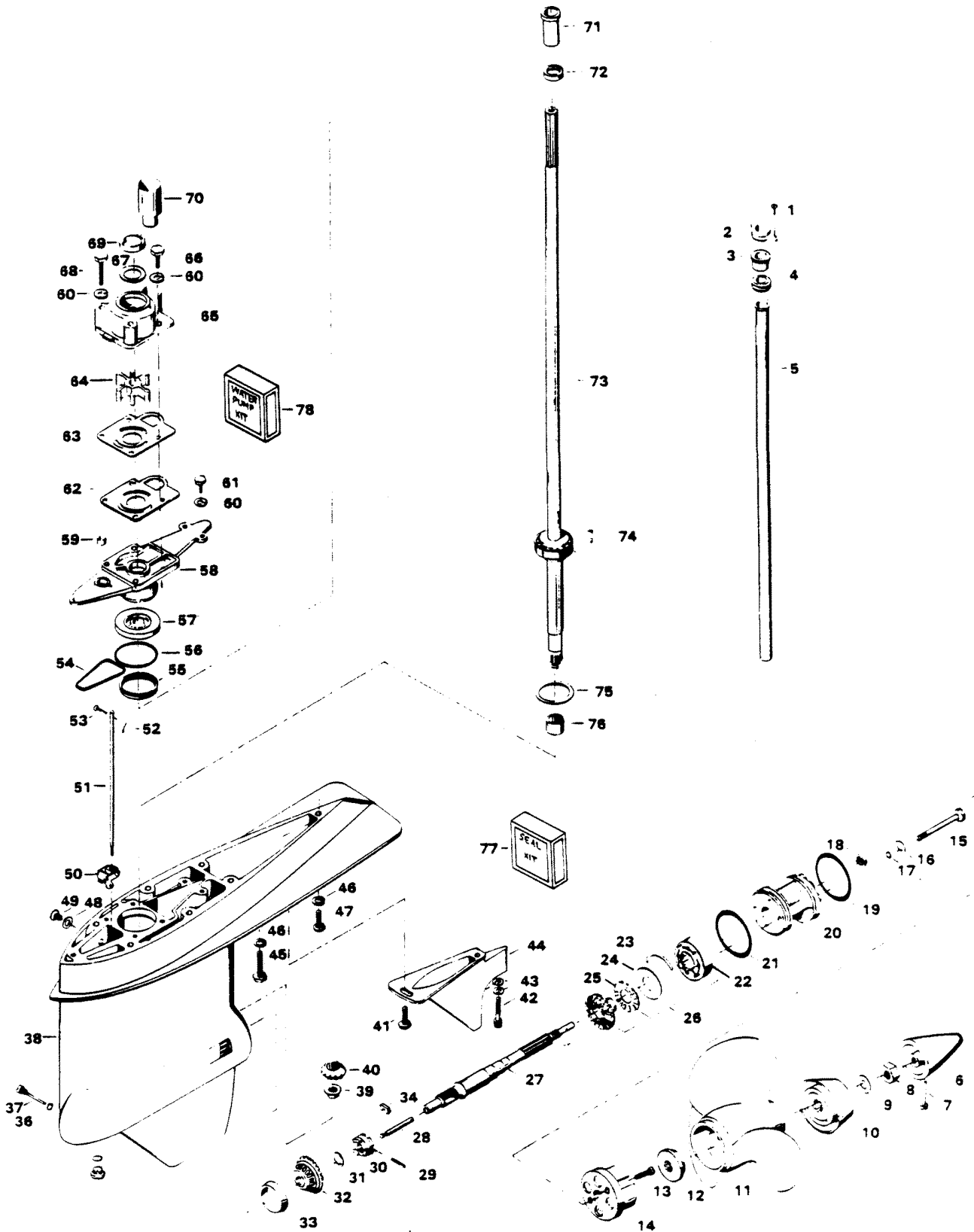


GEAR HOUSING

REF. NO.	PART NO.	SYM.	QTY.	DESCRIPTION
-	F2113		A/R	SPACER, BEVEL GEAR FRONT, SIZE .080
-	F2114		A/R	SPACER, BEVEL GEAR FRONT, SIZE .083
-	F2115		A/R	SPACER, BEVEL GEAR FRONT, SIZE .086
-	F2116		A/R	SPACER, BEVEL GEAR FRONT, SIZE .089
-	F2121		A/R	SPACER, BEVEL GEAR FRONT, SIZE .057
-	F2122		A/R	SPACER, BEVEL GEAR FRONT, SIZE .054
32	43-818068A2		1	BEVEL GEAR FRONT W/ BEARING AND SHIMS
33	F523813		1	BEARING CUP
34	F90619-1		1	YOKE
36	F498618		1	O-RING
37	F498891		1	PIN, GEAR SHIFT ARM
38	FA523054		1	GEAR HOUSING W/ILLUS. 29, 30, 42, 43 AND 65
39	F523188		1	NUT, BEVEL PINION
40	43-817854A2		1	BEVEL OPINION GEAR W/ILLUS. 49 AND 66 ORIGINAL FORCE P/N A 523266-2
41	F438930		1	RETAINER, SNOUT
42	F1994		1	HEX SOCKET HD CAP SCREW, 5/16 - 18 X 1
43	F1856		2	PLAIN WASHER
44	F523116-1		1	EXHAUST SNOUT
45	F1491		6	HEX HD SCREW, 5/16 - 18 X 3/4
46	F8096		7	SPRING LOCKWASHER
47	F1858		1	HEX CAP SCREW, 5/16 - 18 X 11
48	F8077		3	WASHER, GEAR HOUSING PLUG
49	F50109		3	PLUG, GEAR HOUSING
50	FA84621-1		1	COUPLING, GEAR SHIFT ARM W/ BUSHING
51	F523705		1	GEAR SHIFT ROD LOWER
52	F1015		1	COTTER PIN
53	F85372		1	PIN, GEAR SHIFT ROD LOWER
54	F523555		1	SEAL, O-RING, GEAR HOUSING COVER
55	F523961		1	CRUSH RING
56	F74305		1	SEAL, DRIVESHAFT BEARING CAGE
57	F506118		1	SEAL, DRIVESHAFT
58	F2A550706		1	GEAR HOUSING COVER W/ILLUS. 51 AND 53
59	F338618-1		1	SEAL, GEAR SHIFT ROD
60	F8083		7	SPRING LOCKWASHER
61	F2008		3	HEX CAP SCREW, 1/4 - 20 X 7/8
62	F523031		1	GASKET, WATER PUMP
63	F523562		1	PLATE, WATER PUMP
64	F523065-1		1	IMPELLER, WATER PUMP
65	46-817853A1		1	WATER PUMP BODY W/ILLUS. 61, 63 AND 64 ORIGINAL FORCE P/N A 523060-1
66	F1990		2	HEX CAP SCREW, 1/4 - 20 X 1-5/8
67	F480388		1	DISC, WATER PUMP LOCATING
68	F1425		2	HEX CAP SCREW, 1/4 - 20 X 2-5/8

CONTINUED ON NEXT PAGE ➡

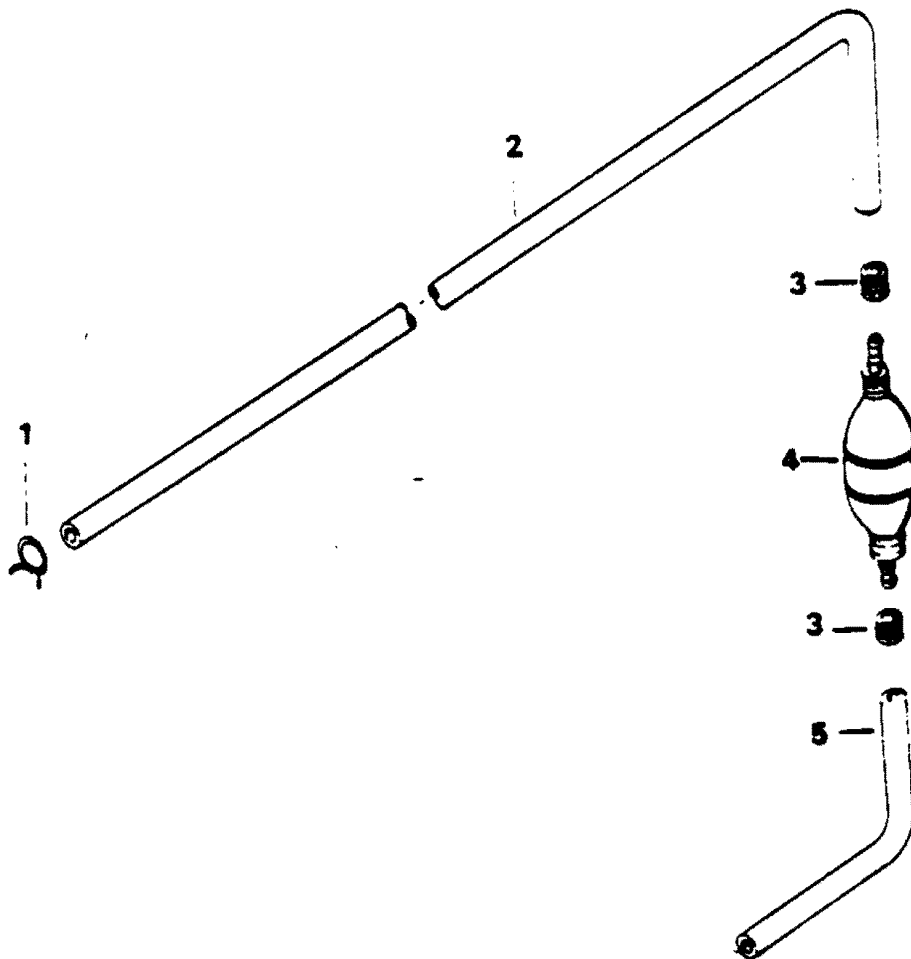
GEAR HOUSING



GEAR HOUSING

REF. NO.	PART NO.	SYM.	QTY.	DESCRIPTION
69	F351307		1	SEAL, DRIVESHAFT - WATER PUMP
70	FA523735		1	SEAL, INLET WATER LINE, LOWER W/ LITERATURE
71	F438129		1	SEAL, DRIVESHAFT SPLINE
72	F438271		1	RETAINER, CRANKSHAFT SPLINE SEAL
73	FK616128		1	DRIVESHAFT W/ BEARING ILLUS. 75 AND 55 (1258X3A, 1258XC3A, 1258X4A, 1258XC4A, 1258F4A, 1258FC4A)
-	45-817961A6		1	DRIVESHAFT W/ BEARING ILLUS. 75 AND 55 (1251X3A, 1251XC3A, 1251X4A, 1251XC4A, 1251F4A, 1251FC4A) ORIGINAL FORCE P/N K 500128-2
74	F523498		1	DRIVE KEY, WATER PUMP
75	F9106		A/R	SHIM, DRIVESHAFT BEARING, UPPER .003 BRASS
-	F9095		A/R	SHIM, DRIVESHAFT BEARING, UPPER .005 SILVER
-	F9097		A/R	SHIM, DRIVESHAFT BEARING, UPPER .010 BLACK
76	F523057		1	BEARING, DRIVESHAFT LOWER
77	FK1063-2		1	SEAL KIT (INCLUDES ITEMS MARKED WITH A *)
-	F50342-1		4	SEAL, BEARING CAGE BOLT
-	F506118		1	SEAL, PROPELLER SHAFT
-	F24278		1	SEAL, PROPELLER SHAFT SPOOL
-	F84305		1	SEAL, PROPELLER SHAFT SPOOL
-	F498618		1	SEAL, GEARSHIFT ARM PIN
-	F8077		3	WASHER
-	F523555		1	SEAL, GEAR HOUSING COVER
-	F74305		1	SEAL, GEAR HOUSING COVER
-	F84307-1		1	SEAL, DRIVESHAFT
-	F338618-1		1	SEAL, GEAR SHIFT ROD
78	FK1069		1	WATER PUMP KIT (INCLUDES ITEMS MARKED WITH **)
-	F1425		2	HEX CAP SC, 1/4 - 20 X 5/8
-	F1990		2	HEX CAP SCREW
-	F8083		4	SPRING LOCKWASHER
-	F523031		1	GASKET, WATER PUMP
-	F523065-1		1	IMPELLER
-	F523498		1	KEY
-	F523562		1	PLATE, WATER PUMP
-	46-817853A1		1	WATER PUMP
-	1600-819196A3		0	GEAR HOUSING COMPLETE. INCLUDES ALL ITEMS MARKED WITH AN ASTERISK (*) FOR MODELS (1258X3A, 1258XC3A, 1258X4A, 1258XC4A, 1258F4A, 1258FC4A) ORIGINAL FORCE P/N C555054-1
-	FC552054		0	GEAR HOUSING COMPLETE. INCLUDES ALL ITEMS MARKED WITH AN ASTERISK (*) FOR MODELS (1251X3A, 1251XC3A, 1251X4A, 1251XC4A, 1251F4A, 1251FC4A)

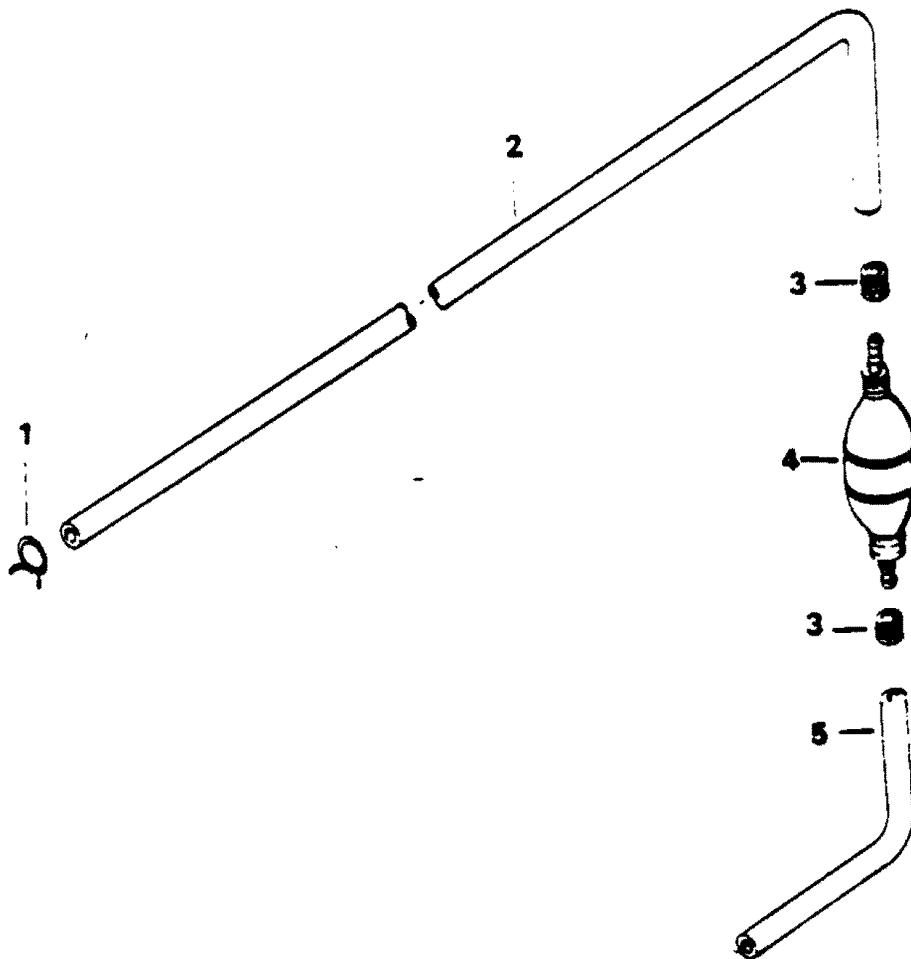
FUEL LINE



FUEL LINE

REF. NO.	PART NO.	SYM.	QTY.	DESCRIPTION
1	F97772		1	FUEL LINE CLAMP
2	32-817738A1		1	FUEL LINE W/ILLUS. 7 (QTY. 1) AND 11 10 FT. (CUT AS REQUIRED) ORIGINAL FORCE P/N A 197752-1
3	F298788		2	FERRULE
4	89396A38		1	PRIME BULB
5	FA84754-1		1	FUEL LINE SHORT W/ FERRULES
-	FA599752		1	FUEL LINE COMPLETE. INCLUDES ALL ITEMS MARKED WITH AN ASTERISK (*)

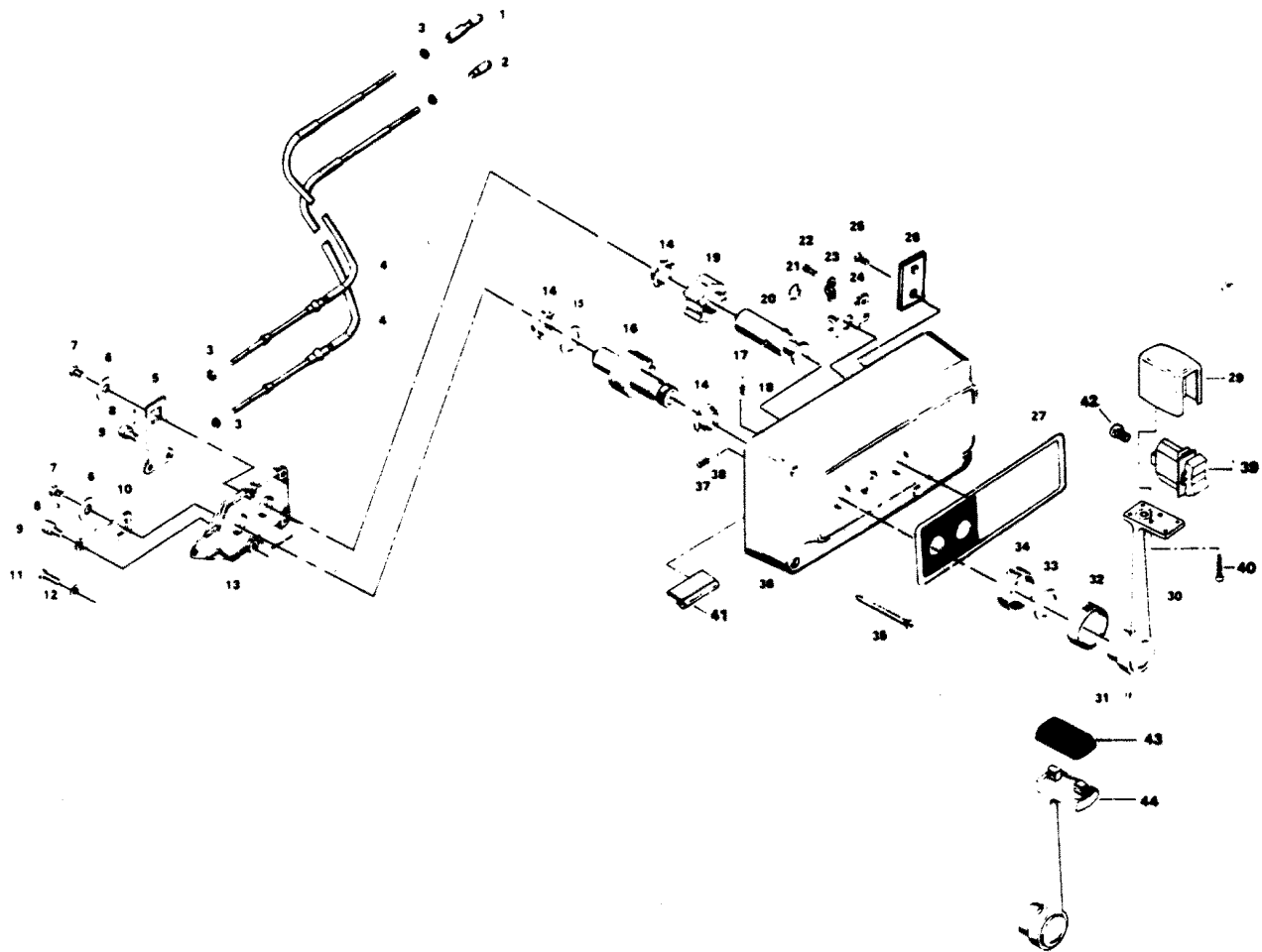
FUEL TANK AND LINE



FUEL TANK AND LINE

REF. NO.	PART NO.	SYM.	QTY.	DESCRIPTION
1	F409251-1		1	GAUGE CAP
2	F5H026		1	FUEL TANK (ACCESSORY ITEM) W/ILLUS. 1 AND 3
3	F485755-1		1	FUEL TANK ADAPTER
4	F17816		1	SEAL, FUEL LINE COUPLER (LARGE)
5	F17815		1	SEAL, FUEL LINE COUPLER (SMALL)
6	F197787-3		1	FUEL LINE COUPLER
7	F298788		3	FERRULE
8	FA84754-1		1	FUEL LINE SHORT W/ FERRULES
9	89396A38		1	PRIME BULB
10	32-817738A1		1	FUEL LINE LONG W/ILLUS. 7 AND 11 ORIGINAL FORCE P/N A 197752-1
11	F97772		1	FUEL LINE CLAMP
12	F17817		1	SEAL, FUEL TANK ADAPTER
-	FS409752		1	FUEL LINE COMPLETE. INCLUDES ALL ITEMS MARKED WITH AN ASTERISK (*)

REMOTE CONTROL

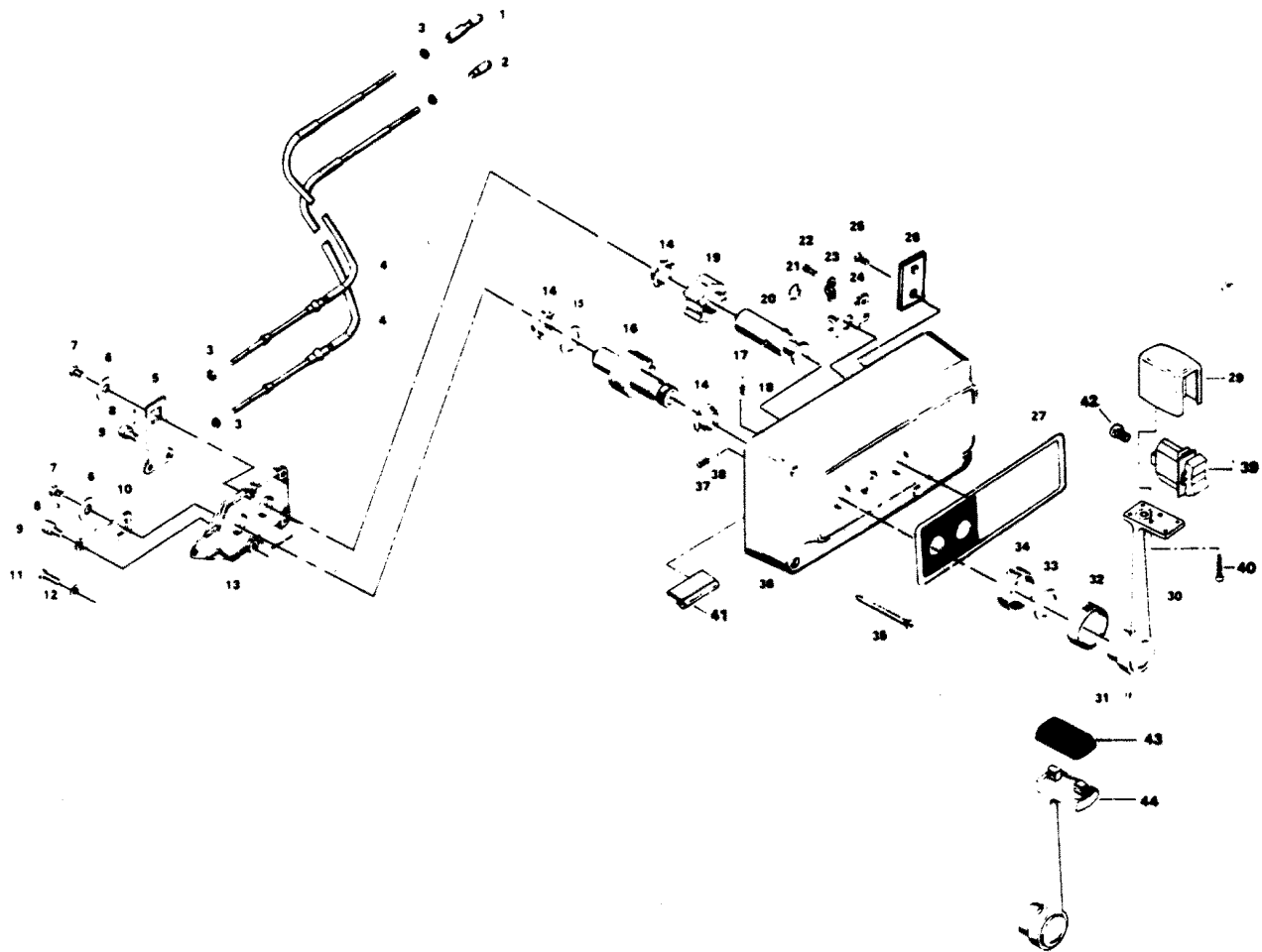


REMOTE CONTROL

REF. NO.	PART NO.	SYM.	QTY.	DESCRIPTION
1	FA58976-1		1	CONNECTOR, THROTTLE CABLE
2	F58685-2		1	CONNECTOR, SHIFT CABLE
3	F1513		4	HEX NUT
4	F195/___		1	REMOTE CONTROL CABLE (SPECIFY LENGTH) ACCESSORY ITEM (2 PER SET)
5	F17019		1	CLUTCH ARM
6	F17036		2	INTERNAL TOOTH LOCKWASHER
7	F17155		2	HEX BOLT, 1/4 - 28 X 1/2
8	F17149		2	COTTER PIN
9	F17016		2	CABLE TERMINAL
10	F17014		1	THROTTLE ARM
11	F17013		2	FILL HD SCREW, 1/4 - 20 X 1/2
12	F8061		2	INTERNAL TOOTH LOCKWASHER
13	F17012		1	RETAINING PLATE
14	F17009		3	BEARING
15	F17011		1	BOWED WASHER
16	F17010-1		1	THROTTLE GEAR
17	F17111		1	DETENT BALL
18	F17006		1	DETENT SPRING
19	F17021		1	CLUTCH GEAR
20	F17100		1	CLUTCH SHAFT
21	F17092		1	SNAP RING
22	F17071		2	FILL HD SCREW, 10 - 24 X 5/16
23	F154317		1	CABLE CLAMP
24	F17026		1	SWIVEL
25	F17141		2	ROUND HD SCREW, 10 - 24 X 3/8
26	F17153		1	RETAINER PLATE
27	F580892-2		1	DECAL,
29	F448543		1	KNOB
30	F448611-1		1	LEVER
31	F455690		1	SET SCREW
32	F449894		1	INDICATOR
33	F17105		1	FELT WASHER
34	F17106		1	COLLAR
35	F17154		3	WOOD SCREW
36	F17099-1		1	HOUSING
37	F17157		1	DETENT SPRING
38	F17082-1		1	DETENT BALL
39	F455449		1	SWITCH, TRIM
40	F1461		2	SCREW #6 X 7/8
41	F448446		1	CLAMP, TRIM SWITCH CABLE

CONTINUED ON NEXT PAGE ➡

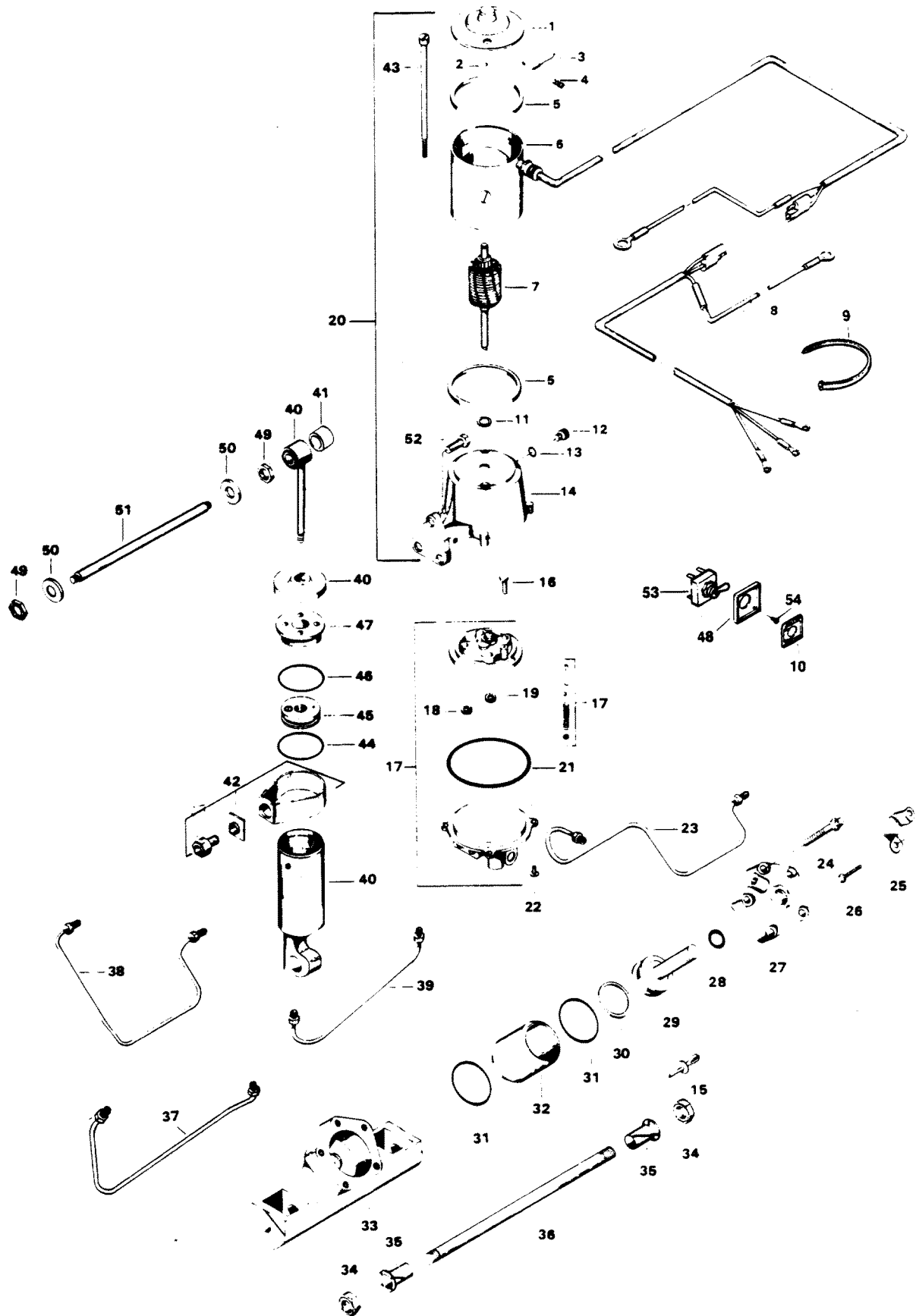
REMOTE CONTROL



REMOTE CONTROL

REF. NO.	PART NO.	SYM.	QTY.	DESCRIPTION
-	F1280		2	PAN HD SCREW, 8 - 32 X 1/4 (TERMINAL BOARD) (NOT SHOWN)
-	FK17156		1	BAG ASSEMBLY (NOT SHOWN). INCLUDES ITEMS MARKED WITH AN ASTERISK (*)
42	F1280		3	PAN HD SCREW, 8 - 32 X 1/4
43	F17116		1	KNOB
44	F17115-1		1	HANDLE

POWER TRIM UNIT

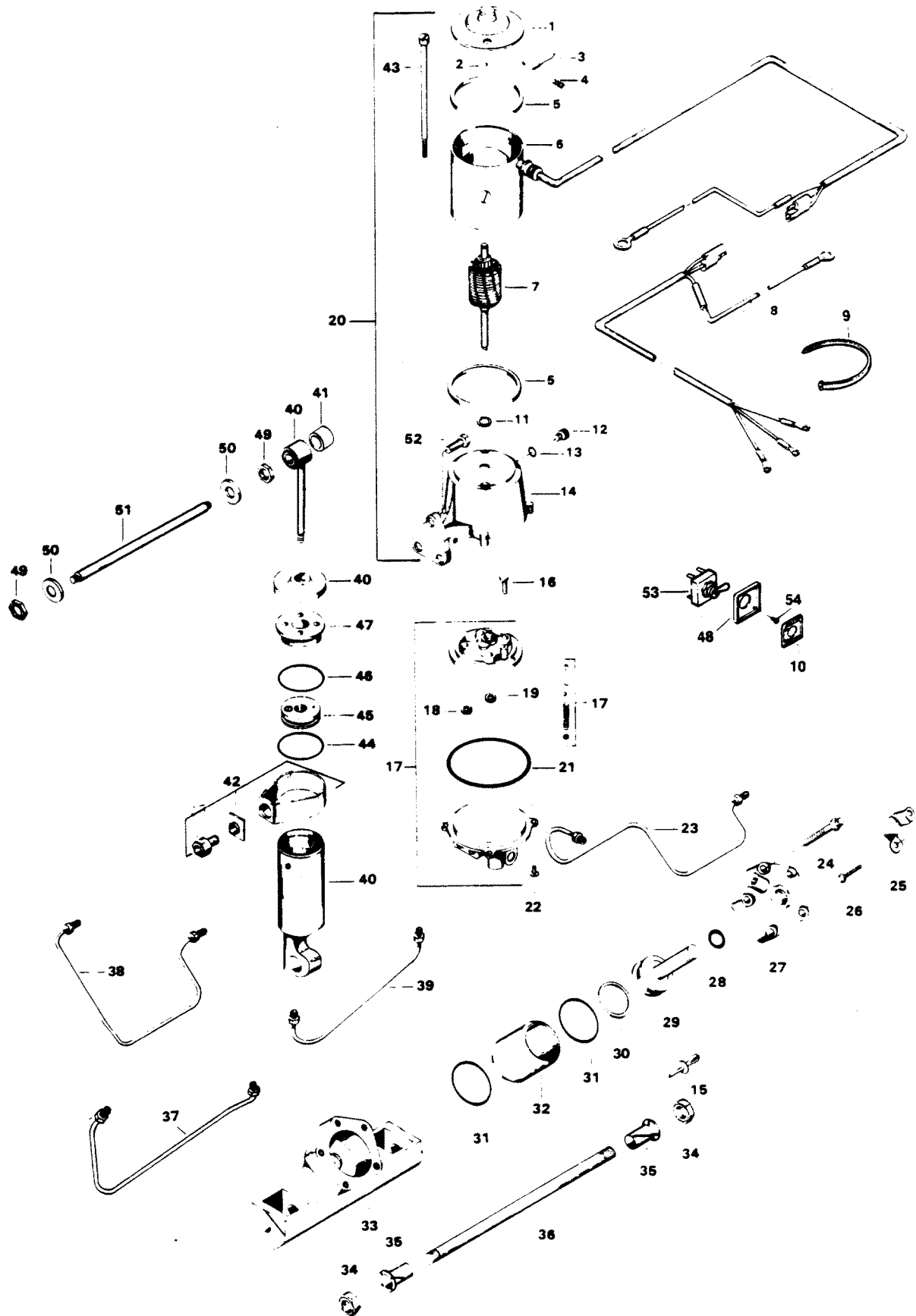


POWER TRIM UNIT

REF. NO.	PART NO.	SYM.	QTY.	DESCRIPTION
1	F17543		1	HEAD ASSEMBLY, COMMUTATOR END
2	F17539		1	BALL
3	F17504		1	BRUSH SET
4	F17500		1	SPRING SET
5	F17557		2	GASKET
6	F17556		1	FIELD AND FRAME ASSEMBLY
7	F17555		1	ARMATURE
8	F449843		1	CABLE
9	F1877		4	TY-RAP
10	F449181		1	PLATE, TRIM SWITCH
11	F17508		A/R	THRUST WASHER
12	F17518		1	FILLER CAP
13	F17510		1	O-RING
14	F17505		1	RESERVOIR AND BRACKET W/ SEAL
15	F1966		1	PLUG, SWIVEL BRACKET
16	F1203		1	HEX CAP SCREW, 1/4 - 20 X 7/8
17	F17564		1	VALVE BODY AND PUMP W/ILLUS. 16, 18, 19 AND 21
18	F17566		1	IDLE GEAR
19	F17565		1	DRIVE GEAR
20	F17563		1	MOTOR AND RESERVOIR
21	F17522		1	O-RING
22	F1310		4	ROUND HD SCREW, 10 - 24 X 5/8
23	F449254		1	HYDRAULIC LINE, TRIM CYLINDER, UPPER
24	F1959		5	SCREW, 1/4 - 20 X 7/8
25	F449354		1	THRUST BRACKET
26	F1734		2	SCREW AND LOCKWASHER, 1/4 - 20 X 1/2
27	FA449149		1	COVER W/ SEALS AND RETAINER
28	F449342		1	SEAL, PISTON SHAFT
29	FA449015		1	PISTON
30	F449278		1	PISTON SEAL
31	F40278		2	SEAL, CYLINDER
32	F449010		1	CYLINDER
33	F449545-2		1	CYLINDER HOUSING
34	F1963		2	NUT, 5/8 - 18
35	F178362		2	BEARING
36	F449632		1	SHAFT
37	F449253-1		1	HYDRAULIC LINE, TRIM CYLINDER, LOWER
38	F449758		1	HYDRAULIC LINE, LIFT CYLINDER, UPPER
39	F449754-1		1	HYDRAULIC LINE, LIFT CYLINDER, LOWER
40	FA17559		1	LIFT CYLINDER COMPLETE W/ILLUS. 41
41	F178344		1	BUSHING, SHOCK ABSORBER - UPPER
42	F17577		1	ADAPTER FITTING PACKAGE
43	F17558		1	THRU-BOLT PACKAGE

CONTINUED ON NEXT PAGE ➡

POWER TRIM UNIT



POWER TRIM UNIT

REF. NO.	PART NO.	SYM.	QTY.	DESCRIPTION
44	FA17561-1		1	O-RING W/ LITERATURE
45	F17562-1		1	PISTON ASSEMBLY
46	F17528		1	O-RING
47	F17560		1	HEAD ASSEMBLY
48	F413420		1	RETAINER, SWITCH PLATE
49	F1931		2	NUT, 1/2 - 20, STAINLESS STEEL
50	F1960		2	PLAIN WASHER
51	F449889		1	SHAFT, UPPER
52	F1822		3	SCREW, 5/16 - 18 X 7/8, STAINLESS STEEL
53	F299449-4		1	TOGGLE SWITCH
54	F1934		4	FLAT HD THREAD FORMING SCREW 6 X 1/2

SPECIAL TOOLS - TUNE-UP

REF. NO.	PART NO.	SYM.	QTY.	DESCRIPTION
-	FT8948-1		0	PULLER TO REMOVE FLYWHEEL.
-	FTA2937-1		0	TIMING TOOL TO ADJUST TIMING POINTER.
-	FT8978		0	POWER TIMING LIGHT FOR ADJUSTMENT OF ENGINE TIMING.
-	FT2951		0	CIRCUIT TRACER TO TROUBLESHOOT ELECTRICAL SYSTEM.
-	FT2938-1		0	BATTERY POWERED TEST LIGHT TO CHECK FOR CONTINUITY.

SPECIAL TOOLS - POWER HEAD

REF. NO.	PART NO.	SYM.	QTY.	DESCRIPTION
-	FT8914		0	SEAL REMOVER TO REMOVE UPPER CRANKSHAFT BEARING CAGE SEAL.
-	FT8927		0	SEAL PROTECTOR TO INSTALL UPPER CRANKSHAFT BEARING CAGE.
-	FT8907		0	DRIVE HANDLE USED WITH T 8903.
-	FT8925		0	SEAL INSTALLER TO INSTALL LOWER CRANKSHAFT SEAL.
-	FT2953		0	SOCKET TO TORQUE CONNECTING ROD SCREWS.
-	FT2990		0	PISTON PIN TOOL TO REMOVE AND INSTALL PISTON PINS.
-	FTA8994		0	PISTON PIN TOOL USE WITH T 2990.
-	FT2996		0	RING COMPRESSOR TO INSTALL PISTON IN CYLINDER.
-	FT8926		0	RING EXPANDER TO INSTALL PISTON RINGS.
-	FT8903		0	SEAL INSTALLER TO INSTALL UPPER CRANKSHAFT BEARING CAGE SEAL.
-	FT1082		0	SNAP RING PLIER TO REMOVE AND INSTALL DISTRIBUTOR RETAINING RING.
-	FT8933		0	LIFTING HOOK TO LIFT ENGINE.
-	FT2998		0	TORQUE WRENCH TO PROPERLY TIGHTEN FASTENERS.
-	FT2999		0	TORQUE WRENCH TO PROPERLY TIGHTEN FASTENERS.
-	FT2991		0	CARBON BRUSH TO REMOVE CARBON FROM INSIDE ENGINE.
-	FT8900		0	HOSE CLAMP PLIERS TO REMOVE AND INSTALL FUEL HOSE CLAMPS.

SPECIAL TOOLS - GEAR HOUSING

REF. NO.	PART NO.	SYM.	QTY.	DESCRIPTION
-	FT8948-1		0	PULLER TO REMOVE SPOOL FROM GEAR HOUSING.
-	FT8985		0	SEAL INSTALLER TO INSTALL PROPELLER SHAFT SEAL IN PROPELLER SHAFT BEARING SPOOL.
-	FT8925		0	SEAL INSTALLER TO INSTALL DRIVESHAFT SEAL IN GEAR HOUSING COVER.
-	FT8907		0	DRIVER HANDLE TO INSTALL BEARING CUPS AND SEALS.
-	FT8901		0	INDICATOR HOLDER USED IN CONJUNCTION WITH T 8997.
-	FT8902		0	DIAL INDICATOR USED IN CONJUNCTION WITH T 8997.
-	FT8919		0	SPRING PIN PUNCH TO REMOVE CLUTCH SPRING PIN.
-	FT8957		0	SEAL INSTALLER TO INSTALL SHIFT ROD SEAL.
-	FT8997		0	SHIMMING TOOL TO SHIM LOWER UNIT.
-	FT8918		0	BEARING GUIDE SET TO REMOVE FORWARD BEARING CUP IN GEAR HOUSING.
-	FT11209		0	BEARING GUIDE SET USE WITH T 8918.
-	FT11207		0	BEARING CUP REMOVER TO REMOVE FORWARD BEARING CUP IN GEAR HOUSING.
-	FT11204		0	BEARING CUP INSTALLER TO INSTALL FORWARD BEARING CUP IN GEAR HOUSING.
-	FT3012		0	SEAL INSTALLER TO INSTALL WATER PUMP SEAL.
-	FT11205		0	BEARING INSTALLER/REMOVER TO INSTALL AND REMOVE LOWER DRIVESHAFT BEARING IN GEAR HOUSING.
-	FT7848		0	TORQUING ADAPTER HOLD DRIVESHAFT WHILE INSTALLING OR REMOVING PINION NUT.

SPECIAL TOOLS - TEST EQUIPMENT

REF. NO.	PART NO.	SYM.	QTY.	DESCRIPTION
-	FT8950		0	LEAKAGE TESTER TO TEST LOWER UNIT SEALS FOR LEAKAGE.
-	FTK8999		0	TEST WHEEL TO TEST MOTOR IN TEST TANK. ORIGINAL FORCE P/N TA 8999
-	FT8953		0	IGNITION TESTER TO TEST OUTPUT OF C-D UNIT.

SPECIAL TOOLS - LUBRICANTS AND SEALANTS

REF. NO.	PART NO.	SYM.	QTY.	DESCRIPTION
-	FT2961		0	LUBRICANT - RYKON GREASE #2EP
-	FT2987-1		0	LUBRICANT - ANTI-SEIZE
-	FT8969		0	LUBRICANT - 7 OZ. LPSI LUBRICANT
-	FT8955		0	SEALANT - 5 OZ. EC - 750 INDUSTRIAL SEALANT
-	FT8983		0	SEALANT - 3 OZ. RTV SEALANT FROM IN PLACE GASKETS
-	FT8936-1		0	SEALANT - 2 CC LOCTITE RETAINING COMPOUND #75
-	FT2962-2		0	SEALANT - 50 CC LOCTITE H. NON-HARDENING GRADE
-	FT2963-2		0	SEALANT - 2 OZ. LOCTITE D, HARDENING GRADE
-	FT8935		0	SEALANT PRIMER - 6 OZ.

ACCESSORIES

REF. NO.	PART NO.	SYM.	QTY.	DESCRIPTION
-	F5H014		0	FLUSHING ADAPTER PERMITS FRESH WATER FLUSHING OF WATER PASSAGES WITH STANDARD GARDEN HOSE.
-	F5H130		0	REMOTE CONTROL BOX (SINGLE LEVER) (SURFACE MOUNT) PERMITS REMOTE CONTROL OF THROTTLE AND GEAR SHIFT FROM STARBOARD SIDE OF BOAT.
-	F5H120		0	REMOTE CONTROL BACK PLATE PROTECTS CONTROL MECHANISM FROM PADDED BOAT SURFACES.
-	F590		0	REMOTE CONTROL HEAD (SINGLE LEVER) FLUSH MOUNT CONTROL UNIT PERMITS REMOTE CONTROL OF THROTTLE AND GEAR SHIFT. MAY BE MOUNTED ON PORT OR STARBOARD SIDE OF BOAT.
-	F5H079		0	REMOTE CONTROL BOX FOR MOUNTING ON CONSOLE OF BOAT.
-	F5H080		0	TWIN REMOTE CONTROL BOX FOR MOUNTING ON CONSOLE OF BOAT.
-	F195/___		0	REMOTE CONTROL CABLES CONNECTS REMOTE CONTROL BOX TO THROTTLE AND GEAR SHIFT ON ENGINE. AVAILABLE IN 6 THROUGH 40 FOOT LENGTHS.
-	F5H108		0	STEERING CONNECTOR CLEVIS TYPE FOR BOAT MOUNTED STEERING AND NON THREADED CABLE END.
-	F5H018		0	DUAL ENGINE TIE BAR PERMITS DUAL ENGINE INSTALLATIONS.
-	F5H094		0	STEERING LINK CONNECTS ENGINE TO REMOTE STEERING CABLE.
-	F5H026		0	STEEL, 6 GALLON FUEL TANK (LOW PROFILE) AUXILIARY TANK.
-	F5H029		0	TANK ANCHOR SECURES 5H026 TO BOAT.
-	F5H040		0	STEEL, 12 GALLON FUEL TANK AUXILIARY TANK.
-	F5H019		0	ANTI-CORROSION KIT ELECTRICAL KIT FOR MOUNTING ON BOAT (12V) TO REDUCE CORROSION.
-	F5H025		0	ANTI-CORROSION SACRIFICIAL ANODE KIT USED TO REDUCE CORROSION.
-	F5H043		0	OVERHEAT BUZZER SOUNDS WARNING BUZZER IF ENGINE OVERHEATS.
-	F5H161		0	POWER TRIM INDICATOR INDICATES ENGINE TRIM ANGLE (FLUSH MOUNT).
-	F5H180		0	BOAT WHITE ENAMEL ENGINE TOUCH-UP PAINT IN 12-3/4 OZ. SPRAY BOMBS (6 CANS PER CASE).
-	F5H081		0	BATTERY CABLE LONGER LENGTH - 15 FEET.
-	F5H157		0	VOLTMETER - FLUSH MOUNT INDICATES BATTERY CONDITION.
-	F5H159		0	HOURMETER - FLUSH MOUNT RECORDS ENGINE RUNNING TIME.
-	F5H119		0	PROPELLER SPACER - FLARED REDUCES PROPELLER VENTILATION ON SOME BOAT APPLICATIONS.
-	F5H069		0	RFI SUPPRESSION KIT PROVIDES RADIO NOISE SUPPRESSION.
-	5H048		0	CANVAS HOOD PROTECTION FOR ENGINE COVER.
-	5H051		0	BATTERY, 74 AMP. 12 VOLT HEAVY DUTY BATTERY.

CONTINUED ON NEXT PAGE ➡

ACCESSORIES

REF. NO.	PART NO.	SYM.	QTY.	DESCRIPTION
-	F5H041		0	BATTERY TERMINAL KIT BATTERY TERMINALS FOR CONNECTIONS TO CABLE ON ENGINE.
-	F5H021		0	EXTENSION CABLE FOR LENGTHENING BATTERY CABLE 6-1/2 FEET.
-	F5H037		0	CIGAR LIGHTER FOR USE AS CONVENIENCE OUTLET.
-	5H158		0	FUEL GAUGE FLUSH MOUNT MONITORS FUEL SUPPLY
-	F5H077		0	IGNITION KEY SWITCH SHORT BARREL WITH KEYS.
-	F5H078		0	IGNITION KEY SWITCH LONG BARREL WITH KEYS.
-	F762		0	REMOTE ELECTRIC CABLE 25 FOOT CABLE FOR LARGE BOATS.
-	F5H115		0	TRAILERING TILT LOCK WITHOUT POWE TRIM OR TILT SECURES ENGINE IN HALF-TILT POSITION FOR TRAILERING.
-	F5H178		0	POWER TRIM SWITCH KIT DASH MOUNTED TOGGLE SWITCH
-	F5H179		0	TRAILERING LOCK FOR ENGINES WITH POWER TRIM OR TILT SECURES ENGINE IN HALF TILTED POSITION FOR TRAILERING
-	F5H146		0	POWER TILT TILTS ENGINES FOR BEACHING.
-	F5H132		0	REMOTE CONTROL HANDLE TRIM SWITCH FOR CONVENIENT OPERATION OF POWER TRIM.
-	F5H044		0	TILT STOP KIT SHORTER TILT STOP FOR SHORT TRANSOM WELL.
-	F5H070		0	REMOTE ELECTRIC CABLE 21 FOOT CABLE FOR LARGE BOATS.
-	F5H028		0	SENDING UNIT FOR USE WITH FUEL GAUGE.
-	F5H156		0	TEMPERATURE GAUGE - FLUSH MOUNT MONITORS ENGINE TEMPERATURE. DO NOT USE TEMPERATURE GAUGE AND HEAT LAMP IN SAME INSTALLATION.
-	F5H167		0	TACHOMETER FLUSH MOUNT MONITORS ENGINE R.P.M. TO PROVIDE CHECK OF ENGINE PERFORMANCE.
-	F5H150		0	POWER TRIM ADJUSTS ENGINE TRIM AND TILTS ENGINE.
-	F5H154		0	SPEEDOMETER - FLUSH MOUNT MONITORS BOAT SPEED (10-50 M.P.H.)
-	F5H155		0	SPEEDOMETER - FLUSH MOUNT MONITORS BOAT SPEED (10-65 M.P.H.)
-	F5H076		0	SWITCH EXTENSION CABLE 5 FOOT LONG SWITCH WIRING HARNESS.
-	F5H003		0	SPEEDOMETER FLUSH MOUNT MONITORS BOAT SPEED (20 TO 100 KM/H).
-	F5H030		0	SWITCH KIT - RUNNING LIGHTS DASH MOUNTED TOGGLE SWITCH
-	F5H031		0	SWITCH KIT - SPOT LIGHT DASH MOUNTED TOGGLE SWITCH
-	F5H032		0	SWITCH KIT - WIPER DASH MOUNTED TOGGLE SWITCH
-	F5H034		0	SWITCH KIT - BILGE PUMP DASH MOUNTED TOGGLE SWITCH
-	F5H035		0	SWITCH KIT - HORN DASH MOUNTED TOGGLE SWITCH
-	F5H039		0	SWITCH KIT - INSTRUMENT LIGHTS DASH MOUNTED TOGGLE SWITCH

CONTINUED ON NEXT PAGE ➡

ACCESSORIES

REF. NO.	PART NO.	SYM.	QTY.	DESCRIPTION
-	F5H036		0	SWITCH KIT - TACHOMETER TRANSFER FOR ONE TACHOMETER ON DUAL ENGINE INSTALLATION.
-	F5H038		0	SWITCH KIT - IGNITION SWITCH TO MOUNT IGNITION SWITCH IN DASH.
-	F563		0	TERMINAL BLOCK KIT DOUBLE ROW 10 SECTION, TO SIMPLIFY ACCESSORY INSTALLATION.
-	F5H075		0	WIRING HARNESS - IGNITION SWITCH - 24" USE WITH 563 TERMINAL BLOCK.
-	F596		0	US MARINE OUTBOARD OIL SEE NOTE 1
-	F597		0	US MARINE OUTBOARD GEAR LUBE SEE NOTE 2
-	F5H059		0	US MARINE OUTBOARD MULTI-PURPOSE GREASE LUBRICATES BEARINGS AND OTHER MOVING PARTS. AVAILABLE IN 8 OZ. TUBES AND 12 TUBE CASES.
-	F5H060		0	US MARINE OUTBOARD GREASE GUN

PARTS INDEX

Part Number	Description	Pg.	Ref. No.	Part Number	Description	Pg.	Ref. No.
5H048	CANVAS HOOD	59	-	F1425	HEX CAP SCREW, 1/4 - 20 X 2-5/8	39	68
5H051	BATTERY, 74 AMP.	59	-	F1461	SCREW #6 X 7/8	47	40
5H158	FUEL GAUGE FLUSH MOUNT	60	-	F1473	HEX NUT	3	30
817747--1	BALL JOINT W/STUD	21	23	F1491	HEX HD SCREW, 5/16 - 18 X 3/4	39	45
817747--1	BALL JOINT W/STUD	25	25	F15034	SPRING SET	9	15
817783A5	SWIVEL BRACKET	35	47	F1504	FILL HD. SCREW, 1/4 - 20 X 1-1/4	25	13
817788A3	SPACER PLATE	27	70	F1504	FILL HD. SCREW, 1/4 - 20 X 1-1/4	29	91
817892--1	IGNITION SWITCH PLATE - CANADA (NOT SHOWN)	5	-	F15054	BRUSH AND TERMINAL SET	9	7
817960A2	TOWERSHAFT	25	22	F15057	BRUSH PLATE AND HOLDER ASSEMBLY	9	16
89396A38	PRIME BULB	43	4	F15099	ARMATURE	9	5
89396A38	PRIME BULB	45	9	F15118	BENDIX DRIVE ASSEMBLY	9	1
F1009	HEX HD. SCREW, 3/8 - 16 X 2-3/4	25	3	F15125	HEAD ASSEMBLY, COMMUTATOR END	9	14
F1014	COTTER PIN	13	11	F15126	THRUST WASHER PACKAGE	9	4
F1014	COTTER PIN	17	11	F1513	HEX NUT	47	3
F1015	COTTER PIN	39	52	F1513	HEX NUT, 10 - 32	5	26
F1034	PAN HD. SCREW, 1/4 - 20 X 1-3/8	13	33	F1513	HEX NUT, 10 - 32	21	27
F1034	PAN HD. SCREW, 1/4 - 20 X 1-3/8	17	33	F1513	HEX NUT, 10 - 32	27	42
F1052	FILL HD. SCREW, 1/4 - 20 X 1	25	28	F1515	HEX NUT 5/16 - 18	35	70
F1059	FILL HD SCREW, 6 - 32 X 1/4	13	15	F1515	HEX NUT, 5/16 - 18	5	29
F1059	FILL HD SCREW, 6 - 32 X 1/4	17	15	F1515	HEX NUT, S.S., 5/16 - 18	5	25
F1064	FILL HD. SCREW, 8 - 32 X 3/8	13	37	F15152	LOCKWASHER	11	18
F1064	FILL HD. SCREW, 8 - 32 X 3/8	17	37	F15158	SCREW, BRUSH HOLDER	11	15
F1107	SLOTTED FILL HD. CAP SCREW, 1/4 - 20 X 3/4	29	92	F15160	INSULATOR WASHER	11	16
F1108	FILL HD. SCREW, 1/4 - 20 X 3/4	21	13	F15161	PLAIN WASHER	11	17
F1203	HEX CAP SCREW, 1/4 - 20 X 7/8	51	16	F15162	HEX LOCK NUT, 1/4 - 20	9	8
F1236	SCREW, 1/4 - 20 X 1/2	21	22	F15162	NUT	11	20
F1253	HEX SOCKET HD. CAP SCREW, 3/8 - 16 X 2	25	9	F15164	BRUSH KIT	11	7
F1263	HEX SOCKET HD CAP SCREWS, 5/16 - 18 X 9/16	33	11	F15166	FRAME AND FIELD ASSEMBLY	9	6
F1280	PAN HD SCREW, 8 - 32 X 1/4	33	19	F15167	HEAD ASSEMBLY, DRIVE END	9	3
F1280	PAN HD SCREW, 8 - 32 X 1/4	49	42	F15168	THRU BOLT PACKAGE	9	10
F1280	PAN HD SCREW, 8 - 32 X 1/4 (TERMINAL BOARD) (NOT SHOWN)	49	-	F15174	DRIVE KIT	11	1
F1280	SLOTTED PAN HD SCREW, 8 - 32 X 1/4	5	15	F15175	DRIVE ASSEMBLY, PINION	11	2
F1286	PAN HD. SCREW, 4 - 40 X 3/16	25	37	F15176	CAP STARTER DRIVE	11	3
F1303	SLOTTED PAN HD. SCREW, 8 - 32 X 3/4	7	67	F15177	ARMATURE	11	4
F1310	ROUND HD SCREW, 10 - 24 X 5/8	51	22	F15178	THRU BOLT PACKAGE	11	5
F1341	HEX NUT, 1/4 - 20	25	27	F15179	COMMUTATOR	11	6
F1341	NUT	11	19	F1532	HEX HD. SCREW, 1/4 - 20 X 1	21	20
F1341	NUT, 1/4 - 20	7	53	F1532	HEX HD. SCREW, 1/4 - 20 X 1	25	33
F1346	HEX NUT	21	29	F1532	HEX HD. SCREW, 1/4 - 20 X 1	29	106
F1346	HEX NUT	33	28	F154317	CABLE CLAMP	47	23
F1425	HEX CAP SC, 1/4 - 20 X 5/8	41	-	F1550	SLOTTED PAN HD. SCREW #12 - 24 X 1	7	60
				F1556	FILL HD. SCREW W/LOCKWASHER, 10 - 24 X 3/8	25	29
				F1577	FILL HD SCREW, 1/4 - 20 X 3/4	37	13
				F1593	HEX HD SCREW, 3/8 - 16 X 3	33	26

PARTS INDEX

Part Number	Description	Pg.	Ref. No.	Part Number	Description	Pg.	Ref. No.
F1641	LOCK NUT	11	8	F1730	PAN HD SCREW W/SPRING LOCKWASHER, 1/4 - 20 X 5/8	3	34
F1641	LOCK NUT, 1/4 - 28	9	2	F1733	PAN HD MACHINE SCREW, 10 - 24 X 9/16	3	2
F1645	RD HD SCREW, 6 - 32 X 1/4	5	5	F1734	FILL HD. SCREW, 1/4 - 20 X 1/2	5	12
F1645	RD HD SCREW, 6 - 32 X 1/4	23	49	F1734	SCREW AND LOCKWASHER, 1/4 - 20 X 1/2	51	26
F1647	HEX NUT, 8 - 32	5	8	F1741	PAN HD SCREW, 8 X 3/4	7	49
F1647	HEX NUT, 8 - 32	29	86	F17500	SPRING SET	51	4
F1648	PAN HD SCREW, 10 - 24 X 3/4	5	20	F17504	BRUSH SET	51	3
F1664	SPRING PIN	33	10	F17505	RESERVOIR AND BRACKET W/ SEAL	51	14
F1693	TIE BAR RETAINER NUT	13	36	F17508	THRUST WASHER	51	11
F1693	TIE BAR RETAINER NUT	17	36	F17510	O-RING	51	13
F1696	HEX BOLT, 5/16 - 18 X 1-3/4	33	23	F17518	FILLER CAP	51	12
F1699	HEX BOLT, 1/4 - 20 X 1-1/8	29	94	F17522	O-RING	51	21
F1699	HEX HD. SCREW, 1/4 - 20 X 1-1/8	25	8	F17528	O-RING	53	46
F17006	DETENT SPRING	47	18	F17539	BALL	51	2
F17009	BEARING	47	14	F17543	HEAD ASSEMBLY, COMMUTATOR END	51	1
F17010-1	THROTTLE GEAR	47	16	F1755	ROUND HD. SCREW W/LOCKWASHER 6 - 32 X 1/4	21	38
F17011	BOWED WASHER	47	15	F17555	ARMATURE	51	7
F17012	RETAINING PLATE	47	13	F17556	FIELD AND FRAME ASSEMBLY	51	6
F17013	FILL HD SCREW, 1/4 - 20 X 1/2	47	11	F17557	GASKET	51	5
F17014	THROTTLE ARM	47	10	F17558	THRU-BOLT PACKAGE	51	43
F17016	CABLE TERMINAL	47	9	F17560	HEAD ASSEMBLY	53	47
F17019	CLUTCH ARM	47	5	F17562-1	PISTON ASSEMBLY	53	45
F17021	CLUTCH GEAR	47	19	F17563	MOTOR AND RESERVOIR	51	20
F17026	SWIVEL	47	24	F17564	VALVE BODY AND PUMP	51	17
F1703	LOCKWASHER	27	68	F17565	DRIVE GEAR	51	19
F1703	SPRING LOCKWASHER	35	53	F17566	IDLE GEAR	51	18
F17036	INTERNAL TOOTH LOCKWASHER	47	6	F17577	ADAPTER FITTING PACKAGE	51	42
F1704	INTERNAL TOOTH LOCKWASHER	5	4	F1760	SLOTTED PAN HD SCREW, 10 - 24 X 3/8	7	40
F1705	HEX CAP SCREW, 1/4 - 20 X 3/4	37	1	F177330	FUEL PUMP VALVE	21	10
F17071	FILL HD SCREW, 10 - 24 X 5/16	47	22	F178145-3	MOTOR LEG COVER REAR SEAL, FUEL LINE COUPLER (SMALL)	45	5
F1708	HEX HD SCREW, 1/4 - 20 X 1-3/8	3	37	F17815	SEAL, FUEL LINE COUPLER (LARGE)	45	4
F17082-1	DETENT BALL	47	38	F17816	SEAL, FUEL LINE COUPLER (LARGE)	45	4
F17092	SNAP RING	47	21	F178168-1	CARBURETOR ADAPTER GASKET	29	-
F17099-1	HOUSING	47	36	F178168-1	GASKET, CARBURETOR ADAPTER	21	35
F1710	PLAIN WASHER	33	33	F17817	SEAL, FUEL TANK ADAPTER	45	12
F17100	CLUTCH SHAFT	47	20	F178323	SEAL, MOTOR LEG	33	13
F17105	FELT WASHER	47	33	F178344	BUSHING, SHOCK ABSORBER - UPPER	51	41
F17106	COLLAR	47	34	F178362	BEARING	33	35
F1711	SPRING BOWED WASHER	35	41	F178362	BEARING	51	35
F17111	DETENT BALL	47	17	F178404-1	DEFLECTOR PLATE	21	36
F17115-1	HANDLE	49	44	F178754-1	FUEL LINE	13	8
F17116	KNOB	49	43	F178754-1	FUEL LINE	17	8
F1713	SPRING PIN	37	29	F1788	STOP NUT	37	8
F17141	ROUND HD SCREW, 10 - 24 X 3/8	47	25				
F17149	COTTER PIN	47	8				
F17153	RETAINER PLATE	47	26				
F17154	WOOD SCREW	47	35				
F17155	HEX BOLT, 1/4 - 28 X 1/2	47	7				
F17157	DETENT SPRING	47	37				
F1727	PLASTIC RIVET	25	24				
F1729	PLUG	33	8				

PARTS INDEX

Part Number	Description	Pg.	Ref. No.	Part Number	Description	Pg.	Ref. No.
F1802	SLOTTED FILL HD. SCREW, 1/4 - 20 X 9/16	7	66	F1904	PLAIN WASHER	33	27
F1804	STOP NUT	27	75	F1907	PLAIN WASHER	37	16
F18160-2	CYLINDER DRAIN REED	27	40	F19109	PLUG	27	78
F1820	SLOTTED FILL HD. SCREW, 1/4 - 20 X 1-3/8	5	27	F1912	HEX HD SCREW, 10 - 24 X 1/2	35	51
F1822	HEX BOLT, 5/16 - 18 X 7/8	35	58	F1922	HEX CAP SCREW, 1/4 - 20 X 5/8	3	14
F1822	SCREW, 5/16 - 18 X 7/8, STAINLESS STEEL	53	52	F1922	HEX CAP SCREW, 1/4 - 20 X 5/8	9	11
F1829	FILL HD. SCREW, 10 - 24 X 7/8	25	23	F1922	HEX CAP SCREW, 1/4 - 20 X 5/8	11	10
F1831	FLAT HD SCREW, 1/4 - 20 X 5/8	23	42	F1922	HEX CAP SCREW, 1/4 - 20 X 5/8	21	5
F1832	NUT, LOCK 1/4 - 20	7	57	F1922	HEX CAP SCREW, 1/4 - 20 X 5/8	27	52
F1832	STOP NUT, 1/4 - 20	27	62	F1931	NUT, 1/2 - 20, STAINLESS STEEL	53	49
F184033-1	SWIVEL, TOP CARBURETOR	13	14	F1934	FLAT HD SCREW, 6 X 1/2	5	21
F184033-1	SWIVEL, TOP CARBURETOR	17	14	F1934	FLAT HD THREAD FORMING SCREW 6 X 1/2	53	54
F184122-1	SEAL	29	-	F1936	SPACER, BEVEL GEAR FRONT, SIZE .059	37	31
F184122-1	SEAL, PARTING LINE	27	45	F1937	SPACER, BEVEL GEAR FRONT, SIZE .062	37	-
F184579	O-RING SEAL	13	13	F1938	SPACER, BEVEL GEAR FRONT, SIZE .065	37	-
F184579	O-RING SEAL	17	13	F1939	SPACER, BEVEL GEAR FRONT, SIZE .068	37	-
F1854	HEX CAP SCREW, 1/4 - 20 X 5/8	3	19	F1940	SPACER, BEVEL GEAR FRONT, SIZE .071	37	-
F1854	HEX HD. CAP SCREW, 1/4 - 20 X 5/8	11	12	F1941	SPACER, BEVEL GEAR FRONT, SIZE .074	37	-
F1856	PLAIN WASHER	39	43	F1942	SPACER, BEVEL GEAR FRONT, SIZE .077	37	-
F1857	HEX CAP SCREW, 5/16 - 18 X 5/8	3	17	F195/___	REMOTE CONTROL CABLE (SPECIFY LENGTH) ACCESSORY ITEM	47	4
F1857	HEX CAP SCREW, 5/16 - 18 X 5/8	3	29	F195/___	REMOTE CONTROL CABLES	59	-
F1858	HEX CAP SCREW, 5/16 - 18 X 1	3	18	F1950	HEX CAP SCREW, 10 - 24 X 5/8	29	98
F1858	HEX CAP SCREW, 5/16 - 18 X 11	39	47	F1959	SCREW, 1/4 - 20 X 7/8	51	24
F1860	RD HD SCREW, 6 - 32 X 1/4	21	9	F1960	PLAIN WASHER	53	50
F1864	HEX CAP SCREW, 1/4 - 20 X 3/4	3	10	F1963	NUT, 5/8 - 18	51	34
F1864	HEX CAP SCREW, 1/4 - 20 X 3/4	27	73	F1966	PLUG, SWIVEL BRACKET	51	15
F1864	HEX HD. SCREW, 1/4 - 20 X 3/4	25	11	F1968	FLYWHEEL NUT	31	20
F1864	HEX SLOT HD SCREW, 1/4 - 20 X 3/4	33	3	F1975	LOCKWASHER	5	18
F1866	PLAIN WASHER	37	9	F197787-3	FUEL LINE COUPLER	45	6
F1869	HEX CAP SCREW, 3/8 - 16 X 1-1/4	27	67	F1987	PLAIN WASHER	27	81
F1871	HEX HD SCREW, 3/8 - 16 X 3/4	35	54	F1987	PLAIN WASHER	35	65
F1872	HEX CAP SCREW, 3/8 - 16 X 1-3/4	25	12	F1990	HEX CAP SCREW	41	-
F1873	HEX CAP SCREW, 3/8 - 16 X 3	25	7	F1990	HEX CAP SCREW, 1/4 - 20 X 1-5/8	39	66
F1874	HEX HD. SCREW, 3/8 - 16 X 1/8	25	2	F1994	HEX SOCKET HD CAP SCREW, 5/16 - 18 X 1	39	42
F1877	TY-RAP	51	9	F1997	STOP NUT, 8 - 32	15	47
F1877	TY-RAP (NOT SHOWN)	7	64	F1997	STOP NUT, 8 - 32	19	47
F1885	HEX BOLTS, S.S., 5/16 - 18 X 4-1/4	27	55	F2000	HEX CAP SCREW, 5/16 - 18 3/4	29	104
F1885	HEX CAP SCREW, 5/16 - 18 X 4-1/4	37	15	F2008	HEX CAP SCREW, 1/4 - 20 X 7/8	29	82

PARTS INDEX

Part Number	Description	Pg.	Ref. No.	Part Number	Description	Pg.	Ref. No.
F2008	HEX CAP SCREW, 1/4 - 20 X 7/8	39	61	F2122	SPACER, BEVEL GEAR FRONT, SIZE .054	39	-
F2008	HEX HD SCREW, 1/4 - 20 X 7/8	23	43	F213274	GREASE FITTING	35	43
F2008	HEX HD. M. SC., 1/4 - 20 X 7/8	7	44	F215962	MOUNT (SHOCK - C.D. UNIT)	5	32
F2008	HEX HD. SCREW 1/4 - 20 X 7/8	7	47	F24278	SEAL, O-RING PROPELLER SHAFT SPOOL	37	19
F2008	HEX HD. SCREW, 1/4 - 20 X 7/8	25	5	F24278	SEAL, PROPELLER SHAFT SPOOL	41	-
F2008	HEX HD. SCREW, 1/4 - 20 X 7/8	25	6	F269319	THROTTLE CAM BEARING	21	26
F2014	PLAIN WASHER	35	67	F284659-2	BEARING, CRANKSHAFT UPPER MAIN	31	21
F2015	HEX NUT, 1/4 - 28	25	17	F286818	BEARING	3	9
F2016	SLOTTED FILL HD SCREW, 6 - 32 X 7/8	5	1	F289446-1	CLAMP, REMOTE ELEC. CABLE TO BRACKET	5	11
F2030	HEX HD SCREW, 1/4 - 20 X 1-1/4	35	55	F298788	FERRULE	43	3
F2033	GROOVE PIN	13	3	F298788	FERRULE	45	7
F2033	GROOVE PIN	17	3	F299449-4	TOGGLE SWITCH	53	53
F2042	PLAIN WASHER	27	59	F2A476757	CYLINDER DRAIN REED PLATE	27	41
F2047	WAVE SPRING LOCKWASHER	3	24	F2A523239	SPOOL, PROPELLER SHAFT BEARING	37	20
F2049	HEX CAP SCREW, 5/16 - 18 2-5/8	27	80	F2A523662	BEVEL GEAR REAR W/ BEARING CAGE SPACER AND BEARING	37	26
F2066	PAN HD TAPPING SCREW, 10 X 7/16 (TRIM TO COVER)	3	32	F2A550706	GEAR HOUSING COVER	39	58
F2067	PLASTISOL CAP (NOT SHOWN) FOR EXPOSED THREADS OF CRANKSHAFT	31	-	F2A615144	CRANKSHAFT BEARING CAGE	31	17
F2081	HEX SOC. HD. SCREW, 1/4 - 20 X 3/4	31	18	F307317	CLIP, TERMINAL BLOCK GROUND	5	17
F2088	FASTENER	3	35	F312528	DECAL, ENGINE COVER REAR	3	6
F2089	SLOTTED PAN HD. M. SCREW, 10 - 24 X 5/16	27	60	F316579	SEAL, CRANKCASE	31	11
F2090	PLUG	27	71	F316599	SEAL, STEERING SUPPORT TUBE	35	44
F2093	STOP NUT, 3/8 - 24	33	15	F319908	WIRE, GROUND (C.D. - COIL BRACKET)	7	56
F2106	LOCKWASHER	7	55	F321756	PACKING COVER	3	25
F2108	LOCK NUT	35	64	F322273	STUD	5	28
F2108	STOP NUT, 5/16 - 18	27	61	F333316	THROTTLE ROLLER SHAFT	15	45
F2113	SPACER, BEVEL GEAR FRONT, SIZE .080	39	-	F333316	THROTTLE ROLLER SHAFT	19	45
F2114	SPACER, BEVEL GEAR FRONT, SIZE .083	39	-	F333480-1	RETAINER, ENGINE COVER	3	31
F2115	SPACER, BEVEL GEAR FRONT, SIZE .086	39	-	F335215	SPACER, PISTON PIN (2 PER PISTON)	31	3
F2116	SPACER, BEVEL GEAR FRONT, SIZE .089	39	-	F335217-1	BEARING, PISTON PIN (26 PER SET)	31	5
F2117	SPACER, BEVEL GEAR REAR	37	24	F335654-1	DEFLECTION STOP	3	15
F2118	SPACER, BEVEL GEAR REAR	37	-	F338618-1	SEAL, GEAR SHIFT ROD	39	59
F2119	SPACER, BEVEL GEAR REAR	37	-	F338618-1	SEAL, GEAR SHIFT ROD	41	-
F2120	SPACER, BEVEL GEAR REAR	37	-	F345683	WIRE, GROUND	7	51
F2121	SPACER, BEVEL GEAR FRONT, SIZE .057	39	-	F351307	SEAL, DRIVESHAFT - WATER PUMP	41	69
				F353480	STUD	33	29
				F369610	BEARING	27	64
				F369887	SHOULDER SCREW	27	65
				F369977-1	INTERLOCK ARM	27	63
				F372151-1	EXHAUST PORT PLATE	29	97
				F372152-2	EXHAUST PORT COVER	29	95
				F372154-1	EXHAUST PLATE GASKET	29	-
				F372154-1	GASKET, EXHAUST PORT PLATE	29	96

PARTS INDEX

Part Number	Description	Pg.	Ref. No.	Part Number	Description	Pg.	Ref. No.
F372958	CHOKE BRACKET	21	19	F441754-1	HOSE	21	3
F381896-4	BATTERY CABLE	5	34	F448446	CLAMP, TRIM SWITCH		
F391926-1	PLUNGER	13	5		CABLE	47	41
F391926-1	PLUNGER	17	5	F448543	KNOB	47	29
F3A523158	REED PLATE	21	41	F448611-1	LEVER	47	30
F3C598944	ENGINE COVER COMPLETE	3	-	F449010	CYLINDER	51	32
F40223	GASKET, TRANSFER PORT			F449181	PLATE, TRIM SWITCH	51	10
	COVER	27	50	F449253-1	HYDRAULIC LINE, TRIM		
F40223	TRANSFER PORT COVER				CYLINDER, LOWER	51	37
	GASKET	29	-	F449254	HYDRAULIC LINE, TRIM		
F40278	SEAL, CYLINDER	51	31		CYLINDER, UPPER	51	23
F404268	BY-PASS VALVE SPRING	29	101	F449278	PISTON SEAL	51	30
F404314	ELBOW, FUEL PUMP COVER	21	2	F449342	SEAL, PISTON SHAFT	51	28
F404314	FITTING	27	54	F449354	THRUST BRACKET	51	25
F404801	ELBOW, CYLINDER DRAIN			F449545-2	CYLINDER HOUSING	51	33
	UPPER (NOT SHOWN)	25	-	F449632	SHAFT	51	36
F404841	CABLE, HEAT INDICATOR	7	52	F449754-1	HYDRAULIC LINE, LIFT		
F405457	PIVOT SCREW	25	31		CYLINDER, LOWER	51	39
F406406	DEFLECTOR PLATE			F449758	HYDRAULIC LINE, LIFT		
	GASKET	29	-		CYLINDER, UPPER	51	38
F406406	GASKET DEFLECTOR			F449843	CABLE	51	8
	PLATE	21	37	F449889	SHAFT, UPPER	53	51
F406471-1	CYLINDER DRAIN COVER	25	35	F449894	INDICATOR	47	32
F406754-1	HOSE	27	53	F455449	SWITCH, TRIM	47	39
F40689-1	BEARING	27	69	F455690	SET SCREW	47	31
F407446	CLAMP	5	33	F474073-1	CLAMP SCREW	33	31
F409251-1	GAUGE CAP	45	1	F475301-1	MODULE	7	45
F411420	RETAINER, SWITCH PLATE	7	69	F475504	BUSHING	7	42
F412181-1	IGNITION SWITCH PLATE	5	22	F476066-1	THERMOSTAT COVER	29	90
F413420	RETAINER, SWITCH PLATE	53	48	F476067	GASKET	29	87
F433209-1	THROTTLE CAM STUD	21	32		THERMOSTAT COVER		
F433473	CUP, METERING	19	51		GASKET	29	-
F438066	BY-PASS VALVE COVER	29	99	F476529-1	CYLINDER HEAD GASKET	27	76
F438129	SEAL, DRIVESHAFT SPLINE	41	71	F476529-1	CYLINDER HEAD GASKET	29	-
F438165	SCREW, FUEL PUMP BOWL	21	18	F480038-2	SUPPORT PLATE	3	11
F438169	BEARING	33	38	F480107-1	CAM STARTER INTERLOCK	27	57
F438271	RETAINER, CRANKSHAFT			F480388	DISC, WATER PUMP		
	SPLINE SEAL	41	72		LOCATING	39	67
F438346	SHOCK MOUNT LOWER	35	61	F481382-1	SPACER, LATCH SHAFT	3	23
F438500	FUEL SEDIMENT BOWL	21	17	F481434	GUIDE, ENGINE COVER	3	36
F438617	FUEL SEDIMENT BOWL			F481774	BRACKET, COVER LATCH	3	26
	GASKET	21	15	F481777	CAM, LATCH	3	22
F438653	FUEL SEDIMENT BOWL			F485755-1	FUEL TANK ADAPTER	45	3
	SCREEN	21	16	F489551	BRACKET NEUTRAL		
F438747	FUEL PUMP DIAPHRAGM	21	8		INTERLOCK SWITCH	23	44
F438754	FUEL LINE	13	16	F490061-1	CARBURETOR COMPLETE		
F438754	FUEL LINE	17	16		(TC-6B)	13	27
F438760	FUEL PUMP GASKET	21	4	F490955	STARTER, COMPLETE.	9	-
F438801	FITTING	21	14	F491689-1	BEARING TOWERSHAFT		
F438930	RETAINER, SNOOT	39	41		UPPER	29	109
F438962	SHOCK MOUNT LOWER			F498618	O-RING	39	36
	REAR	33	12	F498618	SEAL, GEARSHIFT ARM PIN	41	-
F439736	SEAL, EXHAUST TUBE	35	68	F498891	PIN, GEAR SHIFT ARM	39	37
F440192-1	THROTTLE CAM	21	28	F498891	PIN, PROPELLER NUT		
F440209	CARBURETOR STUD	21	30		RETAINING	37	7
F440254	BALANCE TUBE	21	34	F499026	SWIVEL	25	16
F440906	CARBURETOR GASKET	21	31	F499035	END, CONTROL ROD (TO		
F440906	CARBURETOR GASKET	29	-		TOWERSHAFT)	25	18
F440925	CHOKE ROD	13	4	F499036	END, CONTROL ROD (TO		
F440925	CHOKE ROD	17	4		TRIGGER)	25	21

PARTS INDEX

Part Number	Description	Pg.	Ref. No.	Part Number	Description	Pg.	Ref. No.
F500133	MOTOR LEG	33	-	F545189	BUSHING, CABLE ENTRY	3	13
F500244	INLET WATER LINE	37	-	F548984	BLANKET, SILENCER TOP (NOT SHOWN)	3	-
F500606	KINGPIN CAP	35	69	F549189	BUSHING, ELECTRIC CABLE	3	12
F500615	GEAR SHIFT ROD UPPER	35	-	F552985	BLANKET, SILENCER SIDE (NOT SHOWN)	3	-
F500707	COVER SHOCK MT. LOWER	33	36	F563	TERMINAL BLOCK KIT	61	-
F500894	POINTER, TIMING	23	51	F580892-2	DECAL,	47	27
F50109	PLUG, GEAR HOUSING	39	49	F58685-2	CONNECTOR, SHIFT CABLE	47	2
F50342-1	SEAL, BEARING CAGE BOLT	41	-	F589061-1	CARBURETOR COMPLETE	17	27
F50342-1	SEAL, O-RING	37	17	F590	REMOTE CONTROL HEAD (SINGLE LEVER)	59	-
F506118	SEAL, DRIVESHAFT	39	57	F596	US MARINE OUTBOARD OIL	61	-
F506118	SEAL, PROPELLER SHAFT	37	18	F597	US MARINE OUTBOARD GEAR LUBE	61	-
F506118	SEAL, PROPELLER SHAFT	41	-	F5H003	SPEEDOMETER FLUSH MOUNT	60	-
F510374-1	DECAL, CIRCUIT BREAKER	7	37	F5H014	FLUSHING ADAPTER	59	-
F510460	CIRCUIT BREAKER	7	38	F5H018	DUAL ENGINE TIE BAR	59	-
F511125-2	TUBE, STEERING SUPPORT	35	42	F5H019	ANTI-CORROSION KIT	59	-
F511675	STARTER BRACKET, LOWER	9	13	F5H021	EXTENSION CABLE	60	-
F511708	COVER, CARBURETOR	13	32	F5H025	ANTI-CORROSION SACRIFICIAL ANODE	59	-
F511708	COVER, CARBURETOR	17	32	F5H026	FUEL TANK (ACCESSORY ITEM)	45	2
F523031	GASKET, WATER PUMP	39	62	F5H026	STEEL, 6 GALLON FUEL TANK (LOW PROFILE)	59	-
F523031	GASKET, WATER PUMP	41	-	F5H028	SENDING UNIT	60	-
F523057	BEARING, DRIVESHAFT LOWER	41	76	F5H029	TANK ANCHOR	59	-
F523065-1	IMPELLER	41	-	F5H030	SWITCH KIT - RUNNING LIGHTS	60	-
F523065-1	IMPELLER, WATER PUMP	39	64	F5H031	SWITCH KIT - SPOT LIGHT	60	-
F523094-2	PROPELLER NUT	37	6	F5H032	SWITCH KIT - WIPER	60	-
F523099-1	SPACER, PROPELLER	37	12	F5H034	SWITCH KIT - BILGE PUMP	60	-
F523116-1	EXHAUST SNOOT	39	44	F5H035	SWITCH KIT - HORN	60	-
F523133-2	MOTOR LEG	33	14	F5H036	SWITCH KIT - TACHOMETER TRANSFER	61	-
F523146-1	SEAL	31	19	F5H037	CIGAR LIGHTER	60	-
F523146-1	SEAL, CRANKSHAFT LOWER	31	13	F5H038	SWITCH KIT - IGNITION SWITCH	61	-
F523188	NUT, BEVEL PINION	39	39	F5H039	SWITCH KIT - INSTRUMENT LIGHTS	60	-
F523244	INLET WATER LINE	37	5	F5H040	STEEL, 12 GALLON FUEL TANK	59	-
F523273	STEERING BALL STUD	33	22	F5H041	BATTERY TERMINAL KIT	60	-
F523274	GREASE FITTING	35	39	F5H043	BUZZER, HEAT INDICATOR (ACCESSORY ITEM)	7	50
F523280	NUT, STEERING SUPPORT TUBE	35	48	F5H043	OVERHEAT BUZZER	59	-
F523300-1	SPRING	33	18	F5H044	TILT STOP KIT	60	-
F523411	RETAINING RING, BEARING CAGE	37	23	F5H059	US MARINE OUTBOARD MULTI-PURPOSE GREASE	61	-
F523451	SPACER, REED STOP	23	50	F5H060	US MARINE OUTBOARD GREASE GUN	61	-
F523498	DRIVE KEY, WATER PUMP	41	74	F5H069	RFI SUPPRESSION KIT	59	-
F523498	KEY	41	-	F5H070	ELECTRIC CONTROL CABLE, 21 FEET (ACCESSORY ITEM)	5	35
F523555	SEAL, GEAR HOUSING COVER	41	-	F5H070	REMOTE ELECTRIC CABLE	60	-
F523555	SEAL, O-RING, GEAR HOUSING COVER	39	54	F5H075	WIRING HARNESS - IGNITION SWITCH - 24"	61	-
F523562	PLATE, WATER PUMP	39	63				
F523562	PLATE, WATER PUMP	41	-				
F523705	GEAR SHIFT ROD LOWER	39	51				
F523813	BEARING CUP	39	33				
F523899	GROMMET, WATER LINE	37	4				
F523901	BEARING, BEVEL GEAR REAR	37	25				
F523930	RETAINER	33	21				
F523961	CRUSH RING	39	55				
F528068	THERMOSTAT	29	88				
F528995	COVER, CYLINDER HEAD	27	79				
F530160	REED (5 PETAL)	21	40				

PARTS INDEX

Part Number	Description	Pg.	Ref. No.	Part Number	Description	Pg.	Ref. No.
F5H076	SWITCH EXTENSION CABLE	60	-	F74305	SEAL, GEAR HOUSING COVER	41	-
F5H077	IGNITION KEY SWITCH	60	-	F762	REMOTE ELECTRIC CABLE	60	-
F5H078	IGNITION KEY SWITCH	60	-	F8003	PLAIN WASHER	25	38
F5H078	SWITCH, IGNITION (ACCESSORY ITEM), LONG BARREL	5	16	F8011	PLAIN WASHER	7	39
F5H079	REMOTE CONTROL BOX	59	-	F8028	PLAIN WASHER	7	43
F5H080	TWIN REMOTE CONTROL BOX	59	-	F8028	PLAIN WASHER	9	12
F5H081	BATTERY CABLE	59	-	F8038	PLAIN WASHER	25	4
F5H094	STEERING LINK	59	-	F8038	PLAIN WASHER	33	17
F5H108	STEERING CONNECTOR	59	-	F8056	LOCKWASHER	29	85
F5H115	TRAILERING TILT LOCK WITHOUT POWE TRIM OR TILT	60	-	F8056	SPRING LOCKWASHER	5	7
F5H119	PROPELLER SPACER - FLARED	59	-	F8058	INTERNAL TOOTH LOCKWASHER	21	24
F5H119	WASHER (ACCESSORY ITEM)	37	10	F8061	INTERNAL TOOTH LOCKWASHER	47	12
F5H120	REMOTE CONTROL BACK PLATE	59	-	F8077	WASHER	41	-
F5H130	REMOTE CONTROL BOX (SINGLE LEVER) (SURFACE MOUNT)	59	-	F8077	WASHER, GEAR HOUSING PLUG	39	48
F5H132	REMOTE CONTROL HANDLE TRIM SWITCH	60	-	F8080	SPRING LOCKWASHER	33	20
F5H146	POWER TILT	60	-	F8083	SPRING LOCKWASHER	11	13
F5H150	POWER TRIM	60	-	F8083	SPRING LOCKWASHER	3	20
F5H154	SPEEDOMETER - FLUSH MOUNT	60	-	F8083	SPRING LOCKWASHER	7	63
F5H155	SPEEDOMETER - FLUSH MOUNT	60	-	F8083	SPRING LOCKWASHER	33	2
F5H156	TEMPERATURE GAUGE - FLUSH MOUNT	60	-	F8083	SPRING LOCKWASHER	39	60
F5H157	VOLTMETER - FLUSH MOUNT	59	-	F8083	SPRING LOCKWASHER	41	-
F5H159	HOURMETER - FLUSH MOUNT	59	-	F8088	PLAIN WASHER	5	2
F5H161	POWER TRIM INDICATOR	59	-	F8088	PLAIN WASHER	13	12
F5H167	TACHOMETER FLUSH MOUNT	60	-	F8088	PLAIN WASHER	17	12
F5H178	POWER TRIM SWITCH KIT	60	-	F8090	PLAIN WASHER	5	31
F5H179	TRAILERING LOCK FOR ENGINES WITH POWER TRIM OR TILT	60	-	F8094	PLAIN WASHER	3	21
F5H180	BOAT WHITE ENAMEL	59	-	F8095	PLAIN WASHER	27	48
F615029	TRIGGER ASSY.	7	58	F8096	SPRING LOCKWASHER	3	16
F615358	BRACKET (C.D. - COIL)	5	30	F8096	SPRING LOCKWASHER	3	28
F615475	IGNITION COIL	7	46	F8096	SPRING LOCKWASHER	5	24
F615744	WIRING HARNESS	5	14	F8096	SPRING LOCKWASHER	29	105
F616675	STARTER BRACKET LOWER	11	11	F8096	SPRING LOCKWASHER	35	59
F616955	STARTER COMPLETE.	11	14	F8096	SPRING LOCKWASHER	39	46
F7004	STOP NUT, 3/8 - 16	27	49	F8104	PLAIN WASHER	25	10
F7008	ELASTIC STOP NUT	25	32	F8124	TOOTH LOCKWASHER	7	68
F7008	STOP NUT, 1/4 - 20	21	25	F84011	WASHER	35	46
F7009	LOCK NUT, #10 - 24	29	107	F84074	CLAMP SCREW FOOT	33	30
F7012	STOP NUT	33	25	F84286-1	FRICITION WASHER	35	45
F71H26	BATTERY TERMINAL KIT (ACCESSORY ITEM)	7	48	F84305	SEAL, O-RING PROPELLER SHAFT SPOOL	37	21
				F84305	SEAL, PROPELLER SHAFT SPOOL	41	-
				F84307-1	SEAL, DRIVESHAFT	41	-
				F84314-2	ELBOW	13	9
				F84314-2	ELBOW	17	9
				F84314-2	ELBOW	21	6
				F84314-2	ELBOW	27	46
				F84342	SEAL, INLET WATER LINE, UPPER	37	3
				F84449	NEUTRAL INTERLOCK SWITCH	5	3
				F84472-5	CYLINDER DRAIN COVER GASKET	29	-
				F84472-5	GASKET, CYLINDER DRAIN COVER	25	36
				F84504	GROMMET (THERMOSTAT)	29	89

PARTS INDEX

Part Number	Description	Pg.	Ref. No.	Part Number	Description	Pg.	Ref. No.
F84521-2	CLUTCH	37	30	F89758	FUEL PUMP AIR HOSE -		
F84748-3	CYLINDER DRAIN REED				TOP	21	7
	PLATE GASKET	29	-	F9018	CAP	35	49
F84748-3	GASKET, CYL. DRAIN REED			F9052	PLUG	35	40
	PLATE	27	44	F90619-1	YOKE	39	34
F84792	GASKET, CENTER FUEL			F90807	RETAINING RING	13	34
	PUMP VALVE	21	11	F90807	RETAINING RING	17	34
F84871-1	PIN, GEAR SHIFT W/ YOKE	37	28	F9095	SHIM, DRIVESHAFT		
F85017	PISTON PIN	31	4		BEARING, UPPER .005		
F85033	SWIVEL, CHOKE ROD				SILVER	41	-
	(BOTTOM CARBURETOR)			F9097	SHIM, DRIVESHAFT		
	(NOT SHOWN)	13	-		BEARING, UPPER .010		
F85033	SWIVEL, CHOKE ROD				BLACK	41	-
	(BOTTOM CARBURETOR)			F9106	SHIM, DRIVESHAFT		
	(NOT SHOWN)	17	-		BEARING, UPPER .003		
F85037-1	STERN BRACKET PIVOT				BRASS	41	75
	BOLT	35	50	F91446-1	CIRCUIT BREAKER		
F85117	BRACKET, WATER LINE	37	2		BRACKET	7	41
F85130	BOOT IDLE EXHAUST	33	5	F92759	THROTTLE ROLLER	15	46
F85161-1	REED STOP	21	39	F92759	THROTTLE ROLLER	19	46
F85211	STUD	27	47	F93811	SCREEN	27	43
F85258	INSERT	33	4	F93920	REED STOP	25	39
F85279-2	CYLINDER EXHAUST UPPER			F97772	CLAMP	13	6
	GASKET	29	-	F97772	CLAMP	17	6
F85279-2	GASKET, CYLINDER			F97772	FUEL LINE CLAMP	43	1
	EXHAUST UPPER	27	66	F97772	FUEL LINE CLAMP	45	11
F85314-1	FUEL FITTING	13	7	F98273	ROD END CONNECTOR		
F85314-1	FUEL FITTING	17	7		STUD	27	74
F85317-2	SOLENOID CLAMP	21	21	FA17559	LIFT CYLINDER COMPLETE	51	40
F85372	PIN, GEAR SHIFT ROD			FA17561-1	O-RING	53	44
	LOWER	39	53	FA178233	THROTTLE TIE BAR		
F8538	SPRING PIN	33	32		W/SWIVEL	13	35
F85380	SPRING	33	6	FA178233	THROTTLE TIE BAR		
F85410	SNAP RING	31	8		W/SWIVEL	17	35
F85445	CONTROL ROD	25	20	FA178962	SHOCK ABSORBER W/		
F85498	FLYWHEEL KEY	31	16		BUSHING - 178344	33	34
F85502	THROTTLE LINK	25	26	FA27232	EMERGENCY STARTER		
F85509-1	LINK, CHOKE	13	2		ROPE (NOT SHOWN)	5	-
F85509-1	LINK, CHOKE	17	2	FA335260	PISTON RING SET (2 PER		
F85571	BEARING CAGE W/ROLLER	31	10		SET) - STANDARD	31	1
F85606	KINGPIN CAP	35	56	FA368700	KEY IGNITION - NO LETTER		
F85610	BEARING	27	56		OR STAMPED A	5	19
F85615	GEAR SHIFT ROD UPPER	35	62	FA411222	TRANSFER PORT COVER	27	51
F8563	DOWEL PIN	25	14	FA438431	FUEL PUMP BODY	21	12
F85634-2	CONNECTING ROD SCREW	31	14	FA439493	BRACKET, TERMINAL		
F85660-1	EXHAUST TUBE	33	1		BLOCK	5	10
F85704	COUPLER, GEAR SHIFT			FA439746	FUEL PUMP COVER		
	ROD	35	60		W/PLUG	21	1
F85762	BY-PASS COVER GASKET	29	-	FA440157	CARBURETOR ADAPTER,		
F85762	BY-PASS VALVE COVER				UPPER W/FITTING	21	-
	GASKET	29	100	FA440167	CARBURETOR ADAPTER,		
F85772	CLAMP	33	7		LOWER W/FITTING	21	33
F85779-1	BAFFLE, AIR INTAKE	35	52	FA449015	PISTON	51	29
F85859	STUD	25	15	FA449149	COVER W/ SEALS AND		
F85906	CARBURETOR GASKET	29	-		RETAINER	51	27
F85908	STARTER LEAD WIRE	9	9	FA480179	TRIM TOP	3	1
F85908-1	LEAD WIRE	11	9	FA480269	TILT HANDLE	3	3
F85916-1	BY-PASS VALVE	29	102	FA480876	GEAR SHIFT ARM	27	58
F85924	CHOKE SOLENOID	5	36	FA481469	HANDLE W/SHAFT	3	8
F85965	SHOCK MOUNT UPPER	35	63				

PARTS INDEX

Part Number	Description	Pg.	Ref. No.	Part Number	Description	Pg.	Ref. No.
FA500019	KINGPIN	33	-	FK616128	DRIVESHAFT W/ BEARING	41	73
FA523014	CRANKSHAFT LOWER MAIN BEARING	31	12	FK616917	STARTER RELAY	5	23
FA523054	GEAR HOUSING	39	38	FK85228-1	BEARING CAGE W/ROLLER	31	7
FA523098	PROPELLER SHAFT	37	27	FO10588	BODY CHANNEL CUP PLUG	15	48
FA523136	CAGE, REAR	37	22	FO10588	BODY CHANNEL CUP PLUG	19	48
FA523485	ANTICORROSION ANODE	37	14	FO11103	IDLE MIXTURE SCREW SPRING	13	28
FA523735	SEAL, INLET WATER LINE, LOWER	41	70	FO11103	IDLE MIXTURE SCREW SPRING	17	28
FA528018	CRANKSHAFT	31	15	FO13193	MAIN FUEL JET OPT. .088 4500 - 6000 FT.	15	-
FA552180	TRIM REAR	3	4	FO13193	MAIN FUEL JET OPT. .088 4500 - 6000 FT.	19	-
FA552888	TRIM, FRONT	3	33	FO13554	FLOAT	13	25
FA552944	ENGINE COVER	3	5	FO13554	FLOAT	17	25
FA58976-1	CONNECTOR, THROTTLE CABLE	47	1	FO13944	FLOAT LEVER PIN	13	24
FA599396	DECAL, STARBOARD.	3	-	FO13944	FLOAT LEVER PIN	17	24
FA599397	DECAL, PORT.	3	7	FO13949	MAIN FUEL JET OPT. .086 6000 FT. & UP	15	-
FA599752	FUEL LINE COMPLETE.	43	-	FO13949	MAIN FUEL JET OPT. .086 6000 FT. & UP	19	-
FA607689	BEARING TOWERSHAFT	29	108	FO14166	IDLE MIXTURE SCREW	13	29
FA609853	DECAL, WARNING	7	65	FO14166	IDLE MIXTURE SCREW	17	29
FA615095	ALTERNATOR STATOR	7	59	FO14190	MAIN FUEL JET OPT. .092 1500 - 3000 FT.	19	-
FA615097	FLYWHEEL	7	61	FO14190	MAIN FUEL JET OPT. .092 1500 - 3000 FT.	15	-
FA615518	CYLINDER HEAD	27	77	FO14191	MAIN FUEL JET STD. .0937 SEA LEVEL - 1500 FT.	13	40
FA616497	TERMINAL BLOCK	5	13	FO14191	MAIN FUEL JET STD. .0937 SEA LEVEL - 1500 FT.	17	40
FA617450	RECTIFIER	5	9	FO15406	MAIN FUEL JET OPT. .090 3000 - 4500 FT.	15	-
FA84621-1	COUPLING, GEAR SHIFT ARM W/ BUSHING	39	50	FO15406	MAIN FUEL JET OPT. .090 3000 - 4500 FT.	19	-
FA84754-1	FUEL LINE SHORT W/ FERRULES	43	5	FO15623	FUEL BOWL GASKET	13	26
FA84754-1	FUEL LINE SHORT W/ FERRULES	45	8	FO15623	FUEL BOWL GASKET	17	26
FA85135-4	LEG COVER FRONT	35	57	FO16128	BODY CHANNEL WELCH PLUG	15	49
FA85193	TIE BAR END W/SWIVEL	13	38	FO16128	BODY CHANNEL WELCH PLUG	19	49
FA85193	TIE BAR END W/SWIVEL	17	38	FO16130	FUEL BOWL	13	22
FA85355-1	WASHER	35	66	FO16130	FUEL BOWL	17	22
FA85655-1	CRANKSHAFT MAIN BEARING RACE W/SNAP RING	31	9	FO16132	FUEL BOWL RETAINING SCREW	13	20
FB368700	KEY IGNITION - STAMPED B	5	-	FO16132	FUEL BOWL RETAINING SCREW	17	20
FC368700	KEY IGNITION - STAMPED C	5	-	FO16133	MAIN NOZZLE	13	23
FC500390	DECAL, STARTER - CANADA (NOT SHOWN)	9	-	FO16133	MAIN NOZZLE	17	23
FC529398	DECAL, WIRING	29	93	FO16142	THROTTLE SHUTTER	15	50
FC552054	GEAR HOUSING COMPLETE.	41	-	FO16142	THROTTLE SHUTTER	19	50
FD368700	KEY IGNITION - STAMPED D	5	-	FO16143	THROTTLE SHAFT RETURN SPRING	15	41
FE368700	KEY IGNITION - STAMPED E	5	-	FO16143	THROTTLE SHAFT RETURN SPRING	19	41
FG1019	GASKET SET	29	103	FO16301	CHOKE SHAFT AND LEVER	13	17
FK10023	GASKET SET.	13	-	FO16301	CHOKE SHAFT AND LEVER	17	17
FK10023	GASKET SET.	17	-	FO16620	E-RING	13	10
FK10103	REPAIR PARTS KIT.	13	1	FO16620	E-RING	17	10
FK10103	REPAIR PARTS KIT.	17	1	FO16993	BY PASS TUBE	15	51
FK10107	INLET NEEDLE AND SEAT	17	19				
FK10170	INLET NEEDLE AND SEAT	13	19				
FK1063-2	SEAL KIT	41	77				
FK1069	WATER PUMP KIT	41	78				
FK1123	SPARKIE KIT	7	54				
FK17156	BAG ASSEMBLY (NOT SHOWN).	49	-				

PARTS INDEX

Part Number	Description	Pg.	Ref. No.	Part Number	Description	Pg.	Ref. No.
FO16993	BY PASS TUBE	19	52	FT8903	SEAL INSTALLER	55	-
FO17719	CHOKE, SHUTTER	13	30	FT8907	DRIVE HANDLE	55	-
FO17719	CHOKE, SHUTTER	17	30	FT8907	DRIVER HANDLE	56	-
FO17884	THROTTLE SHAFT AND LEVER	15	42	FT8914	SEAL REMOVER	55	-
FO17884	THROTTLE SHAFT AND LEVER	19	42	FT8918	BEARING GUIDE SET	56	-
FO17885	CHOKE SHAFT RETURN SPRING	13	18	FT8919	SPRING PIN PUNCH	56	-
FO17885	CHOKE SHAFT RETURN SPRING	17	18	FT8925	SEAL INSTALLER	55	-
FO1974	SCREW	15	44	FT8925	SEAL INSTALLER	56	-
FO1974	SCREW	19	44	FT8926	RING EXPANDER	55	-
FO5323	FUEL BOWL RETAINING SCREW GASKET	13	21	FT8927	SEAL PROTECTOR	55	-
FO5323	FUEL BOWL RETAINING SCREW GASKET	17	21	FT8933	LIFTING HOOK	55	-
FO8942	CHOKE AND THROTTLE SHUTTER SCREW	13	31	FT8935	SEALANT PRIMER - 6 OZ.	58	-
FO8942	CHOKE AND THROTTLE SHUTTER SCREW	17	31	FT8936-1	SEALANT - 2 CC LOCTITE RETAINING COMPOUND #75	58	-
FO9678	CLIP, CHOKE SHAFT	13	39	FT8948-1	PULLER	54	-
FO9678	CLIP, CHOKE SHAFT	17	39	FT8948-1	PULLER	56	-
FO992	LOCKWASHER	15	43	FT8950	LEAKAGE TESTER	57	-
FO992	LOCKWASHER	19	43	FT8953	IGNITION TESTER	57	-
FPS524	PROPELLER (ACCESSORY ITEM)	37	11	FT8955	SEALANT - 5 OZ. EC - 750 INDUSTRIAL SEALANT	58	-
FS409752	FUEL LINE COMPLETE.	45	-	FT8957	SEAL INSTALLER	56	-
FS85019	KINGPIN	33	37	FT8969	LUBRICANT - 7 OZ. LPSI LUBRICANT	58	-
FS85872-1	BRACKET	27	72	FT8978	POWER TIMING LIGHT	54	-
FSA335260	PISTON RING (2 PER SET) .010 OVERSIZE	31	-	FT8983	SEALANT - 3 OZ. RTV SEALANT FROM IN PLACE GASKETS	58	-
FT1082	SNAP RING PLIER	55	-	FT8985	SEAL INSTALLER	56	-
FT11204	BEARING CUP INSTALLER	56	-	FT8997	SHIMMING TOOL	56	-
FT11205	BEARING INSTALLER/REMOVER	56	-	FTA2937-1	TIMING TOOL	54	-
FT11207	BEARING CUP REMOVER	56	-	FTA8994	PISTON PIN TOOL	55	-
FT11209	BEARING GUIDE SET	56	-	FTK8999	TEST WHEEL	57	-
FT2938-1	BATTERY POWERED TEST LIGHT	54	-	22-818103--1	ELBOW, CYLINDER DRAIN LOWER	25	34
FT2951	CIRCUIT TRACER	54	-	32-817738A1	FUEL LINE	43	2
FT2953	SOCKET	55	-	32-817738A1	FUEL LINE LONG	45	10
FT2961	LUBRICANT - RYKON GREASE #2EP	58	-	33-818007--1	SPARK PLUG (CHAMPION UL18V) - USA	29	83
FT2962-2	SEALANT - 50 CC LOCTITE H. NON-HARDENING GRADE	58	-	39-818110A1	PISTON RING (2 PER SET) .030 OVERSIZE	31	-
FT2963-2	SEALANT - 2 OZ. LOCTITE D, HARDENING GRADE	58	-	43-817854A2	BEVEL OPINION GEAR	39	40
FT2987-1	LUBRICANT - ANTI-SEIZE	58	-	43-818068A2	BEVEL GEAR FRONT W/ BEARING AND SHIMS	39	32
FT2990	PISTON PIN TOOL	55	-	45-817961A6	DRIVESHAFT W/ BEARING	41	-
FT2991	CARBON BRUSH	55	-	46-817853A1	WATER PUMP	41	-
FT2996	RING COMPRESSOR	55	-	46-817853A1	WATER PUMP BODY	39	65
FT2998	TORQUE WRENCH	55	-	87-817939A1	THERMOSWITCH	5	6
FT2999	TORQUE WRENCH	55	-	600-818052A4	CONNECTING ROD W/CAP	31	6
FT3012	SEAL INSTALLER	56	-	700-817988A2	PISTON .010 OVERSIZE	31	-
FT7848	TORQUING ADAPTER	56	-	700-818111A2	PISTON .030 OVERSIZE	31	-
FT8900	HOSE CLAMP PLIERS	55	-	700-F372015-3	PISTON - STANDARD	31	2
FT8901	INDICATOR HOLDER	56	-	800-817864A6	CYLINDER W/CRANKCASE COVER	25	1
FT8902	DIAL INDICATOR	56	-	800-818154A6	SHORT BLOCK	25	-
				1400-817958A6	STERN BRACKET	33	24
				1600-819196A3	GEAR HOUSING COMPLETE.	41	-