



PARTS CATALOG

FORCE 1986 125 H.P.

SERIAL NUMBER

125 H.P. (1986)	1251F6A
125 H.P. (1986)	1251F6B
125 H.P. (1986)	1251FC6A
125 H.P. (1986)	1251FC6B
125 H.P. (1986)	1251X6A
125 H.P. (1986)	1251X6B
125 H.P. (1986)	1251XC6A
125 H.P. (1986)	1251XC6B
125 H.P. (1986)	1253X6B
125 H.P. (1986)	1254X6A
125 H.P. (1986)	1254X6B
125 H.P. (1986)	1258F6A
125 H.P. (1986)	1258F6B
125 H.P. (1986)	1258FC6A
125 H.P. (1986)	1258FC6B
125 H.P. (1986)	1258V6B
125 H.P. (1986)	1258X6A
125 H.P. (1986)	1258X6B
125 H.P. (1986)	1258XC6A
125 H.P. (1986)	1258XC6B

TABLE OF CONTENTS:

ACCESSORIES	59
CARBURETOR	16
CRANKSHAFT AND PISTON	30
ELECTRICAL COMPONENTS "A" MODELS	6
ELECTRICAL COMPONENTS "B" MODELS	10
ENGINE COVER AND SUPPORT PLATE	2
FUEL LINE	46
FUEL PUMP AND REED PLATE	20
FUEL TANK AND LINE	48
GEAR HOUSING	36
MOTOR LEG	32
PARTS INDEX	62
POWER HEAD	24
POWER TRIM UNIT	50
REMOTE CONTROL	42
SPECIAL TOOLS - GEAR HOUSING	56
SPECIAL TOOLS - LUBRICANTS AND SEALANTS	58
SPECIAL TOOLS - POWER HEAD	55
SPECIAL TOOLS - TEST EQUIPMENT	57
SPECIAL TOOLS - TUNE-UP	54
STARTER	14

NOTE: *Indented description indicate that these parts are included in preceeding assembly.*

AR = As Required

NSS = Not Sold Separate

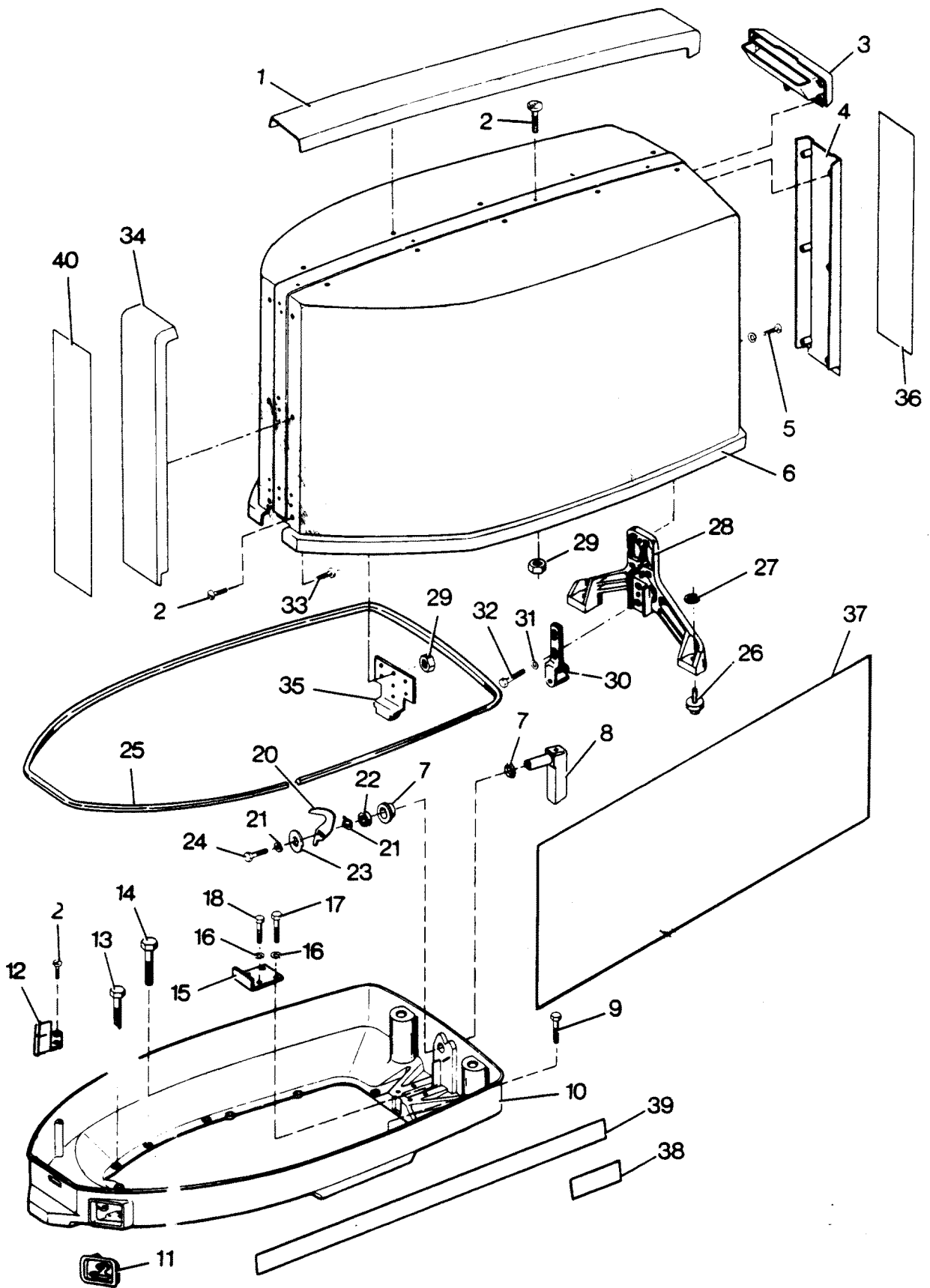
OPT = Optional

NS = Not Shown

THESE PARTS BOOKS/FICHE CARD ARE COPYRIGHTED AND MAY NOT BE DISTRIBUTED OR REPRODUCED IN ANY OTHER FORMAT BY ANYONE OTHER THAN MERCURY MARINE WITHOUT THE PRIOR WRITTEN CONSENT OF MERCURY MARINE.

THIS PAGE INTENTIONALLY LEFT BLANK

ENGINE COVER AND SUPPORT PLATE

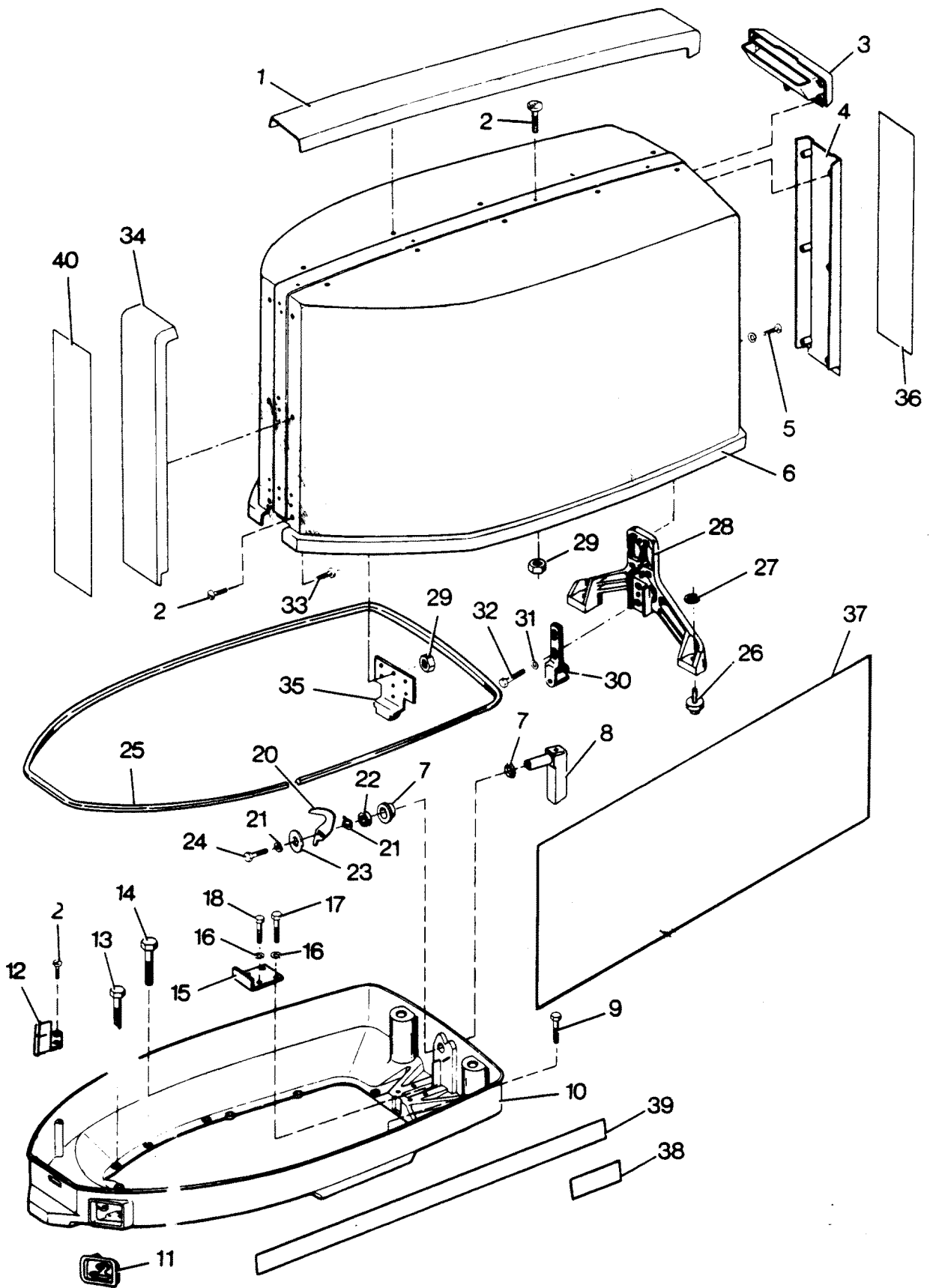


ENGINE COVER AND SUPPORT PLATE

REF. NO.	PART NO.	SYM.	QTY.	DESCRIPTION
1	FA480179		1	TRIM, TOP W/LITERATURE
2	F1733		10	PAN HD SCREW, 10 - 24 X 9/16
3	FA480269		1	TILT HANDLE W/LITERATURE
4	FA522180		1	TRIM, REAR W/LITERATURE
5	F1730		3	PAN HD SCREW, W/SPRING LOCKWASHER, 1/4 - 20 X 5/8
-	F548984		1	BLANKET, SILENCER TOP (NOT SHOWN)
-	F552985		2	BLANKET, SILENCER SIDE (NOT SHOWN)
6	FA552944		1	ENGINE COVER W/ILLUS. 2, 29 AND 35
-	F3C654944		1	ENGINE COVER COMPLETE. INCLUDES ALL ITEMS MARKED WITH AN ASTERISK (*).
7	F286818		2	BEARING, LATCH SHAFT
8	FA481469		1	ENGINE COVER LATCH HANDLE W/SHAFT
9	F1864		6	HEX CAP SCREW, 1/4 - 20 X 3/4
10	F480038-2		1	SUPPORT PLATE
11	F549189		1	BUSHING, ELECTRIC CABLE
12	F545189		1	BUSHING CABLE ENTRY
13	F1708		2	HEX HD CAP SCREW, 1/4 - 20 X 1-3/8
14	F1922		5	HEX SLOT HD SCREW, 1/4 - 20 X 5/8
15	F335654-1		1	DEFLECTION STOP
16	F8096		4	SPRING LOCKWASHER
17	F1857		2	HEX CAP SCREW, 5/16 - 18 X 5/8
18	F1858		2	HEX CAP SCREW, 5/16 - 18 X 1
19	F8083		1	SPRING LOCKWASHER
20	F481777		1	CAM, LATCH SHAFT
21	F2047		1	WAVE SPRING WASHER
22	F481382-1		1	SPACER, LATCH SHAFT
23	F8094		1	PLAIN WASHER
24	F1854		1	HEX CAP SCREW 1/4 - 20 5/8
25	F321756		1	PACKING
26	F481434		2	GUIDE, ENGINE COVER
27	F2088		2	FASTENER
28	F481774		1	BRACKET, ENGINE COVER LATCH
29	F1473		7	HEX NUT, 10 - 24
30	FA481743		1	BRACKET, ROLLER LATCH W/ROLLER
31	F8096		2	SPRING LOCKWASHER
32	F1857		2	HEX CAP SCREW, 5/16 - 18 X 5/8
33	F2066		30	PAN HD TAPPING SCREW, 10 X 7/16
34	FA552888		1	TRIM, FRONT W/LITERATURE
35	F333480-1		1	RETAINER, ENGINE COVER
36	F654528		1	DECAL, REAR

CONTINUED ON NEXT PAGE ➡

ENGINE COVER AND SUPPORT PLATE

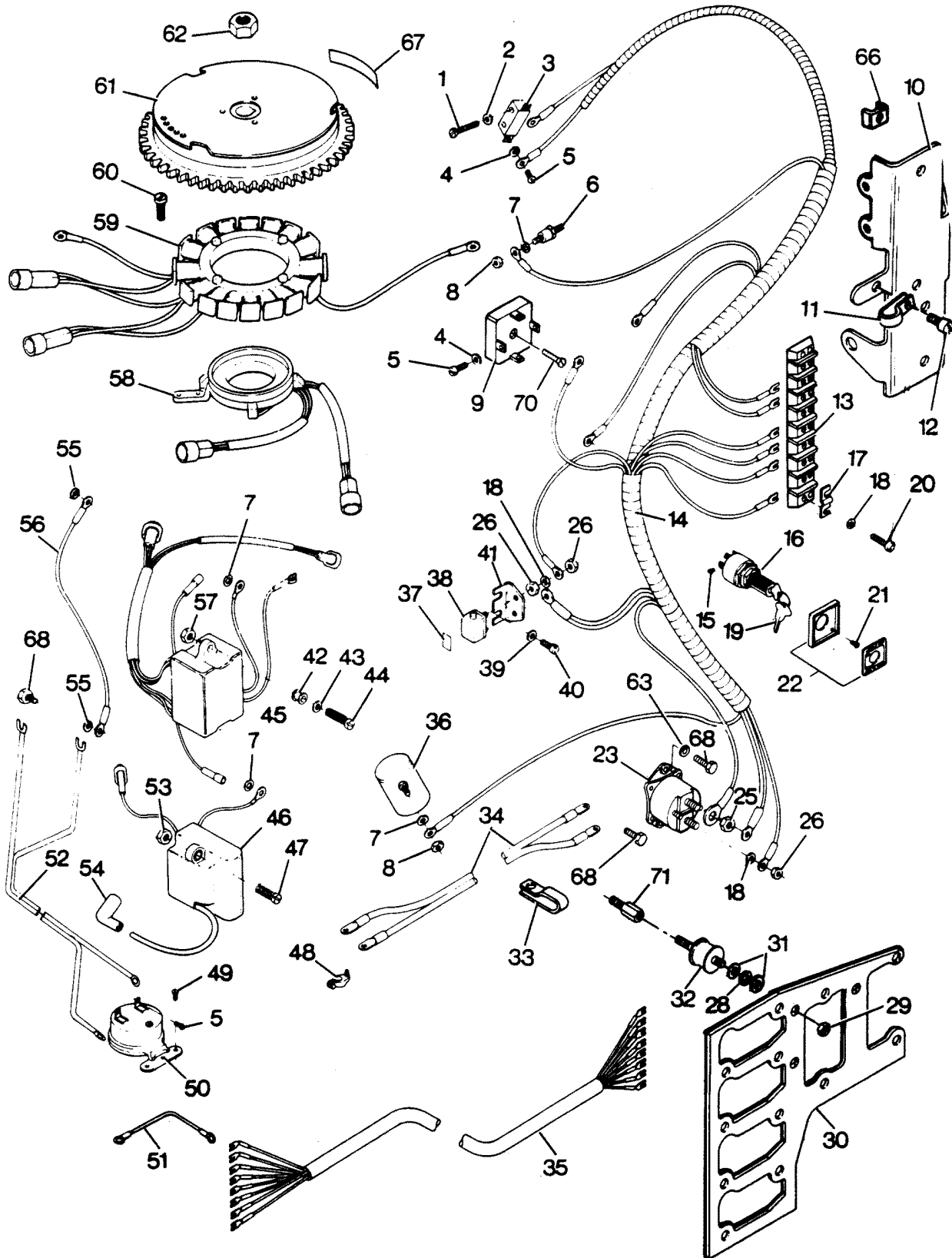


ENGINE COVER AND SUPPORT PLATE

REF. NO.	PART NO.	SYM.	QTY.	DESCRIPTION
37	F654397		1	DECAL, ENGINE COVER PORT
-	F654396		1	DECAL, ENGINE COVER STARBOARD
38	FA630374		1	DECAL, SWIRL W/LITERATURE
39	FA653391		1	DECAL, SUPPORT PLATE W/ILLUS. 38 AND LITERATURE
40	F654892		1	DECAL, FRONT

ELECTRICAL COMPONENTS "A" MODELS

"A" Model



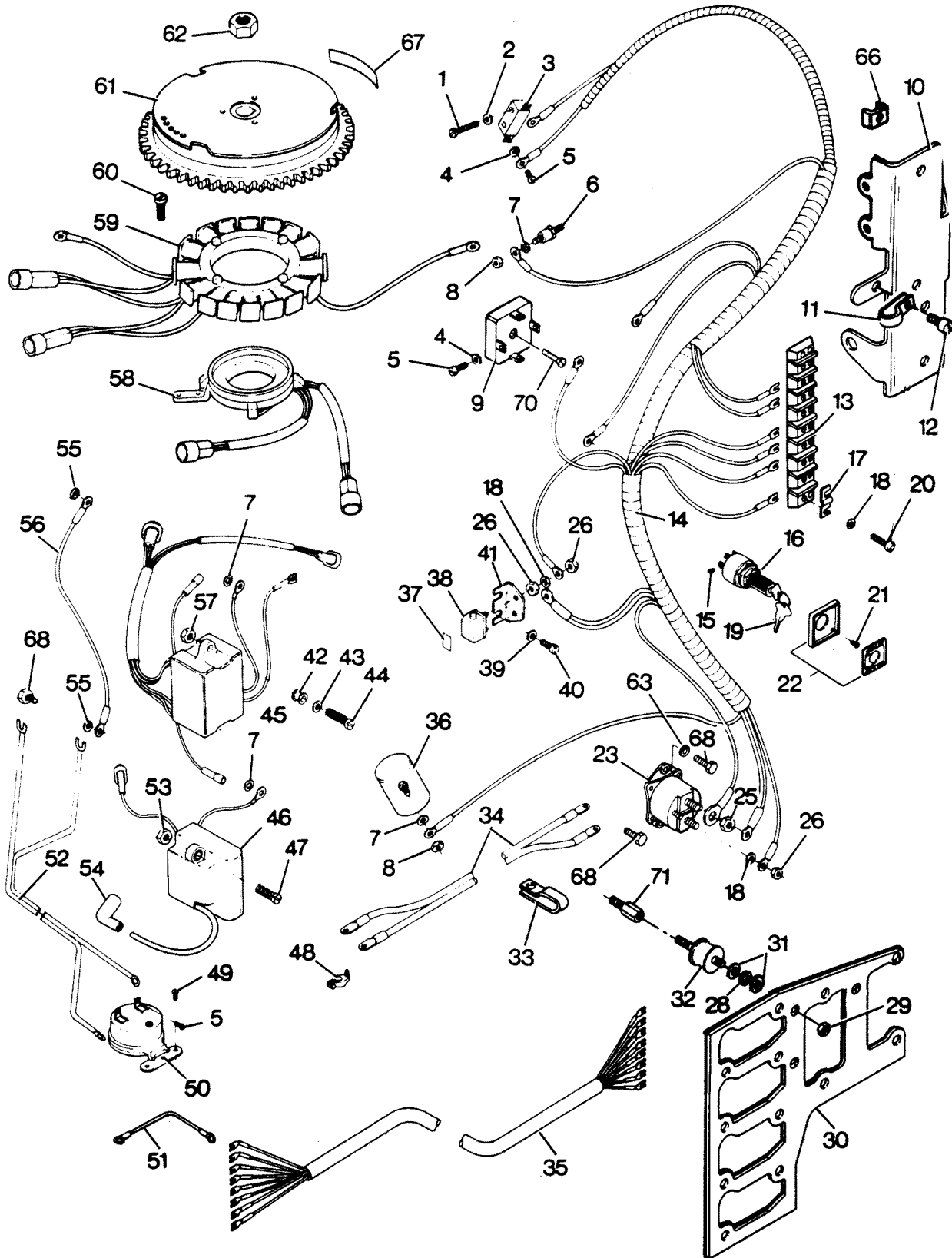
ELECTRICAL COMPONENTS "A" MODELS

REF. NO.	PART NO.	SYM.	QTY.	DESCRIPTION
1	F2016		2	SLOTTED FILL HD SCREW. 6 - 32 X 7/8
2	F8088		2	PLAIN WASHER
3	F84449		1	NEUTRAL INTERLOCK SWITCH
4	F1704		6	INTERNAL TOOTH LOCKWASHER
5	F1645		8	RD HD SCREW, 6 - 32 X 1/4
6	87-817939A1		1	THERMOSWITCH W/ILLUS. 7 AND 8 ORIGINAL FORCE P/N A 311449-1
7	F8056		2	SPRING LOCKWASHER
8	F1647		2	HEX NUT, 8 - 32
9	F650450		1	RECTIFIER W/ILLUS. 4, 5, 70 AND LITERATURE
10	FA439493		1	BRACKET, TERMINAL BLOCK W/ILLUS. 12
11	F289446-1		1	CLAMP, REMOTE ELEC. CABLE TO BRACKET
12	F1734		0	FILL HD. SCREW, 1/4 - 20 X 1/2
13	FA616497		1	TERMINAL BLOCK W/ILLUS. 17
14	F616744		1	WIRING HARNESS
15	F1280		6	SLOTTED PAN HD SCREW, 8 - 32 X 1/4
16	F5H078		1	SWITCH, IGNITION LONG BARREL W/ KEYS AND SCREWS (ACCESSORY ITEM)
17	F307317		2	CLIP TERMINAL BLOCK GROUND
18	F1975		6	LOCKWASHER
19	817782--1		0	KEY IGNITION - NO LETTER OR STAMPED A
-	817883--1		0	KEY IGNITION - STAMPED B
-	817891--1		0	KEY IGNITION - STAMPED C
-	817928--1		0	KEY IGNITION - STAMPED D
-	817929--1		0	KEY IGNITION - STAMPED E
-	FA27232		1	EMERGENCY STARTER ROPE (NOT SHOWN)
20	F1648		2	PAN HD SCREW, 10 - 24 X 3/4
21	F1934		4	FLAT HD SCREW, 6 X 12
22	F5H038		1	IGNITION SWITCH MOUNTING KIT (ACCESSORY ITEM)
23	FK460917		1	STARTER RELAY W/ILLUS. 63, 68 AND LITERATURE
24	F8096		2	SPRING LOCKWASHER
25	F1515		2	HEX NUT, S.S., 5/16 - 18
26	F1513		6	HEX NUT, 10 - 32
28	F8090		3	PLAIN WASHER
29	F1515		3	HEX NUT, 5/16 - 18
30	F615358-2		1	BRACKET (C.D. - COIL)
31	F8124		6	EXTERNAL TOOTH LOCKWASHER
32	F215962		3	MOUNT (SHOCK - C.D. UNIT)
33	F407446		1	CLAMP
34	F381896-4		1	BATTERY CABLE
35	F5H070		1	ELECTRIC CONTROL CABLE, 21 FEET (ACCESSORY ITEM)
-	F630843		1	ELECTRICAL CABLE, 22 FEET - BAYLINER
36	FA654924		1	CHOKE SOLENOID W/CLAMP
37	F510374-1		1	DECAL, CIRCUIT BREAKER

CONTINUED ON NEXT PAGE ➡

ELECTRICAL COMPONENTS "A" MODELS

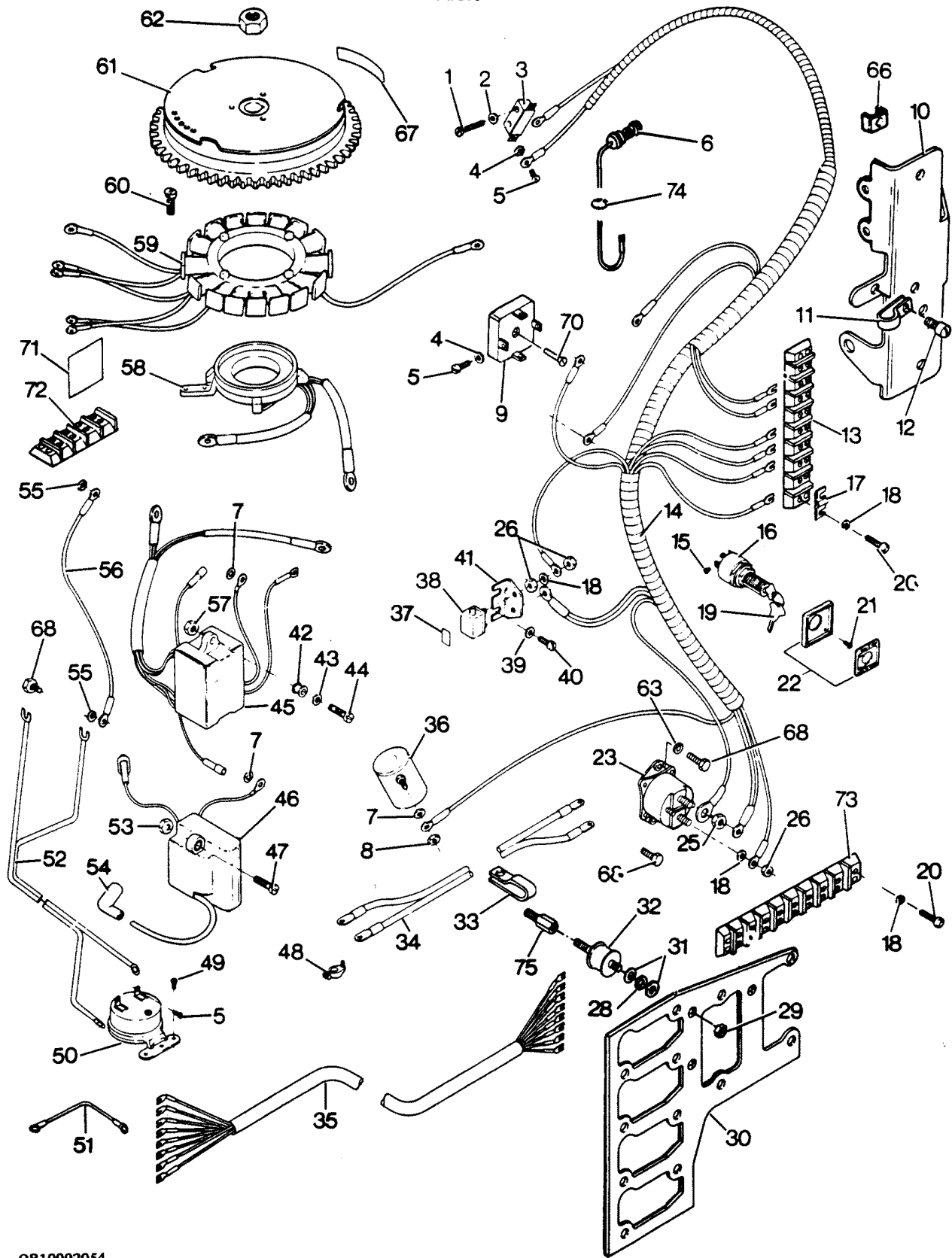
"A" Model



ELECTRICAL COMPONENTS "A" MODELS

REF. NO.	PART NO.	SYM.	QTY.	DESCRIPTION
38	F510460		1	CIRCUIT BREAKER
39	F8011		2	PLAIN WASHER
40	F1760		2	SLOTTED PAN HD SCREW, 10 - 24 X 3/8
41	F91446-1		1	CIRCUIT BREAKER BRACKET
42	F475504		4	GROMMET
43	F8028		4	PLAIN WASHER
44	F2008		4	HEX HD. SC., 1/4 - 20 X 7/8
45	F475301-1		2	MODULE
46	F615475		4	IGNITION COIL
47	F2008		6	SLOTTED PAN HD SCREW, 1/4 - 20 X 7/8
48	F5H041		1	BATTERY TERMINAL KIT (ACCESSORY ITEM)
49	F1741		2	PAN HD SCREW, 8 X 3/4
50	F5H043		1	BUZZER, HEAT INDICATOR (ACCESSORY ITEM)
51	F345683		1	WIRE, GROUND (RECTIFIER TO STARTER BOLT)
52	F404841		1	CABLE, HEAT INDICATOR
53	F1341		6	NUT, 1/4 - 20
54	FK1123		4	SPARKIE KIT
55	F2106		2	LOCKWASHER
56	F319908		1	WIRE, GROUND (C.D.-COIL BRACKET)
57	F1832		4	NUT, LOCK 1/4 - 20
58	F615029		1	TRIGGER ASSY.
59	FA615095		1	ALTERNATOR STATOR
60	F1550		4	SLOTTED PAN HD SCREW #12 - 24 X 1
61	FA615097		1	FLYWHEEL W/ILLUS. 67
62	F1968		1	HEX NUT 3/4 - 16
63	F8083		1	SPRING LOCKWASHER
64	F1877		1	TY-RAP (NOT SHOWN)
66	F438668		1	RETAINER
67	FA609853		1	DECAL, WARNING W/LITERATURE
68	F1705		3	HEX WASHER HD M SCREW, 1/4 - 20 X 3/4
70	F1303		1	PAN HD SCREW, 8 - 32 X 3/4
71	F322273		1	STUD

ELECTRICAL COMPONENTS "B" MODELS



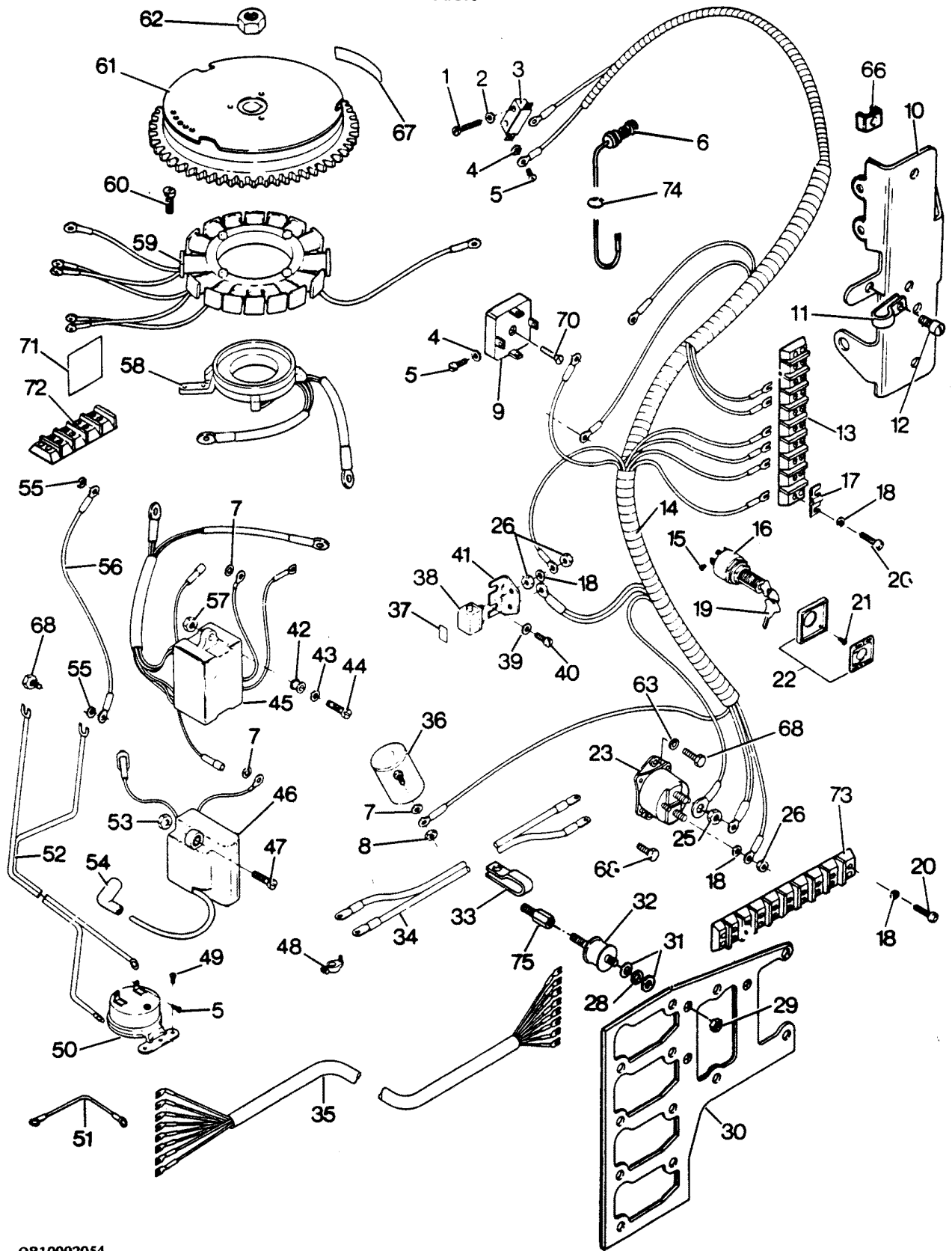
OB10002054

ELECTRICAL COMPONENTS "B" MODELS

REF. NO.	PART NO.	SYM.	QTY.	DESCRIPTION
1	F2016		2	SLOTTED FILL HD SCREW, 6 - 32 X 7/8
2	F8088		2	PLAIN WASHER
3	F84449		1	NEUTRAL INTERLOCK SWITCH
4	F1704		6	INTERNAL TOOTH LOCKWASHER
5	F1645		8	RD HD SCREW, 6 - 32 X 1/4
6	F629449		1	THERMOSWITCH
7	F8056		2	SPRING LOCKWASHER
8	F1647		2	HEX NUT, 8 - 32
9	F650450		1	RECTIFIER WILLUS. 4, 5, 70 AND LITERATURE
10	FA439493		1	BRACKET, TERMINAL BLOCK WILLUS. 12 & 66
11	F289446-1		1	CLAMP, REMOTE ELEC. CABLE TO BRACKET
12	F1734		2	FILL HD SCREW, 1/4 - 20 X 1/2
13	FA616497		1	TERMINAL BLOCK WILLUS. 17 & 20
14	F653744		1	WIRING HARNESS
15	F1280		6	SLOTTED PAN HD SCREW, 8 - 32 X 1/4
16	F5H078		1	SWITCH, IGNITION LONG BARREL W/KEYS AND SCREWS (ACCESSORY ITEM)
17	F307317		7	CLIP, TERMINAL BLOCK GROUND
18	F1975		6	LOCKWASHER
19	817782--1		0	KEY IGNITION - NO LETTER OR STAMPED A
-	817883--1		0	KEY IGNITION - STAMPED B
-	817891--1		0	KEY IGNITION - STAMPED C
-	817928--1		0	KEY IGNITION - STAMPED D
-	817929--1		0	KEY IGNITION - STAMPED E
-	FA27232		1	EMERGENCY STARTER ROPE (NOT SHOWN)
20	F1648		2	PAN HD SCREW, 10 - 24 X 3/4
21	F1934		4	FLAT HD SCREW, 6 X 1/2
22	F5H038		1	IGNITION SWITCH MOUNTING KIT
23	FK460917		1	STARTER RELAY WILLUS. 63, 68 AND LITERATURE
24	F8096		2	SPRING LOCKWASHER
25	F1515		2	HEX NUT, S.S., 5/16 - 18
26	F1513		6	HEX NUT, 10 - 32
28	F8090		3	PLAIN WASHER
29	F1515		3	HEX NUT, 5/16 - 18
30	FS664358		1	BRACKET (C.D.-COIL)
31	F8124		6	EXTERNAL TOOTH LOCKWASHER
32	F215962		3	MOUNT (SHOCK - C.D. UNIT)
33	F407446		1	CLAMP
34	F381896-4		1	BATTERY CABLE
35	F5H070		1	ELECTRIC CONTROL CABLE, 21 FEET
-	F630843		1	ELECTRIC CONTROL CABLE, 22 FEET - BAYLINER
36	FA654924		1	CHOKE SOLENOID W/ CLAMP
37	F510374-1		1	DECAL, CIRCUIT BREAKER

CONTINUED ON NEXT PAGE ➡

ELECTRICAL COMPONENTS "B" MODELS

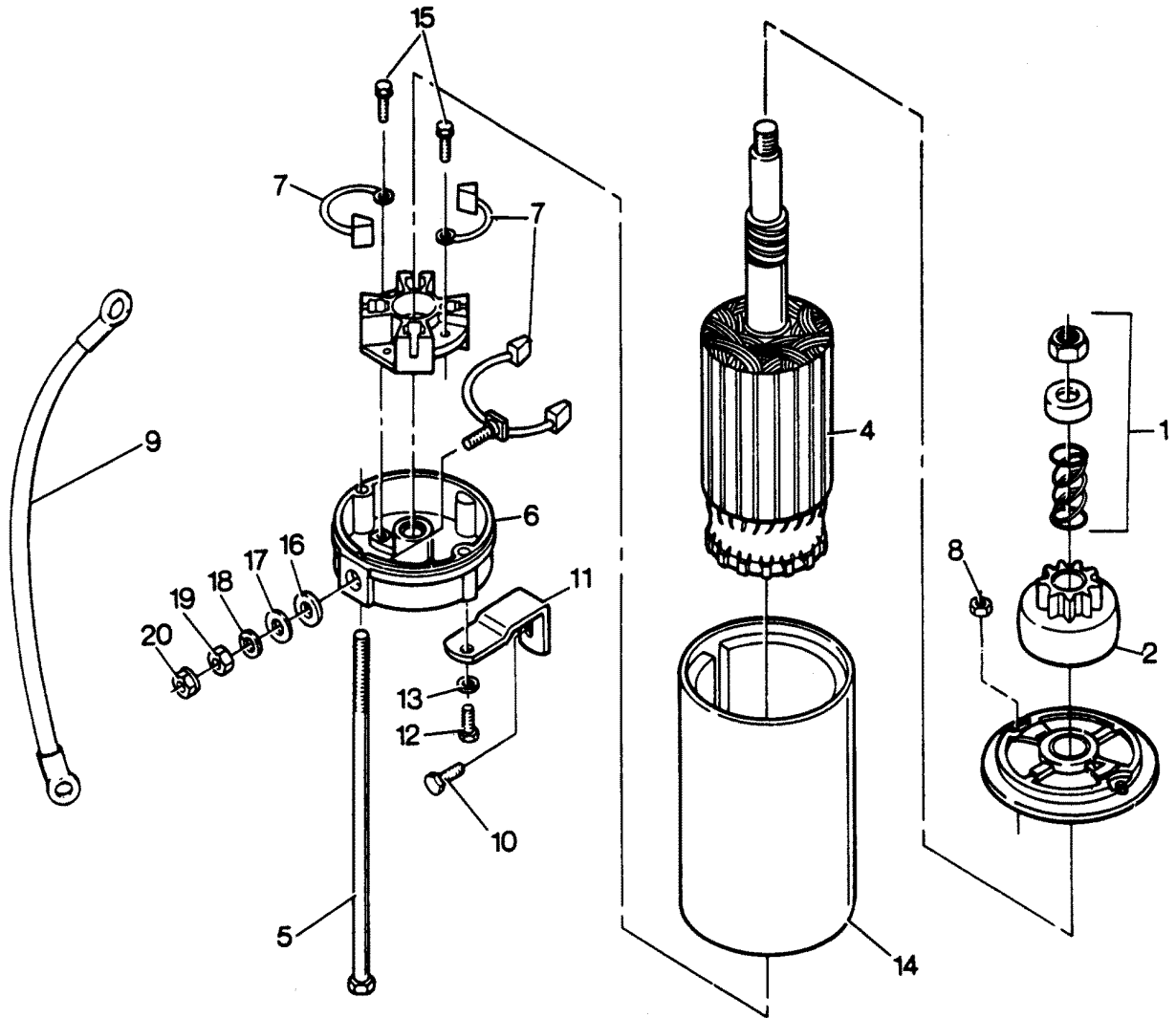


OB10002054

ELECTRICAL COMPONENTS "B" MODELS

REF. NO.	PART NO.	SYM.	QTY.	DESCRIPTION
38	F510460		1	CIRCUIT BREAKER
39	F8011		2	PLAIN WASHER
40	F1760		2	SLOTTED PAN HD SCREW, 10 - 24 X 3/8
41	F91446-1		1	CIRCUIT BREAKER BRACKET
42	F475504		4	GROMMET
43	F8028		4	PLAIN WASHER
44	F2008		4	HEX HD. M. S.C., 1/4 - 20 X 7/8
45	F653301		2	MODULE
46	F615475		4	IGNITION COIL
47	F2008		6	SLOTTED PAN HD SCREW 1/4 - 20 X 7/8
48	F5H041		1	BATTERY TERMINAL KIT (ACCESSORY ITEM)
49	F1741		2	PAN HD SCREW 8 X 3/4
50	F5H043		1	BUZZER, HEAT INDICATOR
51	F345683		1	WIRE, GROUND (RECTIFIER TO STARTER BOLT)
52	F404841		1	CABLE, HEAT INDICATOR
53	F1341		6	NUT, 1/4 - 20
54	FK1123		4	SPARKIE KIT
55	F2106		2	LOCKWASHERE
56	F319908		1	WIRE, GROUND (C.D.-COIL BRACKET)
57	F1832		4	NUT, LOCK 1/4 - 20
58	F654029		1	TRIGGER ASSY.
59	F653095		1	ALTERNATOR STATOR
60	F1550		4	SLOTTED PAN HD SCREW #12 - 24 X 1
61	FA615097		1	FLYWHEEL W/ILLUS. 67
62	F1968		1	HEX NUT, 3/4 - 16
63	F8083		1	SPRING LOCKWASHER
64	F1877		1	TY-RAP (NOT SHOWN)
66	F438668		1	RETAINER
67	FA609853		1	DECAL, WARNING W/LITERATURE
68	F1705		3	HEX WASHER HD. M SCREW, 1/4 - 20 X 3/4
70	F1303		1	PAN HD SCREW, 8 - 32 X 3/4
71	F654398		1	DECAL, 4 CYL. WIRING
72	F653497		1	TERMINAL BLOCK
73	F654497		1	TERMINAL BLOCK
74	F428096		1	RETAINER, THERMOSWITCH
75	F322273		1	STUD

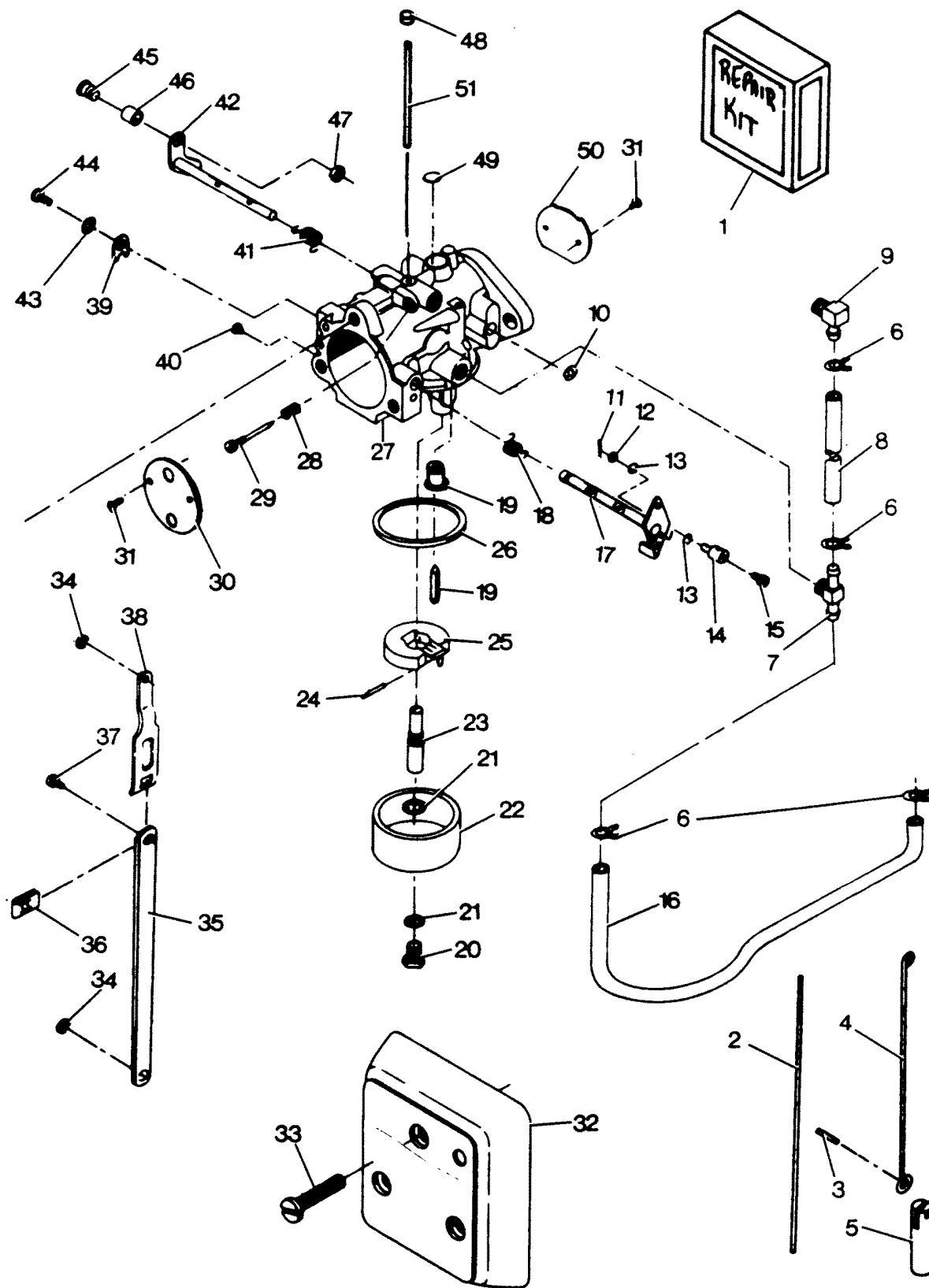
STARTER



STARTER

REF. NO.	PART NO.	SYM.	QTY.	DESCRIPTION
1	F15174		1	DRIVE KIT
2	F15175		1	DRIVE ASSEMBLY PINION
3	F15176		1	CAP STARTER DRIVE
4	F15177		1	ARMATURE
5	F15178		1	THRU BOLT PACKAGE
6	F15179		1	COMMUTATOR
7	F15164		1	BRUSH KIT
8	F1641		2	LOCK NUT
9	F85908-1		1	LEAD WIRE
10	F1922		1	HEX CAP SCREW, 1/4 - 20 5/8
11	F616675		1	STARTER BRACKET LOWER
12	F1854		1	HEX HD CAP SCREW, 1/4 - 20 5/8
13	F8083		1	SPRING LOCKWASHER
14	F616955		1	STARTER COMPLETE. INCLUDES ALL ITEMS MARKED WITH AN ASTERISK (*).
15	F15158		1	SCREW, BRUSH HOLDER
16	F15160		1	INSULATOR WASHER
17	F15161		1	PLAIN WASHER
18	F15152		1	LOCKWASHER
19	F1341		1	NUT
20	F15162		1	NUT

CARBURETOR

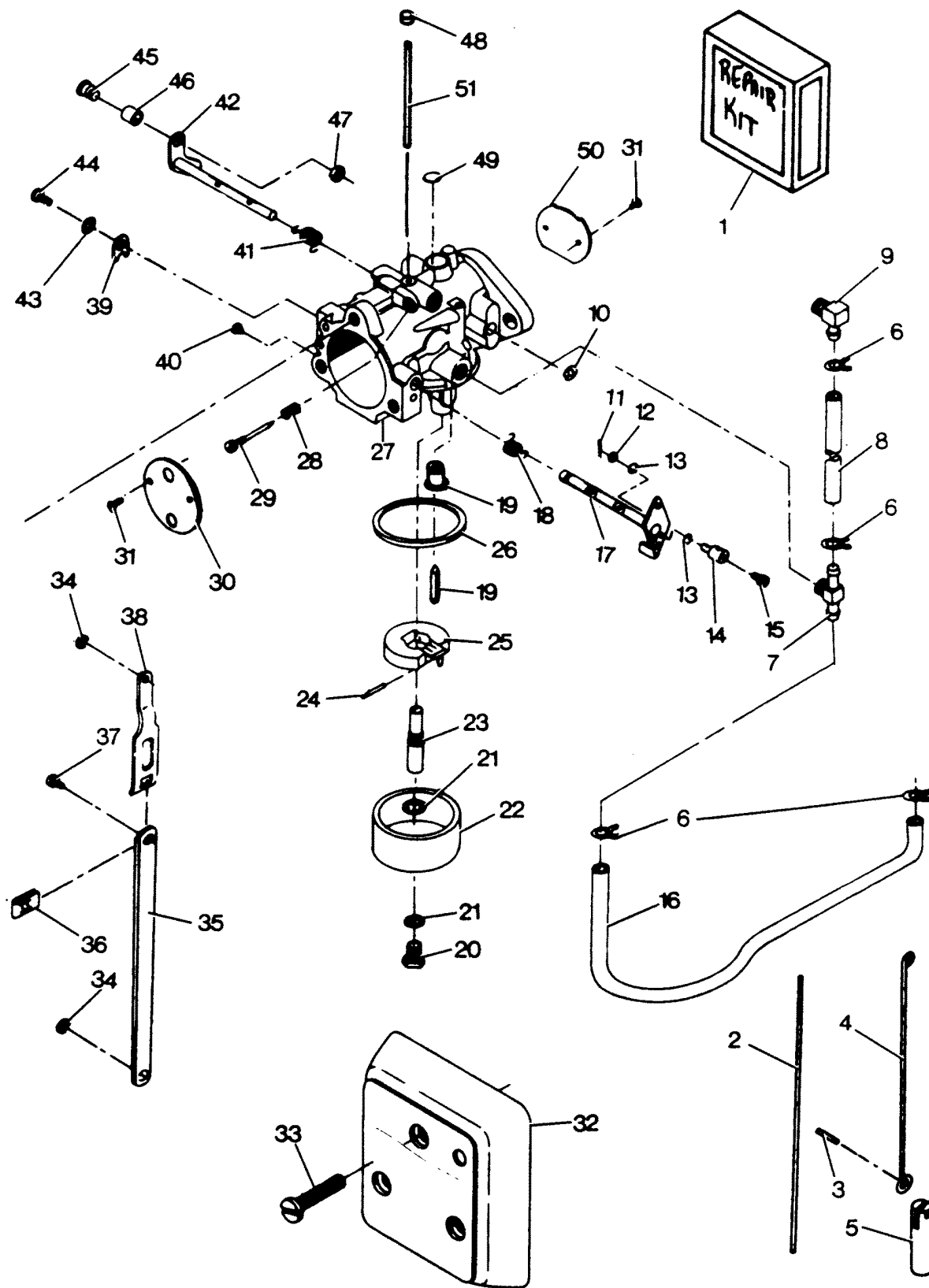


CARBURETOR

REF. NO.	PART NO.	SYM.	QTY.	DESCRIPTION
1	FK10103		1	REPAIR PARTS KIT. INCLUDES ALL ITEMS MARKED WITH AN ASTERISK (*) .
2	F85509-1		1	LINK, CHOKE
3	F2033		1	GROOVE PIN
4	F440925		1	CHOKE ROD
5	F391926-1		1	PLUNGER
6	F97772		4	CLAMP
7	F85314-1		1	FUEL FITTING
8	F178754-1		1	FUEL LINE
9	F84314-2		1	ELBOW
10	FO16620		1	E-RING
11	F1014		2	COTTER PIN
12	F8088		3	PLAIN WASHER
13	F184579		5	O-RING SEAL
14	F184033-1		1	SWIVEL, TOP CARBURETOR
15	F1059		2	FILL HD SCREW, 6 - 32 X 1/4
16	F438754		1	FUEL LINE
17	FO16301		1	CHOKE SHAFT AND LEVER
18	FO17885		1	CHOKE SHAFT RETURN SPRING
19	FK10107		1	INLET NEEDLE AND SEAT W/LITERATURE
20	FO16132		1	FUEL BOWL RETAINING SCREW
21	FO5323		2	FUEL BOWL RETAINING SCREW GASKET
-	F85033		1	SWIVEL, CHOKE ROD (BOTTOM CARBURETOR) (NOT SHOWN)
-	FK10023		1	GASKET SET. INCLUDES ILLUS. 21, 26 AND 31 ON PAGE 12.
22	FO16130		1	FUEL BOWL
23	FO16133		1	MAIN NOZZLE
24	FO13944		1	FLOAT LEVER PIN
25	FO13554		1	FLOAT
26	FO15623		1	FUEL BOWL GASKET
27	F589061-1		1	CARBURETOR COMPLETE (BOTTOM)
-	F664061		1	CARBURETOR COMPLETE (TOP)
28	FO11103		1	IDLE MIXTURE SCREW SPRING
29	FO14166		1	IDLE MIXTURE SCREW
30	FO17719		1	CHOKE, SHUTTER
31	FO8942		4	CHOKE AND THROTTLE SHUTTER SCREW
32	F511708-1		2	COVER, CARBURETOR
33	F1034		6	PAN HD. SCREW, 1/4 - 20 X 1-3/8
34	F90807		2	RETAINING RING
35	FA178233		1	THROTTLE TIE BAR W/ SWIVEL
36	F1693		1	TIE BAR RETAINER NUT
37	F1064		1	FILL HD. SCREW, 8 - 32 X 3/8
38	FA85193		1	TIE BAR END W/SWIVEL
39	FO9678		1	CLIP, CHOKE SHAFT

CONTINUED ON NEXT PAGE ➡

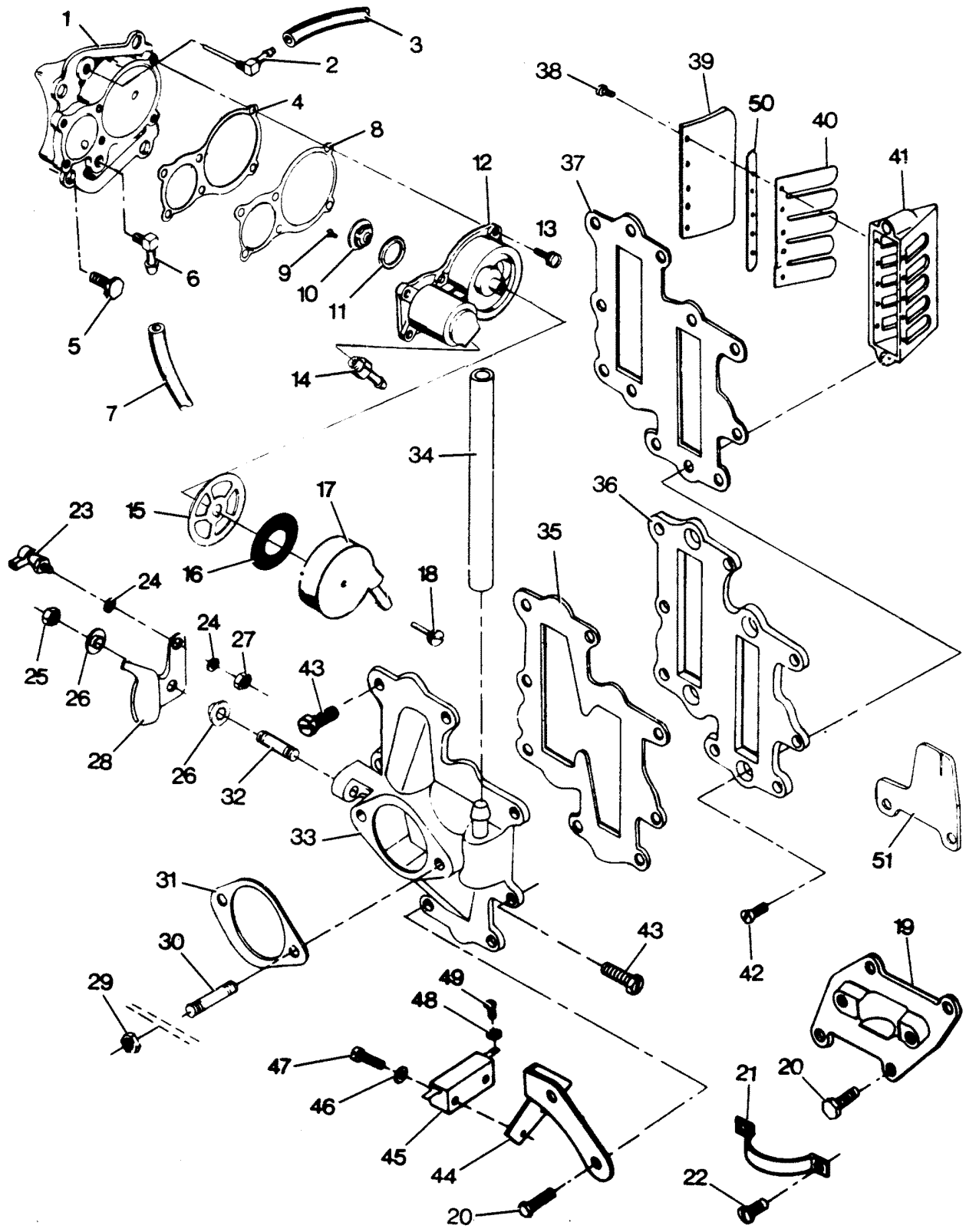
CARBURETOR



CARBURETOR

REF. NO.	PART NO.	SYM.	QTY.	DESCRIPTION
40	FO14191		1	MAIN FUEL JET STD.. 0937 SEA LEVEL - 1500 FT. (BOTTOM CARBURETOR)
-	FO18010		1	MAIN FUEL JET STD. .101 SEA LEVEL - 1500 FT. (TOP CARBURETOR)
-	FO14190		-	MAIN FUEL JET OPT. .092 1500 - 3000 FT.
-	FO15406		-	MAIN FUEL JET OPT. .090 3000 - 4500 FT.
-	FO13193		-	MAIN FUEL JET OPT. .088 4500 - 6000 FT.
-	FO13949		-	MAIN FUEL JET OPT. .086 6000 FT. & UP
41	FO16143		1	THROTTLE SHAFT RETURN SPRING
42	FO17884		1	THROTTLE SHAFT AND LEVER
43	FO992		1	LOCKWASHER
44	FO1974		1	SCREW
45	F333316		1	THROTTLE ROLLER SHAFT
46	F92759		1	THROTTLE ROLLER
47	F1997		1	STOP NUT, 8 - 32
48	FO10588		4	BODY CHANNEL CUP PLUG
49	FO16128		1	BODY CHANNEL WELCH PLUG
50	FO16142		1	THROTTLE SHUTTER
51	F433473		1	CUP, METERING
52	FO16993		1	BY PASS TUBE

FUEL PUMP AND REED PLATE

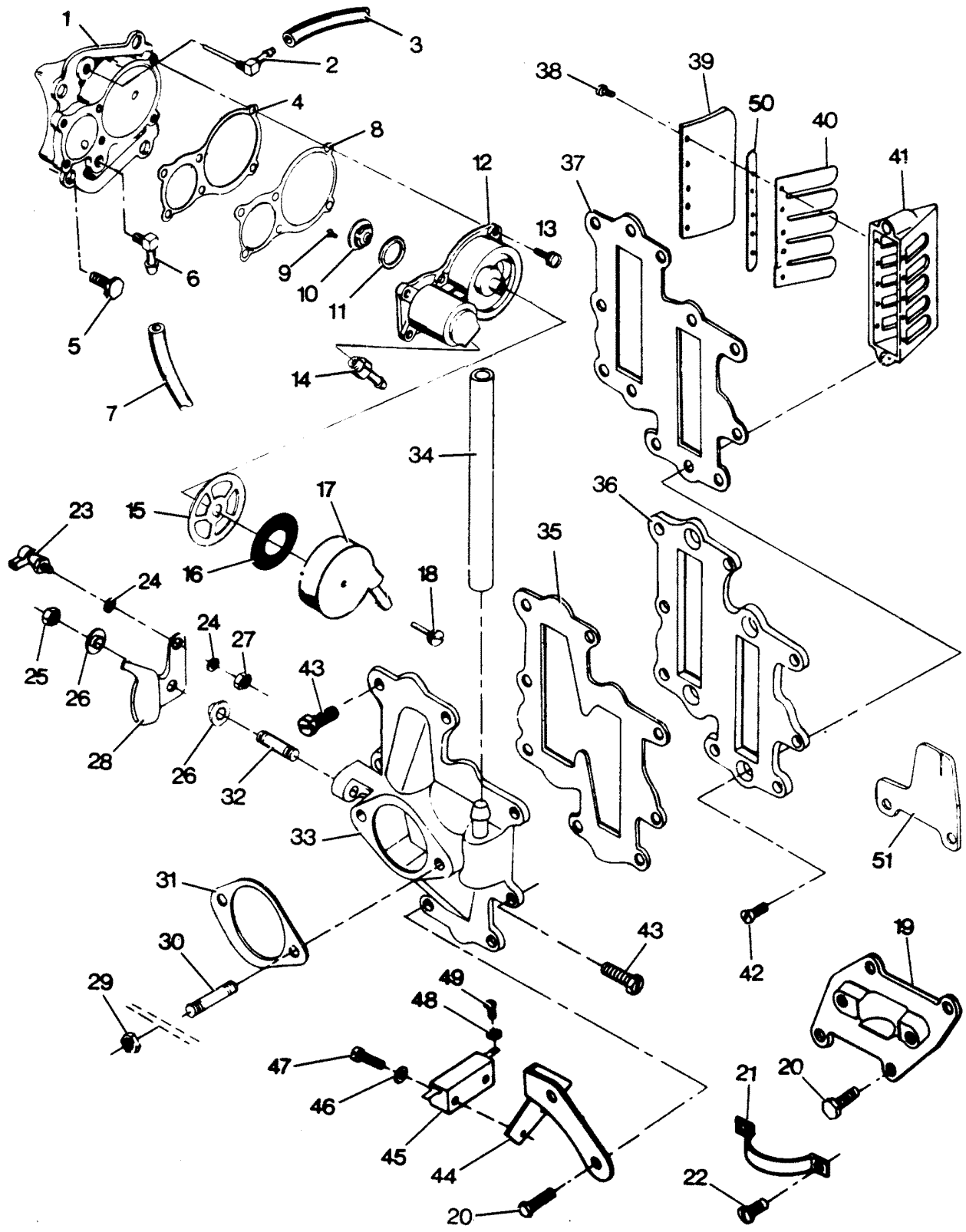


FUEL PUMP AND REED PLATE

REF. NO.	PART NO.	SYM.	QTY.	DESCRIPTION
1	FA439746		1	FUEL PUMP COVER W/PLUG
2	F404314		1	ELBOW, FUEL PUMP COVER
3	F441754-1		1	HOSE
4	F438760		1	FUEL PUMP GASKET
5	F1922		4	HEX CAP SCREW, 1/4 - 20 X 5/8
6	F84314-2		1	ELBOW
7	F89758		1	FUEL PUMP AIR HOSE - TOP
8	F438747		1	FUEL PUMP DIAPHRAGM
9	F1860		2	RD HD SCREW, 6 - 32 X 1/4
10	F177330		3	FUEL PUMP VALVE
11	F84792		1	GASKET, CENTER FUEL PUMP VALVE
12	FA438431		1	FUEL PUMP BODY W/ILLUS. 9, 10 AND 11
13	F1108		6	FILL HD. SCREW, 1/4 - 20 X 3/4
14	F438801		1	FITTING
15	F438617		1	FUEL SEDIMENT BOWL GASKET
16	F438653		1	FUEL SEDIMENT BOWL SCREEN
17	F438500		1	FUEL SEDIMENT BOWL
18	F438165		1	SCREW, FUEL PUMP BOWL
19	F372958		1	CHOKE BRACKET
20	F1532		6	HEX HD. SCREW, 1/4 - 20 X 1
21	F85317-3		1	SOLENOID CLAMP
22	F1236		2	SCREW, 1/4 - 20 X 1/2
23	817747--1		1	BALL JOINT W/STUD
24	F8058		2	INTERNAL TOOTH LOCKWASHER
25	F7008		1	STOP NUT, 1/4 - 20
26	F269319		2	THROTTLE CAM BEARING
27	F1513		1	HEX NUT, 10 - 32
28	F440192-1		1	THROTTLE CAM
29	F1346		4	HEX NUT
30	F440209		4	CARBURETOR STUD
31	F440906		2	CARBURETOR GASKET
32	F433209-1		1	THROTTLE CAM STUD
33	FA440167		1	CARBURETOR ADAPTER, LOWER W/FITTING AND ILLUS. 30
-	FA440157		1	CARBURETOR ADAPTER, UPPER W/FITTING AND ILLUS. 30 (NOT SHOWN)
34	F440254		1	BALANCE TUBE
35	F178168-1		1	GASKET, CARBURETOR ADAPTER
36	F178404-1		2	DEFLECTOR PLATE
37	F406406		2	GASKET DEFLECTOR PLATE
38	F1755		40	ROUND HD. SCREW W/LOCKWASHER 6 - 32 X 1/4
39	F85161-1		8	REED STOP
40	F530160		8	REED (5 PETAL)
41	F3A523158		4	REED PLATE W/ILLUS. 38, 39, 40, 44 AND 51

CONTINUED ON NEXT PAGE ➡

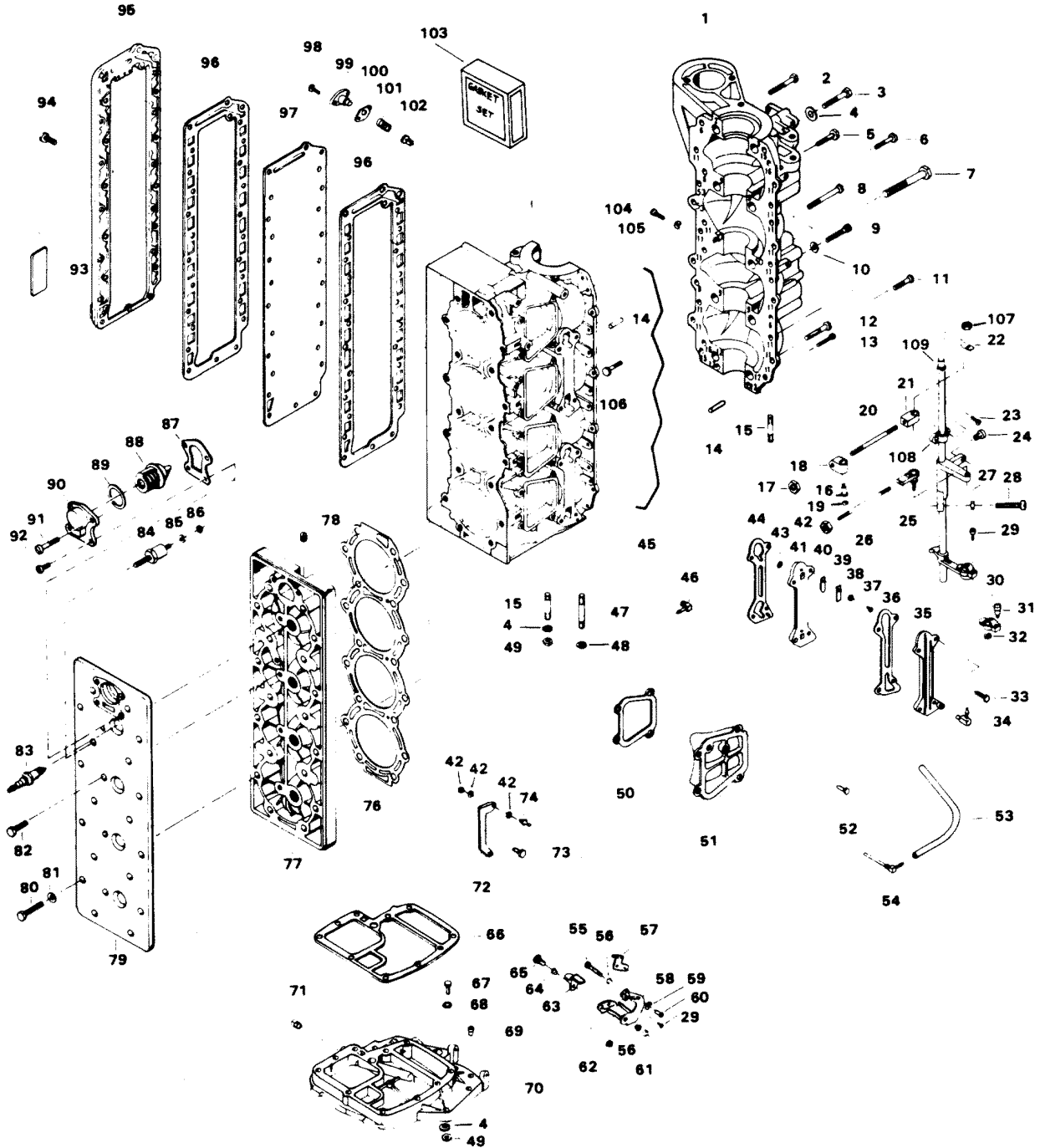
FUEL PUMP AND REED PLATE



FUEL PUMP AND REED PLATE

REF. NO.	PART NO.	SYM.	QTY.	DESCRIPTION
42	F1831		8	FLAT HD. SCREW, 1/4 - 20 X 5/8
43	F2008		10	HEX HD SCREW, 1/4 - 20 7/8
44	F489551		1	BRACKET NEUTRAL INTERLOCK SWITCH
50	F523451		8	SPACER, REED STOP
51	F500894		1	POINTER, TIMING

POWER HEAD

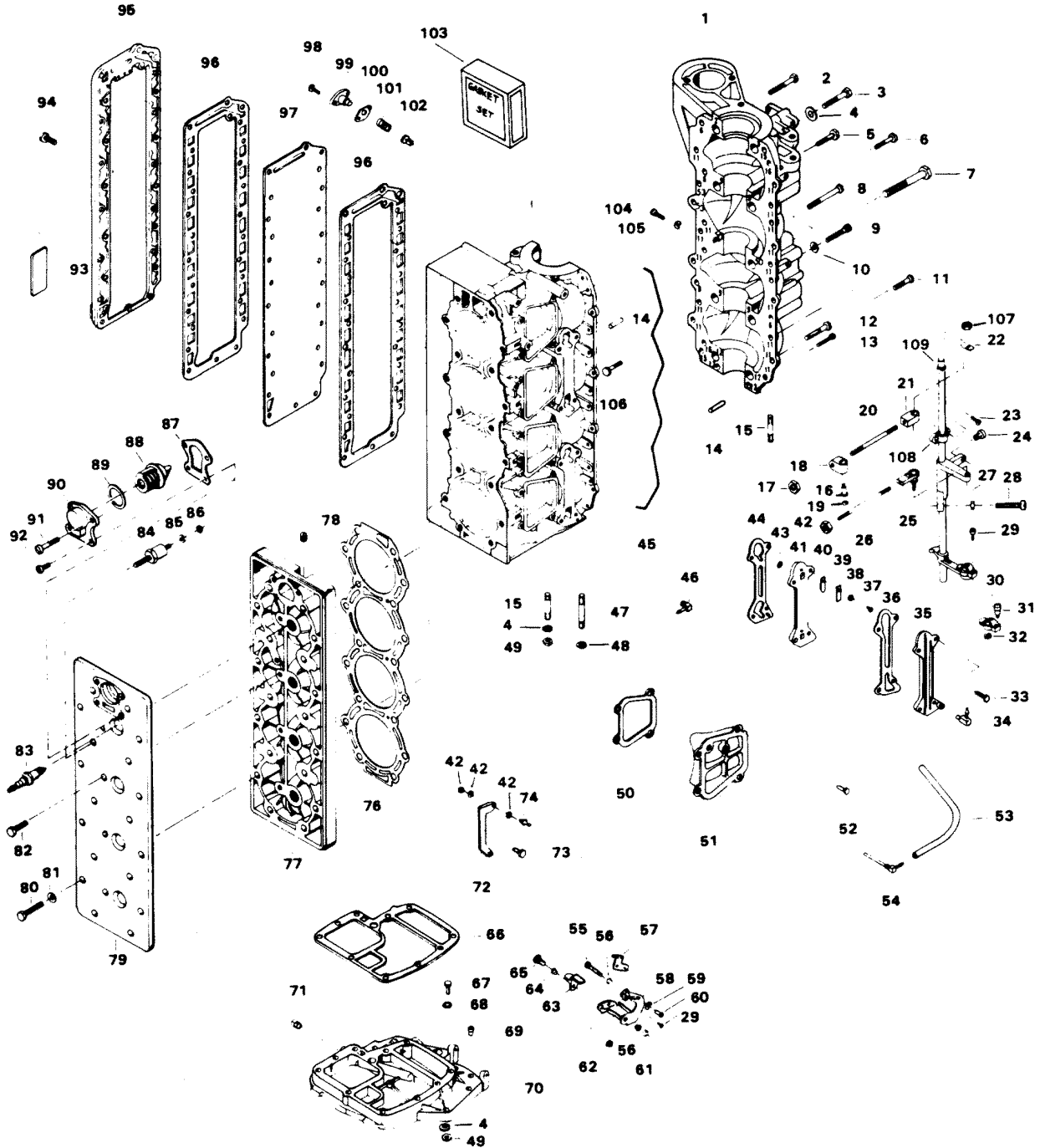


POWER HEAD

REF. NO.	PART NO.	SYM.	QTY.	DESCRIPTION
1	800-817864A6		1	CYLINDER W/CRANKSHAFT COVER ILLUS. 2, 3, 7, 9, 12, 14, 15 45 AND 47 ORIGINAL FORCE P/N A 615010-2
-	800-818154A6		1	SHORT BLOCK CONTAINS ALL ITEMS MARKED WITH AN ASTERISK (*). ALSO REFER TO CRANKSHAFT PAGE. ORIGINAL FORCE P/N C 615010-2
2	F1874		1	HEX HD. SCREW, 3/8 - 16 X 1/8
3	F1009		1	HEX HD. SCREW, 3/8 - 16 X 2-3/4
4	F8038		4	PLAIN WASHER
5	F2008		2	HEX HD. SCREW, 1/4 - 20 X 7/8
6	F2008		3	HEX HD. SCREW, 1/4 - 20 X 7/8
7	F1873		2	HEX CAP SCREW, 3/8 - 16 X 3
8	F1699		1	HEX HD. SCREW, 1/4 - 20 X 1-1/8
9	F1253		4	HEX SOCKET HD. CAP SCREW, 3/8 - 16 X 2
10	F8104		4	PLAIN WASHER
11	F1864		16	HEX HD. SCREW, 1/4 - 20 3/4
12	F1872		2	HEX CAP SCREW, 3/8 - 16 X 1-3/4
13	F1504		2	FILL HD. SCREW, 1/4 - 20 X 1-1/4
14	F8563		2	DOWEL PIN
15	F85859		4	STUD
16	F499026		1	SWIVEL
17	F2015		1	HEX NUT, 1/4 - 28
18	F499035		1	END, CONTROL ROD (TO TOWERSHAFT)
20	F85445		1	CONTROL ROD
21	F499036		1	END, CONTROL ROD (TO TRIGGER)
22	817960A2		1	TOWERSHAFT W/ILLUS. 30, 76, 77, 24, 25, 27 AND 28 ORIGINAL FORCE P/N K 491838-1
23	F1829		2	FILL HD. SCREW, 10 - 24 X 7/8
24	F1727		1	PLASTIC RIVET
25	817747--1		1	BALL JOINT W/STUD
26	F85502		1	THROTTLE LINK
27	F1341		1	HEX NUT, 1/4 - 20
28	F1052		1	FILL HD. SCREW, 1/4 - 20 X 1
29	F1556		2	FILL HD. SCREW, W/ LOCKWASHER, 10 - 24 X 3/8
30	FK405020		2	SWIVEL W/CLAMP, SHOULDER SCREW AND NUT
31	F405457		1	PIVOT SCREW
32	F7008		1	ELASTIC STOP NUT
33	F1532		8	HEX HD. SCREW, 1/4 - 20 X 1
34	22-818103--1		1	ELBOW, CYLINDER DRAIN LOWER
-	F404801		1	ELBOW, CYLINDER DRAIN UPPER (NOT SHOWN)
35	F406471-1		2	CYLINDER DRAIN COVER
36	F84472-5		2	GASKET, CYLINDER DRAIN COVER
37	F1286		4	PAN HD. SCREW, 4 - 40 X 3/16
38	F8003		4	PLAIN WASHER
39	F93920		4	REED STOP

CONTINUED ON NEXT PAGE ➡

POWER HEAD

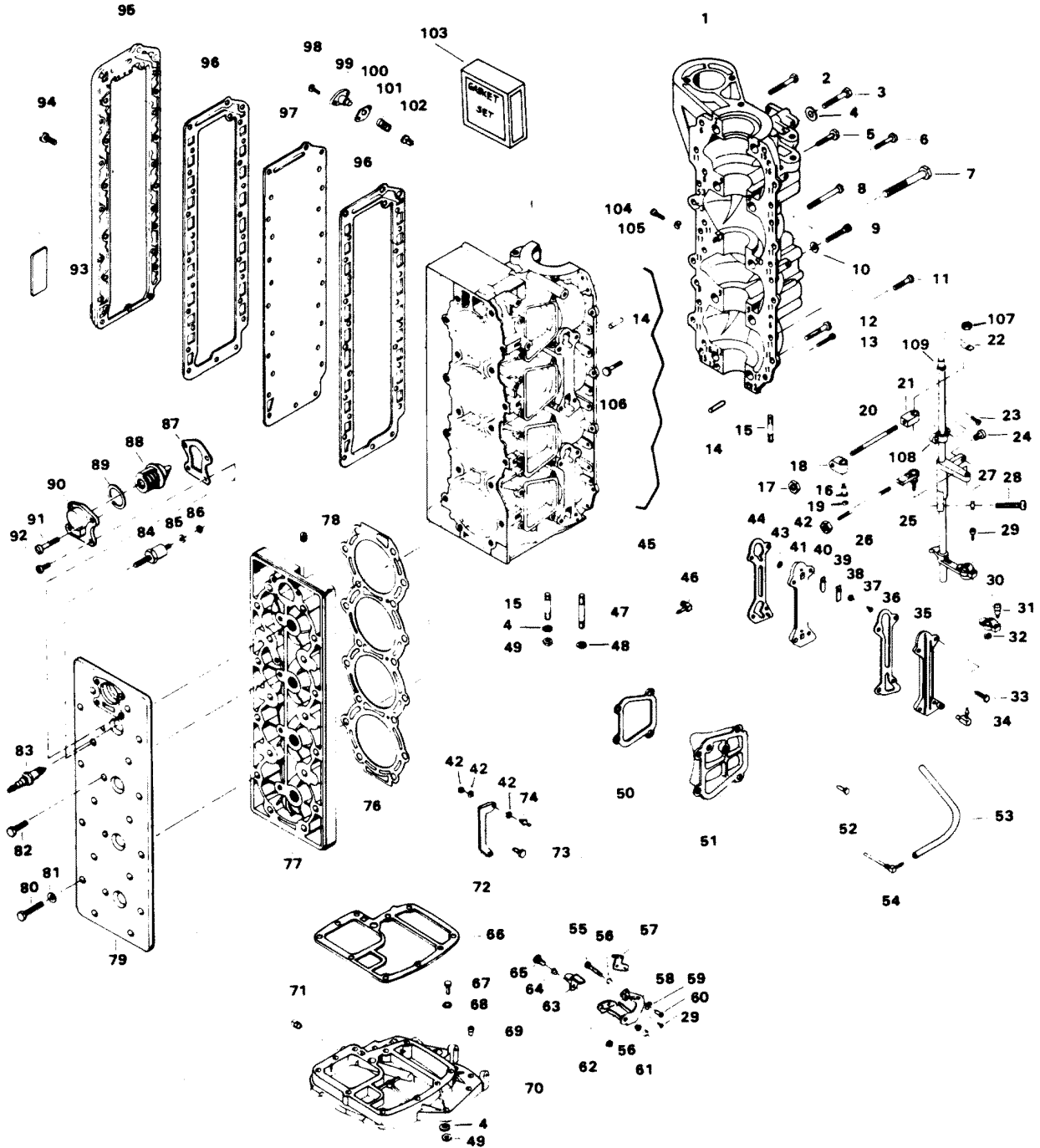


POWER HEAD

REF. NO.	PART NO.	SYM.	QTY.	DESCRIPTION
40	F18160-3		4	CYLINDER DRAIN REED
41	F2A476757		2	CYLINDER DRAIN REED PLATE W/ILLUS. 37, 38, 39, 40 AND 43
42	F1513		2	HEX NUT, 10 - 32
43	F93811		4	SCREEN
44	F84748-3		2	GASKET, CYL. DRAIN REED PLATE
45	F184122-1		1	SEAL, PARTING LINE
46	F84314-2		1	ELBOW
47	F85211		6	STUD
48	F8095		12	PLAIN WASHER
49	F7004		10	STOP NUT, 3/8 - 16
50	F40223		4	GASKET, TRANSFER PORT COVER
51	FA411222		3	TRANSFER PORT COVER W/ILLUS. 78 AND LITERATURE
52	F1922		9	HEX CAP SCREW, 1/4 - 20 5/8
53	F406754-1		1	HOSE
54	F404314		1	FITTING
55	F1885		2	HEX BOLTS. S.S., 5/16 - 18 X 4-1/4
56	F85610		2	BEARING
57	F480107-1		1	CAM STARTER INTERLOCK
58	FA480876		1	GEAR SHIFT ARM W/ILLUS. 30, 56, 62, 63, 64 AND 65
59	F2042		2	PLAIN WASHER
60	F2089		2	SLOTTED PAN HD. M. SCREW, 10 - 24 X 5/16
61	F2108		1	STOP NUT, 5/16 - 18
62	F1832		1	STOP NUT, 1/4 - 20
63	F369977-1		1	INTERLOCK ARM
64	F369610		1	BEARING
65	F369887		1	SHOULDER SCREW
66	F85279-2		1	GASKET, CYLINDER EXHAUST UPPER
67	F1869		6	HEX CAP SCREW, 3/8 - 16 X 1-1/4
68	F1703		6	LOCKWASHER
69	F40689-1		1	BEARING
70	817788A3		1	SPACER PLATE W/ILLUS. 71 ORIGINAL FORCE P/N A 404680-2
71	F2090		1	PLUG
72	FS85872-1		1	BRACKET
73	F1864		2	HEX CAP SCREW, 1/4 - 20 X 3/4
74	F98273		2	ROD END CONNECTOR STUD
75	F1804		2	STOP NUT
76	F476529-1		1	CYLINDER HEAD GASKET
77	FA631518		1	CYLINDER HEAD W/ILLUS. 78
78	F19109		1	PLUG
79	F528995		1	COVER, CYLINDER HEAD
80	F2049		18	HEX CAP SCREW, 5/16 - 18 X 2-5/8
81	F1987		18	PLAIN WASHER

CONTINUED ON NEXT PAGE ➡

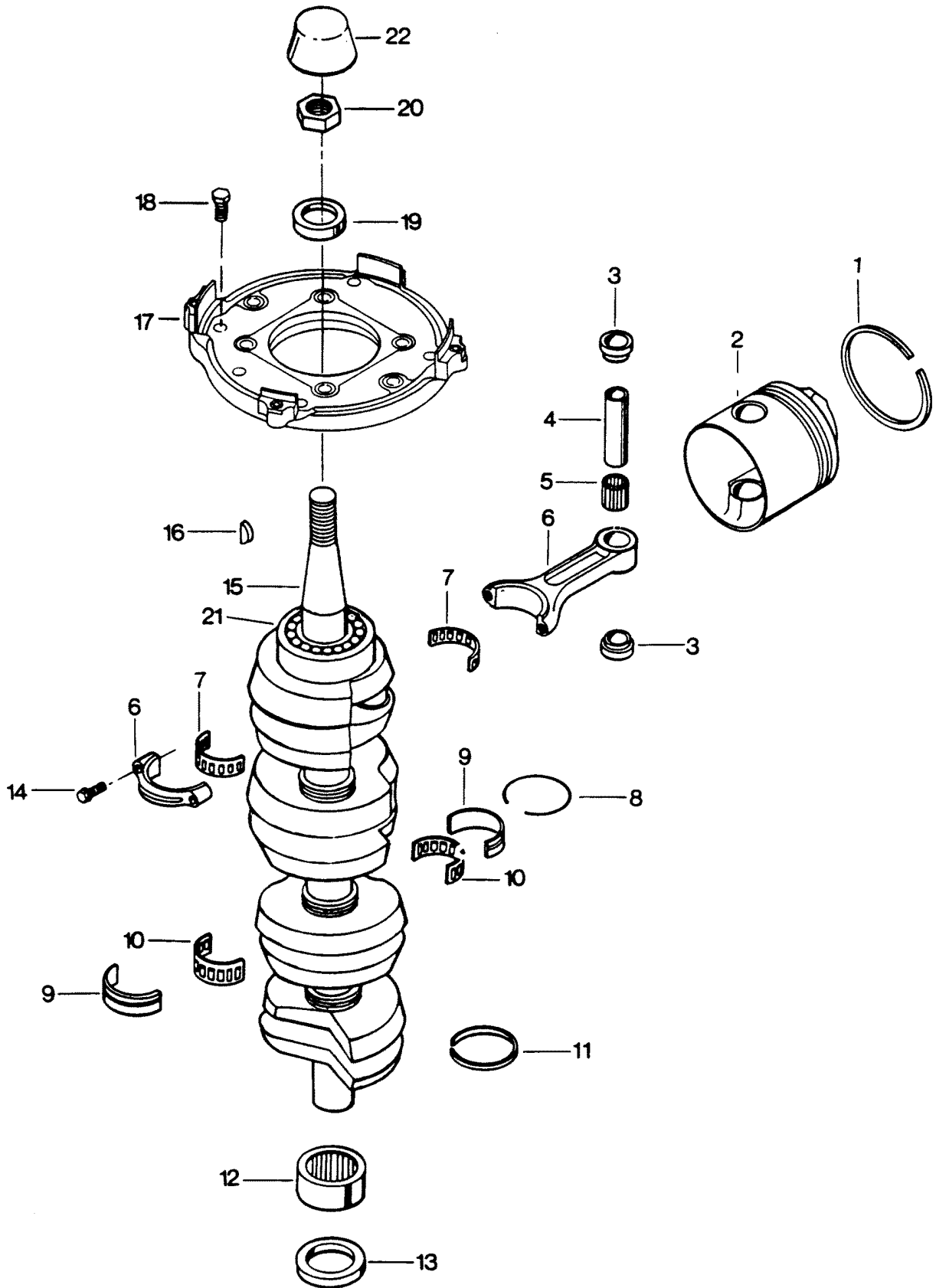
POWER HEAD



POWER HEAD

REF. NO.	PART NO.	SYM.	QTY.	DESCRIPTION
82	F2008		4	HEX CAP SCREW, 1/4 - 20 X 7/8
83	33-818007--1		4	SPARK PLUG (CHAMPION UL18V) - USA
87	F476067		1	GASKET
88	F528068		1	THERMOSTAT
89	F84504		1	GROMMET (THERMOSTAT)
90	F476066-1		1	THERMOSTAT COVER
91	F1504		2	FILL HD. SCREW, 1/4 - 20 X 1-1/4
92	F1107		2	SLOTTED FILL HD. CAP SCREW, 1/4 - 20 X 3/4
93	FC529398		1	DECAL, WIRING
94	F1699		27	HEX BOLT, 1/4 - 20 X 1-1/8
95	F372152-2		1	EXHAUST PORT COVER
96	F372154-1		2	GASKET, EXHAUST PORT PLATE
97	F372151-1		1	EXHAUST PORT PLATE
98	F1950		2	HEX CAP SCREW, 10 - 24 X 5/8
99	F438066		1	BY-PASS VALVE COVER
100	F85762		1	BY-PASS VALVE COVER GASKET
101	F404268		1	BY-PASS VALVE SPRING
102	F85916-1		1	BY-PASS VALVE
103	FG1019		1	GASKET SET INCLUDES ALL ITEMS MARKED WITH A *
-	F40223		4	TRNASFER PORT COVER GASKET
-	F84472-5		2	CYLINDER DRAIN COVER GASKET
-	F84748-3		2	CYLINDER DRAIN REED PLATE GASKET
-	F85279-2		1	CYLINDER EXHAUST UPPER GASKET
-	F85762		1	BY-PASS COVER GASKET
-	F85906		2	CARBURETOR GASKET
-	F178168-1		2	CARBURETOR ADAPTER GASKET
-	F184122-1		1	SEAL
-	F372154-1		2	EXHAUST PLATE GASKET
-	F406406		2	DEFLECTOR PLATE GASKET
-	F440906		2	CARBURETOR GASKET
-	F476067		1	THERMOSTAT COVER GASKET
-	F476529-1		1	CYLINDER HEAD GASKET
104	F2000		1	HEX CAP SCREW, 5/16 - 18 X 3/4
105	F8096		1	SPRING LOCKWASHER
106	F1532		2	HEX HD. SCREW, 1/4 - 20 X 1
107	F7009		1	LOCK NUT, #10 - 24
108	FA607689		2	BEARING TOWERSHAFT WILLUS. 23
109	F491689-1		1	BEARING TOWERSHAFT UPPER

CRANKSHAFT AND PISTON

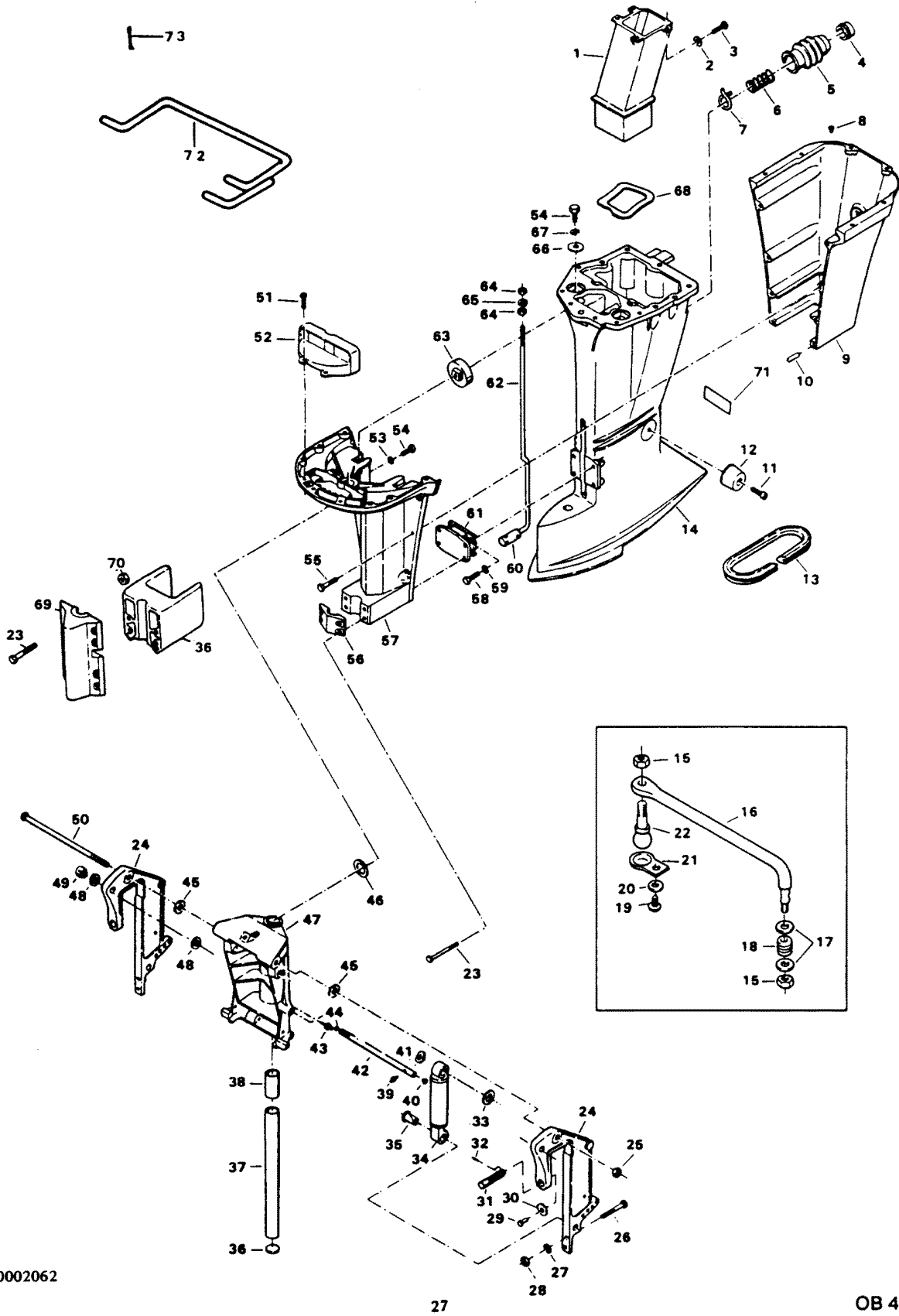


OB10002058

CRANKSHAFT AND PISTON

REF. NO.	PART NO.	SYM.	QTY.	DESCRIPTION
1	FA335260		4	PISTON RING SET (2 PER SET) STANDARD
-	FSA335260		4	PISTON RINGS (2 PER SET) .010 OVERSIZE
-	39-818110A1		4	PISTON RINGS (2 PER SET) .030 OVERSIZE
2	700-F372015-3		4	PISTON - STANDARD
-	700-817988A2		4	PISTON .010 OVERSIZE
-	700-818111A2		4	PISTON .030 OVERSIZE
3	F335215		8	SPACER, PISTON PIN (2 PER PISTON)
4	F85017		4	PISTON PIN
5	F335217-1		4	BEARING PISTON PIN (26 PER SET)
6	600-818052A4		4	CONNECTING ROD W/CAP AND ILLUS. 14 ORIGINAL FORCE P/N S 366016-4
7	FK85228-1		4	BEARING CAGE W/ROLLER
8	F85410		3	SNAP RING
9	FA85655-1		3	CRANKSHAFT MAIN BEARING RACE W/ILLUS. 8
10	F85571		3	BEARING CAGE W/ROLLER
11	F316579		3	SEAL, CRANKCASE
12	FA523014		1	CRANKSHAFT LOWER MAIN BEARING W/ILLUS. 13
13	F523146-1		1	SEAL, CRANKSHAFT LOWER
14	F85634-2		6	CONNECTING ROD SCREW
15	FA528018		1	CRANKSHAFT W/ILLUS. 11 AND 21
16	F85498-1		1	FLYWHEEL KEY
17	F2A615144		1	CRANKSHAFT BEARING CAGE W/ILLUS. 19
18	F2081		5	HEX SOC. HD SCREW, 1/4 - 20 X 3/4
19	F523146-1		1	SEAL, CRANKSHAFT UPPER
20	F1968		1	FLYWHEEL NUT
21	F284659-2		1	CRANKSHAFT THRUST BEARING, UPPER
22	F2067		1	PLASTIC CAP

MOTOR LEG



OB10002062

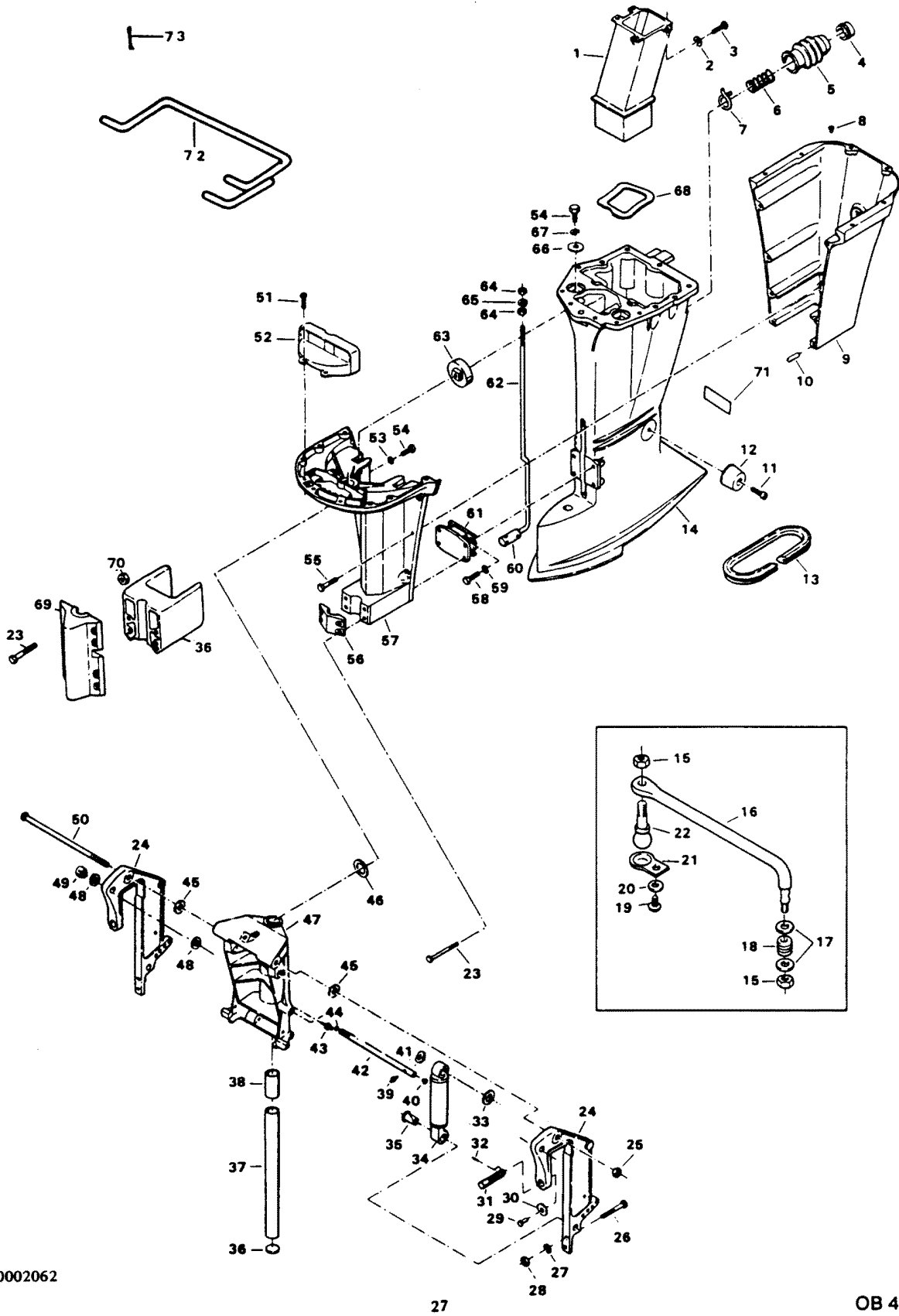
OB 4086

MOTOR LEG

REF. NO.	PART NO.	SYM.	QTY.	DESCRIPTION
1	F85660-1		1	EXHAUST TUBE
2	F8083		4	SPRING LOCKWASHER
3	F1864		4	HEX SLOT HD SCREW, 1/4 - 20 X 3/4
4	F85258		1	INSERT
5	F85130		1	BOOT IDLE EXHAUST
6	F85380		1	SPRING
7	F85772		1	CLAMP
8	F1729		2	PLUG
9	F178145-4		1	MOTOR LEG COVER REAR
10	F1664		2	SPRING PIN
11	F1263		2	HEX SOCKET HD CAP SCREWS, 5/16 - 18 X 9/16
12	F438962		2	SHOCK MOUNT LOWER REAR
13	F178323		1	SEAL, MOTOR LEG
14	F523133-2		1	MOTOR LEG (1258F6A,B, 1258FC6A,B, 1258X6A,B, 1258XC6A,B)
-	F500133		1	MOTOR LEG (1251F6A,B, 1251FC6A,B, 1251X6A,B, 1251XC6A,B)
15	F2093		2	STOP NUT, 3/8 - 24
17	F8038		2	PLAIN WASHER
18	F523300-1		1	SPRING
19	F1280		1	PAN HD SCREW, 8 - 32 X 1/4
20	F8080		1	SPRING LOCKWASHER
21	F523930		1	RETAINER
22	F523273		1	STEERING BALL STUD
23	F1696		8	HEX BOLT, 5/16 - 18 X 1-3/4
24	1400-817958A6		2	STERN BRACKET
25	F7012		1	STOP NUT
26	F1593		2	HEX HD SCREW, 3/8 - 16 X 3
27	F1904		2	PLAIN WASHER
28	F1346		2	HEX NUT
29	F353480		2	STUD
30	F84074		2	CLAMP SCREW FOOT
31	F474073-1		2	CLAMP SCREW
32	F8538		2	SPRING PIN
33	F1710		2	PLAIN WASHER
34	FA178962		1	SHOCK ABSORBER W/BUSHING - 178344
35	F178362		2	BEARING
36	F500707		1	COVER SHOCK MT. LOWER (1251F6A,B, 1251FC6A,B, 1251X6A,B, 1251XC6A,B)
37	FS85019		1	KINGPIN (1251F6A,B, 1251FC6A,B, 1251X6A,B, 1251XC6A,B)
-	FA500019		1	KINGPIN (1251F6A,B, 1251FC6A,B, 1251X6A,B, 1251XC6A,B)
38	F438169		2	BEARING
39	F523274		1	GREASE FITTING
40	F9052		1	PLUG

CONTINUED ON NEXT PAGE ➡

MOTOR LEG



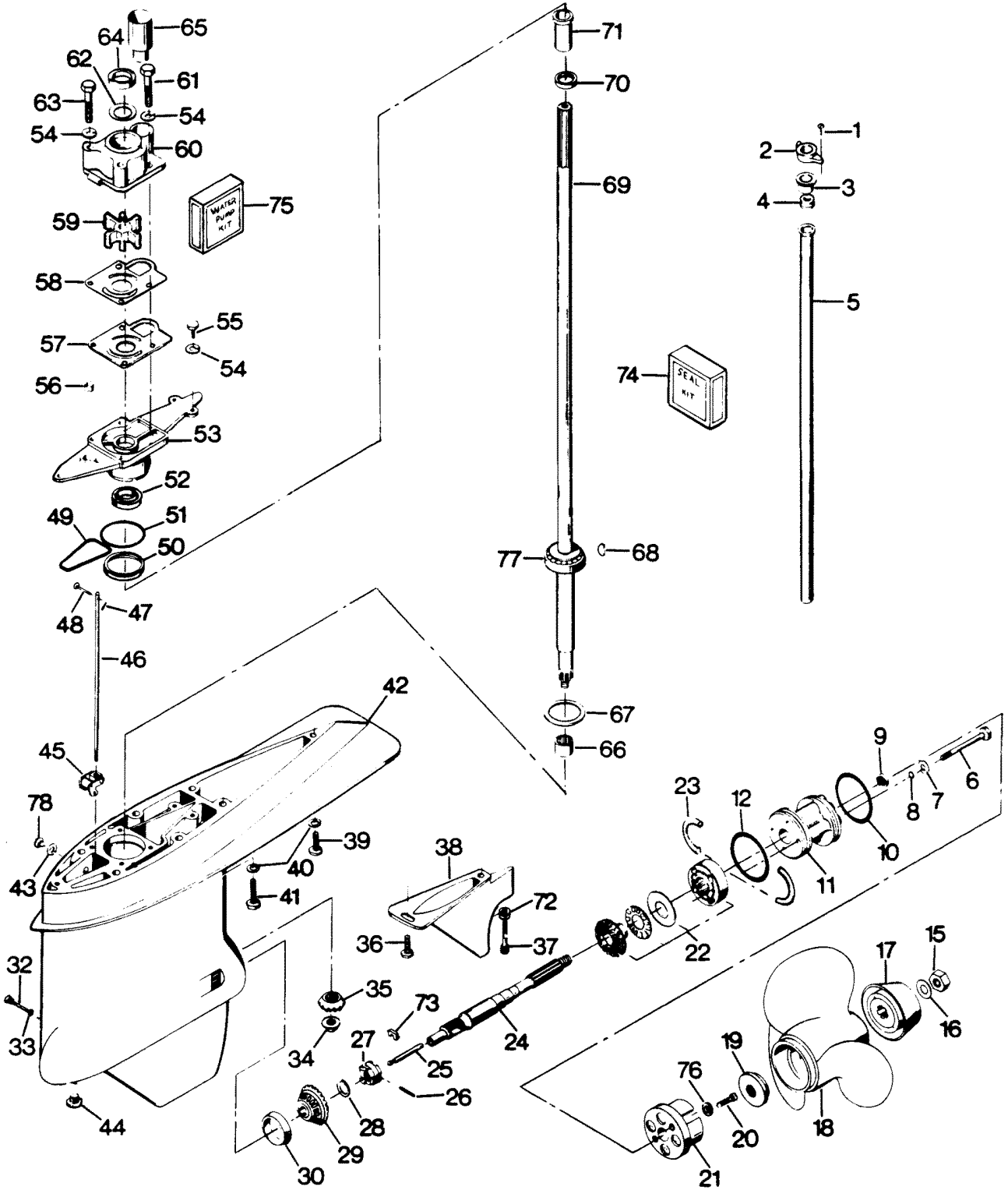
OB10002062

OB 4086

MOTOR LEG

REF. NO.	PART NO.	SYM.	QTY.	DESCRIPTION
41	F1711		2	SPRING BOWED WASHER
42	F511125-2		1	TUBE, STEERING SUPPORT
43	F213274		3	GREASE FITTING
44	F316599		1	SEAL, STEERING SUPPORT TUBE
45	F84286-1		4	FRICTION WASHER
46	F84011		1	WASHER
47	817783A5		1	SWIVEL BRACKET W/ILLUS. 38 AND 43 ORIGINAL FORCE P/N A 369072-2
48	F523280		2	NUT, STEERING SUPPORT TUBE
49	F9018		1	CAP
50	F85037-1		1	STERN BRACKET PIVOT BOLT
51	F1912		4	HEX HD SCREW, 10 - 24 X 1/2
52	F85779-1		1	BAFFLE, AIR INTAKE
53	F1703		2	SPRING LOCKWASHER
54	F1871		4	HEX HD SCREW, 3/8 - 16 X 3/4
55	F2030		6	HEX HD SCREW, 1/4 - 20 X 1-1/4
56	F85606		1	KINGPIN (1258F6A,B, 1258FC6A,B, 1258X6A,B, 1258XC6A,B)
57	FA85135-4		1	LEG COVER FRONT W/ILLUS. 55
58	F1822		4	HEX BOLT, 5/16 - 18 X 7/8
59	F8096		4	SPRING LOCKWASHER
60	F85704		1	COUPLER, GEAR SHIFT ROD
61	F438346		1	SHOCK MOUNT LOWER
62	F85615-1		1	GEAR SHIFT ROD UPPER (1258F6A,B, 1258FC6A,B, 1258X6A,B, 1258XC6A,B)
-	F500615		1	GEAR SHIFT ROD UPPER (1251F6A,B, 1251FC6A,B, 1251X6A,B, 1251XC6A,B)
63	F85965		2	SHOCK MOUNT UPPER
64	F2108		2	LOCK NUT
65	F1987		1	PLAIN WASHER
66	FA85355-1		2	WASHER (SET OF 2 SHOCK MOUNT WASHERS W/ILLUS. 67)
67	F2014		2	PLAIN WASHER
68	F439736		1	SEAL, EXHAUST TUBE
69	F500606		1	KINGPIN CAP (1251F6A,B, 1251FC6A,B, 1251X6A,B, 1251XC6A,B)
70	F1515		4	HEX NUT 5/16 - 18
71	F598387		1	DECAL, POWER FLOW
72	F5H179		1	TRAILERING BRACKET
73	F525629		1	PIN, COTTER

GEAR HOUSING



OB10002052

31

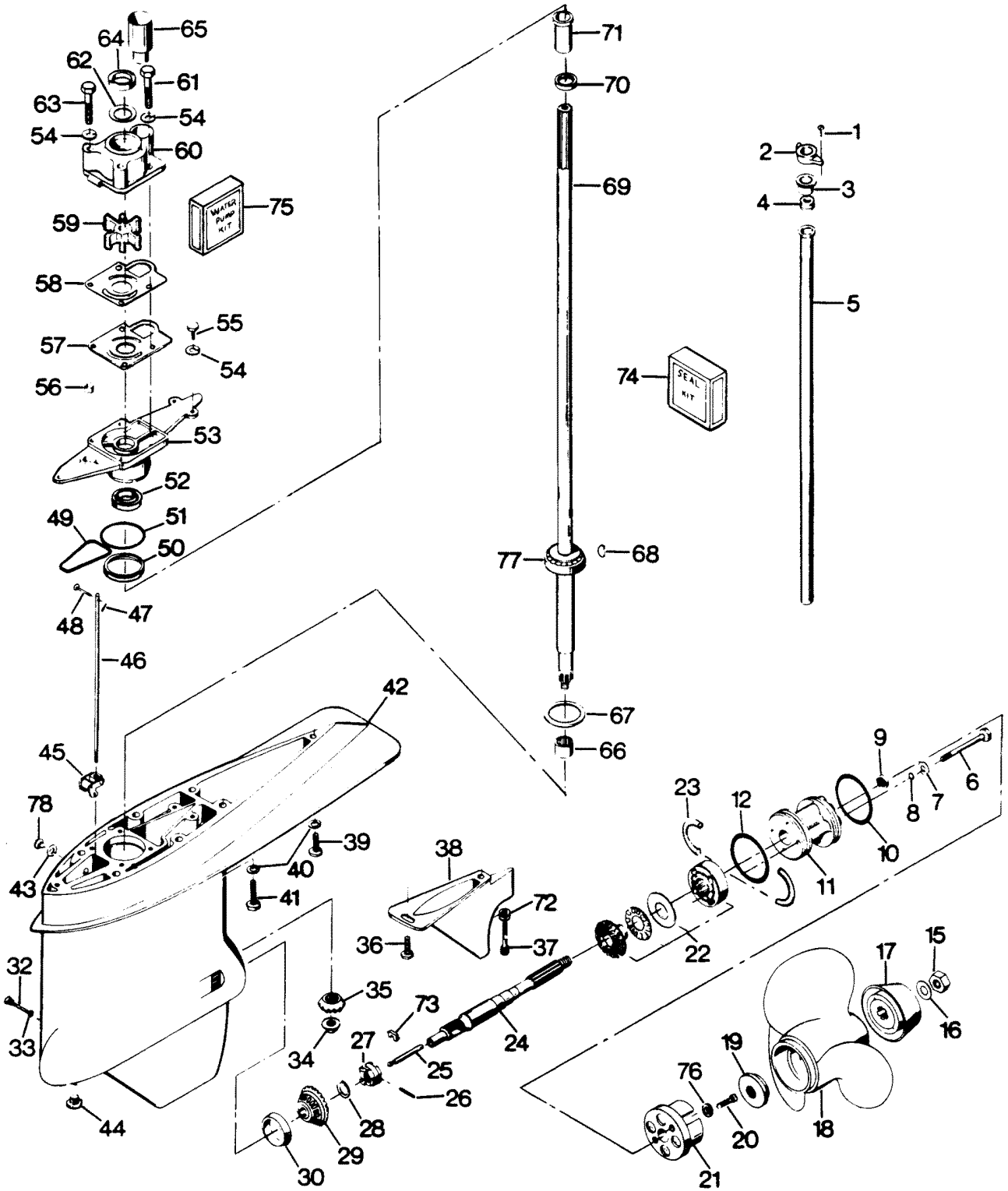
OB4086

GEAR HOUSING

REF. NO.	PART NO.	SYM.	QTY.	DESCRIPTION
1	F1705		2	HEX CAP SCREW, 1/4 - 20 X 3/4 S.S.
2	F85117		1	BRACKET, WATERLINE
3	F84342		1	SEAL, INLET WATERLINE UPPER
4	F523899		1	GROMMET WATERLINE
5	F523244		1	INLET WATERLINE (1258F6A,B - 1258FC6A,B - 1258X6A,B - 1258XC6A,B)
-	F500244		1	INLET WATERLINE (1251F6A,B - 1251FC6A,B - 1251X6A,B - 1251XC6A,B)
6	F1885		4	HEX CAP SCREW, 5/16 - 18 X 4-1/4 S.S.
7	F1907		4	PLAIN WASHER S.S.
8	F50342-1		4	SEAL, BEARING CAGE BOLTS
9	F506118		1	SEAL, PROPELLER SHAFT
10	F24278		1	SEAL, O-RING PROPELLER SHAFT SPOOL
11	F2A523239		1	SPOOL, PROPELLER SHAFT BEARING W/SEAL AND ILLUS. 9
12	F84305		1	SEAL PROPELLER SHAFT BEARING SPOOL
15	F1788		1	STOP NUT
16	F1866		1	PLAIN WASHER
17	F532299		1	WASHER, PROPELLER SPLINE
18	FPS501		1	PROPELLER (1251X6A,B - 1251XC6A,B)
-	FPS625		1	PROPELLER (1258X6A,B - 1258XC6A,B)
19	F523099-1		1	SPACER, PROPELLER
20	F1112		2	FILL HD SCREW, 1/4 - 20 X 7/8
21	FA523485		1	ANTI-CORROSION W/LITERATURE
22	F2A523662		1	BEVEL GEAR REAR W/BEARING CAGE, SPACER AND BEARING
23	F523411		2	RETAINING RING
24	44-817962A2		1	PROPELLER SHAFT W/LITERATURE ORIGINAL FORCE P/N K 523098-1
25	F84871-1		1	PIN, GEAR SHIFT
26	F1713		1	SPRING PIN
27	F84521-2		1	CLUTCH
28	F1936		A/R	SPACER, BEVEL GEAR FRONT .059
-	F1937		A/R	SPACER, BEVEL GEAR FRONT .062
-	F1938		A/R	SPACER, BEVEL GEAR FRONT .065
-	F1939		A/R	SPACER, BEVEL GEAR FRONT .068
-	F1940		A/R	SPACER, BEVEL GEAR FRONT .071
-	F1941		A/R	SPACER, BEVEL GEAR FRONT .074
-	F1942		A/R	SPACER, BEVEL GEAR FRONT .077
-	F2113		A/R	SPACER, BEVEL GEAR FRONT .080
-	F2114		A/R	SPACER, BEVEL GEAR FRONT .083
-	F2115		A/R	SPACER, BEVEL GEAR FRONT .086
-	F2116		A/R	SPACER, BEVEL GEAR FRONT .089
-	F2121		A/R	SPACER, BEVEL GEAR FRONT .057
-	F2122		A/R	SPACER, BEVEL GEAR FRONT .054

CONTINUED ON NEXT PAGE ➡

GEAR HOUSING



OB10002052

31

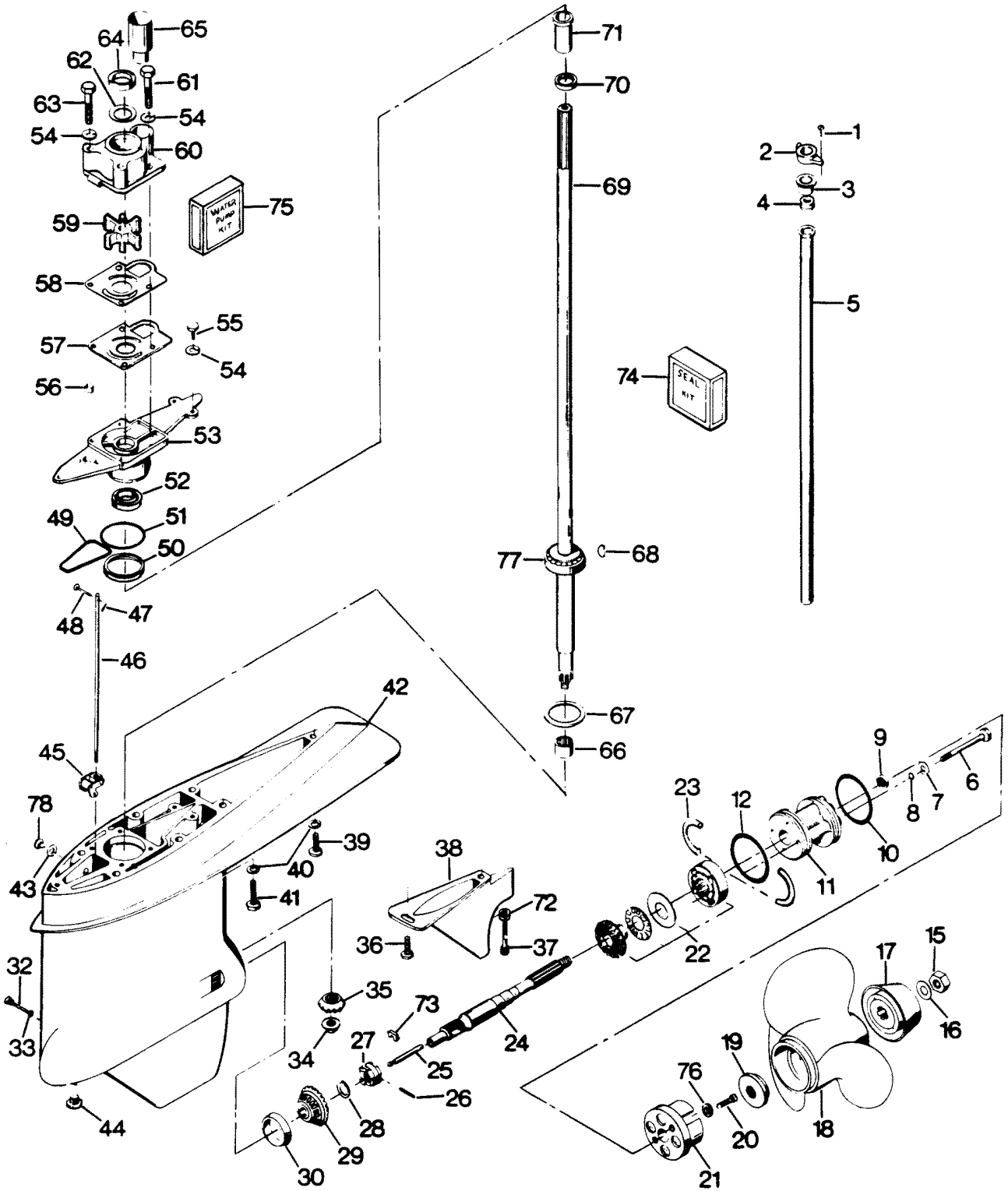
OB4086

GEAR HOUSING

REF. NO.	PART NO.	SYM.	QTY.	DESCRIPTION
29	43-818068A2		1	BEVEL GEAR FRONT W/BEARING
30	F523813		1	BEARING CUP
32	F498891		1	PIN, GEAR SHIFT ARM
33	F498618		1	SEAL
34	F523188		1	NUT, BEVEL PINION RETAINING
35	43-817854A2		1	BEVEL PINION GEAR W/ILLUS. 50 AND SHIMS ORIGINAL FORCE P/N A 523266-2
36	F438930		1	RETAINER, SNOUT
37	F1994		1	HEX SOCKET HD CAP SCREW, 5/16 - 18 X 1
38	F523116-1		1	EXHAUST SNOUT
39	F1858		1	HEX CAP SCREW, 5/16 - 18 X 1
40	F8096		7	SPRING LOCKWASHER
41	F1491		6	HEX CAP SCREW, 5/16 - 18 3-1/4
42	FA523054		1	GEAR HOUSING W/DRIVESHAFT BEARING LOWER ILLUS. 30 ,31, 43 AND 44
43	F8077		2	WASHER,GEAR HOUSING PLUG
44	FA523109		1	PLUG, GEAR HOUSING
45	FA84621-1		1	COUPLING, GEAR SHIFT ARM W/BUSHING
46	F523705		1	GEAR SHIFT ROD, LOWER
47	F1015		1	COTTER PIN
48	F85372		1	PIN, GEAR SHIFT ROD, LOWER
49	F523555		1	SEAL, O-RING - GEAR HOUSING COVER
50	F523961		1	CRUSH RING
51	F74305		1	SEAL, DRIVESHAFT BEARING CAGE
52	F506118		1	SEAL, DRIVESHAFT
53	F2A550706		1	GEAR HOUSING COVER W/ILLUS. 52
54	F8083		7	SPRING LOCKWASHER
55	F1999		3	HEX CAP SCREW, 1/4 - 20 X 7/8 S.S.
56	F338618-1		1	SEAL, GEAR SHIFT ROD
57	F523031		1	GASKET, WATER PUMP
58	F523562		1	WATER PUMP BACK PLATE
59	F523065-1		1	WATER PUMP IMPELLER
60	46-817853A1		1	WATER PUMP BODY W/ILLUS. 62, 64 AND 65 ORIGINAL FORCE P/N A 523060-1
61	F1990		2	HEX CAP SCREW, 1/4 - 20 1-5/8 S.S.
62	F480388		1	DISC, WATER PUMP LOCATING
63	F1425		2	HEX CAP SCREW, 1/4 - 20 X 2-5/8 S.S.
64	F351307		1	SEAL, WATER PUMP
65	FA523735		1	SEAL, INLET WATERLINE LOWER W/LITERATURE
66	F523057		1	BEARING, DRIVESHAFT LOWER
67	F9106		A/R	SHIM, DRIVESHAFT BEARING UPPER .003 - BRASS
-	F9095		A/R	SHIM, DRIVESHAFT BEARING UPPER .005 - SILVER
-	F9097		A/R	SHIM, DRIVESHAFT BEARING UPPER .010 - BLACK
68	F523498		1	DRIVE KEY, WATERE PUMP

CONTINUED ON NEXT PAGE ➡

GEAR HOUSING



OB10002052

31

OB4086

GEAR HOUSING

REF. NO.	PART NO.	SYM.	QTY.	DESCRIPTION
69	45-817967A6		1	DRIVESHAFT W/BEARING ILLUS. 50, 67 AND LITERATURE (1258F6A,B - 1258FC6A,B - 1258X6A,B - 1258XC6A,B) ORIGINAL FORCE P/N K 616128-1
-	45-817961A6		1	DRIVESHAFT W/BEARING ILLUS. 50, 67 AND LITERATURE (1251F6A,B - 1251FC6A,B - 1251X6A,B - 1251XC6A,B) ORIGINAL FORCE P/N K 500128-3
70	F438271		1	RETAINER, CRANKSHAFT SPLINE SEAL
71	F438129		1	SEAL, DRIVESHAFT SPLINE
72	F1856		2	PLAIN WASHER
73	F90619-2		1	YOKE
74	FK1063-2		1	SEAL KIT INCLUDES ITEMS MARKED WITH A *
-	F50342-1		4	BEARING CAGE BOLT SEAL
-	F506118		1	PROPELLER SHAFT SEAL
-	F24278		1	PROPELLER SHAFT SPOOL SEAL
-	F84305		1	PROPELLER SHAFT SPOOL SEAL
-	F498618		1	GEAR SHAFT ARM PIN SEAL
-	F8077		3	WASHER
-	F523555		1	GEAR HOUSING COVER SEAL
-	F74305		1	GEAR HOUSING COVER SEAL
-	F84307-1		1	DRIVE SHAFT SEAL
-	F338618-1		1	GEAR SHIFT ROD SEAL
75	FK1069		1	WATER PUMP KIT INCLUDES ITEMS MARKED WITH A **
-	F1425		2	HEX CAP SCREW, 1/4 - 20 X 5/8 S.S.
-	F1990		2	HEX CAP SCREW, 1/4 - 20 X 1-5/8 S.S.
-	F8083		4	SPRING LOCKWASHER
-	F523031		1	GASKET, WATER PUMP
-	F523065-1		1	IMPELLER
-	F523498		1	KEY
-	F523562		1	PLATE, WATER PUMP
-	46-817853A1		1	WATER PUMP W/ILLUS. 62, 64 AND 65 ORIGINAL FORCE P/N A 523060-1
76	F8083		2	LOCKWASHER
77	F522056		1	BEARING
-	1600-819196A3		0	GEAR HOUSING COMPLETE. INCLUDES ALL ITEMS MARKED WITH AN ASTERISK (*). (1258F6A,B 1258FC6A,B - 1258X6A,B - 1258XC6A,B) ORIGINAL FORCE P/N C 631054-1
-	1600-819197A3		0	GEAR HOUSING COMPLETE INCLUDES ALL ITEMS MARKED WITH AN ASTERISK (*). 1251F6A,B 1251FC6A,B - 1251X6A,B - 1251XC6A,B) ORIGINAL FORCE P/N C 552054-2
78	F50109		2	PLUG

REMOTE CONTROL

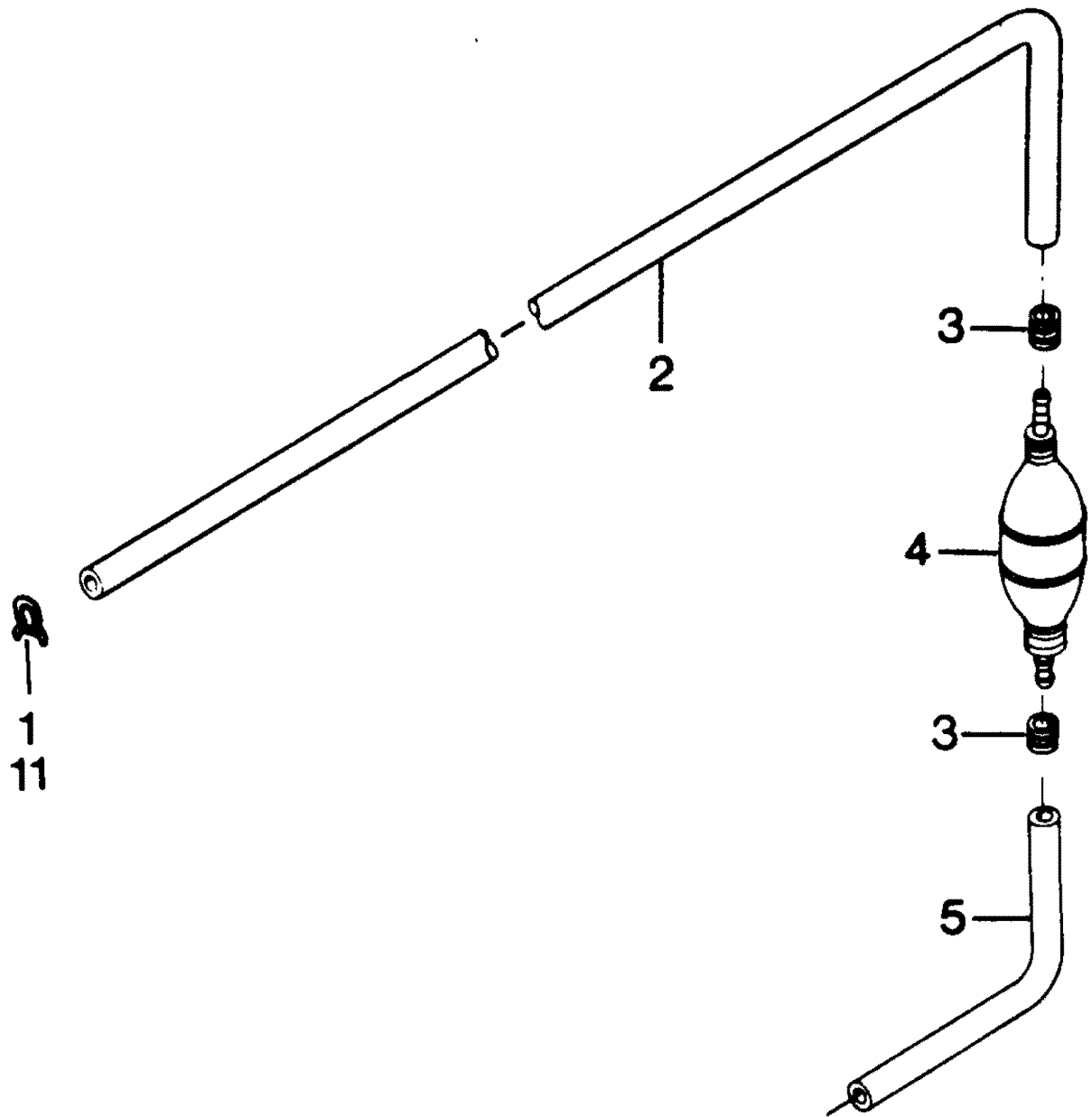
REF. NO.	PART NO.	SYM.	QTY.	DESCRIPTION
1	FA58976-1		1	CONNECTOR, THROTTLE CABLE
-	F654976		0	CONNECTOR, THROTTLE CABLE (BAYLINER MODELS)
2	F58685-2		1	CONNECTOR, SHIFT CABLE
3	F1513		4	HEX NUT
4	F195/___		1	REMOTE CONTROL CABLE (SPECIFY LENGTH) ACCESSORY ITEM (2 PER
5	F17019		1	CLUTCH ARM
6	F17036		2	INTERNAL TOOTH LOCKWASHER
7	F17155		2	HEX BOLT, 1/4 - 28 X 1/2
8	F17149		2	COTTER PIN
9	F17016		2	CABLE TERMINAL
10	F17014		2	THROTTLE ARM
11	F17013		1	FILL HD SCREW, 1/4 - 20 X 1/2
12	F8061		2	INTERNAL TOOTH LOCKWASHER
13	F17012		2	RETAINING PLATE
14	F17009		1	BEARING
15	F17011		3	BOWED WASHER
16	F17010-1		1	THROTTLE GEAR
17	F17111		1	DETENT BALL
18	F17006		1	DETENT SPRING
19	F17021		1	CLUTCH GEAR
20	F17100		1	CLUTCH SHAFT
21	F17092		1	SNAP RING
22	F17071		1	FILL HD SCREW, 10 - 24 X 5/16
23	F154317		2	CABLE CLAMP
24	F17026		1	SWIVEL
25	F17141		1	ROUND HD SCREW, 10 - 24 X 3/8
26	F17153		2	RETAINER PLATE
27	F580892-2		1	DECAL
29	F448543		1	KNOB (FORCE MODELS)
30	F448611-1		1	LEVER (FORCE MODELS)
31	F455690		1	SET SCREW
32	F449894		1	INDICATOR
33	F17105		1	FELT WASHER
34	F17106		1	COLLAR
35	F17154		1	WOOD SCREW
37	F17157		3	DETENT SPRING
38	F17082-1		1	DETENT BALL
39	F455449		1	SWITCH, TRIM (FORCE MODEL)
40	F1461		2	SCREW #6 X 7/8
41	F448446		1	CLAMP, TRIM SWITCH CABLE

CONTINUED ON NEXT PAGE ➡

REMOTE CONTROL

REF. NO.	PART NO.	SYM.	QTY.	DESCRIPTION
-	F1280		2	PAN HD SCREW, 8 - 32 X 1/4 (TERMINAL BOARD) (NOT SHOWN)
-	FK17156		1	BAG ASSEMBLY (NOT SHOWN). INCLUDES ITEMS MARKED WITH AN ASTERISK (*)
42	F1280		3	PAN HD SCREW, 8 - 32 X 1/4
43	FA551611		1	HANDLE W/SWITCH AND CABLE INCLUDES ITEMS 29, 30, 31, 39, 40 42 AND 44
44	F500843		1	CABLE (FORCE MODEL). FOR (BAYLINER) MDLS SEE ITEM 8 PAGE 25.

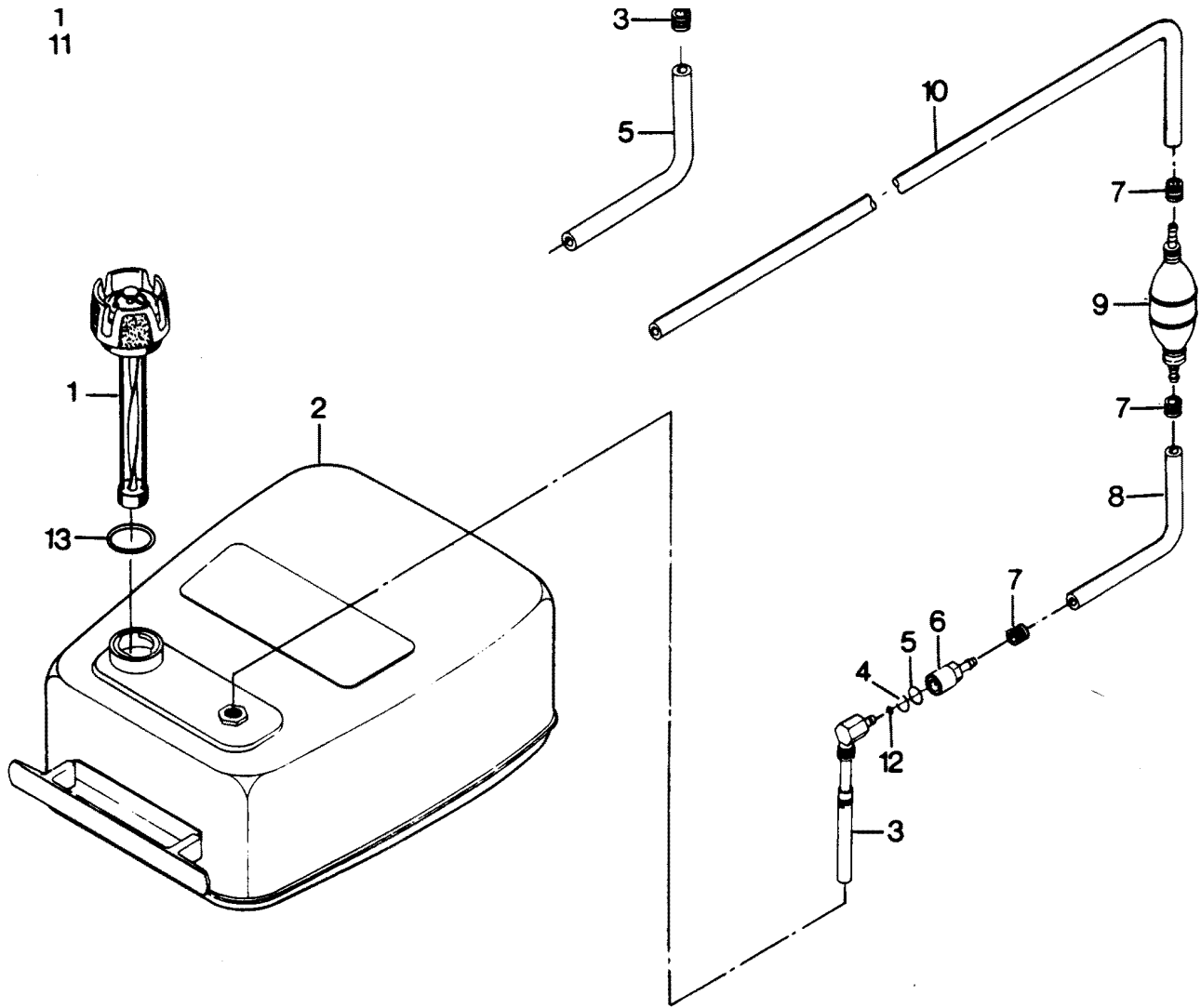
FUEL LINE



FUEL LINE

REF. NO.	PART NO.	SYM.	QTY.	DESCRIPTION
1	F97772		1	FUEL LINE CLAMP
2	32-817738A1		1	FUEL LINE W/ILLUS. 7 (QTY. 1) AND 11 10 FT. (CUT AS REQUIRED) ORIGINAL FORCE P/N A 197752-1
3	F298788		2	FERRULE
4	89396A38		1	PRIME BULB
5	FA84754-1		1	FUEL LINE SHORT W/FERRULES
-	FA599752		1	FUEL LINE COMPLETE INCLUDES ALL ITEMS MARKED WITH AN ASTERISK (*) 10 FOOT LONG

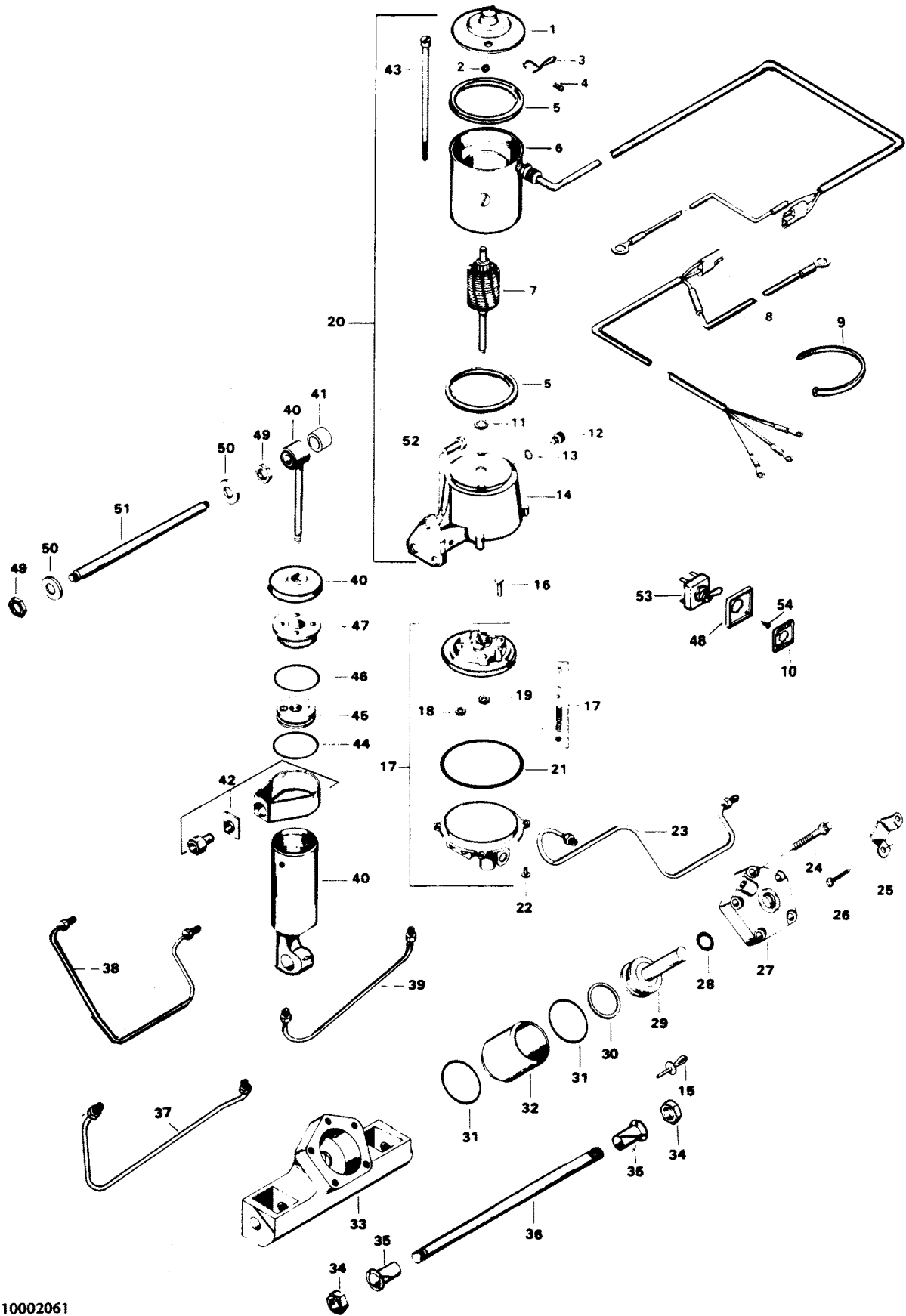
FUEL TANK AND LINE



FUEL TANK AND LINE

REF. NO.	PART NO.	SYM.	QTY.	DESCRIPTION
1	F409251-1		1	GAUGE CAP
2	F5H026-1		1	FUEL TANK (ACCESSORY ITEM) W/ILLUS. 1 AND 3
3	F485755-1		1	FUEL TANK ADAPTER
4	F17816		1	SEAL, FUEL LINE COUPLER (LARGE)
5	F17815		1	SEAL, FUEL LINE COUPLER (SMALL)
6	F197787-3		1	FUEL LINE COUPLER
7	F298788		3	FERRULE
8	FA84754-1		1	FUEL LINE SHORT W/FERRULES
9	89396A38		1	PRIME BULB
10	32-817738A1		1	FUEL LINE LONG W/ILLUS. 7 AND 11 ORIGINAL FORCE P/N A 197752-1
11	F97772		1	FUEL LINE CLAMP
12	F17817		1	SEAL, FUEL TANK ADAPTER
-	FS409752		1	FUEL LINE COMPLETE INCLUDES ALL ITEMS MARKED WITH AN ASTERISK(*) 10 FOOT LONG
13	F17818		1	GASKET

POWER TRIM UNIT



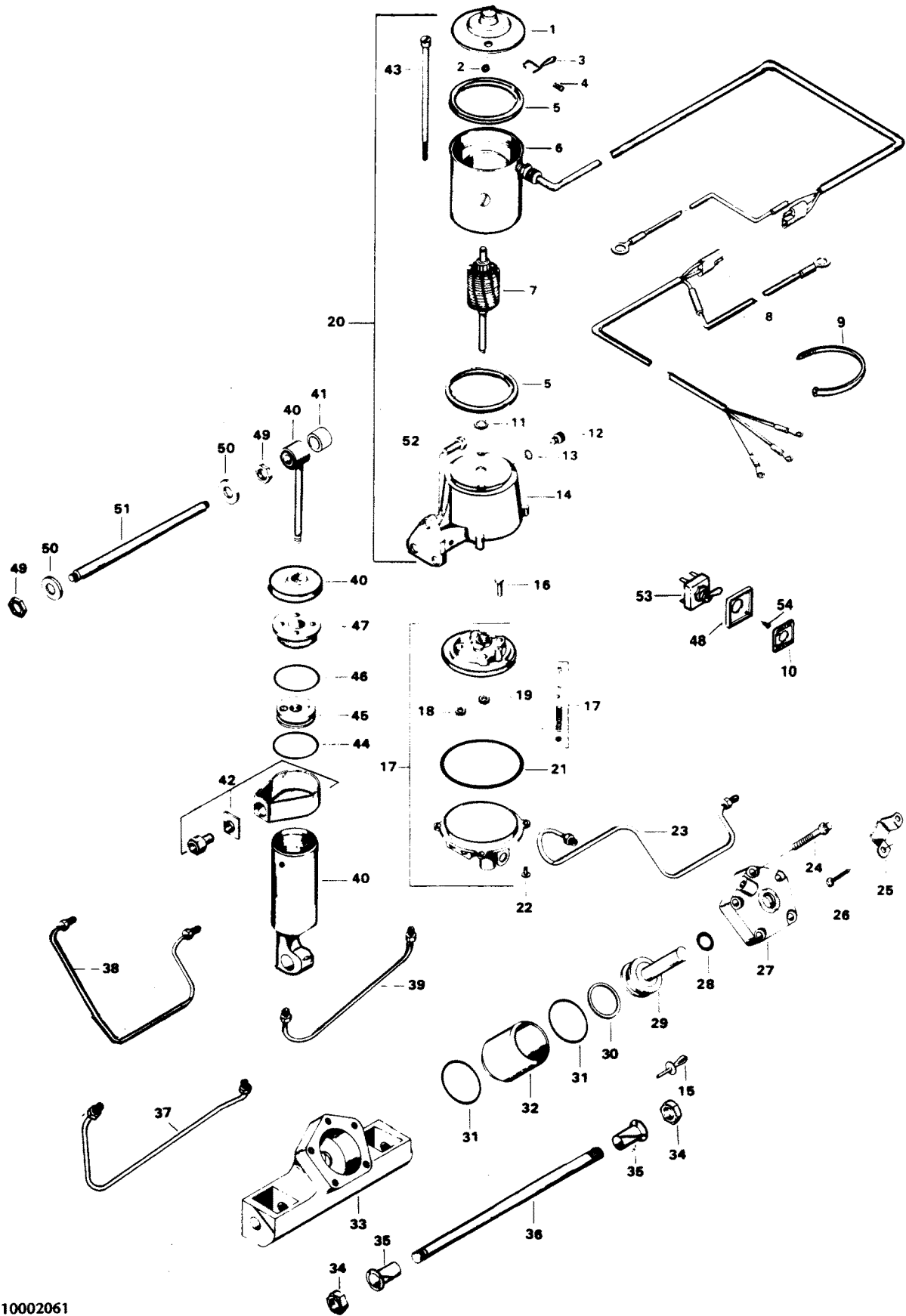
OB10002061

POWER TRIM UNIT

REF. NO.	PART NO.	SYM.	QTY.	DESCRIPTION
1	F17543		1	HEAD ASSEMBLY, COMMUTATOR END
2	F17539		1	BALL
3	F17504		0	BRUSH SET
4	F17500		1	SPRING SET
5	F17557		2	GASKET
6	F17556		1	FIELD AND FRAME ASSEMBLY
7	F17555		1	ARMATURE
8	F449843		1	CABLE
9	F1877		4	TY-RAP
10	F449181		1	PLATE, TRIM SWITCH
11	F17508		A/R	THRUST WASHER
12	F17518		1	FILLER CAP
13	F17510		1	O-RING
14	F17505		1	RESERVOIR AND BRACKET W/SEAL
15	F1966		1	PLUG, SWIVEL BRACKET
16	F1203		1	HEX CAP SCREW, 1/4 - 20 X 7/8
17	F17564		1	VALVE BODY AND PUMP W/ILLUS. 16, 18, 19 AND 21
18	F17566		1	IDLE GEAR
19	F17565		1	DRIVE GEAR
20	F17563		1	MOTOR AND RESERVOIR
21	F17522		1	O-RING
22	F1310		4	ROUND HD SCREW, 10 - 24 X 5/8
23	F449254		1	HYDRAULIC LINE, TRIM CYLINDER, UPPER
24	F1959		5	SCREW, 1/4 - 20 X 1-3/4, STAINLESS STEEL
25	F449354		1	THRUST BRACKET
26	F1734		2	SCREW AND LOCKWASHER, 1/4 - 20 X 1/2
27	FA449149		1	COVER W/SEALS AND RETAINER
28	F449342		1	SEAL, PISTON SHAFT
29	FA449015		1	PISTON
30	F449278		1	PISTON SEAL
31	F40278		2	SEAL, CYLINDER
32	F449010		1	CYLINDER
33	F449545-2		1	CYLINDER HOUSING
34	F1963		2	NUT, 5/8 - 18
35	F178362		2	BEARING
36	F449632		1	SHAFT
37	F449253-1		1	HYDRAULIC LINE, TRIM CYLINDER, LOWER
38	F449758		1	HYDRAULIC LINE, LIFT CYLINDER, UPPER
39	F449754-1		1	HYDRAULIC LINE, LIFT CYLINDER, LOWER
40	FA17559		1	LIFT CYLINDER COMPLETE W/ILLUS. 41
41	F178344		1	BUSHING, SHOCK ABSORBER - UPPER
42	F17577		1	ADAPTER FITTING PACKAGE
43	F17558		1	THRU-BOLT PACKAGE

CONTINUED ON NEXT PAGE ➡

POWER TRIM UNIT



OB10002061

POWER TRIM UNIT

REF. NO.	PART NO.	SYM.	QTY.	DESCRIPTION
44	FA17561-1		1	O-RING W/LITERATURE
45	F17562-1		1	PISTON ASSEMBLY
46	F17528		1	O-RING
47	F17560		1	HEAD ASSEMBLY
48	F413420		1	RETAINER, SWITCH PLATE
49	F1931		2	NUT, 1/2 - 20, STAINLESS
50	F1960		2	PLAIN WASHER
51	F449889		1	SHAFT, UPPER
52	F1822		3	SCREW, 5/16 - 18 X 7/8, STAINLESS STEEL
53	F299449-4		1	TOGGLE SWITCH
54	F1934		4	FLAT HD THREAD FORMING SCREW 6 X 1/2

SPECIAL TOOLS - TUNE-UP

REF. NO.	PART NO.	SYM.	QTY.	DESCRIPTION
-	FTA2937-1		0	TIMING TOOL TO ADJUST TIMING POINTER.
-	FT8978		0	TIMING LIGHT FOR ADJUSTING IGNITION TIMING.
-	FT8948-1		0	PULLER TO REMOVE FLYWHEEL.

SPECIAL TOOLS - POWER HEAD

REF. NO.	PART NO.	SYM.	QTY.	DESCRIPTION
-	FT2998		0	TORQUE WRENCH (0 - 100 LBS./FT.) TO TORQUE FLYWHEEL NUT.
-	FT2999		0	TORQUE WRENCH (0 - 600 LBS./FT.) TO TORQUE ALL FASTENERS.
-	FT2991		0	CARBON BRUSH TO REMOVE CARBON DEPOSITS FROM POWER HEAD.
-	FT8914		0	SEAL REMOVER TO REMOVE UPPER CRANKSHAFT BEARING CAGE SEAL.
-	FT8903		0	SEAL INSTALLER TO INSTALL UPPER CRANKSHAFT BEARING CAGE SEAL.
-	FT8907		0	DRIVER HANDLE USED WITH T 8903.
-	FT8925		0	SEAL INSTALLER TO INSTALL LOWER CRANKSHAFT SEAL.
-	FT2953		0	SOCKET TO TORQUE CONNECTING ROD SCREWS.
-	FT2990		0	PISTON PIN TOOL TO REMOVE AND INSTALL PISTON PINS.
-	FT2996		0	RING COMPRESSOR TO INSTALL PISTONS IN CYLINDER.
-	FT8926		0	RING EXPANDER TO INSTALL PISTON RINGS.
-	FT1082		0	SNAP RING PLIER TO REMOVE AND INSTALL DISTRIBUTOR RETAINING RING.
-	FT8933		0	LIFTING HOOK TO LIFT ENGINE.
-	FT8900		0	HOSE CLAMP PLIERS TO REMOVE FUEL LINE CLAMP.

SPECIAL TOOLS - GEAR HOUSING

REF. NO.	PART NO.	SYM.	QTY.	DESCRIPTION
-	FT8948-1		0	PULLER TO REMOVE PROPELLER SHAFT SPOOL FROM GEAR HOUSING.
-	FT11209		0	BEARING GUIDE SET TO REMOVE/INSTALL FORWARD BEARING CUP.
-	FT8918		0	BEARING GUIDE SET TO BE USED WITH T 11209 BEARING GUIDE SET.
-	FT11207		0	BEARING CUP REMOVER TO REMOVE FORWARD BEARING CUP IN GEAR HOUSING.
-	FT11205		0	BEARING INSTALLER/REMOVER TO REMOVE AND INSTALL LOWER DRIVESHAFT BEARING.
-	FT11204		0	BEARING CUP INSTALLER TO INSTALL FORWARD BEARING CUP IN GEAR HOUSING.
-	FT8930-1		0	FEELER GAUGE SET TO USE IN SHIMMING LOWER UNIT.
-	FT8957		0	SEAL INSTALLER TO INSTALL SHIFT ROD SEAL.
-	FT8985		0	SEAL INSTALLER TO INSTALL PROPELLER SHAFT SEAL IN SPOOL.
-	FT8925		0	SEAL INSTALLER TO INSTALL DRIVESHAFT SEAL IN GEAR HOUSING COVER.
-	FT3012		0	SEAL INSTALLER TO INSTALL DRIVESHAFT SEAL IN WATER PUMP.
-	FT8997		0	SHIM TOOL TO SHIM LOWER UNIT.
-	FT8901		0	INDICATOR HOLDER USED IN CONJUNCTION WITH T 8997.
-	FT8902		0	DIAL INDICATOR USED IN CONJUNCTION WITH T 8997.
-	FT8907		0	DRIVER HANDLE USED WITH T 11204, T 11205, T 11209.
-	FT8919		0	SPRING PIN PUNCH TO REMOVE CLUTCH SPRING PIN.
-	FT7848		0	TORQUE ADAPTER TO HOLD DRIVESHAFT SPLINE WHILE TORQUING.

SPECIAL TOOLS - TEST EQUIPMENT

REF. NO.	PART NO.	SYM.	QTY.	DESCRIPTION
-	FT2951		0	CIRCUIT TRACER TO TROUBLESHOOT ELECTRICAL SYSTEM.
-	FTK8999		0	TEST WHEEL TO TEST MOTOR IN TEST TANK. ORIGINAL FORCE P/N TA 8999
-	FT8950		0	LEAKAGE TESTER TO TEST LOWER UNIT SEALS FOR LEAKAGE.
-	FT11260		0	SPARK TESTER TO TEST OUTPUT OF IGNITION SYSTEM.
-	FT2938-1		0	CONTINUITY TESTER TO TEST CIRCUITS FOR CONTINUITY.
-	FT11259		0	MULTIMETER TO TEST ELECTRICAL COMPONENTS.

SPECIAL TOOLS - LUBRICANTS AND SEALANTS

REF. NO.	PART NO.	SYM.	QTY.	DESCRIPTION
-	FT2961		0	LUBRICANT - RYKON GREASE #2EP
-	FT2987-1		0	LUBRICANT - ANTI-SEIZE
-	FT8969		0	LUBRICANT - 7 OZ. LPS-1 LUBRICANT
-	FT8955		0	SEALANT - 5 OZ. EC-750 INDUSTRIAL SEALANT
-	FT8983		0	SEALANT - 3 OZ. RTV SEALANT FROM IN PLACE GASKETS
-	FT8936-1		0	SEALANT - 2 CC LOCTITE RETAINING COMPOUND #75
-	FT2962-2		0	SEALANT - 50 CC LOCTITE H, NON-HARDENING GRADE
-	FT2963-2		0	SEALANT - 2 OZ. LOCTITE 271
-	FT8935		0	SEALANT PRIMER LOC QUIC T

ACCESSORIES

REF. NO.	PART NO.	SYM.	QTY.	DESCRIPTION
-	F5H173		0	FLUSHING ADAPTER PERMITS FRESH WATER FLUSHING OF WATER PASSAGES WITH STANDARD GARDEN HOSE.
-	F5H130-1		0	REMOTE CONTROL - SURFACE MOUNT PERMITS REMOTE CONTROL OF THROTTLE AND GEAR SHIFT FROM STARBOARD SIDE OF BOAT.
-	F5H120		0	REMOTE CONTROL BACK PLATE TO PREVENT INTERFERENCE WITH PADDED SIDE OF BOAT.
-	F590		0	REMOTE CONTROL - FLUSH MOUNT FLUSH MOUNT CONTROL UNIT PERMITS REMOTE CONTROL OF THROTTLE AND GEAR SHIFT. MAY BE MOUNTED ON PORT OR STARBOARD SIDE OF BOAT.
-	F5H079		0	SINGLE REMOTE CONTROL BOX PERMITS REMOTE CONTROL OF THROTTLE AND GEAR SHIFT. CONSOLE MOUNTED.
-	F5H080		0	TWIN REMOTE CONTROL BOX PERMITS REMOTE CONTROL OF THROTTLE AND GEAR SHIFT - TWO ENGINES. CONSOLE MOUNTED.
-	F195/___		0	REMOTE CONTROL CABLES CONNECTS REMOTE CONTROL BOX TO THROTTLE AND GEAR SHIFT ON ENGINE. AVAILABLE IN 6 THROUGH 26 FOOT LENGTHS.
-	F5H132		0	REMOTE CONTROL HANDLE TRIM SWITCH HAS POWER TRIM CONTROL SWITCH IN HANDLE. REPLACES STANDARD CONTROL LEVER ON 5H130-1 CONTROL BOX.
-	F5H108		0	STEERING CONNECTOR CLEVIS TYPE FOR BOAT MOUNTED STEERING AND NON-THREADED CABLE END.
-	F5H094		0	STEERING LINK KIT CONNECTS STEERING CABLE TO ENGINE WHEN USING ENGINE MOUNTED STEERING SYSTEM.
-	F5H018		0	DUAL STEERING CONNECTOR PERMITS DUAL ENGINE INSTALLATIONS.
-	F5H019		0	ANTI-CORROSION KIT ELECTRICAL KIT FOR MOUNTING ON BOAT (12V) TO REDUCE CORROSION.
-	F5H025		0	ANTI-CORROSION SACRIFICIAL ANODE KIT USED TO REDUCE CORROSION.
-	F5H043		0	OVERHEAT BUZZER SOUNDS WARNING BUZZER IF ENGINE OVERHEATS.
-	F5H161		0	POWER TRIM INDICATOR INDICATES ENGINE TRIM ANGLE.
-	F5H044		0	TILT STOP KIT LIMITS TILTING ANGLE.
-	F5H068		0	RFI SUPPRESSION KIT PROVIDES RADIO NOISE SUPPRESSION.
-	F5H151		0	SHOCK ABSORBER KIT TO PROVIDE SHOCK PROTECTION WHEN HITTING UNDER-WATER OBJECT.
-	F5H081		0	BATTERY CABLE LONGER LENGTH - 15 FEET.
-	F5H157		0	VOLTMETER - FLUSH MOUNT INDICATES BATTERY CONDITION.
-	F5H021		0	EXTENSION CABLE FOR LENGTHENING BATTERY CABLE 6-1/2 FEET.
-	F5H041		0	BATTERY TERMINAL KIT FOR POSITIVE AND NEGATIVE BATTERY POSTS.
-	F5H037		0	CIGAR LIGHTER FOR USE AS CONVENIENCE OUTLET.

CONTINUED ON NEXT PAGE ➡

ACCESSORIES

REF. NO.	PART NO.	SYM.	QTY.	DESCRIPTION
-	5H158		0	FUEL GAUGE FLUSH MOUNT MONITORS FUEL SUPPLY.
-	F5H146		0	HYDRAULIC TILT HYDRAULIC UNIT TO RAISE AND LOWER THE LOWER UNIT WHEN BEACHING OR TRAILERING BOAT.
-	F5H159		0	HOURLY RECORDS ENGINE RUNNING TIME.
-	F5H077		0	IGNITION KEY SWITCH SHORT BARREL WITH KEYS.
-	F5H078		0	IGNITION KEY SWITCH LONG BARREL WITH KEYS.
-	F762		0	REMOTE ELECTRIC CABLE 25 FOOT CABLE FOR LARGE BOATS.
-	F5H070		0	REMOTE ELECTRIC CABLE 21 FOOT CABLE FOR LARGE BOATS.
-	F5H028		0	SENDING UNIT FOR USE WITH 5H158 FUEL GAUGE.
-	F5H156		0	TEMPERATURE GAUGE FLUSH MOUNT MONITORS ENGINE TEMPERATURE. DO NOT USE TEMPERATURE GAUGE AND HEAT LAMP IN SAME INSTALLATION.
-	F5H167		0	TACHOMETER FLUSH MOUNT MONITORS ENGINE R.P.M. TO PROVIDE CHECK OF ENGINE PERFORMANCE.
-	F5H150		0	POWER TRIM ADJUSTS ENGINE TRIM AND TILTS ENGINE.
-	F5H155		0	SPEEDOMETER FLUSH MOUNT MONITORS BOAT SPEED (10 - 65 M.P.H.).
-	F5H154		0	SPEEDOMETER FLUSH MOUNT MONITORS BOAT SPEED (10 - 50 M.P.H.).
-	F5H115		0	TRAILERING TILT LOCK SECURES ENGINE IN HALF TILT POSITION FOR TRAILERING (WITHOUT TRIM AND TILT).
-	F5H179		0	TRAILERING TILT LOCK SECURES ENGINE IN HALF TILT POSITION FOR TRAILERING (WITH TRIM AND TILT).
-	F5H076		0	SWITCH EXTENSION CABLE - 5 FT. ALLOWS INSTALLATION OF IGNITION SWITCH IN 5H130-1 CONTROL BOX WITH 563 TERMINAL BLOCK.
-	F5H030		0	SWITCH KIT - RUNNING LIGHTS DASH MOUNTED TOGGLE SWITCH.
-	F5H031		0	SWITCH KIT - SPOT LIGHT DASH MOUNTED TOGGLE SWITCH.
-	F5H032		0	SWITCH KIT - WIPER DASH MOUNTED TOGGLE SWITCH.
-	F5H034		0	SWITCH KIT - BILGE PUMP DASH MOUNTED TOGGLE SWITCH.
-	F5H035		0	SWITCH KIT - HORN DASH MOUNTED TOGGLE SWITCH (MOMENTARY).
-	F5H036		0	SWITCH KIT - TACHOMETER TRANSFER DASH MOUNTED TOGGLE SWITCH FOR ONE TACHOMETER ON DUAL ENGINE INSTALLATION.
-	F5H038		0	SWITCH KIT - IGNITION SWITCH TO MOUNT IGNITION SWITCH ON DASH.
-	F5H039		0	SWITCH KIT - INSTRUMENT LIGHT DASH MOUNTED TOGGLE SWITCH.
-	F563		0	TERMINAL BLOCK KIT DOUBLE ROW 10 SECTION TO SIMPLIFY ACCESSORY INSTALLATION.
-	F5H075		0	WIRING HARNESS - IGNITION SWITCH (24") USE WITH 563 TERMINAL BLOCK.
-	F596-		0	US MARINE OUTBOARD OIL SEE NOTE 1

CONTINUED ON NEXT PAGE ➡

ACCESSORIES

REF. NO.	PART NO.	SYM.	QTY.	DESCRIPTION
-	597-		0	US MARINE OUTBOARD GEAR LUBE SEE NOTE 2
-	F5H059		0	US MARINE OUTBOARD MULTI-PURPOSE GREASE LUBRICATES BEARINGS AND OTHER MOVING PARTS. AVAILABLE IN 8 OZ. TUBES AND 12 TUBE CASES.
-	F5H060		0	US MARINE OUTBOARD GREASE GUN USED WITH US MARINE OUTBOARD MULTI-PURPOSE GREASE TUBES FOR PRESSURE FITTINGS.
-	F5H181		0	FORCE WHITE ENAMEL ENGINE TOUCH-UP PAINT IN 13 OZ. AVERAGE SPRAY BOMBS (6 CANS PER CASE).
-	F5H182		0	FORCE WHITE ENAMEL

PARTS INDEX

Part Number	Description	Pg.	Ref. No.	Part Number	Description	Pg.	Ref. No.
5H158	FUEL GAUGE FLUSH MOUNT	60	-	F1341	HEX NUT, 1/4 - 20	25	27
817747--1	BALL JOINT W/STUD	21	23	F1341	NUT	15	19
817747--1	BALL JOINT W/STUD	25	25	F1341	NUT, 1/4 - 20	9	53
817782--1	KEY IGNITION - NO LETTER OR STAMPED A	7	19	F1341	NUT, 1/4 - 20	13	53
817782--1	KEY IGNITION - NO LETTER OR STAMPED A	11	19	F1346	HEX NUT	21	29
817783A5	SWIVEL BRACKET	35	47	F1346	HEX NUT	33	28
817788A3	SPACER PLATE	27	70	F1425	HEX CAP SCREW, 1/4 - 20 X 2-5/8 S.S.	39	63
817883--1	KEY IGNITION - STAMPED B	7	-	F1425	HEX CAP SCREW, 1/4 - 20 X 5/8 S.S.	41	-
817883--1	KEY IGNITION - STAMPED B	11	-	F1461	SCREW #6 X 7/8	43	40
817891--1	KEY IGNITION - STAMPED C	7	-	F1473	HEX NUT, 10 - 24	3	29
817891--1	KEY IGNITION - STAMPED C	11	-	F1491	HEX CAP SCREW, 5/16 - 18 3-1/4	39	41
817928--1	KEY IGNITION - STAMPED D	7	-	F1504	FILL HD. SCREW, 1/4 - 20 X 1-1/4	25	13
817928--1	KEY IGNITION - STAMPED D	11	-	F1504	FILL HD. SCREW, 1/4 - 20 X 1-1/4	29	91
817929--1	KEY IGNITION - STAMPED E	7	-	F1513	HEX NUT	43	3
817929--1	KEY IGNITION - STAMPED E	11	-	F1513	HEX NUT, 10 - 32	7	26
817960A2	TOWERSHAFT	25	22	F1513	HEX NUT, 10 - 32	11	26
89396A38	PRIME BULB	47	4	F1513	HEX NUT, 10 - 32	21	27
89396A38	PRIME BULB	49	9	F1513	HEX NUT, 10 - 32	27	42
F1009	HEX HD. SCREW, 3/8 - 16 X 2-3/4	25	3	F1513	HEX NUT, 10 - 32	27	42
F1014	COTTER PIN	17	11	F1515	HEX NUT 5/16 - 18	35	70
F1015	COTTER PIN	39	47	F1515	HEX NUT, 5/16 - 18	7	29
F1034	PAN HD. SCREW, 1/4 - 20 X 1-3/8	17	33	F1515	HEX NUT, 5/16 - 18	11	29
F1052	FILL HD. SCREW, 1/4 - 20 X 1	25	28	F1515	HEX NUT, S.S., 5/16 - 18	7	25
F1059	FILL HD SCREW, 6 - 32 X 1/4	17	15	F1515	HEX NUT, S.S., 5/16 - 18	11	25
F1064	FILL HD. SCREW, 8 - 32 X 3/8	17	37	F15152	LOCKWASHER	15	18
F1107	SLOTTED FILL HD. CAP SCREW, 1/4 - 20 X 3/4	29	92	F15158	SCREW, BRUSH HOLDER	15	15
F1108	FILL HD. SCREW, 1/4 - 20 X 3/4	21	13	F15160	INSULATOR WASHER	15	16
F1112	FILL HD SCREW, 1/4 - 20 X 7/8	37	20	F15161	PLAIN WASHER	15	17
F1203	HEX CAP SCREW, 1/4 - 20 X 7/8	51	16	F15162	NUT	15	20
F1236	SCREW, 1/4 - 20 X 1/2	21	22	F15164	BRUSH KIT	15	7
F1253	HEX SOCKET HD. CAP SCREW, 3/8 - 16 X 2	25	9	F15174	DRIVE KIT	15	1
F1263	HEX SOCKET HD CAP SCREWS, 5/16 - 18 X 9/16	33	11	F15175	DRIVE ASSEMBLY PINION	15	2
F1280	PAN HD SCREW, 8 - 32 X 1/4	33	19	F15176	CAP STARTER DRIVE	15	3
F1280	PAN HD SCREW, 8 - 32 X 1/4	45	42	F15177	ARMATURE	15	4
F1280	PAN HD SCREW, 8 - 32 X 1/4 (TERMINAL BOARD) (NOT SHOWN)	45	-	F15178	THRU BOLT PACKAGE	15	5
F1280	SLOTTED PAN HD SCREW, 8 - 32 X 1/4	7	15	F15179	COMMUTATOR	15	6
F1280	SLOTTED PAN HD SCREW, 8 - 32 X 1/4	11	15	F1532	HEX HD. SCREW, 1/4 - 20 X 1	21	20
F1286	PAN HD. SCREW, 4 - 40 X 3/16	25	37	F1532	HEX HD. SCREW, 1/4 - 20 X 1	25	33
F1303	PAN HD SCREW, 8 - 32 X 3/4	9	70	F1532	HEX HD. SCREW, 1/4 - 20 X 1	29	106
F1303	PAN HD SCREW, 8 - 32 X 3/4	13	70	F154317	CABLE CLAMP	43	23
F1310	ROUND HD SCREW, 10 - 24 X 5/8	51	22	F1550	SLOTTED PAN HD SCREW #12 - 24 X 1	9	60
				F1550	SLOTTED PAN HD SCREW #12 - 24 X 1	13	60
				F1556	FILL HD. SCREW, W/ LOCKWASHER, 10 - 24 X 3/8	25	29
				F1593	HEX HD SCREW, 3/8 - 16 X 3	33	26
				F1641	LOCK NUT	15	8
				F1645	RD HD SCREW, 6 - 32 X 1/4	7	5
				F1645	RD HD SCREW, 6 - 32 X 1/4	11	5
				F1647	HEX NUT, 8 - 32	7	8
				F1647	HEX NUT, 8 - 32	11	8

PARTS INDEX

Part Number	Description	Pg.	Ref. No.	Part Number	Description	Pg.	Ref. No.
F1648	PAN HD SCREW, 10 - 24 X 3/4	7	20	F1733	PAN HD SCREW, 10 - 24 X 9/16	3	2
F1648	PAN HD SCREW, 10 - 24 X 3/4	11	20	F1734	FILL HD SCREW, 1/4 - 20 X 1/2	11	12
F1664	SPRING PIN	33	10	F1734	FILL HD. SCREW, 1/4 - 20 X 1/2	7	12
F1693	TIE BAR RETAINER NUT	17	36	F1734	SCREW AND LOCKWASHER, 1/4 - 20 X 1/2	51	26
F1696	HEX BOLT, 5/16 - 18 X 1-3/4	33	23	F1741	PAN HD SCREW 8 X 3/4	13	49
F1699	HEX BOLT, 1/4 - 20 X 1-1/8	29	94	F1741	PAN HD SCREW, 8 X 3/4	9	49
F1699	HEX HD. SCREW, 1/4 - 20 X 1-1/8	25	8	F17500	SPRING SET	51	4
F17006	DETENT SPRING	43	18	F17504	BRUSH SET	51	3
F17009	BEARING	43	14	F17505	RESERVOIR AND BRACKET W/SEAL	51	14
F17010-1	THROTTLE GEAR	43	16	F17508	THRUST WASHER	51	11
F17011	BOWED WASHER	43	15	F17510	O-RING	51	13
F17012	RETAINING PLATE	43	13	F17518	FILLER CAP	51	12
F17013	FILL HD SCREW, 1/4 - 20 X 1/2	43	11	F17522	O-RING	51	21
F17014	THROTTLE ARM	43	10	F17528	O-RING	53	46
F17016	CABLE TERMINAL	43	9	F17539	BALL	51	2
F17019	CLUTCH ARM	43	5	F17543	HEAD ASSEMBLY, COMMUTATOR END	51	1
F17021	CLUTCH GEAR	43	19	F1755	ROUND HD. SCREW W/LOCKWASHER 6 - 32 X 1/4	21	38
F17026	SWIVEL	43	24	F17555	ARMATURE	51	7
F1703	LOCKWASHER	27	68	F17556	FIELD AND FRAME ASSEMBLY	51	6
F1703	SPRING LOCKWASHER	35	53	F17557	GASKET	51	5
F17036	INTERNAL TOOTH LOCKWASHER	43	6	F17558	THRU-BOLT PACKAGE	51	43
F1704	INTERNAL TOOTH LOCKWASHER	7	4	F17560	HEAD ASSEMBLY	53	47
F1704	INTERNAL TOOTH LOCKWASHER	11	4	F17562-1	PISTON ASSEMBLY	53	45
F1705	HEX CAP SCREW, 1/4 - 20 X 3/4 S.S.	37	1	F17563	MOTOR AND RESERVOIR	51	20
F1705	HEX WASHER HD M SCREW, 1/4 - 20 X 3/4	9	68	F17564	VALVE BODY AND PUMP	51	17
F1705	HEX WASHER HD. M SCREW, 1/4 - 20 X 3/4	13	68	F17565	DRIVE GEAR	51	19
F17071	FILL HD SCREW, 10 - 24 X 5/16	43	22	F17566	IDLE GEAR	51	18
F1708	HEX HD CAP SCREW, 1/4 - 20 X 1-3/8	3	13	F17577	ADAPTER FITTING PACKAGE	51	42
F17082-1	DETENT BALL	43	38	F1760	SLOTTED PAN HD SCREW, 10 - 24 X 3/8	9	40
F17092	SNAP RING	43	21	F1760	SLOTTED PAN HD SCREW, 10 - 24 X 3/8	13	40
F1710	PLAIN WASHER	33	33	F177330	FUEL PUMP VALVE	21	10
F17100	CLUTCH SHAFT	43	20	F178145-4	MOTOR LEG COVER REAR	33	9
F17105	FELT WASHER	43	33	F17815	SEAL, FUEL LINE COUPLER (SMALL)	49	5
F17106	COLLAR	43	34	F17816	SEAL, FUEL LINE COUPLER (LARGE)	49	4
F17111	SPRING BOWED WASHER	35	41	F178168-1	CARBURETOR ADAPTER GASKET	29	-
F17111	DETENT BALL	43	17	F178168-1	GASKET, CARBURETOR ADAPTER	21	35
F1713	SPRING PIN	37	26	F17817	SEAL, FUEL TANK ADAPTER	49	12
F17141	ROUND HD SCREW, 10 - 24 X 3/8	43	25	F17818	GASKET	49	13
F17149	COTTER PIN	43	8	F178323	SEAL, MOTOR LEG	33	13
F17153	RETAINER PLATE	43	26	F178344	BUSHING, SHOCK ABSORBER - UPPER	51	41
F17154	WOOD SCREW	43	35	F178362	BEARING	33	35
F17155	HEX BOLT, 1/4 - 28 X 1/2	43	7	F178362	BEARING	51	35
F17157	DETENT SPRING	43	37	F178404-1	DEFLECTOR PLATE	21	36
F1727	PLASTIC RIVET	25	24				
F1729	PLUG	33	8				

PARTS INDEX

Part Number	Description	Pg.	Ref. No.	Part Number	Description	Pg.	Ref. No.
F178754-1	FUEL LINE	17	8	F19109	PLUG	27	78
F1788	STOP NUT	37	15	F1912	HEX HD SCREW, 10 - 24 X 1/2	35	51
F1804	STOP NUT	27	75	F1922	HEX CAP SCREW, 1/4 - 20 5/8	15	10
F18160-3	CYLINDER DRAIN REED	27	40	F1922	HEX CAP SCREW, 1/4 - 20 5/8	27	52
F1822	HEX BOLT, 5/16 - 18 X 7/8	35	58	F1922	HEX CAP SCREW, 1/4 - 20 X 5/8	21	5
F1822	SCREW, 5/16 - 18 X 7/8, STAINLESS STEEL	53	52	F1922	HEX SLOT HD SCREW, 1/4 - 20 X 5/8	3	14
F1829	FILL HD. SCREW, 10 - 24 X 7/8	25	23	F1931	NUT, 1/2 - 20, STAINLESS	53	49
F1831	FLAT HD. SCREW, 1/4 - 20 X 5/8	23	42	F1934	FLAT HD SCREW, 6 X 1/2	11	21
F1832	NUT, LOCK 1/4 - 20	9	57	F1934	FLAT HD SCREW, 6 X 12	7	21
F1832	NUT, LOCK 1/4 - 20	13	57	F1934	FLAT HD THREAD FORMING SCREW 6 X 1/2	53	54
F1832	STOP NUT, 1/4 - 20	27	62	F1936	SPACER, BEVEL GEAR FRONT .059	37	28
F184033-1	SWIVEL, TOP CARBURETOR	17	14	F1937	SPACER, BEVEL GEAR FRONT .062	37	-
F184122-1	SEAL	29	-	F1938	SPACER, BEVEL GEAR FRONT .065	37	-
F184122-1	SEAL, PARTING LINE	27	45	F1939	SPACER, BEVEL GEAR FRONT .068	37	-
F184579	O-RING SEAL	17	13	F1940	SPACER, BEVEL GEAR FRONT .071	37	-
F1854	HEX CAP SCREW 1/4 - 20 5/8	3	24	F1941	SPACER, BEVEL GEAR FRONT .074	37	-
F1854	HEX HD CAP SCREW, 1/4 - 20 5/8	15	12	F1942	SPACER, BEVEL GEAR FRONT .077	37	-
F1856	PLAIN WASHER	41	72	F195/___	REMOTE CONTROL CABLE (SPECIFY LENGTH)	43	4
F1857	HEX CAP SCREW, 5/16 - 18 X 5/8	3	17	F195/___	ACCESSORY ITEM (2 PER REMOTE CONTROL CABLES)	59	-
F1857	HEX CAP SCREW, 5/16 - 18 X 5/8	3	32	F1950	HEX CAP SCREW, 10 - 24 X 5/8	29	98
F1858	HEX CAP SCREW, 5/16 - 18 X 1	3	18	F1959	SCREW, 1/4 - 20 X 1-3/4, STAINLESS STEEL	51	24
F1858	HEX CAP SCREW, 5/16 - 18 X 1	39	39	F1960	PLAIN WASHER	53	50
F1860	RD HD SCREW, 6 - 32 X 1/4	21	9	F1963	NUT, 5/8 - 18	51	34
F1864	HEX CAP SCREW, 1/4 - 20 X 3/4	3	9	F1966	PLUG, SWIVEL BRACKET	51	15
F1864	HEX CAP SCREW, 1/4 - 20 X 3/4	27	73	F1968	FLYWHEEL NUT	31	20
F1864	HEX HD. SCREW, 1/4 - 20 3/4	25	11	F1968	HEX NUT 3/4 - 16	9	62
F1864	HEX SLOT HD SCREW, 1/4 - 20 X 3/4	33	3	F1968	HEX NUT, 3/4 - 16	13	62
F1866	PLAIN WASHER	37	16	F1975	LOCKWASHER	7	18
F1869	HEX CAP SCREW, 3/8 - 16 X 1-1/4	27	67	F1975	LOCKWASHER	11	18
F1871	HEX HD SCREW, 3/8 - 16 X 3/4	35	54	F197787-3	FUEL LINE COUPLER	49	6
F1871	HEX HD SCREW, 3/8 - 16 X 3/4	35	54	F1987	PLAIN WASHER	27	81
F1872	HEX CAP SCREW, 3/8 - 16 X 1-3/4	25	12	F1987	PLAIN WASHER	35	65
F1873	HEX CAP SCREW, 3/8 - 16 X 3	25	7	F1990	HEX CAP SCREW, 1/4 - 20 1-5/8 S.S.	39	61
F1874	HEX HD. SCREW, 3/8 - 16 X 1/8	25	2	F1990	HEX CAP SCREW, 1/4 - 20 X 1-5/8 S.S.	41	-
F1877	TY-RAP	51	9	F1994	HEX SOCKET HD CAP SCREW, 5/16 - 18 X 1	39	37
F1877	TY-RAP (NOT SHOWN)	9	64	F1997	STOP NUT, 8 - 32	19	47
F1877	TY-RAP (NOT SHOWN)	13	64	F1999	HEX CAP SCREW, 1/4 - 20 X 7/8 S.S.	39	55
F1885	HEX BOLTS. S.S., 5/16 - 18 X 4-1/4	27	55	F2000	HEX CAP SCREW, 5/16 - 18 X 3/4	29	104
F1885	HEX CAP SCREW, 5/16 - 18 X 4-1/4 S.S.	37	6				
F1904	PLAIN WASHER	33	27				
F1907	PLAIN WASHER S.S.	37	7				

PARTS INDEX

Part Number	Description	Pg.	Ref. No.	Part Number	Description	Pg.	Ref. No.
F2008	HEX CAP SCREW, 1/4 - 20 X 7/8	29	82	F269319	THROTTLE CAM BEARING	21	26
F2008	HEX HD SCREW, 1/4 - 20 7/8	23	43	F284659-2	CRANKSHAFT THRUST BEARING, UPPER	31	21
F2008	HEX HD. M. S.C., 1/4 - 20 X 7/8	13	44	F286818	BEARING, LATCH SHAFT	3	7
F2008	HEX HD. SC., 1/4 - 20 X 7/8	9	44	F289446-1	CLAMP, REMOTE ELEC. CABLE TO BRACKET	7	11
F2008	HEX HD. SCREW, 1/4 - 20 X 7/8	25	5	F289446-1	CLAMP, REMOTE ELEC. CABLE TO BRACKET	11	11
F2008	HEX HD. SCREW, 1/4 - 20 X 7/8	25	6	F298788	FERRULE	47	3
F2008	SLOTTED PAN HD SCREW 1/4 - 20 X 7/8	13	47	F298788	FERRULE	49	7
F2008	SLOTTED PAN HD SCREW, 1/4 - 20 X 7/8	9	47	F299449-4	TOGGLE SWITCH	53	53
F2014	PLAIN WASHER	35	67	F2A476757	CYLINDER DRAIN REED PLATE	27	41
F2015	HEX NUT, 1/4 - 28	25	17	F2A523239	SPOOL, PROPELLER SHAFT BEARING	37	11
F2016	SLOTTED FILL HD SCREW, 6 - 32 X 7/8	11	1	F2A523662	BEVEL GEAR REAR W/BEARING CAGE, SPACER AND BEARING	37	22
F2016	SLOTTED FILL HD SCREW. 6 - 32 X 7/8	7	1	F2A550706	GEAR HOUSING COVER	39	53
F2030	HEX HD SCREW, 1/4 - 20 X 1-1/4	35	55	F2A615144	CRANKSHAFT BEARING CAGE	31	17
F2033	GROOVE PIN	17	3	F307317	CLIP TERMINAL BLOCK GROUND	7	17
F2042	PLAIN WASHER	27	59	F307317	CLIP, TERMINAL BLOCK GROUND	11	17
F2047	WAVE SPRING WASHER	3	21	F316579	SEAL, CRANKCASE	31	11
F2049	HEX CAP SCREW, 5/16 - 18 X 2-5/8	27	80	F316599	SEAL, STEERING SUPPORT TUBE	35	44
F2066	PAN HD TAPPING SCREW, 10 X 7/16	3	33	F319908	WIRE, GROUND (C.D.-COIL BRACKET)	9	56
F2067	PLASTIC CAP	31	22	F319908	WIRE, GROUND (C.D.-COIL BRACKET)	13	56
F2081	HEX SOC. HD SCREW, 1/4 - 20 X 3/4	31	18	F321756	PACKING	3	25
F2088	FASTENER	3	27	F322273	STUD	9	71
F2089	SLOTTED PAN HD. M. SCREW, 10 - 24 X 5/16	27	60	F322273	STUD	13	75
F2090	PLUG	27	71	F333316	THROTTLE ROLLER SHAFT	19	45
F2093	STOP NUT, 3/8 - 24	33	15	F333480-1	RETAINER, ENGINE COVER	3	35
F2106	LOCKWASHER	9	55	F335215	SPACER, PISTON PIN (2 PER PISTON)	31	3
F2106	LOCKWASHERE	13	55	F335217-1	BEARING PISTON PIN (26 PER SET)	31	5
F2108	LOCK NUT	35	64	F335654-1	DEFLECTION STOP	3	15
F2108	STOP NUT, 5/16 - 18	27	61	F338618-1	GEAR SHIFT ROD SEAL	41	-
F2113	SPACER, BEVEL GEAR FRONT .080	37	-	F338618-1	SEAL, GEAR SHIFT ROD	39	56
F2114	SPACER, BEVEL GEAR FRONT .083	37	-	F345683	WIRE, GROUND (RECTIFIER TO STARTER BOLT)	9	51
F2115	SPACER, BEVEL GEAR FRONT .086	37	-	F345683	WIRE, GROUND (RECTIFIER TO STARTER BOLT)	13	51
F2116	SPACER, BEVEL GEAR FRONT .089	37	-	F351307	SEAL, WATER PUMP	39	64
F2121	SPACER, BEVEL GEAR FRONT .057	37	-	F353480	STUD	33	29
F2122	SPACER, BEVEL GEAR FRONT .054	37	-	F369610	BEARING	27	64
F213274	GREASE FITTING	35	43	F369887	SHOULDER SCREW	27	65
F215962	MOUNT (SHOCK - C.D. UNIT)	7	32	F369977-1	INTERLOCK ARM	27	63
F215962	MOUNT (SHOCK - C.D. UNIT)	11	32	F372151-1	EXHAUST PORT PLATE	29	97
F24278	PROPELLER SHAFT SPOOL SEAL	41	-	F372152-2	EXHAUST PORT COVER	29	95
F24278	SEAL, O-RING PROPELLER SHAFT SPOOL	37	10	F372154-1	EXHAUST PLATE GASKET	29	-
				F372154-1	GASKET, EXHAUST PORT PLATE	29	96
				F372958	CHOKE BRACKET	21	19
				F381896-4	BATTERY CABLE	7	34

PARTS INDEX

Part Number	Description	Pg.	Ref. No.	Part Number	Description	Pg.	Ref. No.
F381896-4	BATTERY CABLE	11	34	F441754-1	HOSE	21	3
F391926-1	PLUNGER	17	5	F448446	CLAMP, TRIM SWITCH		
F3A523158	REED PLATE	21	41		CABLE	43	41
F3C654944	ENGINE COVER COMPLETE.	3	-	F448543	KNOB (FORCE MODELS)	43	29
F40223	GASKET, TRANSFER PORT			F448611-1	LEVER (FORCE MODELS)	43	30
	COVER	27	50	F449010	CYLINDER	51	32
F40223	TRNASFER PORT COVER			F449181	PLATE, TRIM SWITCH	51	10
	GASKET	29	-	F449253-1	HYDRAULIC LINE, TRIM		
F40278	SEAL, CYLINDER	51	31		CYLINDER, LOWER	51	37
F404268	BY-PASS VALVE SPRING	29	101	F449254	HYDRAULIC LINE, TRIM		
F404314	ELBOW, FUEL PUMP COVER	21	2		CYLINDER, UPPER	51	23
F404314	FITTING	27	54	F449278	PISTON SEAL	51	30
F404801	ELBOW, CYLINDER DRAIN			F449342	SEAL, PISTON SHAFT	51	28
	UPPER (NOT SHOWN)	25	-	F449354	THRUST BRACKET	51	25
F404841	CABLE, HEAT INDICATOR	9	52	F449545-2	CYLINDER HOUSING	51	33
F404841	CABLE, HEAT INDICATOR	13	52	F449632	SHAFT	51	36
F405457	PIVOT SCREW	25	31	F449754-1	HYDRAULIC LINE, LIFT		
F406406	DEFLECTOR PLATE				CYLINDER, LOWER	51	39
	GASKET	29	-	F449758	HYDRAULIC LINE, LIFT		
F406406	GASKET DEFLECTOR				CYLINDER, UPPER	51	38
	PLATE	21	37	F449843	CABLE	51	8
F406471-1	CYLINDER DRAIN COVER	25	35	F449889	SHAFT, UPPER	53	51
F406754-1	HOSE	27	53	F449894	INDICATOR	43	32
F40689-1	BEARING	27	69	F455449	SWITCH, TRIM (FORCE		
F407446	CLAMP	7	33		MODEL)	43	39
F407446	CLAMP	11	33	F455690	SET SCREW	43	31
F409251-1	GAUGE CAP	49	1	F474073-1	CLAMP SCREW	33	31
F413420	RETAINER, SWITCH PLATE	53	48	F475301-1	MODULE	9	45
F428096	RETAINER,			F475504	GROMMET	9	42
	THERMOSWITCH	13	74	F475504	GROMMET	13	42
F433209-1	THROTTLE CAM STUD	21	32	F476066-1	THERMOSTAT COVER	29	90
F433473	CUP, METERING	19	51	F476067	GASKET	29	87
F438066	BY-PASS VALVE COVER	29	99	F476067	THERMOSTAT COVER		
F438129	SEAL, DRIVESHAFT SPLINE	41	71		GASKET	29	-
F438165	SCREW, FUEL PUMP BOWL	21	18	F476529-1	CYLINDER HEAD GASKET	27	76
F438169	BEARING	33	38	F476529-1	CYLINDER HEAD GASKET	29	-
F438271	RETAINER, CRANKSHAFT			F480038-2	SUPPORT PLATE	3	10
	SPLINE SEAL	41	70	F480107-1	CAM STARTER INTERLOCK	27	57
F438346	SHOCK MOUNT LOWER	35	61	F480388	DISC, WATER PUMP		
F438500	FUEL SEDIMENT BOWL	21	17		LOCATING	39	62
F438617	FUEL SEDIMENT BOWL			F481382-1	SPACER, LATCH SHAFT	3	22
	GASKET	21	15	F481434	GUIDE, ENGINE COVER	3	26
F438653	FUEL SEDIMENT BOWL			F481774	BRACKET, ENGINE COVER		
	SCREEN	21	16		LATCH	3	28
F438668	RETAINER	9	66	F481777	CAM, LATCH SHAFT	3	20
F438668	RETAINER	13	66	F485755-1	FUEL TANK ADAPTER	49	3
F438747	FUEL PUMP DIAPHRAGM	21	8	F489551	BRACKET NEUTRAL		
F438754	FUEL LINE	17	16		INTERLOCK SWITCH	23	44
F438760	FUEL PUMP GASKET	21	4	F491689-1	BEARING TOWERSHAFT		
F438801	FITTING	21	14		UPPER	29	109
F438930	RETAINER, SNOUT	39	36	F498618	GEAR SHAFT ARM PIN SEAL	41	-
F438962	SHOCK MOUNT LOWER			F498618	SEAL	39	33
	REAR	33	12	F498891	PIN, GEAR SHIFT ARM	39	32
F439736	SEAL, EXHAUST TUBE	35	68	F499026	SWIVEL	25	16
F440192-1	THROTTLE CAM	21	28	F499035	END, CONTROL ROD (TO		
F440209	CARBURETOR STUD	21	30		TOWERSHAFT)	25	18
F440254	BALANCE TUBE	21	34	F499036	END, CONTROL ROD (TO		
F440906	CARBURETOR GASKET	21	31		TRIGGER)	25	21
F440906	CARBURETOR GASKET	29	-				
F440925	CHOKE ROD	17	4				

PARTS INDEX

Part Number	Description	Pg.	Ref. No.	Part Number	Description	Pg.	Ref. No.
F500244	INLET WATERLINE	37	-	F523961	CRUSH RING	39	50
F500606	KINGPIN CAP (1251F6A,B, 1251FC6A,B, 1251X6A,B, 1251XC6A,B)	35	69	F525629	PIN, COTTER	35	73
F500615	GEAR SHIFT ROD UPPER . .	35	-	F528068	THERMOSTAT	29	88
F500707	COVER SHOCK MT. LOWER	33	36	F528995	COVER, CYLINDER HEAD . .	27	79
F500843	CABLE (FORCE MODEL). FOR (BAYLINER) MDLS SEE ITEM 8 PAGE 25. . . .	45	44	F530160	REED (5 PETAL)	21	40
F500894	POINTER, TIMING	23	51	F532299	WASHER, PROPELLER SPLINE	37	17
F50109	PLUG	41	78	F545189	BUSHING CABLE ENTRY . .	3	12
F50342-1	BEARING CAGE BOLT SEAL	41	-	F548984	BLANKET, SILENCER TOP (NOT SHOWN)	3	-
F50342-1	SEAL, BEARING CAGE BOLTS	37	8	F549189	BUSHING, ELECTRIC CABLE	3	11
F506118	PROPELLER SHAFT SEAL .	41	-	F552985	BLANKET, SILENCER SIDE (NOT SHOWN)	3	-
F506118	SEAL, DRIVESHAFT	39	52	F563	TERMINAL BLOCK KIT	60	-
F506118	SEAL, PROPELLER SHAFT .	37	9	F580892-2	DECAL	43	27
F510374-1	DECAL, CIRCUIT BREAKER	7	37	F58685-2	CONNECTOR, SHIFT CABLE	43	2
F510374-1	DECAL, CIRCUIT BREAKER	11	37	F589061-1	CARBURETOR COMPLETE (BOTTOM)	17	27
F510460	CIRCUIT BREAKER	9	38	F590	REMOTE CONTROL - FLUSH MOUNT	59	-
F510460	CIRCUIT BREAKER	13	38	F598387	DECAL, POWER FLOW	35	71
F511125-2	TUBE, STEERING SUPPORT	35	42	F5H018	DUAL STEERING CONNECTOR	59	-
F511708-1	COVER, CARBURETOR	17	32	F5H019	ANTI-CORROSION KIT	59	-
F522056	BEARING	41	77	F5H021	EXTENSION CABLE	59	-
F523031	GASKET, WATER PUMP . . .	39	57	F5H025	ANTI-CORROSION SACRIFICIAL ANODE	59	-
F523031	GASKET, WATER PUMP . . .	41	-	F5H026-1	FUEL TANK (ACCESSORY ITEM)	49	2
F523057	BEARING, DRIVESHAFT LOWER	39	66	F5H028	SENDING UNIT	60	-
F523065-1	IMPELLER	41	-	F5H030	SWITCH KIT - RUNNING LIGHTS	60	-
F523065-1	WATER PUMP IMPELLER . .	39	59	F5H031	SWITCH KIT - SPOT LIGHT .	60	-
F523099-1	SPACER, PROPELLER	37	19	F5H032	SWITCH KIT - WIPER	60	-
F523116-1	EXHAUST SNOUT	39	38	F5H034	SWITCH KIT - BILGE PUMP .	60	-
F523133-2	MOTOR LEG (1258F6A,B, 1258FC6A,B, 1258X6A,B, 1258XC6A,B)	33	14	F5H035	SWITCH KIT - HORN	60	-
F523146-1	SEAL, CRANKSHAFT LOWER	31	13	F5H036	SWITCH KIT - TACHOMETER TRANSFER	60	-
F523146-1	SEAL, CRANKSHAFT UPPER	31	19	F5H037	CIGAR LIGHTER	59	-
F523188	NUT, BEVEL PINION RETAINING	39	34	F5H038	IGNITION SWITCH MOUNTING KIT (ACCESSORY ITEM)	7	22
F523244	INLET WATERLINE	37	5	F5H038	IGNITION SWITCH MOUNTING KIT	11	22
F523273	STEERING BALL STUD	33	22	F5H038	SWITCH KIT - IGNITION SWITCH	60	-
F523274	GREASE FITTING	33	39	F5H039	SWITCH KIT - INSTRUMENT LIGHT	60	-
F523280	NUT, STEERING SUPPORT TUBE	35	48	F5H041	BATTERY TERMINAL KIT . .	59	-
F523300-1	SPRING	33	18	F5H041	BATTERY TERMINAL KIT (ACCESSORY ITEM)	9	48
F523411	RETAINING RING	37	23	F5H041	BATTERY TERMINAL KIT (ACCESSORY ITEM)	13	48
F523451	SPACER, REED STOP	23	50	F5H043	BUZZER, HEAT INDICATOR	13	50
F523498	DRIVE KEY, WATER PUMP	39	68	F5H043	BUZZER, HEAT INDICATOR (ACCESSORY ITEM)	9	50
F523498	KEY	41	-	F5H043	OVERHEAT BUZZER	59	-
F523555	GEAR HOUSING COVER SEAL	41	-	F5H044	TILT STOP KIT	59	-
F523555	SEAL, O-RING - GEAR HOUSING COVER	39	49	F5H059	US MARINE OUTBOARD MULTI-PURPOSE GREASE	61	-
F523562	PLATE, WATER PUMP	41	-				
F523562	WATER PUMP BACK PLATE	39	58				
F523705	GEAR SHIFT ROD, LOWER .	39	46				
F523813	BEARING CUP	39	30				
F523899	GROMMET WATERLINE . . .	37	4				
F523930	RETAINER	33	21				

PARTS INDEX

Part Number	Description	Pg.	Ref. No.	Part Number	Description	Pg.	Ref. No.
F5H060	US MARINE OUTBOARD			F616744	WIRING HARNESS	7	14
	GREASE GUN	61	-	F616955	STARTER COMPLETE.	15	14
F5H068	RFI SUPPRESSION KIT	59	-	F629449	THERMOSWITCH	11	6
F5H070	ELECTRIC CONTROL			F630843	ELECTRIC CONTROL		
	CABLE, 21 FEET	11	35		CABLE, 22 FEET -		
F5H070	ELECTRIC CONTROL				BAYLINER	11	-
	CABLE, 21 FEET			F630843	ELECTRICAL CABLE, 22		
	(ACCESSORY ITEM)	7	35		FEET - BAYLINER	7	-
F5H070	REMOTE ELECTRIC CABLE	60	-	F650450	RECTIFIER	7	9
F5H075	WIRING HARNESS -			F650450	RECTIFIER	11	9
	IGNITION SWITCH (24")	60	-	F653095	ALTERNATOR STATOR	13	59
F5H076	SWITCH EXTENSION CABLE			F653301	MODULE	13	45
	- 5 FT.	60	-	F653497	TERMINAL BLOCK	13	72
F5H077	IGNITION KEY SWITCH	60	-	F653744	WIRING HARNESS	11	14
F5H078	IGNITION KEY SWITCH	60	-	F654029	TRIGGER ASSY.	13	58
F5H078	SWITCH, IGNITION LONG			F654396	DECAL, ENGINE COVER		
	BARREL W/ KEYS AND				STARBOARD	5	-
	SCREWS	7	16	F654397	DECAL, ENGINE COVER		
F5H078	SWITCH, IGNITION LONG				PORT	5	37
	BARREL W/KEYS AND			F654398	DECAL, 4 CYL. WIRING	13	71
	SCREWS	11	16	F654497	TERMINAL BLOCK	13	73
F5H079	SINGLE REMOTE CONTROL			F654528	DECAL, REAR	3	36
	BOX	59	-	F654892	DECAL, FRONT	5	40
F5H080	TWIN REMOTE CONTROL			F654976	CONNECTOR, THROTTLE		
	BOX	59	-		CABLE (BAYLINER		
F5H081	BATTERY CABLE	59	-		MODELS)	43	-
F5H094	STEERING LINK KIT	59	-	F664061	CARBURETOR COMPLETE		
F5H108	STEERING CONNECTOR	59	-		(TOP)	17	-
F5H115	TRAILERING TILT LOCK	60	-	F7004	STOP NUT, 3/8 - 16	27	49
F5H120	REMOTE CONTROL BACK			F7008	ELASTIC STOP NUT	25	32
	PLATE	59	-	F7008	STOP NUT, 1/4 - 20	21	25
F5H130-1	REMOTE CONTROL -			F7009	LOCK NUT, #10 - 24	29	107
	SURFACE MOUNT	59	-	F7012	STOP NUT	33	25
F5H132	REMOTE CONTROL HANDLE			F74305	GEAR HOUSING COVER		
	TRIM SWITCH	59	-		SEAL	41	-
F5H146	HYDRAULIC TILT	60	-	F74305	SEAL, DRIVESHAFT		
F5H150	POWER TRIM	60	-		BEARING CAGE	39	51
F5H151	SHOCK ABSORBER KIT	59	-	F762	REMOTE ELECTRIC CABLE	60	-
F5H154	SPEEDOMETER FLUSH			F8003	PLAIN WASHER	25	38
	MOUNT	60	-	F8011	PLAIN WASHER	9	39
F5H155	SPEEDOMETER FLUSH			F8011	PLAIN WASHER	13	39
	MOUNT	60	-	F8028	PLAIN WASHER	9	43
F5H156	TEMPERATURE GAUGE			F8028	PLAIN WASHER	13	43
	FLUSH MOUNT	60	-	F8038	PLAIN WASHER	25	4
F5H157	VOLTMETER - FLUSH			F8038	PLAIN WASHER	33	17
	MOUNT	59	-	F8056	SPRING LOCKWASHER	7	7
F5H159	HOURMETER	60	-	F8056	SPRING LOCKWASHER	11	7
F5H161	POWER TRIM INDICATOR	59	-	F8058	INTERNAL TOOTH		
F5H167	TACHOMETER FLUSH				LOCKWASHER	21	24
	MOUNT	60	-	F8061	INTERNAL TOOTH		
F5H173	FLUSHING ADAPTER	59	-		LOCKWASHER	43	12
F5H179	TRAILERING BRACKET	35	72	F8077	WASHER	41	-
F5H179	TRAILERING TILT LOCK	60	-	F8077	WASHER, GEAR HOUSING		
F5H181	FORCE WHITE ENAMEL	61	-		PLUG	39	43
F5H182	FORCE WHITE ENAMEL	61	-	F8080	SPRING LOCKWASHER	33	20
F615029	TRIGGER ASSY.	9	58	F8083	LOCKWASHER	41	76
F615358-2	BRACKET (C.D. - COIL)	7	30	F8083	SPRING LOCKWASHER	3	19
F615475	IGNITION COIL	9	46	F8083	SPRING LOCKWASHER	9	63
F615475	IGNITION COIL	13	46	F8083	SPRING LOCKWASHER	13	63
F616675	STARTER BRACKET LOWER	15	11	F8083	SPRING LOCKWASHER	15	13

PARTS INDEX

Part Number	Description	Pg.	Ref. No.	Part Number	Description	Pg.	Ref. No.
F8083	SPRING LOCKWASHER	33	2	F85161-1	REED STOP	21	39
F8083	SPRING LOCKWASHER	39	54	F85211	STUD	27	47
F8083	SPRING LOCKWASHER	41	-	F85258	INSERT	33	4
F8088	PLAIN WASHER	7	2	F85279-2	CYLINDER EXHAUST UPPER GASKET	29	-
F8088	PLAIN WASHER	11	2	F85279-2	GASKET, CYLINDER EXHAUST UPPER	27	66
F8088	PLAIN WASHER	17	12	F85314-1	FUEL FITTING	17	7
F8090	PLAIN WASHER	7	28	F85317-3	SOLENOID CLAMP	21	21
F8090	PLAIN WASHER	11	28	F85372	PIN, GEAR SHIFT ROD, LOWER	39	48
F8094	PLAIN WASHER	3	23	F8538	SPRING PIN	33	32
F8095	PLAIN WASHER	27	48	F85380	SPRING	33	6
F8096	SPRING LOCKWASHER	3	16	F85410	SNAP RING	31	8
F8096	SPRING LOCKWASHER	3	31	F85445	CONTROL ROD	25	20
F8096	SPRING LOCKWASHER	7	24	F85498-1	FLYWHEEL KEY	31	16
F8096	SPRING LOCKWASHER	11	24	F85502	THROTTLE LINK	25	26
F8096	SPRING LOCKWASHER	29	105	F85509-1	LINK, CHOKE	17	2
F8096	SPRING LOCKWASHER	35	59	F85571	BEARING CAGE W/ROLLER	31	10
F8096	SPRING LOCKWASHER	39	40	F85606	KINGPIN (1258F6A,B, 1258FC6A,B, 1258X6A,B, 1258XC6A,B)	35	56
F8104	PLAIN WASHER	25	10	F85610	BEARING	27	56
F8124	EXTERNAL TOOTH LOCKWASHER	7	31	F85615-1	GEAR SHIFT ROD UPPER	35	62
F8124	EXTERNAL TOOTH LOCKWASHER	11	31	F8563	DOWEL PIN	25	14
F84011	WASHER	35	46	F85634-2	CONNECTING ROD SCREW	31	14
F84074	CLAMP SCREW FOOT	33	30	F85660-1	EXHAUST TUBE	33	1
F84286-1	FRICTION WASHER	35	45	F85704	COUPLER, GEAR SHIFT ROD	35	60
F84305	PROPELLER SHAFT SPOOL SEAL	41	-	F85762	BY-PASS COVER GASKET	29	-
F84305	SEAL PROPELLER SHAFT BEARING SPOOL	37	12	F85762	BY-PASS VALVE COVER GASKET	29	100
F84307-1	DRIVE SHAFT SEAL	41	-	F85772	CLAMP	33	7
F84314-2	ELBOW	17	9	F85779-1	BAFFLE, AIR INTAKE	35	52
F84314-2	ELBOW	21	6	F85859	STUD	25	15
F84314-2	ELBOW	27	46	F85906	CARBURETOR GASKET	29	-
F84342	SEAL, INLET WATERLINE UPPER	37	3	F85908-1	LEAD WIRE	15	9
F84449	NEUTRAL INTERLOCK SWITCH	7	3	F85916-1	BY-PASS VALVE	29	102
F84449	NEUTRAL INTERLOCK SWITCH	11	3	F85965	SHOCK MOUNT UPPER	35	63
F84472-5	CYLINDER DRAIN COVER GASKET	29	-	F89758	FUEL PUMP AIR HOSE - TOP	21	7
F84472-5	GASKET, CYLINDER DRAIN COVER	25	36	F9018	CAP	35	49
F84504	GROMMET (THERMOSTAT)	29	89	F9052	PLUG	33	40
F84521-2	CLUTCH	37	27	F90619-2	YOKE	41	73
F84748-3	CYLINDER DRAIN REED PLATE GASKET	29	-	F90807	RETAINING RING	17	34
F84748-3	GASKET, CYL. DRAIN REED PLATE	27	44	F9095	SHIM, DRIVESHAFT BEARING UPPER .005 - SILVER	39	-
F84792	GASKET, CENTER FUEL PUMP VALVE	21	11	F9097	SHIM, DRIVESHAFT BEARING UPPER .010 - BLACK	39	-
F84871-1	PIN, GEAR SHIFT	37	25	F9106	SHIM, DRIVESHAFT BEARING UPPER .003 - BRASS	39	67
F85017	PISTON PIN	31	4	F91446-1	CIRCUIT BREAKER BRACKET	9	41
F85033	SWIVEL, CHOKE ROD (BOTTOM CARBURETOR) (NOT SHOWN)	17	-	F91446-1	CIRCUIT BREAKER BRACKET	13	41
F85037-1	STERN BRACKET PIVOT BOLT	35	50	F92759	THROTTLE ROLLER	19	46
F85117	BRACKET, WATERLINE	37	2	F93811	SCREEN	27	43
F85130	BOOT IDLE EXHAUST	33	5				

PARTS INDEX

Part Number	Description	Pg.	Ref. No.	Part Number	Description	Pg.	Ref. No.
F93920	REED STOP	25	39	FA599752	FUEL LINE COMPLETE	47	-
F97772	CLAMP	17	6	FA607689	BEARING TOWERSHAFT	29	108
F97772	FUEL LINE CLAMP	47	1	FA609853	DECAL, WARNING	9	67
F97772	FUEL LINE CLAMP	49	11	FA609853	DECAL, WARNING	13	67
F98273	ROD END CONNECTOR			FA615095	ALTERNATOR STATOR	9	59
	STUD	27	74	FA615097	FLYWHEEL	9	61
FA17559	LIFT CYLINDER COMPLETE	51	40	FA615097	FLYWHEEL	13	61
FA17561-1	O-RING	53	44	FA616497	TERMINAL BLOCK	7	13
FA178233	THROTTLE TIE BAR W/			FA616497	TERMINAL BLOCK	11	13
	SWIVEL	17	35	FA630374	DECAL, SWIRL	5	38
FA178962	SHOCK ABSORBER			FA631518	CYLINDER HEAD	27	77
	W/BUSHING - 178344	33	34	FA653391	DECAL, SUPPORT PLATE	5	39
FA27232	EMERGENCY STARTER			FA654924	CHOKE SOLENOID W/		
	ROPE (NOT SHOWN)	7	-		CLAMP	11	36
FA27232	EMERGENCY STARTER			FA654924	CHOKE SOLENOID		
	ROPE (NOT SHOWN)	11	-		W/CLAMP	7	36
FA335260	PISTON RING SET (2 PER			FA84621-1	COUPLING, GEAR SHIFT		
	SET) STANDARD	31	1		ARM W/BUSHING	39	45
FA411222	TRANSFER PORT COVER	27	51	FA84754-1	FUEL LINE SHORT		
FA438431	FUEL PUMP BODY	21	12		W/FERRULES	47	5
FA439493	BRACKET, TERMINAL			FA84754-1	FUEL LINE SHORT		
	BLOCK	7	10		W/FERRULES	49	8
FA439493	BRACKET, TERMINAL			FA85135-4	LEG COVER FRONT	35	57
	BLOCK	11	10	FA85193	TIE BAR END W/SWIVEL	17	38
FA439746	FUEL PUMP COVER			FA85355-1	WASHER (SET OF 2 SHOCK		
	W/PLUG	21	1		MOUNT WASHERS	35	66
FA440157	CARBURETOR ADAPTER,			FA85655-1	CRANKSHAFT MAIN		
	UPPER	21	-		BEARING RACE	31	9
FA440167	CARBURETOR ADAPTER,			FC529398	DECAL, WIRING	29	93
	LOWER	21	33	FG1019	GASKET SET	29	103
FA449015	PISTON	51	29	FK10023	GASKET SET.	17	-
FA449149	COVER W/SEALS AND			FK10103	REPAIR PARTS KIT.	17	1
	RETAINER	51	27	FK10107	INLET NEEDLE AND SEAT	17	19
FA480179	TRIM, TOP	3	1	FK1063-2	SEAL KIT	41	74
FA480269	TILT HANDLE	3	3	FK1069	WATER PUMP KIT	41	75
FA480876	GEAR SHIFT ARM	27	58	FK1123	SPARKIE KIT	9	54
FA481469	ENGINE COVER LATCH			FK1123	SPARKIE KIT	13	54
	HANDLE W/SHAFT	3	8	FK17156	BAG ASSEMBLY (NOT		
FA481743	BRACKET, ROLLER LATCH				SHOWN).	45	-
	W/ROLLER	3	30	FK405020	SWIVEL W/CLAMP,		
FA500019	KINGPIN (1251F6A,B,				SHOULDER SCREW AND		
	1251FC6A,B, 1251X6A,B,				NUT	25	30
	1251XC6A,B,)	33	-	FK460917	STARTER RELAY	7	23
FA522180	TRIM, REAR	3	4	FK460917	STARTER RELAY	11	23
FA523014	CRANKSHAFT LOWER MAIN			FK85228-1	BEARING CAGE W/ROLLER	31	7
	BEARING	31	12	FO10588	BODY CHANNEL CUP PLUG	19	48
FA523054	GEAR HOUSING			FO11103	IDLE MIXTURE SCREW		
	W/DRIVESHAFT BEARING				SPRING	17	28
	LOWER	39	42	FO13193	MAIN FUEL JET OPT. .088		
FA523109	PLUG, GEAR HOUSING	39	44		4500 - 6000 FT.	19	-
FA523485	ANTI-CORROSION	37	21	FO13554	FLOAT	17	25
FA523735	SEAL, INLET WATERLINE			FO13944	FLOAT LEVER PIN	17	24
	LOWER W/LITERATURE	39	65	FO13949	MAIN FUEL JET OPT. .086		
FA528018	CRANKSHAFT	31	15		6000 FT. & UP	19	-
FA551611	HANDLE W/SWITCH AND			FO14166	IDLE MIXTURE SCREW	17	29
	CABLE	45	43	FO14190	MAIN FUEL JET OPT. .092		
FA552888	TRIM, FRONT	3	34		1500 - 3000 FT.	19	-
FA552944	ENGINE COVER	3	6	FO14191	MAIN FUEL JET STD.. 0937		
FA58976-1	CONNECTOR, THROTTLE				SEA LEVEL - 1500 FT.	19	40
	CABLE	43	1				

PARTS INDEX

Part Number	Description	Pg.	Ref. No.	Part Number	Description	Pg.	Ref. No.
FO15623	FUEL BOWL GASKET	17	26	FT2996	RING COMPRESSOR	55	-
FO16128	BODY CHANNEL WELCH PLUG	19	49	FT2998	TORQUE WRENCH (0 - 100 LBS./FT.)	55	-
FO16130	FUEL BOWL	17	22	FT2999	TORQUE WRENCH (0 - 600 LBS./FT.)	55	-
FO16132	FUEL BOWL RETAINING SCREW	17	20	FT3012	SEAL INSTALLER	56	-
FO16133	MAIN NOZZLE	17	23	FT7848	TORQUE ADAPTER	56	-
FO16142	THROTTLE SHUTTER	19	50	FT8900	HOSE CLAMP PLIERS	55	-
FO16143	THROTTLE SHAFT RETURN SPRING	19	41	FT8901	INDICATOR HOLDER	56	-
FO16301	CHOKE SHAFT AND LEVER	17	17	FT8902	DIAL INDICATOR	56	-
FO16620	E-RING	17	10	FT8903	SEAL INSTALLER	55	-
FO16993	BY PASS TUBE	19	52	FT8907	DRIVER HANDLE	55	-
FO17719	CHOKE, SHUTTER	17	30	FT8907	DRIVER HANDLE	56	-
FO17884	THROTTLE SHAFT AND LEVER	19	42	FT8914	SEAL REMOVER	55	-
FO17885	CHOKE SHAFT RETURN SPRING	17	18	FT8918	BEARING GUIDE SET	56	-
FO18010	MAIN FUEL JET STD. .101 SEA LEVEL - 1500 FT.	19	-	FT8919	SPRING PIN PUNCH	56	-
FO1974	SCREW	19	44	FT8925	SEAL INSTALLER	55	-
FO5323	FUEL BOWL RETAINING SCREW GASKET	17	21	FT8925	SEAL INSTALLER	56	-
FO8942	CHOKE AND THROTTLE SHUTTER SCREW	17	31	FT8926	RING EXPANDER	55	-
FO9678	CLIP, CHOKE SHAFT	17	39	FT8930-1	FEELER GAUGE SET	56	-
FO992	LOCKWASHER	19	43	FT8933	LIFTING HOOK	55	-
FPS501	PROPELLER (1251X6A,B - 1251XC6A,B)	37	18	FT8935	SEALANT PRIMER LOC QUIC T	58	-
FPS625	PROPELLER (1258X6A,B - 1258XC6A,B)	37	-	FT8936-1	SEALANT - 2 CC LOCTITE RETAINING COMPOUND #75	58	-
FS409752	FUEL LINE COMPLETE	49	-	FT8948-1	PULLER	54	-
FS664358	BRACKET (C.D.-COIL)	11	30	FT8948-1	PULLER	56	-
FS85019	KINGPIN (1251F6A,B, 1251FC6A,B, 1251X6A,B, 1251XC6A,B)	33	37	FT8950	LEAKAGE TESTER	57	-
FS85872-1	BRACKET	27	72	FT8955	SEALANT - 5 OZ. EC-750 INDUSTRIAL SEALANT	58	-
FSA335260	PISTON RINGS (2 PER SET) .010 OVERSIZE	31	-	FT8957	SEAL INSTALLER	56	-
FT1082	SNAP RING PLIER	55	-	FT8969	LUBRICANT - 7 OZ. LPS-1 LUBRICANT	58	-
FT11204	BEARING CUP INSTALLER	56	-	FT8978	TIMING LIGHT	54	-
FT11205	BEARING INSTALLER/REMOVER	56	-	FT8983	SEALANT - 3 OZ. RTV SEALANT FROM IN PLACE GASKETS	58	-
FT11207	BEARING CUP REMOVER	56	-	FT8985	SEAL INSTALLER	56	-
FT11209	BEARING GUIDE SET	56	-	FT8997	SHIM TOOL	56	-
FT11259	MULTIMETER	57	-	FTA2937-1	TIMING TOOL	54	-
FT11260	SPARK TESTER	57	-	FTK8999	TEST WHEEL	57	-
FT2938-1	CONTINUITY TESTER	57	-	22-818103--1	ELBOW, CYLINDER DRAIN LOWER	25	34
FT2951	CIRCUIT TRACER	57	-	32-817738A1	FUEL LINE	47	2
FT2953	SOCKET	55	-	32-817738A1	FUEL LINE LONG	49	10
FT2961	LUBRICANT - RYKON GREASE #2EP	58	-	33-818007--1	SPARK PLUG (CHAMPION UL18V) - USA	29	83
FT2962-2	SEALANT - 50 CC LOCTITE H, NON-HARDENING GRADE	58	-	39-818110A1	PISTON RINGS (2 PER SET) .030 OVERSIZE	31	-
FT2963-2	SEALANT - 2 OZ. LOCTITE 271	58	-	43-817854A2	BEVEL PINION GEAR	39	35
FT2987-1	LUBRICANT - ANTI-SEIZE	58	-	43-818068A2	BEVEL GEAR FRONT W/BEARING	39	29
FT2990	PISTON PIN TOOL	55	-	44-817962A2	PROPELLER SHAFT	37	24
FT2991	CARBON BRUSH	55	-	45-817961A6	DRIVESHAFT W/BEARING	41	-
				45-817967A6	DRIVESHAFT W/BEARING	41	69
				46-817853A1	WATER PUMP	41	-
				46-817853A1	WATER PUMP BODY	39	60
				87-817939A1	THERMOSWITCH	7	6

PARTS INDEX

Part Number	Description	Pg.	Ref. No.	Part Number	Description	Pg.	Ref. No.
600-818052A4	CONNECTING ROD	31	6				
700-817988A2	PISTON .010 OVERSIZE . . .	31	-				
700-818111A2	PISTON .030 OVERSIZE . . .	31	-				
700-F372015-3	PISTON - STANDARD	31	2				
800-817864A6	CYLINDER W/CRANKSHAFT COVER	25	1				
800-818154A6	SHORT BLOCK	25	-				
1400-817958A6	STERN BRACKET	33	24				
1600-819196A3	GEAR HOUSING COMPLETE.	41	-				
1600-819197A3	GEAR HOUSING COMPLETE	41	-				
F596-	US MARINE OUTBOARD OIL	60	-				