



PARTS CATALOG

FORCE 1987 125 H.P.

SERIAL NUMBER

125 H.P. (1987)	1251F7A
125 H.P. (1987)	1251X7A
125 H.P. (1987)	1253X7A
125 H.P. (1987)	1254X7A
125 H.P. (1987)	1258F7A
125 H.P. (1987)	1258V7A
125 H.P. (1987)	1285X7A
125 H.P. (1987)	C1251F7A
125 H.P. (1987)	C1258F7A

TABLE OF CONTENTS:

ACCESSORIES	53
ADAPTER AND REED PLATE	16
CARBURETOR	12
CRANKSHAFT AND PISTON	26
ELECTRICAL COMPONENTS	6
ENGINE COVER AND SUPPORT PLATE	2
FUEL PUMP	18
FUEL TANK AND LINE	42
GEAR HOUSING	32
MOTOR LEG	28
PARTS INDEX	56
POWER HEAD	20
POWER TRIM UNIT	44
REMOTE CONTROL	38
SPECIAL TOOLS - GEAR HOUSING	50
SPECIAL TOOLS - LUBRICANTS AND SEALANTS	52
SPECIAL TOOLS - POWER HEAD	49
SPECIAL TOOLS - TEST EQUIPMENT	51
SPECIAL TOOLS - TUNE-UP	48
STARTER	10

NOTE: Indented description indicate that these parts are included in preceeding assembly.

AR = As Required

NSS = Not Sold Separate

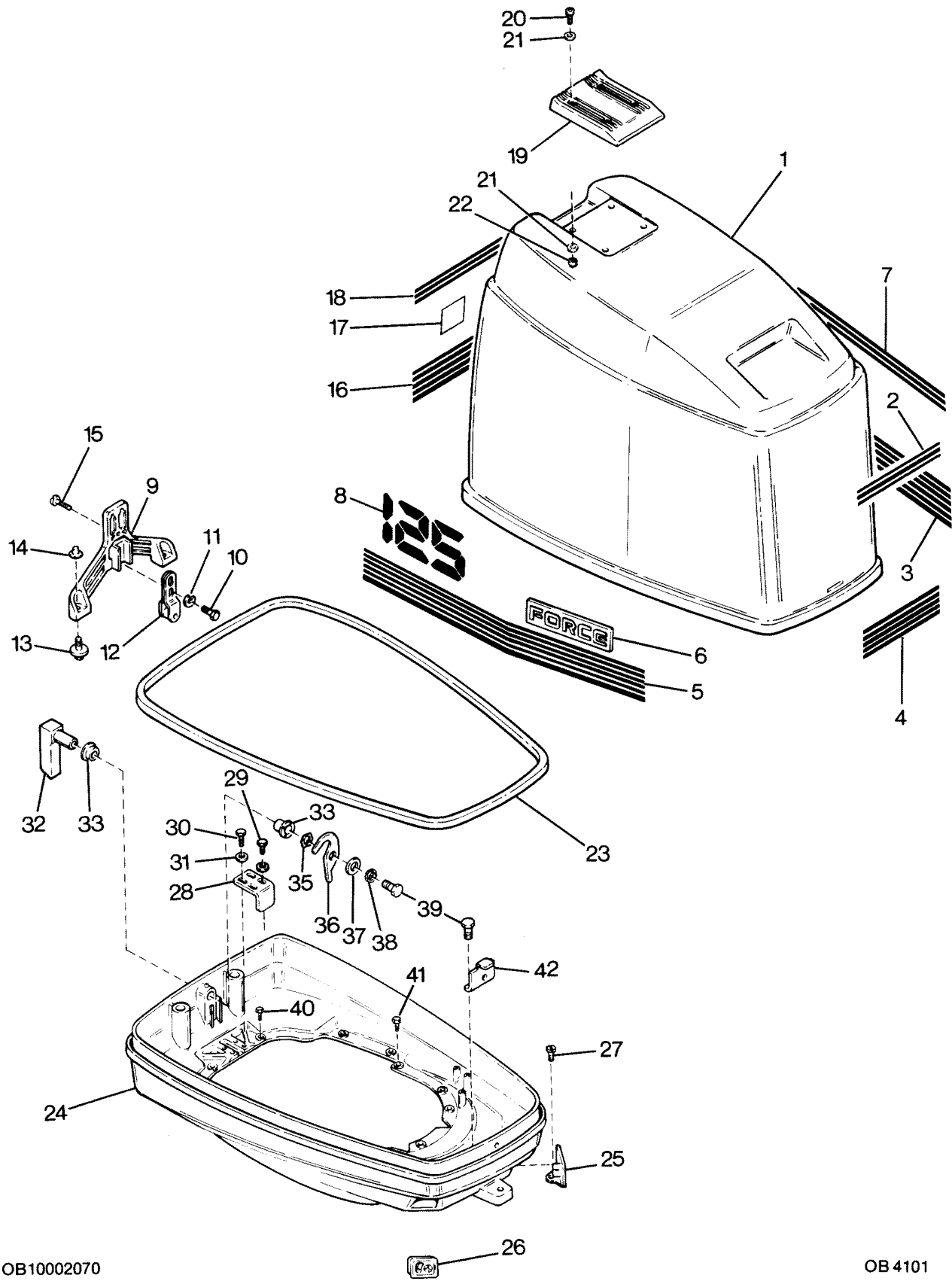
OPT = Optional

NS = Not Shown

THESE PARTS BOOKS/FICHE CARD ARE COPYRIGHTED AND MAY NOT BE DISTRIBUTED OR REPRODUCED IN ANY OTHER FORMAT BY ANYONE OTHER THAN MERCURY MARINE WITHOUT THE PRIOR WRITTEN CONSENT OF MERCURY MARINE.

THIS PAGE INTENTIONALLY LEFT BLANK

ENGINE COVER AND SUPPORT PLATE



OB10002070

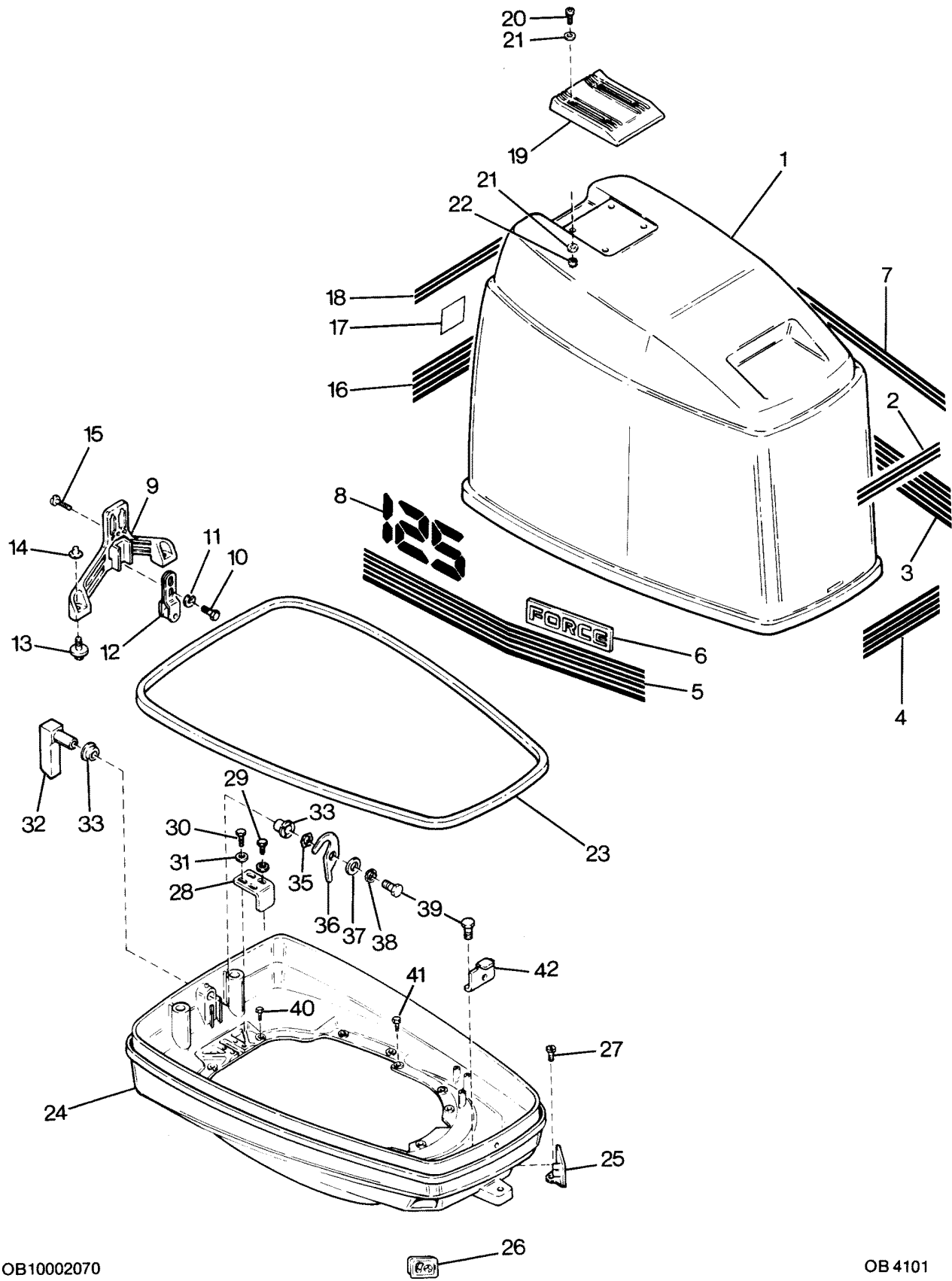
OB 4101

ENGINE COVER AND SUPPORT PLATE

REF. NO.	PART NO.	SYM.	QTY.	DESCRIPTION
1	FS664712		1	ENGINE COVER (WITHOUT PAINT, DECALS OR HARDWARE)
-	F2C664712		0	ENGINE COVER COMPLETE
2	F663894		1	DECAL, TOP - FRONT
3	F663397		1	DECAL, BOTTOM - PORT
4	F663892		1	DECAL, BOTTOM - FRONT
5	F663396		1	DECAL, BOTTOM - STARBOARD
6	F663366		2	MEDALLION - FORCE
7	F663373		2	DECAL, TOP - SIDE
8	F664386		2	DECAL, NUMBER 125
9	F663774-1		1	BRACKET, ENGINE COVER LATCH
10	F1857		2	HEX CAP SCREW, 5/16 - 18 X 5/8
11	F8096		2	SPRING LOCKWASHER
12	FA481743		1	BRACKET, ROLLER LATCH W/ROLLER
13	F481434		2	GUIDE, ENGINE COVER
14	F2088		2	FASTENER
15	F1493		3	PAN HD SCREW 5/16 - 18 X 5/8 SS
16	F663528		1	DECAL, BOTTOM - REAR
17	F665387		1	DECAL, LOGO (US MARINE)
18	F663585		1	DECAL, TOP - REAR
19	F663269		1	HANDLE, TILT
20	F2143		4	HEX SOC. HD SCREW, 1/4 - 20 X 1 S.S.
21	F2012		8	WASHER
22	F7024		4	STOP NUT, 1/4 - 20
-	F663984		1	BLANKET, TOP (NOT SHOWN)
-	F664985		2	BLANKET, SIDE (NOT SHOWN)
23	F663756		1	PACKING
24	F663038		1	SUPPORT PLATE
25	F549189		1	BUSHING, ELECTRIC CABLE
26	F660189		1	BUSHING, CABLE ENTRY
27	F1733		3	PAN HD SCREW, 10 - 24 X 9/16
28	F335654-1		1	DEFLECTION STOP
29	F1858		2	HEX CAP SCREW, 5/16 - 18 X 1
30	F1857		2	HEX CAP SCREW, 5/16 - 18 X 5/8
31	F8096		4	SPRING LOCKWASHER
32	FA663469		1	ENGINE COVER LATCH HANDLE W/SHAFT
33	F286818		2	BEARING, LATCH SHAFT
35	F2047		1	WAVE WASHER
36	F481777		1	CAM, LATCH SHAFT
37	F8094		1	WASHER

CONTINUED ON NEXT PAGE ➡

ENGINE COVER AND SUPPORT PLATE



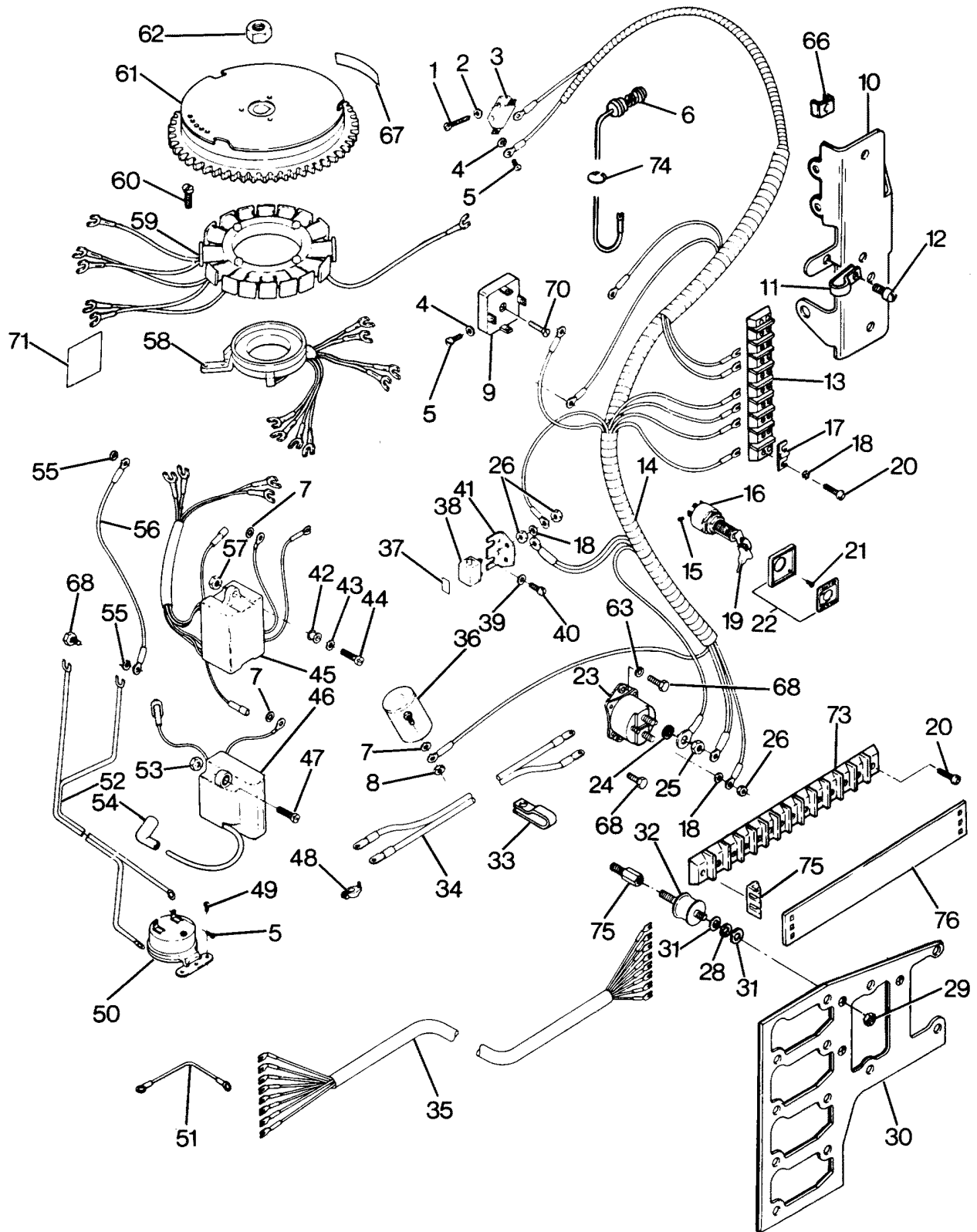
OB10002070

OB 4101

ENGINE COVER AND SUPPORT PLATE

REF. NO.	PART NO.	SYM.	QTY.	DESCRIPTION
38	F8083		1	LOCKWASHER
39	F1854		3	HEX CAP SCREW 1/4 - 20 X 5/8
40	F1203		6	HEX CAP SCREW 1/4 - 20 X 7/8
41	F1238		7	HEX CAP SCREW 1/4 - 20 X 3/4
42	F663480		1	RETAINER

ELECTRICAL COMPONENTS

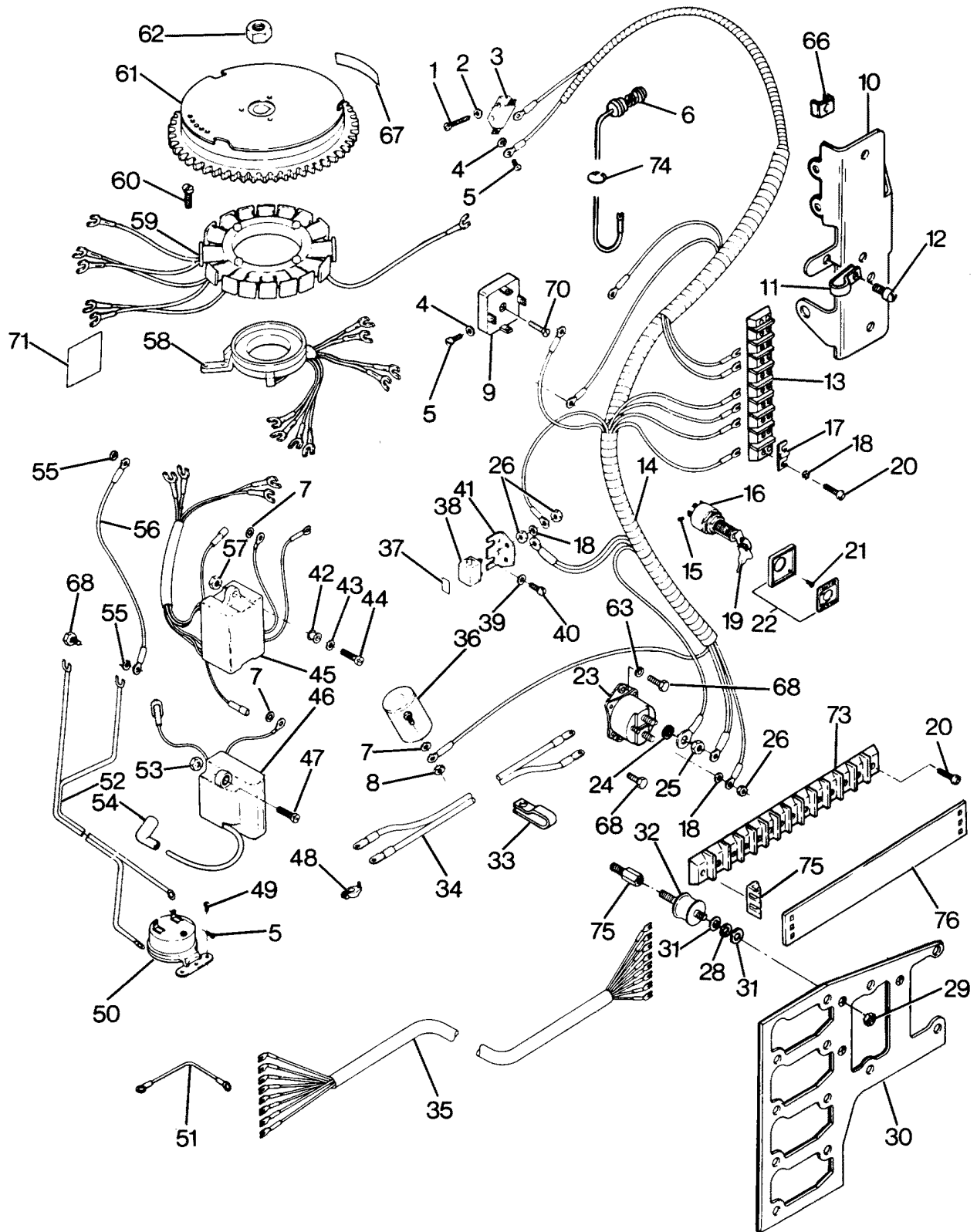


ELECTRICAL COMPONENTS

REF. NO.	PART NO.	SYM.	QTY.	DESCRIPTION
1	F2016		2	SLOTTED FILL HD SCREW, 6 - 32 X 7/8
2	F8088		2	PLAIN WASHER
3	F84449		1	NEUTRAL INTERLOCK SWITCH
4	F1704		6	INTERNAL TOOTH LOCKWASHER
5	F1645		8	RD HD SCREW, 6 - 32 X 1/4
6	F629449-1		1	THERMOSWITCH
7	F8056		2	SPRING LOCKWASHER
8	F1647		2	HEX NUT, 8 - 32
9	F650450		1	RECTIFIER WILLUS. 4, 5, 70 AND LITERATURE
10	FA439493		1	BRACKET, TERMINAL BLOCK WILLUS. 12 & 66
11	F289446-1		1	CLAMP, REMOTE ELEC. CABLE TO BRACKET
12	F1734		2	FILL HD. SCREW, 1/4 - 20 X 1/2
13	FA616497		1	TERMINAL BLOCK WILLUS. 17 & 20
14	F653744		1	WIRING HARNESS
15	F1280		6	SLOTTED PAN HD SCREW, 8 - 32 X 1/4
16	F5H078		1	SWITCH, IGNITION , LONG BARREL W/KEYS AND SCREWS (ACCESSORY ITEM)
17	F307317		7	CLIP, TERMINAL BLOCK GROUND
18	F1975		6	LOCKWASHER
19	817782--1		0	KEY IGNITION - NO LETTER OR STAMPED A
-	817883--1		0	KEY IGNITION - STAMPED B
-	817891--1		0	KEY IGNITION - STAMPED C
-	817928--1		0	KEY IGNITION - STAMPED D
-	817929--1		0	KEY IGNITION - STAMPED E
-	FA27232		1	EMERGENCY STARTER ROPE (NOT SHOWN)
20	F1648		2	PAN HD SCREW, 10 - 24 X 3/4
21	F1934		4	FLAT HD SCREW, 6 X 1/2
22	F5H038		1	IGNITION SWITCH MOUNTING KIT
23	FK460917		1	STARTER RELAY WILLUS. 63, 68 AND LITERATURE
24	F8096		2	SPRING LOCKWASHER
25	F1515		2	HEX NUT, S.S., 5/16 - 18
26	F1513		6	HEX NUT, 10 - 32
28	F8090		3	PLAIN WASHER
29	F1515		3	HEX NUT, 5/16 - 18
30	FS664358		1	BRACKET (C.D. - COIL)
31	F8124		3	PLAIN WASHER
32	F215962		3	MOUNT (SHOCK - C.D. UNIT)
33	F407446		1	CLAMP
34	F381896-4		1	BATTERY CABLE
35	F5H070		1	ELECTRIC CONTROL CABLE, 21 FEET
-	F630843		1	ELECTRIC CONTROL CABLE, 22 FEET - BAYLINER
36	FA654924		1	CHOKE SOLENOID W/CLAMP
37	F510374-1		1	DECAL, CIRCUIT BREAKER

CONTINUED ON NEXT PAGE ➡

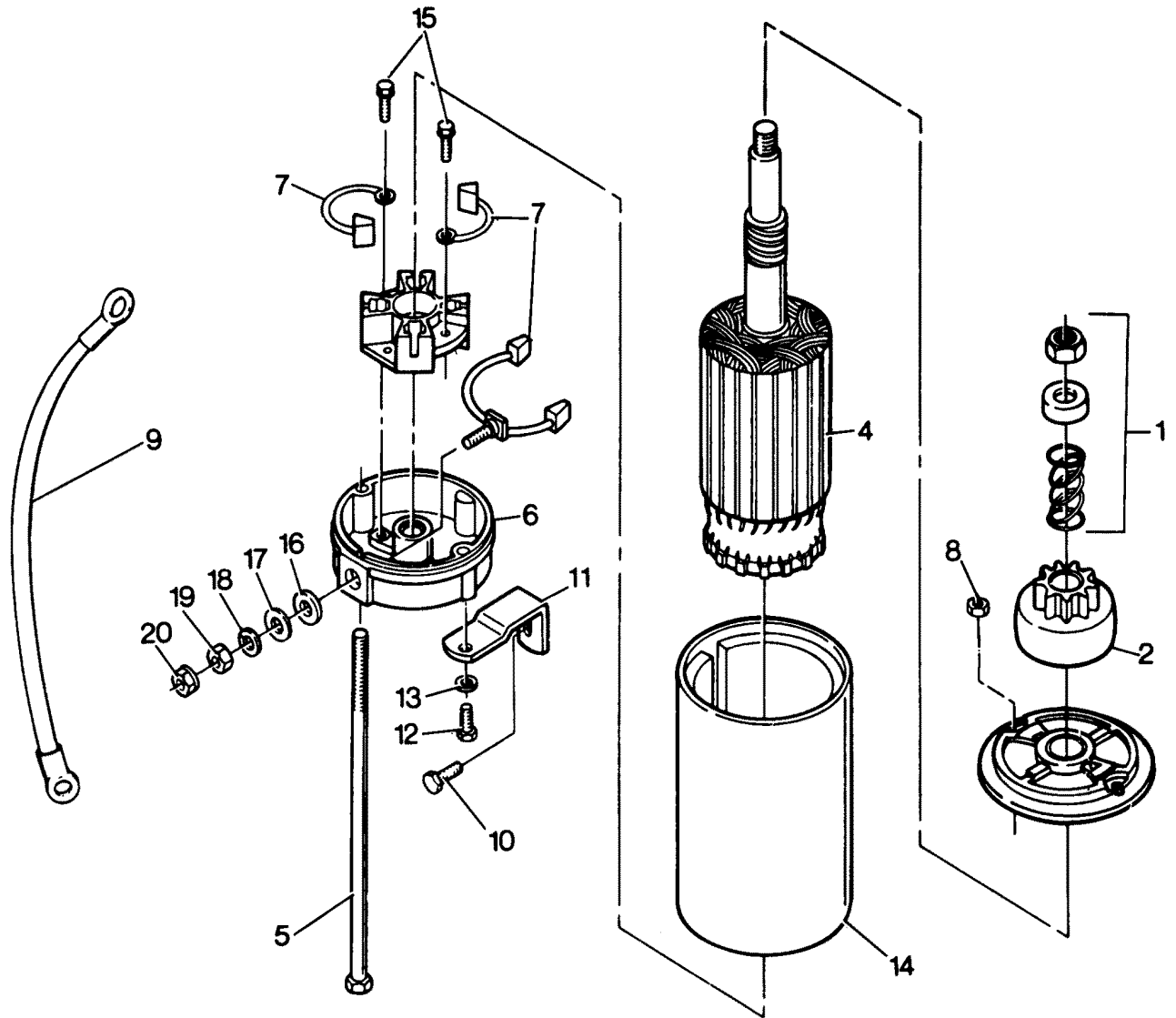
ELECTRICAL COMPONENTS



ELECTRICAL COMPONENTS

REF. NO.	PART NO.	SYM.	QTY.	DESCRIPTION
38	F510460		1	CIRCUIT BREAKER
39	F8011		2	PLAIN WASHER
40	F1760		2	SLOTTED PAN HD SCREW, 10 - 24 X 3/8
41	F91446-1		1	CIRCUIT BREAKER BRACKET
42	F475504		4	GROMMET
43	F8028		4	PLAIN WASHER
44	F2008		4	HEX HD. M. SC., 1/4 - 20 X 7/8
45	F653301-1		2	MODULE
46	F615475		4	IGNITION COIL
47	F2008		6	SLOTTED PAN HD SCREW 1/4 - 20 X 7/8
48	F5H041		1	BATTERY TERMINAL KIT (ACCESSORY ITEM)
49	F1741		2	PAN HD SCREW, 8 X 3/4
50	F5H043		1	BUZZER, HEAT INDICATOR
51	F345683		1	WIRE, GROUND (RECTIFIER TO STARTER BOLT)
52	F404841		1	CABLE, HEAT INDICATOR
53	F1341		6	NUT, 1/4 - 20
54	FK1123		4	SPARKIE KIT
55	F2106		2	LOCKWASHER
56	F319908		1	WIRE, GROUND (C.D.- COIL BRACKET)
57	F1832		4	NUT, LOCK 1/4 - 20
58	F654029		1	TRIGGER ASSY.
59	F653095		1	ALTERNATOR STATOR
60	F1550		4	SLOTTED PAN HD. SCREW #12 - 24 X 1
61	200-817865A1		1	FLYWHEEL W/ILLUS. 67 ORIGINAL FORCE P/N A 615097-1
62	F1968		1	HEX NUT, 3/4 - 16
63	F8083		1	SPRING LOCKWASHER
64	F1877		1	TY-RAP (NOT SHOWN)
66	F438668		1	RETAINER
67	FA609853		1	DECAL, WARNING W/LITERATURE
68	F1705		3	HEX WASHER HD. M SCREW 1/4 - 20 X 3/4
70	F1303		1	PAN HD SCREW, 8 - 32 X 3/4
71	F654398		1	DECAL, 4 CYL. WIRING
72	F664384		2	CLIP, TERMINAL BLOCK COVER
73	F654497		1	TERMINAL BLOCK (12 POSITION)
74	F428096		1	RETAINER, THERMOSWITCH
75	F322273		1	STUD
76	F664672		1	COVER, TERMINAL BLOCK

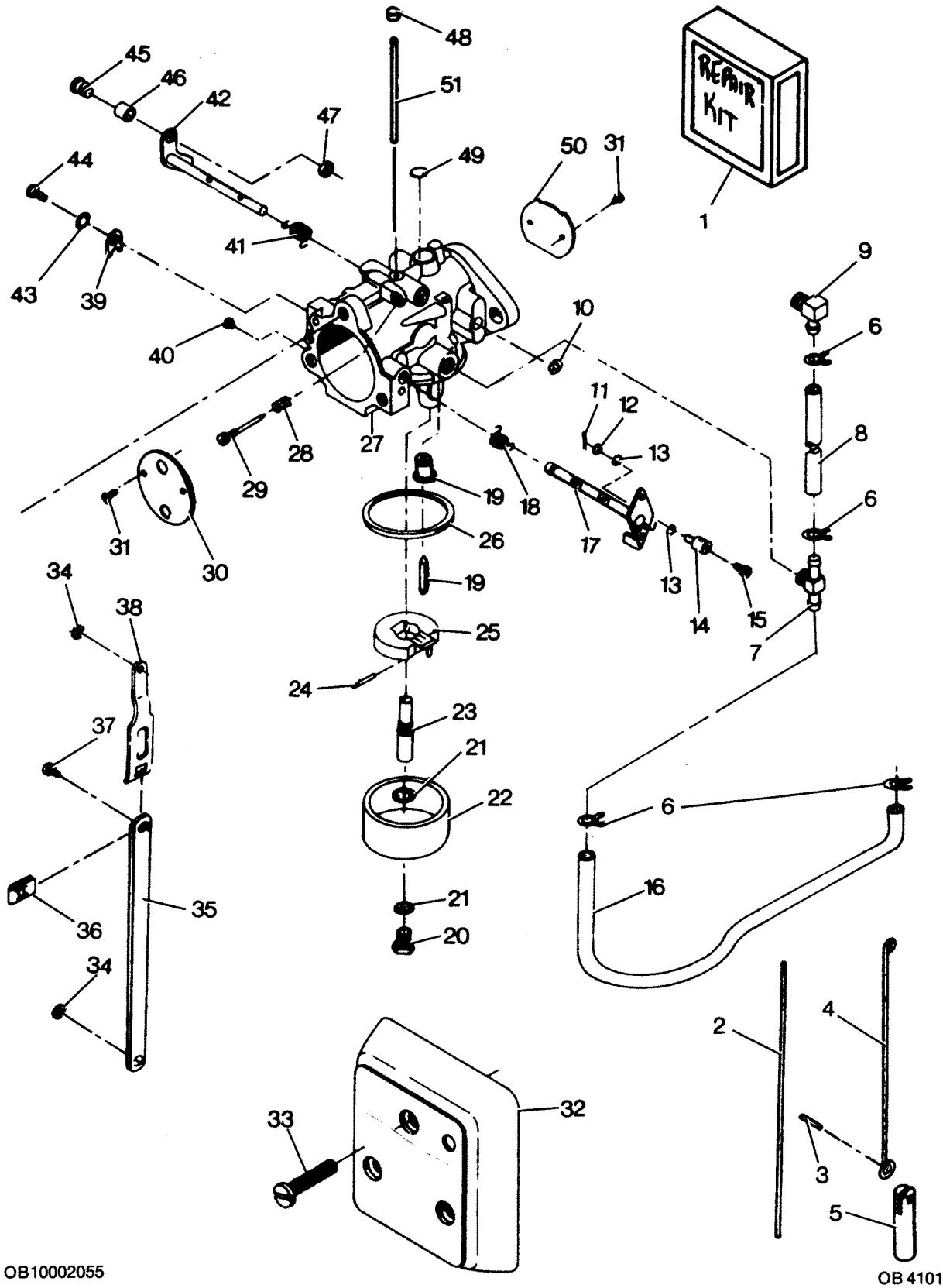
STARTER



STARTER

REF. NO.	PART NO.	SYM.	QTY.	DESCRIPTION
1	F15174		1	DRIVE KIT
2	F15175		1	DRIVE ASSEMBLY PINION
3	F15176		1	CAP STARTER DRIVE
4	F15177		1	ARMATURE
5	F15178		1	THRU BOLT PACKAGE
6	F15179		1	COMMUTATOR
7	F15164		1	BRUSH KIT
8	F1641		2	LOCK NUT
9	F85908-1		1	LEAD WIRE
10	F1922		1	HEX CAP SCREW, 1/4 - 20 X 5/8
11	F616675		1	STARTER BRACKET LOWER
12	F1854		1	HEX HD. CAP SCREW, 1/4 - 20 X 5/8
13	F8083		1	SPRING LOCKWASHER
14	F616955		1	STARTER COMPLETE. INCLUDES ALL ITEMS MARKED WITH AN ASTERISK (*).
15	F15158		1	SCREW, BRUSH HOLDER
16	F15160		1	INSULATOR WASHER
17	F15161		1	PLAIN WASHER
18	F15152		1	LOCKWASHER
19	F1341		1	NUT
20	F15162		1	NUT

CARBURETOR



OB10002055

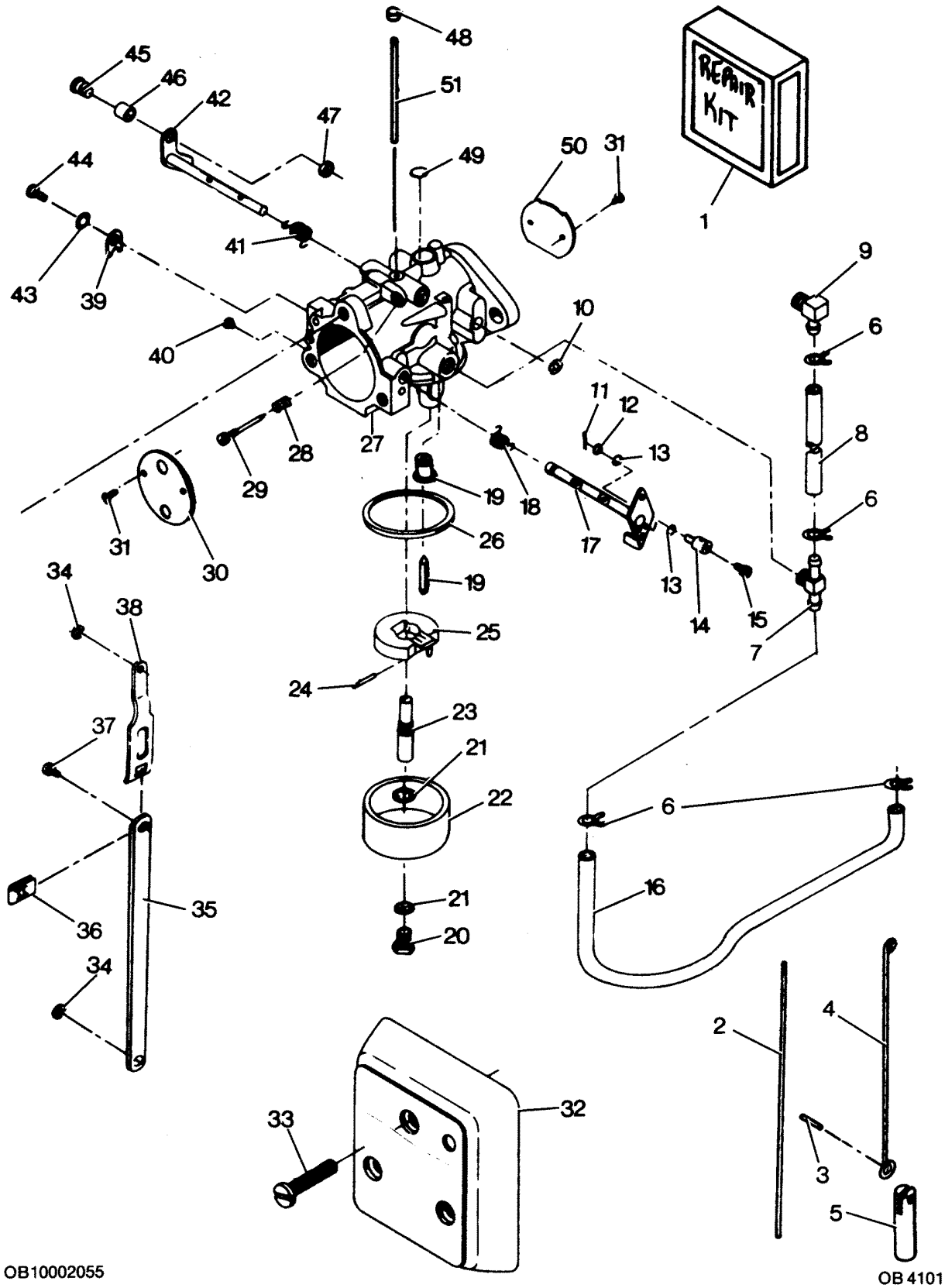
OB 4101

CARBURETOR

REF. NO.	PART NO.	SYM.	QTY.	DESCRIPTION
1	FK10103		1	REPAIR PARTS KIT. INCLUDES ALL ITEMS MARKED WITH AN ASTERISK (*) .
2	F85509-1		1	LINK, CHOKE
3	F2033		1	GROOVE PIN
4	F440925		1	CHOKE ROD
5	F391926-1		1	PLUNGER
6	F97772		4	CLAMP
7	F85314-1		1	FUEL FITTING - BOTTOM CARBURETOR
8	F178754-1		1	FUEL LINE
9	F84314-2		1	ELBOW - TOP CARBURETOR
10	FO16620		1	E-RING
11	F1014		2	COTTER PIN
12	F8088		3	PLAIN WASHER
13	F184579		5	O-RING SEAL
14	F184033-1		1	SWIVEL, TOP CARBURETOR
15	F1059		2	FILL HD SCREW, 6 - 32 X 1/4
16	F438754		1	FUEL LINE
17	FO16301		1	CHOKE SHAFT AND LEVER
18	FO17885		1	CHOKE SHAFT RETURN SPRING
19	FK10107		1	INLET NEEDLE AND SEAT W/LITERATURE
20	FO16132		1	FUEL BOWL RETAINING SCREW
21	FO5323		2	FUEL BOWL RETAINING SCREW GASKET
-	F85033		1	SWIVEL, CHOKE ROD (BOTTOM CARBURETOR) (NOT SHOWN)
-	FK10023		1	GASKET SET. INCLUDES ILLUS. 21, 26 AND 31 ON PAGE 12.
22	FO16130		1	FUEL BOWL
23	FO16133		1	MAIN NOZZLE
24	FO13944		1	FLOAT LEVER PIN
25	FO13554		1	FLOAT
26	FO15623		1	FUEL BOWL GASKET
27	F589061-1		1	CARBURETOR COMPLETE (BOTTOM)
-	F664061		1	CARBURETOR COMPLETE (TOP)
28	FO11103		1	IDLE MIXTURE SCREW SPRING
29	FO14166		1	IDLE MIXTURE SCREW
30	FO17719		1	CHOKE, SHUTTER
31	FO8942		4	CHOKE AND THROTTLE SHUTTER SCREW
32	F511708-1		2	COVER, CARBURETOR
33	F1034		6	PAN HD. SCREW, 1/4 - 20 X 1-3/8
34	F90807		2	RETAINING RING
35	FA178233		1	THROTTLE TIE BAR W/SWIVEL
36	F1693		1	TIE BAR RETAINER NUT
37	F1064		1	FILL HD. SCREW, 8 - 32 X 3/8
38	FA85193		1	TIE BAR END W/SWIVEL
39	FO9678		1	CLIP, CHOKE SHAFT

CONTINUED ON NEXT PAGE ➡

CARBURETOR



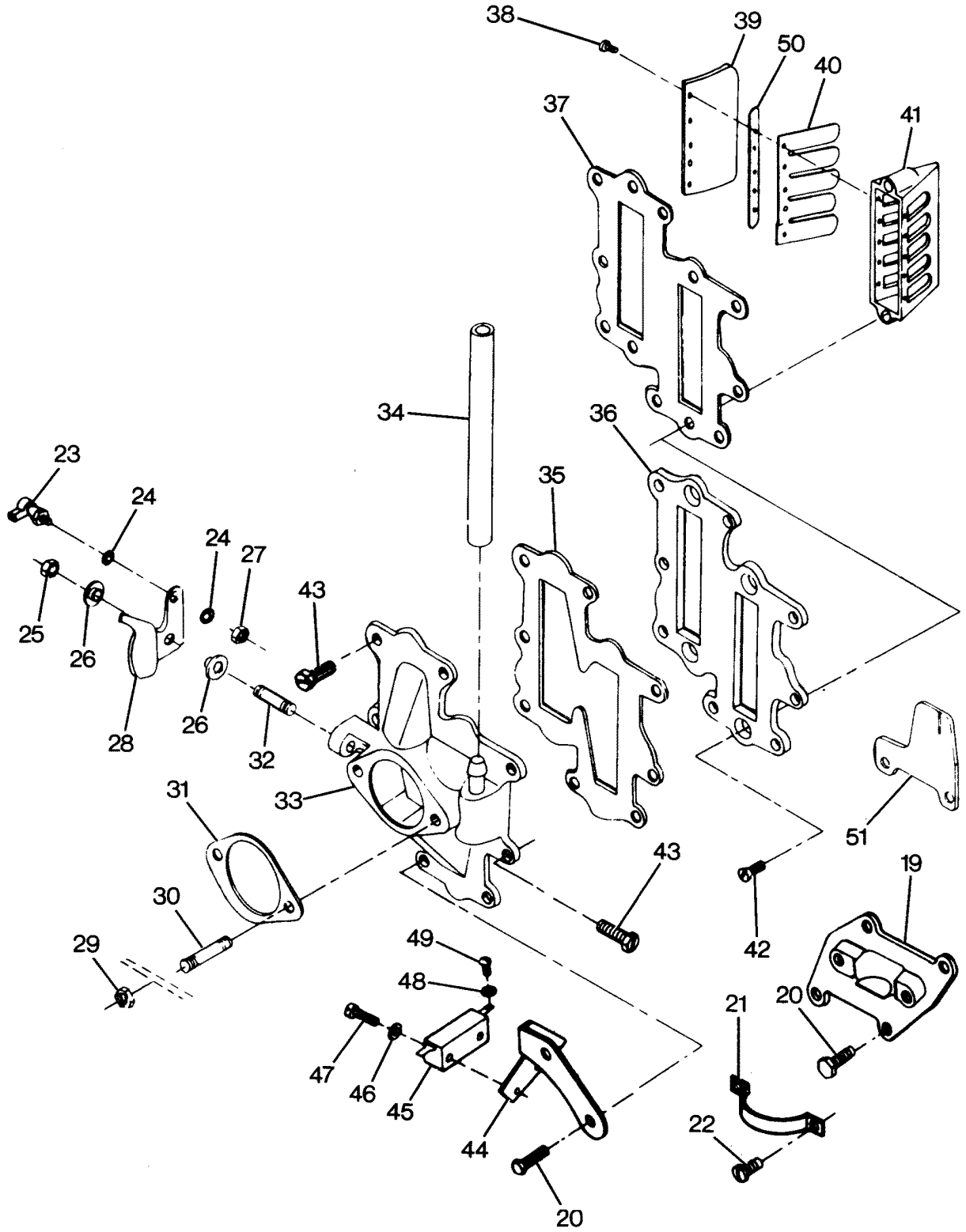
OB10002055

OB 4101

CARBURETOR

REF. NO.	PART NO.	SYM.	QTY.	DESCRIPTION
40	FO14191		1	MAIN FUEL JET STD. .0937 SEA LEVEL - 1500 FT. (BOTTOM CARBURETOR)
-	FO18010		1	MAIN FUEL JET STD. .101 SEA LEVEL - 1500 FT. (TOP CARBURETOR)
-	FO14190		-	MAIN FUEL JET OPT. .092 1500 - 3000 FT.
-	FO15406		-	MAIN FUEL JET OPT. .090 3000 - 4500 FT.
-	FO13193		-	MAIN FUEL JET OPT. .088 4500 - 6000 FT.
-	FO13949		-	MAIN FUEL JET OPT. .086 6000 FT. & UP
41	FO16143		1	THROTTLE SHAFT RETURN SPRING
42	FO17884		1	THROTTLE SHAFT AND LEVER
43	FO992		1	LOCKWASHER
44	FO1974		1	SCREW
45	F333316		1	THROTTLE ROLLER SHAFT
46	F92759		1	THROTTLE ROLLER
47	F1997		1	STOP NUT, 8 - 32
48	FO10588		4	BODY CHANNEL CUP PLUG
49	FO16128		1	BODY CHANNEL WELCH PLUG
50	FO16142		1	THROTTLE SHUTTER
51	FO16993		1	BY PASS TUBE

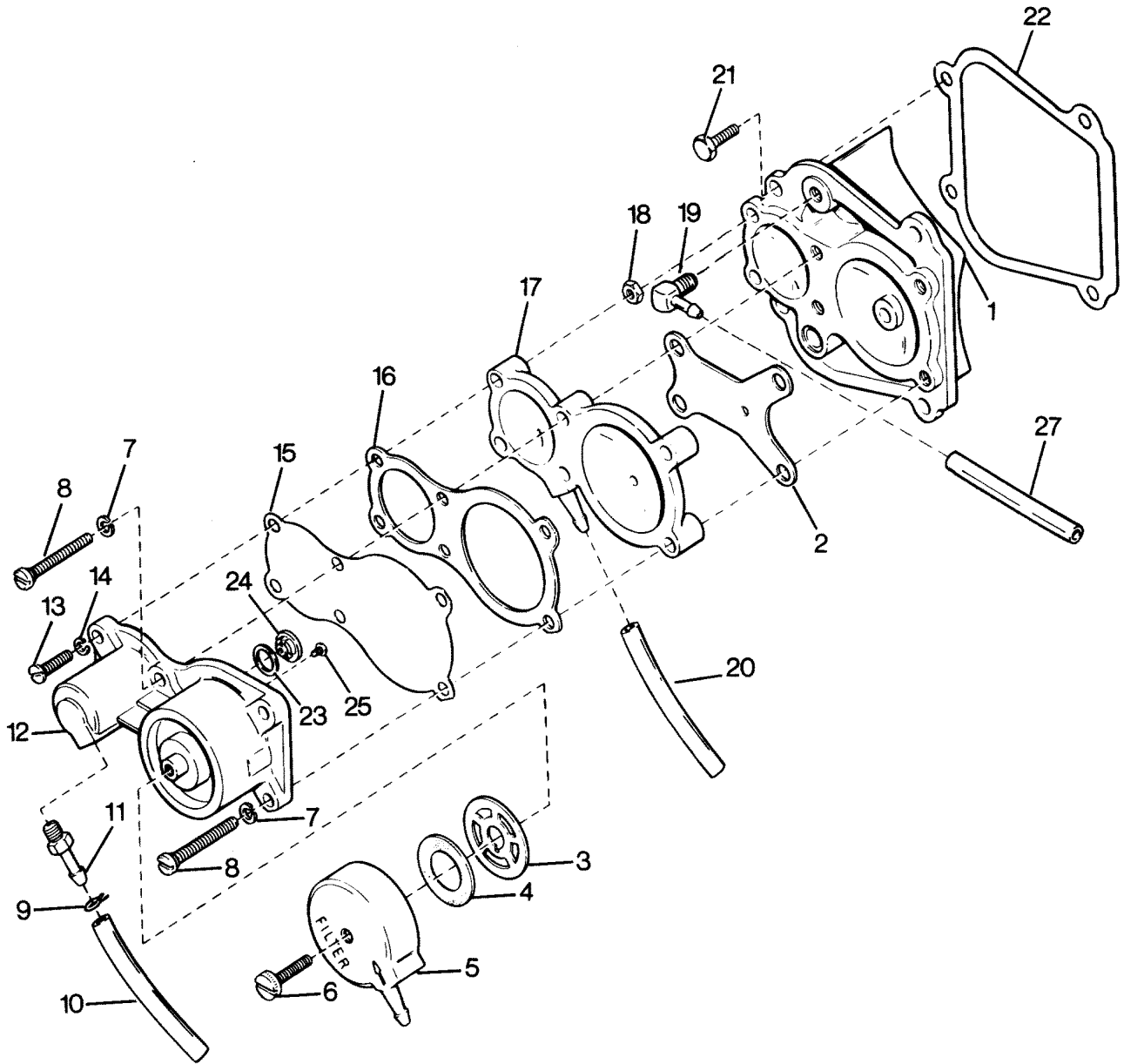
ADAPTER AND REED PLATE



ADAPTER AND REED PLATE

REF. NO.	PART NO.	SYM.	QTY.	DESCRIPTION
19	F372958		1	CHOKE BRACKET
20	F1532		6	HEX HD. SCREW, 1/4 - 20 X 1
21	F85317-3		1	SOLENOID CLAMP
22	F1236		2	SCREW, 1/4 - 20 X 1/2
23	817747--1		1	BALL JOINT W/STUD
24	F8058		2	INTERNAL TOOTH LOCKWASHER
25	F7008		1	STOP NUT, 1/4 - 20
26	F269319		2	THROTTLE CAM BEARING
27	F1513		1	HEX NUT, 10 - 32
28	F440192-1		1	THROTTLE CAM
29	F1346		4	HEX NUT
30	F440209		4	CARBURETOR STUD
31	F440906		2	CARBURETOR GASKET
32	F433209-1		1	THROTTLE CAM STUD
33	FA440167		1	CARBURETOR ADAPTER, LOWER W/FITTING AND LLUS. 30
-	FA440157		1	CARBURETOR ADAPTER, UPPER W/FITTING AND ILLUS. 30 (NOT SHOWN)
34	F440254		1	BALANCE TUBE
35	F178168-1		1	GASKET, CARBURETOR ADAPTER
36	F178404-1		2	DEFLECTOR PLATE
37	F406406		2	GASKET DEFLECTOR PLATE
38	F1755		40	ROUND HD. SCREW W/LOCKWASHER 6 - 32 X 1/4
39	F85161-1		8	REED STOP
40	F530160		8	REED (5 PETAL)
41	F3A523158		4	REED PLATE W/ILLUS. 38, 39, 40, 44 AND 51
42	F1831		8	FLAT HD SCREW, 1/4 - 20 X 5/8
43	F2008		10	HEX HD SCREW, 1/4 - 20 X 7/8
44	F489551		1	BRACKET NEUTRAL INTERLOCK SWITCH
50	F523451		8	SPACER, REED STOP
51	F500894		1	POINTER, TIMING

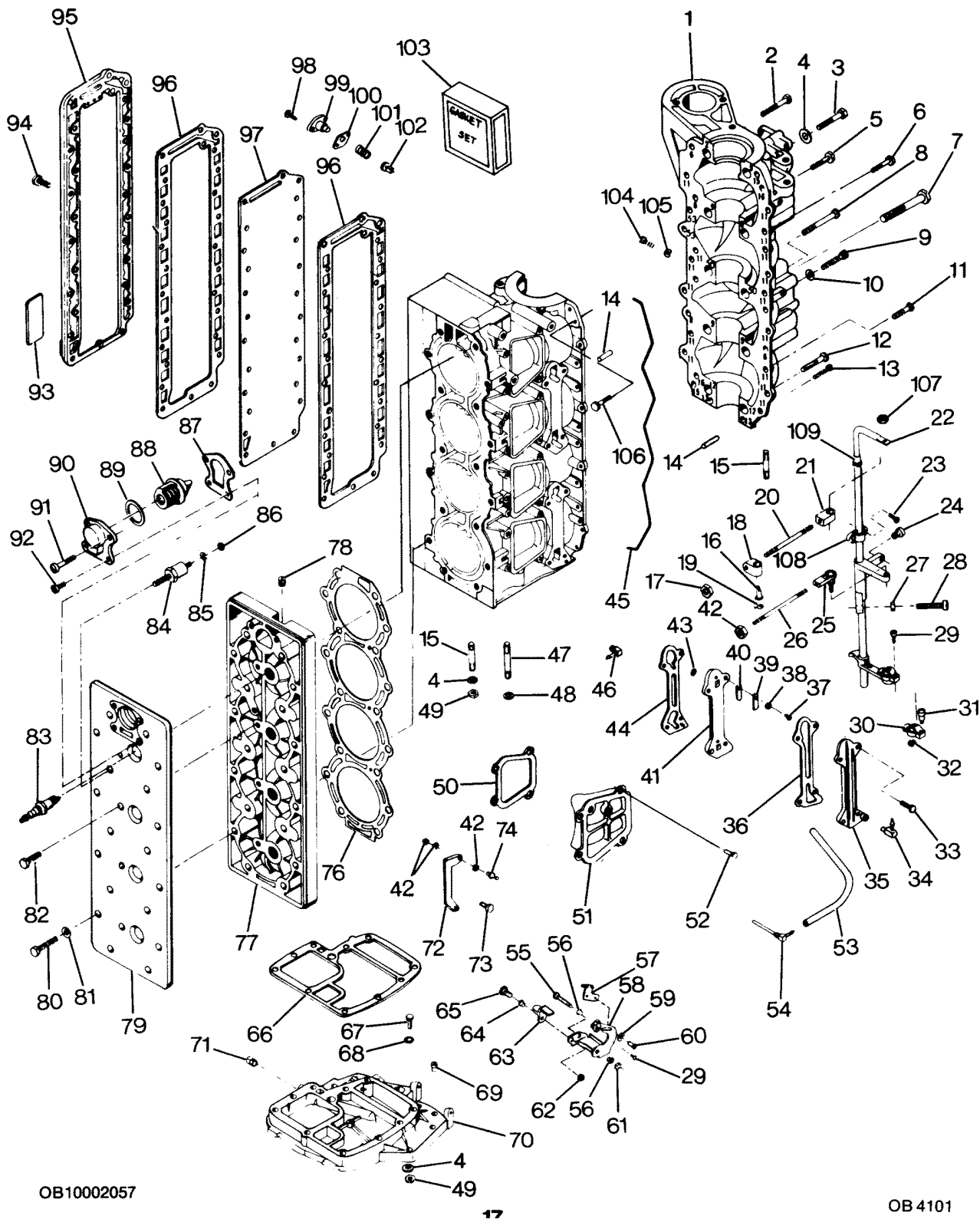
FUEL PUMP



FUEL PUMP

REF. NO.	PART NO.	SYM.	QTY.	DESCRIPTION
1	FA658746		1	COVER, FUEL PUMP W/LITERATURE
2	F658803		1	GASKET, SPACER PLATE
3	F438617		1	GASKET, FUEL SEDIMENT BOWL
4	F438653		1	SCREEN, FUEL PUMP
5	F438500		1	BOWL, FUEL SEDIMENT
6	F1648		1	SCREW, FUEL SEDIMENT BOWL
7	F8083		4	LOCKWASHER
8	F1504		4	SLOTTED FIL SCREW, 1/4 - 20 X 1-1/4 S.S.
9	F97772		2	CLAMP, FUEL LINE
10	F438754		1	FUEL LINE, PUMP TO CARBURETOR
11	F438801		1	ELBOW
12	FA438431		1	BODY, FUEL PUMP W/ILLUS.
13	F1648		2	SCREW, 10 - 24 X 3/4 PAN HD SCREW
14	F1975		2	LOCKWASHER
15	F438747		1	DIAPHRAGM, FUEL PUMP
16	F438760		1	GASKET, FUEL PUMP
17	F658836		1	SPACER, FUEL PUMP
18	F1473		2	NUT, 10 - 24 S.S.
19	F404310		1	ELBOW, RECIRCULATING
20	F89758		1	HOSE, IMPULSE
21	F1540		3	HEX HD SCREW, 1/4 - 20 X 5/8 GR. 5
22	F40223		1	GASKET, TRANSFER PORT COVER
23	F84792		1	GASKET, FUEL PUMP VALVE
24	F177330		3	VALVE, FUEL PUMP
25	F1860		2	SLOTTED BINDING HEAD SCREW, 6 - 32 X 1/4
-	F2A664746		1	FUEL PUMP COMPLETE INCLUDES ITEMS 1, 2, 7, 8 & 11 THRU 20
27	F441754-1		1	HOSE, RECIRCULATION

POWER HEAD



OB10002057

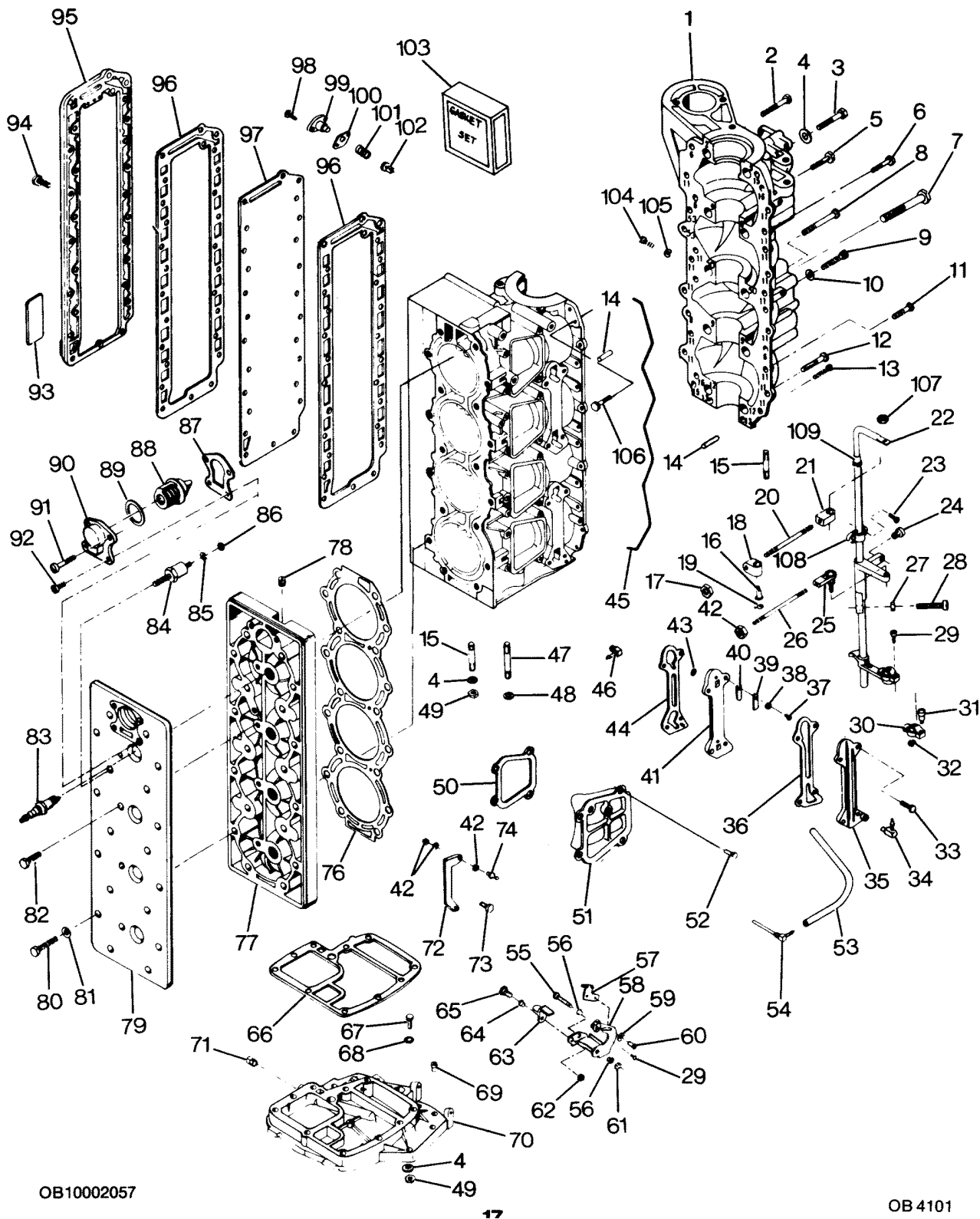
OB 4101

POWER HEAD

REF. NO.	PART NO.	SYM.	QTY.	DESCRIPTION
1	800-817864A6		1	CYLINDER W/CRANKCASE COVER ILLUS. 2, 3, 7, 9, 12, 14, 15, 45 AND 47 ORIGINAL FORCE P/N A 615010-2
-	800-818154A6		1	SHORT BLOCK CONTAINS ALL ITEMS MARKED WITH AN ASTERISK (*). ALSO REFER TO CRANKSHAFT PAGE. ORIGINAL FORCE P/N C 615010-2
2	F1874		1	HEX HD. SCREW, 3/8 - 16 X 1/8
3	F1009		1	HEX HD. SCREW, 3/8 - 16 X 2-3/4
4	F8038		4	PLAIN WASHER
5	F2008		2	HEX HD. SCREW, 1/4 - 20 X 7/8
6	F2008		3	HEX HD. SCREW, 1/4 - 20 X 7/8
7	F1873		2	HEX CAP SCREW, 3/8 - 16 X 3
8	F1699		1	HEX HD. SCREW, 1/4 - 20 X 1-1/8
9	F1253		4	HEX SOCKET HD. CAP SCREW, 3/8 - 16 X 2
10	F8104		4	PLAIN WASHER
11	F1864		16	HEX HD. SCREW, 1/4 - 20 X 3/4
12	F1872		2	HEX CAP SCREW, 3/8 - 16 X 1-3/4
13	F1504		2	FILL HD. SCREW, 1/4 - 20 X 1-1/4
14	F8563		2	DOWEL PIN
15	F85859		4	STUD
16	F499026		1	SWIVEL
17	F2015		1	HEX NUT, 1/4 - 28
18	F499035		1	END, CONTROL ROD (TO TOWERSHAFT)
20	F85445		1	CONTROL ROD
21	F499036		1	END, CONTROL ROD (TO TRIGGER)
22	817960A2		1	TOWERSHAFT W/ILLUS. 30, 76, 77, 24, 25, 27 AND 28 ORIGINAL FORCE P/N K 491838-1
23	F1829		2	FILL HD. SCREW, 10 - 24 X 7/8
24	F1727		1	PLASTIC RIVET
25	817747--1		1	BALL JOINT W/STUD
26	F85502		1	THROTTLE LINK
27	F1341		1	HEX NUT, 1/4 - 20
28	F1052		1	FILL HD. SCREW, 1/4 - 20 X 1
29	F1556		2	FILL HD. SCREW, W/LOCKWASHER, 10 - 24 X 3/8
30	FK405020		2	SWIVEL W/CLAMP, SHOULDER SCREW AND NUT
31	F405457		1	PIVOT SCREW
32	F7008		1	ELASTIC STOP NUT
33	F1532		8	HEX HD. SCREW, 1/4 - 20 X 1
34	22-818103--1		1	ELBOW, CYLINDER DRAIN LOWER
-	F404801		1	ELBOW, CYLINDER DRAIN UPPER (NOT SHOWN)
35	F406471-1		2	CYLINDER DRAIN COVER
36	F84472-5		2	GASKET, CYLINDER DRAIN COVER
37	F1286		4	PAN HD. SCREW, 4 - 40 X 3/16
38	F8003		4	PLAIN WASHER
39	F93920		4	REED STOP

CONTINUED ON NEXT PAGE ➡

POWER HEAD



OB10002057

OB 4101

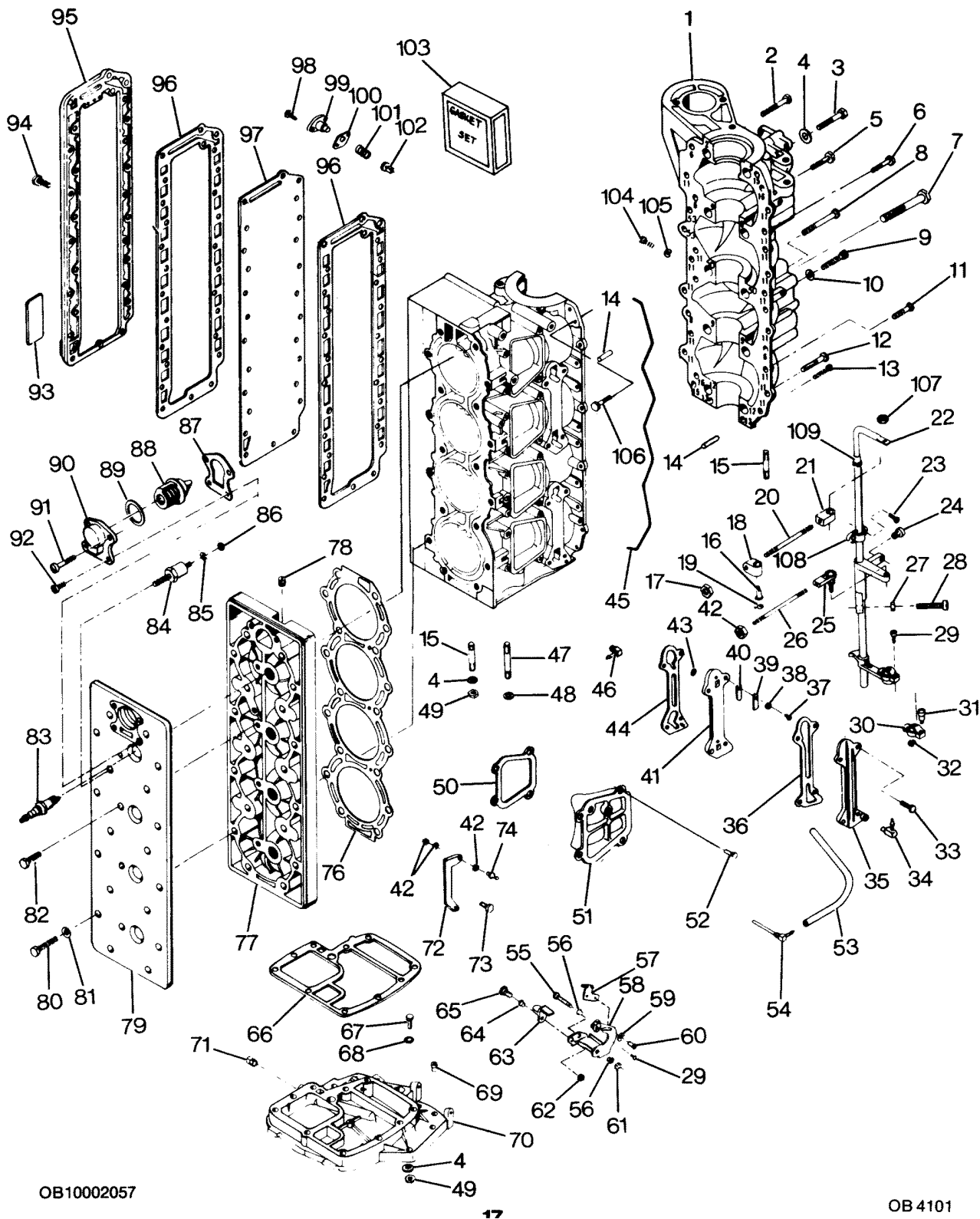
17

POWER HEAD

REF. NO.	PART NO.	SYM.	QTY.	DESCRIPTION
40	F18160-3		4	CYLINDER DRAIN REED
41	F2A476757		2	CYLINDER DRAIN REED PLATE W/ILLUS. 37, 38, 39, 40 AND 43
42	F1513		2	HEX NUT, 10 - 32
43	F93811		4	SCREEN
44	F84748-3		2	GASKET, CYL. DRAIN REED PLATE
45	F184122-1		1	SEAL, PARTING LINE
46	F84314-2		1	ELBOW
47	F85211		6	STUD
48	F8095		12	PLAIN WASHER
49	F7004		10	STOP NUT, 3/8 - 16
50	F40223		4	GASKET, TRANSFER PORT COVER
51	FA411222		3	TRANSFER PORT COVER W/ILLUS. 78 AND LITERATURE
52	F1922		9	HEX CAP SCREW, 1/4 - 20 X 5/8
53	F406754-1		1	HOSE
54	F404314		1	FITTING
55	F1885		1	HEX BOLTS. S.S., 5/16 - 18 X 4-1/4
56	F85610		2	BEARING
57	F480107-1		1	CAM STARTER INTERLOCK
58	FA480876		1	GEAR SHIFT ARM W/ILLUS. 30, 56, 62, 63, 64 AND 65
59	F2042		2	PLAIN WASHER
60	F2089		2	SLOTTED PAN HD. M. SCREW, 10 - 24 X 5/16
61	F2108		1	STOP NUT, 5/16 - 18
62	F1832		1	STOP NUT, 1/4 - 20
63	F369977-1		1	INTERLOCK ARM
64	F369610		1	BEARING
65	F369887		1	SHOULDER SCREW
66	F85279-2		1	GASKET, CYLINDER EXHAUST UPPER
67	F1869		6	HEX CAP SCREW, 3/8 - 16 X 1-1/4
68	F1703		6	LOCKWASHER
69	F40689-1		1	BEARING
70	817788A3		1	SPACER PLATE W/ILLUS. 71 ORIGINAL FORCE P/N A 404680-2
71	F2090		1	PLUG
72	FS85872-1		1	BRACKET
73	F1864		2	HEX CAP SCREW, 1/4 - 20 X 3/4
74	F98273		2	ROD END CONNECTOR STUD
75	F1804		2	STOP NUT
76	F476529-1		1	CYLINDER HEAD GASKET
77	FA631518		1	CYLINDER HEAD W/ILLUS. 78
78	F19109		1	PLUG
79	FS631995		1	COVER, CYLINDER HEAD
80	F2049		18	HEX CAP SCREW, 5/16 - 18 X 2-5/8
81	F1987		18	PLAIN WASHER

CONTINUED ON NEXT PAGE ➡

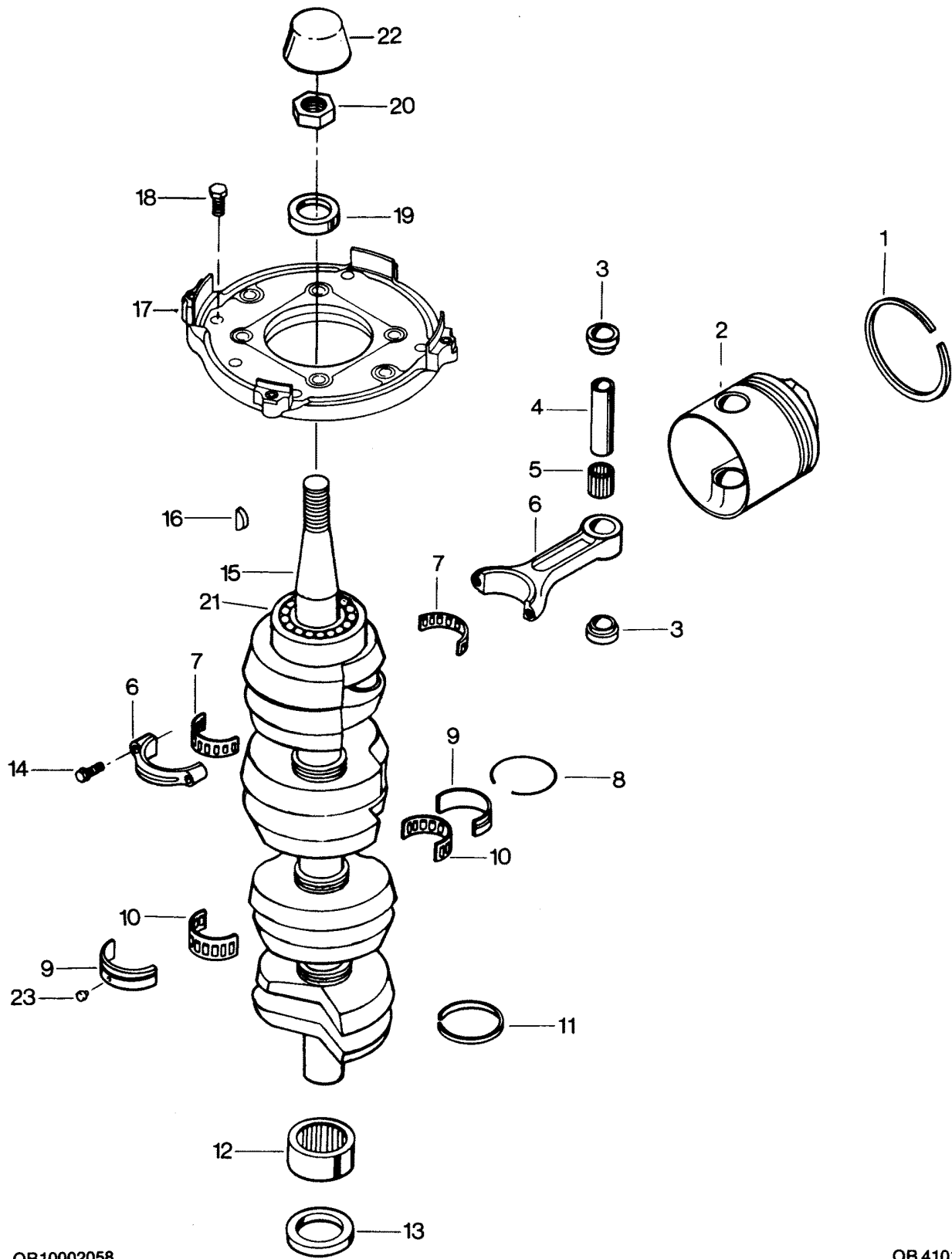
POWER HEAD



POWER HEAD

REF. NO.	PART NO.	SYM.	QTY.	DESCRIPTION
82	F2008		4	HEX CAP SCREW, 1/4 - 20 X 7/8
83	33-818007--1		4	SPARK PLUG (CHAMPION UL 18V) - USA
87	F476067		1	GASKET
88	F528068		1	THERMOSTAT
89	F84504		1	GROMMET (THERMOSTAT)
90	F476066-1		1	THERMOSTAT COVER
91	F1504		2	FILL HD. SCREW, 1/4 - 20 X 1-1/4
92	F1107		2	SLOTTED FILL HD. CAP SCREW, 1/4 - 20 X 3/4
93	FC529398		1	DECAL, WIRING
94	F1699		27	HEX BOLT, 1/4 - 20 X 1-1/8
95	F372152-2		1	EXHAUST PORT COVER
96	F372154-1		2	GASKET, EXHAUST PORT PLATE
97	F372151-1		1	EXHAUST PORT PLATE
98	F1950		2	HEX CAP SCREW, 10 - 24 X 5/8
99	F438066		1	BY-PASS VALVE COVER
100	F85762		1	BY-PASS VALVE COVER GASKET
101	F404268		1	BY-PASS VALVE SPRING
102	F85916-1		1	BY-PASS VALVE
103	FG1019		1	GASKET SET - INCLUDES ALL ITEMS MARKED WITH A *
-	F40223		4	TRANSFER PORT COVER GASKET
-	F84472-5		2	CYLINDER DRAIN COVER GASKET
-	F84748-3		2	CYLINDER DRAIN REED PLATE GASKET
-	F85279-2		1	CYLINDER EXHAUST UPPER GASKET
-	F85762		1	BY-PASS COVER GASKET
-	F85906		2	CARBURETOR GASKET
-	F178168-1		2	CARBURETOR ADAPTER GASKET
-	F184122-1		1	SEAL
-	F372154-1		2	EXHAUST PLATE GASKET
-	F406406		2	DEFLECTOR PLATE GASKET
-	F440906		2	CARBURETOR GASKET
-	F476067		1	THERMOSTAT COVER GASKET
-	F476529-1		1	CYLINDER HEAD GASKET
104	F2000		1	HEX CAP SCREW, 5/16 - 18 X 3/4
105	F8096		1	SPRING LOCKWASHER
106	F1532		2	HEX HD. SCREW, 1/4 - 20 X 1
107	F7009		1	LOCK NUT, #10 - 24
108	FA607689		2	BEARING TOWERSHAFT WILLUS. 23
109	F491689-1		1	BEARING TOWERSHAFT UPPER

CRANKSHAFT AND PISTON



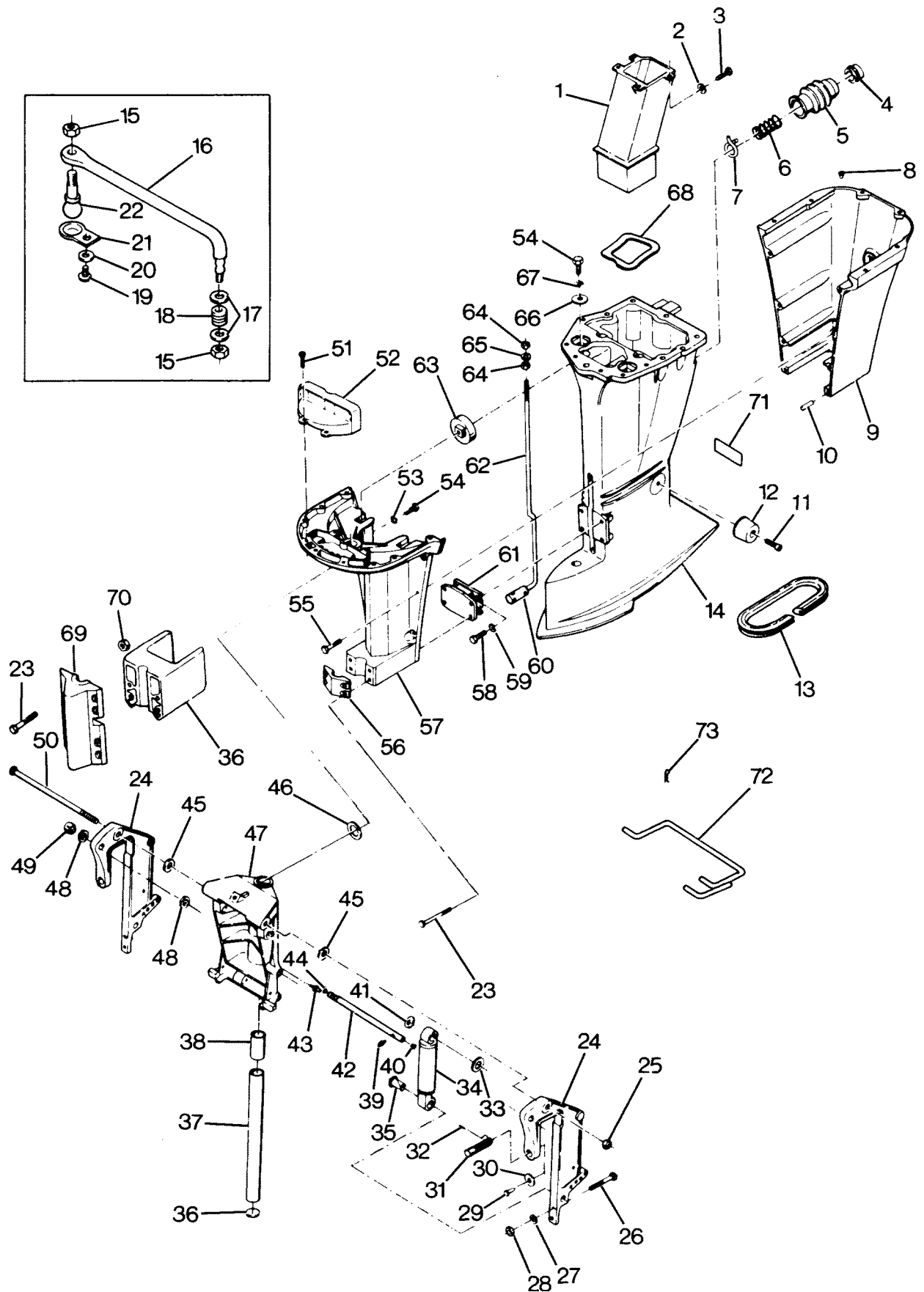
OB10002058

OB 4101

CRANKSHAFT AND PISTON

REF. NO.	PART NO.	SYM.	QTY.	DESCRIPTION
1	FA335260		4	PISTON RINGS (2 PER SET) STANDARD
-	FSA335260		4	PISTON RINGS (2 PER SET) .010 OVERSIZE
-	39-818110A1		4	PISTON RINGS (2 PER SET) .030 OVERSIZE
2	700-F372015-3		4	PISTON - STANDARD
-	700-817988A2		4	PISTON .010 OVERSIZE
-	700-818111A2		4	PISTON .030 OVERSIZE
3	F335215		8	SPACER, PISTON PIN (2 PER PISTON)
4	F85017		4	PISTON PIN
5	F335217-1		4	BEARING PISTON PIN (26 PER SET)
6	600-818052A4		4	CONNECTING ROD W/CAP AND ILLUS. 14 ORIGINAL FORCE P/N S 366016-4
7	FK85228-1		4	BEARING CAGE W/ROLLER
8	F85410		3	SNAP RING
9	FA85655-1		3	CRANKSHAFT MAIN BEARING RACE W/ILLUS. 8
10	F85571		3	BEARING CAGE W/ROLLER
11	F316579		3	SEAL, CRANKCASE
12	FA523014		1	CRANKSHAFT LOWER MAIN BEARING W/ILLUS. 13
13	F523146-1		1	SEAL, CRANKSHAFT LOWER
14	F85634-2		6	CONNECTING ROD SCREW
15	FA528018		1	CRANKSHAFT W/ILLUS. 11 AND 21
16	F85498-1		1	FLYWHEEL KEY
17	F2A615144		1	CRANKSHAFT BEARING CAGE W/ILLUS. 19
18	F2081		5	HEX SOC. HD SCREW, 1/4 - 20 X 3/4
19	F523146-1		1	SEAL, CRANKSHAFT UPPER
20	F1968		1	FLYWHEEL NUT
21	F284659-2		1	CRANKSHAFT THRUST BEARING, UPPER
22	F2067		1	PLASTIC CAP
23	F85909-1		4	BEARING LOCATING PIN (PRESSED INTO BLOCK)

MOTOR LEG

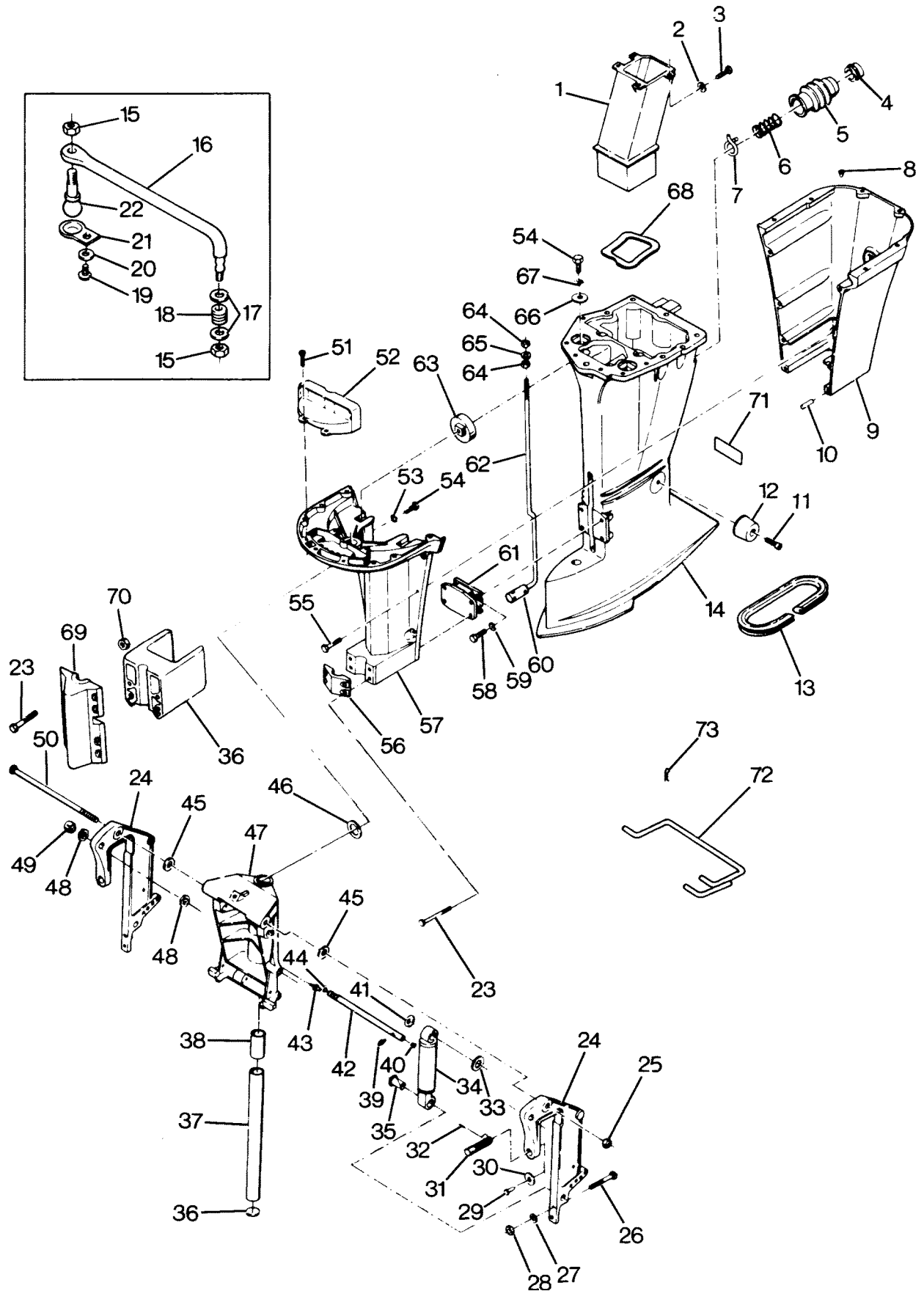


MOTOR LEG

REF. NO.	PART NO.	SYM.	QTY.	DESCRIPTION
1	F85660-1		1	EXHAUST TUBE
2	F8083		4	SPRING LOCKWASHER
3	F1864		4	HEX SLOT HD SCREW, 1/4 - 20 X 3/4
4	F85258		1	INSERT
5	F85130		1	BOOT IDLE EXHAUST
6	F85380		1	SPRING
7	F85772		1	CLAMP
8	F1729		2	PLUG
9	F178145-4		1	MOTOR LEG COVER REAR
10	F1664		2	SPRING PIN
11	F1263		2	HEX SOCKET HD CAP SCREWS, 5/16 - 18 X 9/16
12	F438962		2	SHOCK MOUNT LOWER REAR
13	F178323		1	SEAL, MOTOR LEG
14	F523133-2		1	MOTOR LEG (20 INCH MODELS)
-	F500133		1	MOTOR LEG (25 INCH MODELS)
15	F2093		2	STOP NUT, 3/8 - 24
17	F8038		2	PLAIN WASHER
18	F523300-1		1	SPRING
19	F1280		1	PAN HD SCREW, 8 - 32 X 1/4
20	F8080		1	SPRING LOCKWASHER
21	F523930		1	RETAINER
22	F523273		1	STEERING BALL STUD
23	F1696		8	HEX BOLT, 5/16 - 18 X 1-3/4
24	1400-817958A6		2	STERN BRACKET
25	F7012		1	STOP NUT
26	F2125		2	HEX HD SCREW, 3/8 - 16 X 3
27	F1904		2	PLAIN WASHER
28	F1346		2	HEX NUT
29	F353480		2	STUD
30	F84074		2	CLAMP SCREW FOOT
31	F474073-1		2	CLAMP SCREW
32	F8538		2	SPRING PIN
33	F1710		2	PLAIN WASHER
34	FA178962		1	SHOCK ABSORBER W/BUSHING - 178344
35	F449362		2	BEARING
36	F631707		1	COVER SHOCK MT. LOWER (25 INCH MODELS)
37	FS85019		1	KINGPIN (20 INCH MODELS)
-	FA500019		1	KINGPIN (25 INCH MODELS)
38	F438169		2	BEARING
39	F523274		1	GREASE FITTING
40	F9052		1	PLUG
41	F1711		2	SPRING BOWED WASHER
42	F511125-2		1	TUBE, STEERING SUPPORT

CONTINUED ON NEXT PAGE ➡

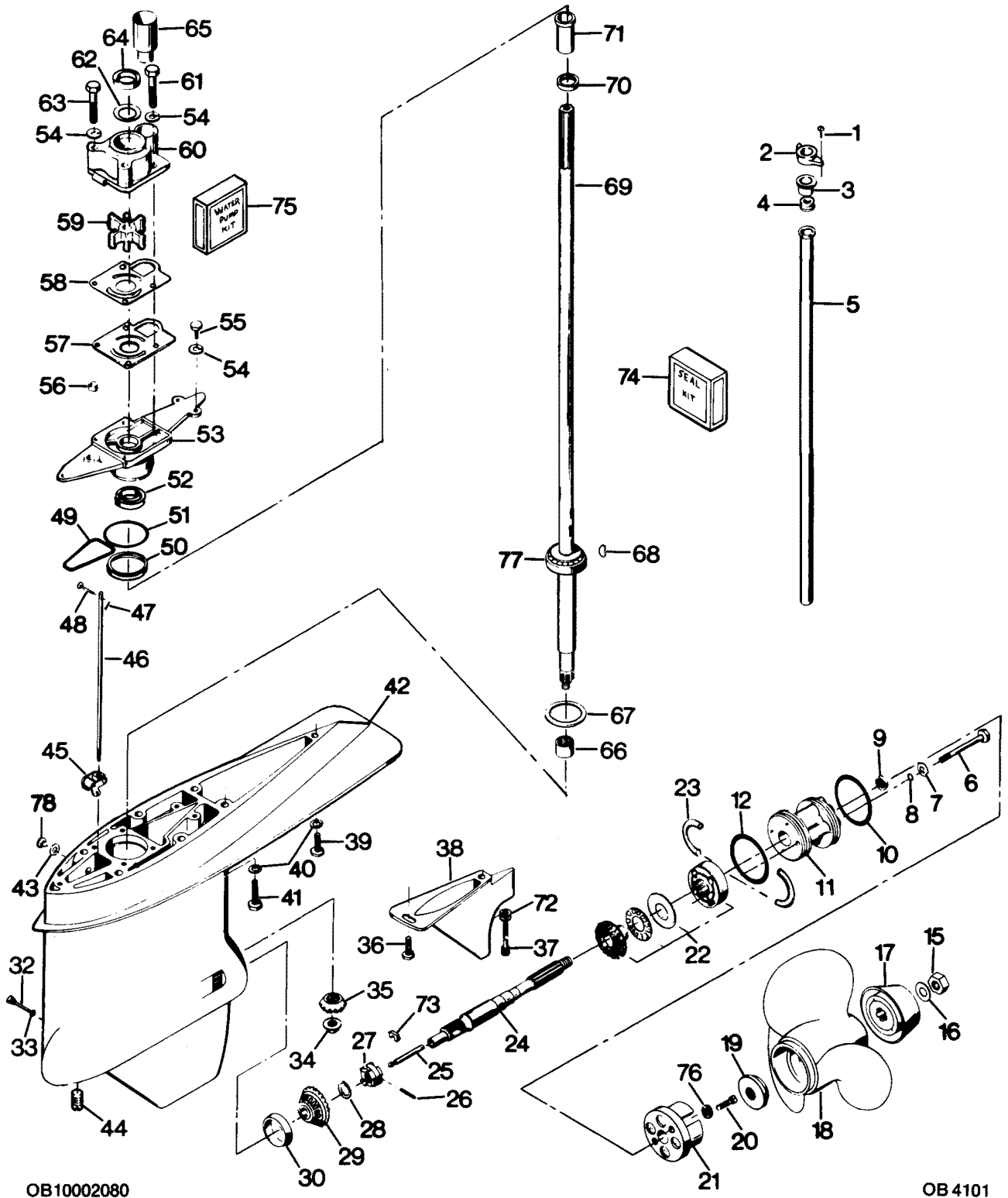
MOTOR LEG



MOTOR LEG

REF. NO.	PART NO.	SYM.	QTY.	DESCRIPTION
43	F213274		3	GREASE FITTING
44	F316599		1	SEAL, STEERING SUPPORT TUBE
45	F84286-1		4	FRICTION WASHER
46	F84011		1	WASHER
47	817783A5		1	SWIVEL BRACKET W/ILLUS. 38 AND 43 ORIGINAL FORCE P/N A 369072-2
48	F523280		2	NUT, STEERING SUPPORT TUBE
49	F9018		1	CAP
50	F85037-1		1	STERN BRACKET PIVOT BOLT
51	F1912		4	HEX HD SCREW, 10 - 24 X 1/2
52	F85779-1		1	BAFFLE, AIR INTAKE
53	F1703		2	SPRING LOCKWASHER
54	F1871		4	HEX HD SCREW, 3/8 - 16 X 3/4
55	F2030		6	HEX HD SCREW, 1/4 - 20 X 1-1/4
56	F85606		1	KINGPIN CAP (20 INCH MODELS)
57	FA85135-4		1	LEG COVER FRONT W/ILLUS. 55
58	F1822		4	HEX BOLT, 5/16 - 18 X 7/8
59	F8096		4	SPRING LOCKWASHER
60	F85704		1	COUPLER, GEAR SHIFT ROD
61	F438346		1	SHOCK MOUNT LOWER
62	F85615-1		1	GEAR SHIFT ROD UPPER (20 INCH MODELS)
-	F500615		1	GEAR SHIFT ROD UPPER (25 INCH MODELS)
63	F85965		2	SHOCK MOUNT UPPER
64	F2108		2	LOCK NUT
65	F1987		1	PLAIN WASHER
66	FA85355-1		2	WASHER (SET OF 2 SHOCK MOUNT WASHERS) W/ILLUS. 67
67	F2014		2	PLAIN WASHER
68	F439736		1	SEAL, EXHAUST TUBE
69	F631606		1	KINGPIN CAP (25 INCH MODELS)
70	F1515		4	HEX NUT 5/16 - 18
71	F598387		1	DECAL, POWER FLOW
72	F5H179		1	TRAILERING BRACKET
73	F525629		1	PIN, COTTER

GEAR HOUSING

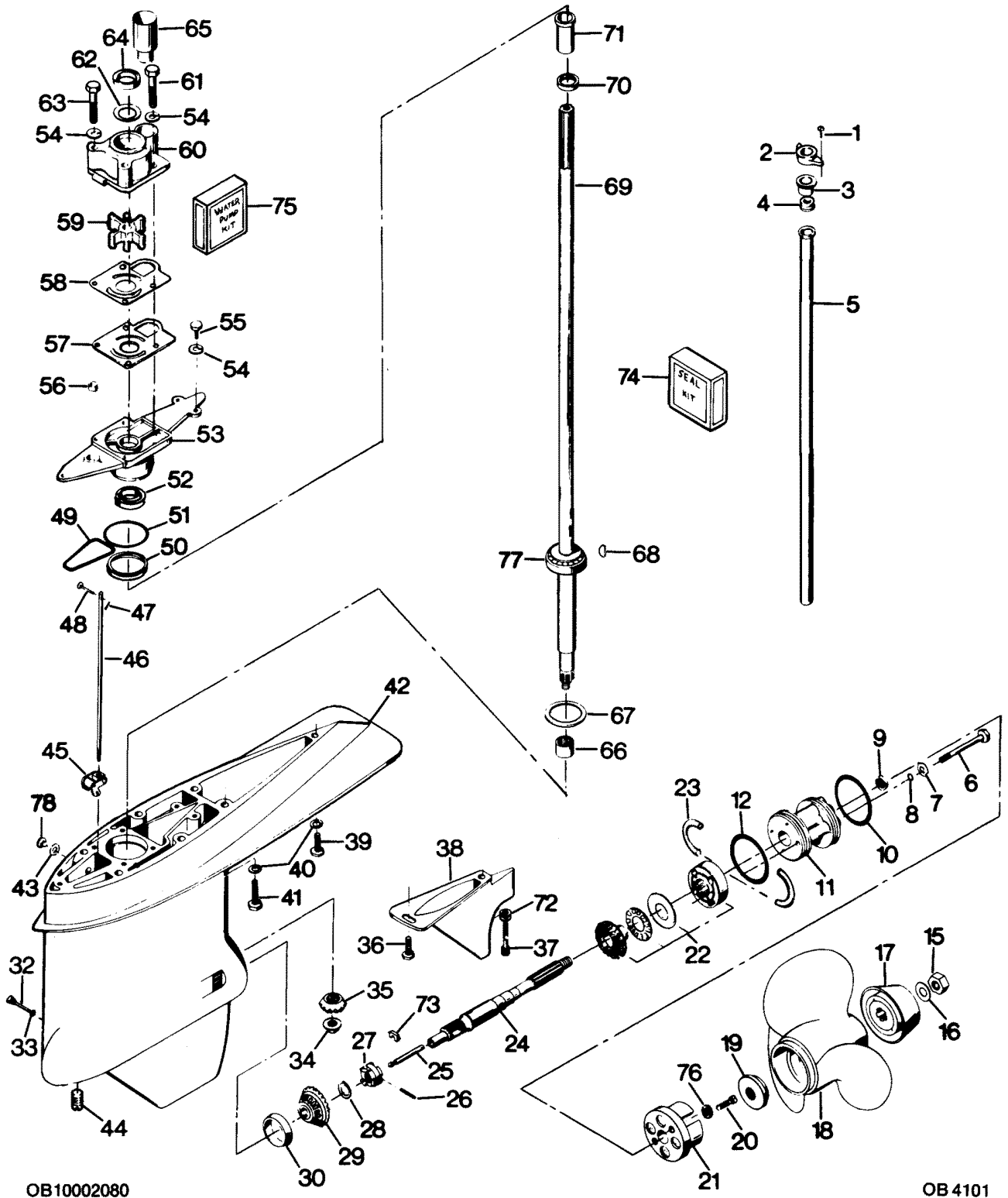


GEAR HOUSING

REF. NO.	PART NO.	SYM.	QTY.	DESCRIPTION
1	F1705		2	HEX CAP SCREW, 1/4 - 20 X 3/4 S.S.
2	F85117		1	BRACKET, WATERLINE
3	F84342		1	SEAL, INLET WATERLINE, UPPER
4	F523899		1	GROMMET, WATERLINE
5	F523244		1	INLET WATERLINE (20 INCH MODELS)
-	F500244		1	INLET WATER LINE (25 INCH MODELS)
6	F1885		4	HEX CAP SCREW, 5/16 - 18 X 4-1/4 S.S.
7	F1907		4	PLAIN WASHER S.S.
8	F50342-1		4	SEAL, BEARING CAGE BOLTS
9	F506118		1	SEAL, PROPELLER SHAFT
10	F24278		1	SEAL, O-RING PROPELLER SHAFT SPOOL
11	F2A523239		1	SPOOL, PROPELLER SHAFT BEARING W/SEAL AND ILLUS.9
12	F84305		1	SEAL, PROPELLER SHAFT BEARING SPOOL
15	F1788		1	STOP NUT
16	F1866		1	PLAIN WASHER
17	F532299		1	WASHER, PROPELLER SPLINE
18	FPS501		1	PROPELLER (14 X 13) MODEL 1253X7A
-	FPS623		1	PROPELLER (13 X 17) MODEL 1251X7A
-	FPS625		1	PROPELLER (13 X 19) MODELS 1251F7A, C1251F7A, 1258F7A, C1258F7A, 1258V7A & 1253X7A
-	FP665		1	PROPELLER (13 X 15 CUPPED) MODEL 1254X7A
19	F523099-1		1	SPACER, PROPELLER
20	F1112		2	FILL HD SCREW, 1/4 - 20 X 7/8
21	FA523485		1	ANTI-CORROSION ANODE W/LITERATURE
22	F2A523662		1	BEVEL GEAR REAR W/BEARING CAGE, SPACER AND BEARING
23	F523411		2	RETAINING RING
24	44-817962A2		1	PROPELLER SHAFT W/LITERATURE ORIGINAL FORCE P/N K 523098-1
25	F84871-1		1	PIN, GEAR SHIFT
26	F1713		1	SPRING PIN
27	F84521-2		1	CLUTCH
28	F1936		A/R	SPACER, BEVEL GEAR FRONT .059
-	F1937		A/R	SPACER, BEVEL GEAR FRONT .062
-	F1938		A/R	SPACER, BEVEL GEAR FRONT .065
-	F1939		A/R	SPACER, BEVEL GEAR FRONT .068
-	F1940		A/R	SPACER, BEVEL GEAR FRONT .071
-	F1941		A/R	SPACER, BEVEL GEAR FRONT .074
-	F1942		A/R	SPACER, BEVEL GEAR FRONT .077
-	F2113		A/R	SPACER, BEVEL GEAR FRONT .080
-	F2114		A/R	SPACER, BEVEL GEAR FRONT .083
-	F2115		A/R	SPACER, BEVEL GEAR FRONT .086
-	F2116		A/R	SPACER, BEVEL GEAR FRONT .089
-	F2121		A/R	SPACER, BEVEL GEAR FRONT .057

CONTINUED ON NEXT PAGE ➡

GEAR HOUSING



OB10002080

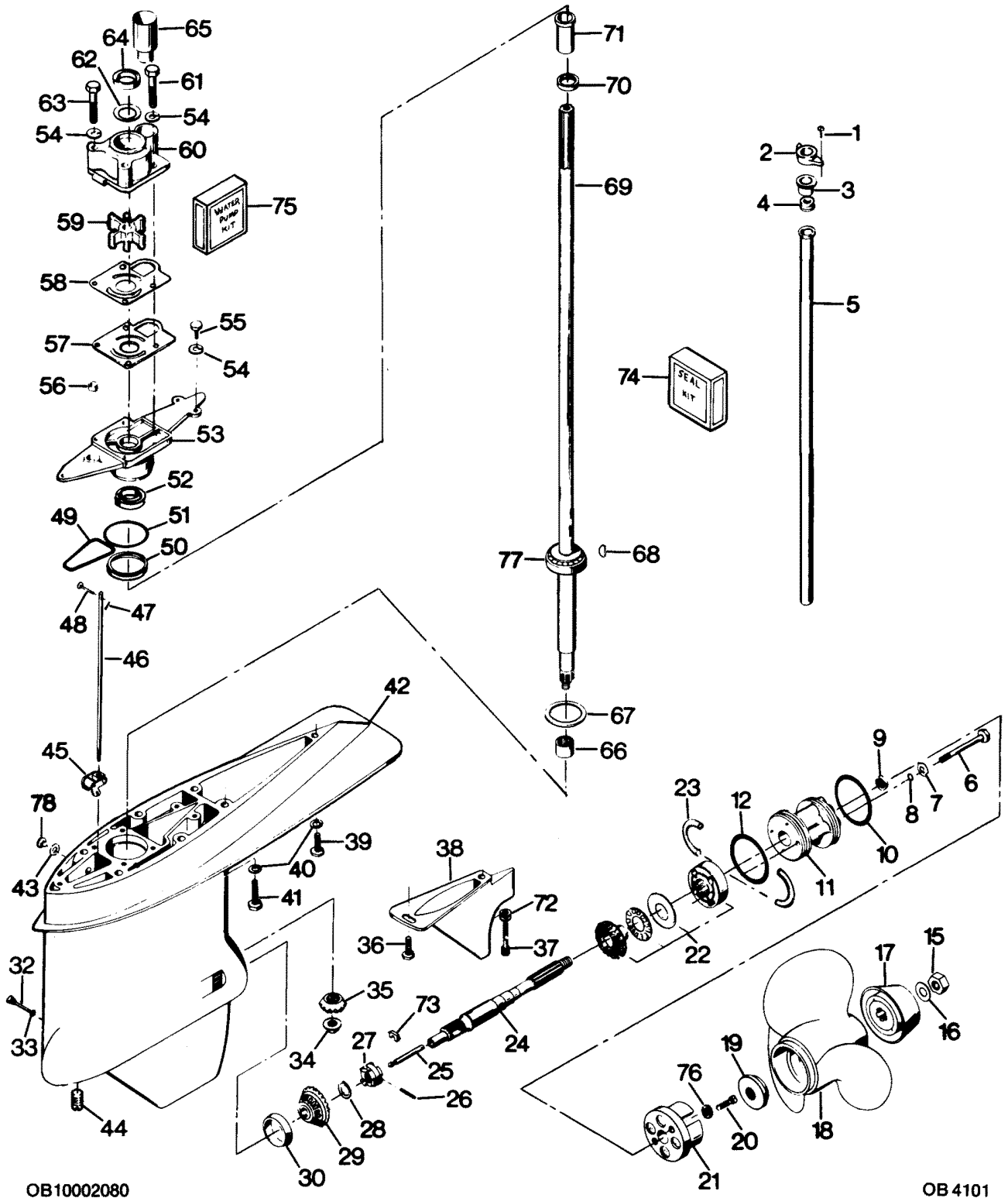
OB 4101

GEAR HOUSING

REF. NO.	PART NO.	SYM.	QTY.	DESCRIPTION
-	F2122		A/R	SPACER, BEVEL GEAR FRONT .054
29	43-818068A2		1	BEVEL GEAR FRONT W/BEARING
30	F523813		1	BEARING CUP
32	F498891		1	PIN, GEAR SHIFT ARM
33	F498618		1	SEAL
34	F523188		1	NUT, BEVEL PINION RETAINING
35	43-817854A2		1	BEVEL PINION GEAR W/ILLUS. 50 AND SHIMS ORIGINAL FORCE P/N A 523266-2
36	F438930		1	RETAINER, SNOOT
37	F1994		1	HEX SOCKET HD CAP SCREW, 5/16 - 18 X 1
38	F523116-1		1	EXHAUST SNOOT
39	F1858		1	HEX CAP SCREW, 5/16 - 18 X 1
40	F8096		7	SPRING LOCKWASHER
41	F1491		6	HEX HD SCREW, 5/16 - 18 X 3/4
42	FA523054		1	GEAR HOUSING W/DRIVESHAFT BEARING LOWER ILLUS. 30, 31, 43 AND 44
43	F8077		2	WASHER, GEAR HOUSING PLUG
44	FA523109		1	PLUG, GEAR HOUSING
45	FA84621-1		1	COUPLING, GEAR SHIFT ARM W/BUSHING
46	F523705		1	GEAR SHIFT ROD LOWER
47	F1015		1	COTTER PIN
48	F85372		1	PIN, GEAR SHIFT ROD LOWER
49	F523555		1	SEAL, O-RING, GEAR HOUSING COVER
50	F523961		1	CRUSH RING
51	F74305		1	SEAL, DRIVESHAFT BEARING CAGE
52	F506118		1	SEAL, DRIVESHAFT
53	F2A550706		1	GEAR HOUSING COVER W/ILLUS. 52
54	F8083		7	SPRING LOCKWASHER
55	F1999		3	HEX CAP SCREW, 1/4 - 20 X 7/8 S.S.
56	F338618-1		1	SEAL, GEAR SHIFT ROD
57	F523031		1	GASKET, WATER PUMP
58	F523562		1	WATER PUMP BACK PLATE
59	F523065-1		1	WATER PUMP IMPELLER
60	46-817853A1		1	WATER PUMP BODY W/ILLUS. 62, 64 AND 65 ORIGINAL FORCE P/N A 523060-1
61	F1990		2	HEX CAP SCREW, 1/4 - 20 X 1-5/8 S.S.
62	F480388		1	DISC, WATER PUMP LOCATING
63	F1425		2	HEX CAP SCREW, 1/4 - 20 X 2-5/8 S.S.
64	F351307		1	SEAL, WATER PUMP
65	FA523735		1	SEAL, INLET WATERLINE, LOWER W/LITERATURE
66	F523057		1	BEARING, DRIVESHAFT LOWER
67	F9106		A/R	SHIM, DRIVESHAFT BEARING, UPPER .003 - BRASS
-	F9095		A/R	SHIM, DRIVESHAFT BEARING, UPPER .005 - SILVER
-	F9097		A/R	SHIM, DRIVESHAFT BEARING, UPPER .010 - BLACK

CONTINUED ON NEXT PAGE ➡

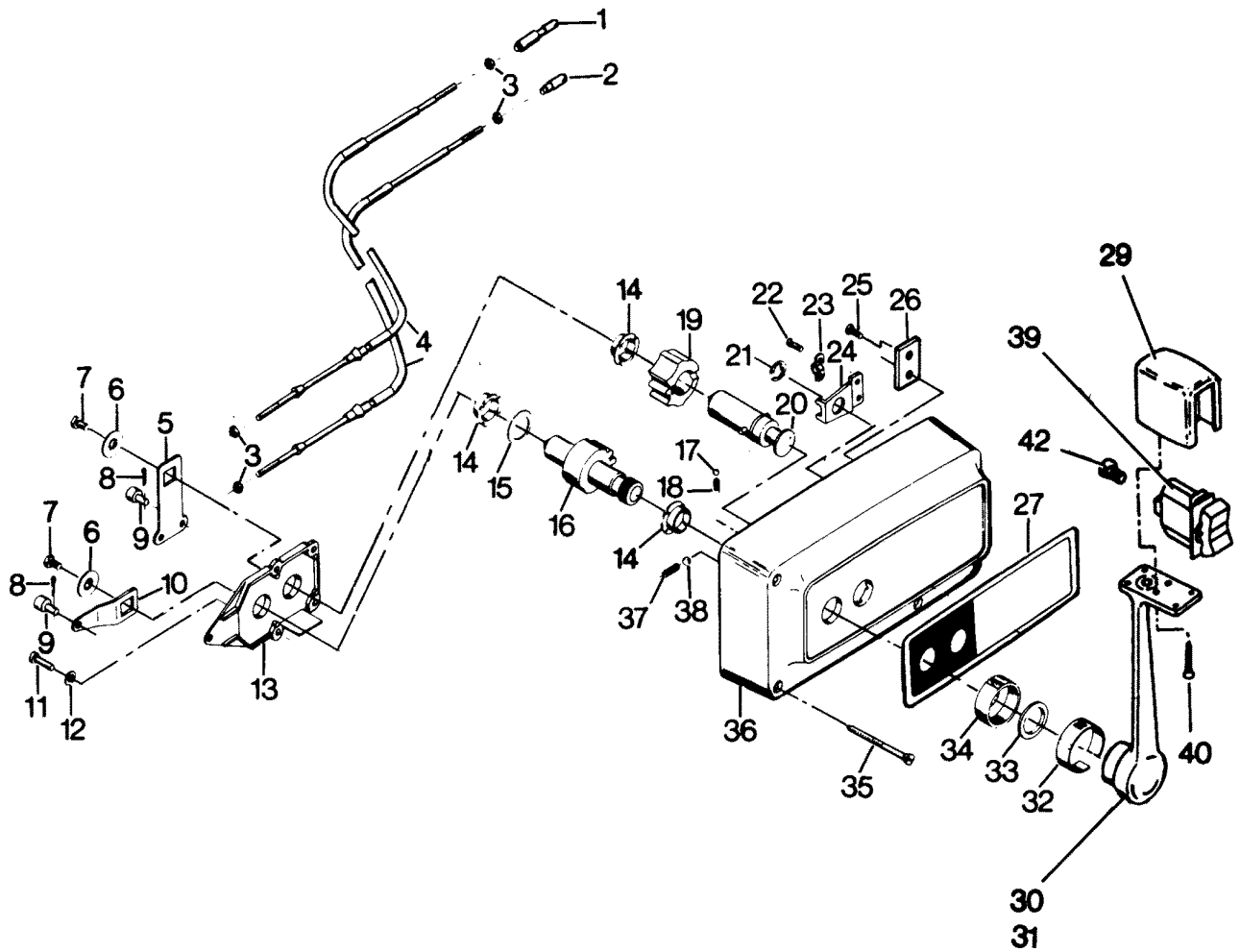
GEAR HOUSING



GEAR HOUSING

REF. NO.	PART NO.	SYM.	QTY.	DESCRIPTION
68	F523498		1	DRIVE KEY, WATER PUMP
69	45-817967A6		1	DRIVESHAFT W/BEARING ILLUS. 50, 67 AND LITERATURE (20 INCH MODELS) ORIGINAL FORCE P/N K 616128-2
-	45-817961A6		1	DRIVESHAFT W/BEARING ILLUS. 50, 67 AND LITERATURE (25 INCH MODELS) ORIGINAL FORCE P/N K 500128-4
70	F438271		1	RETAINER, CRANKSHAFT SPLINE SEAL
71	F438129		1	SEAL, DRIVESHAFT SPLINE
72	F1856		2	PLAIN WASHER
73	F90619-2		1	YOKE
74	FK1063-2		1	SEAL KIT - INCLUDES ITEMS MARKED WITH A *
-	F50342-1		4	BEARING CAGE BOLT SEAL
-	F506118		1	PROPELLER SHAFT SEAL
-	F24278		1	PROPELLER SHAFT SPOOL SEAL
-	F84305		1	PROPELLER SHAFT SPOOLS SEAL
-	F498618		1	GEAR SHIFT ARM PIN SEAL
-	F8077		3	WASHER
-	F523555		1	GEAR HOUSING COVER SEAL
-	F74305		1	GEAR HOUSING COVER SEAL
-	F84307-1		1	DRIVE SHAFT SEAL
-	F338618-1		1	GEAR SHIFT ROD SEAL
75	FK1069		1	WATER PUMP KIT - INCLUDES ITEMS MARKED WITH A **
-	F1425		2	HEX CAP SCREW, 1/4 - 20 X 5/8 S.S.
-	F1990		2	HEX CAP SCREW, 1/4 - 20 X 1-5/8 S.S.
-	F8083		4	SPRING LOCKWASHER
-	F523031		1	GASKET, WATER PUMP
-	F523065-1		1	IMPELLER
-	F523498		1	KEY
-	F523562		1	PLATE, WATER PUMP
-	46-817853A1		1	WATER PUMP W/ILLUS. 62, 64 AND 65 ORIGINAL FORCE P/N A 523060-1
76	F8083		2	LOCKWASHER
77	F522056		1	BEARING
-	FC664054		1	GEAR HOUSING COMPLETE. INCLUDES ALL ITEMS MARKED WITH AN ASTERISK (*). (20 INCH MODELS)
-	FC660054		0	GEAR HOUSING COMPLETE. INCLUDES ALL ITEMS MARKED WITH AN ASTERISK (*). (25 INCH MODELS)
78	F50109		2	PLUG

REMOTE CONTROL

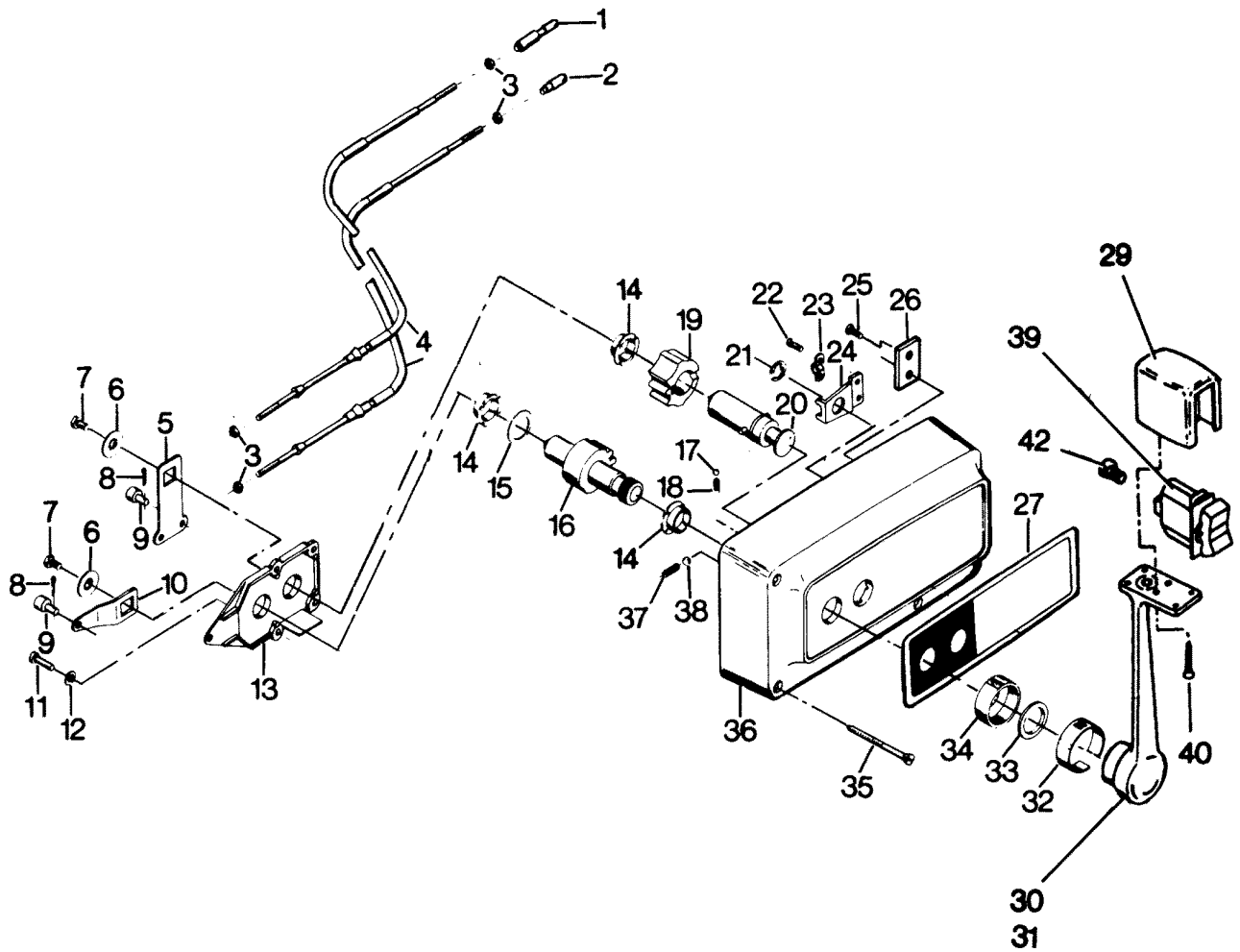


REMOTE CONTROL

REF. NO.	PART NO.	SYM.	QTY.	DESCRIPTION
1	FA58976-1		1	CONNECTOR, THROTTLE CABLE
-	F654976		1	CONNECTOR, THROTTLE CABLE (BAYLINER MODELS)
2	F58685-2		1	CONNECTOR, SHIFT CABLE
3	F1513		4	HEX NUT
4	F195/___		1	REMOTE CONTROL CABLE (SPECIFY LENGTH) ACCESSORY ITEM (2 PER SET)
5	F17019		1	CLUTCH ARM
6	F17036		2	INTERNAL TOOTH LOCKWASHER
7	F17155		2	HEX BOLT, 1/4 - 28 X 1/2
8	F17149		2	COTTER PIN
9	F17016		2	CABLE TERMINAL
10	F17014		1	THROTTLE ARM
11	F17013		2	FILL HD SCREW, 1/4 - 20 X 1/2
12	F8061		2	INTERNAL TOOTH LOCKWASHER
13	F17012		1	RETAINING PLATE
14	F17009		3	BEARING
15	F17011		1	BOWED WASHER
16	F17010-1		1	THROTTLE GEAR
17	F17111		1	DETENT BALL
18	F17006		1	DETENT SPRING
19	F17021		1	CLUTCH GEAR
20	F17100		1	CLUTCH SHAFT
21	F17092		1	SNAP RING
22	F17071		2	FILL HD SCREW, 10 - 24 X 5/16
23	F154317		1	CABLE CLAMP
24	F17026		1	SWIVEL
25	F17141		2	ROUND HD SCREW, 10 - 24 X 3/8
26	F17153		1	RETAINER PLATE
27	F580892-2		1	DECAL
29	F448543		1	KNOB (FORCE MODELS)
30	F448611-1		1	LEVER (FORCE MODELS)
31	F455690		1	SET SCREW
32	F449894		1	INDICATOR
33	F17105		1	FELT WASHER
34	F17106		1	COLLAR
35	F17154		3	WOOD SCREW
37	F17157		1	DETENT SPRING
38	F17082-1		1	DETENT BALL
39	F455449		1	SWITCH, TRIM (FORCE MODEL)
40	F1461		2	SCREW #6 X 7/8
41	F448446		1	CLAMP, TRIM SWITCH CABLE

CONTINUED ON NEXT PAGE ➡

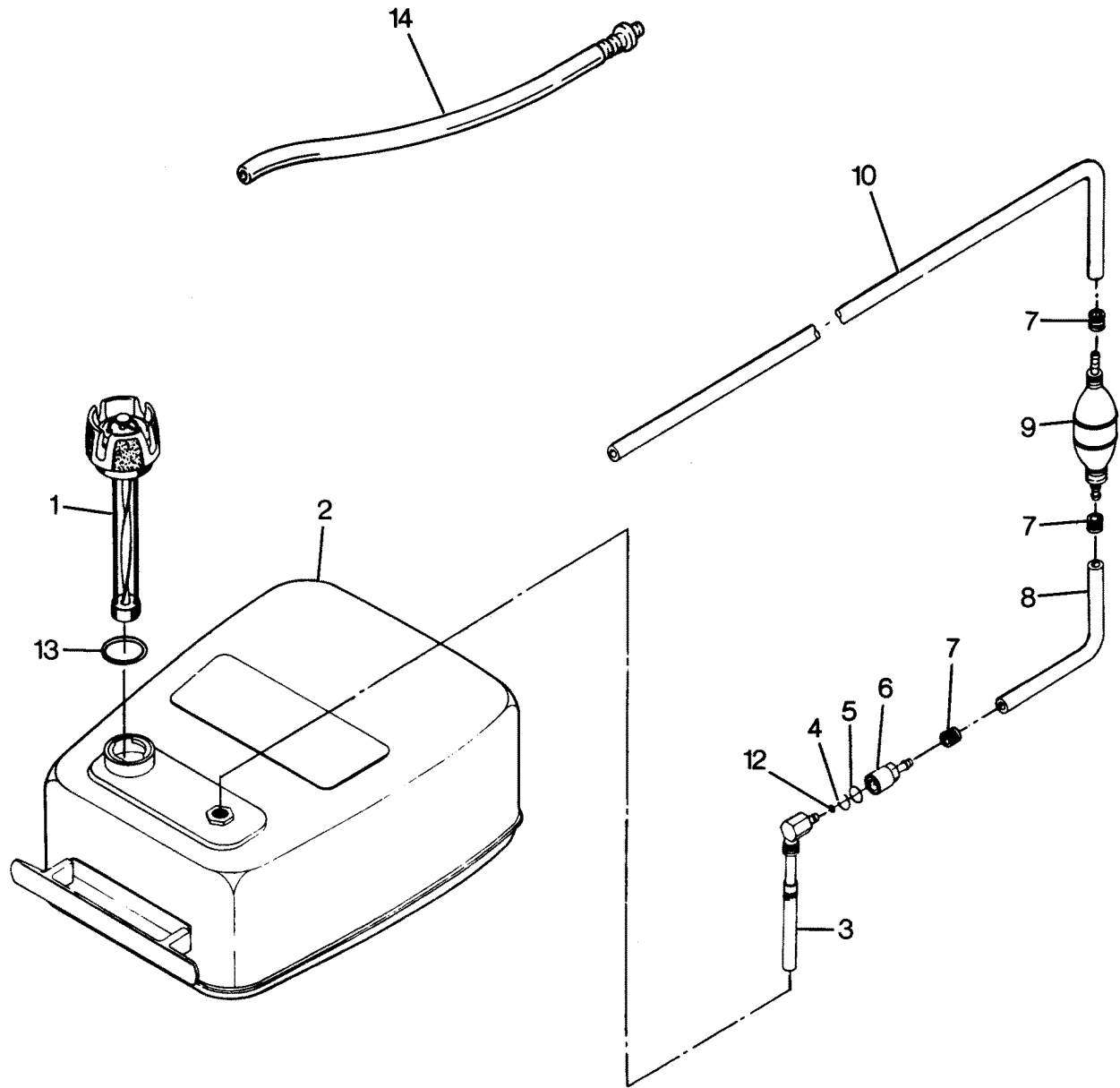
REMOTE CONTROL



REMOTE CONTROL

REF. NO.	PART NO.	SYM.	QTY.	DESCRIPTION
-	F1280		2	PAN HD SCREW, 8 - 32 X 1/4 (TERMINAL BOARD) (NOT SHOWN)
-	FK17156		1	BAG ASSEMBLY (NOT SHOWN). INCLUDES ITEMS MARKED WITH AN ANTERISK (*).
42	F1280		3	PAN HD SCREW, 8 - 32 X 1/4
-	FA551611		1	HANDLE W/SWITCH AND CABLE. (NOT SHOWN)
-	F500843		1	CABLE (FORCE MODEL) (NOT SHOWN)

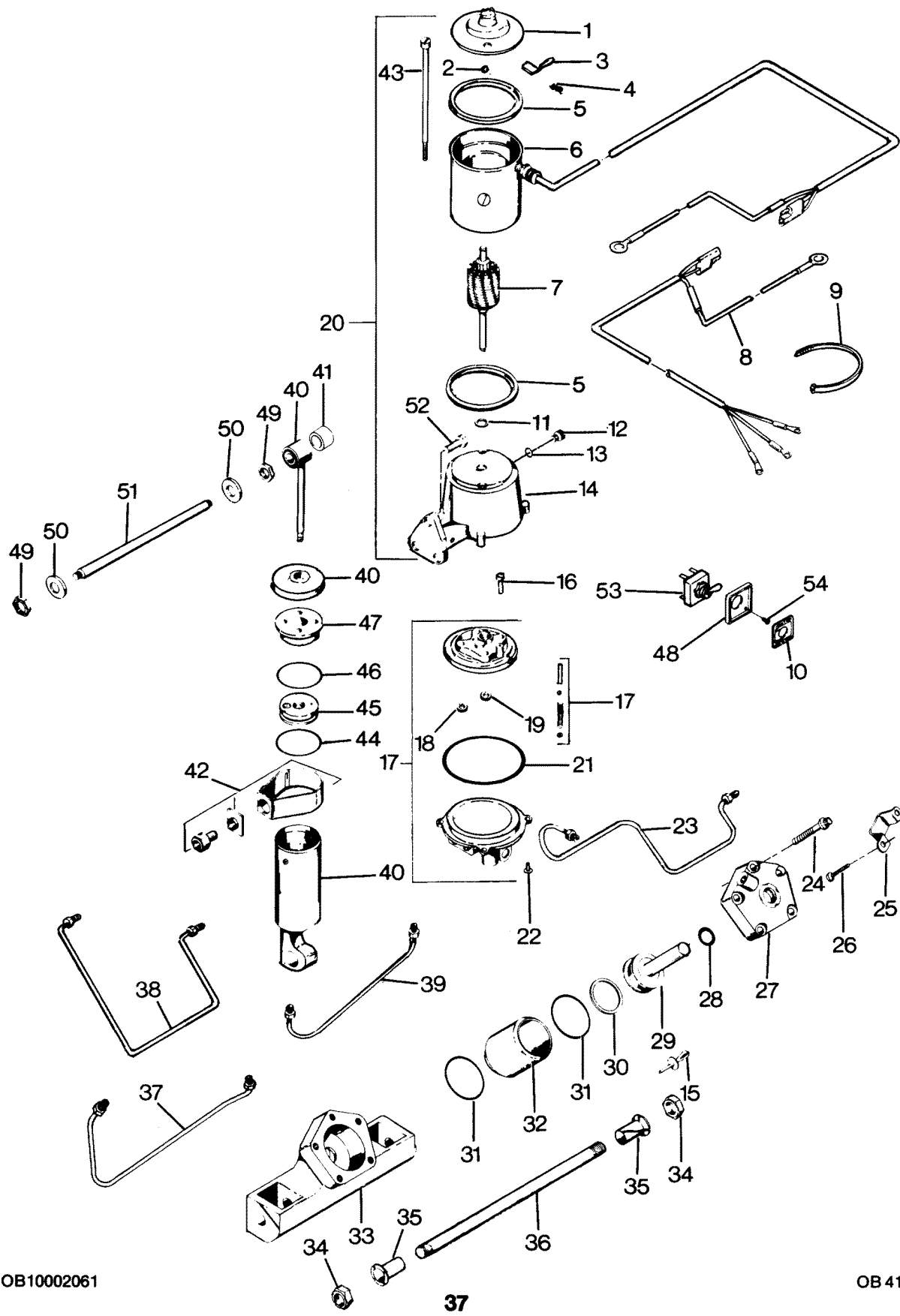
FUEL TANK AND LINE



FUEL TANK AND LINE

REF. NO.	PART NO.	SYM.	QTY.	DESCRIPTION
1	F409251-1		1	GAUGE CAP
2	F5H026-1		1	FUEL TANK (ACCESSORY ITEM W/ILLUS. 1 AND 3)
3	F485755-1		1	FUEL TANK ADAPTER
4	F17816		1	SEAL, FUEL LINE COUPLER (LARGE)
5	F17815		1	SEAL, FUEL LINE COUPLER (SMALL)
6	F197787-3		1	FUEL LINE COUPLER
7	F298788		3	FERRULE
8	FA84754-1		1	FUEL LINE SHORT W/FERRULES
9	89396A38		1	PRIME BULB
10	32-817738A1		1	FUEL LINE LONG W/ILLUS. 7 AND 11 ORIGINAL FORCE P/N A 197752-1
11	F97772		1	FUEL LINE CLAMP
12	F17817		1	SEAL, FUEL TANK ADAPTER
13	F17818		1	GASKET
14	FA612754		1	FUEL LINE, SHORT (BAYLINER MODELS)
-	FS409752		1	FUEL LINE COMPLETE (FORCE MODELS). INCLUDES ALL ITEMS MARKED WITH AN ASTERISK (*).
-	FA630752		1	FUEL LINE COMPLETE (BAYLINER MODELS). INCLUDES ALL ITEMS MARKED WITH AN ASTERISK (*).

POWER TRIM UNIT



OB10002061

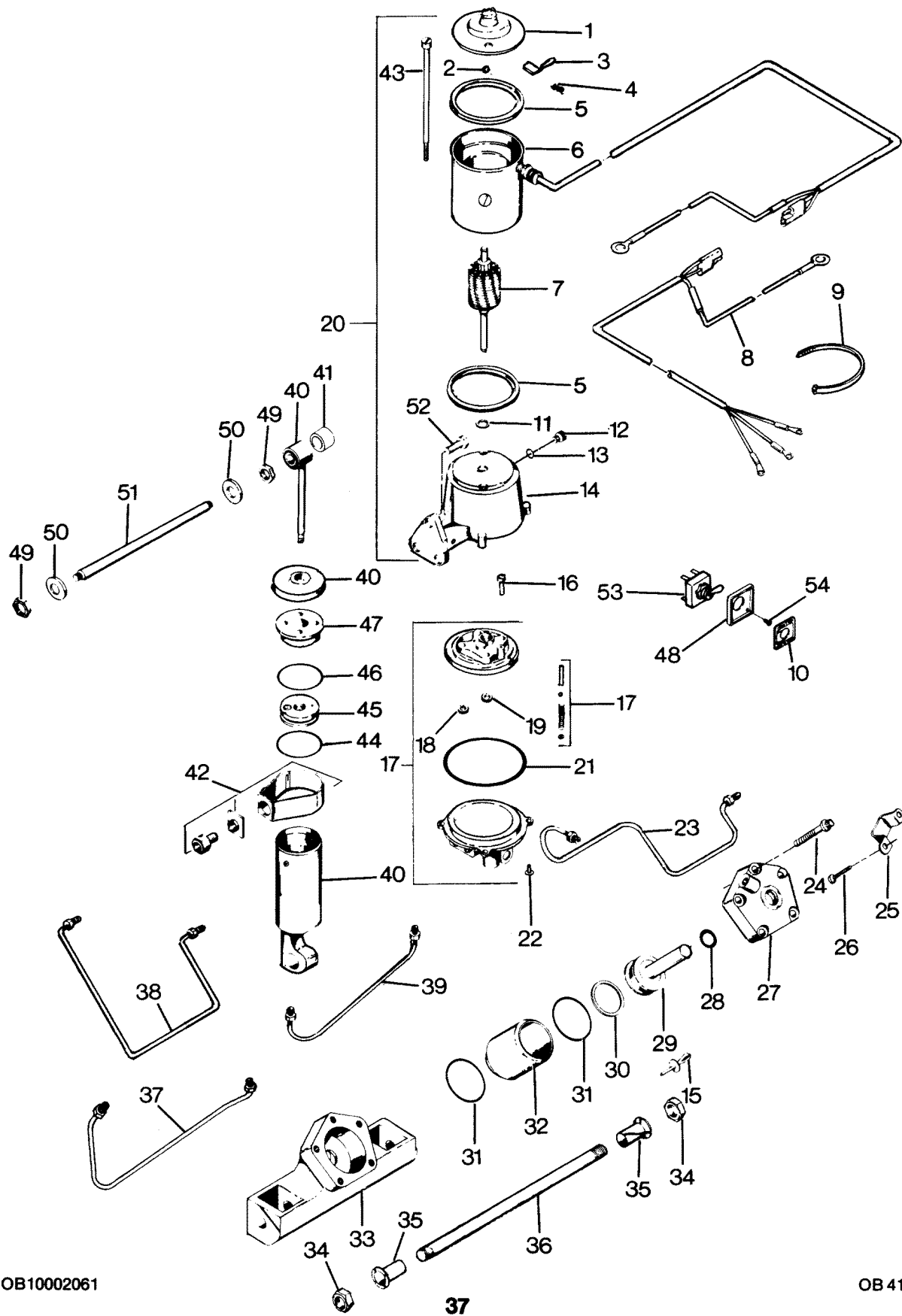
OB 4101

POWER TRIM UNIT

REF. NO.	PART NO.	SYM.	QTY.	DESCRIPTION
1	F17543		1	HEAD ASSEMBLY, COMMUTATOR END
2	F17539		1	BALL
3	F17504		1	BRUSH SET
4	F17500		1	SPRING SET
5	F17557		2	GASKET
6	F17556		1	FIELD AND FRAME ASSEMBLY
7	F17555		1	ARMATURE
8	F449843		1	CABLE
9	F1877		4	TY-RAP
10	F449181		1	PLATE, TRIM SWITCH
11	F17508		A/R	THRUST WASHER
12	F17518		1	FILLER CAP
13	F17510		1	O-RING
14	F17505		1	RESERVOIR AND BRACKET W/SEAL
15	F1966		1	PLUG, SWIVEL BRACKET
16	F1203		1	HEX CAP SCREW, 1/4 - 20 X 7/8
17	F17564		1	VALVE BODY AND PUMP W/ILLUS. 16, 18, 19 AND 21
18	F17566		1	IDLE GEAR
19	F17565		1	DRIVE GEAR
20	F17563		1	MOTOR AND RESERVOIR
21	F17522		1	O-RING
22	F1310		4	ROUND HD SCREW, 10 - 24 X 5/8
23	F449254		1	HYDRAULIC LINE, TRIM CYLINDER, UPPER
24	F1959		5	SCREW, 1/4 - 20 X 1-3/4, STAINLESS STEEL
25	F449354		1	THRUST BRACKET
26	F1734		2	SCREW AND LOCKWASHER, 1/4 - 20 X 1/2
27	FA449149		1	COVER W/SEALS AND RETAINER
28	F449342		1	SEAL, PISTON SHAFT
29	FA449015		1	PISTON
30	F449278		1	PISTON SEAL
31	F40278		2	SEAL, CYLINDER
32	F449010		1	CYLINDER
33	F449545-2		1	CYLINDER HOUSING
34	F1963		2	NUT, 5/8 - 18
35	F449362		2	BEARING
36	F449632		1	SHAFT
37	F449253-1		1	HYDRAULIC LINE TRIM CYLINDER, LOWER
38	F449758		1	HYDRAULIC LINE, LIFT CYLINDER, UPPER
39	F449754-1		1	HYDRAULIC LINE, LIFT CYLINDER, LOWER
40	FA17559		1	LIFT CYLINDER COMPLETE W/ILLUS. 41
41	F178344		1	BUSHING, SHOCK ABSORBER - UPPER
42	F17577		1	ADAPTER FITTING PACKAGE
43	F17558		1	THRU-BOLT PACKAGE

CONTINUED ON NEXT PAGE ➡

POWER TRIM UNIT



OB10002061

OB 4101

POWER TRIM UNIT

REF. NO.	PART NO.	SYM.	QTY.	DESCRIPTION
44	FA17561-1		1	O-RING W/LITERATURE
45	F17562-1		1	PISTON ASSEMBLY
46	F17528		1	O-RING
47	F17560		1	HEAD ASSEMBLY
48	F413420		1	RETAINER, SWITCH PLATE
49	F1931		2	NUT, 1/2 - 20, STAINLESS STEEL
50	F1960		2	PLAIN WASHER
51	F449889		1	SHAFT, UPPER
52	F1822		3	SCREW, 5/16 - 18 X 7/8, STAINLESS STEEL
53	F299449-4		1	TOGGLE SWITCH
54	F1934		4	FLAT HD THREAD FORMING SCREW 6 X 1/2

SPECIAL TOOLS - TUNE-UP

REF. NO.	PART NO.	SYM.	QTY.	DESCRIPTION
-	FTA2937-1		0	TIMING TOOL TO ADJUST TIMING POINTER.
-	FT8978		0	TIMING LIGHT FOR ADJUSTING IGNITION TIMING.
-	FT8948-1		0	PULLER TO REMOVE FLYWHEEL.

SPECIAL TOOLS - POWER HEAD

REF. NO.	PART NO.	SYM.	QTY.	DESCRIPTION
-	FT2998		0	TORQUE WRENCH (0 - 100 LBS./FT.) TO TORQUE FLYWHEEL NUT.
-	FT2999		0	TORQUE WRENCH (0 - 600 LBS./FT.) TO TORQUE ALL FASTENERS.
-	FT2991		0	CARBON BRUSH TO REMOVE CARBON DEPOSITS FROM POWER HEAD.
-	FT8914		0	SEAL REMOVER TO REMOVE UPPER CRANKSHAFT BEARING CAGE SEAL.
-	FT8903		0	SEAL INSTALLER TO INSTALL UPPER CRANKSHAFT BEARING CAGE SEAL.
-	FT8907		0	DRIVER HANDLE USED WITH T 8903.
-	FT8925		0	SEAL INSTALLER TO INSTALL LOWER CRANKSHAFT SEAL.
-	FT2953		0	SOCKET TO TORQUE CONNECTING ROD SCREWS.
-	FT2990		0	PISTON PIN TOOL TO REMOVE AND INSTALL PISTON PINS.
-	FT2996		0	RING COMPRESSOR TO INSTALL PISTONS IN CYLINDER.
-	FT8926		0	RING EXPANDER TO INSTALL PISTON RINGS.
-	FT1082		0	SNAP RING PLIER TO REMOVE AND INSTALL DISTRIBUTOR RETAINING RING.
-	FT8933		0	LIFTING HOOK TO LIFT ENGINE.
-	FT8900		0	HOSE CLAMP PLIERS TO REMOVE FUEL LINE CLAMP.

SPECIAL TOOLS - GEAR HOUSING

REF. NO.	PART NO.	SYM.	QTY.	DESCRIPTION
-	FT8948-1		0	PULLER TO REMOVE PROPELLER SHAFT SPOOL FROM GEAR HOUSING.
-	FT11209		0	BEARING GUIDE SET TO REMOVE/INSTALL FORWARD BEARING CUP.
-	FT8918		0	BEARING GUIDE SET TO BE USED WITH T 11209 BEARING GUIDE SET.
-	FT11207		0	BEARING CUP REMOVER TO REMOVE FORWARD BEARING CUP IN GEAR HOUSING.
-	FT11205		0	BEARING INSTALLER/REMOVER TO REMOVE AND INSTALL LOWER DRIVESHAFT BEARING.
-	FT11204		0	BEARING CUP INSTALLER TO INSTALL FORWARD BEARING CUP IN GEAR HOUSING.
-	FT8930-1		0	FEELER GAUGE SET TO USE IN SHIMMING LOWER UNIT.
-	FT8957		0	SEAL INSTALLER TO INSTALL SHIFT ROD SEAL.
-	FT8985		0	SEAL INSTALLER TO INSTALL PROPELLER SHAFT SEAL IN SPOOL.
-	FT8925		0	SEAL INSTALLER TO INSTALL DRIVESHAFT SEAL IN GEAR HOUSING COVER.
-	FT3012		0	SEAL INSTALLER TO INSTALL DRIVESHAFT SEAL IN WATER PUMP.
-	FT8997		0	SHIM TOOL TO SHIM LOWER UNIT.
-	FT8901		0	INDICATOR HOLDER USED IN CONJUNCTION WITH T 8997.
-	FT8902		0	DIAL INDICATOR USED IN CONJUNCTION WITH T 8997.
-	FT8907		0	DRIVER HANDLE USED WITH T 11204, T 11205, T 11209.
-	FT8919		0	SPRING PIN PUNCH TO REMOVE CLUTCH SPRING PIN.
-	FT7848		0	TORQUE ADAPTER TO HOLD DRIVESHAFT SPLINE WHILE TORQUING.

SPECIAL TOOLS - TEST EQUIPMENT

REF. NO.	PART NO.	SYM.	QTY.	DESCRIPTION
-	FT2951		0	CIRCUIT TRACER TO TROUBLESHOOT ELECTRICAL SYSTEM.
-	FTK8999		0	TEST WHEEL TO TEST MOTOR IN TEST TANK. ORIGINAL FORCE P/N TA 8999
-	FT8950		0	LEAKAGE TESTER TO TEST LOWER UNIT SEALS FOR LEAKAGE.
-	FT11260		0	SPARK TESTER TO TEST OUTPUT OF IGNITION SYSTEM.
-	FT2938-1		0	CONTINUITY TESTER TO TEST CIRCUITS FOR CONTINUITY.
-	FT11259		0	MULTIMETER TO TEST ELECTRICAL COMPONENTS.

SPECIAL TOOLS - LUBRICANTS AND SEALANTS

REF. NO.	PART NO.	SYM.	QTY.	DESCRIPTION
-	FT2961		0	LUBRICANT - RYKON GREASE #2EP
-	FT2987-1		0	LUBRICANT - ANTI-SEIZE
-	FT8969		0	LUBRICANT - 7 OZ. LPS-1 LUBRICANT
-	FT8955		0	SEALANT - 5 OZ. EC-750 INDUSTRIAL SEALANT
-	FT8983		0	SEALANT - 3 OZ. RTV SEALANT FROM IN PLACE GASKETS
-	FT8936-1		0	SEALANT - 2 CC LOCTITE RETAINING COMPOUND #75
-	FT2962-2		0	SEALANT - 50 CC LOCTITE H, NON-HARDENING GRADE
-	FT2963-2		0	SEALANT - 2 OZ. LOCTITE 271
-	FT8935		0	SEALANT PRIMER LOC QUIC T

ACCESSORIES

REF. NO.	PART NO.	SYM.	QTY.	DESCRIPTION
-	F5H173		0	FLUSHING ADAPTER PERMITS FRESH WATER FLUSHING OF WATER PASSAGES WITH STANDARD GARDEN HOSE.
-	F5H130-1		0	REMOTE CONTROL - SURFACE MOUNT PERMITS REMOTE CONTROL OF THROTTLE AND GEAR SHIFT FROM STARBOARD SIDE OF BOAT.
-	F5H120		0	REMOTE CONTROL BACK PLATE TO PREVENT INTERFERENCE WITH PADDED SIDE OF BOAT.
-	F590		0	REMOTE CONTROL - FLUSH MOUNT FLUSH MOUNT CONTROL UNIT PERMITS REMOTE CONTROL OF THROTTLE AND GEAR SHIFT. MAY BE MOUNTED ON PORT OR STARBOARD SIDE OF BOAT.
-	F5H079		0	SINGLE REMOTE CONTROL BOX PERMITS REMOTE CONTROL OF THROTTLE AND GEAR SHIFT. CONSOLE MOUNTED.
-	F5H080		0	TWIN REMOTE CONTROL BOX PERMITS REMOTE CONTROL OF THROTTLE AND GEAR SHIFT - TWO ENGINES. CONSOLE MOUNTED.
-	F195/___		0	REMOTE CONTROL CABLES CONNECTS REMOTE CONTROL BOX TO THROTTLE AND GEAR SHIFT ON ENGINE. AVAILABLE IN 6 THROUGH 26 FOOT LENGTHS.
-	F5H132		0	REMOTE CONTROL HANDLE TRIM SWITCH HAS POWER TRIM CONTROL SWITCH IN HANDLE. REPLACES STANDARD CONTROL LEVER ON 5H130-1 CONTROL BOX.
-	F5H108		0	STEERING CONNECTOR CLEVIS TYPE FOR BOAT MOUNTED STEERING AND NON-THREADED CABLE END.
-	F5H094		0	STEERING LINK KIT CONNECTS STEERING CABLE TO ENGINE WHEN USING ENGINE MOUNTED STEERING SYSTEM.
-	F5H018		0	DUAL STEERING CONNECTOR PERMITS DUAL ENGINE INSTALLATIONS.
-	F5H019		0	ANTI-CORROSION KIT ELECTRICAL KIT FOR MOUNTING ON BOAT (12V) TO REDUCE CORROSION.
-	F5H025		0	ANTI-CORROSION SACRIFICIAL ANODE KIT USED TO REDUCE CORROSION.
-	F5H043		0	OVERHEAT BUZZER SOUNDS WARNING BUZZER IF ENGINE OVERHEATS.
-	F5H161		0	POWER TRIM INDICATOR INDICATES ENGINE TRIM ANGLE.
-	F5H044		0	TILT STOP KIT LIMITS TILTING ANGLE.
-	F5H068		0	RFI SUPPRESSION KIT PROVIDES RADIO NOISE SUPPRESSION.
-	F5H151		0	SHOCK ABSORBER KIT TO PROVIDE SHOCK PROTECTION WHEN HITTING UNDERWATER OBJECT.
-	F5H081		0	BATTERY CABLE LONGER LENGTH - 15 FEET.
-	F5H157		0	VOLTMETER - FLUSH MOUNT INDICATES BATTERY CONDITION.
-	F5H021		0	EXTENSION CABLE FOR LENGTHENING BATTERY CABLE 6-1/2 FEET.
-	F5H041		0	BATTERY TERMINAL KIT FOR POSITIVE AND NEGATIVE BATTERY POSTS.
-	F5H037		0	CIGAR LIGHTER FOR USE AS CONVENIENCE OUTLET.

CONTINUED ON NEXT PAGE ➡

ACCESSORIES

REF. NO.	PART NO.	SYM.	QTY.	DESCRIPTION
-	5H158		0	FUEL GAUGE FLUSH MOUNT MONITORS FUEL SUPPLY.
-	F5H146		0	HYDRAULIC TILT HYDRAULIC UNIT TO RAISE AND LOWER THE LOWER UNIT WHEN BEACHING OR TRAILERING BOAT.
-	F5H159		0	HOURLY RECORDS ENGINE RUNNING TIME.
-	F5H077		0	IGNITION KEY SWITCH SHORT BARREL WITH KEYS.
-	F5H078		0	IGNITION KEY SWITCH LONG BARREL WITH KEYS.
-	F762		0	REMOTE ELECTRIC CABLE 25 FOOT CABLE FOR LARGE BOATS.
-	F5H070		0	REMOTE ELECTRIC CABLE 21 FOOT CABLE FOR LARGE BOATS.
-	F5H028		0	SENDING UNIT FOR USE WITH 5H158 FUEL GAUGE.
-	F5H156		0	TEMPERATURE GAUGE FLUSH MOUNT MONITORS ENGINE TEMPERATURE. DO NOT USE TEMPERATURE GAUGE AND HEAT LAMP IN SAME INSTALLATION.
-	F5H167		0	TACHOMETER FLUSH MOUNT MONITORS ENGINE R.P.M. TO PROVIDE CHECK OF ENGINE PERFORMANCE.
-	F5H150		0	POWER TRIM ADJUSTS ENGINE TRIM AND TILTS ENGINE.
-	F5H155		0	SPEEDOMETER FLUSH MOUNT MONITORS BOAT SPEED (10 - 65 M.P.H.).
-	F5H154		0	SPEEDOMETER FLUSH MOUNT MONITORS BOAT SPEED (10 - 50 M.P.H.).
-	F5H115		0	TRAILERING TILT LOCK SECURES ENGINE IN HALF TILT POSITION FOR TRAILERING (WITHOUT TRIM AND TILT.)
-	F5H179		0	TRAILERING TILT LOCK SECURES ENGINE IN HALF TILT POSITION FOR TRAILERING (WITH TRIM AND TILT).
-	F5H076		0	SWITCH EXTENSION CABLE - 5 FT. ALLOWS INSTALLATION OF IGNITION SWITCH IN 5H130-1 CONTROL BOX WITH 563 TERMINAL BLOCK.
-	F5H030		0	SWITCH KIT - RUNNING LIGHTS DASH MOUNTED TOGGLE SWITCH.
-	F5H031		0	SWITCH KIT - SPOT LIGHT DASH MOUNTED TOGGLE SWITCH.
-	F5H032		0	SWITCH KIT - WIPER DASH MOUNTED TOGGLE SWITCH.
-	F5H034		0	SWITCH KIT - BILGE PUMP DASH MOUNTED TOGGLE SWITCH.
-	F5H035		0	SWITCH KIT - HORN DASH MOUNTED TOGGLE SWITCH (MOMENTARY).
-	F5H036		0	SWITCH KIT - TACHOMETER TRANSFER DASH MOUNTED TOGGLE SWITCH FOR ONE TACHOMETER ON DUAL ENGINE INSTALLATION.
-	F5H038		0	SWITCH KIT - IGNITION SWITCH TO MOUNT IGNITION SWITCH ON DASH.
-	F5H039		0	SWITCH KIT - INSTRUMENT LIGHT DASH MOUNTED TOGGLE SWITCH.
-	F563		0	TERMINAL BLOCK KIT DOUBLE ROW 10 SECTION TO SIMPLIFY ACCESSORY INSTALLATION.
-	F5H075		0	WIRING HARNESS - IGNITION SWITCH (24") USE WITH 563 TERMINAL BLOCK.
-	F596-		0	US MARINE OUTBOARD OIL SEE NOTE 1

CONTINUED ON NEXT PAGE ➡

ACCESSORIES

REF. NO.	PART NO.	SYM.	QTY.	DESCRIPTION
-	597-		0	US MARINE OUTBOARD GEAR LUBE SEE NOTE 2
-	F5H059		0	US MARINE OUTBOARD MULTI-PURPOSE GREASE LUBRICATES BEARINGS AND OTHER MOVING PARTS. AVAILABLE IN 8 OZ. TUBES AND 12 TUBE CASES.
-	F5H060		0	US MARINE OUTBOARD GREASE GUN USED WITH US MARINE OUTBOARD MULTI-PURPOSE GREASE TUBES FOR PRESSURE FITTINGS.
-	F5H191		0	FORCE BLUE ENAMEL ENGINE TOUCH-UP PAINT IN 13 OZ. AVERAGE SPRAY BOMBS (6 CANS PER CASE).
-	F5H192		0	FORCE BLUE ENAMEL

PARTS INDEX

Part Number	Description	Pg.	Ref. No.	Part Number	Description	Pg.	Ref. No.
5H158	FUEL GAUGE FLUSH MOUNT	54	-	F1461	SCREW #6 X 7/8	39	40
817747--1	BALL JOINT W/STUD	17	23	F1473	NUT, 10 - 24 S.S.	19	18
817747--1	BALL JOINT W/STUD	21	25	F1491	HEX HD SCREW, 5/16 - 18 X 3/4	35	41
817782--1	KEY IGNITION - NO LETTER OR STAMPED A	7	19	F1493	PAN HD SCREW 5/16 - 18 X 5/8 SS	3	15
817783A5	SWIVEL BRACKET	31	47	F1504	FILL HD. SCREW, 1/4 - 20 X 1-1/4	21	13
817788A3	SPACER PLATE	23	70	F1504	FILL HD. SCREW, 1/4 - 20 X 1-1/4	25	91
817883--1	KEY IGNITION - STAMPED B	7	-	F1504	SLOTTED FIL SCREW, 1/4 - 20 X 1-1/4 S.S.	19	8
817891--1	KEY IGNITION - STAMPED C	7	-	F1513	HEX NUT	39	3
817928--1	KEY IGNITION - STAMPED D	7	-	F1513	HEX NUT, 10 - 32	7	26
817929--1	KEY IGNITION - STAMPED E	7	-	F1513	HEX NUT, 10 - 32	17	27
817960A2	TOWERSHAFT	21	22	F1513	HEX NUT, 10 - 32	23	42
89396A38	PRIME BULB	43	9	F1515	HEX NUT 5/16 - 18	31	70
F1009	HEX HD. SCREW, 3/8 - 16 X 2-3/4	21	3	F1515	HEX NUT, 5/16 - 18	7	29
F1014	COTTER PIN	13	11	F1515	HEX NUT, S.S., 5/16 - 18	7	25
F1015	COTTER PIN	35	47	F15152	LOCKWASHER	11	18
F1034	PAN HD. SCREW, 1/4 - 20 X 1-3/8	13	33	F15158	SCREW, BRUSH HOLDER	11	15
F1052	FILL HD. SCREW, 1/4 - 20 X 1	21	28	F15160	INSULATOR WASHER	11	16
F1059	FILL HD SCREW, 6 - 32 X 1/4	13	15	F15161	PLAIN WASHER	11	17
F1064	FILL HD. SCREW, 8 - 32 X 3/8	13	37	F15162	NUT	11	20
F1107	SLOTTED FILL HD. CAP SCREW, 1/4 - 20 X 3/4	25	92	F15164	BRUSH KIT	11	7
F1112	FILL HD SCREW, 1/4 - 20 X 7/8	33	20	F15174	DRIVE KIT	11	1
F1203	HEX CAP SCREW 1/4 - 20 X 7/8	5	40	F15175	DRIVE ASSEMBLY PINION	11	2
F1203	HEX CAP SCREW, 1/4 - 20 X 7/8	45	16	F15176	CAP STARTER DRIVE	11	3
F1236	SCREW, 1/4 - 20 X 1/2	17	22	F15177	ARMATURE	11	4
F1238	HEX CAP SCREW 1/4 - 20 X 3/4	5	41	F15178	THRU BOLT PACKAGE	11	5
F1253	HEX SOCKET HD. CAP SCREW, 3/8 - 16 X 2	21	9	F15179	COMMUTATOR	11	6
F1263	HEX SOCKET HD CAP SCREWS, 5/16 - 18 X 9/16	29	11	F1532	HEX HD. SCREW, 1/4 - 20 X 1	17	20
F1280	PAN HD SCREW, 8 - 32 X 1/4	29	19	F1532	HEX HD. SCREW, 1/4 - 20 X 1	21	33
F1280	PAN HD SCREW, 8 - 32 X 1/4	41	42	F1532	HEX HD. SCREW, 1/4 - 20 X 1	25	106
F1280	PAN HD SCREW, 8 - 32 X 1/4 (TERMINAL BOARD) (NOT SHOWN)	41	-	F1540	HEX HD SCREW, 1/4 - 20 X 5/8 GR. 5	19	21
F1280	SLOTTED PAN HD SCREW, 8 - 32 X 1/4	7	15	F154317	CABLE CLAMP	39	23
F1286	PAN HD. SCREW, 4 - 40 X 3/16	21	37	F1550	SLOTTED PAN HD. SCREW #12 - 24 X 1	9	60
F1303	PAN HD SCREW, 8 - 32 X 3/4	9	70	F1556	FILL HD. SCREW, W/LOCKWASHER, 10 - 24 X 3/8	21	29
F1310	ROUND HD SCREW, 10 - 24 X 5/8	45	22	F1641	LOCK NUT	11	8
F1341	HEX NUT, 1/4 - 20	21	27	F1645	RD HD SCREW, 6 - 32 X 1/4	7	5
F1341	NUT	11	19	F1647	HEX NUT, 8 - 32	7	8
F1341	NUT, 1/4 - 20	9	53	F1648	PAN HD SCREW, 10 - 24 X 3/4	7	20
F1346	HEX NUT	17	29	F1648	SCREW, 10 - 24 X 3/4 PAN HD SCREW	19	13
F1346	HEX NUT	29	28	F1648	SCREW, FUEL SEDIMENT BOWL	19	6
F1425	HEX CAP SCREW, 1/4 - 20 X 2-5/8 S.S.	35	63	F1664	SPRING PIN	29	10
				F1693	TIE BAR RETAINER NUT	13	36
				F1696	HEX BOLT, 5/16 - 18 X 1-3/4	29	23
				F1699	HEX BOLT, 1/4 - 20 X 1-1/8	25	94
				F1699	HEX HD. SCREW, 1/4 - 20 X 1-1/8	21	8

PARTS INDEX

Part Number	Description	Pg.	Ref. No.	Part Number	Description	Pg.	Ref. No.
F17006	DETENT SPRING	39	18	F1755	ROUND HD. SCREW		
F17009	BEARING	39	14		W/LOCKWASHER 6 - 32 X		
F17010-1	THROTTLE GEAR	39	16		1/4	17	38
F17011	BOWED WASHER	39	15	F17555	ARMATURE	45	7
F17012	RETAINING PLATE	39	13	F17556	FIELD AND FRAME		
F17013	FILL HD SCREW, 1/4 - 20 X				ASSEMBLY	45	6
	1/2	39	11	F17557	GASKET	45	5
F17014	THROTTLE ARM	39	10	F17558	THRU-BOLT PACKAGE	45	43
F17016	CABLE TERMINAL	39	9	F17560	HEAD ASSEMBLY	47	47
F17019	CLUTCH ARM	39	5	F17562-1	PISTON ASSEMBLY	47	45
F17021	CLUTCH GEAR	39	19	F17563	MOTOR AND RESERVOIR	45	20
F17026	SWIVEL	39	24	F17564	VALVE BODY AND PUMP	45	17
F1703	LOCKWASHER	23	68	F17565	DRIVE GEAR	45	19
F1703	SPRING LOCKWASHER	31	53	F17566	IDLE GEAR	45	18
F17036	INTERNAL TOOTH			F17577	ADAPTER FITTING		
	LOCKWASHER	39	6		PACKAGE	45	42
F1704	INTERNAL TOOTH			F1760	SLOTTED PAN HD SCREW,		
	LOCKWASHER	7	4		10 - 24 X 3/8	9	40
F1705	HEX CAP SCREW, 1/4 - 20 X			F177330	VALVE, FUEL PUMP	19	24
	3/4 S.S.	33	1	F178145-4	MOTOR LEG COVER REAR	29	9
F1705	HEX WASHER HD. M			F17815	SEAL, FUEL LINE COUPLER		
	SCREW 1/4 - 20 X 3/4	9	68		(SMALL)	43	5
F17071	FILL HD SCREW, 10 - 24 X			F17816	SEAL, FUEL LINE COUPLER		
	5/16	39	22		(LARGE)	43	4
F17082-1	DETENT BALL	39	38	F178168-1	CARBURETOR ADAPTER		
F17092	SNAP RING	39	21		GASKET	25	-
F1710	PLAIN WASHER	29	33	F178168-1	GASKET, CARBURETOR		
F17100	CLUTCH SHAFT	39	20		ADAPTER	17	35
F17105	FELT WASHER	39	33	F17817	SEAL, FUEL TANK ADAPTER	43	12
F17106	COLLAR	39	34	F17818	GASKET	43	13
F1711	SPRING BOWED WASHER	29	41	F178323	SEAL, MOTOR LEG	29	13
F17111	DETENT BALL	39	17	F178344	BUSHING, SHOCK		
F17113	SPRING PIN	33	26		ABSORBER - UPPER	45	41
F17141	ROUND HD SCREW, 10 - 24			F178404-1	DEFLECTOR PLATE	17	36
	X 3/8	39	25	F178754-1	FUEL LINE	13	8
F17149	COTTER PIN	39	8	F1788	STOP NUT	33	15
F17153	RETAINER PLATE	39	26	F1804	STOP NUT	23	75
F17154	WOOD SCREW	39	35	F18160-3	CYLINDER DRAIN REED	23	40
F17155	HEX BOLT, 1/4 - 28 X 1/2	39	7	F1822	HEX BOLT, 5/16 - 18 X 7/8	31	58
F17157	DETENT SPRING	39	37	F1822	SCREW, 5/16 - 18 X 7/8,		
F1727	PLASTIC RIVET	21	24		STAINLESS STEEL	47	52
F1729	PLUG	29	8	F1829	FILL HD. SCREW, 10 - 24 X		
F1733	PAN HD SCREW, 10 - 24 X				7/8	21	23
	9/16	3	27	F1831	FLAT HD SCREW, 1/4 - 20 X		
F1734	FILL HD. SCREW, 1/4 - 20 X				5/8	17	42
	1/2	7	12	F1832	NUT, LOCK 1/4 - 20	9	57
F1734	SCREW AND LOCKWASHER,			F1832	STOP NUT, 1/4 - 20	23	62
	1/4 - 20 X 1/2	45	26	F184033-1	SWIVEL, TOP CARBURETOR	13	14
F1741	PAN HD SCREW, 8 X 3/4	9	49	F184122-1	SEAL	25	-
F17500	SPRING SET	45	4	F184122-1	SEAL, PARTING LINE	23	45
F17504	BRUSH SET	45	3	F184579	O-RING SEAL	13	13
F17505	RESERVOIR AND BRACKET			F1854	HEX CAP SCREW 1/4 - 20 X		
	W/SEAL	45	14		5/8	5	39
F17508	THRUST WASHER	45	11	F1854	HEX HD. CAP SCREW, 1/4 -		
F17510	O-RING	45	13		20 X 5/8	11	12
F17518	FILLER CAP	45	12	F1856	PLAIN WASHER	37	72
F17522	O-RING	45	21	F1857	HEX CAP SCREW, 5/16 - 18		
F17528	O-RING	47	46		X 5/8	3	10
F17539	BALL	45	2	F1857	HEX CAP SCREW, 5/16 - 18		
					X 5/8	3	30

PARTS INDEX

Part Number	Description	Pg.	Ref. No.	Part Number	Description	Pg.	Ref. No.
F1858	HEX CAP SCREW, 5/16 - 18 X 1	3	29	F195/___	REMOTE CONTROL CABLES	53	-
F1858	HEX CAP SCREW, 5/16 - 18 X 1	35	39	F1950	HEX CAP SCREW, 10 - 24 X 5/8	25	98
F1860	SLOTTED BINDING HEAD SCREW, 6 - 32 X 1/4	19	25	F1959	SCREW, 1/4 - 20 X 1-3/4, STAINLESS STEEL	45	24
F1864	HEX CAP SCREW, 1/4 - 20 X 3/4	23	73	F1960	PLAIN WASHER	47	50
F1864	HEX HD. SCREW, 1/4 - 20 X 3/4	21	11	F1963	NUT, 5/8 - 18	45	34
F1864	HEX SLOT HD SCREW, 1/4 - 20 X 3/4	29	3	F1966	PLUG, SWIVEL BRACKET	45	15
F1866	PLAIN WASHER	33	16	F1968	FLYWHEEL NUT	27	20
F1869	HEX CAP SCREW, 3/8 - 16 X 1-1/4	23	67	F1968	HEX NUT, 3/4 - 16	9	62
F1871	HEX HD SCREW, 3/8 - 16 X 3/4	31	54	F1975	LOCKWASHER	7	18
F1872	HEX CAP SCREW, 3/8 - 16 X 1-3/4	21	12	F1975	LOCKWASHER	19	14
F1873	HEX CAP SCREW, 3/8 - 16 X 3	21	7	F197787-3	FUEL LINE COUPLER	43	6
F1874	HEX HD. SCREW, 3/8 - 16 X 1/8	21	2	F1987	PLAIN WASHER	23	81
F1877	TY-RAP	45	9	F1987	PLAIN WASHER	31	65
F1877	TY-RAP (NOT SHOWN)	9	64	F1990	HEX CAP SCREW, 1/4 - 20 X 1-5/8 S.S.	35	61
F1885	HEX BOLTS. S.S., 5/16 - 18 X 4-1/4	23	55	F1990	HEX CAP SCREW, 1/4 - 20 X 1-5/8 S.S.	37	-
F1885	HEX CAP SCREW, 5/16 - 18 X 4-1/4 S.S.	33	6	F1994	HEX SOCKET HD CAP SCREW, 5/16 - 18 X 1	35	37
F1904	PLAIN WASHER	29	27	F1997	STOP NUT, 8 - 32	15	47
F1907	PLAIN WASHER S.S.	33	7	F1999	HEX CAP SCREW, 1/4 - 20 X 7/8 S.S.	35	55
F19109	PLUG	23	78	F2000	HEX CAP SCREW, 5/16 - 18 X 3/4	25	104
F1912	HEX HD SCREW, 10 - 24 X 1/2	31	51	F2008	HEX CAP SCREW, 1/4 - 20 X 7/8	25	82
F1922	HEX CAP SCREW, 1/4 - 20 X 5/8	11	10	F2008	HEX HD SCREW, 1/4 - 20 X 7/8	17	43
F1922	HEX CAP SCREW, 1/4 - 20 X 5/8	23	52	F2008	HEX HD. M. SC., 1/4 - 20 X 7/8	9	44
F1931	NUT, 1/2 - 20, STAINLESS STEEL	47	49	F2008	HEX HD. SCREW, 1/4 - 20 X 7/8	21	5
F1934	FLAT HD SCREW, 6 X 1/2	7	21	F2008	HEX HD. SCREW, 1/4 - 20 X 7/8	21	6
F1934	FLAT HD THREAD FORMING SCREW 6 X 1/2	47	54	F2008	SLOTTED PAN HD SCREW 1/4 - 20 X 7/8	9	47
F1936	SPACER, BEVEL GEAR FRONT .059	33	28	F2012	WASHER	3	21
F1937	SPACER, BEVEL GEAR FRONT .062	33	-	F2014	PLAIN WASHER	31	67
F1938	SPACER, BEVEL GEAR FRONT .065	33	-	F2015	HEX NUT, 1/4 - 28	21	17
F1939	SPACER, BEVEL GEAR FRONT .068	33	-	F2016	SLOTTED FILL HD SCREW, 6 - 32 X 7/8	7	1
F1940	SPACER, BEVEL GEAR FRONT .071	33	-	F2030	HEX HD SCREW, 1/4 - 20 X 1-1/4	31	55
F1941	SPACER, BEVEL GEAR FRONT .074	33	-	F2033	GROOVE PIN	13	3
F1942	SPACER, BEVEL GEAR FRONT .077	33	-	F2042	PLAIN WASHER	23	59
F195/___	REMOTE CONTROL CABLE (SPECIFY LENGTH) ACCESSORY ITEM	39	4	F2047	WAVE WASHER	3	35
				F2049	HEX CAP SCREW, 5/16 - 18 X 2-5/8	23	80
				F2067	PLASTIC CAP	27	22
				F2081	HEX SOC. HD SCREW, 1/4 - 20 X 3/4	27	18
				F2088	FASTENER	3	14
				F2089	SLOTTED PAN HD. M. SCREW, 10 - 24 X 5/16	23	60
				F2090	PLUG	23	71
				F2093	STOP NUT, 3/8 - 24	29	15
				F2106	LOCKWASHER	9	55
				F2108	LOCK NUT	31	64

PARTS INDEX

Part Number	Description	Pg.	Ref. No.	Part Number	Description	Pg.	Ref. No.
F2108	STOP NUT, 5/16 - 18	23	61	F351307	SEAL, WATER PUMP	35	64
F2113	SPACER, BEVEL GEAR FRONT .080	33	-	F353480	STUD	29	29
F2114	SPACER, BEVEL GEAR FRONT .083	33	-	F369610	BEARING	23	64
F2115	SPACER, BEVEL GEAR FRONT .086	33	-	F369887	SHOULDER SCREW	23	65
F2116	SPACER, BEVEL GEAR FRONT .089	33	-	F369977-1	INTERLOCK ARM	23	63
F2121	SPACER, BEVEL GEAR FRONT .057	33	-	F372151-1	EXHAUST PORT PLATE	25	97
F2122	SPACER, BEVEL GEAR FRONT .054	35	-	F372152-2	EXHAUST PORT COVER	25	95
F2125	HEX HD SCREW, 3/8 - 16 X 3	29	26	F372154-1	EXHAUST PLATE GASKET	25	-
F213274	GREASE FITTING	31	43	F372154-1	GASKET, EXHAUST PORT PLATE	25	96
F2143	HEX SOC. HD SCREW, 1/4 - 20 X 1 S.S.	3	20	F372958	CHOKE BRACKET	17	19
F215962	MOUNT (SHOCK - C.D. UNIT)	7	32	F381896-4	BATTERY CABLE	7	34
F24278	PROPELLER SHAFT SPOOL SEAL	37	-	F391926-1	PLUNGER	13	5
F24278	SEAL, O-RING PROPELLER SHAFT SPOOL	33	10	F3A523158	REED PLATE	17	41
F269319	THROTTLE CAM BEARING	17	26	F40223	GASKET, TRANSFER PORT COVER	19	22
F284659-2	CRANKSHAFT THRUST BEARING, UPPER	27	21	F40223	GASKET, TRANSFER PORT COVER	23	50
F286818	BEARING, LATCH SHAFT	3	33	F40223	TRANSFER PORT COVER GASKET	25	-
F289446-1	CLAMP, REMOTE ELEC. CABLE TO BRACKET	7	11	F40278	SEAL, CYLINDER	45	31
F298788	FERRULE	43	7	F404268	BY-PASS VALVE SPRING	25	101
F299449-4	TOGGLE SWITCH	47	53	F404310	ELBOW, RECIRCULATING	19	19
F2A476757	CYLINDER DRAIN REED PLATE	23	41	F404314	FITTING	23	54
F2A523239	SPOOL, PROPELLER SHAFT BEARING	33	11	F404801	ELBOW, CYLINDER DRAIN UPPER (NOT SHOWN)	21	-
F2A523662	BEVEL GEAR REAR W/BEARING CAGE, SPACER AND BEARING	33	22	F404841	CABLE, HEAT INDICATOR	9	52
F2A550706	GEAR HOUSING COVER	35	53	F405457	PIVOT SCREW	21	31
F2A615144	CRANKSHAFT BEARING CAGE	27	17	F406406	DEFLECTOR PLATE GASKET	25	-
F2A664746	FUEL PUMP COMPLETE	19	-	F406406	GASKET DEFLECTOR PLATE	17	37
F2C664712	ENGINE COVER COMPLETE	3	-	F406471-1	CYLINDER DRAIN COVER	21	35
F307317	CLIP, TERMINAL BLOCK GROUND	7	17	F406754-1	HOSE	23	53
F316579	SEAL, CRANKCASE	27	11	F40689-1	BEARING	23	69
F316599	SEAL, STEERING SUPPORT TUBE	31	44	F407446	CLAMP	7	33
F319908	WIRE, GROUND (C.D.- COIL BRACKET)	9	56	F409251-1	GAUGE CAP	43	1
F322273	STUD	9	75	F413420	RETAINER, SWITCH PLATE	47	48
F333316	THROTTLE ROLLER SHAFT	15	45	F428096	RETAINER, THERMOSWITCH	9	74
F335215	SPACER, PISTON PIN (2 PER PISTON)	27	3	F433209-1	THROTTLE CAM STUD	17	32
F335217-1	BEARING PISTON PIN (26 PER SET)	27	5	F438066	BY-PASS VALVE COVER	25	99
F335654-1	DEFLECTION STOP	3	28	F438129	SEAL, DRIVESHAFT SPLINE	37	71
F338618-1	GEAR SHIFT ROD SEAL	37	-	F438169	BEARING	29	38
F338618-1	SEAL, GEAR SHIFT ROD	35	56	F438271	RETAINER, CRANKSHAFT SPLINE SEAL	37	70
F345683	WIRE, GROUND (RECTIFIER TO STARTER BOLT)	9	51	F438346	SHOCK MOUNT LOWER	31	61
				F438500	BOWL, FUEL SEDIMENT	19	5
				F438617	GASKET, FUEL SEDIMENT BOWL	19	3
				F438653	SCREEN, FUEL PUMP	19	4
				F438668	RETAINER	9	66
				F438747	DIAPHRAGM, FUEL PUMP	19	15
				F438754	FUEL LINE	13	16
				F438754	FUEL LINE, PUMP TO CARBURETOR	19	10
				F438760	GASKET, FUEL PUMP	19	16
				F438801	ELBOW	19	11
				F438930	RETAINER, SNOUT	35	36

PARTS INDEX

Part Number	Description	Pg.	Ref. No.	Part Number	Description	Pg.	Ref. No.
F439736	SEAL, EXHAUST TUBE	31	68	F500133	MOTOR LEG (25 INCH MODELS)	29	-
F440192-1	THROTTLE CAM	17	28	F500244	INLET WATER LINE (25 INCH MODELS)	33	-
F440209	CARBURETOR STUD	17	30	F500615	GEAR SHIFT ROD UPPER (25 INCH MODELS)	31	-
F440254	BALANCE TUBE	17	34	F500843	CABLE (FORCE MODEL) (NOT SHOWN)	41	-
F440906	CARBURETOR GASKET	17	31	F500894	POINTER, TIMING	17	51
F440906	CARBURETOR GASKET	25	-	F50109	PLUG	37	78
F440925	CHOKE ROD	13	4	F50342-1	BEARING CAGE BOLT SEAL	37	-
F441754-1	HOSE, RECIRCULATION	19	27	F50342-1	SEAL, BEARING CAGE BOLTS	33	8
F448446	CLAMP, TRIM SWITCH CABLE	39	41	F506118	PROPELLER SHAFT SEAL	37	-
F448543	KNOB (FORCE MODELS)	39	29	F506118	SEAL, DRIVESHAFT	35	52
F448611-1	LEVER (FORCE MODELS)	39	30	F506118	SEAL, PROPELLER SHAFT	33	9
F449010	CYLINDER	45	32	F510374-1	DECAL, CIRCUIT BREAKER	7	37
F449181	PLATE, TRIM SWITCH	45	10	F510460	CIRCUIT BREAKER	9	38
F449253-1	HYDRAULIC LINE TRIM CYLINDER, LOWER	45	37	F511125-2	TUBE, STEERING SUPPORT	29	42
F449254	HYDRAULIC LINE, TRIM CYLINDER, UPPER	45	23	F511708-1	COVER, CARBURETOR	13	32
F449278	PISTON SEAL	45	30	F522056	BEARING	37	77
F449342	SEAL, PISTON SHAFT	45	28	F523031	GASKET, WATER PUMP	35	57
F449354	THRUST BRACKET	45	25	F523031	GASKET, WATER PUMP	37	-
F449362	BEARING	29	35	F523057	BEARING, DRIVESHAFT LOWER	35	66
F449362	BEARING	45	35	F523065-1	IMPELLER	37	-
F449545-2	CYLINDER HOUSING	45	33	F523065-1	WATER PUMP IMPELLER	35	59
F449632	SHAFT	45	36	F523099-1	SPACER, PROPELLER	33	19
F449754-1	HYDRAULIC LINE, LIFT CYLINDER, LOWER	45	39	F523116-1	EXHAUST SNOOT	35	38
F449758	HYDRAULIC LINE, LIFT CYLINDER, UPPER	45	38	F523133-2	MOTOR LEG (20 INCH MODELS)	29	14
F449843	CABLE	45	8	F523146-1	SEAL, CRANKSHAFT LOWER	27	13
F449889	SHAFT, UPPER	47	51	F523146-1	SEAL, CRANKSHAFT UPPER	27	19
F449894	INDICATOR	39	32	F523188	NUT, BEVEL PINION RETAINING	35	34
F455449	SWITCH, TRIM (FORCE MODEL)	39	39	F523244	INLET WATERLINE (20 INCH MODELS)	33	5
F455690	SET SCREW	39	31	F523273	STEERING BALL STUD	29	22
F474073-1	CLAMP SCREW	29	31	F523274	GREASE FITTING	29	39
F475504	GROMMET	9	42	F523280	NUT, STEERING SUPPORT TUBE	31	48
F476066-1	THERMOSTAT COVER	25	90	F523300-1	SPRING	29	18
F476067	GASKET	25	87	F523411	RETAINING RING	33	23
F476067	THERMOSTAT COVER GASKET	25	-	F523451	SPACER, REED STOP	17	50
F476529-1	CYLINDER HEAD GASKET	23	76	F523498	DRIVE KEY, WATER PUMP	37	68
F476529-1	CYLINDER HEAD GASKET	25	-	F523498	KEY	37	-
F480107-1	CAM STARTER INTERLOCK	23	57	F523555	GEAR HOUSING COVER SEAL	37	-
F480388	DISC, WATER PUMP LOCATING	35	62	F523555	SEAL, O-RING, GEAR HOUSING COVER	35	49
F481434	GUIDE, ENGINE COVER	3	13	F523562	PLATE, WATER PUMP	37	-
F481777	CAM, LATCH SHAFT	3	36	F523562	WATER PUMP BACK PLATE	35	58
F485755-1	FUEL TANK ADAPTER	43	3	F523705	GEAR SHIFT ROD LOWER	35	46
F489551	BRACKET NEUTRAL INTERLOCK SWITCH	17	44	F523813	BEARING CUP	35	30
F491689-1	BEARING TOWERSHAFT UPPER	25	109	F523899	GROMMET, WATERLINE	33	4
F498618	GEAR SHIFT ARM PIN SEAL	37	-	F523930	RETAINER	29	21
F498618	SEAL	35	33	F523961	CRUSH RING	35	50
F498891	PIN, GEAR SHIFT ARM	35	32	F525629	PIN, COTTER	31	73
F499026	SWIVEL	21	16	F528068	THERMOSTAT	25	88
F499035	END, CONTROL ROD (TO TOWERSHAFT)	21	18				

PARTS INDEX

Part Number	Description	Pg.	Ref. No.	Part Number	Description	Pg.	Ref. No.
F530160	REED (5 PETAL)	17	40	F5H080	TWIN REMOTE CONTROL BOX	53	-
F532299	WASHER, PROPELLER SPLINE	33	17	F5H081	BATTERY CABLE	53	-
F549189	BUSHING, ELECTRIC CABLE	3	25	F5H094	STEERING LINK KIT	53	-
F563	TERMINAL BLOCK KIT	54	-	F5H108	STEERING CONNECTOR	53	-
F580892-2	DECAL	39	27	F5H115	TRAILERING TILT LOCK	54	-
F58685-2	CONNECTOR, SHIFT CABLE	39	2	F5H120	REMOTE CONTROL BACK PLATE	53	-
F589061-1	CARBURETOR COMPLETE (BOTTOM)	13	27	F5H130-1	REMOTE CONTROL - SURFACE MOUNT	53	-
F590	REMOTE CONTROL - FLUSH MOUNT	53	-	F5H132	REMOTE CONTROL HANDLE TRIM SWITCH	53	-
F598387	DECAL, POWER FLOW	31	71	F5H146	HYDRAULIC TILT	54	-
F5H018	DUAL STEERING CONNECTOR	53	-	F5H150	POWER TRIM	54	-
F5H019	ANTI-CORROSION KIT	53	-	F5H151	SHOCK ABSORBER KIT	53	-
F5H021	EXTENSION CABLE	53	-	F5H154	SPEEDOMETER FLUSH MOUNT	54	-
F5H025	ANTI-CORROSION SACRIFICIAL ANODE	53	-	F5H155	SPEEDOMETER FLUSH MOUNT	54	-
F5H026-1	FUEL TANK (ACCESSORY ITEM)	43	2	F5H156	TEMPERATURE GAUGE FLUSH MOUNT	54	-
F5H028	SENDING UNIT	54	-	F5H157	VOLTMETER - FLUSH MOUNT	53	-
F5H030	SWITCH KIT - RUNNING LIGHTS	54	-	F5H159	HOURLY METER	54	-
F5H031	SWITCH KIT - SPOT LIGHT	54	-	F5H161	POWER TRIM INDICATOR	53	-
F5H032	SWITCH KIT - WIPER	54	-	F5H167	TACHOMETER FLUSH MOUNT	54	-
F5H034	SWITCH KIT - BILGE PUMP	54	-	F5H173	FLUSHING ADAPTER	53	-
F5H035	SWITCH KIT - HORN	54	-	F5H179	TRAILERING BRACKET	31	72
F5H036	SWITCH KIT - TACHOMETER TRANSFER	54	-	F5H179	TRAILERING TILT LOCK	54	-
F5H037	CIGAR LIGHTER	53	-	F5H191	FORCE BLUE ENAMEL	55	-
F5H038	IGNITION SWITCH MOUNTING KIT	7	22	F5H192	FORCE BLUE ENAMEL	55	-
F5H038	SWITCH KIT - IGNITION SWITCH	54	-	F615475	IGNITION COIL	9	46
F5H039	SWITCH KIT - INSTRUMENT LIGHT	54	-	F616675	STARTER BRACKET LOWER	11	11
F5H041	BATTERY TERMINAL KIT	53	-	F616955	STARTER COMPLETE.	11	14
F5H041	BATTERY TERMINAL KIT (ACCESSORY ITEM)	9	48	F629449-1	THERMOSWITCH	7	6
F5H043	BUZZER, HEAT INDICATOR	9	50	F630843	ELECTRIC CONTROL CABLE, 22 FEET - BAYLINER	7	-
F5H043	OVERHEAT BUZZER	53	-	F631606	KINGPIN CAP (25 INCH MODELS)	31	69
F5H044	TILT STOP KIT	53	-	F631707	COVER SHOCK MT. LOWER (25 INCH MODELS)	29	36
F5H059	US MARINE OUTBOARD MULTI-PURPOSE GREASE	55	-	F650450	RECTIFIER	7	9
F5H060	US MARINE OUTBOARD GREASE GUN	55	-	F653095	ALTERNATOR STATOR	9	59
F5H068	RFI SUPPRESSION KIT	53	-	F653301-1	MODULE	9	45
F5H070	ELECTRIC CONTROL CABLE, 21 FEET	7	35	F653744	WIRING HARNESS	7	14
F5H070	REMOTE ELECTRIC CABLE	54	-	F654029	TRIGGER ASSY.	9	58
F5H075	WIRING HARNESS - IGNITION SWITCH (24")	54	-	F654398	DECAL, 4 CYL. WIRING	9	71
F5H076	SWITCH EXTENSION CABLE - 5 FT.	54	-	F654497	TERMINAL BLOCK (12 POSITION)	9	73
F5H077	IGNITION KEY SWITCH	54	-	F654976	CONNECTOR, THROTTLE CABLE (BAYLINER MODELS)	39	-
F5H078	IGNITION KEY SWITCH	54	-	F658803	GASKET, SPACER PLATE	19	2
F5H078	SWITCH, IGNITION , LONG BARREL W/KEYS AND SCREWS	7	16	F658836	SPACER, FUEL PUMP	19	17
				F660189	BUSHING, CABLE ENTRY	3	26
				F663038	SUPPORT PLATE	3	24
				F663269	HANDLE, TILT	3	19
				F663366	MEDALLION - FORCE	3	6

PARTS INDEX

Part Number	Description	Pg.	Ref. No.	Part Number	Description	Pg.	Ref. No.
F663373	DECAL, TOP - SIDE	3	7	F8095	PLAIN WASHER	23	48
F663396	DECAL, BOTTOM - STARBOARD	3	5	F8096	SPRING LOCKWASHER	3	11
F663397	DECAL, BOTTOM - PORT	3	3	F8096	SPRING LOCKWASHER	3	31
F663480	RETAINER	5	42	F8096	SPRING LOCKWASHER	7	24
F663528	DECAL, BOTTOM - REAR	3	16	F8096	SPRING LOCKWASHER	25	105
F663585	DECAL, TOP - REAR	3	18	F8096	SPRING LOCKWASHER	31	59
F663756	PACKING	3	23	F8096	SPRING LOCKWASHER	35	40
F663774-1	BRACKET, ENGINE COVER LATCH	3	9	F8104	PLAIN WASHER	21	10
F663892	DECAL, BOTTOM - FRONT	3	4	F8124	PLAIN WASHER	7	31
F663894	DECAL, TOP - FRONT	3	2	F84011	WASHER	31	46
F663984	BLANKET, TOP (NOT SHOWN)	3	-	F84074	CLAMP SCREW FOOT	29	30
F664061	CARBURETOR COMPLETE (TOP)	13	-	F84286-1	FRICTION WASHER	31	45
F664384	CLIP, TERMINAL BLOCK COVER	9	72	F84305	PROPELLER SHAFT SPOOLS SEAL	37	-
F664386	DECAL, NUMBER 125	3	8	F84305	SEAL, PROPELLER SHAFT BEARING SPOOL	33	12
F664672	COVER, TERMINAL BLOCK	9	76	F84307-1	DRIVE SHAFT SEAL	37	-
F664985	BLANKET, SIDE (NOT SHOWN)	3	-	F84314-2	ELBOW	23	46
F665387	DECAL, LOGO (US MARINE)	3	17	F84314-2	ELBOW - TOP CARBURETOR	13	9
F7004	STOP NUT, 3/8 - 16	23	49	F84342	SEAL, INLET WATERLINE, UPPER	33	3
F7008	ELASTIC STOP NUT	21	32	F84449	NEUTRAL INTERLOCK SWITCH	7	3
F7008	STOP NUT, 1/4 - 20	17	25	F84472-5	CYLINDER DRAIN COVER GASKET	25	-
F7009	LOCK NUT, #10 - 24	25	107	F84472-5	GASKET, CYLINDER DRAIN COVER	21	36
F7012	STOP NUT	29	25	F84504	GROMMET (THERMOSTAT)	25	89
F7024	STOP NUT, 1/4 - 20	3	22	F84521-2	CLUTCH	33	27
F74305	GEAR HOUSING COVER SEAL	37	-	F84748-3	CYLINDER DRAIN REED PLATE GASKET	25	-
F74305	SEAL, DRIVESHAFT BEARING CAGE	35	51	F84748-3	GASKET, CYL. DRAIN REED PLATE	23	44
F762	REMOTE ELECTRIC CABLE	54	-	F84792	GASKET, FUEL PUMP VALVE	19	23
F8003	PLAIN WASHER	21	38	F84871-1	PIN, GEAR SHIFT	33	25
F8011	PLAIN WASHER	9	39	F85017	PISTON PIN	27	4
F8028	PLAIN WASHER	9	43	F85033	SWIVEL, CHOKE ROD (BOTTOM CARBURETOR) (NOT SHOWN)	13	-
F8038	PLAIN WASHER	21	4	F85037-1	STERN BRACKET PIVOT BOLT	31	50
F8038	PLAIN WASHER	29	17	F85117	BRACKET, WATERLINE	33	2
F8056	SPRING LOCKWASHER	7	7	F85130	BOOT IDLE EXHAUST	29	5
F8058	INTERNAL TOOTH LOCKWASHER	17	24	F85161-1	REED STOP	17	39
F8061	INTERNAL TOOTH LOCKWASHER	39	12	F85211	STUD	23	47
F8077	WASHER	37	-	F85258	INSERT	29	4
F8077	WASHER, GEAR HOUSING PLUG	35	43	F85279-2	CYLINDER EXHAUST UPPER GASKET	25	-
F8080	SPRING LOCKWASHER	29	20	F85279-2	GASKET, CYLINDER EXHAUST UPPER	23	66
F8083	LOCKWASHER	5	38	F85314-1	FUEL FITTING - BOTTOM CARBURETOR	13	7
F8083	LOCKWASHER	19	7	F85317-3	SOLENOID CLAMP	17	21
F8083	LOCKWASHER	37	76	F85372	PIN, GEAR SHIFT ROD LOWER	35	48
F8083	SPRING LOCKWASHER	9	63	F8538	SPRING PIN	29	32
F8083	SPRING LOCKWASHER	11	13	F85380	SPRING	29	6
F8083	SPRING LOCKWASHER	29	2	F85410	SNAP RING	27	8
F8083	SPRING LOCKWASHER	35	54				
F8083	SPRING LOCKWASHER	37	-				
F8088	PLAIN WASHER	7	2				
F8088	PLAIN WASHER	13	12				
F8090	PLAIN WASHER	7	28				
F8094	WASHER	3	37				

PARTS INDEX

Part Number	Description	Pg.	Ref. No.	Part Number	Description	Pg.	Ref. No.
F85445	CONTROL ROD	21	20	FA411222	TRANSFER PORT COVER	23	51
F85498-1	FLYWHEEL KEY	27	16	FA438431	BODY, FUEL PUMP	19	12
F85502	THROTTLE LINK	21	26	FA439493	BRACKET, TERMINAL BLOCK	7	10
F85509-1	LINK, CHOKE	13	2	FA440157	CARBURETOR ADAPTER, UPPER	17	-
F85571	BEARING CAGE W/ROLLER	27	10	FA440167	CARBURETOR ADAPTER, LOWER	17	33
F85606	KINGPIN CAP (20 INCH MODELS)	31	56	FA449015	PISTON	45	29
F85610	BEARING	23	56	FA449149	COVER W/SEALS AND RETAINER	45	27
F85615-1	GEAR SHIFT ROD UPPER (20 INCH MODELS)	31	62	FA480876	GEAR SHIFT ARM	23	58
F8563	DOWEL PIN	21	14	FA481743	BRACKET, ROLLER LATCH W/ROLLER	3	12
F85634-2	CONNECTING ROD SCREW	27	14	FA500019	KINGPIN (25 INCH MODELS)	29	-
F85660-1	EXHAUST TUBE	29	1	FA523014	CRANKSHAFT LOWER MAIN BEARING	27	12
F85704	COUPLER, GEAR SHIFT ROD	31	60	FA523054	GEAR HOUSING W/DRIVESHAFT BEARING LOWER	35	42
F85762	BY-PASS COVER GASKET	25	-	FA523109	PLUG, GEAR HOUSING	35	44
F85762	BY-PASS VALVE COVER GASKET	25	100	FA523485	ANTI-CORROSION ANODE	33	21
F85772	CLAMP	29	7	FA523735	SEAL, INLET WATERLINE, LOWER	35	65
F85779-1	BAFFLE, AIR INTAKE	31	52	FA528018	CRANKSHAFT	27	15
F85859	STUD	21	15	FA551611	HANDLE W/SWITCH AND CABLE. (NOT SHOWN)	41	-
F85906	CARBURETOR GASKET	25	-	FA58976-1	CONNECTOR, THROTTLE CABLE	39	1
F85908-1	LEAD WIRE	11	9	FA607689	BEARING TOWERSHAFT	25	108
F85909-1	BEARING LOCATING PIN (PRESSED INTO BLOCK)	27	23	FA609853	DECAL, WARNING	9	67
F85916-1	BY-PASS VALVE	25	102	FA612754	FUEL LINE, SHORT (BAYLINER MODELS)	43	14
F85965	SHOCK MOUNT UPPER	31	63	FA616497	TERMINAL BLOCK	7	13
F89758	HOSE, IMPULSE	19	20	FA630752	FUEL LINE COMPLETE (BAYLINER MODELS)	43	-
F9018	CAP	31	49	FA631518	CYLINDER HEAD	23	77
F9052	PLUG	29	40	FA654924	CHOKE SOLENOID W/CLAMP	7	36
F90619-2	YOKE	37	73	FA658746	COVER, FUEL PUMP	19	1
F90807	RETAINING RING	13	34	FA663469	ENGINE COVER LATCH HANDLE W/SHAFT	3	32
F9095	SHIM, DRIVESHAFT BEARING, UPPER .005 - SILVER	35	-	FA84621-1	COUPLING, GEAR SHIFT ARM W/BUSHING	35	45
F9097	SHIM, DRIVESHAFT BEARING, UPPER .010 - BLACK	35	-	FA84754-1	FUEL LINE SHORT W/FERRULES	43	8
F9106	SHIM, DRIVESHAFT BEARING, UPPER .003 - BRASS	35	67	FA85135-4	LEG COVER FRONT	31	57
F91446-1	CIRCUIT BREAKER BRACKET	9	41	FA85193	TIE BAR END W/SWIVEL	13	38
F92759	THROTTLE ROLLER	15	46	FA85355-1	WASHER (SET OF 2 SHOCK MOUNT WASHERS)	31	66
F93811	SCREEN	23	43	FA85655-1	CRANKSHAFT MAIN BEARING RACE	27	9
F93920	REED STOP	21	39	FC529398	DECAL, WIRING	25	93
F97772	CLAMP	13	6	FC660054	GEAR HOUSING COMPLETE.	37	-
F97772	CLAMP, FUEL LINE	19	9	FC664054	GEAR HOUSING COMPLETE.	37	-
F97772	FUEL LINE CLAMP	43	11	FG1019	GASKET SET -	25	103
F98273	ROD END CONNECTOR STUD	23	74	FK10023	GASKET SET.	13	-
FA17559	LIFT CYLINDER COMPLETE	45	40	FK10103	REPAIR PARTS KIT.	13	1
FA17561-1	O-RING	47	44				
FA178233	THROTTLE TIE BAR W/SWIVEL	13	35				
FA178962	SHOCK ABSORBER W/BUSHING - 178344	29	34				
FA27232	EMERGENCY STARTER ROPE (NOT SHOWN)	7	-				

PARTS INDEX

Part Number	Description	Pg.	Ref. No.	Part Number	Description	Pg.	Ref. No.
FK10107	INLET NEEDLE AND SEAT	13	19	FPS625	PROPELLER (13 X 19)	33	-
FK1063-2	SEAL KIT -	37	74	FS409752	FUEL LINE COMPLETE (FORCE MODELS).	43	-
FK1069	WATER PUMP KIT -	37	75	FS631995	COVER, CYLINDER HEAD	23	79
FK1123	SPARKIE KIT	9	54	FS664358	BRACKET (C.D. - COIL)	7	30
FK17156	BAG ASSEMBLY (NOT SHOWN).	41	-	FS664712	ENGINE COVER (WITHOUT PAINT, DECALS OR HARDWARE)	3	1
FK405020	SWIVEL W/CLAMP, SHOULDER SCREW AND NUT	21	30	FS85019	KINGPIN (20 INCH MODELS)	29	37
FK460917	STARTER RELAY	7	23	FS85872-1	BRACKET	23	72
FK85228-1	BEARING CAGE W/ROLLER	27	7	FSA335260	PISTON RINGS (2 PER SET) .010 OVERSIZE	27	-
FO10588	BODY CHANNEL CUP PLUG	15	48	FT1082	SNAP RING PLIER	49	-
FO11103	IDLE MIXTURE SCREW SPRING	13	28	FT11204	BEARING CUP INSTALLER	50	-
FO13193	MAIN FUEL JET OPT. .088 4500 - 6000 FT.	15	-	FT11205	BEARING INSTALLER/REMOVER	50	-
FO13554	FLOAT	13	25	FT11207	BEARING CUP REMOVER	50	-
FO13944	FLOAT LEVER PIN	13	24	FT11209	BEARING GUIDE SET	50	-
FO13949	MAIN FUEL JET OPT. .086 6000 FT. & UP	15	-	FT11259	MULTIMETER	51	-
FO14166	IDLE MIXTURE SCREW	13	29	FT11260	SPARK TESTER	51	-
FO14190	MAIN FUEL JET OPT. .092 1500 - 3000 FT.	15	-	FT2938-1	CONTINUITY TESTER	51	-
FO14191	MAIN FUEL JET STD. .0937 SEA LEVEL - 1500 FT.	15	40	FT2951	CIRCUIT TRACER	51	-
FO15406	MAIN FUEL JET OPT. .090 3000 - 4500 FT.	15	-	FT2953	SOCKET	49	-
FO15623	FUEL BOWL GASKET	13	26	FT2961	LUBRICANT - RYKON GREASE #2EP	52	-
FO16128	BODY CHANNEL WELCH PLUG	15	49	FT2962-2	SEALANT - 50 CC LOCTITE H, NON-HARDENING GRADE	52	-
FO16130	FUEL BOWL	13	22	FT2963-2	SEALANT - 2 OZ. LOCTITE 271	52	-
FO16132	FUEL BOWL RETAINING SCREW	13	20	FT2987-1	LUBRICANT - ANTI-SEIZE	52	-
FO16133	MAIN NOZZLE	13	23	FT2990	PISTON PIN TOOL	49	-
FO16142	THROTTLE SHUTTER	15	50	FT2991	CARBON BRUSH	49	-
FO16143	THROTTLE SHAFT RETURN SPRING	15	41	FT2996	RING COMPRESSOR	49	-
FO16301	CHOKE SHAFT AND LEVER	13	17	FT2998	TORQUE WRENCH (0 - 100 LBS./FT.)	49	-
FO16620	E-RING	13	10	FT2999	TORQUE WRENCH (0 - 600 LBS./FT.)	49	-
FO16993	BY PASS TUBE	15	51	FT3012	SEAL INSTALLER	50	-
FO17719	CHOKE, SHUTTER	13	30	FT7848	TORQUE ADAPTER	50	-
FO17884	THROTTLE SHAFT AND LEVER	15	42	FT8900	HOSE CLAMP PLIERS	49	-
FO17885	CHOKE SHAFT RETURN SPRING	13	18	FT8901	INDICATOR HOLDER	50	-
FO18010	MAIN FUEL JET STD. .101 SEA LEVEL - 1500 FT.	15	-	FT8902	DIAL INDICATOR	50	-
FO1974	SCREW	15	44	FT8903	SEAL INSTALLER	49	-
FO5323	FUEL BOWL RETAINING SCREW GASKET	13	21	FT8907	DRIVER HANDLE	49	-
FO8942	CHOKE AND THROTTLE SHUTTER SCREW	13	31	FT8907	DRIVER HANDLE	50	-
FO9678	CLIP, CHOKE SHAFT	13	39	FT8914	SEAL REMOVER	49	-
FO992	LOCKWASHER	15	43	FT8918	BEARING GUIDE SET	50	-
FP665	PROPELLER (13 X 15 CUPPED) MODEL 1254X7A	33	-	FT8919	SPRING PIN PUNCH	50	-
FPS501	PROPELLER (14 X 13) MODEL 1253X7A	33	18	FT8925	SEAL INSTALLER	49	-
				FT8925	SEAL INSTALLER	50	-
				FT8926	RING EXPANDER	49	-
				FT8930-1	FEELER GAUGE SET	50	-
				FT8933	LIFTING HOOK	49	-
				FT8935	SEALANT PRIMER LOC QUIC T	52	-
				FT8936-1	SEALANT - 2 CC LOCTITE RETAINING COMPOUND #75	52	-
				FT8948-1	PULLER	48	-

PARTS INDEX

Part Number	Description	Pg.	Ref. No.	Part Number	Description	Pg.	Ref. No.
FT8948-1	PULLER	50	-				
FT8950	LEAKAGE TESTER	51	-				
FT8955	SEALANT - 5 OZ. EC-750 INDUSTRIAL SEALANT	52	-				
FT8957	SEAL INSTALLER	50	-				
FT8969	LUBRICANT - 7 OZ. LPS-1 LUBRICANT	52	-				
FT8978	TIMING LIGHT	48	-				
FT8983	SEALANT - 3 OZ. RTV SEALANT FROM IN PLACE GASKETS	52	-				
FT8985	SEAL INSTALLER	50	-				
FT8997	SHIM TOOL	50	-				
FTA2937-1	TIMING TOOL	48	-				
FTK8999	TEST WHEEL	51	-				
22-818103--1	ELBOW, CYLINDER DRAIN LOWER	21	34				
32-817738A1	FUEL LINE LONG	43	10				
33-818007--1	SPARK PLUG (CHAMPION UL 18V) - USA	25	83				
39-818110A1	PISTON RINGS (2 PER SET) .030 OVERSIZE	27	-				
43-817854A2	BEVEL PINION GEAR	35	35				
43-818068A2	BEVEL GEAR FRONT W/BEARING	35	29				
44-817962A2	PROPELLER SHAFT	33	24				
45-817961A6	DRIVESHAFT W/BEARING	37	-				
45-817967A6	DRIVESHAFT W/BEARING	37	69				
46-817853A1	WATER PUMP	37	-				
46-817853A1	WATER PUMP BODY	35	60				
200-817865A1	FLYWHEEL	9	61				
597-	US MARINE OUTBOARD GEAR LUBE	55	-				
600-818052A4	CONNECTING ROD	27	6				
700-817988A2	PISTON .010 OVERSIZE	27	-				
700-818111A2	PISTON .030 OVERSIZE	27	-				
700-F372015-3	PISTON - STANDARD	27	2				
800-817864A6	CYLINDER W/CRANKCASE COVER	21	1				
800-818154A6	SHORT BLOCK	21	-				
1400-817958A6	STERN BRACKET	29	24				
F596-	US MARINE OUTBOARD OIL	54	-				