



# PARTS CATALOG

## FORCE 1987 50 H.P. "C" MODELS

### SERIAL NUMBER

50 H.P. (1987)	.....	.507F7C
50 H.P. (1987)	.....	.507X7C
50 H.P. (1987)	.....	.507Y7C
50 H.P. (1987)	.....	508M7C
50 H.P. (1987)	.....	C507F7C

# TABLE OF CONTENTS:

ACCESSORIES .....	49
ALTERNATOR AND ELECTRICAL COMPONENTS .....	4
CARBURETOR .....	10
CRANKSHAFT & PISTON .....	18
CYLINDER BLOCK, HEAD AND EXHAUST CHEST COVER .....	14
ELECTRIC STARTER .....	6
ENGINE COVER AND SUPPORT PLATE .....	2
FUEL PUMP .....	8
FUEL TANK AND LINE .....	36
GEAR HOUSING .....	32
MOTOR LEG .....	26
PARTS INDEX .....	51
POWER TILT (MODEL 5H143 SHIPPED WITH MODEL 508M7C ONLY) .....	40
RECIRCULATION SYSTEM & STARTER BRACKETS .....	20
REED PLATE AND ADAPTER FLANGE .....	24
REMOTE CONTROL .....	38
SHIFT AND THROTTLE LINKAGE .....	22
SPECIAL TOOLS - LOWER UNIT .....	46
SPECIAL TOOLS - LUBRICANTS AND SEALANTS .....	48
SPECIAL TOOLS - POWER HEAD .....	45
SPECIAL TOOLS - TEST EQUIPMENT .....	47
SPECIAL TOOLS - TUNE-UP .....	44

**NOTE:** *Indented description indicate that these parts are included in preceding assembly.*

**AR** = As Required

**NSS** = Not Sold Separate

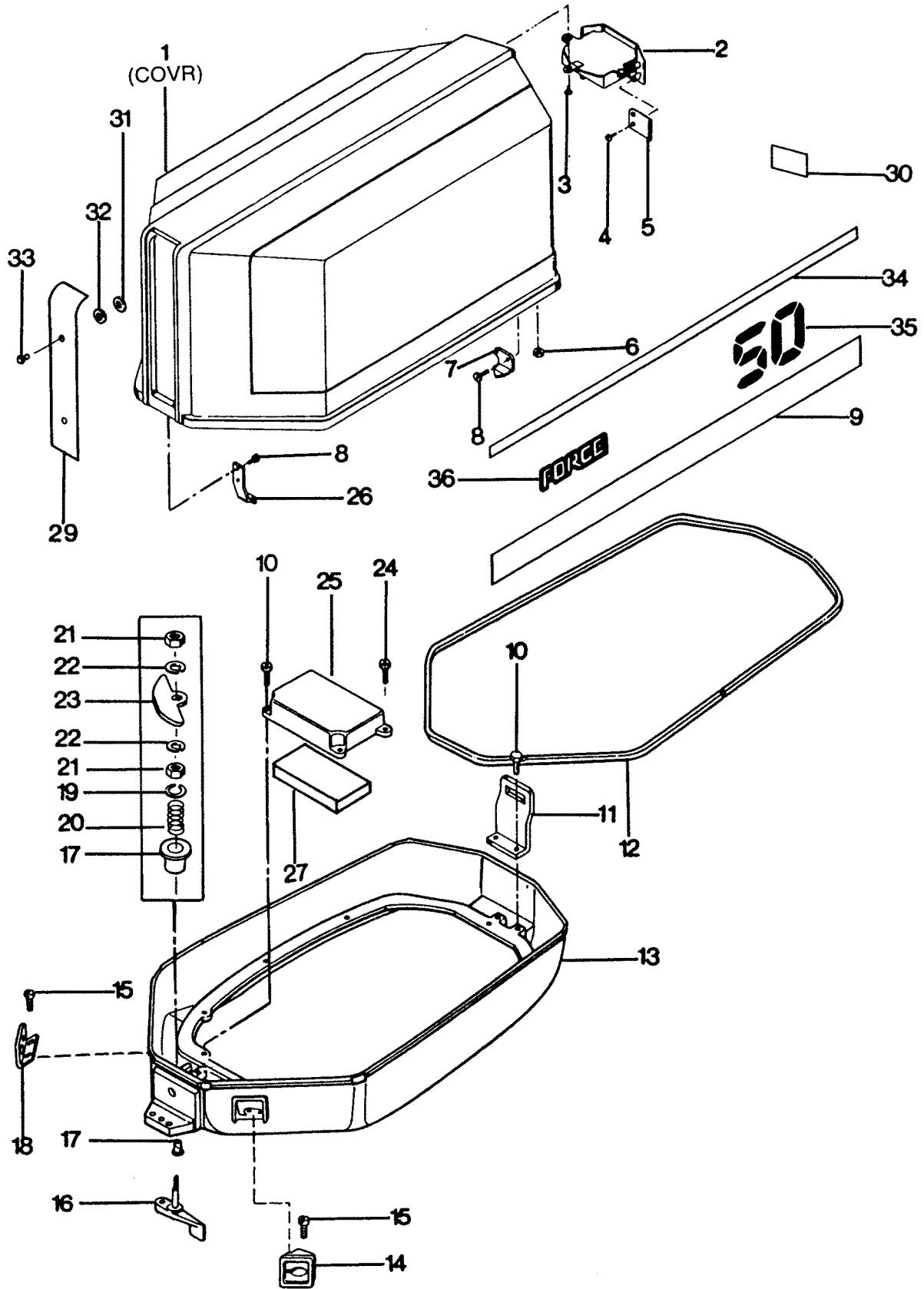
**OPT** = Optional

**NS** = Not Shown

**THESE PARTS BOOKS/FICHE CARD ARE COPYRIGHTED AND MAY NOT BE DISTRIBUTED OR REPRODUCED IN ANY OTHER FORMAT BY ANYONE OTHER THAN MERCURY MARINE WITHOUT THE PRIOR WRITTEN CONSENT OF MERCURY MARINE.**

THIS PAGE INTENTIONALLY LEFT BLANK

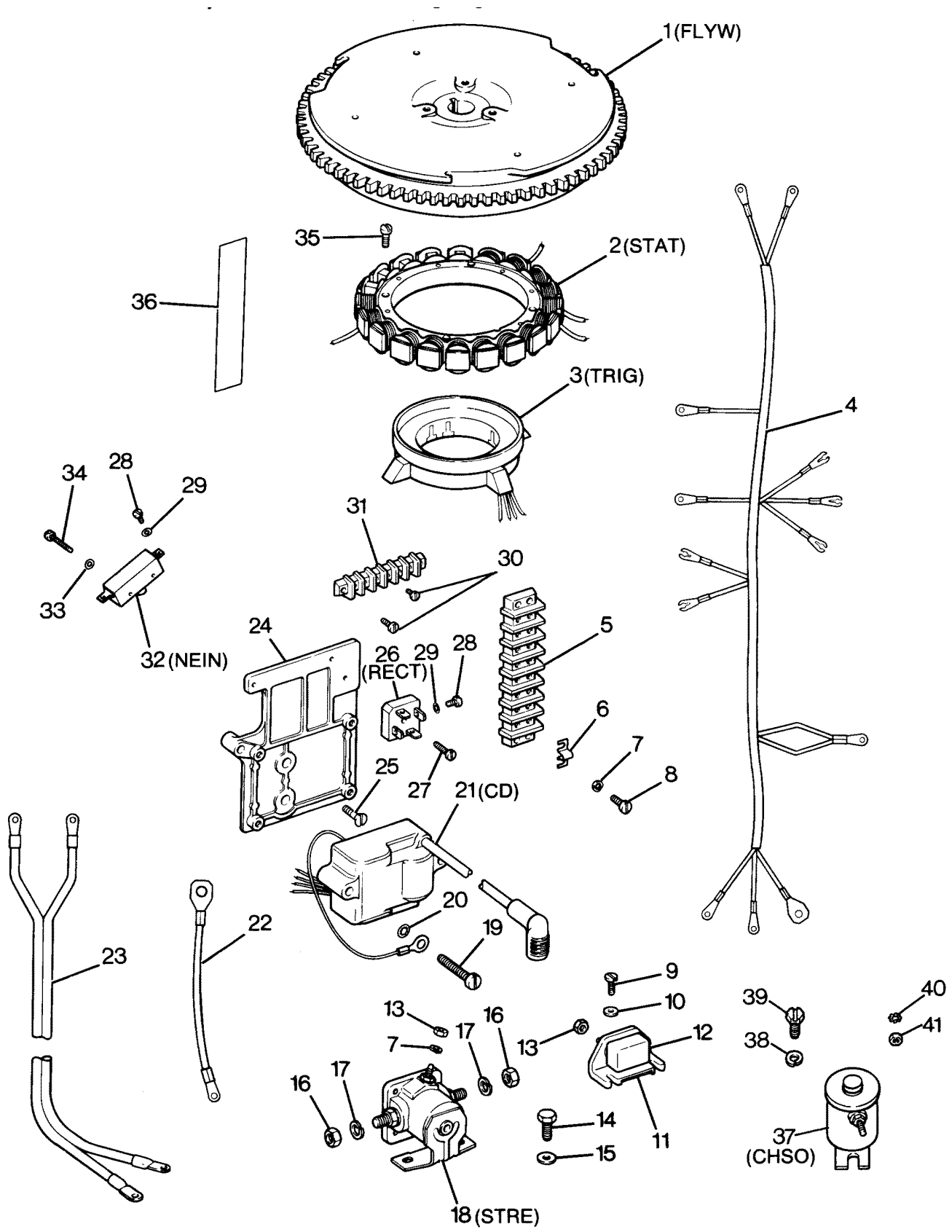
# ENGINE COVER AND SUPPORT PLATE



# ENGINE COVER AND SUPPORT PLATE

REF. NO.	PART NO.	SYM.	QTY.	DESCRIPTION
1	FS662712		1	ENGINE COVER <b>W/ILLUS. 6, 7, 8 AND 26</b>
-	<b>F2C662712</b>		1	<b>ENGINE COVER COMPLETE INCLUDES ITEMS MARKED WITH AN ASTERISK (*).</b>
2	817814A1		1	TILT HANDLE <b>W/LITERATURE ORIGINAL FORCE P/N A 463269-1</b>
3	F2025		1	PAN HD SCREW, 10 X 5/8
4	F2066		4	PAN HD SELF-TAPPING SCREW
5	F463864		2	RETAINER, TILT HANDLE
6	F7011		4	HEX NUT, 10 - 24
7	FA458480		1	ENGINE COVER RETAINER <b>W/ILLUS. 6 AND 8</b>
8	F1475		4	FILL HD SCREW, 10 X 24 X 1/2
9	F662397		2	DECAL, ENGINE COVER BOTTOM STRIPE
10	F1864		12	HEX CAP SCREW, 1/4 -20 X 3/4
11	F458774		1	BRACKET RETAINER - REAR
12	F85756		1	SUPPORT PLATE PACKING
13	F307038		1	SUPPORT PLATE
14	F549189		1	BUSHING ELECTRIC CABLE ENTRY
15	F1733		3	PAN HD SCREW, 10 - 24 X 9/16
16	FA328763		1	COVER LATCH HANDLE W/SHAFT
17	F307818		2	BEARING, LATCH SHAFT
18	F660189		1	BUSHING, CABLE ENTRY
19	F1987		1	PLAIN WASHER
20	F183300		1	SPRING
21	F1515		2	HEX NUT, 5/16 - 18
22	F8096		2	SPRING LOCKWASHER
23	F89777-1		1	LATCH CAM
24	F1532		2	HEX HD SCREW, 1/4 - 20X1
25	FA307779		1	BAFFLE, AIR INTAKE <b>W/ILLUS. 27</b>
26	FA366778		1	ENGINE COVER RETAINER FORWARD <b>W/ILLUS. 6 AND 8</b>
27	F307860		1	INTAKE SILENCER
29	FK606711		1	PLATE, FRONT <b>W/ILLUS. 31, 32, 33</b>
-	<b>F465985</b>		2	<b>BLAKET, SILENCER-SIDE (NOT SHOWN)</b>
-	<b>F311984-1</b>		1	<b>BLANKET SILENCER-TOP (NOT SHOWN)</b>
-	<b>F474992</b>		1	<b>BLANKET SILENCER-FRONT (NOT SHOWN)</b>
30	F665387		1	DECAL, "US MARINE"
31	F1753		2	FASTENER, TRIM (INSIDE OF COVER)
32	F85735-1		2	SEAL, TRIM (INSIDE OF COVER)
33	F2165		2	RIVET, TRIM
34	F662915		2	DECAL, ENGINE COVER TOP STRIPE
35	F662386		2	DECAL, "50"
36	F663366		2	MEDALLION "FORCE"

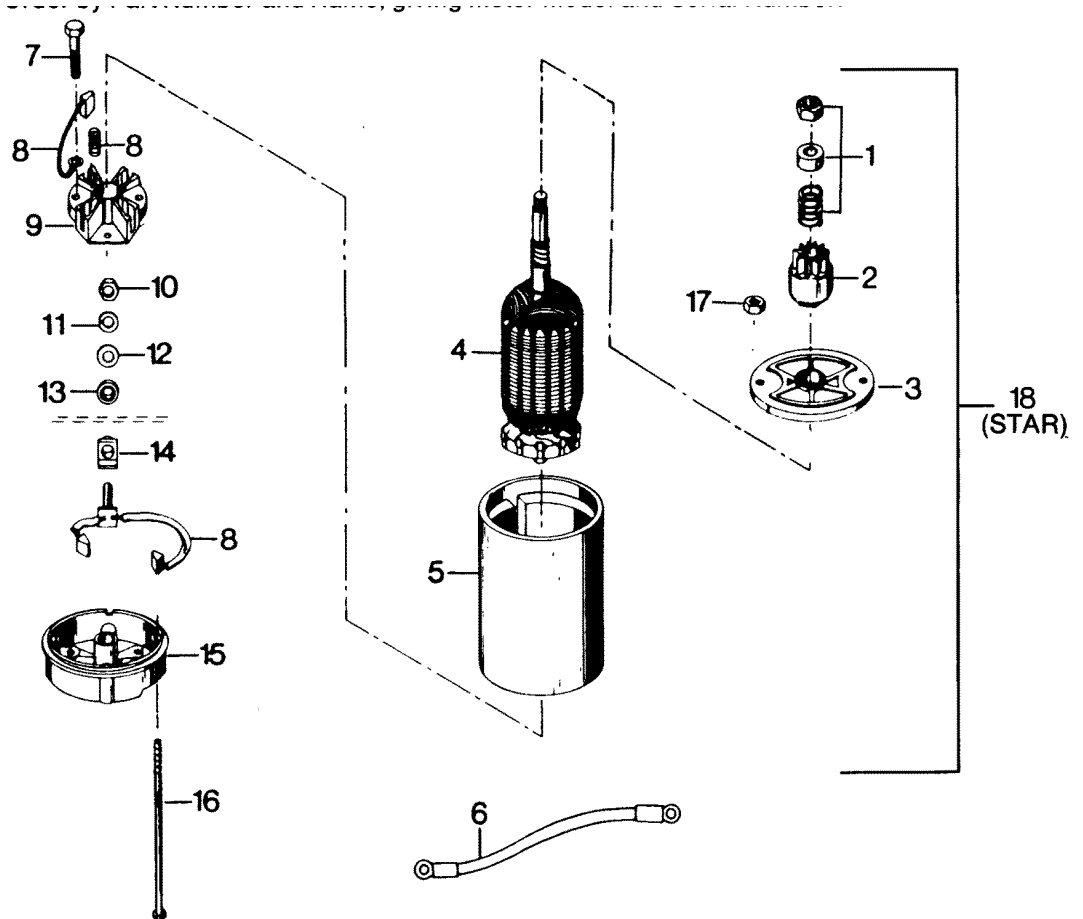
# ALTERNATOR AND ELECTRICAL COMPONENTS



# ALTERNATOR AND ELECTRICAL COMPONENTS

REF. NO.	PART NO.	SYM.	QTY.	DESCRIPTION
1	FA658097		1	FLYWHEEL
2	F658095		1	STATOR ASSEMBLY
3	F658029		1	TRIGGER ASSEMBLY
4	F658744		1	ENGINE WIRE HARNESS
5	FA616497		1	TERMINAL BLOCK
6	F307317		1	TERMINAL JUMPER CLIP
7	F1975		2	LOCKWASHER, #10
8	F1974		2	SCREW,#10 - 24 X 5/8
9	F1733		2	SCREW,#10 - 24 X 9/16
10	F8011		2	FLATWASHER
11	F91446-1		1	BRACKET
12	F510460		1	CIRCUIT BREAKER
13	F1513		3	NUT,#10 - 32
14	F1238		1	SCREW, 1/4 - 20 X 3/4
15	F8094		1	FLATWASHER
16	F1615		2	NUT, 5/16 - 24 HEX
17	F8096		2	LOCKWASHER, 5/16
18	F177917		1	STARTER RELAY
19	F525064		4	SCREW, 1/4 X 1-3/4 PN. HD.
20	F2106		4	WASHER, INTERNAL STAR
21	F658475		2	C-D, COIL ASSEMBLY
22	F307683		1	WIRE, CIRCUIT BREAKER
23	F629896		1	CABLE, BATTERY
24	F658501		1	BRACKET, C-D MOUNTING
25	F1823		2	SCREW, 5/16 - 18 X 1 HEX
26	F650450		1	RECTIFIER
27	F1303		1	SCREW, #8 - 32 X 3/4 SI.PA.
28	F1645		6	SCREW, #6 - 32 X 1/4 SI.RD.HD.
29	F1704		6	WASHER,#6 INT. TOOTH, LOCK
30	F1552		2	SCREW,#8 - 32 X 1/2 SI.PA.
31	F658497		1	BLOCK, TERMINAL
32	F84449		1	SWITCH, NEUTRAL INTERLOCK
33	F8088		2	FLATWASHER
34	F2016		2	SCREW, #6 - 32 X 7/8
35	F2200		4	SCREW, #2 - 24 X 1 HEX HD.
36	37-817910--1		1	DECAL, ADHESIVE BACK
37	89-817760A2		1	CHOKE SOLENOID
38	F8083		2	SPRING LOCKWASHER
39	F1854		2	HEX HD. SCREW, 1/4 - 20 X 5/8
40	F1647		1	HEX NUT, 8 - 32
41	F8056		1	SPRING LOCKWASHER

# ELECTRIC STARTER

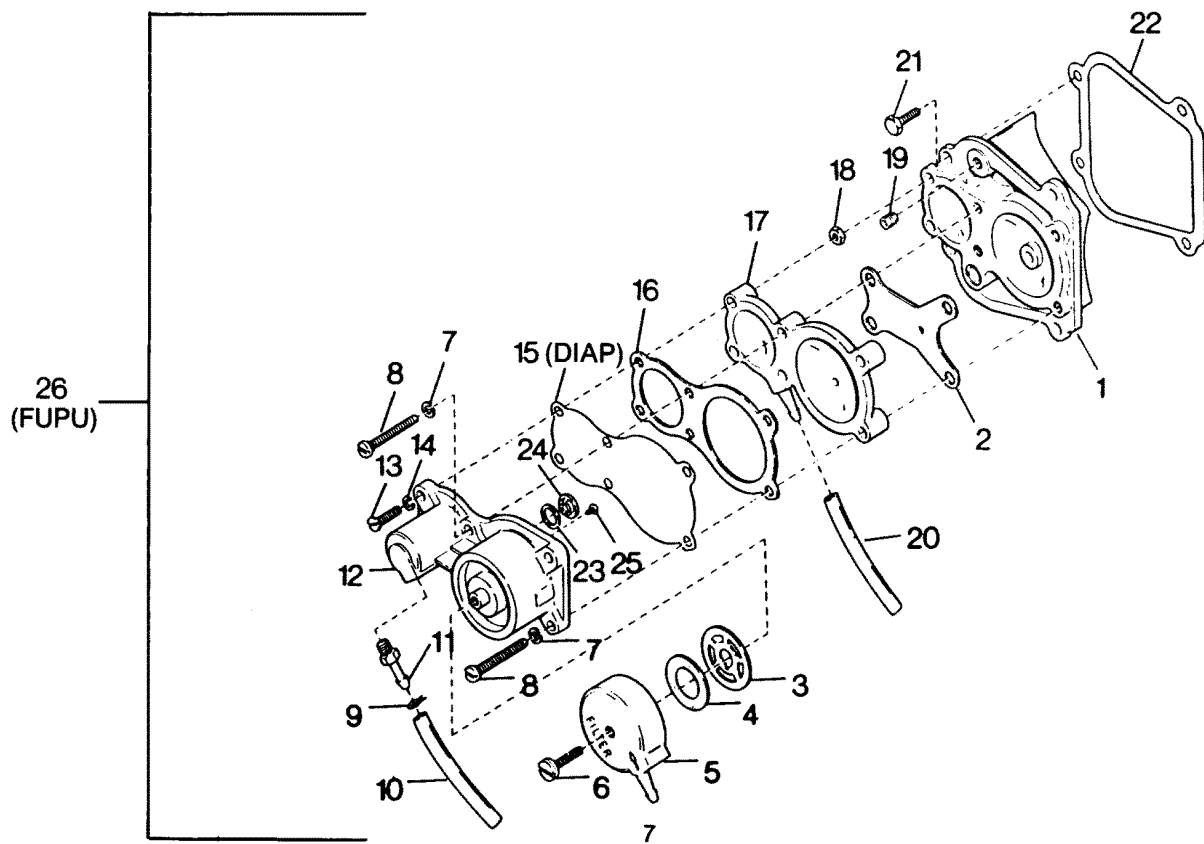




# ELECTRIC STARTER

REF. NO.	PART NO.	SYM.	QTY.	DESCRIPTION
1	F15181		1	DRIVE KIT
2	F15182		1	DRIVE PINION
3	F15154		1	CAP, DRIVE END
4	F15183		1	ARMATURE
6	F85908-1		1	WIRE, STARTER
7	F15158		2	SCREW, BRUSH HOLDER
8	F15164		1	BRUSH KIT
9	F15157		1	HOLDER, BRUSH
10	F15162		1	NUT
11	F15152		1	LOCKWASHER
12	F15161		1	PLAIN WASHER
13	F15160		1	INSULATOR WASHER
14	F15159		1	INSULATOR
15	F15179		1	CAP COMMUTATOR END W/BRUSHES AND BRUSH HOLDER
16	F15184		2	THRU BOLT
17	F7008		2	STOP NUT
18	F575955		1	STARTER MOTOR COMPLETE

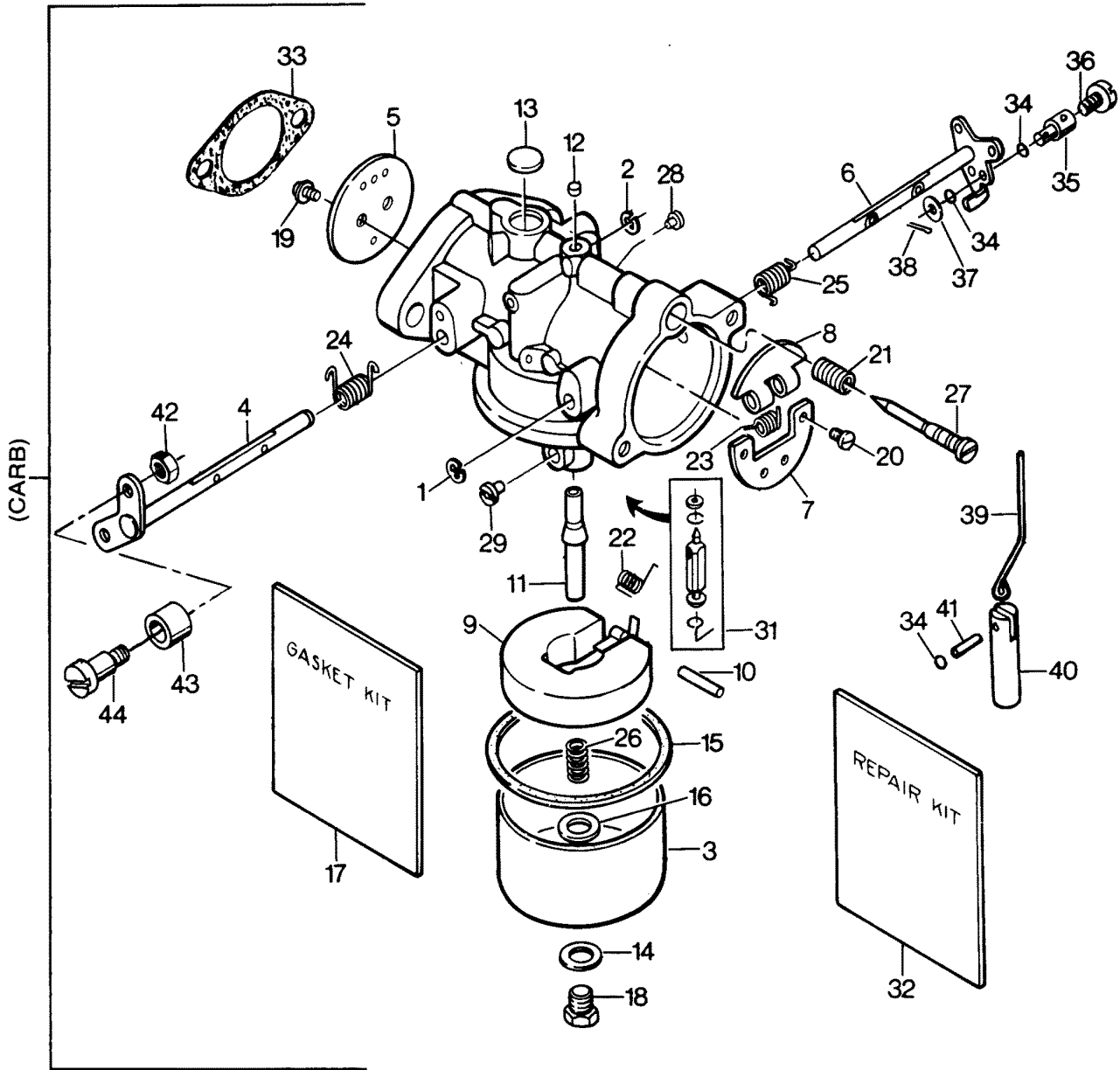
# FUEL PUMP



# FUEL PUMP

REF. NO.	PART NO.	SYM.	QTY.	DESCRIPTION
1	FA658746		1	COVER, FUEL PUMP <b>W/LITERATURE</b>
2	F658803		1	GASKET, SPACER PLATE
3	F438617		1	GASKET, FUEL SEDIMENT BOWL
4	F438653		1	SCREEN, FUEL PUMP
5	F438500		1	BOWL, FUEL SEDIMENT
6	F438165		1	SCREW, FUEL SEDIMENT BOWL
7	F8083		4	LOCKWASHER
8	F1504		4	SLOTTED FILL SCREW, 1/4 - 20 X 1-1/4 S.S.
9	F97772		2	CLAMP, FUEL LINE
10	F434754		1	FUEL LINE, PUMP TO CARBURETOR
11	F438801		1	ELBOW
12	FA438431		1	BODY, FUEL PUMP <b>W/ILLUS.</b>
13	F1648		2	SCREW, 10 - 24 X 3/4 PAN HD SCREW
14	F1975		2	LOCKWASHER
15	F438747		1	DIAPHRAGM, FUEL PUMP
16	F438760		1	GASKET, FUEL PUMP
17	F658836		1	SPACER, FUEL PUMP
18	F1473		2	NUT, 10 - 24 S.S.
19	F1789		1	PIPE PLUG, - 1/16 - 27
20	F658758		1	HOSE, IMPULSE
21	F1540		3	HEX HD SCREW, 1/4 - 20 X 5/8 GR. 5
22	F40223		1	GASKET, TRANSFER PORT COVER
23	F84792		1	GASKET, FUEL PUMP VALVE
24	F177330		3	VALVE, FUEL PUMP
25	F1860		2	SLOTTED BINDING HEAD SCREW, 6 - 32 X 1/4
26	FC658746		1	FUEL PUMP COMPLETE, INCLUDES ITEMS 1, 2, 7, 8 & 11 THRU 20 <b>INCLUDES ITEMS 1, 2, 7, 8 &amp; 11 THRU 20</b>

# CARBURETOR

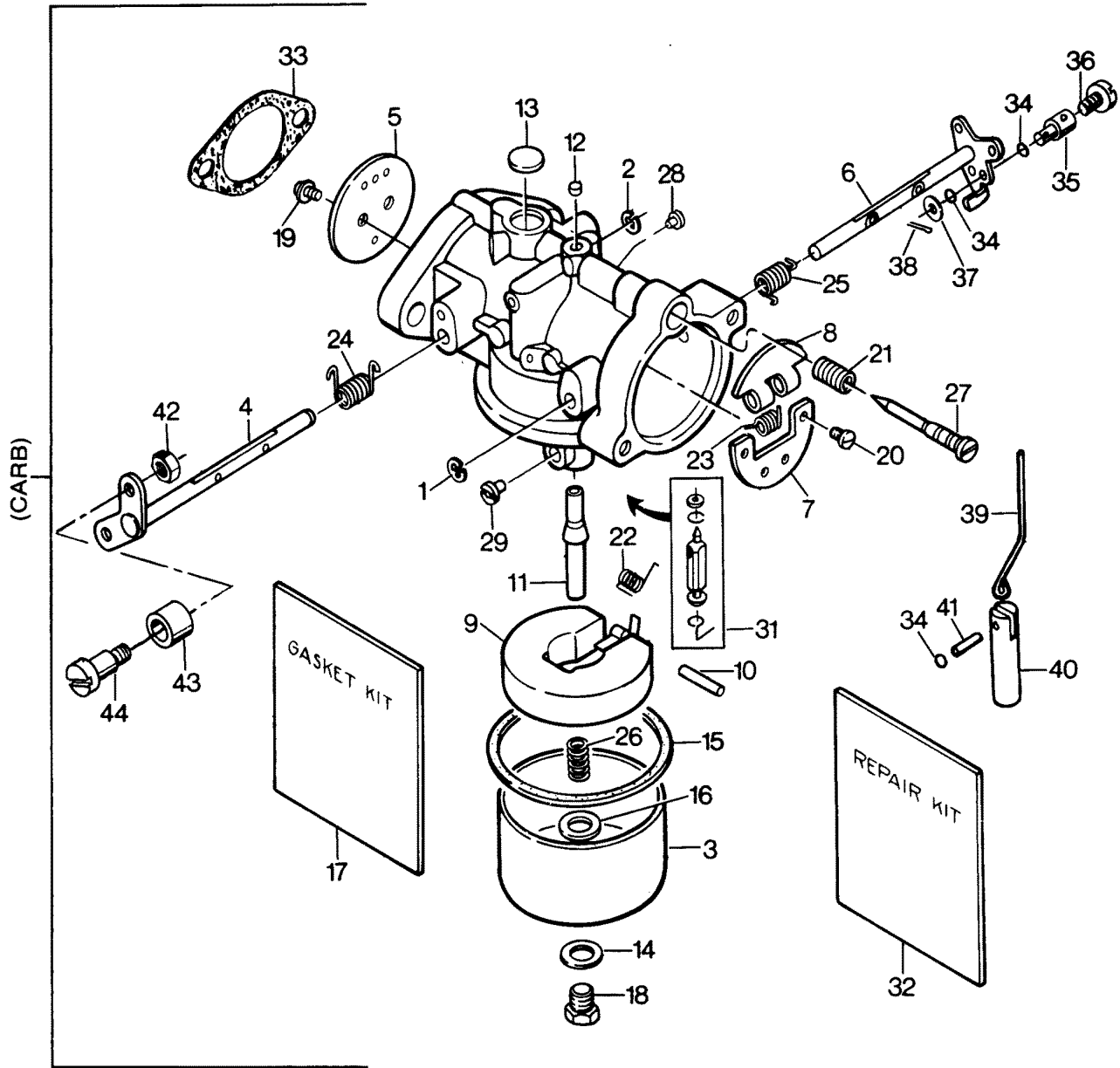


# CARBURETOR

REF. NO.	PART NO.	SYM.	QTY.	DESCRIPTION
-	<b>F628061-1</b>		1	<b>CARBURETOR ASSEMBLY (WE-170</b>
1	F10218		1	RING
2	FO16620		1	SHAFT RETAINER RING
3	F10127		1	FUEL BOWL
4	F10193		1	THROTTLE SHAFT ASSEMBLY
5	F10207		1	THROTTLE VALVE
6	F10159		1	CHOKES SHAFT ASSEMBLY
7	F10128		1	CHOKE VALVE
8	F10129		1	CHOKE RELIEVING VALVE
9	F10135		1	FLOAT ASSEMBLY
10	F10208		1	PIN, FLOAT ASSEMBLY
11	F10137		1	NOZZLE
12	F10152		4	CUP PLUG
13	F10153		1	WELCH PLUG
14	F10067		1	BOWL RETAINER GASKET
15	FO15623		1	BOWL RING GASKET
16	F10206		1	BOWL RETAINER GASKET
17	FK10209		1	GASKET KIT. <b>INCLUDES ALL ITEMS MARKED WITH A DOUBLE ASTERISK (**).</b>
18	F10205		1	BOWL RETAINER SCREW
19	F10155		2	VALVE SCREW
20	F10140		2	VALVE SCREW
21	F10141		1	IDLE NEEDLE SPRING
22	F10142		1	FLOAT SUPPORT SPRING
23	F10130		1	CHOKE VALVE SPRING
24	F10192		1	THROTTLE RETURN SPRING
25	F10191		1	CHOKE RETURN SPRING
26	A10204		1	NOZZLE SPRING
27	FO14166		1	NEEDLE, IDLE
28	F10197		1	JET (.046)
29	F10229		1	MAIN FUEL JET (.084)
-	<b>F10230</b>		-	<b>JET SIZE. (.082) 2500-5000 FT.</b>
-	<b>F10203</b>		-	<b>JET SIZE. (.080) 5000-7500 FT.</b>
-	<b>F10210</b>		-	<b>JET SIZE. (.078) 7500-10,000 FT.</b>
31	FK10120-1		1	FLOAT KIT, VALVE & SEAT
32	FK10202		1	REPAIR KIT. <b>INCLUDES ALL ITEMS MARKED WITH A SINGLE ASTERISK (*).</b>
33	F40906-1		1	CARBURETOR GASKET
34	F184579		3	SEAL, CHOKE ARM SWIVEL
35	F184033-1		1	SWIVEL, CHOKE ROD
36	F1059		1	FILL HD SCREW 6 - 32 X 1/4
37	F8088		2	PLAIN WASHER
38	F1014		1	COTTER PIN
39	F452925		1	CHOKE SOLENOID ROD

CONTINUED ON NEXT PAGE ➡

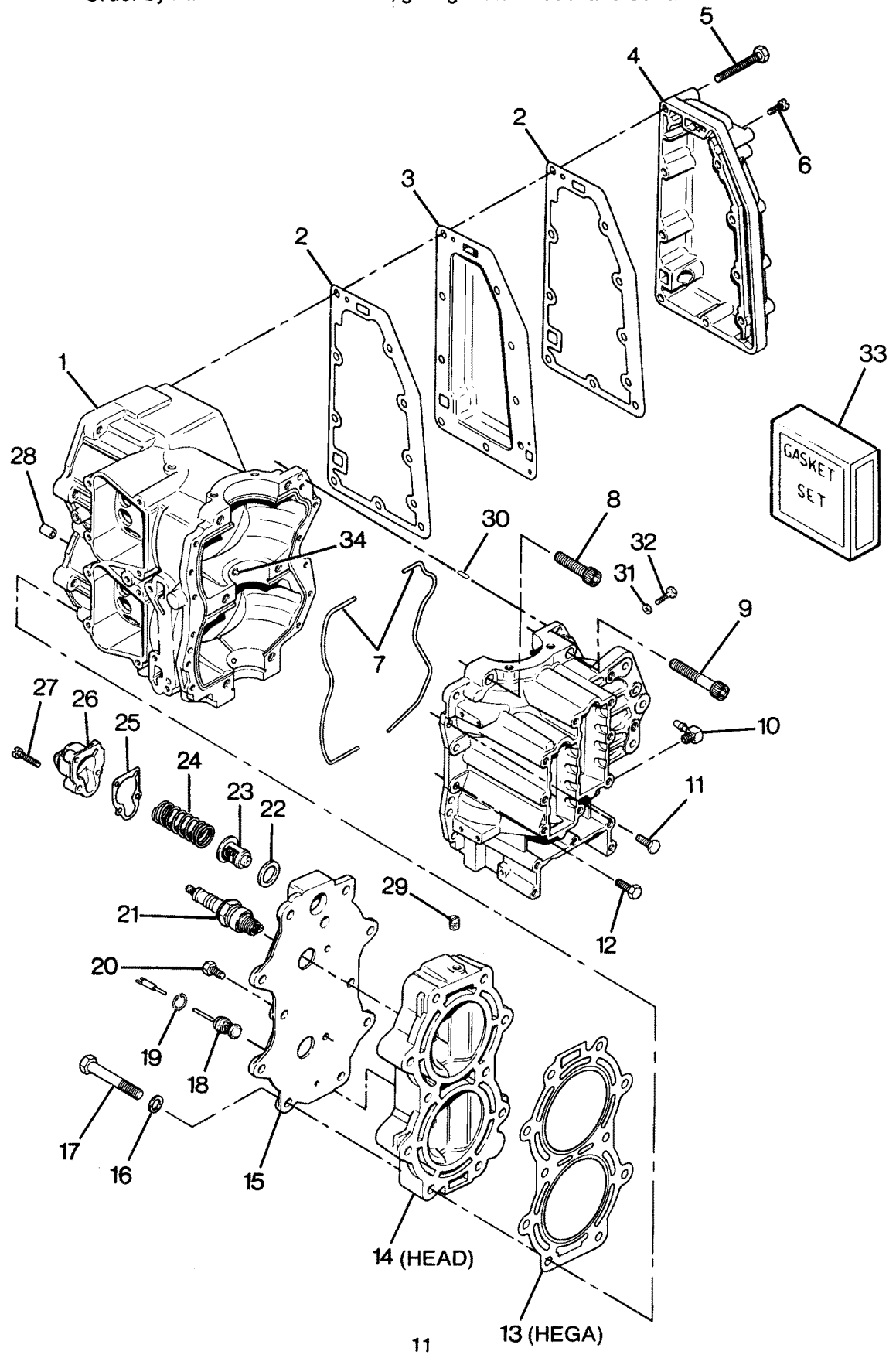
# CARBURETOR



# CARBURETOR

REF. NO.	PART NO.	SYM.	QTY.	DESCRIPTION
40	F391926-1		1	CHOKE SOLENOID PLUNGER
41	F2033		1	GROVE PIN
42	F1997		1	STOP NUT 8-32
43	F92759		1	ROLLER
44	F333316		1	THROTTLE ROLLER SHAFT

# CYLINDER BLOCK, HEAD AND EXHAUST CHEST COVER



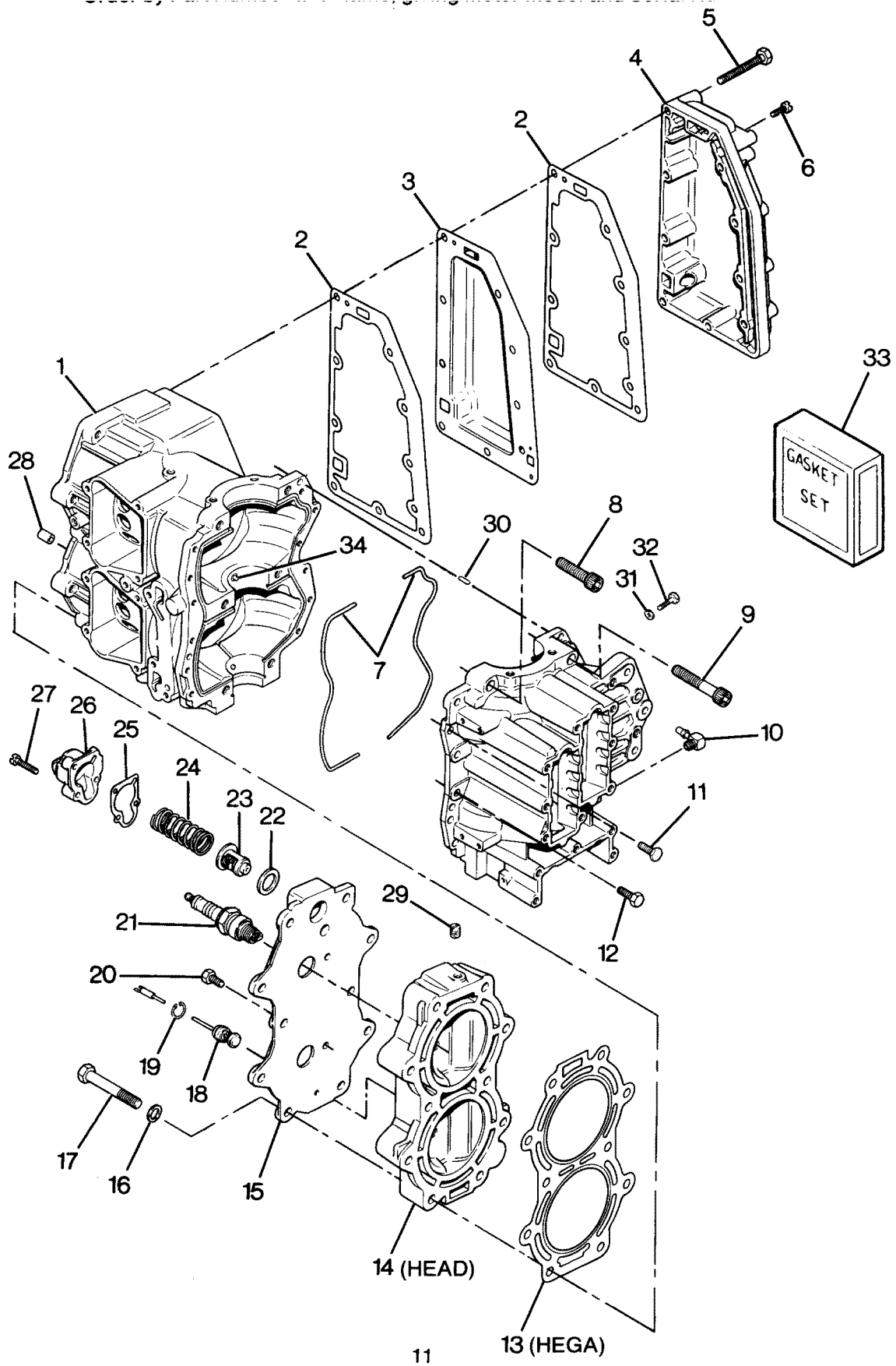


# CYLINDER BLOCK, HEAD AND EXHAUST CHEST COVER

REF. NO.	PART NO.	SYM.	QTY.	DESCRIPTION
1	FA658010		1	CYLINDER W/CRANKSHAFT COVER AND DEFLECTOR PLATE
-	<b>FC658010</b>		<b>1</b>	<b>SHORT BLOCK. INCLUDES ALL ITEMS MARKED WITH AN (*). ALSO REFER TO CRANKSHAFT PAGE.</b>
2	F40154-4		0	GASKET, EXHAUST PORT PLATE
3	F40151-2		1	PLATE, EXHAUST PORT
4	F658152		1	COVER, EXHAUST PORT
5	F1971		9	SCREW, EXHAUST PORT, 1/4-20 X 2 1/8 HEX HM.
6	F1974		2	SCREW, TERMINAL BLOCK MTG., #10-24 X 5/8 SL PAN HM
7	F184122-1		*	SEAL, CRANKCASE PARTING LINE
8	F1879		5	SCREW, CRANKCASE COVER TO CYLNDR 3/8 - 16 X 1 5/8 HX SOC HC
9	F1646		1	SCREW, CRANKCASE COVER TO CYLINDER 3/8 - 16 X 2 1/4 H SOC
10	F463314		1	ELBOW, CHECK VALVE
11	F1922		3	SCREW, CRANKCASE TO CYLINDER, SMALL HD. 1/4 - 20 X 5/8
12	F1864		9	SCREW, CRANKCASE TO CYLINDER, LARGE HD. 1/4 - 20 X 3/4
13	F658529		0	GASKET, CYLINDER HEAD
14	F658518		1	HEAD, CYLINDER
15	F658995		1	COVER, CYLINDER HEAD
16	F8039		10	WASHER, CYLINDER HEAD BOLTS
17	F2091		10	SCREW, CYLINDER HEAD & COVER TO CYLINDER
18	F658449		1	THERMOSWITCH W/WIRE
19	F658208		1	RETAINING RING
20	F1502		2	SCREW, CYLINDER HEAD COVER TO CYLINDER HEAD
21	33-82370M		2	SPARK PLUG, L-82-C
22	F658504		1	WASHER, THERMOSTAT
23	F97068-2		1	THERMOSTAT
24	F658268		1	SPRING, THERMOSTAT
25	F97067		1	GASKET, THERMOSTAT COVER
26	F658066		1	COVER, THERMOSTAT
27	F1995		3	SCREW, THERMOSTAT COVER TO CYLINDER HEAD #10 - 24 X 1
28	F658418		1	TUBE, COOLING SYSTEM
29	F19109		1	PLUG
30	F8559		2	PIN, DOWEL
31	F8096		1	LOCKWASHER, SPRING
32	F1857		1	SCREW, HEX CAP, 5/16 - 18 X 18 X 5/8
33	FG1024		1	GASKET SET <b>INCLUDES ITEMS MARKED W/</b> (
-	<b>F40154-4</b>		<b>0</b>	<b>GASKET, EXHAUST PORT PLATE</b>
-	<b>F40223</b>		<b>0</b>	<b>GASKET, TRANSFER PORT COVER</b>
-	<b>F40833-4</b>		<b>0</b>	<b>GASKET, IDLE RELIEF COVER</b>
-	<b>F40906-1</b>		<b>0</b>	<b>GASKET, CARBURETOR</b>
-	<b>F93472-1</b>		<b>0</b>	<b>GASKET, CYLINDER DRAIN COVER</b>

CONTINUED ON NEXT PAGE ➡

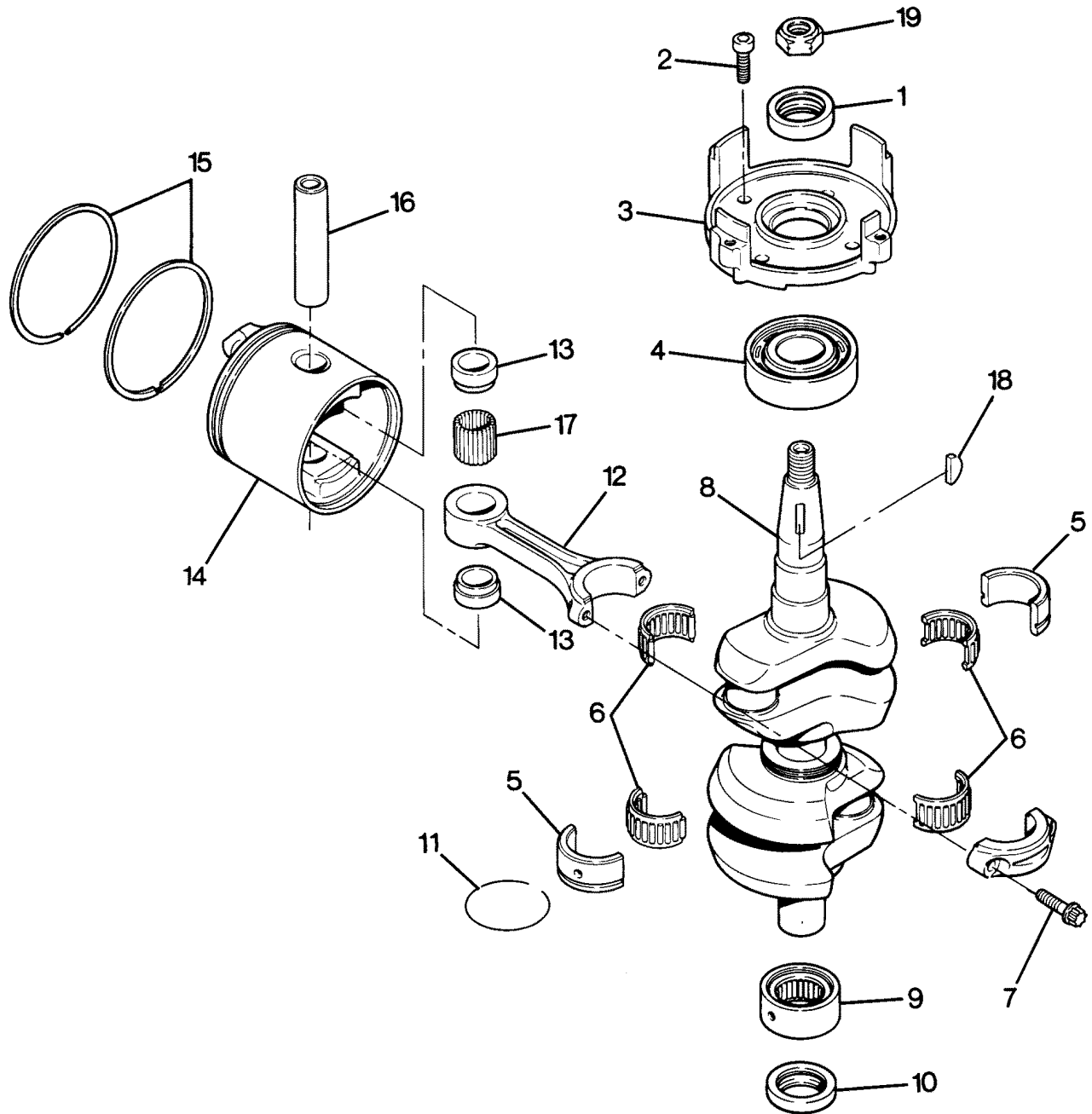
# CYLINDER BLOCK, HEAD AND EXHAUST CHEST COVER



# CYLINDER BLOCK, HEAD AND EXHAUST CHEST COVER

REF. NO.	PART NO.	SYM.	QTY.	DESCRIPTION
-	F93748-1		0	GASKET, CYLINDER DRAIN REED PLATE
-	F97067		0	GASKET, THERMOSTAT COVER
-	F658529		0	GASKET, CYLINDER HEAD
-	F184122-1		0	SEAL, CRANKCASE PARTING LINE
-	F307279-2		0	GASKET, CYLINDER EXHAUST-UPPER
-	F40279-1		0	GASKET, CYLINDER EXHAUST-LOWER
-	F366277		0	GASKET, BEARING CAGE
-	F433168		0	GASKET, CARBURETOR ADAPTER
-	F433406		0	GASKET, DEFLECTOR PLATE
34	F40909		1	PIN, LOCATING

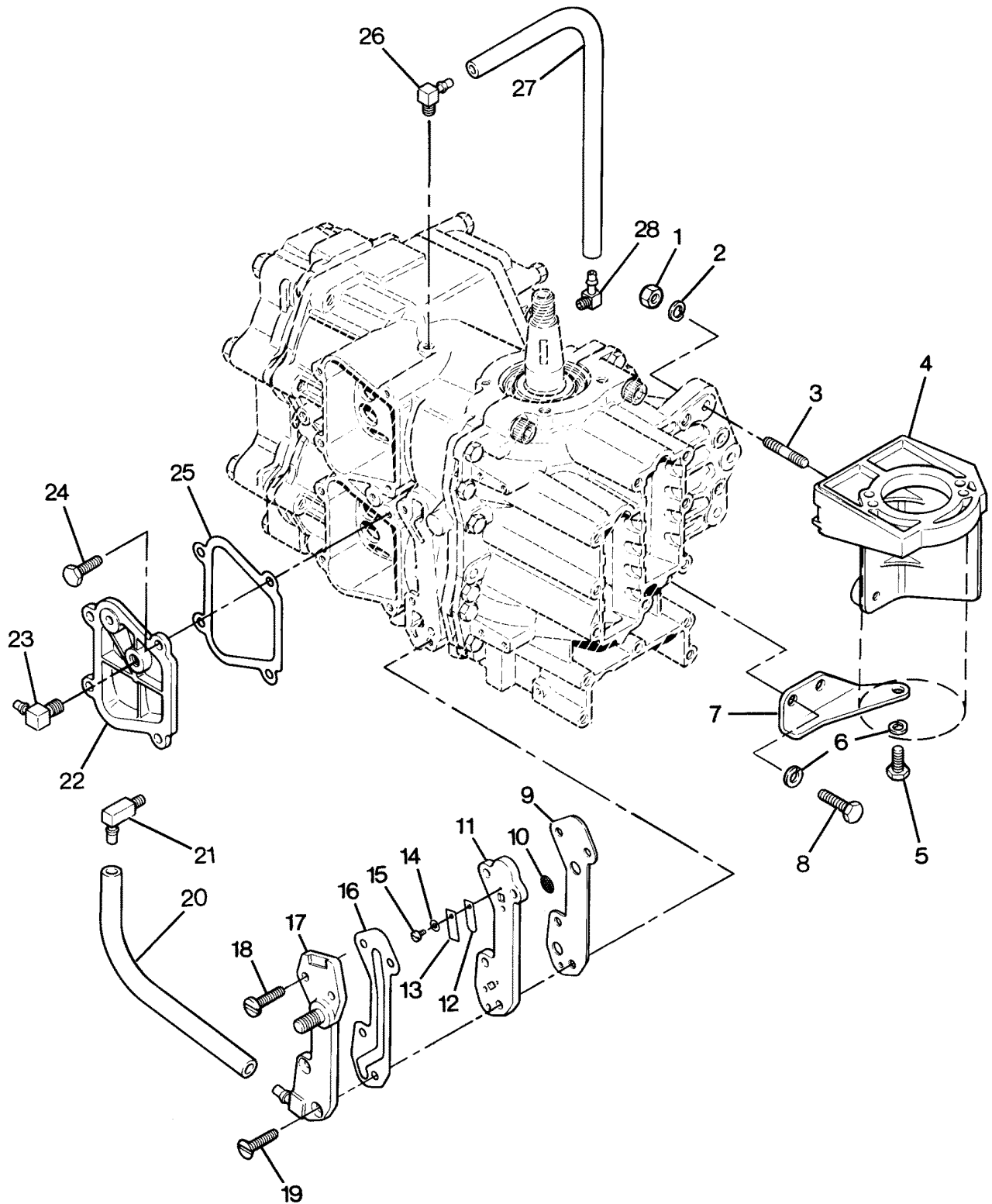
# CRANKSHAFT & PISTON



# CRANKSHAFT & PISTON

REF. NO.	PART NO.	SYM.	QTY.	DESCRIPTION
1	F474146		1	SEAL, CRANKSHAFT, UPPER
2	F2081		4	SCREW, BEARING CAGE TO CYLINDER, 1/4 - 20 X 7/8, PAN HD
3	F658144		1	CAGE, CRANKSHAFT BEARING W/CRANKSHAFT SEAL (474146)
4	F658013		1	BEARING, CRANKSHAFT, UPPER MAIN
5	FA40655		1	RACE, CRANKSHAFT CENTER MAIN BEARING W/SNAP RING (40410)
6	FK85228-1		3	CAGE, BEARING WITH ROLLERS (16 PER SET)
7	F85634-2		4	SCREW, CONNECTING ROD
8	F658018		1	CRANKSHAFT W/UPPER CRANKSHAFT BEARING (658013)
9	F90014		1	BEARING, CRANKSHAFT, LOWER MAIN
10	F40146-1		1	SEAL, CRANKSHAFT, LOWER
11	F40410		1	SNAP RING
12	600-818052A4		2	ROD, CONNECTING W/CAP AND SCREWS (85634-2)
13	F335215		4	SPACER, PISTON PIN
14	F658015		2	PISTON (STANDARD)
-	<b>FSA658015</b>		<b>2</b>	<b>PISTON (.010 OVER)</b>
-	<b>700-818130A1</b>		<b>2</b>	<b>PISTON (.030 OVER)</b>
15	FA658260		2	RING SET (STANDARD)
-	<b>FSA658260</b>		<b>2</b>	<b>RING SET (.010 OVER)</b>
-	<b>39-818131A1</b>		<b>2</b>	<b>RING SET (.030 OVER)</b>
16	F658017		2	PIN, PISTON
17	F335217-1		1	BEARING, PISTON PIN
18	F85498-1		1	FLYWHEEL KEY
19	F1968		1	FLYWHEEL NUT, 3/4-16

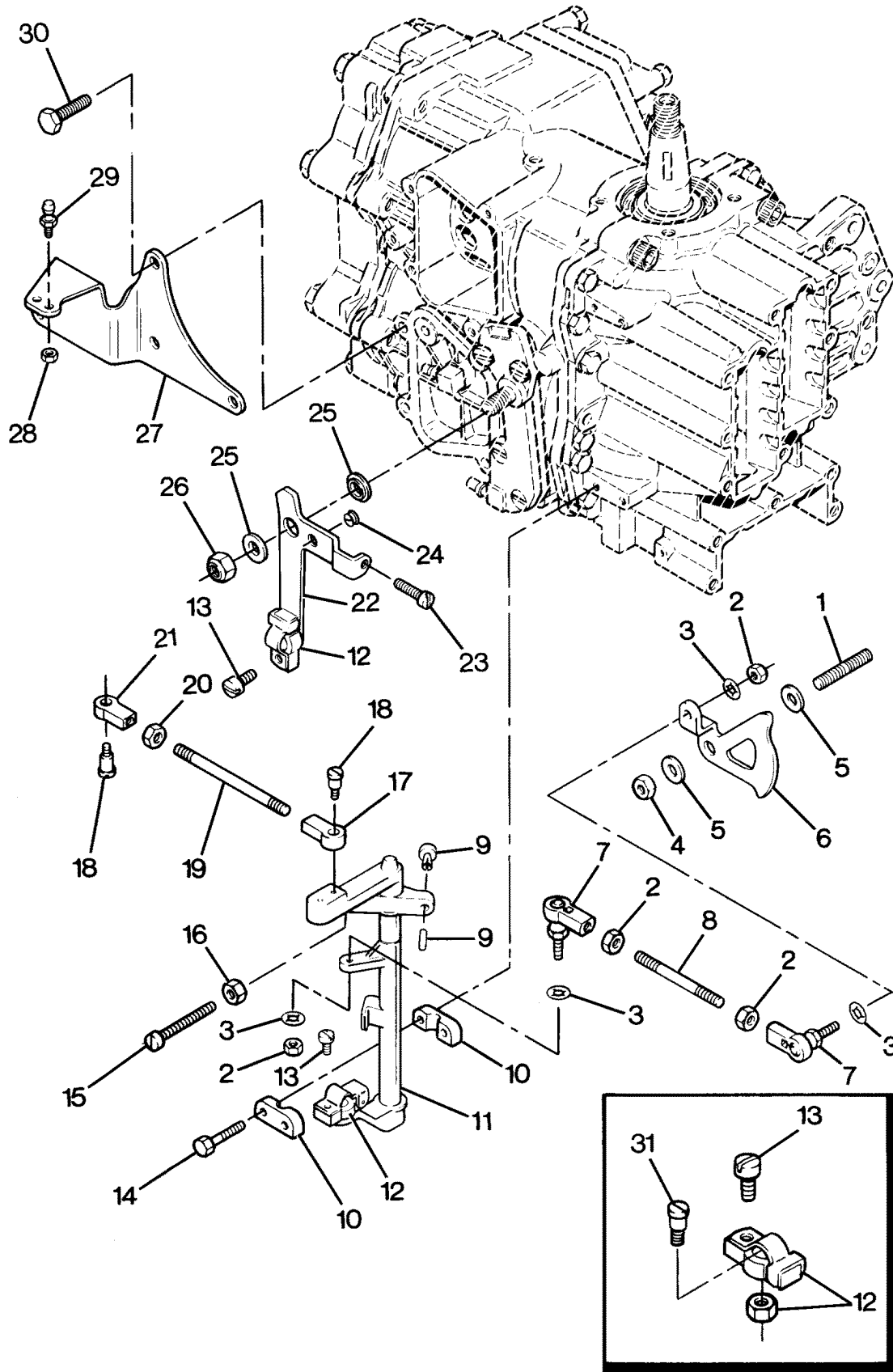
# RECIRCULATION SYSTEM & STARTER BRACKETS



## RECIRCULATION SYSTEM & STARTER BRACKETS

REF. NO.	PART NO.	SYM.	QTY.	DESCRIPTION
1	F1515		3	NUT, HEX, 5/16-18
2	F8096		3	LOCKWASHER, SPRING
3	F307211		3	STUD
4	F345427-1		1	BRACKET, STARTER MOUNTING
5	F1854		1	SCREW, HEX SLOT HD, 1/4 - 20 X 5/8
6	F8083		3	LOCKWASHER, SPRING
7	F575675		1	BRACKET, STARTER MOUNTING, LOWER
8	F1854		2	SCREW, 1/4 - 20 X 5/8
9	F93748-1		1	GASKET, CYLINDER DRAIN REED PLATE
10	F93811		2	SCREEN, CYLINDER DRAIN REED PLATE
11	F3A433757		1	REED PLATE, CYLINDER DRAIN <b>W/#1286, #8003, #93920, #18160-3 AND #93811</b>
12	F18160-3		2	REED, CYLINDER DRAIN
13	F93920		2	REED STOP, CYLINDER DRAIN
14	F8003		2	WASHER, PLAIN
15	F1286		2	SCREW, PAN HD., 4 - 40 X 3/16
16	F93472-1		1	GASKET, CYLINDER DRAIN COVER
17	FA433471		1	COVER, CYLINDER DRAIN W/FITTING
18	F1446		2	SCREW, SLOTTED PAN HD., 1/4 - 20 X 1
19	F1136		2	SCREW, FLAT HD., 1/4 - 20 X 1
20	F433254		1	HOSE
21	F404801		1	ELBOW
22	FA411222		1	COVER, TRANSFER PORT <b>W/LITERATURE</b>
23	F84314-2		1	ELBOW, FUEL LINE
24	F1922		5	SCREW, HEX HD., 1/4 - 20 X 5/8
25	F40223		0	GASKET, TRANSFER PORT COVER
26	F84314-2		1	ELBOW, FUEL
27	F433758		1	HOSE, LOWER MAIN BEARING TO ELBOW
28	F463314		1	ELBOW W/CHECK VALVE

# SHIFT AND THROTTLE LINKAGE

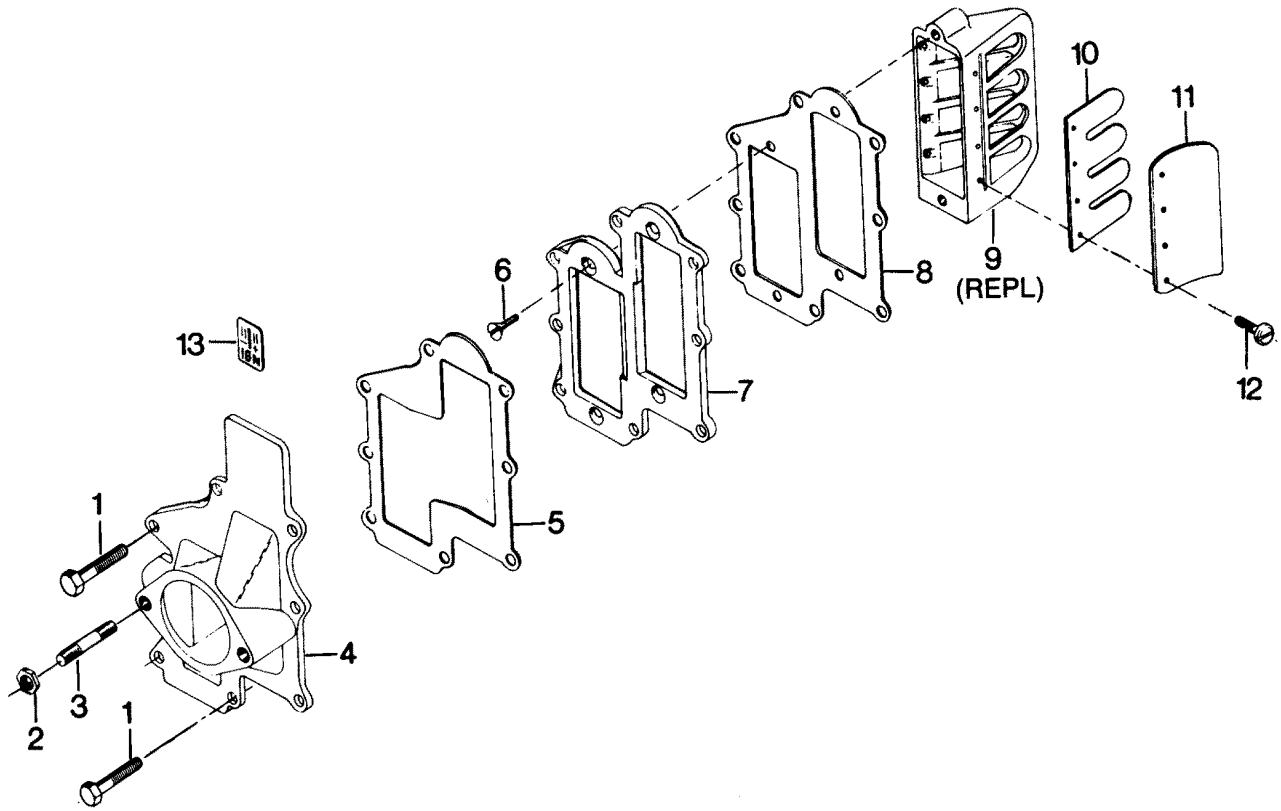




# SHIFT AND THROTTLE LINKAGE

REF. NO.	PART NO.	SYM.	QTY.	DESCRIPTION
1	F433209-1		1	STUD, THROTTLE CAM
2	F1513		4	NUT, HEX, 10 - 32
3	F8058		4	WASHER, TOOTH, EXTERNAL
4	F7008		1	NUT, ELASTIC, STOP, 1/4 - 20
5	F269319		2	BEARING, THROTTLE CAM
6	F433192		1	CAM, THROTTLE
7	817747--1		2	BEARING W/BALL JOINT
8	F85502		1	LINK, THROTTLE
9	F1727		1	RIVET, PLASTIC
10	F433689		4	BEARING, TOWERSHAFT
11	FK433838		1	TOWERSHAFT <b>W/#K405020, #1052, #1341 AND LITERATURE</b>
12	FK405020		1	SWIVEL W/#405457 AND NUT
13	F1556		2	SCREW, FILL HD. W/LOCKWASHER, 10 - 24 X 3/8
14	F1995		4	SCREW, FILL HD., 10 - 24 X 1
15	F1052		1	SCREW, FILL HD., 1/4 - 20 X 1
16	F1341		1	NUT, HEX
17	F84036		1	BEARING, SPARK CONTROL, L.H.
18	F84026		2	SWIVEL, SPARK CONTROL
19	F658445		1	LINK, SPARK CONTROL
20	F1473		1	NUT, HEX, 10-24
21	F84035-2		1	BEARING, SPARK CONTROL, R.H.
22	817793A1		1	SHIFT ARM W/#K405020 AND #85610
23	F2207		1	SCREW, FILL HD., 1/4 - 20 X 3/4
24	F85610		1	BEARING
25	F269052		2	BEARING, SHIFT ARM
26	F7004		1	NUT, STOP, 7/16 - 20
27	817746A1		1	BRACKET, CONNECTOR STUD <b>W/LITERATURE ORIGINAL FORCE P/N A267371-1</b>
28	F1804		2	NUT, STOP 10 - 32
29	F98273		2	STUD, ROD END CONNECTOR
30	F1864		3	SCREW, HEX CAP, 1/4 - 20 X 3/4
31	F405457		1	SCREW, PIVOT

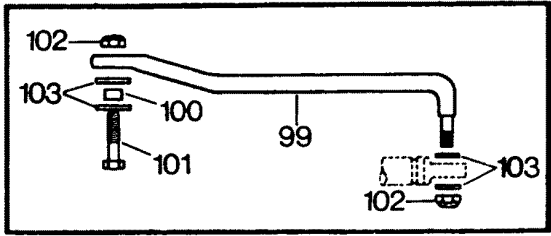
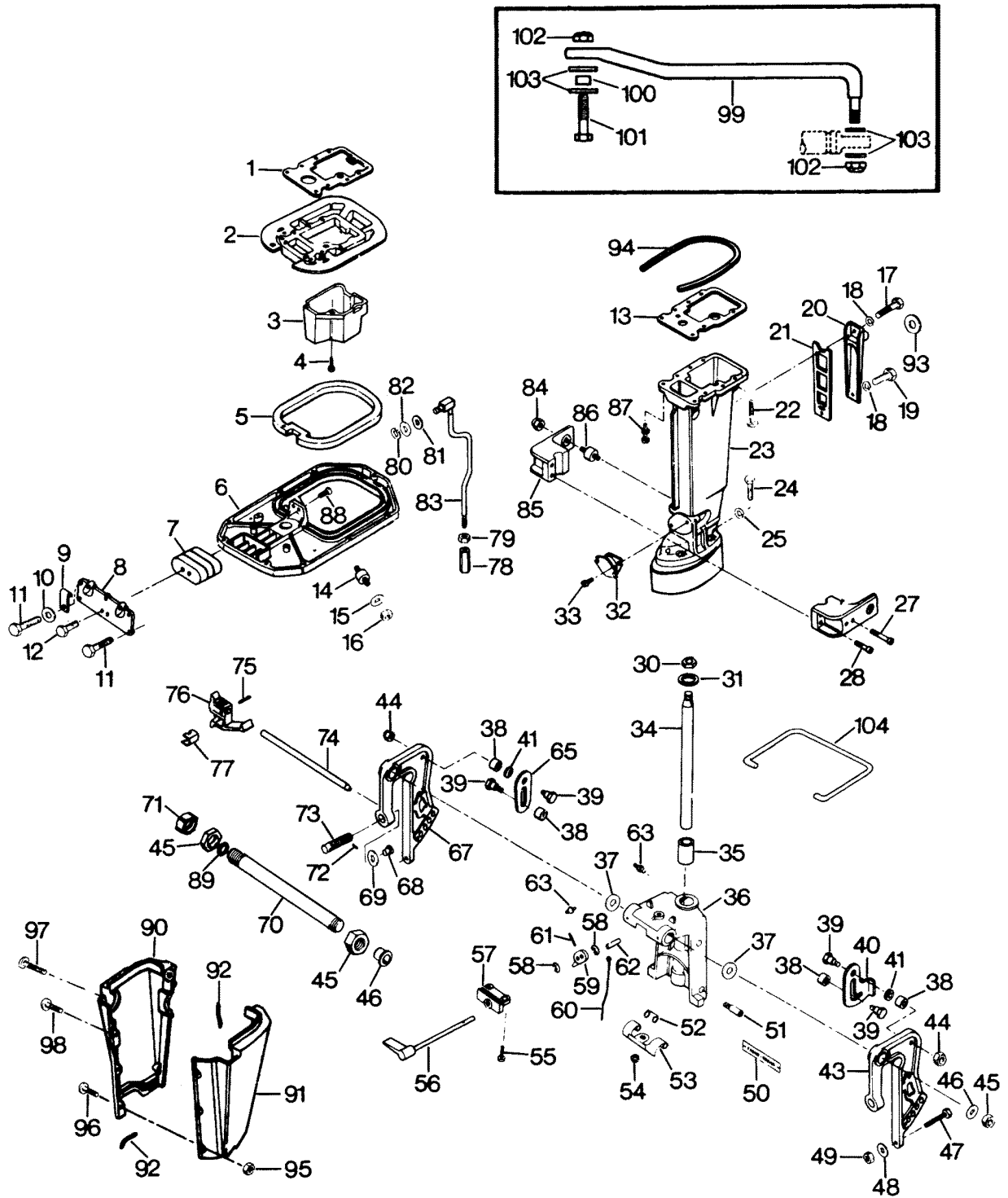
# REED PLATE AND ADAPTER FLANGE



## REED PLATE AND ADAPTER FLANGE

REF. NO.	PART NO.	SYM.	QTY.	DESCRIPTION
1	F2008		8	HEX HD SCREW, 1/4 - 20 X 7/8
2	F1515		2	HEX NUT, 5/16 - 18
3	F40209		2	CARBURETOR STUD
4	FA433167		1	CARBURETOR ADAPTER FLANGE <b>W/ILLUS. 3</b>
5	F433168		1	CARBURETOR ADAPTER GASKET
6	F1141		4	FLAT HD SCREW, 10 - 24 X 1/2
7	F433404		1	DEFLECTOR PLATE
8	F433406		1	DEFLECTOR PLATE GASKET
9	FA658158		2	REED PLATE <b>W/ILLUS. 10, 11 AND 12</b>
10	F316160		4	REED
11	F88161-4		4	REED STOP
12	F1755		16	ROUND HD SCREW W/LOCKWASHER, 6 - 32 X 1/4
13	37-817792A1		1	DECAL, TIMING <b>W/LITERATURE ORIGINAL FORCE P/N A 433387-1</b>

# MOTOR LEG

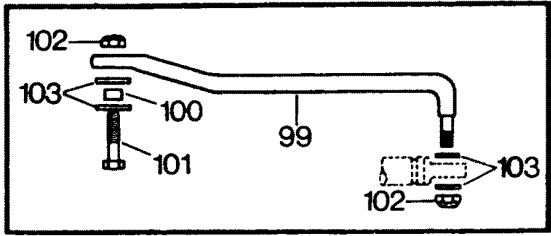
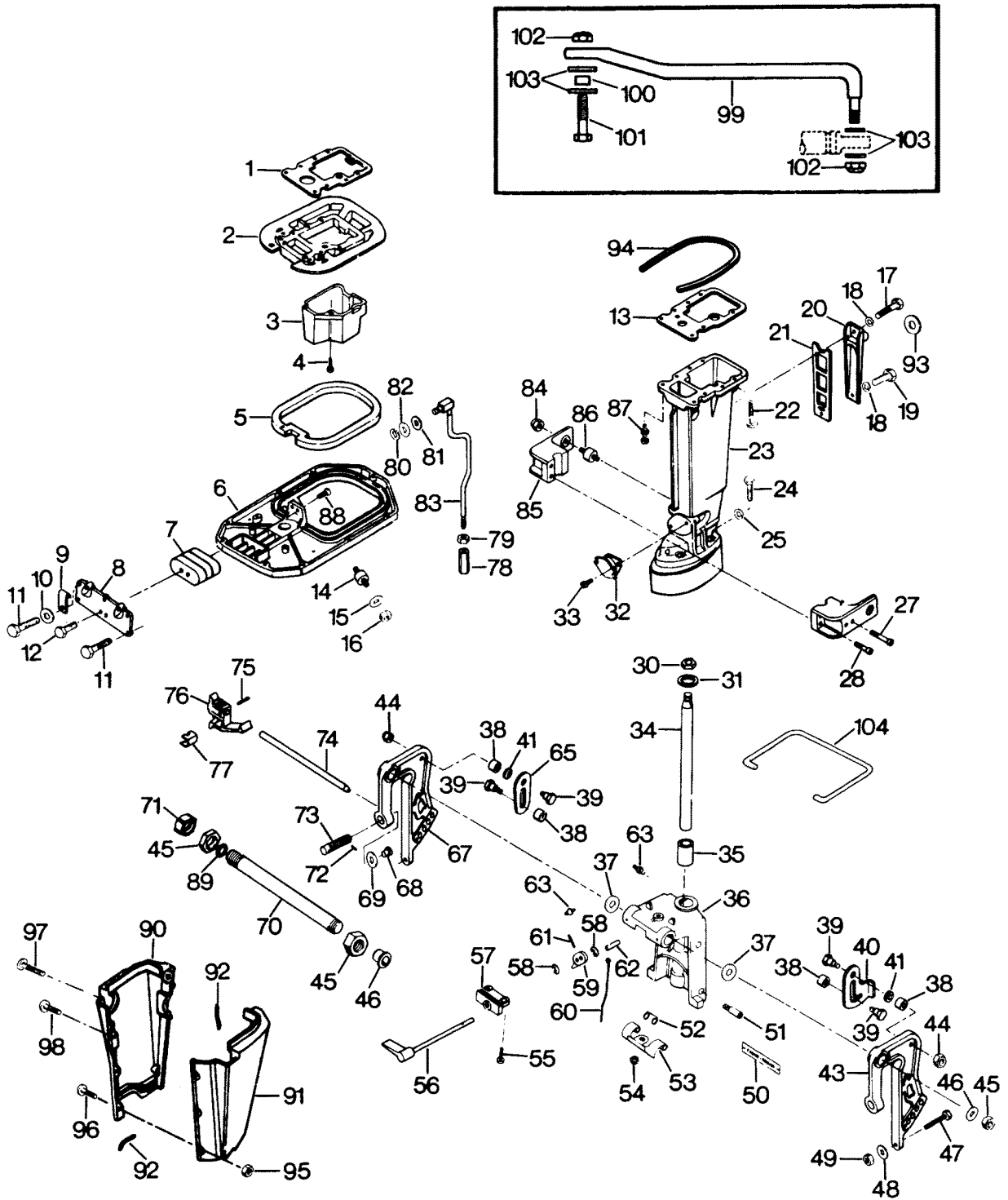


# MOTOR LEG

REF. NO.	PART NO.	SYM.	QTY.	DESCRIPTION
1	F307279-2		1	CYLINDER EXHAUST GASKET UPPER
2	F658680		1	SPACER PLATE
3	F307660-1		1	LEG EXHAUST TUBE
4	F1851		3	FILL HD M. SCREW W/LOCKWASHER, 10 - 24 X 1/2
5	26-817766A1		1	SEAL, KINGPIN PLATE <b>W/LITERATURE ORIGINAL FORCE P/N A 307989-1</b>
6	FS307940		1	KINGPIN PLATE
7	F203965		1	SHOCK MOUNT UPPER
8	F433946		1	SHOCK MOUNT UPPER COVER
9	F286772-1		1	CLAMP
10	F8025		1	PLAIN WASHER
11	F1922		5	HEX CAP SCREW, 1/4 - 20 X 5/8
12	F1211		2	HEX HD SCREW W/LOCKWASHER, 1/4 - 28 X 5/8
13	F40279-1		1	CYLINDER EXHAUST GASKET LOWER
14	F307962		2	SHOCK MOUNT - SIDE - UPPER
15	F8038		2	PLAIN WASHER
16	F1346		2	HEX NUT, 3/8 - 16
17	F1849		1	HEX HD SCREW, S.S., 1/4 - 20 X 1-3/8
18	F8083		2	SPRING LOCKWASHER
19	F1199		1	HEX HD SCREW, 1/4 - 20 X 1
20	FA89832-2		1	MOTOR LEG EXHAUST COVER <b>W/ILLUS. 17 &amp; 19</b>
21	F40833-4		1	MOTOR LEG EXHAUST COVER GASKET
22	F1905		1	FILL HD SCREW, 1/4-20 X 3-7/16
23	F435133-3		1	MOTOR LEG
24	F1929		4	HEX HD CAP SCREW, S.S., 3/8 - 16 X 1-1/8
25	F8065		4	SPRING LOCKWASHER
26	F433973		1	SHOCK MOUNT LOWER COVER - PORT
27	F1635		2	HEX SOCKET HD CAP SCREW, S.S., 3/8 - 16 X 3-1/2
28	F1636		2	HEX SOCKET HD CAP SCREW, S.S., 3/8 - 16 X 1-1/4
30	F84280		1	KINGPIN NUT
31	F89011		1	SWIVEL BRACKET WASHER
32	F183346-1		1	SHOCK MOUNT LOWER
33	F1129		4	FILL HD SCREW, S.S., 5/16 - 18 X 1/2
34	819331A2		1	KINGPIN
35	F191169-1		2	SWIVEL BRACKET BEARING
36	FA613072		1	SWIVEL BRACKET <b>W/ILLUS. 35 &amp; 63</b>
37	F522286		2	STERN BRACKET FRICTION WASHER
38	F269929		4	SPACER, TILT STOP
39	F366350-1		4	TILT STOP PIVOT
40	F366426		1	TILT STOP - PORT
41	F1666		2	BOWED SPRING WASHER
43	F522532-1		1	STERN BRACKET - PORT
44	F7007		4	NUT

CONTINUED ON NEXT PAGE ➡

# MOTOR LEG

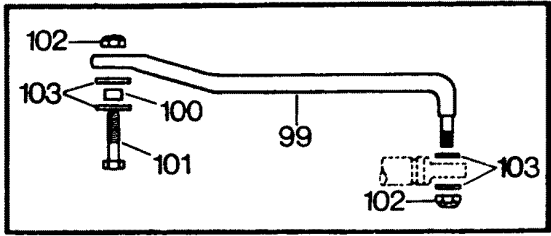
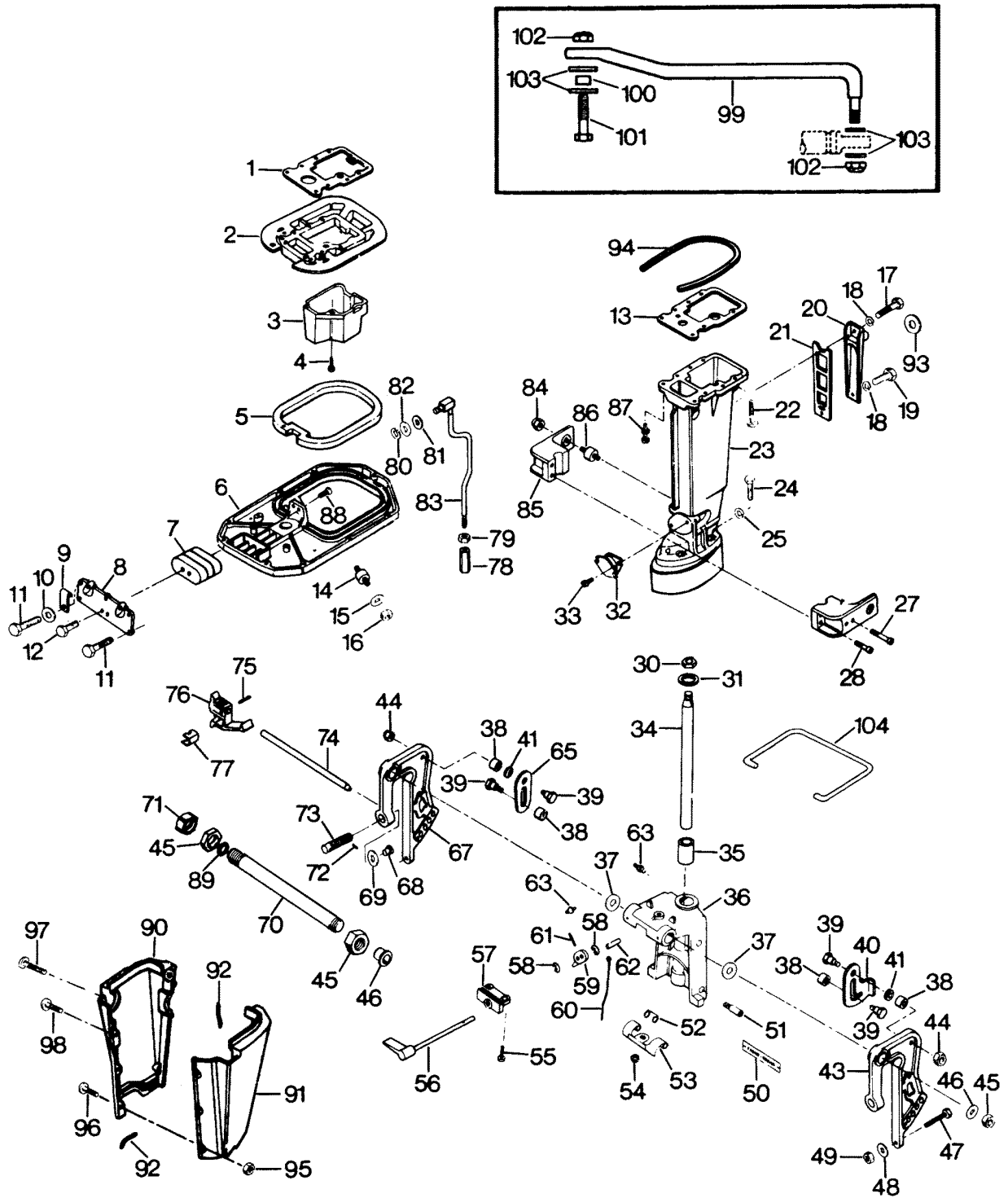


# MOTOR LEG

REF. NO.	PART NO.	SYM.	QTY.	DESCRIPTION
45	F1600		2	LOCK NUT, PIVOT TUBE
46	F9052		2	PLASTIC PLUG, PIVOT TUBE
47	F1593		2	HEX HD SCREW, S.S., 3/8 - 16 X 3
48	F1904		2	PLAIN WASHER
49	F1346		2	HEX NUT, S.S., 3/8 - 16
50	F544390-1		1	DECAL, TILT LOCK
51	F366886		2	PIN
52	F366300		2	REVERSE LOCK SPRING
53	F366349		1	REVERSE LOCK
54	F1669		1	STOP NUT
55	F1733		2	PAN HD SCREW, 10 - 24 X 9/16
56	817944A2		1	HANDLE AND SHAFT <b>W/ILLUS. 58, 62 AND LITERATURE ORIGINAL FORCE P/N K 366827-1</b>
57	F522884		1	BEARING, REVERSE LOCK SHAFT
58	F2088		2	FASTENER
59	F366364		1	ARM, REVERSE LOCK
60	F366510-1		1	LINK, REVERSE LOCK
61	F1836		1	SPRING PIN
62	F197813		1	BEARING, REVERSE LOCK SHAFT REAR
63	F213274		3	GREASE FITTING
65	F366433		1	TILT STOP, STARBOARD
67	F522032		1	STERN BRACKET - STARBOARD
68	F353480		2	STUD
69	F24074		2	CLAMP SCREW FOOT
70	F522125-1		1	TUBE, PIVOT STEERING
71	F9018		1	PLASTIC CAP, PIVOT TUBE
72	F8538		2	SPRING PIN
73	F474073-1		2	CLAMP SCREW
74	FA433113		1	STERN BRACKET LOCK BAR <b>W/ILLUS. 75, 76 &amp; 77</b>
75	F1744		1	SPRING PIN
76	F433114		1	HANDLE, LOCK BAR
77	F286461		1	SPRING LOCK BAR HANDLE
78	F141704		1	GEAR SHIFT ROD COUPLING
79	F1349		1	HEX NUT, S.S., 5/16 - 18
80	F185764		1	RETAINING RING
81	F8049		1	BOWED SPRING WASHER
82	F1987		1	PLAIN WASHER
83	F307615-1		1	GEAR SHIFT ROD UPPER
84	F1326		2	ACORN NUT, S.S., 5/16 - 18
85	F433972		1	SHOCK MOUNT LOWER COVER - STARBOARD
86	F215962		2	SHOCK MOUNT SIDE LOWER
87	F1947		8	FLANGED 12 POINT SCREW, 5/16 - 18 X 2
88	F1160		2	FLAT HD SCREW, 1/4 - 28 X 5/8

CONTINUED ON NEXT PAGE ➡

# MOTOR LEG

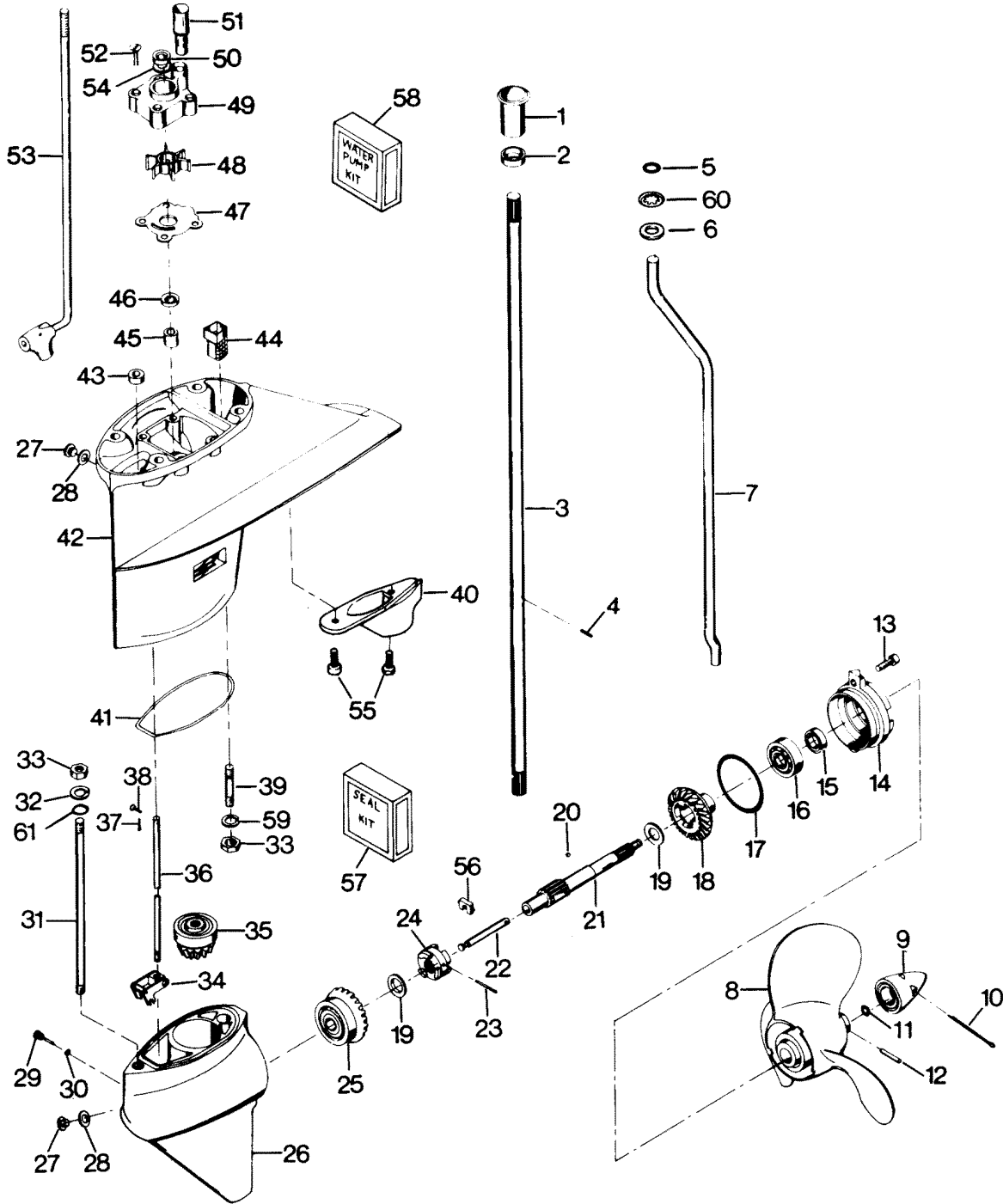




# MOTOR LEG

REF. NO.	PART NO.	SYM.	QTY.	DESCRIPTION
89	F316599		1	SEAL, PIVOT TUBE
90	FA435135		1	COVER, LEG ST'BD <b>W/ILLUS. 92</b>
91	FA435145		1	COVER, LEG PORT <b>W/ILLUS. 92</b>
92	F435323		3	PACKING, LEG COVER LOWER
93	F89504		1	GROMMEL, MOTOR LEG EXHAUST COVER
94	F89025		1	PAD, DAMPENING - LEG COVER
95	F1473		6	HEX M. SC. NUT 3 10 - 24
96	F1733		3	PAN HD. M. SC., #10 - 24 X 9/16
97	F1767		1	FILL HD. M. SC., #10 - 24 X 3
98	F1768		2	FILL HD. M. SC., #10 - 24 X 1-3/8
99	F5H141		1	LINK, STEERING <b>W/ILLUS. 100, 101, 102, 103</b>
100	F522359		1	SPACER, STEERING LINK
101	F2073		1	HEX CAP SCREW 3/8 - 24 X 1-5/8
102	F2093		2	STOP NUT
103	F8083		4	PLAIN WASHER
104	F5H084		1	TRAILERING TILT LOCK

# GEAR HOUSING

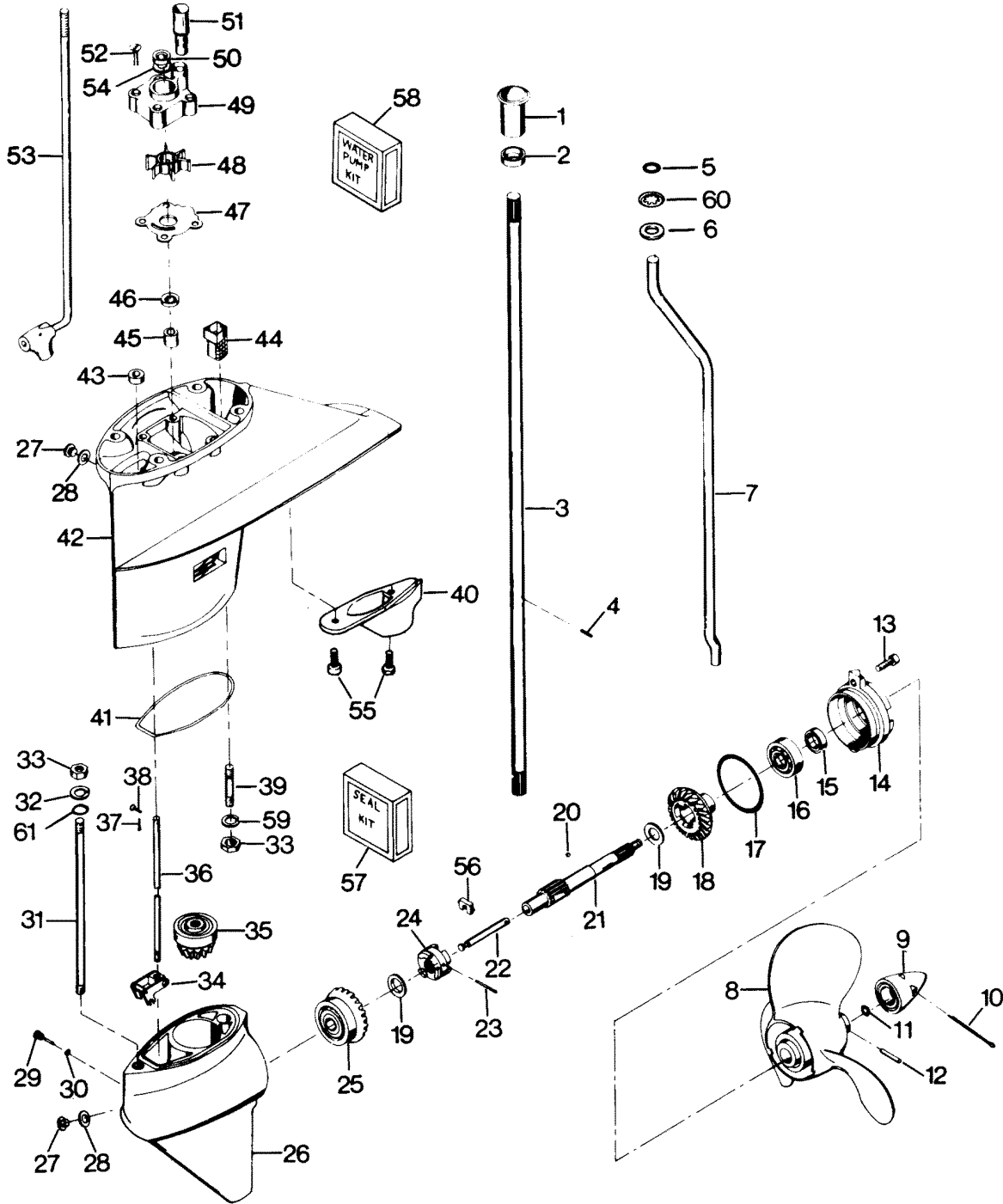


# GEAR HOUSING

REF. NO.	PART NO.	SYM.	QTY.	DESCRIPTION
1	F338129-1		1	SEAL, DRIVESHAFT SPLINE
2	F338271		1	RETAINER
3	FA89128-1		1	DRIVESHAFT <b>WILLUS. 2</b>
4	F901563		1	DRIVE PIN, WATER PUMP IMPELLER
5	F40342		1	SEAL
6	F8042		1	PLAIN WASHER
7	F435244		1	INLET WATER LINE
8	FP293		1	PROPELLER (ACCESSORY ITEM)
9	FA94094-2		1	PROPELLER NUT <b>WILLUS. 10 AND 11</b>
10	F1027		1	COTTER PIN, S.S., 1/8 - 1/2
11	F40342		1	SEAL, PROPELLER NUT
12	FK247		1	PROPELLER PIN, PACK OF 6 <b>WILLUS. 10</b>
13	F1263		2	HEX SOCKET HD CAP SCREW, S.S., 5/16 - 18 X 9/16
14	31-817731A5		1	PROPELLER SHAFT BEARING CAGE. <b>INCLUDES ITEMS 15, 16 AND 17 ORIGINAL FORCE P/N 2A 366298-1</b>
15	F141118		1	SEAL, PROPELLER SHAFT
16	F366058		1	BALL BEARING, PROPELLER SHAFT
17	F141305		1	SEAL, PROPELLER SHAFT BEARING CAGE
18	FA485662		1	BEVEL GEAR REAR W/BEARING
19	F40717		2	THRUST WASHER, BEVEL GEAR
20	F366727		1	BALL, PROPELLER SHAFT
21	44-819500A3		1	PROPELLER SHAFT ASSEMBLY
22	F90871-3		1	GEAR SHIFT ARM PIN
23	F2097		1	SPRING PIN
24	F99521-1		1	CLUTCH
25	43-817824A2		1	BEVEL GEAR FRONT W/BEARING AND CUP
26	FA486054		1	GEAR HOUSING LOWER W/THRUST BEARING CUP AND <b>WILLUS. 27, 28, 29 AND 30</b>
-	<b>FC486054</b>		1	<b>GEAR HOUSING KIT. INCLUDES ALL ITEMS MARKED WITH AN ASTERISK (*)</b>
27	F50109		2	PLUG, GEAR HOUSING
28	F8077		2	WASHER, GEAR HOUSING PLUG
29	F498891		1	GEAR SHIFT ARM PIVOT PIN
30	F498618		1	SEAL, O-RING
31	F97008-1		1	STUD, LONG
32	F2014		1	WASHER, PLAIN
33	F1346		2	HEX NUT, S.S., 3/8 - 16
34	817796A2		1	GEAR SHIFT ARM ASSEMBLY
35	F2A474266		1	BEVEL PINION W/BEARING
36	F435705		1	GEAR SHIFT ROD LOWER
37	F1015		1	COTTER PIN
38	F85372		1	PIN, GEAR SHIFT ROD LOWER
39	F40008		1	STUD, SHORT
40	FA435116		1	EXHAUST, SNOOT <b>W/LITERATURE</b>

CONTINUED ON NEXT PAGE ➡

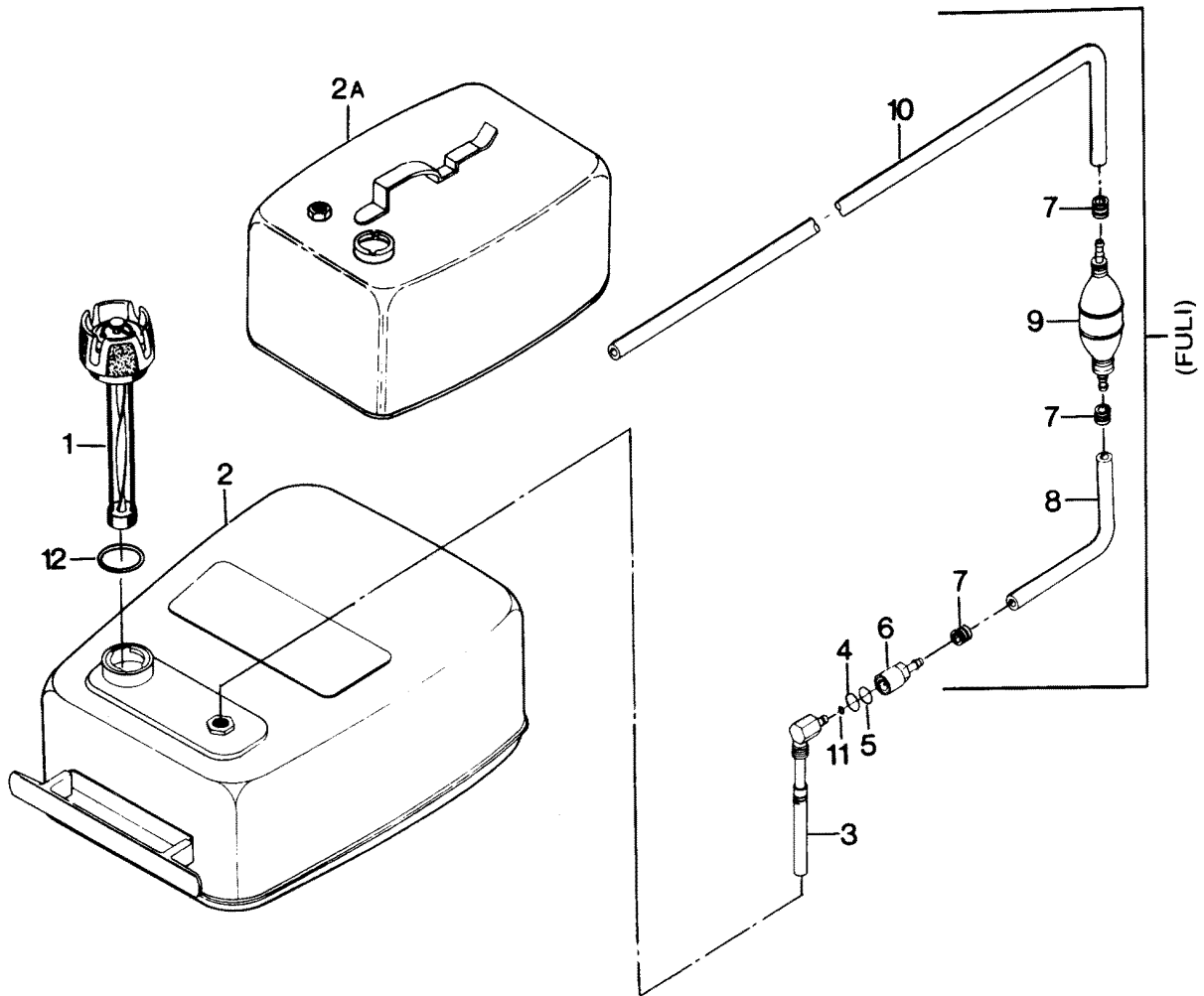
# GEAR HOUSING



# GEAR HOUSING

REF. NO.	PART NO.	SYM.	QTY.	DESCRIPTION
41	F435555		1	SEAL, GEAR HOUSING
42	FA545554		1	GEAR HOUSING UPPER <b>W/ILLUS. 27, 28, 39, 40, 43, 44, 45, 46 AND 55</b>
43	F338618-1		1	SEAL, SHIFT ROD LOWER
44	F435077		1	SCREEN, WATER INLET
45	F435057		1	BEARING, DRIVESHAFT UPPER
46	F40307-2		1	SEAL, DRIVESHAFT
47	F435562		1	WATER PUMP BACK PLATE
48	F433065-2		1	WATER PUMP IMPELLER
49	FA463060		1	WATER PUMP BODY <b>W/ILLUS. 50, 51 AND 54</b>
50	F349307		1	DRIVESHAFT SEAL - WATER PUMP
51	FA485914		1	SEAL, INLET WATER LINE, LOWER <b>W/LITERATURE</b>
52	F2030		4	HEX HD SCREW, S.S., 1/4 - 20 X 1-1/4
53	FA435616		1	GEAR SHIFT ROD INTERMEDIATE
54	485388		1	DISC, WATER PUMP
55	F2008		2	HEX HD M.S., 1/4 - 20 X 7/8
56	F90619-2		1	YOKE
57	FK1074		1	GEAR HOUSING SEAL KIT. <b>INCLUDES ALL ITEMS MARKED WITH A DOUBLE ASTERISK (**)</b>
58	FK1073		1	WATER PUMP KIT. <b>INCLUDES ITEMS MARKED WITH A STAR (*)</b>
-	<b>F2030</b>		<b>4</b>	<b>SCREW 1/4 - 20 X 1-1/4</b>
-	<b>F433065-2</b>		<b>1</b>	<b>IMPELLER</b>
-	<b>F435562</b>		<b>1</b>	<b>BACK PLATE, WATER PUMP</b>
-	<b>F901563</b>		<b>1</b>	<b>DRIVE PIN</b>
-	<b>FA463060</b>		<b>1</b>	<b>WATER PUMP BODY W/ILLUS. 50, 51 AND 52</b>
59	F8065		1	LOCKWASHER
60	F658208		1	RETAINER
61	F24342		1	SEAL

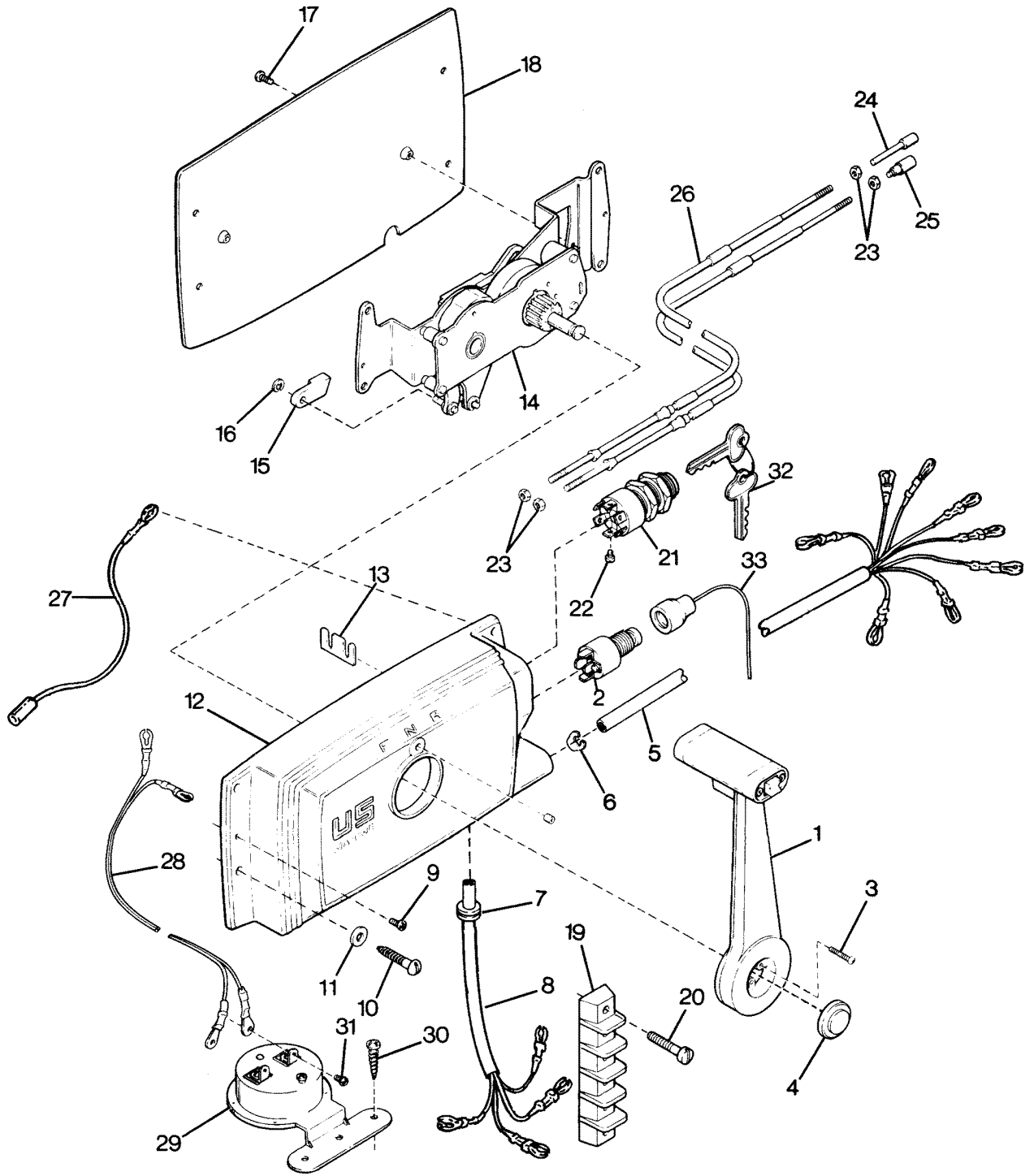
# FUEL TANK AND LINE



## FUEL TANK AND LINE

REF. NO.	PART NO.	SYM.	QTY.	DESCRIPTION
1	F409251-1		1	GAUGE CAP (CANADA ONLY)
-	<b>F213251</b>		<b>1</b>	<b>GAUGE CAP (USA ONLY) (NOT SHOWN)</b>
2	F5H026-1		1	FUEL TANK (ACCESSORY ITEM) <b>W/ILLUS. 1 AND 3 (FORCE MODELS)</b>
2A	F5H176		1	FUEL TANK <b>W/ILLUS. 1 AND 3 (BAYLINER MODELS)</b>
3	F485755-1		1	FUEL TANK ADAPTER
4	F17816		1	SEAL, FUEL LINE COUPLER (LARGE)
5	F17815		1	SEAL, FUEL LINE COUPLER (SMALL)
6	F197787-3		1	FUEL LINE COUPLER
7	F298788		3	FERRULE
8	FA84754-1		1	FUEL LINE SHORT <b>W/ILLUS. 7</b>
9	89396A38		1	PRIME BULB
10	32-817738A1		1	FUEL LINE, LONG <b>W/CLAMP AND W/ILLUS. 7 ORIGINAL FORCE P/N A 197752-1</b>
11	F17817		1	SEAL, FUEL TANK ADAPTER USED WITH 485755-1 ADAPTER
-	<b>FS409752</b>		<b>1</b>	<b>FUEL LINE - COMPLETE - INCLUDES ITEMS MARKED WITH AN ASTERISK (*)</b>
-	<b>FC311398</b>		<b>1</b>	<b>DECAL, TOTE TANK-CANADA (NOT SHOWN)</b>
-	<b>F224394-3</b>		<b>1</b>	<b>DECAL, FUEL MIXTURE - U.S.A. (NOT SHOWN)</b>
12	F17818		1	GASKET
-	<b>F310398</b>		<b>1</b>	<b>DECAL, WARNING (NOT SHOWN)</b>

# REMOTE CONTROL

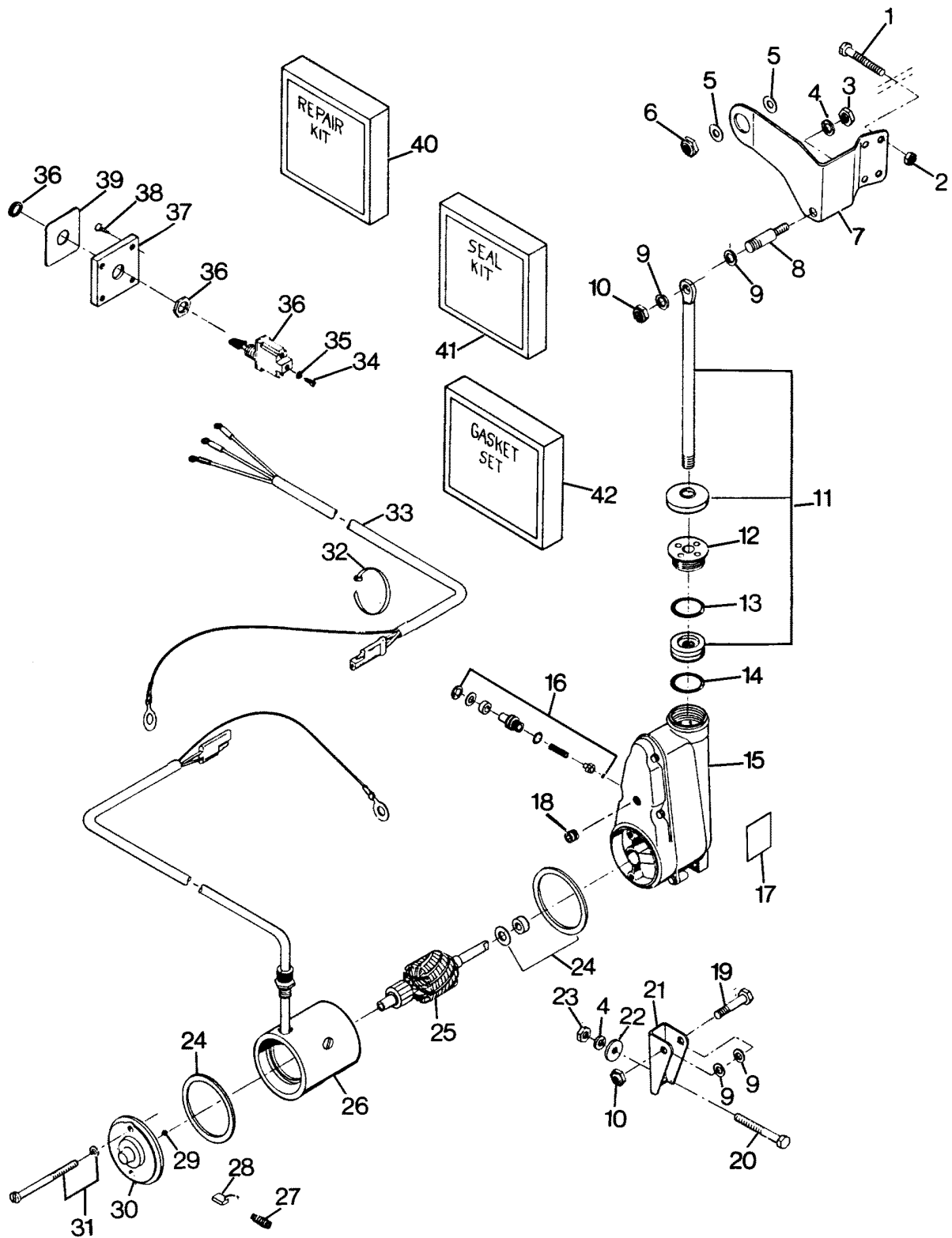




# REMOTE CONTROL

REF. NO.	PART NO.	SYM.	QTY.	DESCRIPTION
1	F668611		1	LEVER
2	F660602		1	SWITCH (EMERGENCY KILL)
3	F660165		4	SCREW (LEVER TO ACTUATOR0
4	F660332		1	PLUG (WARM-UP BUTTOM)
5	F660843		1	CABLE (15-1/2' REMOTE ELECT.)
6	F660446		1	CLAMP (REMOTE ELECT. CABLE0
7	F660504		1	GROMMET (REMOTE ACCESSORY CABLE)
8	F660353		1	CABLE (5' REMOTE ELECT.)
9	F660480		2	SCREW (COVER TO ACTUATOR0
10	F660732		4	SCREW (CONTROL MOUNTING)
11	F660595		4	WASHER (CONTROL MTG. SCREWS)
12	F660995		1	COVER (ASSEMBLY-REMOTE CONTROL0
13	F660642		1	RETAINER (REMOTE CABLE0
14	F660327		1	ACTUATOR (ASSEMBLY-REMOTE CONTROL)
15	F660141		2	CONNECTOR (CABLE-REMOTE CONTROL)
16	F660411		2	RING (RETAINING)
17	F660751		2	SCREW (PLATE TO ACTUATOR0
18	F660911		1	PLATE (REMOTE CONTROL)
19	F660497		1	BLOCK (TERMINAL)
20	F1741		2	SCREW (TERMINAL BLOCK)
21	F5H077		1	SWITCH (ACCESSORY ITEM) <b>W/ITEMS 22 AND 32</b>
22	F1280		6	SCREW (IGN. SWITCH WIRE TERMINAL)
23	F1513		4	STOP NUTS (CABLE END)
24	F654976		1	CONNECTOR (THROTTLE)
25	F58685-2		1	CONNECTOR (SHIFT)
26	F5H190/_		1	REMOTE CONTROL CABLE (SPECIFY LENGTH-X)
27	F660664		1	WIRE (IGN. SWITCH TO ACC. TERMINAL BLOCK)
28	F404841		1	CABLE, OVERHEAT BUZZER
29	F5H073		1	BUZZER, OVERHEAT (ACCESSORY ITEM)
30	F1741		2	SCREW, PAN HD., 8-3/4
31	F1645		8	SCREW, RD. HD., SELF-TAPPING, 6 - 32 X 1/4
32	817782--1		1	IGNITION KEY - NO LETTER OR STAMPED A
-	<b>817883--1</b>		<b>1</b>	<b>IGNITION KEY - STAMPED B</b>
-	<b>817891--1</b>		<b>1</b>	<b>IGNITION KEY - STAMPED C</b>
-	<b>817928--1</b>		<b>1</b>	<b>IGNITION KEY - STAMPED D</b>
-	<b>817929--1</b>		<b>1</b>	<b>IGNITION KEY - STAMPED E</b>
33	F660329		1	LANYARD, KILL SWITCH

# POWER TILT (MODEL 5H143 SHIPPED WITH MODEL 508M7C ONLY)

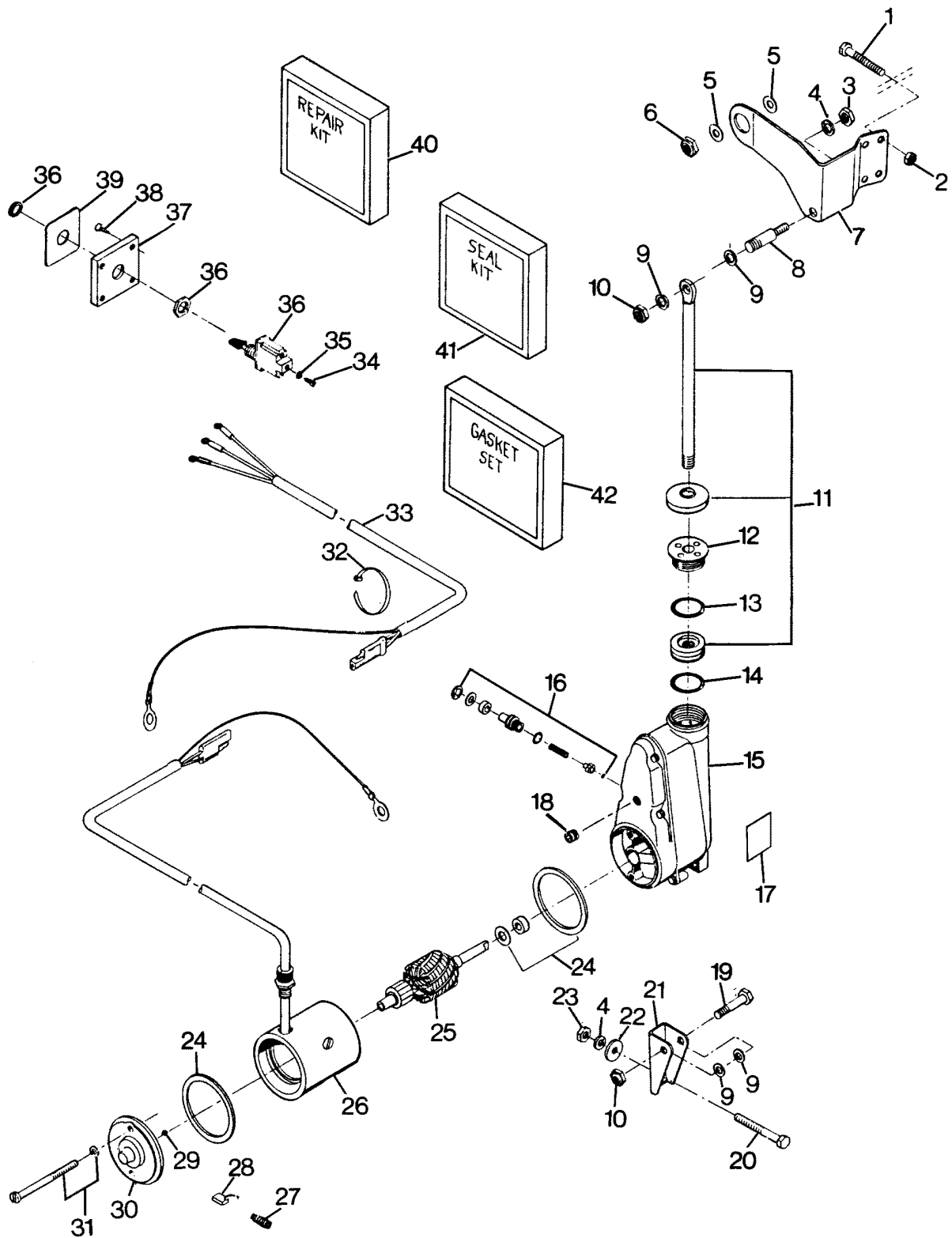


# POWER TILT (MODEL 5H143 SHIPPED WITH MODEL 508M7C ONLY)

REF. NO.	PART NO.	SYM.	QTY.	DESCRIPTION
1	F1822		4	HEX HD BOLT, 5/16 - 18 X 7/8, S.S.
2	F1892		4	STOP NUT, 5/16 - 18 S.S.
3	F7025		1	STOP NUT, 3/8 - 16, S.S.
4	F8065		3	SPRING LOCKWASHER, S.S.
5	F413415		2	PHENOLIC WASHER
6	F1932		1	STOP NUT, 7/16 - 20, S.S.
7	F545442		1	BRACKET, TILT UPPER
8	F413440		1	STUD, BRACKET UPPER
9	F1930		4	PLAIN WASHER, S.S.
10	F1931		2	STOP NUT, 1/2 - 20 S.S.
11	F17600-1		1	PISTON ROD AND END HEAD ASSEMBLY. <b>INCLUDES ITEMS 12, 13 AND 14</b>
12	F17549		1	END HEAD ASSEMBLY. <b>INCLUDES ITEM 13.</b>
13	F654618		1	"O" RING, END HEAD SEAL
14	F17533		1	"O" RING, PISTON
15	F420541-1		1	VALVE BODY AND GEAR CASE ASSEMBLY. <b>INCLUDES ITEMS 11, 16 AND 24</b>
16	F17547		1	MANUAL LET DOWN PARTS PACKAGE
17	F413387		1	DECAL, POWER TILT
18	F17603		1	PIPE PLUG
19	F1078		1	HEX CAP SCREW, 1/4 - 20 X 2
20	F2125		2	HEX HD MACHINE SCREW, 3/8 - 16 X 3, S.S.
21	F413441		1	BRACKET, TILT LOWER
22	F1904		2	PLAIN WASHER
23	F1346		2	HEX NUT, 3/8 - 16, S.S.
24	F17599		1	GASKET AND SEAL PACKAGE. <b>INCLUDES ITEM 42</b>
25	F17540		1	ARMATURE
26	F17556		1	FRAME AND FIELD ASSEMBLY
-	<b>F17607</b>		<b>1</b>	<b>MOTOR ASSEMBLY (NOT SHOWN). INCLUDES ITEMS 24, 25, 26, 27, 28, 29 &amp; 30</b>
27	F17500		1	BRUSH SPRING SET (2 PER SET)
28	F17611		1	BRUSH SET (2 PER SET)
29	F17539		1	BALL
30	F17543		1	HEAD ASSEMBLY. <b>INCLUDES ITEM 28</b>
31	F17542		1	THRU BOLT PACKAGE (2 PER SET)
32	F1877		2	TY-RAP
33	F449843-1		1	CABLE
34	F1280		3	PAN HD SCREW, 8 - 32 X 1/4
35	F8078		3	LOCKWASHER
36	F299449-4		1	TOGGLE SWITCH W/HARDWARE
37	F413420		1	RETAINER
38	F1934		4	FLAT HD THREAD FORMING SCREW

CONTINUED ON NEXT PAGE ➡

# POWER TILT (MODEL 5H143 SHIPPED WITH MODEL 508M7C ONLY)



# POWER TILT (MODEL 5H143 SHIPPED WITH MODEL 508M7C ONLY)

REF. NO.	PART NO.	SYM.	QTY.	DESCRIPTION
39	F413181		1	PLATE
40	F17605		1	HYDRAULIC LIFT REPAIR KIT. <b>INCLUDES ALL ITEMS MARKED WITH AN ASTERISK (*)</b>
41	F17604		1	GASKET AND SEAL PACKAGE. <b>INCLUDES ALL ITEMS MARKED WITH A DOUBLE ASTERISK (**)</b>
42	F17602		1	GASKET PACKAGE
-	<b>FOB3405</b>		<b>1</b>	<b>INSTALLATION INSTRUCTIONS</b>

## SPECIAL TOOLS - TUNE-UP

REF. NO.	PART NO.	SYM.	QTY.	DESCRIPTION
-	FT8948-1		0	PULLER TO REMOVE FLYWHEEL
-	FT8978		0	TIMING LIGHT TO ADJUST IGNITION TIMING (DYNAMIC)

## SPECIAL TOOLS - POWER HEAD

REF. NO.	PART NO.	SYM.	QTY.	DESCRIPTION
-	FT2998		0	TORQUE WRENCH (0-100LBS./FT.) TO PROPERLY SECURE FASTENERS
-	FT2999		0	TORQUE WRENCH (0-600LBS./IN.) TO PROPERLY SECURE FASTENERS
-	FT2991		0	CARBON BRUSH TO REMOVE CARBON FROM INSIDE POWERHEAD
-	FT8900		0	HOSE CLAMP PILERS TO REMOVE AND INSTALL FUEL HOSE CLAMPS
-	FT3510		0	SEAL INSTALLER TO INSTALL UPPER CRANKSHAFT BEARING CAGE SEAL
-	FT3512		0	SEAL SLEEVE TO INSTALL UPPER CRANKSHAFT BEARING CAGE SEAL
-	FT1749		0	RETAINING RING PLIERS TO REMOVE AND INSTALL PISTON PIN RETAINING RINGS
-	FT2953		0	SOCKET TO TORQUE CONNECTING ROD SCREWS
-	FT2990		0	PISTON PIN REMOVER TO REMOVE AND INSTALL PISTON PIN IN PISTON
-	FT8926		0	RING EXPANDER TO INSTALL RINGS ON PISTONS
-	FT2996		0	RING COMPRESSOR TO INSTALL PISTONS IN CYLINDERS
-	FT8933		0	LIFTING EYE TO LIFT ENGINE

# SPECIAL TOOLS - LOWER UNIT

REF. NO.	PART NO.	SYM.	QTY.	DESCRIPTION
-	FT8948-1		0	PULLER TO REMOVE PROPELLER SHAFT BEARING CAGE FROM LOWER GEAR HOUSING.
-	FT8919		0	SPRING PIN PUNCH TO REMOVE CLUTCH SPRING PIN
-	FT8907		0	DRIVER HANDLE TO INSTALL BEARING CUP IN LOWER GEAR HOUSING
-	FT8945		0	RETAINER PUNCH TO INSTALL RETAINER ON DRIVESHAFT SPLINE BOOT
-	FT8918		0	BUSHING GUIDE SET TO REMOVE AND INSTALL BEARING CUP IN LOWER GEAR HOUSING
-	FT8921		0	FORWARD BEARING CUP REMOVER TO REMOVE FORWARD BEARING CUP FROM LOWER GEAR HOUSING
-	FT8904		0	FORWARD BEARING CUP INSTALLER TO INSTALL FORWARD BEARING CUP IN LOWER GEAR HOUSING
-	FT3431		0	SEAL INSTALLER TO INSTALL DRIVESHAFT AND PROP SHAFT SEAL IN LOWER UNIT
-	FT8957		0	SEAL INSTALLER TO INSTALL SHIFT ROD SEAL
-	FT8962		0	BEARING INSTALLER TO INSTALL DRIVESHAFT BEARING IN GEAR HOUSING UPPER
-	FT8964		0	BEARING REMOVER TO REMOVE DRIVESHAFT BEARING FROM GEAR HOUSING UPPER



## SPECIAL TOOLS - TEST EQUIPMENT

REF. NO.	PART NO.	SYM.	QTY.	DESCRIPTION
-	FT2951		0	CIRCUIT TRACER TO TROUBLESHOOT 12 VOLT CIRCUITS
-	FT2938-1		0	TEST LIGHT TO CHECK CONTINUITY
-	FT2955A		0	TEST WHEEL TO TEST MOTOR IN TEST TANK
-	FT8950		0	LEAKAGE TESTER TO TEST LOWER UNIT FOR LEAKAGE
-	FT11259		0	MULTIMETER TO TEST ELECTRICAL COMPONENTS
-	FT11260		0	SPARK TESTER TO TEST IGNITION SYSTEM

## SPECIAL TOOLS - LUBRICANTS AND SEALANTS

REF. NO.	PART NO.	SYM.	QTY.	DESCRIPTION
-	FT2961		0	LUBRICANT - RYKON GREASE #2EP
-	FT2987-1		0	LUBRICANT - ANTI-SEIZE
-	FT8969		0	LUBRICANT - 7 OZ. LUBRICANT LPS-1
-	FT8983		0	SEALANT - RTV
-	FT8936-1		0	SEALANT - 2 CC LOCTITE RETAINING COMPOUND #75
-	FT2962-2		0	SEALANT - 50 CC LOCTITE H, NON-HARDENING GRADE
-	FT2963-2		0	SEALANT - 2 OZ. LOCTITE #271
-	FT8935		0	SEALANT PRIMER - 6 OZ. LOC QUIC T

# ACCESSORIES

REF. NO.	PART NO.	SYM.	QTY.	DESCRIPTION
-	F5H081		0	BATTERY CABLE - 15 FEET REMOTE MOUNTED BATTERY
-	F5H019		0	ANTI-CORROSION KIT ELECTRICAL UNIT USED TO HELP PREVENT CORROSION.
-	F5H025		0	ANTI-CORROSION SACRIFICIAL ANODE USED TO HELP PREVENT CORROSION.
-	F5H021		0	BATTERY EXTENSION CABLE USED TO EXTEND BATTERY CABLE 6-1/2 FEET.
-	F5H041		0	BATTERY TERMINAL KIT FOR POSITIVE AND NEGATIVE BATTERY POSTS.
-	F5H020		0	CARRYING HANDLE PERMITS EASIER TRANSPORTATION OF ENGINE TO AND FROM BOAT (2 MAN).
-	F5H177		0	FLUSHING ADAPTER PERMITS FRESH WATER FLUSHING OF WATER PASSAGES WITH STANDARD GARDEN HOSE.
-	5H158		0	FUEL GAUGE MONITORS FUEL SUPPLY.
-	F5H028		0	SENDING UNIT FOR USE WITH 5H158 FUEL GAUGE.
-	F5H156		0	TEMPERATURE GAUGE MONITORS ENGINE TEMPERATURE. DO NOT USE TEMPERATURE GAUGE AND HEAT LAMP IN THE SAME INSTALLATION
-	F5H055		0	WATER PUMP KIT HEAVY DUTY WATER PUMP RECOMMENDED FOR CONTINUED OPERATION IN SANDY OR SALT WATER.
-	F5H191		0	FORCE BLUE ENAMEL ENGINE TOUCH-UP PAINT IN 13 OZ. AVERAGE SPRAY BOMBS (6 CANS PER CASE).
-	F5H192		0	FORCE BLUE ENAMEL ENGINE TOUCH-UP PAINT IN 1/2 OZ. BOTTLE WITH BRUSH IN CAP (12 BOTTLES PER BOX).
-	F5H147-1		0	POWER TRIM ADJUSTS ENGINE TRIM AND TILTS ENGINE.
-	F5H160		0	POWER TRIM INDICATOR INDICATES TRIM ANGLE.
-	F5H084		0	TRAILERING TILT LOCK SECURES ENGINE IN TILTED POSITION FOR TRAILERING.
-	F5H026-1		0	FUEL TANK, 6 GALLON, STEEL AUXILIARY TANK.
-	F5H029		0	FUEL TANK ANCHOR SECURES 5H026-1 TO DECK.
-	F5H143		0	POWER TILT TWELVE VOLT UNIT TILTS ENGINE FOR BEACHING, ETC.
-	F5H073		0	OVERHEAT BUZZER KIT WARNS OF ENGINE OVERHEATING.
-	F5H077		0	IGNITION KEY SWITCH FOR ELECTRIC START MODELS, SHORT BARREL.
-	F5H078		0	IGNITION KEY SWITCH FOR ELECTRIC START MODELS, LONG BARREL.
-	F5H190/___		0	REMOTE CONTROL CABLES CONNECTS REMOTE CONTROL BOX TO THROTTLE AND GEAR SHIFT ON MOTOR. AVAILABLE IN 6 THROUGH 26 FOOT LENGTHS (SPECIFY LENGTH).
-	F5H199		0	REMOTE CONTROL SURFACE MOUNT (SINGLE LEVER) PERMITS REMOTE CONTROL OF THROTTLE AND GEAR SHIFT FROM STARBOARD SIDE OF BOAT.
-	F5H159		0	HOURMETER MONITORS ENGINE RUNNING TIME.
-	F5H154		0	SPEEDOMETER FLUSH MOUNT (10-50 MPH).
-	F5H141		0	STEERING LINK KIT FOR USE WITH PIVOT TUBE STEERING.

CONTINUED ON NEXT PAGE ➡

# ACCESSORIES

REF. NO.	PART NO.	SYM.	QTY.	DESCRIPTION
-	F563		0	TERMINAL BLOCK KIT DOUBLE ROW 10 SECTION FOR ACCESSORY WIRING.
-	F5H075		0	WIRING HARNESS (24") FOR REMOTE INSTALLATION OF IGNITION SWITCH.
-	F137		0	REMOTE STEERING BRACKET ADAPTS MOTOR TO CABLE TYPE REMOTE STEERING.
-	F165		0	REMOTE STEERING BRACKET ADAPTS TO CABLE TYPE REMOTE STEERING.
-	F5H023		0	REMOTE STEERING BRACKET ADAPTS MOTOR TO MECHANICAL TYPE REMOTE STEERING.
-	F166		0	DUAL ENGINE TIE BAR PERMITS DUAL ENGINE INSTALLATION.
-	F5H167		0	TACHOMETER MONITORS ENGINE RPM TO PROVIDE CHECK OF ENGINE PERFORMANCE.
-	F5H157		0	VOLTMETER INDICATES BATTERY CONDITION.
-	F5H070		0	REMOTE ELECTRIC CABLE 21 FEET.
-	F762		0	REMOTE ELECTRIC CABLE 25 FEET.
-	F596-		0	US MARINE OUTBOARD OIL SEE NOTE 1
-	597-		0	US MARINE OUTBOARD GEAR LUBE SEE NOTE 2
-	F5H076		0	SWITCH EXTENSION CABLE (5') FOR REMOTE INSTALLATION OF IGNITION SWITCH.
-	F5H030		0	SWITCH KIT - RUNNING LIGHTS DASH MOUNT TOGGLE FOR ANCHOR AND RUNNING LIGHTS.
-	F5H031		0	SWITCH KIT - SPOT LIGHT DASH MOUNT TOGGLE FOR SPOT OR SEARCH LIGHTS.
-	F5H032		0	SWITCH KIT - WIPER DASH MOUNT TOGGLE FOR ELECTRIC WIPER.
-	F5H034		0	SWITCH KIT - BILGE PUMP DASH MOUNT TOGGLE FOR ELECTRIC BILGE PUMP.
-	F5H035		0	SWITCH KIT - HORN DASH MOUNT TOGGLE FOR HORN - MOMENTARY ON.
-	F5H036		0	SWITCH KIT - TACHOMETER TRANSFER DASH MOUNT TOGGLE FOR ONE TACHOMETER ON DUAL ENGINE INSTALLATION.
-	F5H037		0	SWITCH KIT - LIGHTER DASH MOUNT LIGHTER, COMPLETE.
-	F5H038		0	SWITCH KIT - IGNITION DASH MOUNT PLATE FOR 5H077 AND 5H078 KEY SWITCH (NOT INCLUDED).
-	F5H039		0	SWITCH KIT - INSTRUMENTS

# PARTS INDEX

Part Number	Description	Pg.	Ref. No.	Part Number	Description	Pg.	Ref. No.
485388	DISC, WATER PUMP	35	54	F1129	FILL HD SCREW, S.S., 5/16 - 18 X 1/2	27	33
5H158	FUEL GAUGE	49	-	F1136	SCREW, FLAT HD., 1/4 - 20 X 1	21	19
817746A1	BRACKET, CONNECTOR STUD	23	27	F1141	FLAT HD SCREW, 10 - 24 X 1/2	25	6
817747--1	BEARING W/BALL JOINT	23	7	F1160	FLAT HD SCREW, 1/4 - 28 X 5/8	29	88
817782--1	IGNITION KEY - NO LETTER OR STAMPED A	39	32	F1199	HEX HD SCREW, 1/4 - 20 X 1	27	19
817793A1	SHIFT ARM W/#K405020 AND #85610	23	22	F1211	HEX HD SCREW W/LOCKWASHER, 1/4 - 28 X 5/8	27	12
817796A2	GEAR SHIFT ARM ASSEMBLY	33	34	F1238	SCREW, 1/4 - 20 X 3/4	5	14
817814A1	TILT HANDLE	3	2	F1263	HEX SOCKET HD CAP SCREW, S.S., 5/16 - 18 X 9/16	33	13
817883--1	IGNITION KEY - STAMPED B	39	-	F1280	PAN HD SCREW, 8 - 32 X 1/4	41	34
817891--1	IGNITION KEY - STAMPED C	39	-	F1280	SCREW (IGN. SWITCH WIRE TERMINAL)	39	22
817928--1	IGNITION KEY - STAMPED D	39	-	F1286	SCREW, PAN HD., 4 - 40 X 3/16	21	15
817929--1	IGNITION KEY - STAMPED E	39	-	F1303	SCREW, #8 - 32 X 3/4 SI.PA.	5	27
817944A2	HANDLE AND SHAFT	29	56	F1326	ACORN NUT, S.S., 5/16 - 18	29	84
819331A2	KINGPIN	27	34	F1341	NUT, HEX	23	16
89396A38	PRIME BULB	37	9	F1346	HEX NUT, 3/8 - 16	27	16
A10204	NOZZLE SPRING	11	26	F1346	HEX NUT, 3/8 - 16, S.S.	41	23
F10067	BOWL RETAINER GASKET	11	14	F1346	HEX NUT, S.S., 3/8 - 16	29	49
F10127	FUEL BOWL	11	3	F1346	HEX NUT, S.S., 3/8 - 16	33	33
F10128	CHOKE VALVE	11	7	F1349	HEX NUT, S.S., 5/16 - 18	29	79
F10129	CHOKE RELIEVING VALVE	11	8	F137	REMOTE STEERING BRACKET	50	-
F10130	CHOKE VALVE SPRING	11	23	F141118	SEAL, PROPELLER SHAFT	33	15
F10135	FLOAT ASSEMBLY	11	9	F141305	SEAL, PROPELLER SHAFT BEARING CAGE	33	17
F10137	NOZZLE	11	11	F141704	GEAR SHIFT ROD COUPLING	29	78
F1014	COTTER PIN	11	38	F1446	SCREW, SLOTTED PAN HD., 1/4 - 20 X 1	21	18
F10140	VALVE SCREW	11	20	F1473	HEX M. SC. NUT 3 10 - 24	31	95
F10141	IDLE NEEDLE SPRING	11	21	F1473	NUT, 10 - 24 S.S.	9	18
F10142	FLOAT SUPPORT SPRING	11	22	F1473	NUT, HEX, 10-24	23	20
F1015	COTTER PIN	33	37	F1475	FILL HD SCREW, 10 X 24 X 1/2	3	8
F10152	CUP PLUG	11	12	F1502	SCREW, CYLINDER HEAD COVER TO CYLINDER HEAD	15	20
F10153	WELCH PLUG	11	13	F1504	SLOTTED FILL SCREW, 1/4 - 20 X 1-1/4 S.S.	9	8
F10155	VALVE SCREW	11	19	F1513	NUT, HEX, 10 - 32	23	2
F10159	CHOKES SHAFT ASSEMBLY	11	6	F1513	NUT,#10 - 32	5	13
F10191	CHOKE RETURN SPRING	11	25	F1513	STOP NUTS (CABLE END)	39	23
F10192	THROTTLE RETURN SPRING	11	24	F1515	HEX NUT, 5/16 - 18	3	21
F10193	THROTTLE SHAFT ASSEMBLY	11	4	F1515	HEX NUT, 5/16 - 18	25	2
F10197	JET (.046)	11	28	F1515	NUT, HEX, 5/16-18	21	1
F10203	JET SIZE. (.080) 5000-7500 FT.	11	-	F15152	LOCKWASHER	7	11
F10205	BOWL RETAINER SCREW	11	18	F15154	CAP, DRIVE END	7	3
F10206	BOWL RETAINER GASKET	11	16	F15157	HOLDER, BRUSH	7	9
F10207	THROTTLE VALVE	11	5	F15158	SCREW, BRUSH HOLDER	7	7
F10208	PIN, FLOAT ASSEMBLY	11	10	F15159	INSULATOR	7	14
F10210	JET SIZE. (.078) 7500-10,000 FT.	11	-	F15160	INSULATOR WASHER	7	13
F10218	RING	11	1				
F10229	MAIN FUEL JET (.084)	11	29				
F10230	JET SIZE. (.082) 2500-5000 FT.	11	-				
F1027	COTTER PIN, S.S., 1/8 - 1/2	33	10				
F1052	SCREW, FILL HD., 1/4 - 20 X 1	23	15				
F1059	FILL HD SCREW 6 - 32 X 1/4	11	36				
F1078	HEX CAP SCREW, 1/4 - 20 X 2	41	19				

# PARTS INDEX

Part Number	Description	Pg.	Ref. No.	Part Number	Description	Pg.	Ref. No.
F15161	PLAIN WASHER	7	12	F17539	BALL	41	29
F15162	NUT	7	10	F17540	ARMATURE	41	25
F15164	BRUSH KIT	7	8	F17542	THRU BOLT PACKAGE (2 PER SET)	41	31
F15179	CAP COMMUTATOR END W/BRUSHES AND BRUSH HOLDER	7	15	F17543	HEAD ASSEMBLY.	41	30
F15181	DRIVE KIT	7	1	F17547	MANUAL LET DOWN PARTS PACKAGE	41	16
F15182	DRIVE PINION	7	2	F17549	END HEAD ASSEMBLY.	41	12
F15183	ARMATURE	7	4	F1755	ROUND HD SCREW W/LOCKWASHER, 6 - 32 X 1/4	25	12
F15184	THRU BOLT	7	16	F17556	FRAME AND FIELD ASSEMBLY	41	26
F1532	HEX HD SCREW, 1/4 - 20X1	3	24	F17599	GASKET AND SEAL PACKAGE.	41	24
F1540	HEX HD SCREW, 1/4 - 20 X 5/8 GR. 5	9	21	F17600-1	PISTON ROD AND END HEAD ASSEMBLY.	41	11
F1552	SCREW,#8 - 32 X 1/2 SI.PA.	5	30	F17602	GASKET PACKAGE	43	42
F1556	SCREW, FILL HD. W/LOCKWASHER, 10 - 24 X 3/8	23	13	F17603	PIPE PLUG	41	18
F1593	HEX HD SCREW, S.S., 3/8 - 16 X 3	29	47	F17604	GASKET AND SEAL PACKAGE.	43	41
F1600	LOCK NUT, PIVOT TUBE	29	45	F17605	HYDRAULIC LIFT REPAIR KIT.	43	40
F1615	NUT, 5/16 - 24 HEX	5	16	F17607	MOTOR ASSEMBLY (NOT SHOWN).	41	-
F1635	HEX SOCKET HD CAP SCREW, S.S., 3/8 - 16 X 3-1/2	27	27	F17611	BRUSH SET (2 PER SET)	41	28
F1636	HEX SOCKET HD CAP SCREW, S.S., 3/8 - 16 X 1-1/4	27	28	F1767	FILL HD. M. SC., #10 - 24 X 3	31	97
F1645	SCREW, #6 - 32 X 1/4 SI.RD.HD.	5	28	F1768	FILL HD. M. SC., #10 - 24 X 1-3/8	31	98
F1645	SCREW, RD. HD., SELF-TAPPING, 6 - 32 X 1/4	39	31	F177330	VALVE, FUEL PUMP	9	24
F1646	SCREW, CRANKCASE COVER TO CYLINDER 3/8 - 16 X 2 1/4 H SOC	15	9	F177917	STARTER RELAY	5	18
F1647	HEX NUT, 8 - 32	5	40	F17815	SEAL, FUEL LINE COUPLER (SMALL)	37	5
F1648	SCREW, 10 - 24 X 3/4 PAN HD SCREW	9	13	F17816	SEAL, FUEL LINE COUPLER (LARGE)	37	4
F165	REMOTE STEERING BRACKET	50	-	F17817	SEAL, FUEL TANK ADAPTER USED WITH 485755-1 ADAPTER	37	11
F166	DUAL ENGINE TIE BAR	50	-	F17818	GASKET	37	12
F1666	BOWED SPRING WASHER	27	41	F1789	PIPE PLUG, - 1/16 - 27	9	19
F1669	STOP NUT	29	54	F1804	NUT, STOP 10 - 32	23	28
F1704	WASHER,#6 INT. TOOTH, LOCK	5	29	F18160-3	REED, CYLINDER DRAIN	21	12
F1727	RIVET, PLASTIC	23	9	F18225	HEX HD BOLT, 5/16 - 18 X 7/8, S.S.	41	1
F1733	PAN HD SCREW, 10 - 24 X 9/16	3	15	F1823	SCREW, 5/16 - 18 X 1 HEX	5	25
F1733	PAN HD SCREW, 10 - 24 X 9/16	29	55	F183300	SPRING	3	20
F1733	PAN HD. M. SC., #10 - 24 X 9/16	31	96	F183346-1	SHOCK MOUNT LOWER	27	32
F1733	SCREW,#10 - 24 X 9/16	5	9	F1836	SPRING PIN	29	61
F1741	SCREW (TERMINAL BLOCK)	39	20	F184033-1	SWIVEL, CHOKE ROD	11	35
F1741	SCREW, PAN HD., 8-3/4	39	30	F184122-1	SEAL, CRANKCASE PARTING LINE	15	7
F1744	SPRING PIN	29	75	F184122-1	SEAL, CRANKCASE PARTING LINE	17	-
F17500	BRUSH SPRING SET (2 PER SET)	41	27	F184579	SEAL, CHOKE ARM SWIVEL	11	34
F1753	FASTENER, TRIM (INSIDE OF COVER)	3	31	F1849	HEX HD SCREW, S.S., 1/4 - 20 X 1-3/8	27	17
F17533	"O" RING, PISTON	41	14	F1851	FILL HD M. SCREW W/LOCKWASHER, 10 - 24 X 1/2	27	4

# PARTS INDEX

Part Number	Description	Pg.	Ref. No.	Part Number	Description	Pg.	Ref. No.
F1854	SCREW, 1/4 - 20 X 5/8	21	8	F1997	STOP NUT 8-32	13	42
F1854	SCREW, HEX SLOT HD, 1/4 - 20 X 5/8	21	5	F2008	HEX HD M.S., 1/4 - 20 X 7/8	35	55
F1857	SCREW, HEX CAP, 5/16 - 18 X 18 X 5/8	15	32	F2008	HEX HD SCREW, 1/4 - 20 X 7/8	25	1
F185764	RETAINING RING	29	80	F2014	WASHER, PLAIN	33	32
F1860	SLOTTED BINDING HEAD SCREW, 6 - 32 X 1/4	9	25	F2016	SCREW, #6 - 32 X 7/8	5	34
F1864	HEX CAP SCREW, 1/4 - 20 X 3/4	3	10	F2025	PAN HD SCREW, 10 X 5/8	3	3
F1864	SCREW, CRANKCASE TO CYLINDER, LARGE HD. 1/4 - 20 X 3/4	15	12	F2030	HEX HD SCREW, S.S., 1/4 - 20 X 1-1/4	35	52
F1864	SCREW, HEX CAP, 1/4 - 20 X 3/4	23	30	F2030	SCREW 1/4 - 20 X 1-1/4	35	-
F1877	TY-RAP	41	32	F2033	GROVE PIN	13	41
F1879	SCREW, CRANKCASE COVER TO CYLNDR 3/8 - 16 X 1 5/8 HX SOC HC	15	8	F203965	SHOCK MOUNT UPPER	27	7
F1892	STOP NUT, 5/16 - 18 S.S.	41	2	F2066	PAN HD SELF-TAPPING SCREW	3	4
F1904	PLAIN WASHER	29	48	F2073	HEX CAP SCREW 3/8 - 24 X 1-5/8	31	101
F1904	PLAIN WASHER	41	22	F2081	SCREW, BEARING CAGE TO CYLINDER, 1/4 - 20 X 7/8, PAN HD	19	2
F1905	FILL HD SCREW, 1/4-20 X 3-7/16	27	22	F2088	FASTENER	29	58
F19109	PLUG	15	29	F2091	SCREW, CYLINDER HEAD & COVER TO CYLINDER	15	17
F191169-1	SWIVEL BRACKET BEARING	27	35	F2093	STOP NUT	31	102
F1922	HEX CAP SCREW, 1/4 - 20 X 5/8	27	11	F2097	SPRING PIN	33	23
F1922	SCREW, CRANKCASE TO CYLINDER, SMALL HD. 1/4 - 20 X 5/8	15	11	F2106	WASHER, INTERNAL STAR	5	20
F1922	SCREW, HEX HD., 1/4 - 20 X 5/8	21	24	F2125	HEX HD MACHINE SCREW, 3/8 - 16 X 3, S.S.	41	20
F1929	HEX HD CAP SCREW, S.S., 3/8 - 16 X 1-1/8	27	24	F213251	GAUGE CAP (USA ONLY) (NOT SHOWN)	37	-
F1930	PLAIN WASHER, S.S.	41	9	F213274	GREASE FITTING	29	63
F1931	STOP NUT, 1/2 - 20 S.S.	41	10	F215962	SHOCK MOUNT SIDE LOWER	29	86
F1932	STOP NUT, 7/16 - 20, S.S.	41	6	F2165	RIVET, TRIM	3	33
F1934	FLAT HD THREAD FORMING SCREW	41	38	F2200	SCREW, #2 - 24 X 1 HEX HD.	5	35
F1947	FLANGED 12 POINT SCREW, 5/16 - 18 X 2	29	87	F2207	SCREW, FILL HD., 1/4 - 20 X 3/4	23	23
F1968	FLYWHEEL NUT, 3/4-16	19	19	F224394-3	DECAL, FUEL MIXTURE - U.S.A. (NOT SHOWN)	37	-
F1971	SCREW, EXHAUST PORT, 1/4-20 X 2 1/8 HEX HM.	15	5	F24074	CLAMP SCREW FOOT	29	69
F1974	SCREW, TERMINAL BLOCK MTG., #10-24 X 5/8 SL PAN HM	15	6	F24342	SEAL	35	61
F1974	SCREW, #10 - 24 X 5/8	5	8	F269052	BEARING, SHIFT ARM	23	25
F1975	LOCKWASHER	9	14	F269319	BEARING, THROTTLE CAM	23	5
F1975	LOCKWASHER, #10	5	7	F269929	SPACER, TILT STOP	27	38
F197787-3	FUEL LINE COUPLER	37	6	F286461	SPRING LOCK BAR HANDLE	29	77
F197813	BEARING, REVERSE LOCK SHAFT REAR	29	62	F286772-1	CLAMP	27	9
F1987	PLAIN WASHER	3	19	F298788	FERRULE	37	7
F1987	PLAIN WASHER	29	82	F299449-4	TOGGLE SWITCH W/HARDWARE	41	36
F1995	SCREW, FILL HD., 10 - 24 X 1	23	14	F2A474266	BEVEL PINION W/BEARING	33	35
				F2C662712	ENGINE COVER COMPLETE	3	-
				F307038	SUPPORT PLATE	3	13
				F307211	STUD	21	3
				F307279-2	CYLINDER EXHAUST GASKET UPPER	27	1
				F307279-2	GASKET, CYLINDER EXHAUST-UPPER	17	-
				F307317	TERMINAL JUMPER CLIP	5	6
				F307615-1	GEAR SHIFT ROD UPPER	29	83
				F307660-1	LEG EXHAUST TUBE	27	3
				F307683	WIRE, CIRCUIT BREAKER	5	22

# PARTS INDEX

Part Number	Description	Pg.	Ref. No.	Part Number	Description	Pg.	Ref. No.
F307818	BEARING, LATCH SHAFT ..	3	17	F404801	ELBOW .....	21	21
F307860	INTAKE SILENCER .....	3	27	F404841	CABLE, OVERHEAT BUZZER	39	28
F307962	SHOCK MOUNT - SIDE - UPPER .....	27	14	F405457	SCREW, PIVOT .....	23	31
F310398	DECAL, WARNING (NOT SHOWN) .....	37	-	F40717	THRUST WASHER, BEVEL GEAR .....	33	19
F311984-1	BLANKET SILENCER-TOP (NOT SHOWN) .....	3	-	F40833-4	GASKET, IDLE RELIEF COVER .....	15	-
F316160	REED .....	25	10	F40833-4	MOTOR LEG EXHAUST COVER GASKET .....	27	21
F316599	SEAL, PIVOT TUBE .....	31	89	F40906-1	CARBURETOR GASKET ...	11	33
F333316	THROTTLE ROLLER SHAFT	13	44	F40906-1	GASKET, CARBURETOR ...	15	-
F335215	SPACER, PISTON PIN .....	19	13	F40909	PIN, LOCATING .....	17	34
F335217-1	BEARING, PISTON PIN .....	19	17	F409251-1	GAUGE CAP (CANADA ONLY) .....	37	1
F338129-1	SEAL, DRIVESHAFT SPLINE	33	1	F413181	PLATE .....	43	39
F338271	RETAINER .....	33	2	F413387	DECAL, POWER TILT .....	41	17
F338618-1	SEAL, SHIFT ROD LOWER .	35	43	F413415	PHENOLIC WASHER .....	41	5
F345427-1	BRACKET, STARTER MOUNTING .....	21	4	F413420	RETAINER .....	41	37
F349307	DRIVESHAFT SEAL - WATER PUMP .....	35	50	F413440	STUD, BRACKET UPPER ..	41	8
F353480	STUD .....	29	68	F413441	BRACKET, TILT LOWER ...	41	21
F366058	BALL BEARING, PROPELLER SHAFT .....	33	16	F420541-1	VALVE BODY AND GEAR CASE ASSEMBLY. ....	41	15
F366277	GASKET, BEARING CAGE ..	17	-	F433065-2	IMPELLER .....	35	-
F366300	REVERSE LOCK SPRING ..	29	52	F433065-2	WATER PUMP IMPELLER ..	35	48
F366349	REVERSE LOCK .....	29	53	F433114	HANDLE, LOCK BAR .....	29	76
F366350-1	TILT STOP PIVOT .....	27	39	F433168	CARBURETOR ADAPTER GASKET .....	25	5
F366364	ARM, REVERSE LOCK .....	29	59	F433168	GASKET, CARBURETOR ADAPTER .....	17	-
F366426	TILT STOP - PORT .....	27	40	F433192	CAM, THROTTLE .....	23	6
F366433	TILT STOP, STARBOARD ..	29	65	F433209-1	STUD, THROTTLE CAM ....	23	1
F366510-1	LINK, REVERSE LOCK .....	29	60	F433254	HOSE .....	21	20
F366727	BALL, PROPELLER SHAFT .	33	20	F433404	DEFLECTOR PLATE .....	25	7
F366886	PIN .....	29	51	F433406	DEFLECTOR PLATE GASKET .....	25	8
F391926-1	CHOKE SOLENOID PLUNGER .....	13	40	F433406	GASKET, DEFLECTOR PLATE .....	17	-
F3A433757	REED PLATE, CYLINDER DRAIN .....	21	11	F433689	BEARING, TOWERSHAFT ..	23	10
F40008	STUD, SHORT .....	33	39	F433758	HOSE, LOWER MAIN BEARING TO ELBOW ...	21	27
F40146-1	SEAL, CRANKSHAFT, LOWER .....	19	10	F433946	SHOCK MOUNT UPPER COVER .....	27	8
F40151-2	PLATE, EXHAUST PORT ...	15	3	F433972	SHOCK MOUNT LOWER COVER - STARBOARD ..	29	85
F40154-4	GASKET, EXHAUST PORT PLATE .....	15	-	F433973	SHOCK MOUNT LOWER COVER - PORT .....	27	26
F40154-4	GASKET, EXHAUST PORT PLATE .....	15	2	F434754	FUEL LINE, PUMP TO CARBURETOR .....	9	10
F40209	CARBURETOR STUD .....	25	3	F435057	BEARING, DRIVESHAFT UPPER .....	35	45
F40223	GASKET, TRANSFER PORT COVER .....	9	22	F435077	SCREEN, WATER INLET ...	35	44
F40223	GASKET, TRANSFER PORT COVER .....	15	-	F435133-3	MOTOR LEG .....	27	23
F40223	GASKET, TRANSFER PORT COVER .....	21	25	F435244	INLET WATER LINE .....	33	7
F40279-1	CYLINDER EXHAUST GASKET LOWER .....	27	13	F435323	PACKING, LEG COVER LOWER .....	31	92
F40279-1	GASKET, CYLINDER EXHAUST-LOWER .....	17	-	F435555	SEAL, GEAR HOUSING ....	35	41
F40307-2	SEAL, DRIVESHAFT .....	35	46	F435562	BACK PLATE, WATER PUMP	35	-
F40342	SEAL .....	33	5	F435562	WATER PUMP BACK PLATE	35	47
F40342	SEAL, PROPELLER NUT ...	33	11	F435705	GEAR SHIFT ROD LOWER .	33	36
F40410	SNAP RING .....	19	11				



# PARTS INDEX

Part Number	Description	Pg.	Ref. No.	Part Number	Description	Pg.	Ref. No.
F438500	BOWL, FUEL SEDIMENT . . .	9	5	F5H030	SWITCH KIT - RUNNING LIGHTS . . . . .	50	-
F438617	GASKET, FUEL SEDIMENT BOWL . . . . .	9	3	F5H031	SWITCH KIT - SPOT LIGHT . . . . .	50	-
F438653	SCREEN, FUEL PUMP . . . . .	9	4	F5H032	SWITCH KIT - WIPER . . . . .	50	-
F438747	DIAPHRAGM, FUEL PUMP . . . . .	9	15	F5H034	SWITCH KIT - BILGE PUMP . . . . .	50	-
F438760	GASKET, FUEL PUMP . . . . .	9	16	F5H035	SWITCH KIT - HORN . . . . .	50	-
F438801	ELBOW . . . . .	9	11	F5H036	SWITCH KIT - TACHOMETER TRANSFER . . . . .	50	-
F449843-1	CABLE . . . . .	41	33	F5H037	SWITCH KIT - LIGHTER . . . . .	50	-
F452925	CHOKE SOLENOID ROD . . . . .	11	39	F5H038	SWITCH KIT - IGNITION . . . . .	50	-
F458774	BRACKET RETAINER - REAR . . . . .	3	11	F5H039	SWITCH KIT - INSTRUMENTS . . . . .	50	-
F463314	ELBOW W/CHECK VALVE . . . . .	21	28	F5H041	BATTERY TERMINAL KIT . . . . .	49	-
F463314	ELBOW, CHECK VALVE . . . . .	15	10	F5H055	WATER PUMP KIT . . . . .	49	-
F463864	RETAINER, TILT HANDLE . . . . .	3	5	F5H070	REMOTE ELECTRIC CABLE . . . . .	50	-
F465985	BLAKET, SILENCER-SIDE (NOT SHOWN) . . . . .	3	-	F5H073	BUZZER, OVERHEAT (ACCESSORY ITEM) . . . . .	39	29
F474073-1	CLAMP SCREW . . . . .	29	73	F5H073	OVERHEAT BUZZER KIT . . . . .	49	-
F474146	SEAL, CRANKSHAFT, UPPER . . . . .	19	1	F5H075	WIRING HARNESS (24") . . . . .	50	-
F474992	BLANKET SILENCER-FRONT (NOT SHOWN) . . . . .	3	-	F5H076	SWITCH EXTENSION CABLE (5') . . . . .	50	-
F485755-1	FUEL TANK ADAPTER . . . . .	37	3	F5H077	IGNITION KEY SWITCH . . . . .	49	-
F498618	SEAL, O-RING . . . . .	33	30	F5H077	SWITCH (ACCESSORY ITEM) . . . . .	39	21
F498891	GEAR SHIFT ARM PIVOT PIN . . . . .	33	29	F5H078	IGNITION KEY SWITCH . . . . .	49	-
F50109	PLUG, GEAR HOUSING . . . . .	33	27	F5H081	BATTERY CABLE - 15 FEET . . . . .	49	-
F510460	CIRCUIT BREAKER . . . . .	5	12	F5H084	TRAILERING TILT LOCK . . . . .	31	104
F522032	STERN BRACKET - STARBOARD . . . . .	29	67	F5H084	TRAILERING TILT LOCK . . . . .	49	-
F522125-1	TUBE, PIVOT STEERING . . . . .	29	70	F5H141	LINK, STEERING . . . . .	31	99
F522286	STERN BRACKET FRICTION WASHER . . . . .	27	37	F5H141	STEERING LINK KIT . . . . .	49	-
F522359	SPACER, STEERING LINK . . . . .	31	100	F5H143	POWER TILT . . . . .	49	-
F522532-1	STERN BRACKET - PORT . . . . .	27	43	F5H147-1	POWER TRIM . . . . .	49	-
F522884	BEARING, REVERSE LOCK SHAFT . . . . .	29	57	F5H154	SPEEDOMETER . . . . .	49	-
F525064	SCREW, 1/4 X 1-3/4 PN. HD. . . . .	5	19	F5H156	TEMPERATURE GAUGE . . . . .	49	-
F544390-1	DECAL, TILT LOCK . . . . .	29	50	F5H157	VOLTMETER . . . . .	50	-
F545442	BRACKET, TILT UPPER . . . . .	41	7	F5H159	HOURLMETER . . . . .	49	-
F549189	BUSHING ELECTRIC CABLE ENTRY . . . . .	3	14	F5H160	POWER TRIM INDICATOR . . . . .	49	-
F563	TERMINAL BLOCK KIT . . . . .	50	-	F5H167	TACHOMETER . . . . .	50	-
F575675	BRACKET, STARTER MOUNTING, LOWER . . . . .	21	7	F5H176	FUEL TANK . . . . .	37	2A
F575955	STARTER MOTOR COMPLETE . . . . .	7	18	F5H177	FLUSHING ADAPTER . . . . .	49	-
F58685-2	CONNECTOR (SHIFT) . . . . .	39	25	F5H190/___	REMOTE CONTROL CABLE (SPECIFY LENGTH-X) . . . . .	39	26
F5H019	ANTI-CORROSION KIT . . . . .	49	-	F5H190/___	REMOTE CONTROL CABLES . . . . .	49	-
F5H020	CARRYING HANDLE . . . . .	49	-	F5H191	FORCE BLUE ENAMEL . . . . .	49	-
F5H021	BATTERY EXTENSION CABLE . . . . .	49	-	F5H192	FORCE BLUE ENAMEL . . . . .	49	-
F5H023	REMOTE STEERING BRACKET . . . . .	50	-	F5H199	REMOTE CONTROL SURFACE MOUNT (SINGLE LEVER) . . . . .	49	-
F5H025	ANTI-CORROSION SACRIFICIAL ANODE . . . . .	49	-	F628061-1	CARBURETOR ASSEMBLY (WE-170 . . . . .	11	-
F5H026-1	FUEL TANK (ACCESSORY ITEM) . . . . .	37	2	F629896	CABLE, BATTERY . . . . .	5	23
F5H026-1	FUEL TANK, 6 GALLON, STEEL . . . . .	49	-	F650450	RECTIFIER . . . . .	5	26
F5H028	SENDING UNIT . . . . .	49	-	F654618	"O" RING, END HEAD SEAL . . . . .	41	13
F5H029	FUEL TANK ANCHOR . . . . .	49	-	F654976	CONNECTOR (THROTTLE) . . . . .	39	24
				F658013	BEARING, CRANKSHAFT, UPPER MAIN . . . . .	19	4
				F658015	PISTON (STANDARD) . . . . .	19	14
				F658017	PIN, PISTON . . . . .	19	16

# PARTS INDEX

Part Number	Description	Pg.	Ref. No.	Part Number	Description	Pg.	Ref. No.
F658029	TRIGGER ASSEMBLY	5	3	F662386	DECAL, "50"	3	35
F658066	COVER, THERMOSTAT	15	26	F662397	DECAL, ENGINE COVER		
F658095	STATOR ASSEMBLY	5	2		BOTTOM STRIPE	3	9
F658144	CAGE, CRANKSHAFT BEARING			F662915	DECAL, ENGINE COVER		
	W/CRANKSHAFT SEAL (474146)	19	3		TOP STRIPE	3	34
F658152	COVER, EXHAUST PORT	15	4	F663366	MEDALLION "FORCE"	3	36
F658208	RETAINER	35	60	F665387	DECAL, "US MARINE"	3	30
F658208	RETAINING RING	15	19	F668611	LEVER	39	1
F658268	SPRING, THERMOSTAT	15	24	F7004	NUT, STOP, 7/16 - 20	23	26
F658418	TUBE, COOLING SYSTEM	15	28	F7007	NUT	27	44
F658445	LINK, SPARK CONTROL	23	19	F7008	NUT, ELASTIC, STOP, 1/4 - 20	23	4
F658449	THERMOSWITCH W/WIRE	15	18	F7008	STOP NUT	7	17
F658475	C-D, COIL ASSEMBLY	5	21	F7011	HEX NUT, 10 - 24	3	6
F658497	BLOCK, TERMINAL	5	31	F7025	STOP NUT, 3/8 - 16, S.S.	41	3
F658501	BRACKET, C-D MOUNTING	5	24	F762	REMOTE ELECTRIC CABLE	50	-
F658504	WASHER, THERMOSTAT	15	22	F8003	WASHER, PLAIN	21	14
F658518	HEAD, CYLINDER	15	14	F8011	FLATWASHER	5	10
F658529	GASKET, CYLINDER HEAD	15	13	F8025	PLAIN WASHER	27	10
F658529	GASKET, CYLINDER HEAD	17	-	F8038	PLAIN WASHER	27	15
F658680	SPACER PLATE	27	2	F8039	WASHER, CYLINDER HEAD		
F658744	ENGINE WIRE HARNESS	5	4		BOLTS	15	16
F658758	HOSE, IMPULSE	9	20	F8042	PLAIN WASHER	33	6
F658803	GASKET, SPACER PLATE	9	2	F8049	BOWED SPRING WASHER	29	81
F658836	SPACER, FUEL PUMP	9	17	F8056	SPRING LOCKWASHER	5	41
F658995	COVER, CYLINDER HEAD	15	15	F8058	WASHER, TOOTH, EXTERNAL	23	3
F660141	CONNECTOR (CABLE-REMOTE CONTROL)	39	15	F8065	LOCKWASHER	35	59
F660165	SCREW (LEVER TO ACTUATOR0)	39	3	F8065	SPRING LOCKWASHER	27	25
F660189	BUSHING, CABLE ENTRY	3	18	F8065	SPRING LOCKWASHER, S.S.	41	4
F660327	ACTUATOR (ASSEMBLY-REMOTE CONTROL)	39	14	F8077	WASHER, GEAR HOUSING		
F660329	LANYARD, KILL SWITCH	39	33		PLUG	33	28
F660332	PLUG (WARM-UP BUTTOM)	39	4	F8078	LOCKWASHER	41	35
F660353	CABLE (5' REMOTE ELECT.)	39	8	F8083	LOCKWASHER	9	7
F660411	RING (RETAINING)	39	16	F8083	LOCKWASHER, SPRING	21	6
F660446	CLAMP (REMOTE ELECT. CABLE0)	39	6	F8083	PLAIN WASHER	31	103
F660480	SCREW (COVER TO ACTUATOR0)	39	9	F8083	SPRING LOCKWASHER	5	38
F660497	BLOCK (TERMINAL)	39	19	F8083	SPRING LOCKWASHER	27	18
F660504	GROMMET (REMOTE ACCESSORY CABLE)	39	7	F8088	FLATWASHER	5	33
F660595	WASHER (CONTROL MTG. SCREWS)	39	11	F8088	PLAIN WASHER	11	37
F660602	SWITCH (EMERGENCY KILL)	39	2	F8088	FLATWASHER	5	15
F660642	RETAINER (REMOTE CABLE0)	39	13	F8094	LOCKWASHER, 5/16	5	17
F660664	WIRE (IGN. SWITCH TO ACC. TERMINAL BLOCK)	39	27	F8096	LOCKWASHER, SPRING	15	31
F660732	SCREW (CONTROL MOUNTING)	39	10	F8096	LOCKWASHER, SPRING	21	2
F660751	SCREW (PLATE TO ACTUATOR0)	39	17	F8096	SPRING LOCKWASHER	3	22
F660843	CABLE (15-1/2' REMOTE ELECT.)	39	5	F84026	SWIVEL, SPARK CONTROL	23	18
F660911	PLATE (REMOTE CONTROL)	39	18	F84035-2	BEARING, SPARK CONTROL, R.H.	23	21
				F84036	BEARING, SPARK CONTROL, L.H.	23	17
				F84280	KINGPIN NUT	27	30
				F84314-2	ELBOW, FUEL	21	26
				F84314-2	ELBOW, FUEL LINE	21	23
				F84449	SWITCH, NEUTRAL INTERLOCK	5	32
				F84792	GASKET, FUEL PUMP VALVE	9	23
				F85372	PIN, GEAR SHIFT ROD LOWER	33	38
				F8538	SPRING PIN	29	72

# PARTS INDEX

Part Number	Description	Pg.	Ref. No.	Part Number	Description	Pg.	Ref. No.
F85498-1	FLYWHEEL KEY	19	18	FA433471	COVER, CYLINDER DRAIN W/FITTING	21	17
F85502	LINK, THROTTLE	23	8	FA435116	EXHAUST, SNOUT	33	40
F8559	PIN, DOWEL	15	30	FA435135	COVER, LEG ST'BD	31	90
F85610	BEARING	23	24	FA435145	COVER, LEG PORT	31	91
F85634-2	SCREW, CONNECTING ROD	19	7	FA435616	GEAR SHIFT ROD INTERMEDIATE	35	53
F85735-1	SEAL, TRIM (INSIDE OF COVER)	3	32	FA438431	BODY, FUEL PUMP	9	12
F85756	SUPPORT PLATE PACKING	3	12	FA458480	ENGINE COVER RETAINER	3	7
F85908-1	WIRE, STARTER	7	6	FA463060	WATER PUMP BODY	35	-
F88161-4	REED STOP	25	11	FA463060	WATER PUMP BODY	35	49
F89011	SWIVEL BRACKET WASHER	27	31	FA485662	BEVEL GEAR REAR W/BEARING	33	18
F89025	PAD, DAMPENING - LEG COVER	31	94	FA485914	SEAL, INLET WATER LINE, LOWER	35	51
F89504	GROMMEL, MOTOR LEG EXHAUST COVER	31	93	FA486054	GEAR HOUSING LOWER W/THRUST BEARING CUP AND	33	26
F89777-1	LATCH CAM	3	23	FA545554	GEAR HOUSING UPPER	35	42
F90014	BEARING, CRANKSHAFT, LOWER MAIN	19	9	FA613072	SWIVEL BRACKET	27	36
F901563	DRIVE PIN	35	-	FA616497	TERMINAL BLOCK	5	5
F901563	DRIVE PIN, WATER PUMP IMPELLER	33	4	FA658010	CYLINDER W/CRANKSHAFT COVER AND DEFLECTOR PLATE	15	1
F9018	PLASTIC CAP, PIVOT TUBE	29	71	FA658097	FLYWHEEL	5	1
F9052	PLASTIC PLUG, PIVOT TUBE	29	46	FA658158	REED PLATE	25	9
F90619-2	YOKE	35	56	FA658260	RING SET (STANDARD)	19	15
F90871-3	GEAR SHIFT ARM PIN	33	22	FA658746	COVER, FUEL PUMP	9	1
F91446-1	BRACKET	5	11	FA84754-1	FUEL LINE SHORT	37	8
F92759	ROLLER	13	43	FA89128-1	DRIVESHAFT	33	3
F93472-1	GASKET, CYLINDER DRAIN COVER	15	-	FA89832-2	MOTOR LEG EXHAUST COVER	27	20
F93472-1	GASKET, CYLINDER DRAIN COVER	21	16	FA94094-2	PROPELLER NUT	33	9
F93748-1	GASKET, CYLINDER DRAIN REED PLATE	17	-	FC311398	DECAL, TOTE TANK-CANADA (NOT SHOWN)	37	-
F93748-1	GASKET, CYLINDER DRAIN REED PLATE	21	9	FC486054	GEAR HOUSING KIT.	33	-
F93811	SCREEN, CYLINDER DRAIN REED PLATE	21	10	FC658010	SHORT BLOCK.	15	-
F93920	REED STOP, CYLINDER DRAIN	21	13	FC658746	FUEL PUMP COMPLETE, INCLUDES ITEMS 1, 2, 7, 8 & 11 THRU 20	9	26
F97008-1	STUD, LONG	33	31	FG1024	GASKET SET	15	33
F97067	GASKET, THERMOSTAT COVER	15	25	FK10120-1	FLOAT KIT, VALVE & SEAT	11	31
F97067	GASKET, THERMOSTAT COVER	17	-	FK10202	REPAIR KIT.	11	32
F97068-2	THERMOSTAT	15	23	FK10209	GASKET KIT.	11	17
F97772	CLAMP, FUEL LINE	9	9	FK1073	WATER PUMP KIT.	35	58
F98273	STUD, ROD END CONNECTOR	23	29	FK1074	GEAR HOUSING SEAL KIT.	35	57
F99521-1	CLUTCH	33	24	FK247	PROPELLER PIN, PACK OF 6	33	12
FA307779	BAFFLE, AIR INTAKE	3	25	FK405020	SWIVEL W/#405457 AND NUT	23	12
FA328763	COVER LATCH HANDLE W/SHAFT	3	16	FK433838	TOWERSHAFT	23	11
FA366778	ENGINE COVER RETAINER FORWARD	3	26	FK606711	PLATE, FRONT	3	29
FA40655	RACE, CRANKSHAFT CENTER MAIN BEARING W/SNAP RING (40410)	19	5	FK85228-1	CAGE, BEARING WITH ROLLERS (16 PER SET)	19	6
FA411222	COVER, TRANSFER PORT	21	22	FO14166	NEEDLE, IDLE	11	27
FA433113	STERN BRACKET LOCK BAR	29	74	FO15623	BOWL RING GASKET	11	15
				FO16620	SHAFT RETAINER RING	11	2
				FOB3405	INSTALLATION INSTRUCTIONS	43	-

# PARTS INDEX

Part Number	Description	Pg.	Ref. No.	Part Number	Description	Pg.	Ref. No.
FS307940	KINGPIN PLATE . . . . .	27	6	33-82370M	SPARK PLUG, L-82-C . . . . .	15	21
FS409752	FUEL LINE - COMPLETE - . .	37	-	37-817792A1	DECAL, TIMING . . . . .	25	13
FS662712	ENGINE COVER . . . . .	3	1	37-817910--1	DECAL, ADHESIVE BACK . .	5	36
FSA658015	PISTON (.010 OVER) . . . . .	19	-	39-818131A1	RING SET (.030 OVER) . . . .	19	-
FSA658260	RING SET (.010 OVER) . . . .	19	-	43-817824A2	BEVEL GEAR FRONT W/BEARING AND CUP . . . .	33	25
FT11259	MULTIMETER . . . . .	47	-	44-819500A3	PROPELLER SHAFT ASSEMBLY . . . . .	33	21
FT11260	SPARK TESTER . . . . .	47	-	89-817760A2	CHOKE SOLENOID . . . . .	5	37
FT1749	RETAINING RING PLIERS . .	45	-	597-	US MARINE OUTBOARD GEAR LUBE . . . . .	50	-
FT2938-1	TEST LIGHT . . . . .	47	-	600-818052A4	ROD, CONNECTING W/CAP AND SCREWS (85634-2) . .	19	12
FT2951	CIRCUIT TRACER . . . . .	47	-	700-818130A1	PISTON (.030 OVER) . . . . .	19	-
FT2953	SOCKET . . . . .	45	-	F596-	US MARINE OUTBOARD OIL	50	-
FT2955A	TEST WHEEL . . . . .	47	-				
FT2961	LUBRICANT - RYKON GREASE #2EP . . . . .	48	-				
FT2962-2	SEALANT - 50 CC LOCTITE H, NON-HARDENING GRADE . . . . .	48	-				
FT2963-2	SEALANT - 2 OZ. LOCTITE #271 . . . . .	48	-				
FT2987-1	LUBRICANT - ANTI-SEIZE . .	48	-				
FT2990	PISTON PIN REMOVER . . . .	45	-				
FT2991	CARBON BRUSH . . . . .	45	-				
FT2996	RING COMPRESSOR . . . . .	45	-				
FT2998	TORQUE WRENCH (0- 100LBS./FT.) . . . . .	45	-				
FT2999	TORQUE WRENCH (0- 600LBS./IN.) . . . . .	45	-				
FT3431	SEAL INSTALLER . . . . .	46	-				
FT3510	SEAL INSTALLER . . . . .	45	-				
FT3512	SEAL SLEEVE . . . . .	45	-				
FT8900	HOSE CLAMP PILERS . . . . .	45	-				
FT8904	FORWARD BEARING CUP INSTALLER . . . . .	46	-				
FT8907	DRIVER HANDLE . . . . .	46	-				
FT8918	BUSHING GUIDE SET . . . . .	46	-				
FT8919	SPRING PIN PUNCH . . . . .	46	-				
FT8921	FORWARD BEARING CUP REMOVER . . . . .	46	-				
FT8926	RING EXPANDER . . . . .	45	-				
FT8933	LIFTING EYE . . . . .	45	-				
FT8935	SEALANT PRIMER - 6 OZ. LOC QUIC T . . . . .	48	-				
FT8936-1	SEALANT - 2 CC LOCTITE RETAINING COMPOUND #75 . . . . .	48	-				
FT8945	RETAINER PUNCH . . . . .	46	-				
FT8948-1	PULLER . . . . .	44	-				
FT8948-1	PULLER . . . . .	46	-				
FT8950	LEAKAGE TESTER . . . . .	47	-				
FT8957	SEAL INSTALLER . . . . .	46	-				
FT8962	BEARING INSTALLER . . . . .	46	-				
FT8964	BEARING REMOVER . . . . .	46	-				
FT8969	LUBRICANT - 7 OZ. LUBRICANT LPS-1 . . . . .	48	-				
FT8978	TIMING LIGHT . . . . .	44	-				
FT8983	SEALANT - RTV . . . . .	48	-				
26-817766A1	SEAL, KINGPIN PLATE . . . .	27	5				
31-817731A5	PROPELLER SHAFT BEARING CAGE. . . . .	33	14				
32-817738A1	FUEL LINE, LONG . . . . .	37	10				