



PARTS CATALOG

FORCE 1987 125 H.P. "B" MODELS

SERIAL NUMBER

125 H.P. (1987)	1251F7B
125 H.P. (1987)	1251X7B
125 H.P. (1987)	1253X7B
125 H.P. (1987)	1254X7B
125 H.P. (1987)	1258F7B
125 H.P. (1987)	1258M7B
125 H.P. (1987)	1258V7B
125 H.P. (1987)	1258X7B
125 H.P. (1987)	C1251F7B
125 H.P. (1987)	C1258F7B

TABLE OF CONTENTS:

ACCESSORIES	51
ADAPTER AND REED PLATE	16
CARBURETOR	12
CRANKSHAFT AND PISTON	26
ELECTRICAL COMPONENTS	6
ENGINE COVER AND SUPPORT PLATE	2
FUEL PUMP	18
FUEL TANK AND LINE	40
GEAR HOUSING	32
MOTOR LEG	28
PARTS BREAKDOWN TILT CYLINDER, TRIM CYLINDER, MOTOR & PUMP	44
PARTS INDEX	53
POWER HEAD	20
POWER TRIM UNIT	42
REMOTE CONTROL	38
SPECIAL TOOLS - GEAR HOUSING	48
SPECIAL TOOLS - LUBRICANTS AND SEALANTS	50
SPECIAL TOOLS - POWER HEAD	47
SPECIAL TOOLS - TEST EQUIPMENT	49
SPECIAL TOOLS - TUNE-UP	46
STARTER	10

NOTE: *Indented description indicate that these parts are included in preceeding assembly.*

AR = As Required

NSS = Not Sold Separate

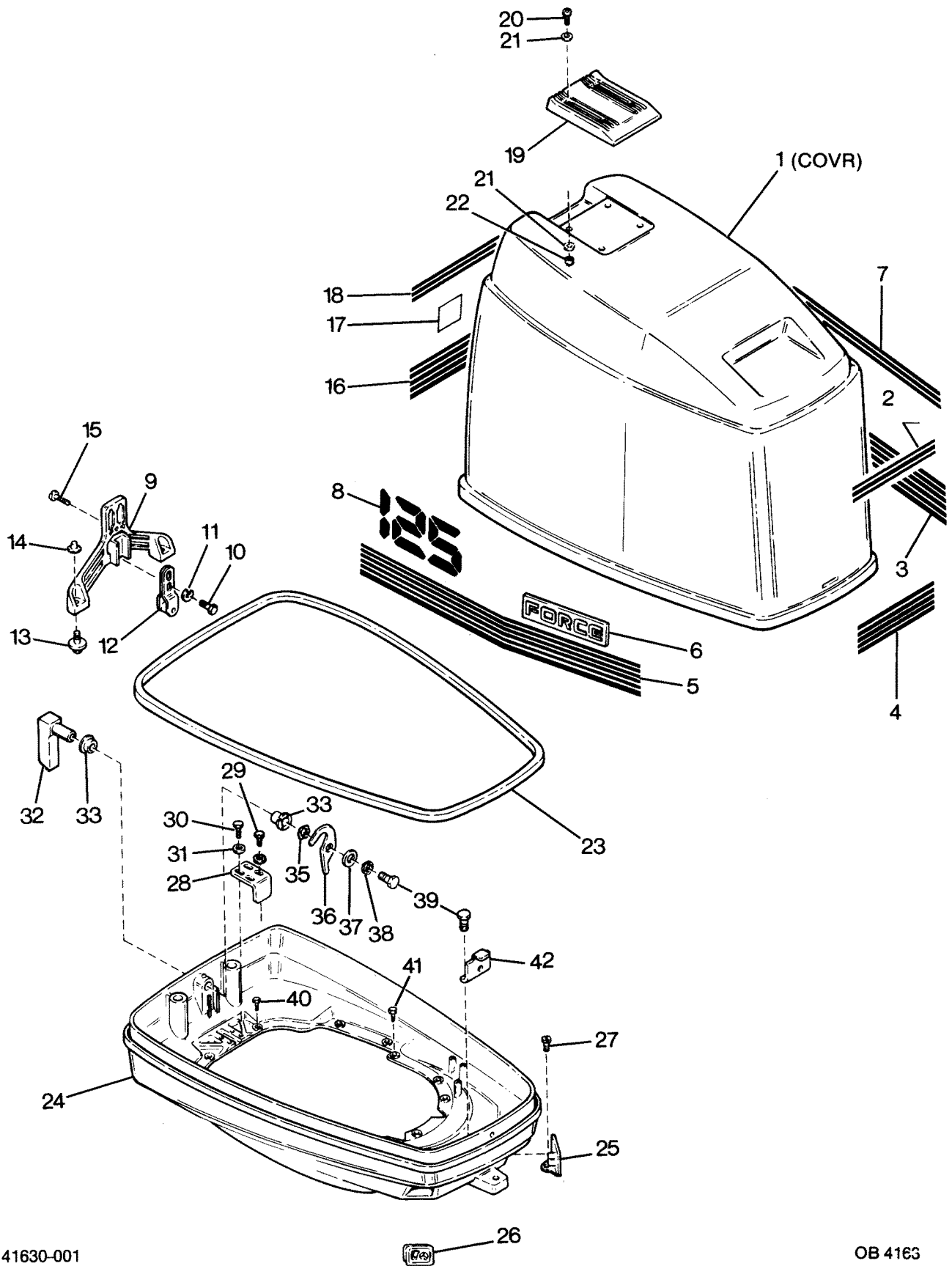
OPT = Optional

NS = Not Shown

THESE PARTS BOOKS/FICHE CARD ARE COPYRIGHTED AND MAY NOT BE DISTRIBUTED OR REPRODUCED IN ANY OTHER FORMAT BY ANYONE OTHER THAN MERCURY MARINE WITHOUT THE PRIOR WRITTEN CONSENT OF MERCURY MARINE.

THIS PAGE INTENTIONALLY LEFT BLANK

ENGINE COVER AND SUPPORT PLATE



41630-001

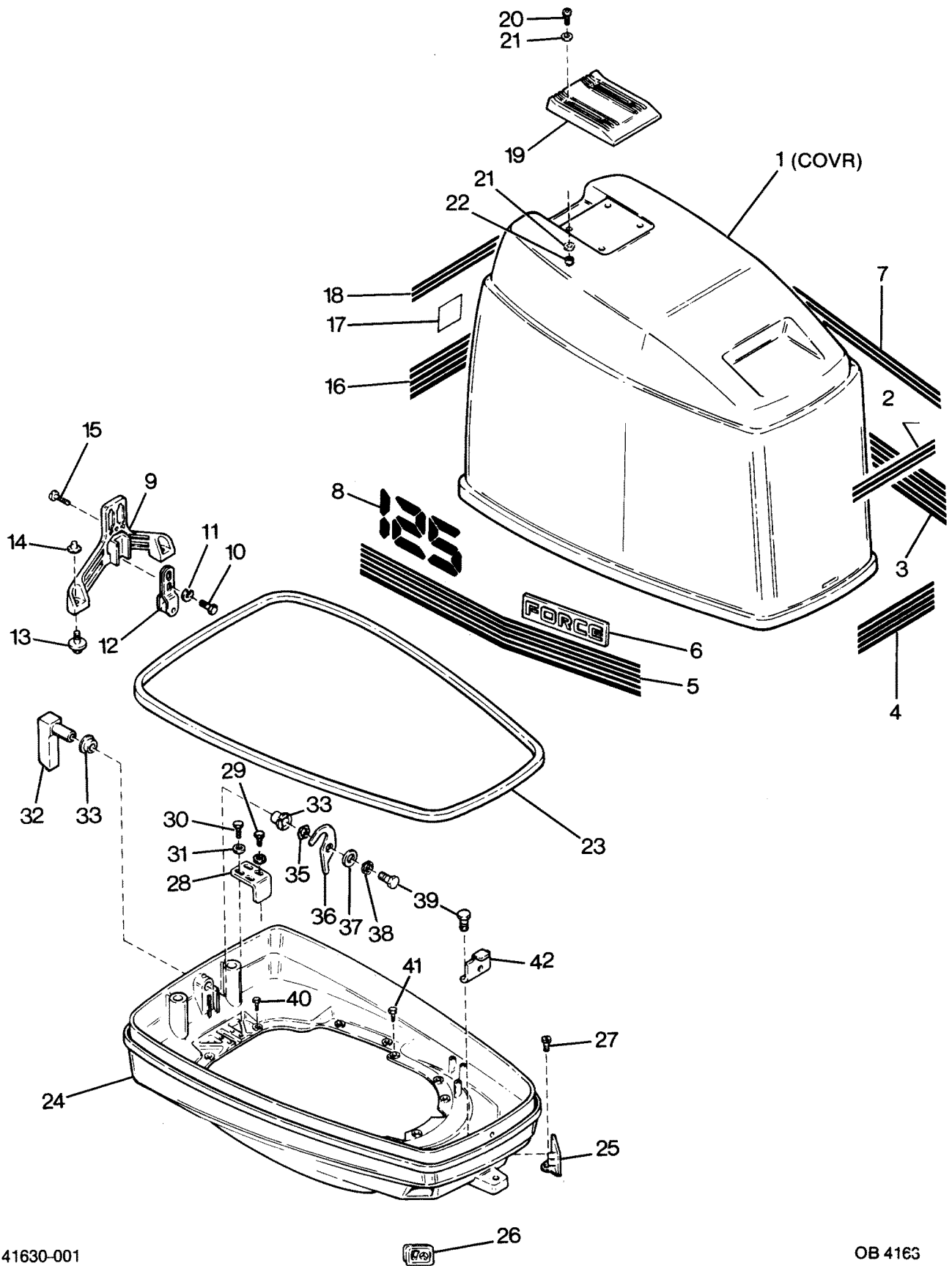
OB 4163

ENGINE COVER AND SUPPORT PLATE

REF. NO.	PART NO.	SYM.	QTY.	DESCRIPTION
1	FS664712		1	ENGINE COVER (WITHOUT PAINT, DECALS OR HARDWARE)
-	F2C664712		-	ENGINE COVER COMPLETE
2	F663894		1	DECAL, TOP - FRONT
3	F663397		1	DECAL, BOTTOM - PORT
4	F663892		1	DECAL, BOTTOM - FRONT
5	F663396		1	DECAL, BOTTOM - STARBOARD
6	F663366		2	MEDALLION - FORCE
7	F663373		2	DECAL, TOP - SIDE
8	F664386		2	DECAL, NUMBER 125
9	F663774-1		1	BRACKET, ENGINE COVER LATCH
10	F1857		2	HEX CAP SCREW, 5/16 - 18 X 5/8
11	F8096		2	SPRING LOCKWASHER
12	FA481743		1	BRACKET, ROLLER LATCH W/ROLLER
13	F481434		2	GUIDE, ENGINE COVER
14	F2088		2	FASTENER
15	F1493		3	PAN HD SCREW 5/16 - 18 X 5/8 SS
16	F663528		1	DECAL, BOTTOM - REAR
17	F665387		1	DECAL, LOGO (US MARINE)
18	F663585		1	DECAL, TOP - REAR
19	F663269		1	HANDLE, TILT
20	F2143		4	HEX SOC. HD SCREW, 1/4 - 20 X 1 SS
21	F2012		8	WASHER
22	F7024		4	STOP NUT, 1/4 - 20
-	F663984		1	BLANKET, TOP (NOT SHOWN)
-	F664985		2	BLANKET, SIDE (NOT SHOWN)
23	F663756		1	PACKING
24	F663038		1	SUPPORT PLATE
25	F549189		1	BUSHING, ELECTRIC CABLE
26	F660189		1	BUSHING, CABLE ENTRY
27	F1733		3	PAN HD SCREW, 10 - 24 X 9/16
28	F335654-1		1	DEFLECTION STOP
29	F1858		2	HEX CAP SCREW, 5/16 - 18 X 1
30	F1857		2	HEX CAP SCREW, 5/16 - 18 X 5/8
31	F8096		4	SPRING LOCKWASHER
32	FA663469		1	ENGINE COVER LATCH HANDLE W/SHAFT
33	F286818		2	BEARING, LATCH SHAFT
35	F2047		1	WAVE WASHER
36	F481777		1	CAM, LATCH SHAFT
37	F8094		1	WASHER

CONTINUED ON NEXT PAGE ➡

ENGINE COVER AND SUPPORT PLATE



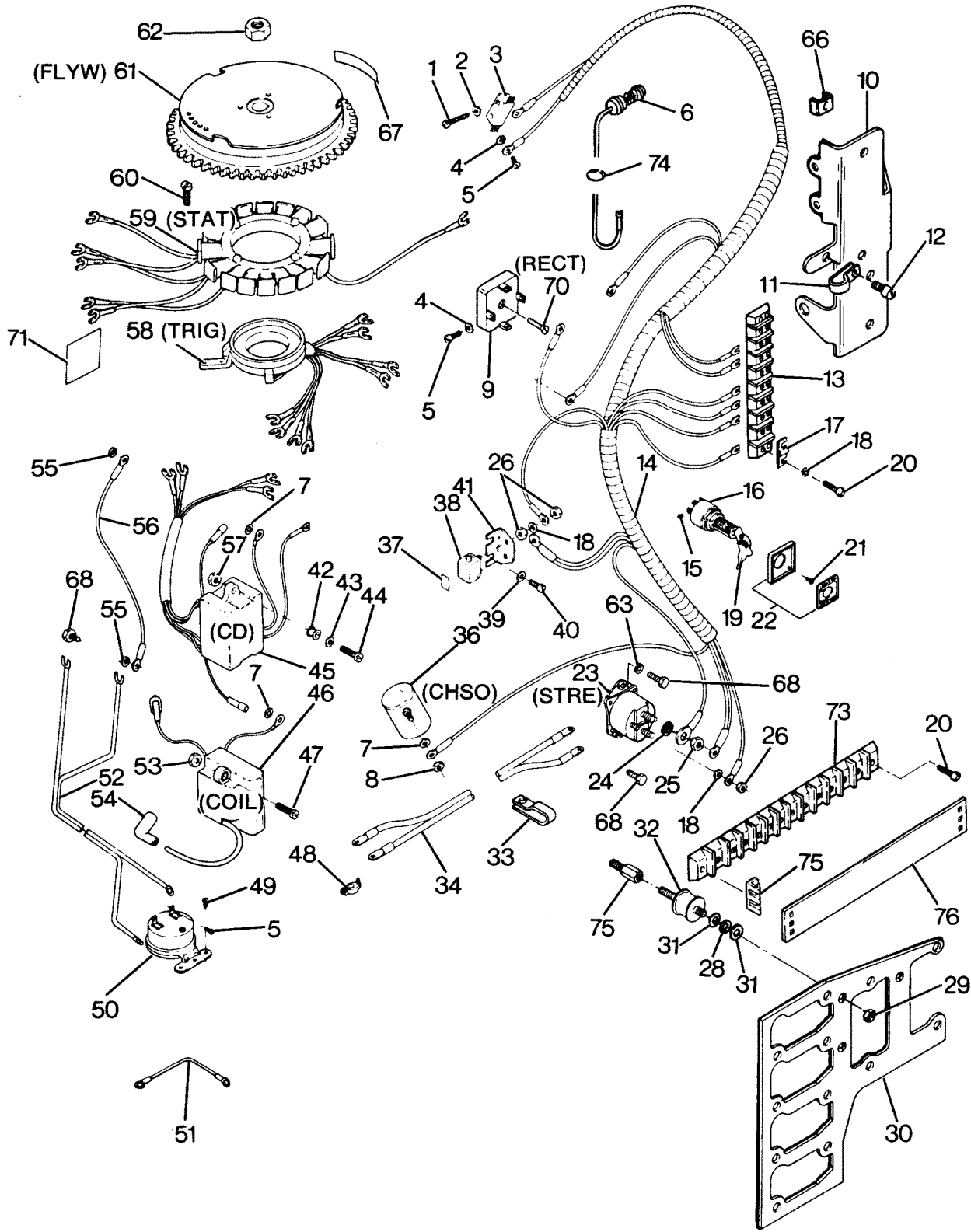
41630-001

OB 4163

ENGINE COVER AND SUPPORT PLATE

REF. NO.	PART NO.	SYM.	QTY.	DESCRIPTION
38	F8083		1	LOCKWASHER
39	F1854		3	HEX CAP SCREW 1/4 - 20 X 5/8
40	F1203		6	HEX CAP SCREW 1/4 - 20 X 7/8
41	F1238		7	HEX CAP SCREW 1/4 - 20 X 3/4
42	F663480		1	RETAINER

ELECTRICAL COMPONENTS

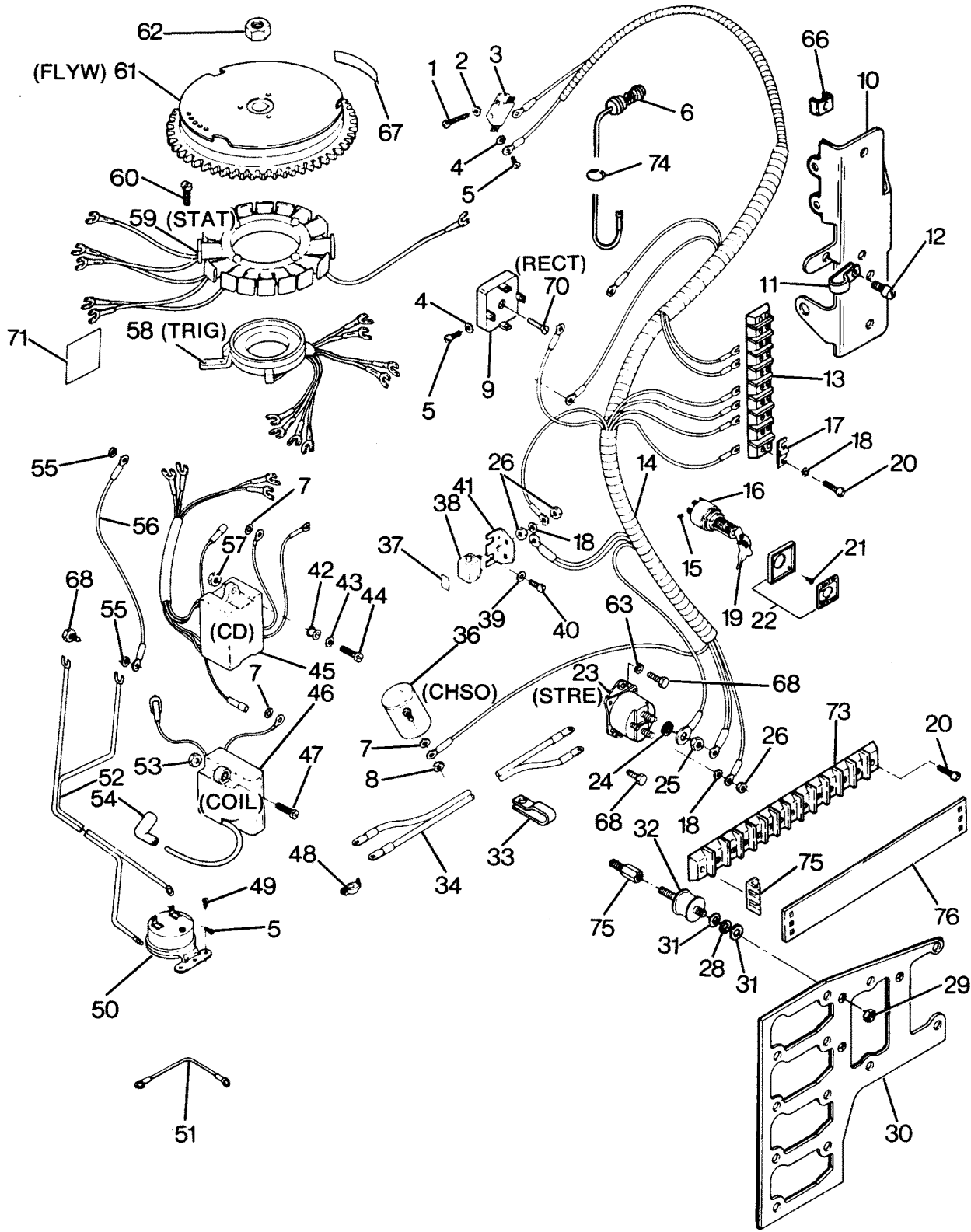


ELECTRICAL COMPONENTS

REF. NO.	PART NO.	SYM.	QTY.	DESCRIPTION
1	F2016		2	SLOTTED FILL HD SCREW, 6 - 32 X 7/8
2	F8088		2	PLAIN WASHER
3	F84449		1	NEUTRAL INTERLOCK SWITCH
4	F1704		6	INTERNAL TOOTH LOCKWASHER
5	F1645		8	RD HD SCREW, 6 - 32 X 1/4
6	F629449-1		1	THERMOSWITCH
7	F8056		2	SPRING LOCKWASHER
8	F1647		2	HEX NUT, 8 - 32
9	F650450		1	RECTIFIER WILLUS. 4, 5, 70 AND LITERATURE
10	FA439493		1	BRACKET, TERMINAL BLOCK WILLUS. 12 & 66
11	F289446-1		1	CLAMP, REMOTE ELEC. CABLE TO BRACKET
12	F1734		2	FILL HD, SCREW, 1/4 - 20 X 1/2
13	FA616497		1	TERMINAL BLOCK WILLUS. 17 & 20
14	F653744		1	WIRING HARNESS
15	F1280		6	SLOTTED PAN HD SCREW, 8 - 32 X 1/4
16	F5H078		1	SWITCH, IGNITION , LONG BARREL W/KEYS AND SCREWS (ACCESSORY ITEM)
17	F307317		7	CLIP, TERMINAL BLOCK GROUND
18	F1975		6	LOCKWASHER
19	817782--1		0	KEY IGNITION - NO LETTER OR STAMPED A
-	817883--1		0	KEY IGNITION - STAMPED B
-	817891--1		0	KEY IGNITION - STAMPED C
-	817928--1		0	KEY IGNITION - STAMPED D
-	817929--1		0	KEY IGNITION - STAMPED E
-	FA27232		1	EMERGENCY STARTER ROPE (NOT SHOWN)
20	F1648		2	PAN HD SCREW, 10 - 24 X 3/4
21	F1934		4	FLAT HD SCREW, 6 X 1/2
22	F5H038		1	IGNITION SWITCH MOUNTING KIT
23	FK460917		1	STARTER RELAY WILLUS. 63, 68 AND LITERATURE
24	F8096		2	SPRING LOCKWASHER
25	F1515		2	HEX NUT, S.S., 5/16 - 18
26	F1513		6	HEX NUT, 10 - 32
28	F8090		3	PLAIN WASHER
29	F1515		3	HEX NUT, 5/16 - 18
30	FS664358		1	BRACKET (C.D. - COIL)
31	F8124		3	PLAIN WASHER
32	F215962		3	MOUNT (SHOCK - C.D. UNIT)
33	F407446		1	CLAMP
34	F381896-4		1	BATTERY CABLE
36	F654924		1	CHOKE SOLENOID
37	F510374-1		1	DECAL, CIRCUIT BREAKER
38	F510460		1	CIRCUIT BREAKER
39	F8011		2	PLAIN WASHER

CONTINUED ON NEXT PAGE ➡

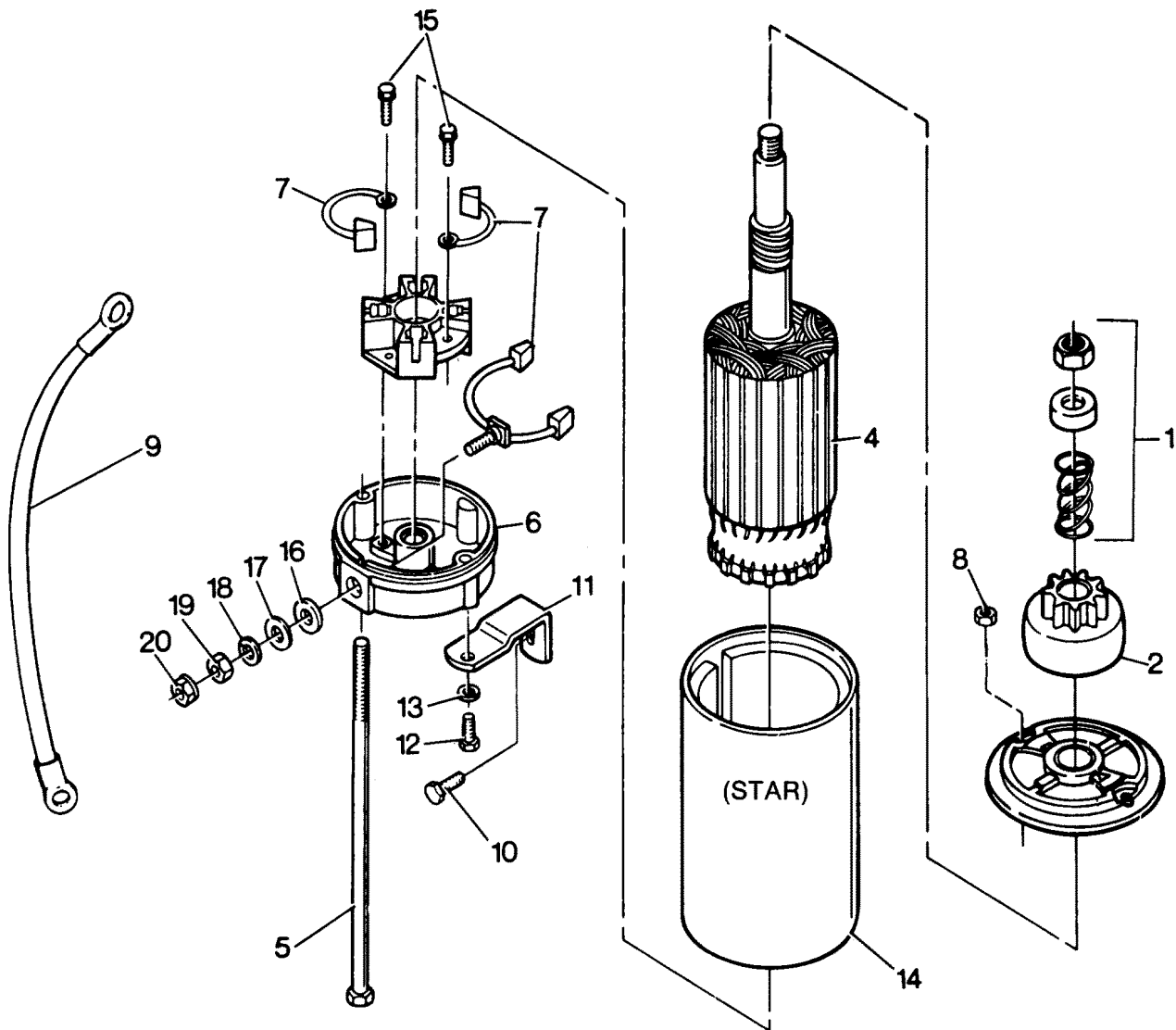
ELECTRICAL COMPONENTS



ELECTRICAL COMPONENTS

REF. NO.	PART NO.	SYM.	QTY.	DESCRIPTION
40	F1760		2	SLOTTED PAN HD SCREW, 10 - 24 X 3/8
41	F91446-1		1	CIRCUIT BREAKER BRACKET
42	F475504		4	GROMMET
43	F8028		4	PLAIN WASHER
44	F2008		4	HEX HD. M. SC., 1/4 - 20 X 7/8
45	F653301-1		2	MODULE
46	F615475		4	IGNITION COIL
47	F2008		6	SLOTTED PAN HD SCREW 1/4 - 20 X 7/8
48	F5H041		1	BATTERY TERMINAL KIT (ACCESSORY ITEM)
49	F1741		2	PAN HD SCREW, 8 X 3/4
50	F5H043		1	BUZZER, HEAT INDICATOR
51	F345683		1	WIRE, GROUND (RECTIFIER TO STARTER BOLT)
52	F404841		1	CABLE, HEAT INDICATOR
53	F1341		1	NUT, 1/4 - 20
54	FK1123		4	SPARKIE KIT
55	F2106		2	LOCKWASHER
56	F319908		1	WIRE GROUND (C.D. - COIL BRACKET)
57	F1832		4	NUT, LOCK 1/4 - 20
58	F654029		1	TRIGGER ASSY.
59	F663095		1	ALTERNATOR STATOR
60	F1550		4	SLOTTED PAN HD. SCREW #12 - 24 X 1
61	200-817865A1		1	FLYWHEEL W/ILLUS. 67 ORIGINAL FORCE P/N A 615097-1
62	F1968		1	HEX NUT, 3/4 - 16
63	F8083		1	SPRING LOCKWASHER
64	F1877		1	TY-RAP (NOT SHOWN)
66	F438668		1	RETAINER
67	FA609853		1	DECAL, WARNING W/LITERATURE
68	F1705		3	HEX WASHER HD. M SCREW 1/4 - 20 X 3/4
70	F1303		1	PAN HD SCREW, 8 - 32 X 3/4
71	F654398		1	DECAL, 4 CYL. WIRING
72	F664384		2	CLIP, TERMINAL BLOCK COVER
73	F654497		1	TERMINAL BLOCK (12 POSITION)
74	F428096		1	RETAINER, THERMOSWITCH
75	F322273		1	STUD
76	F664672		1	COVER, TERMINAL BLOCK

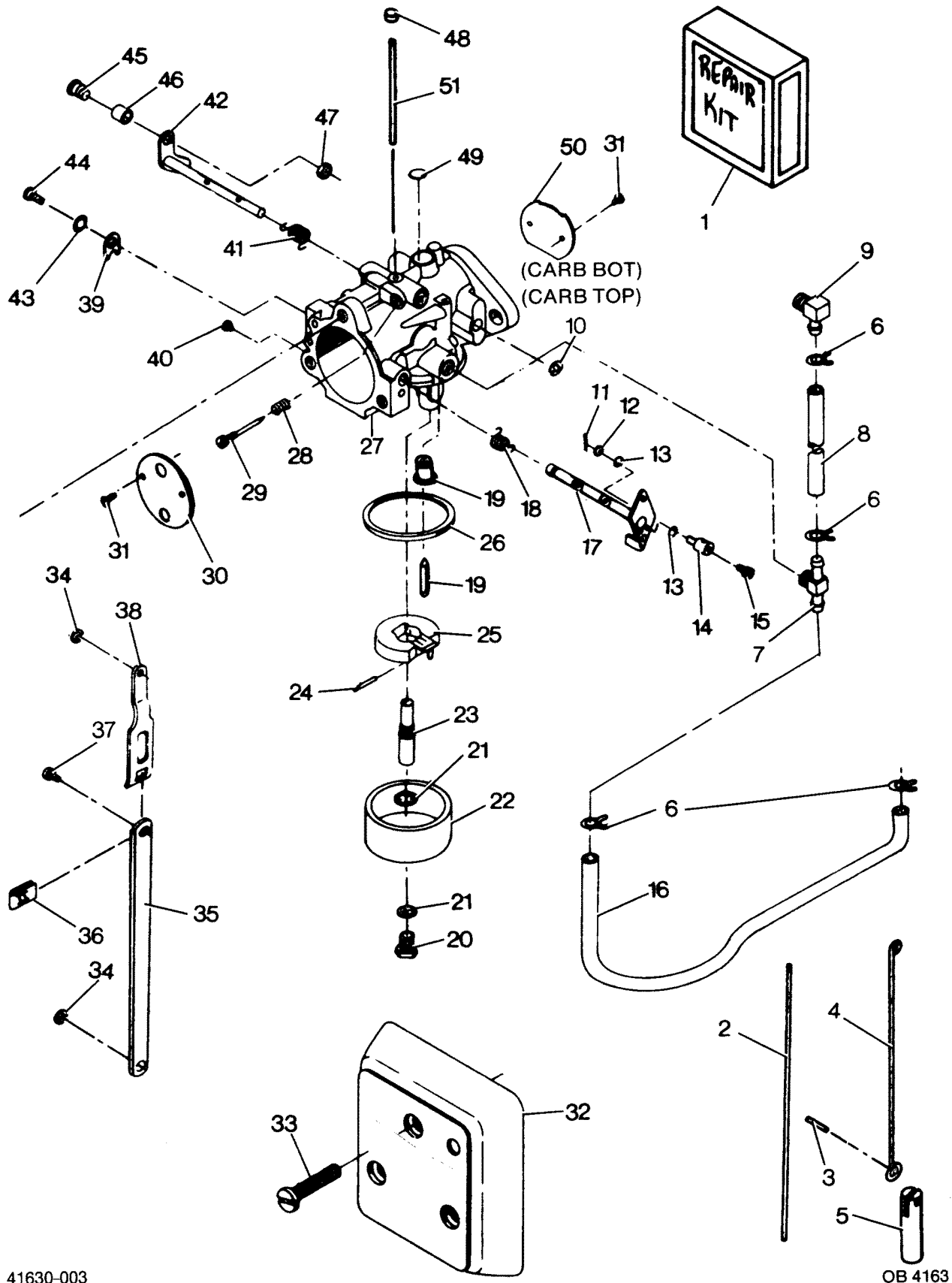
STARTER



STARTER

REF. NO.	PART NO.	SYM.	QTY.	DESCRIPTION
1	F15174		1	DRIVE KIT
2	F15175		1	DRIVE ASSEMBLY PINION
3	F15176		1	CAP STARTER DRIVE
4	F15177		1	ARMATURE
5	F15178		1	THRU BOLT PACKAGE
6	F15179		1	COMMUTATOR
7	F15164		1	BRUSH KIT
8	F1641		2	LOCK NUT
9	F85908-1		1	LEAD WIRE
10	F1922		1	HEX CAP SCREW, 1/4 - 20 X 5/8
11	F616675		1	STARTER BRACKET LOWER
12	F1854		1	HEX HD. CAP SCREW, 1/4 - 20 X 5/8
13	F8083		1	SPRING LOCKWASHER
14	F616955		1	STARTER COMPLETE. INCLUDES ALL ITEMS MARKED WITH AN ASTERISK (*).
15	F15158		1	SCREW, BRUSH HOLDER
16	F15160		1	INSULATOR WASHER
17	F15161		1	PLAIN WASHER
18	F15152		1	LOCKWASHER
19	F1341		1	NUT
20	F15162		1	NUT

CARBURETOR



41630-003

OB 4163

CARBURETOR

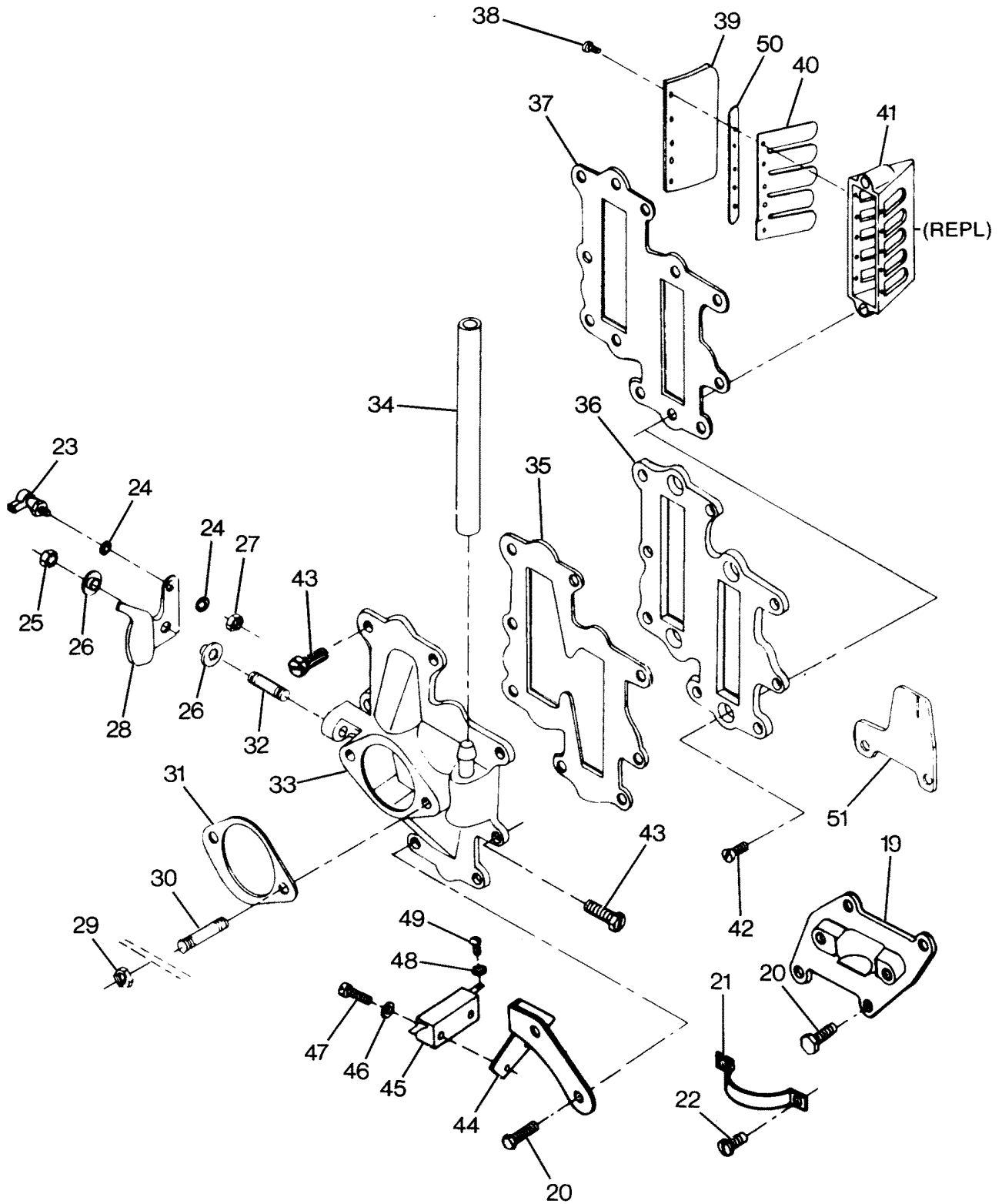
REF. NO.	PART NO.	SYM.	QTY.	DESCRIPTION
1	FK10103		1	REPAIR PARTS KIT
2	F85509-1		1	LINK, CHOKE
3	F2033		1	GROOVE PIN
4	F440925		1	CHOKE ROD
5	F391926-1		1	PLUNGER
6	F97772		4	CLAMP
7	F85314-1		1	FUEL FITTING - BOTTOM CARBURETOR
8	F178754-1		1	FUEL LINE
9	F84314-2		1	ELBOW - TOP CARBURETOR
10	FO16620		E-RING	
11	F1014		2	COTTER PIN
12	F8088		3	PLAIN WASHER
13	F184579		5	O-RING SEAL
14	F184033-1		1	SWIVEL, TOP CARBURETOR
15	F1059		2	FILL HD SCREW, 6 - 32 X 1/4
16	F438754		1	FUEL LINE
17	FO16301		1	CHOKE SHAFT AND LEVER
18	FO17885		1	CHOKE SHAFT RETURN SPRING
19	FK10107		1	INLET NEEDLE AND SEAT W/LITERATURE
20	FO16132		1	FUEL BOWL RETAINING SCREW
21	FO5323		2	FUEL BOWL RETAINING SCREW GASKET
-	F85033		1	SWIVEL, CHOKE ROD (BOTTOM CARBURETOR) (NOT SHOWN)
-	FK10023		1	GASKET SET. INCLUDES ILLUS. 21, 26 (This Section) AND 31 ON ADAPTOR & REED PLATE SECTION.
22	FO16130		1	FUEL BOWL
23	FO16133		1	MAIN NOZZLE
24	FO13944		1	FLOAT LEVER PIN
25	FO13554		1	FLOAT
26	FO15623		1	FUEL BOWL GASKET
27	F589061-1		1	CARBURETOR COMPLETE (TOP)
-	F664061		1	CARBURETOR COMPLETE (BOTTOM)
28	FO11103		1	IDLE MIXTURE SCREW SPRING
29	FO14166		1	IDLE MIXTURE SCREW
30	FO17719		1	CHOKE, SHUTTER
31	FO8942		4	CHOKE AND THROTTLE SHUTTER SCREW
32	F511708-1		2	COVER, CARBURETOR
33	F1034		6	PAN HD. SCREW, 1/4 - 20 X 1-3/8
34	F90807		2	RETAINING RING
35	FA178233		1	THROTTLE TIE BAR W/SWIVEL
36	F1693		1	TIE BAR RETAINER NUT
37	F1064		1	FILL HD. SCREW, 8 - 32 X 3/8
38	FA85193		1	TIE BAR END W/SWIVEL
39	FO9678		1	CLIP, CHOKE SHAFT

CONTINUED ON NEXT PAGE ➡

CARBURETOR

REF. NO.	PART NO.	SYM.	QTY.	DESCRIPTION
40	FO14191		1	MAIN FUEL JET STD. .0937 SEA LEVEL - 1500 FT. (BOTTOM CARBURETOR)
-	FO18010		1	MAIN FUEL JET STD. .101 SEA LEVEL - 1500 FT. (TOP CARBURETOR)
-	FO14190		-	MAIN FUEL JET OPT. .092 1500 - 3000 FT.
-	FO15406		-	MAIN FUEL JET OPT .090 3000 - 4500 FT.
-	FO13193		-	MAIN FUEL JET OPT. .088 4500 - 6000 FT.
-	FO13949		-	MAIN FUEL JET OPT. .086 6000 FT. & UP
41	FO16143		1	THROTTLE SHAFT RETURN SPRING
42	FO17884		1	THROTTLE SHAFT AND LEVER
43	FO992		1	LOCKWASHER
44	FO1974		1	SCREW
45	F333316		1	THROTTLE ROLLER SHAFT
46	F92759		1	THROTTLE ROLLER
47	F1997		1	STOP NUT, 8 - 32
48	FO10588		4	BODY CHANNEL CUP PLUG
49	FO16128		1	BODY CHANNEL WELCH PLUG
50	FO16142		1	THROTTLE SHUTTER
51	FO16993		1	BY PASS TUBE

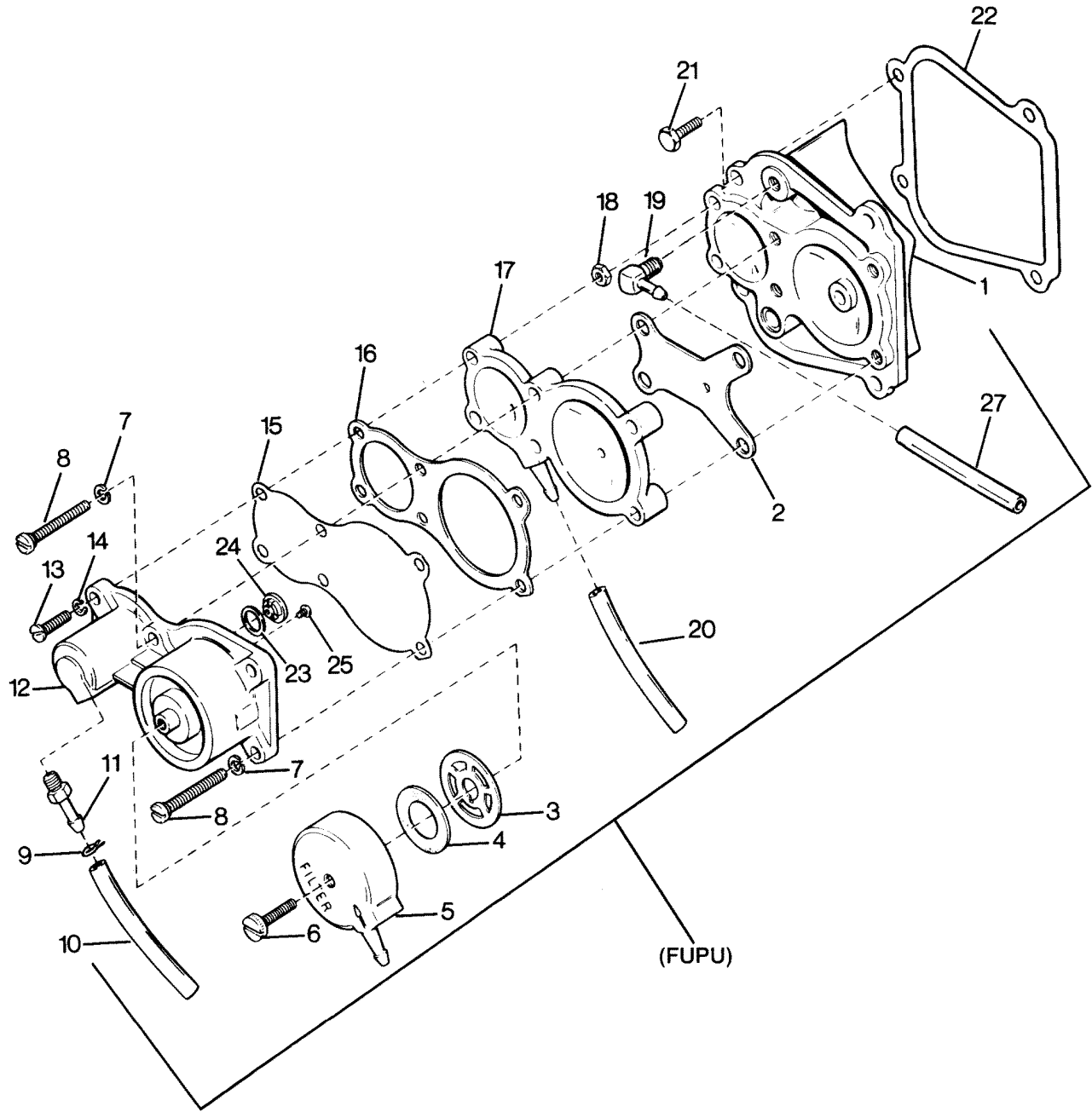
ADAPTER AND REED PLATE



ADAPTER AND REED PLATE

REF. NO.	PART NO.	SYM.	QTY.	DESCRIPTION
19	F372958		1	CHOKE BRACKET
20	F1532		6	HEX HD. SCREW, 1/4 - 20 X 1
21	F85317-3		1	SOLENOID CLAMP
22	F1236		2	SCREW, 1/4 - 20 X 1/2
23	817747--1		1	BALL JOINT W/STUD
24	F8058		2	INTERNAL TOOTH LOCKWASHER
25	F7008		1	STOP NUT, 1/4 - 20
26	F269319		2	THROTTLE CAM BEARING
27	F1513		1	HEX NUT, 10 - 32
28	F440192-1		1	THROTTLE CAM
29	F1346		4	HEX NUT
30	F440209		4	CARBURETOR STUD
31	F440906		2	CARBURETOR GASKET
32	F433209-1		1	THROTTLE CAM STUD
33	FA440167		1	CARBURETOR ADAPTER, LOWER W/FITTING AND ILLUS. 30
-	FA440157		1	CARBURETOR ADAPTER, UPPER W/FITTING AND ILLUS. 30 (NOT SHOWN)
34	F440254		1	BALANCE TUBE
35	F178168-1		1	GASKET, CARBURETOR ADAPTER
36	F178404-1		2	DEFLECTOR PLATE
37	F406406		2	GASKET DEFLECTOR PLATE
38	F1755		40	ROUND HD. SCREW W/LOCKWASHER 6 - 32 X 1/4
39	F85161-1		8	REED STOP
40	F530160		8	REED (5 PETAL)
41	F3A523158		4	REED PLATE W/ILLUS. 38, 39, 40, 44 AND 51
42	F1831		8	FLAT HD SCREW, 1/4 - 20 X 5/8
43	F2008		10	HEX HD SCREW, 1/4 - 20 X 7/8
44	F489551		1	BRACKET NEUTRAL INTERLOCK SWITCH
50	F523451		8	SPACER, REED STOP
51	F500894		1	POINTER, TIMING

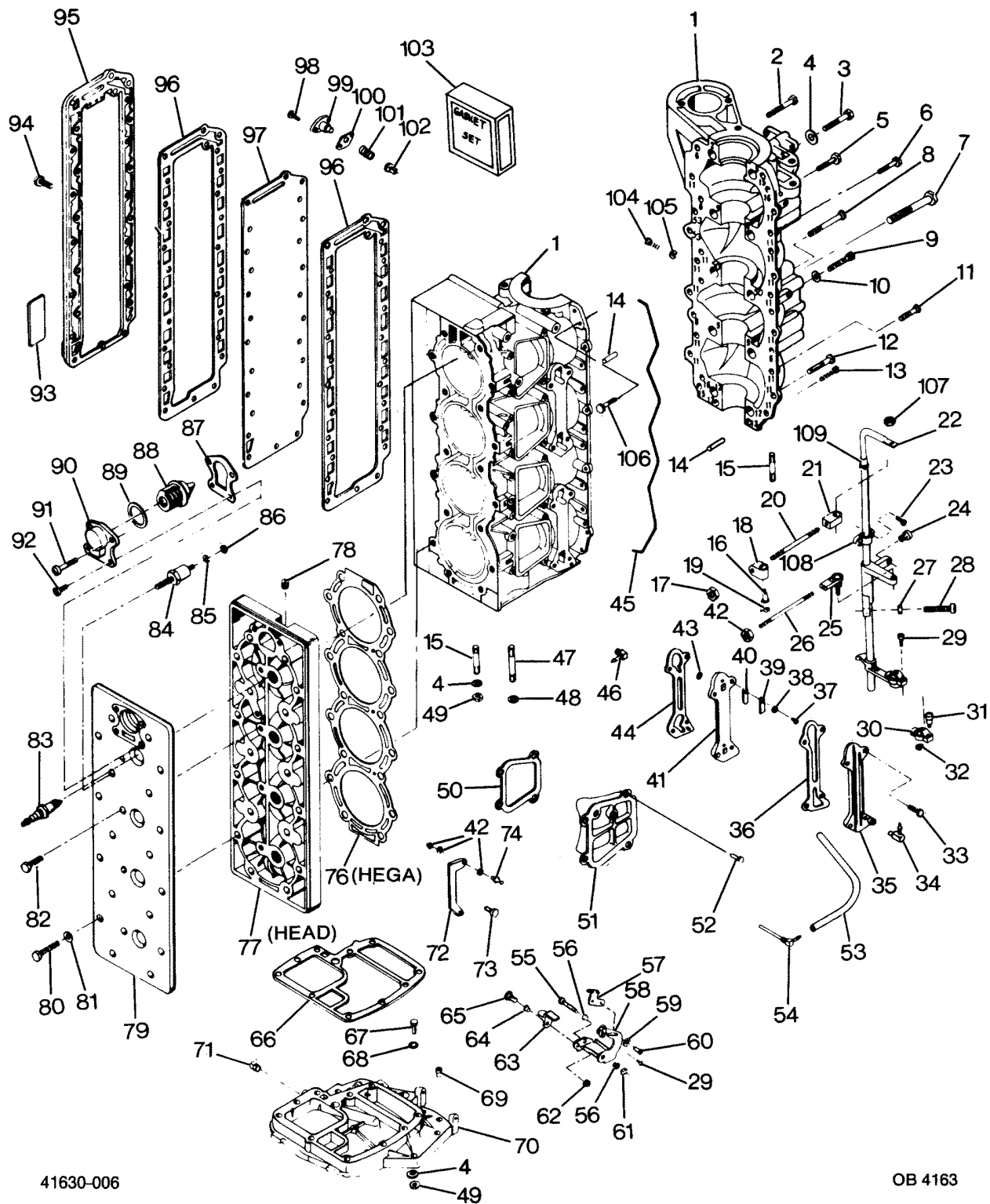
FUEL PUMP



FUEL PUMP

REF. NO.	PART NO.	SYM.	QTY.	DESCRIPTION
1	FA658746		1	COVER, FUEL PUMP W/LITERATURE
2	F658803		1	GASKET, SPACER PLATE
3	F438617		1	GASKET, FUEL SEDIMENT BOWL
4	F438653		1	SCREEN, FUEL PUMP
5	F438500		1	BOWL, FUEL SEDIMENT
6	F1648		1	SCREW, FUEL SEDIMENT BOWL
7	F8083		4	LOCKWASHER
8	F1504		4	SLOTTED FIL SCREW, 1/4 - 20 X 1-1/4 S.S.
9	F97772		2	CLAMP, FUEL LINE
10	F438754		1	FUEL LINE, PUMP TO CARBURETOR
11	F438801		1	ELBOW
12	FA438431		1	BODY, FUEL PUMP W/ILLUS.
13	F1648		2	SCREW, 10 - 24 X 3/4 PAN HD SCREW
14	F1975		2	LOCKWASHER
15	F438747		1	DIAPHRAGM, FUEL PUMP
16	F438760		1	GASKET, FUEL PUMP
17	F658836		1	SPACER, FUEL PUMP
18	F1473		2	NUT, 10 - 24 S.S.
19	F404310		1	ELBOW, RECIRCULATING
20	F89758		1	HOSE, IMPULSE
21	F1540		3	HEX HD SCREW, 1/4 - 20 X 5/8 GR. 5
22	F40223		1	GASKET, TRANSFER PORT COVER
23	F84792		1	GASKET, FUEL PUMP VALVE
24	F177330		3	VALVE, FUEL PUMP
25	F1860		2	SLOTTED BINDING HEAD SCREW, 6 - 32 X 1/4
-	F2A664746		1	FUEL PUMP COMPLETE INCLUDES ITEMS 1, 2, 7, 8 & 11 THRU 20
27	F441754-1		1	HOSE, RECIRCULATION

POWER HEAD



41630-006

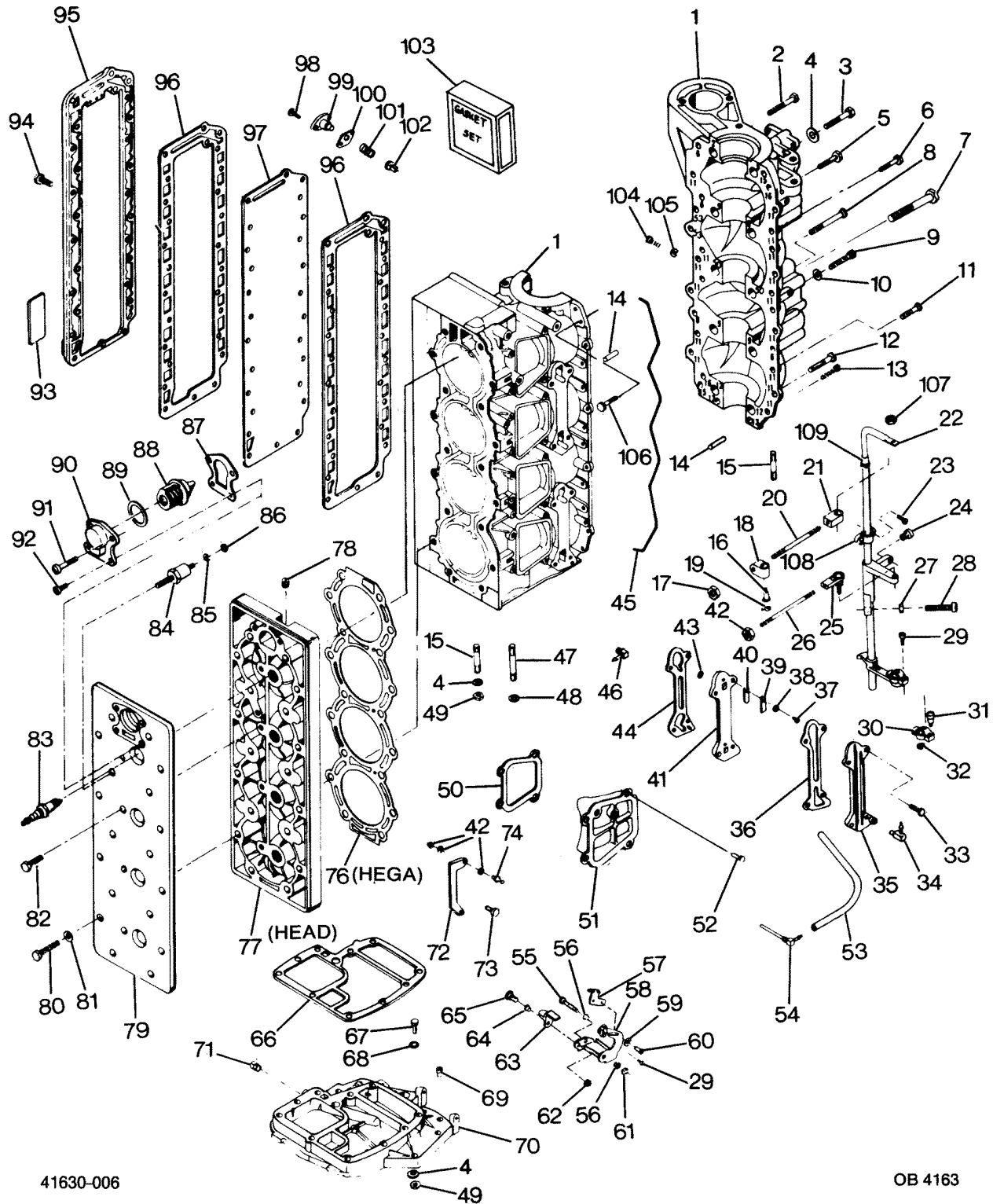
OB 4163

POWER HEAD

REF. NO.	PART NO.	SYM.	QTY.	DESCRIPTION
1	800-817864A6		1	CYLINDER W/CRANKCASE COVER, ILLUS. 2, 3, 7, 9, 12, 14, 15, 45 AND 47 ORIGINAL FORCE P/N A 615010-2
-	800-818154A6		1	SHORTBLOCK CONTAINS ALL ITEMS MARKED WITH AN ASTERISK (*). ALSO REFER TO CRANKSHAFT PAGE. ORIGINAL FORCE P/N C 615010-2
2	F1874		1	HEX HD. SCREW, 3/8 - 16 X 1/8
3	F1009		1	HEX HD. SCREW, 3/8 - 16 X 2-3/4
4	F8038		4	PLAIN WASHER
5	F2008		2	HEX HD. SCREW, 1/4 - 20 X 7/8
6	F2008		3	HEX HD. SCREW, 1/4 - 20 X 7/8
7	F1873		2	HEX CAP SCREW, 3/8 - 16 X 3
8	F1699		1	HEX HD. SCREW, 1/4 - 20 X 1-1/8
9	F1253		4	HEX SOCKET HD. CAP SCREW, 3/8 - 16 X 2
10	F8104		4	PLAIN WASHER
11	F1864		16	HEX HD. SCREW, 1/4 - 20 X 3/4
12	F1872		2	HEX CAP SCREW, 3/8 - 16 X 1-3/4
13	F1504		2	FILL HD. SCREW, 1/4 - 20 X 1-1/4
14	F8563		2	DOWEL PIN
15	F85859		4	STUD
16	F499026		1	SWIVEL
17	F2015		1	HEX NUT, 1/4 - 28
18	F499035		1	END, CONTROL ROD (TO TOWERSHAFT)
20	F85445		1	CONTROL ROD
21	F499036		1	END, CONTROL ROD (TO TIGGER)
22	817960A2		1	TOWERSHAFT W/ILLUS. 30, 76, 77, 24, 25, 27 AND 28 ORIGINAL FORCE P/N K 491838-1
23	F1829		2	FILL HD. SCREW, 10 - 24 X 7/8
24	F1727		1	PLASTIC RIVET
25	817747--1		1	BALL JOINT W/STUD
26	F85502		1	THROTTLE LINK
27	F1341		1	HEX NUT, 1/4 - 20
28	F1052		1	FILL HD. SCREW, 1/4 - 20 X 1
29	F1556		2	FILL HD. SCREW, W/LOCKWASHER, 10 - 24 X 3/8
30	FK405020		2	SWIVEL W/CLAMP, SHOULDER SCREW AND NUT
31	F405457		1	PIVOT SCREW
32	F7008		1	ELASTIC STOP NUT
33	F1532		8	HEX HD. SCREW, 1/4 - 20 X 1
34	22-818103--1		1	ELBOW, CYLINDER DRAIN LOWER
-	F404801		1	ELBOW, CYLINDER DRAIN UPPER (NOT SHOWN)
35	F406471-1		2	CYLINDER DRAIN COVER
36	F84472-5		2	GASKET, CYLINDER DRAIN COVER
37	F1286		4	PAN HD. SCREW, 4 - 40 X 3/16
38	F8003		4	PLAIN WASHER
39	F93920		4	REED STOP

CONTINUED ON NEXT PAGE ➡

POWER HEAD



41630-006

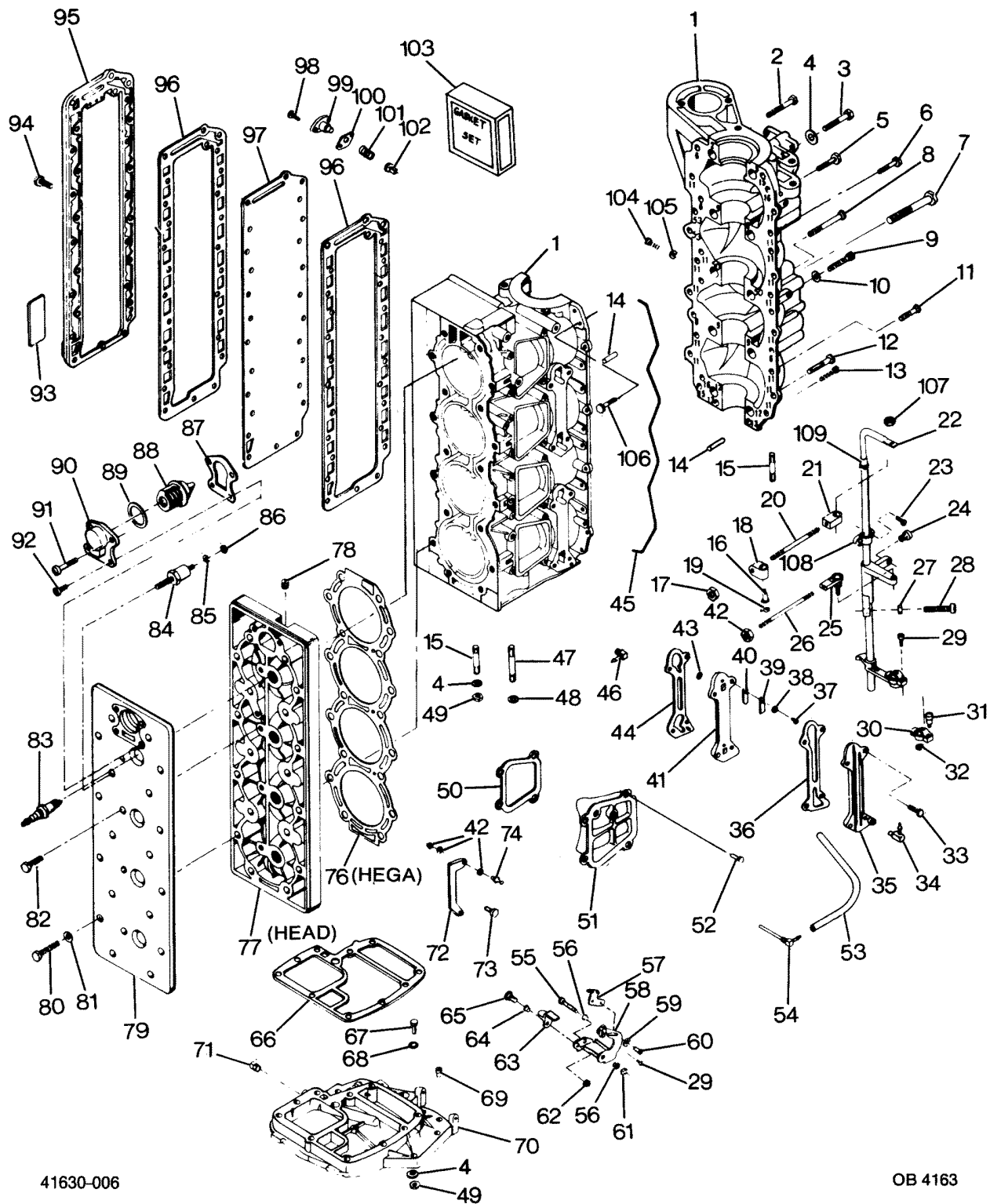
OB 4163

POWER HEAD

REF. NO.	PART NO.	SYM.	QTY.	DESCRIPTION
40	F18160-3		4	CYLINDER DRAIN REED
41	F2A476757		2	CYLINDER DRAIN REED PLATE W/ILLUS. 37, 38, 39, 40 AND 43
42	F1513		2	HEX NUT, 10 - 32
43	F93811		4	SCREEN
44	F84748-3		2	GASKET, CYL. DRAIN REED PLATE
45	F184122-1		1	SEAL, PARTING LINE
46	F84314-2		1	ELBOW
47	F85211		6	STUD
48	F8095		12	PLAIN WASHER
49	F7004		10	STOP NUT, 3/8 - 16
50	F40223		4	GASKET, TRANSFER PORT COVER
51	FA411222		3	TRANSFER PORT COVER W/ILLUS. 78 AND LITERATURE
52	F1922		9	HEX CAP SCREW, 1/4 - 20 X 5/8
53	F406754-1		1	HOSE
54	F404314		1	FITTING
55	F1885		1	HEX BOLTS. S.S., 5/16 - 18 X 4-1/4
56	F85610		2	BEARING
57	F480107-1		1	CAM STARTER INTERLOCK
58	FA480876		1	GEAR SHIFT ARM W/ILLUS. 30, 56, 62, 63, 64 AND 65
59	F2042		2	PLAIN WASHER
60	F2089		2	SLOTTED PAN HD. M. SCREW, 10 - 24 X 5/16
61	F2108		1	STOP NUT, 5/16 - 18
62	F1832		1	STOP NUT, 1/4 - 20
63	F369977-1		1	INTERLOCK ARM
64	F369610		1	BEARING
65	F369887		1	SHOULDER SCREW
66	F85279-2		1	GASKET, CYLINDER EXHAUST UPPER
67	F1869		6	HEX CAP SCREW, 3/8 - 16 X 1-1/4
68	F1703		6	LOCKWASHER
69	F40689-1		1	BEARING
70	817788A3		1	SPACER PLATE W/ILLUS. 71 ORIGINAL FORCE P/N A 404680-2
71	F2090		1	PLUG
72	FS85872-1		1	BRACKET
73	F1864		2	HEX CAP SCREW, 1/4 - 20 X 3/4
74	F98273		2	ROD END CONNECTOR STUD
75	F1804		2	STOP NUT
76	F476529-1		1	CYLINDER HEAD GASKET
77	FA631518		1	CYLINDER HEAD W/ILLUS. 78
78	F19109		1	PLUG
79	FS631995		1	COVER, CYLINDER HEAD
80	F2049		18	HEX CAP SCREW, 5/16 - 18 X 2-5/8
81	F1987		18	PLAIN WASHER

CONTINUED ON NEXT PAGE ➡

POWER HEAD



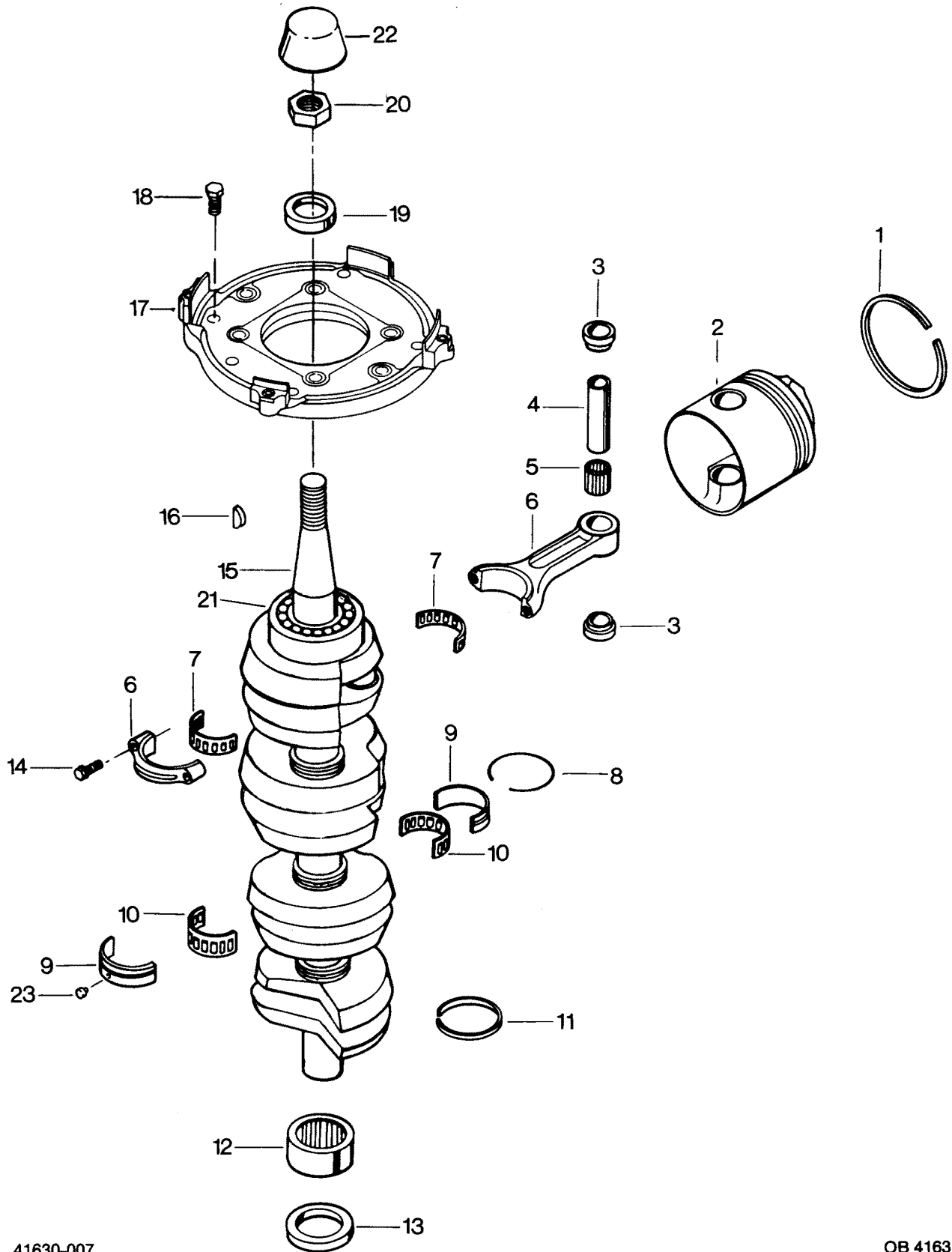
41630-006

OB 4163

POWER HEAD

REF. NO.	PART NO.	SYM.	QTY.	DESCRIPTION
82	F2008		4	HEX CAP SCREW, 1/4 - 20 X 7/8
83	33-818007--1		4	SPARK PLUG (CHAMPION UL18V) - USA
87	F476067		1	GASKET
88	F528068		1	THERMOSTAT
89	F84504		1	GROMMET (THERMOSTAT)
90	F476066-1		1	THERMOSTAT COVER
91	F1504		2	FILL HD. SCREW, 1/4 - 20 X 1-1/4
92	F1107		2	SLOTTED FILL HD. CAP SCREW, 1/4 - 20 X 3/4
93	FC529398		1	DECAL, WIRING
94	F1699		27	HEX BOLT, 1/4 - 20 X 1-1/8
95	F372152-2		1	EXHAUST PORT COVER
96	F372154-1		2	GASKET, EXHAUST PORT PLATE
97	F372151-1		1	EXHAUST PORT PLATE
98	F1950		2	HEX CAP SCREW, 10 - 24 X 5/8
99	F438066		1	BY-PASS VALVE COVER
100	F85762		1	BY-PASS VALVE COVER GASKET
101	F404268		1	BY-PASS VALVE SPRING
102	F85916-1		1	BY-PASS VALVE
103	FG1019		1	GASKET SET - INCLUDES ALL ITEMS MARKED WITH A *
-	F40223		4	TRANSFER PORT COVER GASKET
-	F84472-5		2	CYLINDER DRAIN COVER GASKET
-	F84748-3		2	CYLINDER DRAIN REED PLATE GASKET
-	F85279-2		1	CYLINDER EXHAUST UPPER GASKET
-	F85762		1	BY-PASS COVER GASKET
-	F85906		2	CARBURETOR GASKET
-	F178168-1		2	CARBURETOR ADAPTER GASKET
-	F184122-1		1	SEAL
-	F372154-1		2	EXHAUST PLATE GASKET
-	F406406		2	DEFLECTOR PLATE GASKET
-	F440906		2	CARBURETOR GASKET
-	F476067		1	THERMOSTAT COVER GASKET
-	F476529-1		1	CYLINDER HEAD GASKET
104	F2000		1	HEX CAP SCREW, 5/16 - 18 X 3/4
105	F8096		1	SPRING LOCKWASHER
106	F1532		2	HEX HD. SCREW, 1/4 - 20 X 1
107	F7009		1	LOCK NUT, #10 - 24
108	FA607689		2	BEARING TOWERSHAFT WILLUS. 23
109	F491689-1		1	BEARING TOWERSHAFT UPPER

CRANKSHAFT AND PISTON



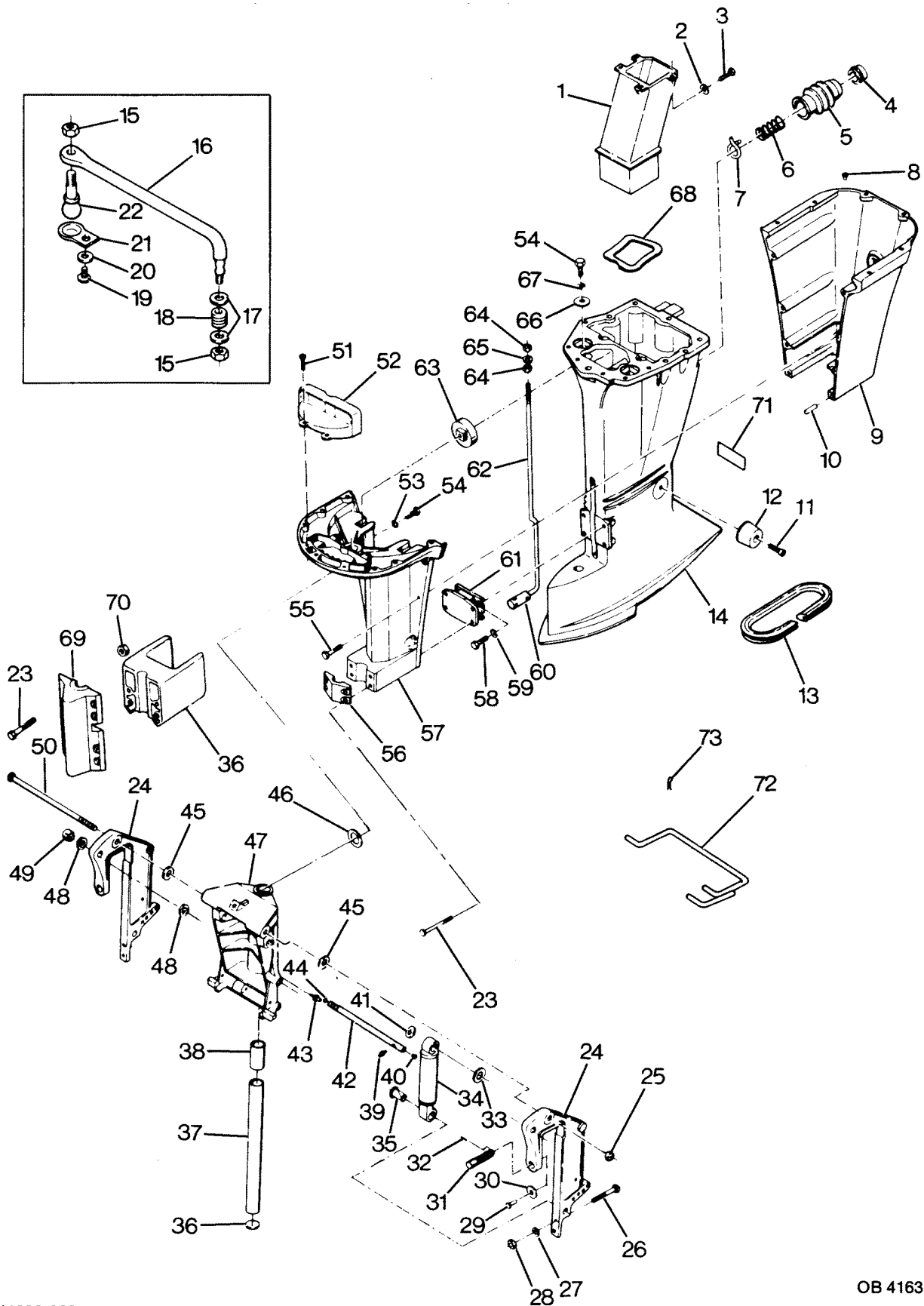
41630-007

OB 4163

CRANKSHAFT AND PISTON

REF. NO.	PART NO.	SYM.	QTY.	DESCRIPTION
1	FA335260		4	PISTON RINGS (2 PER SET) STANDARD
-	FSA335260		4	PISTON RINGS (2 PER SET) .010 OVERSIZE
-	39-818110A1		4	PISTON RINGS (2 PER SET) .030 OVERSIZE
2	700-F372015-3		4	PISTON - STANDARD
-	700-817988A2		4	PISTON .010 OVERSIZE
-	700-818111A2		4	PISTON .030 OVERSIZE
3	F335215		8	SPACER, PISTON PIN (2 PER PISTON)
4	F85017		4	PISTON PIN
5	F335217-1		4	BEARING PISTON PIN (26 PER SET)
6	600-818052A4		4	CONNECTING ROD W/CAP AND ILLUS. 14 ORIGINAL FORCE P/N S 366016-4
7	FK85228-1		4	BEARING CAGE W/ROLLER
8	F85410		3	SNAP RING
9	FA85655-1		3	CRANKSHAFT MAIN BEARING RACE W/ILLUS. 8
10	F85571		3	BEARING CAGE W/ROLLER
11	F316579		3	SEAL, CRANKCASE
12	FA523014		1	CRANKSHAFT LOWER MAIN BEARING W/ILLUS. 13
13	F523146-1		1	SEAL, CRANKSHAFT LOWER
14	F85634-2		6	CONNECTING ROD SCREW
15	FA528018		1	CRANKSHAFT W/ILLUS. 11 AND 21
16	F85498-1		1	FLYWHEEL KEY
17	F2A615144		1	CRANKSHAFT BEARING CAGE W/ILLUS. 19
18	F2081		5	HEX SOC. HD SCREW, 1/4 - 20 X 3/4
19	F523146-1		1	SEAL, CRANKSHAFT UPPER
20	F1968		1	FLYWHEEL NUT
21	F284659-2		1	CRANKSHAFT THRUST BEARING, UPPER
22	F2067		1	PLASTIC CAP
23	F85909-1		4	BEARING LOCATION PIN (PRESSED INTO BLOCK)

MOTOR LEG



41630-008

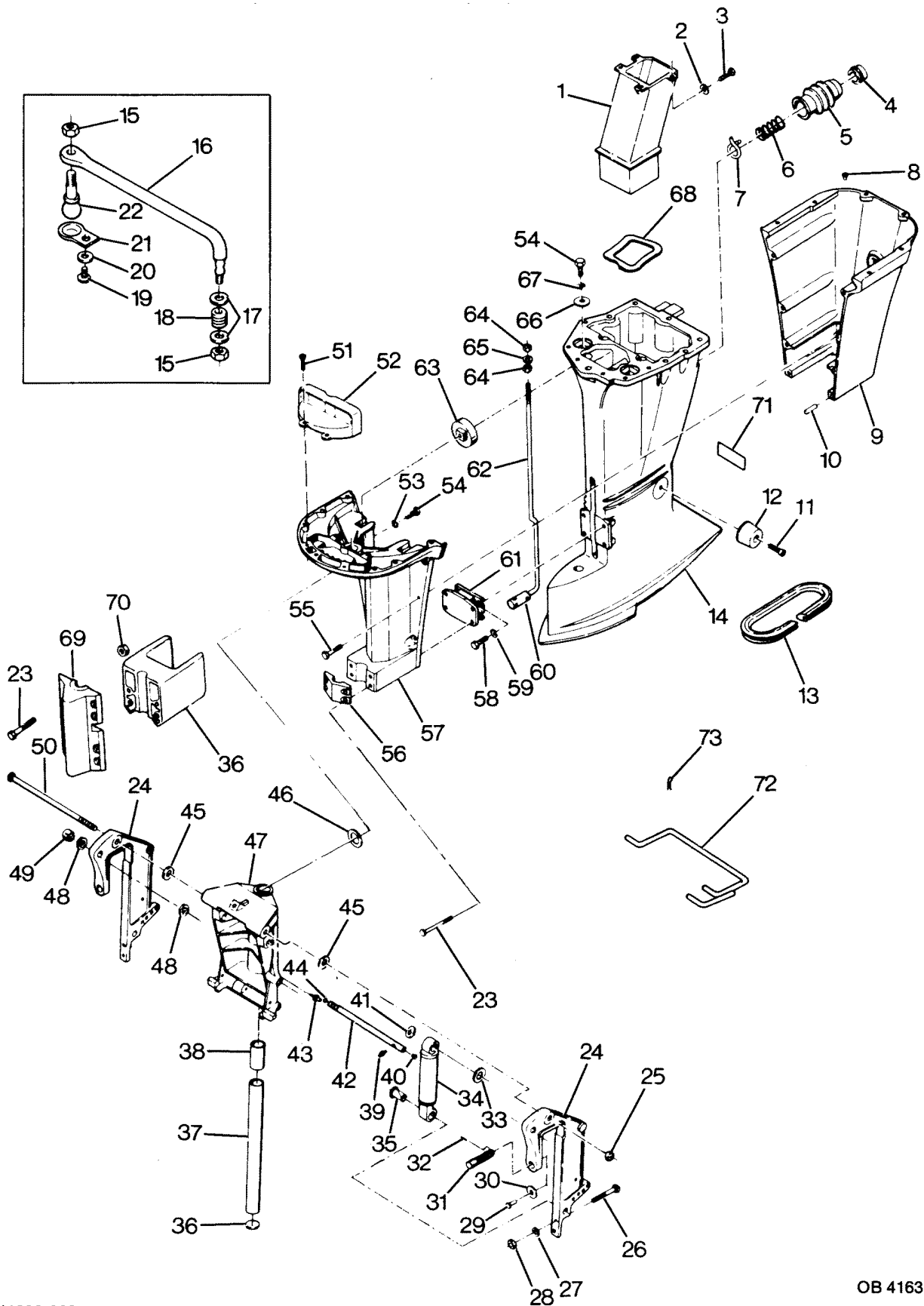
OB 4163

MOTOR LEG

REF. NO.	PART NO.	SYM.	QTY.	DESCRIPTION
1	F85660-1		1	EXHAUST TUBE
2	F8083		4	SPRING LOCKWASHER
3	F1864		4	HEX SLOT HD SCREW, 1/4 - 20 X 3/4
4	F85258		1	INSERT
5	F85130		1	BOOT IDLE EXHAUST
6	F85380		1	SPRING
7	F85772		1	CLAMP
8	F1729		2	PLUG
9	F178145-4		1	MOTOR LEG COVER REAR
10	F1664		2	SPRING PIN
11	F1263		2	HEX SOCKET HD CAP SCREWS, 5/16 - 18 X 9/16
12	F438962		2	SHOCK MOUNT LOWER REAR
13	F178323		1	SEAL, MOTOR LEG
14	F523133-2		1	MOTOR LEG (20 INCH MODELS)
-	F500133		1	MOTOR LEG (25 INCH MODELS)
15	F2093		2	STOP NUT, 3/8 - 24
17	F8038		2	PLAIN WASHER
18	F523300-1		1	SPRING
19	F1280		1	PAN HD SCREW, 8 - 32 X 1/4
20	F8080		1	SPRING LOCKWASHER
21	F523930		1	RETAINER
22	F523273		1	STEERING BALL STUD
23	F1696		8	HEX BOLT, 5/16 - 18 X 1-3/4
24	1400-817958A6		2	STERN BRACKET
25	F7012		1	STOP NUT
26	F2125		2	HEX HD SCREW, 3/8 - 16 X 3
27	F1904		2	PLAIN WASHER
28	F1346		2	HEX NUT
29	F353480		2	STUD
30	F84074		2	CLAMP SCREW FOOT
31	F474073-1		2	CLAMP SCREW
32	F8538		2	SPRING PIN
33	F1710		2	PLAIN WASHER
34	FA178962		1	SHOCK ABSORBER W/BUSHING - 178344
35	F449362		2	BEARING
36	F631707		1	COVER SHOCK MT. LOWER (25 INCH MODELS)
37	FS85019		1	KINGPIN (20 INCH MODELS)
-	FA500019		1	KINGPIN (25 INCH MODELS)
38	F438169		2	BEARING
39	F523274		1	GREASE FITTING
40	F9052		1	PLUG
41	F1711		2	SPRING BOWED WASHER
42	F511125-2		1	TUBE, STEERING SUPPORT

CONTINUED ON NEXT PAGE ➡

MOTOR LEG



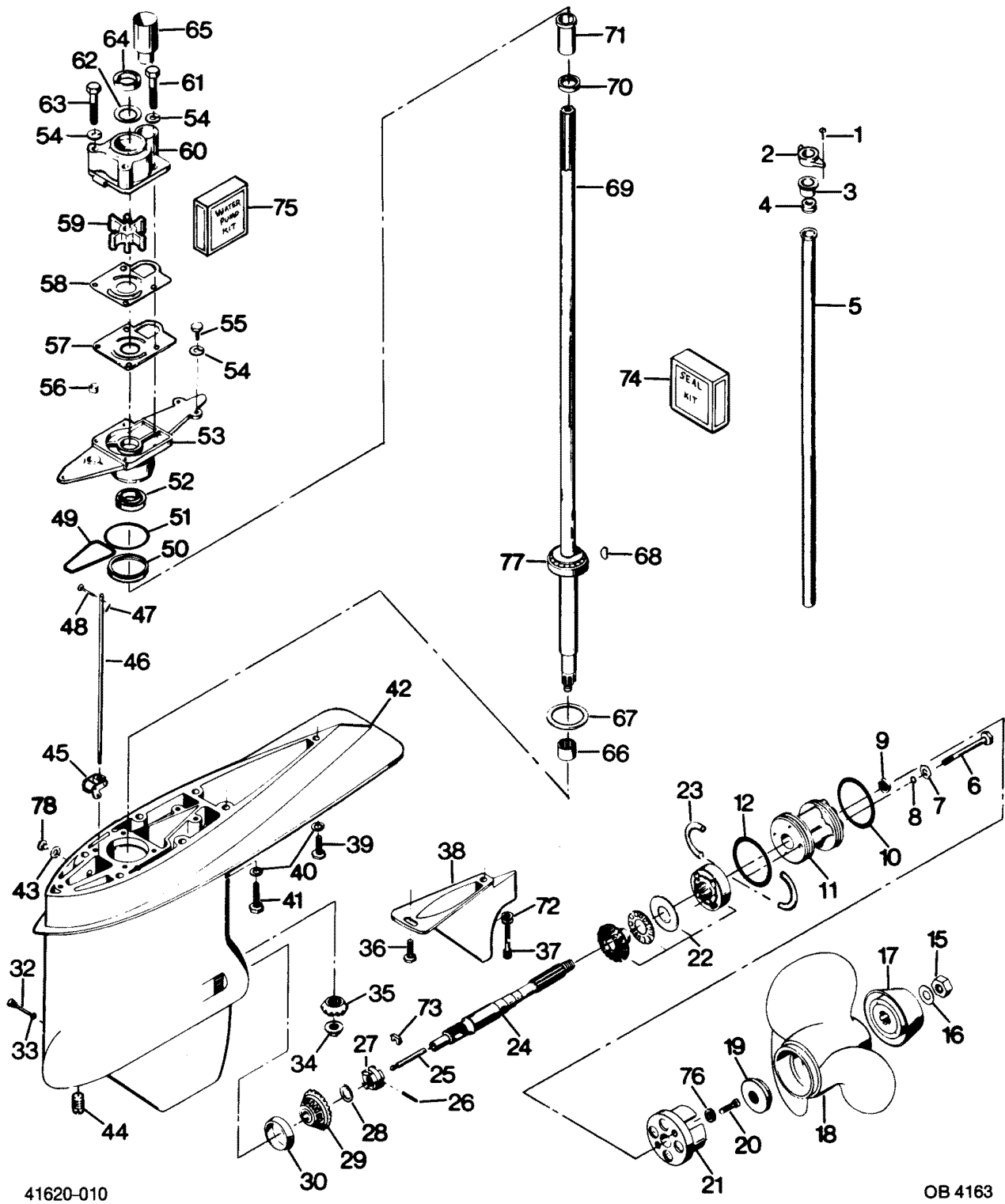
41630-008

OB 4163

MOTOR LEG

REF. NO.	PART NO.	SYM.	QTY.	DESCRIPTION
43	F213274		3	GREASE FITTING
44	F316599		1	SEAL, STEERING SUPPORT TUBE
45	F84286-1		4	FRICTION WASHER
46	F84011		1	WASHER
47	817783A5		1	SWIVEL BRACKET W/ILLUS. 38 AND 43 ORIGINAL FORCE P/N A 369072-2
48	F523280		2	NUT, STEERING SUPPORT TUBE
49	F9018		1	CAP
50	F85037-1		1	STERN BRACKET PIVOT BOLT
51	F1912		4	HEX HD SCREW, 10- 24 X 1/2
52	F85779-1		1	BAFFLE, AIR INTAKE
53	F1703		2	SPRING LOCKWASHER
54	F1871		4	HEX HD SCREW, 3/8 - 16 X 3/4
55	F2030		6	HEX HD SCREW, 1/4 - 20 X 1-1/4
56	F85606		1	KINGPIN CAP (20 INCH MODELS)
57	FA85135-4		1	LEG COVER FRONT W/ILLUS. 55
58	F1822		4	HEX BOLT, 5/16 - 18 X 7/8
59	F8096		4	SPRING LOCKWASHER
60	F85704		1	COUPLER, GEAR SHIFT ROD
61	F438346		1	SHOCK MOUNT LOWER
62	F85615-1		1	GEAR SHIFT ROD UPPER (20 INCH MODELS)
-	F500615		1	GEAR SHIFT ROD UPPER (25 INCH MODELS)
63	F85965		2	SHOCK MOUNT UPPER
64	F2108		2	LOCK NUT
65	F1987		1	PLAIN WASHER
66	FA85355-1		2	WASHER (SET OF 2 SHOCK MOUNT WASHERS) W/ILLUS. 67
67	F2014		2	PLAIN WASHER
68	F439736		1	SEAL, EXHAUST TUBE
69	F631606		1	KINGPIN CAP (25 INCH MODELS)
70	F1515		4	HEX NUT 5/16 - 18
71	F598387		1	DECAL, POWER FLOW
72	F5H179		1	TRAILERING BRACKET
73	F525629		1	PIN, COTTER

GEAR HOUSING

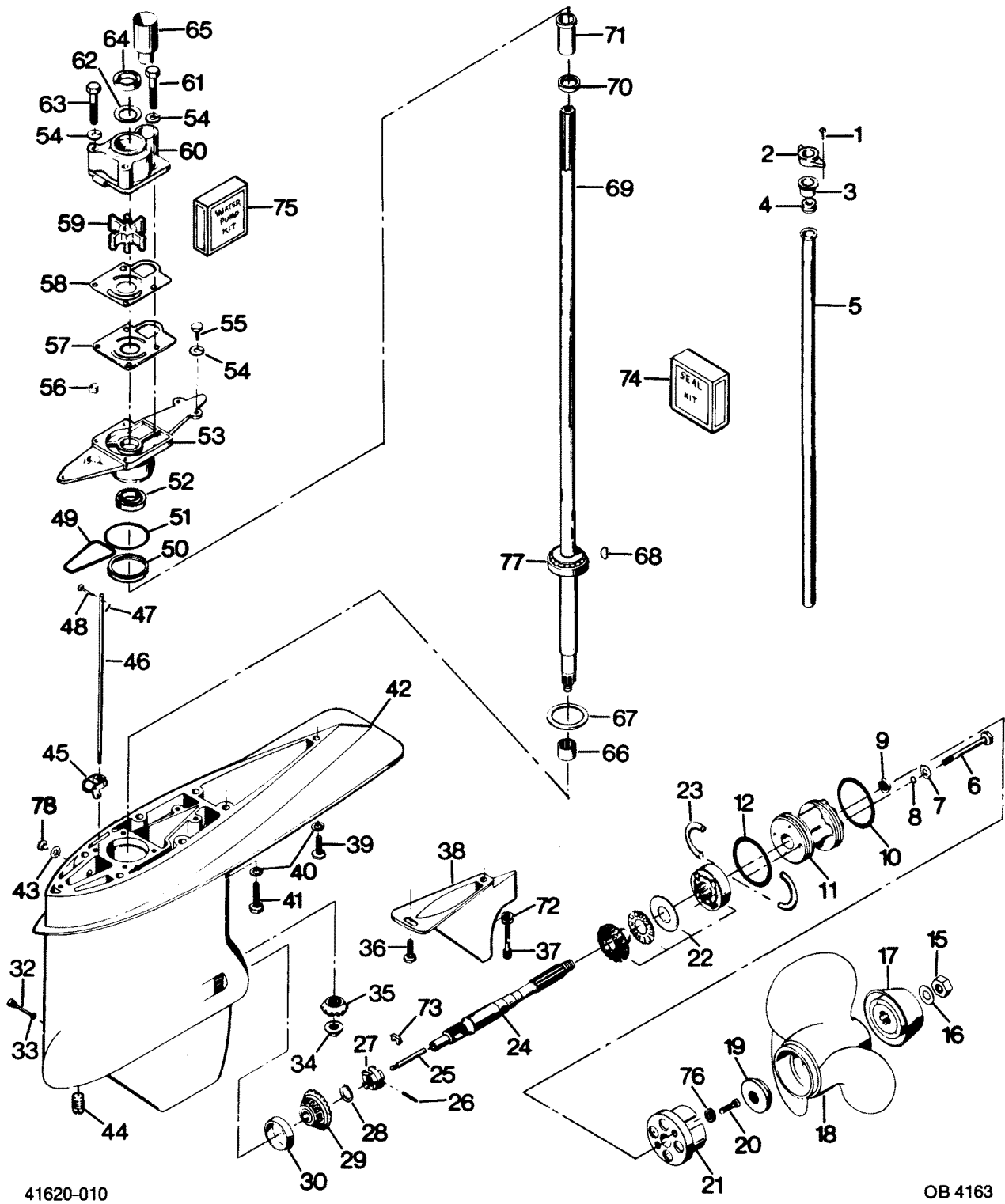


GEAR HOUSING

REF. NO.	PART NO.	SYM.	QTY.	DESCRIPTION
1	F1705		2	HEX CAP SCREW, 1/4 - 20 X 3/4 S.S.
2	F85117		1	BRACKET, WATERLINE
3	F84342		1	SEAL, INLET WATERLINE, UPPER
4	F523899		1	GROMMET, WATERLINE
5	F523244		1	INLET WATERLINE (20 INCH MODELS)
-	F500244		1	INLET WATER LINE (25 INCH MODELS)
6	F1885		4	HEX CAP SCREW, 5/16 - 18 X 4-1/4 S.S.
7	F1907		4	PLAIN WASHER S.S.
8	F50342-1		4	SEAL, BEARING CAGE BOLTS
9	F506118		1	SEAL, PROPELLER SHAFT
10	F24278		1	SEA, O-RING PROPELLER SHAFT SPOOL
11	F2A523239		1	SPOOL, PROPELLER SHAFT BEARING W/SEAL AND ILLUS. 9
12	F84305		1	SEAL, PROPELLER SHAFT BEARING SPOOL
15	F1788		1	STOP NUT
16	F1866		1	PLAIN WASHER
17	F532299		1	WASHER, PROPELLER SPLINE
18	FPS501		1	PROPELLER (14 X 13) MODEL 1253X7B
-	FPS623		1	PROPELLER (13 X 17) MODEL 1251X7B
-	FPS625		1	PROPELLER (13 X 19) MODELS 1251FTB, C1251F7B, 1258F7B, C1258F7B
-	FP665		1	PROPELLER (13 X 15 CUPPED) MODEL 1254X7B
19	F523099-1		1	SPACER, PROPELLER
20	F1112		2	FILL HD SCREW, 1/4 - 20 X 7/8
21	FA523485		1	ANTI-CORROSION ANODE W/LITERATURE
22	F2A523662		1	BEVEL GEAR REAR W/BEARING CAGE, SPACER AND BEARING
23	F523411		2	RETAINING RING
24	44-817962A2		1	PROPELLER SHAFT W/LITERATURE ORIGINAL FORCE P/N K 523098-1
25	F84871-1		1	PIN, GEAR SHIFT
26	F1713		1	SPRING PIN
27	F84521-2		1	CLUTCH
28	F1936		A/R	SPACER, BEVEL GEAR FRONT .059
-	F1937		A/R	SPACER, BEVEL GEAR FRONT .062
-	F1938		A/R	SPACER, BEVEL GEAR FRONT .065
-	F1939		A/R	SPACER, BEVEL GEAR FRONT .068
-	F1940		A/R	SPACER, BEVEL GEAR FRONT .071
-	F1941		A/R	SPACER, BEVEL GEAR FRONT .074
-	F1942		A/R	SPACER, BEVEL GEAR FRONT .077
-	F2113		A/R	SPACER, BEVEL GEAR FRONT .080
-	F2114		A/R	SPACER, BEVEL GEAR FRONT .083
-	F2115		A/R	SPACER, BEVEL GEAR FRONT .086
-	F2116		A/R	SPACER, BEVEL GEAR FRONT .089
-	F2121		A/R	SPACER, BEVEL GEAR FRONT .057

CONTINUED ON NEXT PAGE ➡

GEAR HOUSING

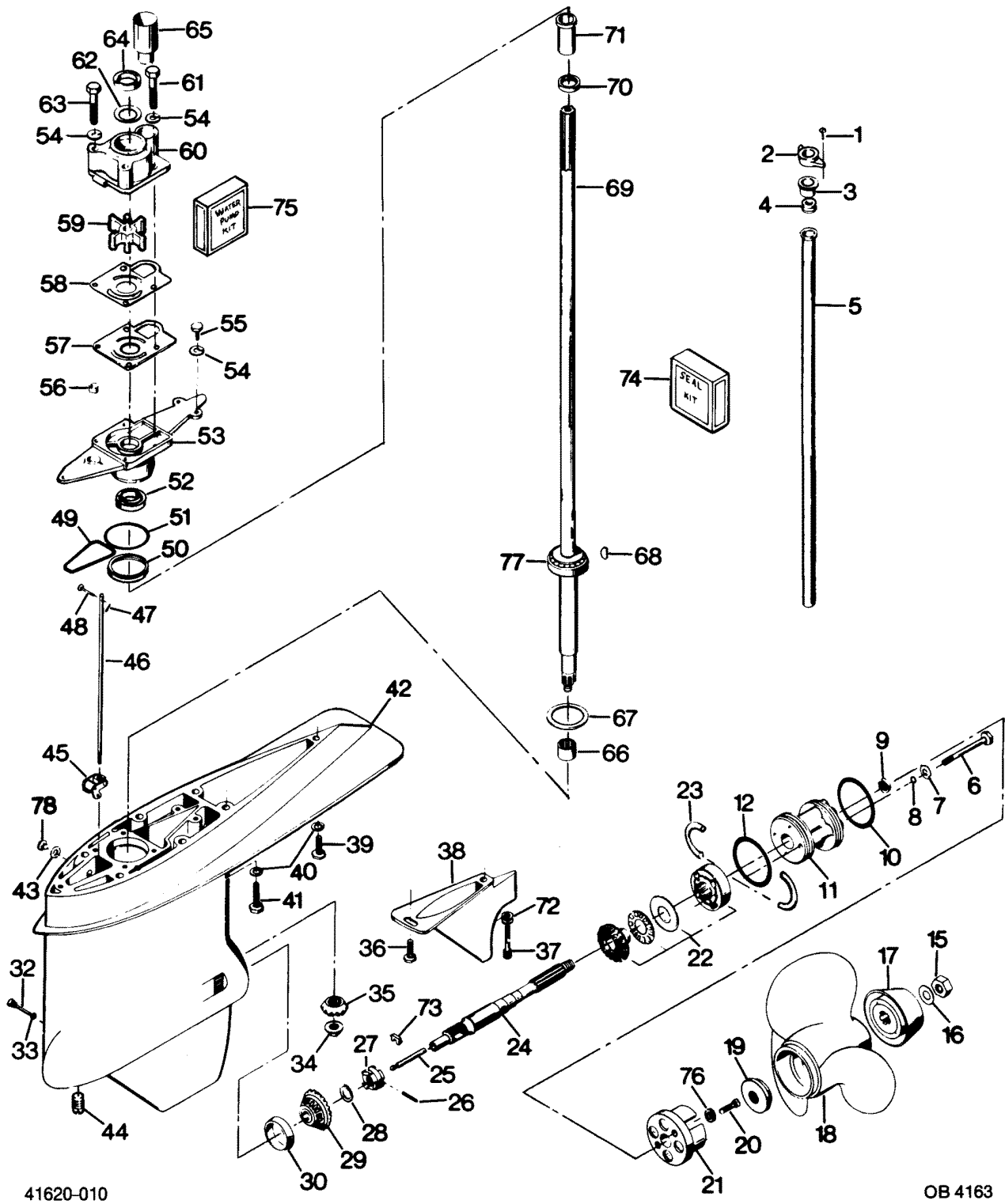


GEAR HOUSING

REF. NO.	PART NO.	SYM.	QTY.	DESCRIPTION
-	F2122		A/R	SPACER, BEVEL GEAR FRONT .054
29	43-818068A2		1	BEVEL GEAR FRONT W/BEARING
30	F523813		1	BEARING CUP
32	F498891		1	PIN, GEAR SHIFT ARM
33	F498618		1	SEAL
34	F523188		1	NUT, BEVEL PINION RETAINING
35	43-817854A2		1	BEVEL PINION GEAR W/ILLUS. 50 AND SHIMS ORIGINAL FORCE P/N A 523266-2
36	F438930		1	RETAINER, SNOUT
37	F1994		1	HEX SOCKET HD CAP SCREW, 5/16 - 18 X 1
38	F523116-1		1	EXHAUST SNOUT
39	F1858		1	HEX CAP SCREW, 5/16 - 18 X 1
40	F8096		7	SPRING LOCKWASHER
41	F1491		6	HEX HD SCREW, 5/16 - 18 X 3/4
42	FA523054		1	GEAR HOUSING W/DRIVESHAFT BEARING LOWER, ILLUS. 30, 31, 43 AND 44
43	F8077		2	WASHER, GEAR HOUSING PLUG
44	FA523109		1	PLUG, GEAR HOUSING
45	FA84621-1		1	COUPLING, GEAR SHIFT ARM W/BUSHING
46	F523705		1	GEAR SHIFT ROD LOWER
47	F1015		1	COTTER PIN
48	F85372		1	PIN, GEAR SHIFT ROD LOWER
49	F523555		1	SEAL, O-RING, GEAR HOUSING COVER
50	F523961		1	CRUSH RING
51	F74305		1	SEAL, DRIVESHAFT BEARING CAGE
52	F506118		1	SEAL, DRIVESHAFT
53	F2A550706		1	GEAR HOUSING COVER W/ILLUS. 52
54	F8083		7	SPRING LOCKWASHER
55	F1999		3	HEX CAP SCREW, 1/4 - 20 X 7/8 S.S.
56	F338618-1		1	SEAL, GEAR SHIFT ROD
57	F523031		1	GASKET, WATER PUMP
58	F523562		1	WATER PUMP BACK PLATE
59	F523065-1		1	WATER PUMP IMPELLER
60	46-817853A1		1	WATER PUMP BODY W/ILLUS. 62, 64 AND 65 ORIGINAL FORCE P/N A 523060-1
61	F1990		2	HEX CAP SCREW, 1/4 - 20 X 1-5/8 S.S.
62	F480388		1	DISC, WATER PUMP LOCATING
63	F1425		2	HEX CAP SCREW, 1/4 - 20 X 2-5/8 S.S.
64	F351307		1	SEAL, WATER PUMP
65	FA523735		1	SEAL, INLET WATERLINE, LOWER W/LITERATURE
66	F523057		1	BEARING, DRIVESHAFT LOWER
67	F9106		A/R	SHIM, DRIVESHAFT BEARING, UPPER .003 - BRASS
-	F9095		A/R	SHIM, DRIVESHAFT BEARING, UPPER .005 - SILVER
-	F9097		A/R	SHIM, DRIVESHAFT BEARING, UPPER .010 - BLACK

CONTINUED ON NEXT PAGE ➡

GEAR HOUSING



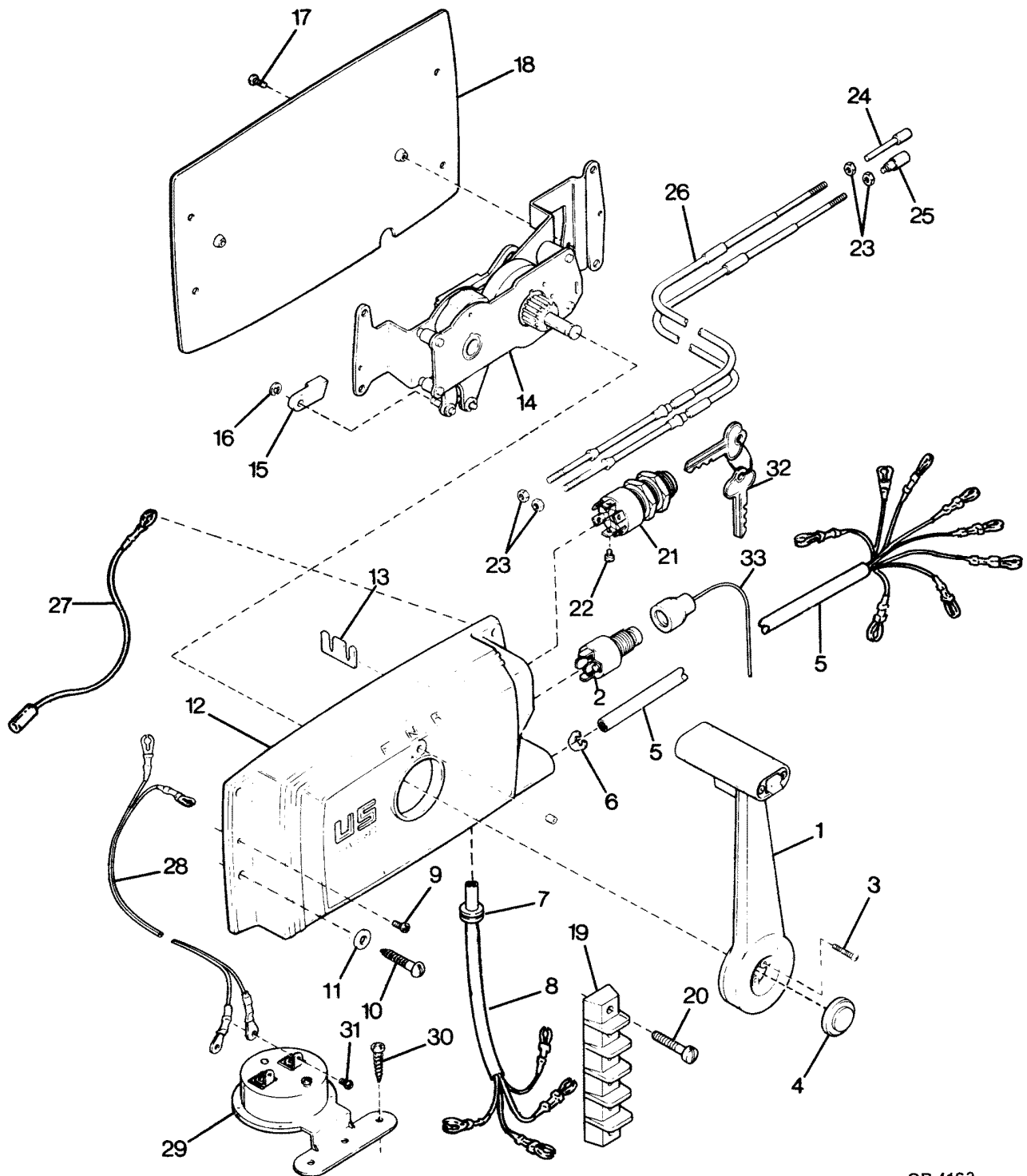
41620-010

OB 4163

GEAR HOUSING

REF. NO.	PART NO.	SYM.	QTY.	DESCRIPTION
68	F523498		1	DRIVE KEY, WATER PUMP
69	45-817967A6		1	DRIVESHAFT W/BEARING, ILLUS. 50, 67 AND LITERATURE ORIGINAL FORCE P/N K 616128-2
-	45-817961A6		1	DRIVESHAFT W/BEARING, ILLUS. 50, 57 AND LITERATURE (25 INCH MODELS) ORIGINAL FORCE P/N K 500128-4
70	F438271		1	RETAINER, CRANKSHAFT SPLINE SEAL
71	F438129		1	SEAL, DRIVESHAFT SPLINE
72	F1856		2	PLAIN WASHER
73	F90619-2		1	YOKE
74	FK1063-2		1	SEAL KIT INCLUDES ITEMS MARKED WITH A *
-	F50342-1		4	BEARING CAGE BOLT SEAL
-	F506118		1	PROPELLER SHAFT SEAL
-	F24278		1	PROPELLER SHAFT SPOOL SEAL
-	F84305		1	PROPELLER SHAFT SPOOLS SEAL
-	F498618		1	GEAR SHIFT ARM PIN SEAL
-	F8077		3	WASHER
-	F523555		1	GEAR HOUSING COVER SEAL
-	F74305		1	GEAR HOUSING SEAL
-	F84307-1		1	DRIVE SHAFT SEAL
-	F338618-1		1	GEAR SHIFT ROD SEAL
75	FK1069		1	WATER PUMP KIT INCLUDES ITEMS MARKED WITH A **
-	F1425		2	HEX CAP SCREW, 1/4 - 20 X 5/8 S.S.
-	F1990		2	HEX CAP SCREW, 1/4 - 20 X 1-5/8 S.S.
-	F8083		4	SPRING LOCKWASHER
-	F523031		1	GASKET, WATER PUMP
-	F523065-1		1	IMPELLER
-	F523498		1	KEY
-	F523562		1	PLATE, WATER PUMP
-	46-817853A1		1	WATER PUMP W/ILLUS. 62, 64 AND 65 ORIGINAL FORCE P/N A 523060-1
76	F8083		2	LOCKWASHER
77	F522056		1	BEARING
-	1600-819196A3		1	GEAR HOUSING COMPLETE. INCLUDES ALL ITEMS MARKED WITH AN ASTERISK (*). (20 INCH MODELS) ORIGINAL FORCE P/N C 664054-1
-	1600-819197A3		0	GEAR HOUSING COMPLETE. INCLUDES ALL ITEMS MARKED WITH AN ASTERISK (*). (25 INCH MODELS) ORIGINAL FORCE P/N C 660054-2
78	F50109		2	PLUG

REMOTE CONTROL



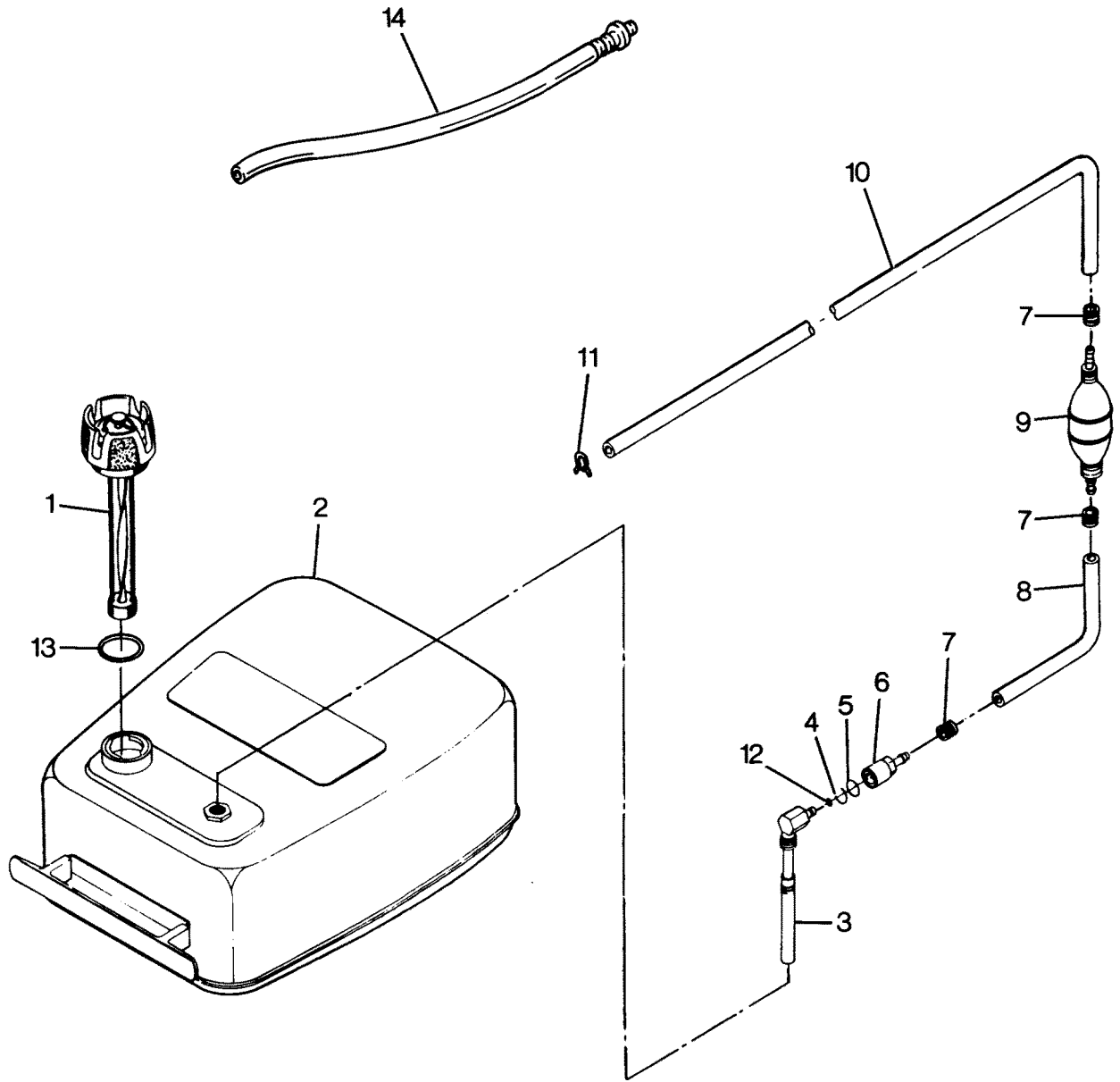
41620-012

OB 4163

REMOTE CONTROL

REF. NO.	PART NO.	SYM.	QTY.	DESCRIPTION
1	F660611		1	LEVER W/TRIM SWITCH
2	F660602		1	SWITCH (EMERGENCY KILL)
3	F660165		4	SCREW (LEVER TO ACTUATOR)
4	F660332		1	PLUG (WARM-UP BUTTON)
5	F660843		1	CALBE (15-1/2' REMOTE ELECT.)
-	F663843		-	CABLE (19' REMOTE ELECT. - 10 WIRE)
-	F664843		-	CABLE (22' REMOTE ELECT. - 10 WIRE)
-	F591843		-	CABLE (25' REMOTE ELECT. - 10 WIRE)
-	F5H193		-	CABLE (7' EXTENSION FOR 10 WIRE REMOTE ELECTRIC CABLE)
6	F660446		1	CLAMP (REMOTE ELECT. CABLE)
7	F660504		1	GROMMET (REMOTE ACCESSORY CABLE)
8	F660353		1	CALBE ACCESSORY
9	F660480		2	SCREW (COVER TO ACTUATOR)
10	F660732		4	SCREW (CONTROL MOUNTING)
11	F660595		4	WASHER (CONTROL MTG. SCREWS)
12	F660995		1	COVER (ASSEMBLY - REMOTE CONTROL)
13	F660642		1	RETAINER (REMOTE CABLE)
14	F660327		1	ACTUATOR (ASSEMBLY - REMOTE CONTROL)
15	F660141		2	CONNECTOR (CABLE - REMOTE CONTROL)
16	F660411		2	RING (RETAINING)
17	F660751		2	SCREW (PLATE TO ACTUATOR)
18	F660911		1	PLATE (REMOTE CONTROL)
19	F660497		1	BLOCK (TERMINAL)
20	F1741		2	SCREW (TERMINAL BLOCK)
21	F5H077		1	SWITCH (ACCESSORY ITEM) W/ITEMS 22 AND 32
22	F1280		6	SCREW (IGN. SWITCH WIRE TERMINAL)
23	F1513		4	STOP NUTS (CABLE END)
24	F654976		1	CONNECTOR (THROTTLE)
25	F58685-2		1	CONNECTOR (SHIFT)
26	F5H190/___		1	REMOTE CONTROL CABLE (SPECIFY LENGTH - X)
27	F660664		1	WIRE (IGN. SWITCH TO ACC. TERMINAL BLOCK)
28	F404841		1	CABLE, OVERHEAT BUZZER
29	F5H073		1	BUZZER, OVERHEAT (ACCESSORY ITEM)
30	F1741		2	SCREW, PAN HD., 8-3/4
31	F1645		8	SCREW. RD. HD., SELF-TAPPING, 6-32 X 1/4
32	817782--1		1	IGNITION KEY - NO LETTER OR STAMPED A
-	817883--1		1	IGNITION KEY - STAMPED B
-	817891--1		1	IGNITION KEY - STAMPED C
-	817928--1		1	IGNITION KEY - STAMPED D
-	817929--1		1	IGNITION KEY - STAMPED E
33	F660329		1	LANYARD, KILL SWITCH
-	F5H198		-	REMOTE CONTROL COMPLETE - WIRE FOR POWER TRIM

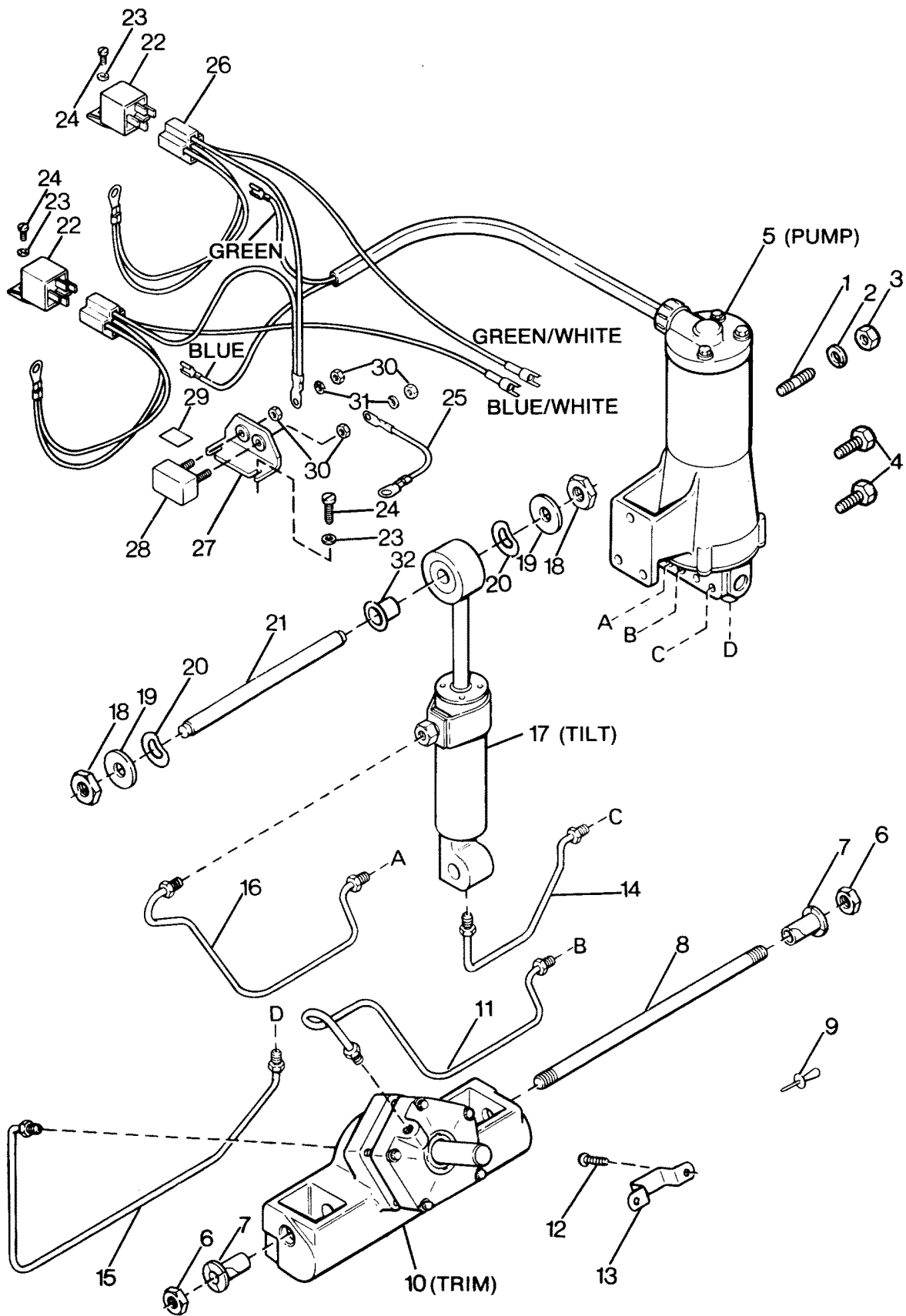
FUEL TANK AND LINE



FUEL TANK AND LINE

REF. NO.	PART NO.	SYM.	QTY.	DESCRIPTION
1	F409251-1		1	GAUGE CAP
2	F5H026-1		1	FUEL TANK (ACCESSORY ITEM) W/ILLUS. 1 AND 3
3	F485755-1		1	FUEL TANKER ADAPTER
4	F17816		1	SEAL, FUEL LINE COUPLER (LARGE)
5	F17815		1	SEAL, FUEL LINE COUPLER (SMALL)
6	F197787-3		1	FUEL LINE COUPLER
7	F298788		3	FERRULE
8	FA84754-1		1	FUEL LINE SHORT W/FERRULES
9	89396A38		1	PRIME BULB
10	32-817738A1		1	FUEL LINE LONG W/ILLUS. 7 AND 11 ORIGINAL FORCE P/N A 197752-1
11	F97772		1	FUEL LINE CLAMP
12	F17817		1	SEAL, FUEL TANK ADAPTER
13	F17818		1	GASKET
14	FA612754		1	FUEL LINE, SHORT (BAYLINER MODELS)
-	FS409752		1	FUEL LINE COMPLETE (FORCE MODELS). INCLUDES ALL ITEMS MARKED WITH AN ASTERISK (*).
-	FA630752		1	FUEL LINE COMPLETE (BAYLINER MODELS.) INCLUDES ALL ITEMS MARKED WITH AN ASTERISK (*).

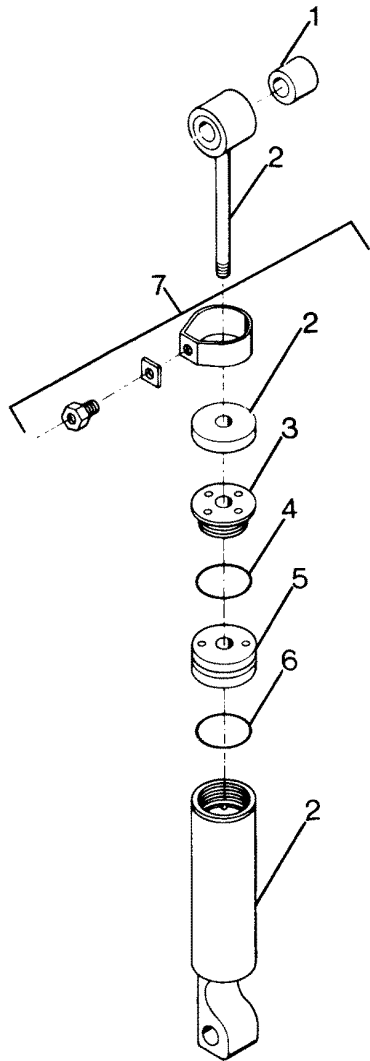
POWER TRIM UNIT



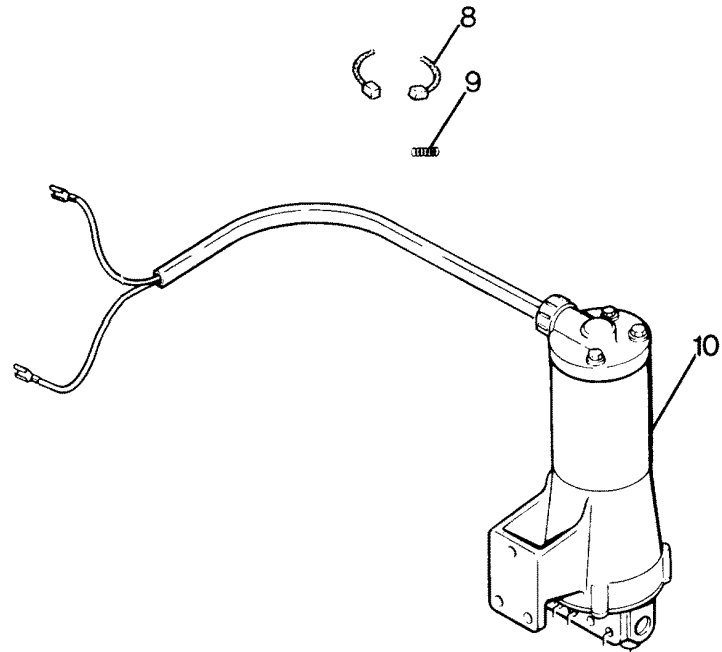
POWER TRIM UNIT

REF. NO.	PART NO.	SYM.	QTY.	DESCRIPTION
1	F660273		1	STUD
2	F8096		1	WASHER, 5/16 LOCK
3	F1515		1	NUT, 5/16-18 HEX
4	F1822		2	SCREW, 5/16-18 X 7/8 HEX
5	F660541		1	PUMP MOTOR ASSEMBLY
6	F7053		2	NUT, 5/8-18 STOP
7	F449362		2	BEARING, LOWER SHAFT
8	F449632		1	SHAFT, TRIM MOUNT
9	F1966		1	PLUG, PLASTIC
10	F2A449545		1	TRIM CYLINDER COMPLETE
11	F660254		1	LINE, UPPER HYDRAULIC TRIM CYLINDER
12	F1734		2	SCREW, 1/4-20 X 1/2 W/SPRING LOCKWASHER
13	F449354		1	BRACKET, THRUST
14	F660754		1	LINE, LOWER HYDRAULIC TILT CYLINDER
15	F660253		1	LINE, LOWER HYDRAULIC TRIM CYLINDER
16	F660758		1	LINE, UPPER HYDRAULIC TILT CYLINDER
17	FS654381		1	TILT CYLINDER COMPLETE
18	F1931		2	NUT, 1/2-20 STOP
19	F1710		2	WASHER, PLAIN
20	F1711		2	WASHER, BOWED SPRING
21	F449889		1	SHAFT, UPPER SHOCK
22	F660917		2	RELAY, POWER TRIM
23	F8011		4	WASHER, #10
24	F1760		4	SCREW, #10-24 X 3/8 PAN HM
25	F640583-1		1	WIRE, RED
26	FA663744		1	WIRING HARNESS
27	F91446-1		1	BRACKET
28	F510460		1	BREAKER, CIRCUIT
29	F510374-1		1	DECAL, CIRCUIT BREAKER
30	F1513		4	NUT, #10-32 HEX
31	F1975		2	WASHER, #10 SPRING LOCK
32	F178344		2	BUSHING, SHOCK ABSORBER
-	F5H196		-	POWER TRIM UNIT COMPLETE

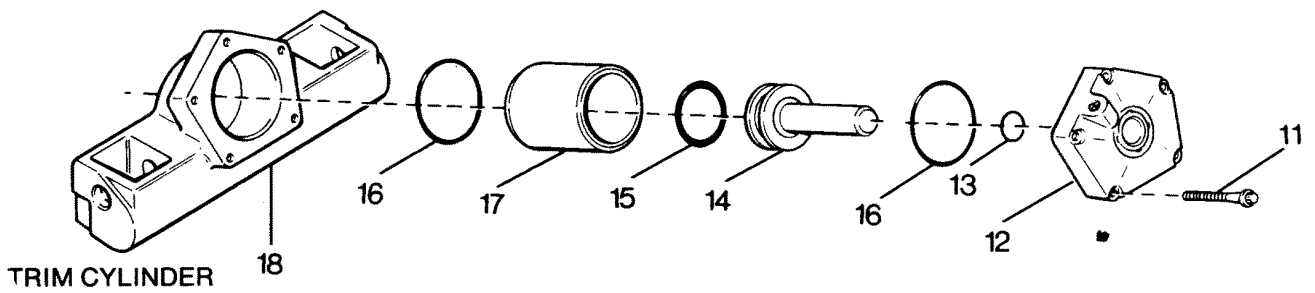
PARTS BREAKDOWN TILT CYLINDER, TRIM CYLINDER, MOTOR & PUMP



TILT CYLINDER



MOTOR & PUMP



TRIM CYLINDER

PARTS BREAKDOWN TILT CYLINDER, TRIM CYLINDER, MOTOR & PUMP

REF. NO.	PART NO.	SYM.	QTY.	DESCRIPTION
1	F178344		1	BUSHING
3	FA654055		1	HEAD ASSEMBLY
4	F654618		1	"O" RING
5	FA654015		1	PISTON ASSEMBLY
6	FA17561-1		6	"O" RING
7	F2A654983		1	CYLINDER BEND ASSEMBLY
8	F17611		1	BRUSH SET
9	F17500		1	SPRING SET, BRUSH
10			-	ORDER MOTOR AND PUMP COMPLETE, P/N: 660541
11	F1959		5	SCREW, 1/4-20 X 1-3/4, SS
12	817802A3		1	COVER
13	F449342		1	SEAL, PISTON SHAFT
14	FA449015		1	PISTON
15	F449278		1	PISTON SEAL
16	F40278		1	SEAL, CYLINDER
17	F449010		1	CYLINDER
18	F449545-2		1	CYLINDER HOUSING

SPECIAL TOOLS - TUNE-UP

REF. NO.	PART NO.	SYM.	QTY.	DESCRIPTION
-	FTA2937-1		0	TIMING TOOL TO ADJUST TIMING POINTER.
-	FT8978		0	TIMING LIGHT FOR ADJUSTING IGNITION TIMING.
-	FT8948-1		0	PULLER TO REMOVE FLYWHEEL.

SPECIAL TOOLS - POWER HEAD

REF. NO.	PART NO.	SYM.	QTY.	DESCRIPTION
-	FT2998		0	TORQUE WRENCH (0 - 100 LBS./FT.) TO TORQUE FLYWHEEL NUT.
-	FT2999		0	TORQUE WRENCH (0 - 600 LBS./FT.) TO TORQUE ALL FASTENERS.
-	FT2991		0	CARBON BRUSH TO REMOVE CARBON DEPOSITS FROM POWER HEAD.
-	FT8914		0	SEAL REMOVER TO REMOVE UPPER CRANKSHAFT BEARING CAGE SEAL.
-	FT8903		0	SEAL INSTALLER TO INSTALL UPPER CRANKSHAFT BEARING CAGE SEAL.
-	FT8907		0	DRIVER HANDLE USED WITH T 8903.
-	FT8925		0	SEAL INSTALLER TO INSTALL LOWER CRANKSHAFT SEAL.
-	FT2953		0	SOCKET TO TORQUE CONNECTING ROD SCREWS.
-	FT2990		0	PISTON PIN TOOL TO REMOVE AND INSTALL PISTON PINS.
-	FT2996		0	RING COMPRESSOR TO INSTALL PISTONS IN CYLINDER.
-	FT8926		0	RING EXPANDER TO INSTALL PISTON RINGS.
-	FT1082		0	SNAP RING PLIER TO REMOVE AND INSTALL DISTRIBUTOR RETAINING RING.
-	FT8933		0	LIFTING HOOK TO LIFT ENGINE.
-	FT8900		0	HOSE CLAMP PLIERS TO REMOVE FUEL LINE CLAMP.

SPECIAL TOOLS - GEAR HOUSING

REF. NO.	PART NO.	SYM.	QTY.	DESCRIPTION
-	FT8948-1		0	PULLER TO REMOVE PROPELLER SHAFT SPOOL FROM GEAR HOUSING.
-	FT11209		0	BEARING GUIDE SET TO REMOVE/INSTALL FORWARD BEARING CUP.
-	FT8918		0	BEARING GUIDE SET TO BE USED WITH T11209 BEARING GUIDE SET.
-	FT11207		0	BEARING CUP REMOVER TO REMOVE FORWARD BEARING CUP IN GEAR HOUSING.
-	FT11205		0	BEARING INSTALLER/REMOVER TO REMOVE AND INSTALL LOWER DRIVESHAFT BEARING.
-	FT11204		0	BEARING CUP INSTALLER TO INSTALL FORWARD BEARING CUP IN GEAR HOUSING.
-	FT8930-1		0	FEELER GAUGE SET TO USE IN SHIMMING LOWER UNIT.
-	FT8957		0	SEAL INSTALLER TO INSTALL SHIFT ROD SEAL.
-	FT8985		0	SEAL INSTALLER TO INSTALL PROPELLER SHAFT SEAL IN SPOOL.
-	FT8925		0	SEAL INSTALLER TO INSTALL DRIVESHAFT SEAL IN GEAR HOUSING COVER.
-	FT3012		0	SEAL INSTALLER TO INSTALL DRIVESHAFT SEAL IN WATER PUMP.
-	FT8997		0	SHIM TOOL TO SHIM LOWER UNIT.
-	FT8901		0	INDICATOR HOLDER USED IN CONJUNCTION WITH T 8997.
-	FT8902		0	DIAL INDICATOR USED IN CONJUNCTION WITH T 8997.
-	FT8907		0	DRIVER HANDLE USED WITH T 11204, T 11205, T 11209.
-	FT8919		0	SPRING PIN PUNCH TO REMOVE CLUTCH SPRING PIN.
-	FT7848		0	TORQUE ADAPTER TO HOLD DRIVESHAFT SPLINE WHILE TORQUING.

SPECIAL TOOLS - TEST EQUIPMENT

REF. NO.	PART NO.	SYM.	QTY.	DESCRIPTION
-	FT2951		0	CIRCUIT TRACER TO TROUBLESHOOT ELECTRICAL SYSTEM.
-	FTK8999		0	TEST WHEEL TO TEST MOTOR IN TEST TANK. ORIGINAL FORCE P/N TA 8999
-	FT8950		0	LEAKAGE TESTER TO TEST LOWER UNIT SEALS FOR LEAKAGE.
-	FT11260		0	SPARK TESTER TO TEST OUTPUT OF IGNITION SYSTEM.
-	FT2938-1		0	CONTINUITY TESTER TO TEST CIRCUITS FOR CONTINUITY.
-	FT11259		0	MULTIMETER TO TEST ELECTRICAL COMPONENTS.

SPECIAL TOOLS - LUBRICANTS AND SEALANTS

REF. NO.	PART NO.	SYM.	QTY.	DESCRIPTION
-	FT2961		0	LUBRICANT - RYKON GREASE #2EP
-	FT2987-1		0	LUBRICANT - ANTI-SEIZE
-	FT8969		0	LUBRICANT - 7 OZ. LPS-1 LUBRICANT
-	FT8955		0	SEALANT - 5 OZ. EC-750 INDUSTRIAL SEALANT
-	FT8983		0	SEALANT - 3 OZ. RTV SEALANT FORM IN PLACE GASKETS
-	FT8936-1		0	SEALANT - 2 CC LOCTITE RETAINING COMPOUND #75
-	FT2962-2		0	SEALANT - 50 CC LOCTITE H, NON-HARDENING GRADE
-	FT2963-2		0	SEALANT - 2 OZ. LOCTITE 271
-	FT8935		0	SEALANT PRIMER LOC QUIC T

ACCESSORIES

REF. NO.	PART NO.	SYM.	QTY.	DESCRIPTION
-	F5H173		0	FLUSHING ADAPTER PERMITS FRESH WATER FLUSHING OF WATER PASSAGES WITH STANDARD GARDEN HOSE.
-	F5H198		0	REMOTE CONTROL - SURFACE MOUNT PERMITS REMOTE CONTROL OF THROTTLE AND GEAR SHIFT FROM STARBOARD SIDE OF BOAT. INCLUDES HANDLE MOUNTED TURN SWITCH.
-	F5H080		0	TWIN REMOTE CONTROL BOX PERMITS REMOTE CONTROL OF THROTTLE AND GEAR SHIFT - TWO ENGINES. CONSOLE MOUNTED.
-	F5H190/___		0	REMOTE CONTROL CABLES CONNECTS REMOTE CONTROL BOX TO THROTTLE AND GEAR SHIFT ON ENGINE. AVAILABLE IN 6 THROUGH 26 FOOT LENGTHS.
-	F5H108		0	STEERING CONNECTOR CLEVIS TYPE FOR BOAT MOUNTED STEERING AND NON-THREADED CABLE END.
-	F5H094		0	STEERING LINK KIT CONNECTS STEERING CABLE TO ENGINE WHEN USING ENGINE MOUNTED STEERING SYSTEM.
-	F5H018		0	DUAL STEERING CONNECTOR PERMITS DUAL ENGINE INSTALLATIONS.
-	F5H019		0	ANTI-CORROSION KIT ELECTRICAL KIT FOR MOUNTING ON BOAT (12V) TO REDUCE CORROSION.
-	F5H025		0	ANTI-CORROSION SACRIFICIAL ANODE KIT USED TO REDUCE CORROSION.
-	F5H043		0	OVERHEAT BUZZER SOUNDS WARNING BUZZER IF ENGINE OVERHEATS.
-	F5H161		0	POWER TRIM INDICATOR INDICATES ENGINE TRIM ANGLE.
-	F5H044		0	TILT STOP KIT LIMITS TILTING ANGLE.
-	F5H068		0	RFI SUPPRESSION KIT PROVIDES RADIO NOISE SUPPRESSION.
-	F5H151		0	SHOCK ABSORBER KIT TO PROVIDE SHOCK PROTECTION WHEN HITTING UNDERWATER OBJECT.
-	F5H081		0	BATTERY CABLE LONGER LENGTH - 15 FEET.
-	F5H157		0	VOLTMETER - FLUSH MOUNT INDICATES BATTERY CONDITION.
-	F5H021		0	EXTENSION CABLE FOR LENGTHENING BATTERY CABLE 6-1/2 FEET.
-	F5H041		0	BATTERY TERMINAL KIT FOR POSITIVE AND NEGATIVE BATTERY POSTS.
-	F5H037		0	CIGAR LIGHTER FOR USE AS CONVENIENCE OUTLET.
-	5H158		0	FUEL GAUGE FLUSH MOUNT MONITORS FUEL SUPPLY.
-	5H145		0	HYDRAULIC TILT HYDRAULIC UNIT TO RAISE AND LOWER THE LOWER UNIT WHEN BEACHING OR TRAILERING BOAT.
-	F5H159		0	HOURLY METER RECORDS ENGINE RUNNING TIME.
-	F5H077		0	IGNITION KEY SWITCH SHORT BARREL WITH KEYS.
-	F5H078		0	IGNITION KEY SWITCH LONG BARREL WITH KEYS.
-	F5H028		0	SENDING UNIT, FUEL TANK FOR USE WITH 5H158 FUEL GAUGE.

CONTINUED ON NEXT PAGE ➡

ACCESSORIES

REF. NO.	PART NO.	SYM.	QTY.	DESCRIPTION
-	F5H156		0	TEMPERATURE GAUGE FLUSH MOUNT MONITORS ENGINE TEMPERATURE. DO NOT USE TEMPERATURE GAUGE AND HEAT LAMP IN SAME INSTALLATION.
-	F5H167		0	TACHOMETER FLUSH MOUNT MONITORS ENGINE R.P.M. TO PROVIDE CHECK OF ENGINE PERFORMANCE.
-	F5H155		0	SPEEDOMETER FLUSH MOUNT MONITORS BOAT SPEED (10 - 65 M.P.H.)
-	F5H154		0	SPEEDOMETER FLUSH MOUNT MONITORS BOAT SPEED (10 - 50 M.P.H.)
-	F5H115		0	TRAILERING TILT LOCK SECURES ENGINE IN HALF TILT POSITION FOR TRAILERING (WITHOUT TRIM AND TILT).
-	F5H179		0	TRAILERING TILT LOCK SECURES ENGINE IN HALF TILT POSITION FOR TRAILERING (WITH TRIM AND TILT).
-	F5H030		0	SWITCH KIT - RUNNING LIGHTS DASH MOUNTED TOGGLE SWITCH.
-	F5H031		0	SWITCH KIT - SPOT LIGHT DASH MOUNTED TOGGLE SWITCH.
-	F5H032		0	SWITCH KIT - WIPER DASH MOUNTED TOGGLE SWITCH.
-	F5H034		0	SWITCH KIT - BILGE PUMP DASH MOUNTED TOGGLE SWITCH.
-	F5H035		0	SWITCH KIT - HORN DASH MOUNTED TOGGLE SWITCH (MOMENTARY).
-	F5H036		0	SWITCH KIT - TACHOMETER TRANSFER DASH MOUNTED TOGGLE SWITCH FOR ONE TACHOMETER ON DUAL ENGINE INSTALLATION.
-	F5H039		0	SWITCH KIT - INSTRUMENT LIGHT DASH MOUNTED TOGGLE SWITCH.
-	F563		0	TERMINAL BLOCK KIT DOUBLE ROW 10 SECTION TO SIMPLIFY ACCESSORY INSTALLATION.
-	F596-		0	US MARINE OUTBOARD OIL SEE NOTE 1
-	597-		0	US MARINE OUTBOARD GEAR LUBE SEE NOTE 2
-	F5H059		0	US MARINE OUTBOARD MULTI-PURPOSE GREASE LUBRICATES BEARINGS AND OTHER MOVING PARTS. AVAILABLE IN 8 OZ. TUBES AND 12 TUBE CASES.
-	F5H060		0	US MARINE OUTBOARD GREASE GUN USED WITH US MARINE OUTBOARD MULTI-PURPOSE GREASE TUBES FOR PRESSURE FITTINGS.
-	F5H191		0	FORCE BLUE ENAMEL ENGINE TOUCH-UP PAINT IN 13 OZ. AVERAGE SPRAY BOMBS (6 CANS PER CASE).
-	F5H192		0	FORCE BLUE ENAMEL

PARTS INDEX

Part Number	Description	Pg.	Ref. No.	Part Number	Description	Pg.	Ref. No.
5H145	HYDRAULIC TILT	51	-	F1425	HEX CAP SCREW, 1/4 - 20 X 5/8 S.S.	37	-
5H158	FUEL GAUGE FLUSH MOUNT	51	-	F1473	NUT, 10 - 24 S.S.	19	18
817747--1	BALL JOINT W/STUD	17	23	F1491	HEX HD SCREW, 5/16 - 18 X 3/4	35	41
817747--1	BALL JOINT W/STUD	21	25	F1493	PAN HD SCREW 5/16 - 18 X 5/8 SS	3	15
817782--1	IGNITION KEY - NO LETTER OR STAMPED A	39	32	F1504	FILL HD. SCREW, 1/4 - 20 X 1-1/4	21	13
817782--1	KEY IGNITION - NO LETTER OR STAMPED A	7	19	F1504	FILL HD. SCREW, 1/4 - 20 X 1-1/4	25	91
817783A5	SWIVEL BRACKET	31	47	F1504	SLOTTED FIL SCREW, 1/4 - 20 X 1-1/4 S.S.	19	8
817788A3	SPACER PLATE	23	70	F1513	HEX NUT, 10 - 32	7	26
817802A3	COVER	45	12	F1513	HEX NUT, 10 - 32	17	27
817883--1	IGNITION KEY - STAMPED B	39	-	F1513	HEX NUT, 10 - 32	23	42
817883--1	KEY IGNITION - STAMPED B	7	-	F1513	NUT, #10-32 HEX	43	30
817891--1	IGNITION KEY - STAMPED C	39	-	F1513	STOP NUTS (CABLE END)	39	23
817891--1	KEY IGNITION - STAMPED C	7	-	F1515	HEX NUT 5/16 - 18	31	70
817928--1	IGNITION KEY - STAMPED D	39	-	F1515	HEX NUT, 5/16 - 18	7	29
817928--1	KEY IGNITION - STAMPED D	7	-	F1515	HEX NUT, S.S., 5/16 - 18	7	25
817929--1	IGNITION KEY - STAMPED E	39	-	F1515	NUT, 5/16-18 HEX	43	3
817929--1	KEY IGNITION - STAMPED E	7	-	F15152	LOCKWASHER	11	18
817960A2	TOWERSHAFT	21	22	F15158	SCREW, BRUSH HOLDER	11	15
89396A38	PRIME BULB	41	9	F15160	INSULATOR WASHER	11	16
F1009	HEX HD. SCREW, 3/8 - 16 X 2-3/4	21	3	F15161	PLAIN WASHER	11	17
F101420	COTTER PIN	13	11	F15162	NUT	11	20
F1015	COTTER PIN	35	47	F15164	BRUSH KIT	11	7
F1034	PAN HD. SCREW, 1/4 - 20 X 1-3/8	13	33	F15174	DRIVE KIT	11	1
F1052	FILL HD. SCREW, 1/4 - 20 X 1	21	28	F15175	DRIVE ASSEMBLY PINION	11	2
F1059	FILL HD SCREW, 6 - 32 X 1/4	13	15	F15176	CAP STARTER DRIVE	11	3
F1064	FILL HD. SCREW, 8 - 32 X 3/8	13	37	F15177	ARMATURE	11	4
F1107	SLOTTED FILL HD. CAP SCREW, 1/4 - 20 X 3/4	25	92	F15178	THRU BOLT PACKAGE	11	5
F1112	FILL HD SCREW, 1/4 - 20 X 7/8	33	20	F15179	COMMUTATOR	11	6
F1203	HEX CAP SCREW 1/4 - 20 X 7/8	5	40	F1532	HEX HD. SCREW, 1/4 - 20 X 1	17	20
F1236	SCREW, 1/4 - 20 X 1/2	17	22	F1532	HEX HD. SCREW, 1/4 - 20 X 1	21	33
F1238	HEX CAP SCREW 1/4 - 20 X 3/4	5	41	F1532	HEX HD. SCREW, 1/4 - 20 X 1	25	106
F1253	HEX SOCKET HD. CAP SCREW, 3/8 - 16 X 2	21	9	F1540	HEX HD SCREW, 1/4 - 20 X 5/8 GR. 5	19	21
F1263	HEX SOCKET HD CAP SCREWS, 5/16 - 18 X 9/16	29	11	F1550	SLOTTED PAN HD. SCREW #12 - 24 X 1	9	60
F1280	PAN HD SCREW, 8 - 32 X 1/4	29	19	F1556	FILL HD. SCREW, W/LOCKWASHER, 10 - 24 X 3/8	21	29
F1280	SCREW (IGN. SWITCH WIRE TERMINAL)	39	22	F1641	LOCK NUT	11	8
F1280	SLOTTED PAN HD SCREW, 8 - 32 X 1/4	7	15	F1645	RD HD SCREW, 6 - 32 X 1/4	7	5
F1286	PAN HD. SCREW, 4 - 40 X 3/16	21	37	F1645	SCREW. RD. HD., SELF-TAPPING, 6-32 X 1/4	39	31
F1303	PAN HD SCREW, 8 - 32 X 3/4	9	70	F1647	HEX NUT, 8 - 32	7	8
F1341	HEX NUT, 1/4 - 20	21	27	F1648	PAN HD SCREW, 10 - 24 X 3/4	7	20
F1341	NUT	11	19	F1648	SCREW, 10 - 24 X 3/4 PAN HD SCREW	19	13
F1341	NUT, 1/4 - 20	9	53	F1648	SCREW, FUEL SEDIMENT BOWL	19	6
F1346	HEX NUT	17	29	F1664	SPRING PIN	29	10
F1346	HEX NUT	29	28	F1693	TIE BAR RETAINER NUT	13	36

PARTS INDEX

Part Number	Description	Pg.	Ref. No.	Part Number	Description	Pg.	Ref. No.
F1696	HEX BOLT, 5/16 - 18 X 1-3/4	29	23	F1829	FILL HD. SCREW, 10 - 24 X 7/8	21	23
F1699	HEX BOLT, 1/4 - 20 X 1-1/8	25	94	F1831	FLAT HD SCREW, 1/4 - 20 X 5/8	17	42
F1699	HEX HD. SCREW, 1/4 - 20 X 1-1/8	21	8	F1832	NUT, LOCK 1/4 - 20	9	57
F1703	LOCKWASHER	23	68	F1832	STOP NUT, 1/4 - 20	23	62
F1703	SPRING LOCKWASHER	31	53	F184033-1	SWIVEL, TOP CARBURETOR	13	14
F1704	INTERNAL TOOTH LOCKWASHER	7	4	F184122-1	SEAL	25	-
F1705	HEX CAP SCREW, 1/4 - 20 X 3/4 S.S.	33	1	F184122-1	SEAL, PARTING LINE	23	45
F1705	HEX WASHER HD. M SCREW 1/4 - 20 X 3/4	9	68	F184579	O-RING SEAL	13	13
F1710	PLAIN WASHER	29	33	F1854	HEX CAP SCREW 1/4 - 20 X 5/8	5	39
F1710	WASHER, PLAIN	43	19	F1854	HEX HD. CAP SCREW, 1/4 - 20 X 5/8	11	12
F1711	SPRING BOWED WASHER	29	41	F1856	PLAIN WASHER	37	72
F1711	WASHER, BOWED SPRING	43	20	F1857	HEX CAP SCREW, 5/16 - 18 X 5/8	3	10
F1713	SPRING PIN	33	26	F1857	HEX CAP SCREW, 5/16 - 18 X 5/8	3	30
F1727	PLASTIC RIVET	21	24	F1858	HEX CAP SCREW, 5/16 - 18 X 1	3	29
F1729	PLUG	29	8	F1858	HEX CAP SCREW, 5/16 - 18 X 1	35	39
F1733	PAN HD SCREW, 10 - 24 X 9/16	3	27	F1860	SLOTTED BINDING HEAD SCREW, 6 - 32 X 1/4	19	25
F1734	FILL HD, SCREW, 1/4 - 20 X 1/2	7	12	F1864	HEX CAP SCREW, 1/4 - 20 X 3/4	23	73
F1734	SCREW, 1/4-20 X 1/2 W/SPRING LOCKWASHER	43	12	F1864	HEX HD. SCREW, 1/4 - 20 X 3/4	21	11
F1741	PAN HD SCREW, 8 X 3/4	9	49	F1864	HEX SLOT HD SCREW, 1/4 - 20 X 3/4	29	3
F1741	SCREW (TERMINAL BLOCK)	39	20	F1866	PLAIN WASHER	33	16
F1741	SCREW, PAN HD., 8-3/4	39	30	F1869	HEX CAP SCREW, 3/8 - 16 X 1-1/4	23	67
F17500	SPRING SET, BRUSH	45	9	F1871	HEX HD SCREW, 3/8 - 16 X 3/4	31	54
F1755	ROUND HD. SCREW W/LOCKWASHER 6 - 32 X 1/4	17	38	F1872	HEX CAP SCREW, 3/8 - 16 X 1-3/4	21	12
F1760	SCREW, #10-24 X 3/8 PAN HM	43	24	F1873	HEX CAP SCREW, 3/8 - 16 X 3	21	7
F1760	SLOTTED PAN HD SCREW, 10 - 24 X 3/8	9	40	F1874	HEX HD. SCREW, 3/8 - 16 X 1/8	21	2
F17611	BRUSH SET	45	8	F1877	TY-RAP (NOT SHOWN)	9	64
F177330	VALVE, FUEL PUMP	19	24	F1885	HEX BOLTS. S.S., 5/16 - 18 X 4-1/4	23	55
F178145-4	MOTOR LEG COVER REAR	29	9	F1885	HEX CAP SCREW, 5/16 - 18 X 4-1/4 S.S.	33	6
F17815	SEAL, FUEL LINE COUPLER (SMALL)	41	5	F1904	PLAIN WASHER	29	27
F17816	SEAL, FUEL LINE COUPLER (LARGE)	41	4	F1907	PLAIN WASHER S.S.	33	7
F178168-1	CARBURETOR ADAPTER GASKET	25	-	F19109	PLUG	23	78
F178168-1	GASKET, CARBURETOR ADAPTER	17	35	F1912	HEX HD SCREW, 10- 24 X 1/2	31	51
F17817	SEAL, FUEL TANK ADAPTER	41	12	F1922	HEX CAP SCREW, 1/4 - 20 X 5/8	11	10
F17818	GASKET	41	13	F1922	HEX CAP SCREW, 1/4 - 20 X 5/8	23	52
F178323	SEAL, MOTOR LEG	29	13	F1931	NUT, 1/2-20 STOP	43	18
F178344	BUSHING	45	1	F1934	FLAT HD SCREW, 6 X 1/2	7	21
F178344	BUSHING, SHOCK ABSORBER	43	32	F1936	SPACER, BEVEL GEAR FRONT .059	33	28
F178404-1	DEFLECTOR PLATE	17	36				
F178754-1	FUEL LINE	13	8				
F1788	STOP NUT	33	15				
F1804	STOP NUT	23	75				
F18160-3	CYLINDER DRAIN REED	23	40				
F1822	HEX BOLT, 5/16 - 18 X 7/8	31	58				
F1822	SCREW, 5/16-18 X 7/8 HEX	43	4				

PARTS INDEX

Part Number	Description	Pg.	Ref. No.	Part Number	Description	Pg.	Ref. No.
F1937	SPACER, BEVEL GEAR FRONT .062	33	-	F2081	HEX SOC. HD SCREW, 1/4 - 20 X 3/4	27	18
F1938	SPACER, BEVEL GEAR FRONT .065	33	-	F2088	FASTENER	3	14
F1939	SPACER, BEVEL GEAR FRONT .068	33	-	F2089	SLOTTED PAN HD. M. SCREW, 10 - 24 X 5/16	23	60
F1940	SPACER, BEVEL GEAR FRONT .071	33	-	F2090	PLUG	23	71
F1941	SPACER, BEVEL GEAR FRONT .074	33	-	F2093	STOP NUT, 3/8 - 24	29	15
F1942	SPACER, BEVEL GEAR FRONT .077	33	-	F2106	LOCKWASHER	9	55
F1950	HEX CAP SCREW, 10 - 24 X 5/8	25	98	F2108	LOCK NUT	31	64
F1959	SCREW, 1/4-20 X 1-3/4, SS	45	11	F2108	STOP NUT, 5/16 - 18	23	61
F1966	PLUG, PLASTIC	43	9	F2113	SPACER, BEVEL GEAR FRONT .080	33	-
F1968	FLYWHEEL NUT	27	20	F2114	SPACER, BEVEL GEAR FRONT .083	33	-
F1968	HEX NUT, 3/4 - 16	9	62	F2115	SPACER, BEVEL GEAR FRONT .086	33	-
F1975	LOCKWASHER	7	18	F2116	SPACER, BEVEL GEAR FRONT .089	33	-
F1975	LOCKWASHER	19	14	F2121	SPACER, BEVEL GEAR FRONT .057	33	-
F1975	WASHER, #10 SPRING LOCK	43	31	F2122	SPACER, BEVEL GEAR FRONT .054	35	-
F197787-3	FUEL LINE COUPLER	41	6	F2125	HEX HD SCREW, 3/8 - 16 X 3	29	26
F1987	PLAIN WASHER	23	81	F213274	GREASE FITTING	31	43
F1987	PLAIN WASHER	31	65	F2143	HEX SOC. HD SCREW, 1/4 - 20 X 1 SS	3	20
F1990	HEX CAP SCREW, 1/4 - 20 X 1-5/8 S.S.	35	61	F215962	MOUNT (SHOCK - C.D. UNIT)	7	32
F1990	HEX CAP SCREW, 1/4 - 20 X 1-5/8 S.S.	37	-	F24278	PROPELLER SHAFT SPOOL SEAL	37	-
F1994	HEX SOCKET HD CAP SCREW, 5/16 - 18 X 1	35	37	F24278	SEA, O-RING PROPELLER SHAFT SPOOL	33	10
F1997	STOP NUT, 8 - 32	15	47	F269319	THROTTLE CAM BEARING	17	26
F1999	HEX CAP SCREW, 1/4 - 20 X 7/8 S.S.	35	55	F284659-2	CRANKSHAFT THRUST BEARING, UPPER	27	21
F2000	HEX CAP SCREW, 5/16 - 18 X 3/4	25	104	F286818	BEARING, LATCH SHAFT	3	33
F2008	HEX CAP SCREW, 1/4 - 20 X 7/8	25	82	F289446-1	CLAMP, REMOTE ELEC. CABLE TO BRACKET	7	11
F2008	HEX HD SCREW, 1/4 - 20 X 7/8	17	43	F298788	FERRULE	41	7
F2008	HEX HD. M. SC., 1/4 - 20 X 7/8	9	44	F2A449545	TRIM CYLINDER COMPLETE	43	10
F2008	HEX HD. SCREW, 1/4 - 20 X 7/8	21	5	F2A476757	CYLINDER DRAIN REED PLATE	23	41
F2008	HEX HD. SCREW, 1/4 - 20 X 7/8	21	6	F2A523239	SPOOL, PROPELLER SHAFT BEARING	33	11
F2008	SLOTTED PAN HD SCREW 1/4 - 20 X 7/8	9	47	F2A523662	BEVEL GEAR REAR W/BEARING CAGE, SPACER AND BEARING	33	22
F2012	WASHER	3	21	F2A550706	GEAR HOUSING COVER	35	53
F2014	PLAIN WASHER	31	67	F2A615144	CRANKSHAFT BEARING CAGE	27	17
F2015	HEX NUT, 1/4 - 28	21	17	F2A654983	CYLINDER BEND ASSEMBLY	45	7
F2016	SLOTTED FILL HD SCREW, 6 - 32 X 7/8	7	1	F2A664746	FUEL PUMP COMPLETE	19	-
F2030	HEX HD SCREW, 1/4 - 20 X 1-1/4	31	55	F2C664712	ENGINE COVER COMPLETE	3	-
F2033	GROOVE PIN	13	3	F307317	CLIP, TERMINAL BLOCK GROUND	7	17
F2042	PLAIN WASHER	23	59	F316579	SEAL, CRANKCASE	27	11
F2047	WAVE WASHER	3	35	F316599	SEAL, STEERING SUPPORT TUBE	31	44
F2049	HEX CAP SCREW, 5/16 - 18 X 2-5/8	23	80	F319908	WIRE GROUND (C.D. - COIL BRACKET)	9	56
F2067	PLASTIC CAP	27	22	F322273	STUD	9	75

PARTS INDEX

Part Number	Description	Pg.	Ref. No.	Part Number	Description	Pg.	Ref. No.
F333316	THROTTLE ROLLER SHAFT	15	45	F438653	SCREEN, FUEL PUMP	19	4
F335215	SPACER, PISTON PIN (2 PER PISTON)	27	3	F438668	RETAINER	9	66
F335217-1	BEARING PISTON PIN (26 PER SET)	27	5	F438747	DIAPHRAGM, FUEL PUMP	19	15
F335654-1	DEFLECTION STOP	3	28	F438754	FUEL LINE	13	16
F338618-1	GEAR SHIFT ROD SEAL	37	-	F438754	FUEL LINE, PUMP TO CARBURETOR	19	10
F338618-1	SEAL, GEAR SHIFT ROD	35	56	F438760	GASKET, FUEL PUMP	19	16
F345683	WIRE, GROUND (RECTIFIER TO STARTER BOLT)	9	51	F438801	ELBOW	19	11
F351307	SEAL, WATER PUMP	35	64	F438930	RETAINER, SNOUT	35	36
F353480	STUD	29	29	F438962	SHOCK MOUNT LOWER REAR	29	12
F369610	BEARING	23	64	F439736	SEAL, EXHAUST TUBE	31	68
F369887	SHOULDER SCREW	23	65	F440192-1	THROTTLE CAM	17	28
F369977-1	INTERLOCK ARM	23	63	F440209	CARBURETOR STUD	17	30
F372151-1	EXHAUST PORT PLATE	25	97	F440254	BALANCE TUBE	17	34
F372152-2	EXHAUST PORT COVER	25	95	F440906	CARBURETOR GASKET	17	31
F372154-1	EXHAUST PLATE GASKET	25	-	F440906	CARBURETOR GASKET	25	-
F372154-1	GASKET, EXHAUST PORT PLATE	25	96	F440925	CHOKE ROD	13	4
F372958	CHOKE BRACKET	17	19	F441754-1	HOSE, RECIRCULATION	19	27
F381896-4	BATTERY CABLE	7	34	F449010	CYLINDER	45	17
F391926-1	PLUNGER	13	5	F449278	PISTON SEAL	45	15
F3A523158	REED PLATE	17	41	F449342	SEAL, PISTON SHAFT	45	13
F40223	GASKET, TRANSFER PORT COVER	19	22	F449354	BRACKET, THRUST	43	13
F40223	GASKET, TRANSFER PORT COVER	23	50	F449362	BEARING	29	35
F40223	TRANSFER PORT COVER GASKET	25	-	F449362	BEARING, LOWER SHAFT	43	7
F40278	SEAL, CYLINDER	45	16	F449545-2	CYLINDER HOUSING	45	18
F404268	BY-PASS VALVE SPRING	25	101	F449632	SHAFT, TRIM MOUNT	43	8
F404310	ELBOW, RECIRCULATING	19	19	F449889	SHAFT, UPPER SHOCK	43	21
F404314	FITTING	23	54	F474073-1	CLAMP SCREW	29	31
F404801	ELBOW, CYLINDER DRAIN UPPER (NOT SHOWN)	21	-	F475504	GROMMET	9	42
F404841	CABLE, HEAT INDICATOR	9	52	F476066-1	THERMOSTAT COVER	25	90
F404841	CABLE, OVERHEAT BUZZER	39	28	F476067	GASKET	25	87
F405457	PIVOT SCREW	21	31	F476067	THERMOSTAT COVER GASKET	25	-
F406406	DEFLECTOR PLATE GASKET	25	-	F476529-1	CYLINDER HEAD GASKET	23	76
F406406	GASKET DEFLECTOR PLATE	17	37	F476529-1	CYLINDER HEAD GASKET	25	-
F406471-1	CYLINDER DRAIN COVER	21	35	F480107-1	CAM STARTER INTERLOCK	23	57
F406754-1	HOSE	23	53	F480388	DISC, WATER PUMP LOCATING	35	62
F40689-1	BEARING	23	69	F481434	GUIDE, ENGINE COVER	3	13
F407446	CLAMP	7	33	F481777	CAM, LATCH SHAFT	3	36
F409251-1	GAUGE CAP	41	1	F485755-1	FUEL TANKER ADAPTER	41	3
F428096	RETAINER, THERMOSWITCH	9	74	F489551	BRACKET NEUTRAL INTERLOCK SWITCH	17	44
F433209-1	THROTTLE CAM STUD	17	32	F491689-1	BEARING TOWERSHAFT UPPER	25	109
F438066	BY-PASS VALVE COVER	25	99	F498618	GEAR SHIFT ARM PIN SEAL	37	-
F438129	SEAL, DRIVESHAFT SPLINE	37	71	F498618	SEAL	35	33
F438169	BEARING	29	38	F498891	PIN, GEAR SHIFT ARM	35	32
F438271	RETAINER, CRANKSHAFT SPLINE SEAL	37	70	F499026	SWIVEL	21	16
F438346	SHOCK MOUNT LOWER	31	61	F499035	END, CONTROL ROD (TO TOWERSHAFT)	21	18
F438500	BOWL, FUEL SEDIMENT	19	5	F499036	END, CONTROL ROD (TO TIGGER)	21	21
F438617	GASKET, FUEL SEDIMENT BOWL	19	3	F500133	MOTOR LEG (25 INCH MODELS)	29	-
				F500244	INLET WATER LINE (25 INCH MODELS)	33	-
				F500615	GEAR SHIFT ROD UPPER (25 INCH MODELS)	31	-

PARTS INDEX

Part Number	Description	Pg.	Ref. No.	Part Number	Description	Pg.	Ref. No.
F500894	POINTER, TIMING	17	51	F589061-1	CARBURETOR COMPLETE		
F50109	PLUG	37	78		(TOP)	13	27
F50342-1	BEARING CAGE BOLT SEAL	37	-	F591843	CABLE (25' REMOTE ELECT.		
F50342-1	SEAL, BEARING CAGE				- 10 WIRE)	39	-
	BOLTS	33	8	F598387	DECAL, POWER FLOW	31	71
F506118	PROPELLER SHAFT SEAL	37	-	F5H018	DUAL STEERING		
F506118	SEAL, DRIVESHAFT	35	52		CONNECTOR	51	-
F506118	SEAL, PROPELLER SHAFT	33	9	F5H019	ANTI-CORROSION KIT	51	-
F510374-1	DECAL, CIRCUIT BREAKER	7	37	F5H021	EXTENSION CABLE	51	-
F510374-1	DECAL, CIRCUIT BREAKER	43	29	F5H025	ANTI-CORROSION		
F510460	BREAKER, CIRCUIT	43	28		SACRIFICIAL ANODE	51	-
F510460	CIRCUIT BREAKER	7	38	F5H026-1	FUEL TANK (ACCESSORY		
F511125-2	TUBE, STEERING SUPPORT	29	42		ITEM)	41	2
F511708-1	COVER, CARBURETOR	13	32	F5H028	SENDING UNIT, FUEL TANK	51	-
F522056	BEARING	37	77	F5H030	SWITCH KIT - RUNNING		
F523031	GASKET, WATER PUMP	35	57		LIGHTS	52	-
F523031	GASKET, WATER PUMP	37	-	F5H031	SWITCH KIT - SPOT LIGHT	52	-
F523057	BEARING, DRIVESHAFT			F5H032	SWITCH KIT - WIPER	52	-
	LOWER	35	66	F5H034	SWITCH KIT - BILGE PUMP	52	-
F523065-1	IMPELLER	37	-	F5H035	SWITCH KIT - HORN	52	-
F523065-1	WATER PUMP IMPELLER	35	59	F5H036	SWITCH KIT - TACHOMETER		
F523099-1	SPACER, PROPELLER	33	19		TRANSFER	52	-
F523116-1	EXHAUST SNOOT	35	38	F5H037	CIGAR LIGHTER	51	-
F523133-2	MOTOR LEG (20 INCH			F5H038	IGNITION SWITCH		
	MODELS)	29	14		MOUNTING KIT	7	22
F523146-1	SEAL, CRANKSHAFT			F5H039	SWITCH KIT - INSTRUMENT		
	LOWER	27	13		LIGHT	52	-
F523146-1	SEAL, CRANKSHAFT UPPER	27	19	F5H041	BATTERY TERMINAL KIT	51	-
F523188	NUT, BEVEL PINION			F5H041	BATTERY TERMINAL KIT		
	RETAINING	35	34		(ACCESSORY ITEM)	9	48
F523244	INLET WATERLINE (20 INCH			F5H043	BUZZER, HEAT INDICATOR	9	50
	MODELS)	33	5	F5H043	OVERHEAT BUZZER	51	-
F523273	STEERING BALL STUD	29	22	F5H044	TILT STOP KIT	51	-
F523274	GREASE FITTING	29	39	F5H059	US MARINE OUTBOARD		
F523280	NUT, STEERING SUPPORT				MULTI-PURPOSE GREASE	52	-
	TUBE	31	48	F5H060	US MARINE OUTBOARD		
F523300-1	SPRING	29	18		GREASE GUN	52	-
F523411	RETAINING RING	33	23	F5H068	RFI SUPPRESSION KIT	51	-
F523451	SPACER, REED STOP	17	50	F5H073	BUZZER, OVERHEAT		
F523498	DRIVE KEY, WATER PUMP	37	68		(ACCESSORY ITEM)	39	29
F523498	KEY	37	-	F5H077	IGNITION KEY SWITCH	51	-
F523555	GEAR HOUSING COVER			F5H077	SWITCH (ACCESSORY		
	SEAL	37	-		ITEM)	39	21
F523555	SEAL, O-RING, GEAR			F5H078	IGNITION KEY SWITCH	51	-
	HOUSING COVER	35	49	F5H078	SWITCH, IGNITION, LONG		
F523562	PLATE, WATER PUMP	37	-		BARREL W/KEYS AND		
F523562	WATER PUMP BACK PLATE	35	58		SCREWS	7	16
F523705	GEAR SHIFT ROD LOWER	35	46	F5H080	TWIN REMOTE CONTROL		
F523813	BEARING CUP	35	30		BOX	51	-
F523899	GROMMET, WATERLINE	33	4	F5H081	BATTERY CABLE	51	-
F523930	RETAINER	29	21	F5H094	STEERING LINK KIT	51	-
F523961	CRUSH RING	35	50	F5H108	STEERING CONNECTOR	51	-
F525629	PIN, COTTER	31	73	F5H115	TRAILERING TILT LOCK	52	-
F528068	THERMOSTAT	25	88	F5H151	SHOCK ABSORBER KIT	51	-
F530160	REED (5 PETAL)	17	40	F5H154	SPEEDOMETER FLUSH		
F532299	WASHER, PROPELLER				MOUNT	52	-
	SPLINE	33	17	F5H155	SPEEDOMETER FLUSH		
F549189	BUSHING, ELECTRIC CABLE	3	25		MOUNT	52	-
F563	TERMINAL BLOCK KIT	52	-	F5H156	TEMPERATURE GAUGE		
F58685-2	CONNECTOR (SHIFT)	39	25		FLUSH MOUNT	52	-

PARTS INDEX

Part Number	Description	Pg.	Ref. No.	Part Number	Description	Pg.	Ref. No.
F5H157	VOLTMETER - FLUSH MOUNT	51	-	F660411	RING (RETAINING)	39	16
F5H159	HOURMETER	51	-	F660446	CLAMP (REMOTE ELECT. CABLE)	39	6
F5H161	POWER TRIM INDICATOR	51	-	F660480	SCREW (COVER TO ACTUATOR)	39	9
F5H167	TACHOMETER FLUSH MOUNT	52	-	F660497	BLOCK (TERMINAL)	39	19
F5H173	FLUSHING ADAPTER	51	-	F660504	GROMMET (REMOTE ACCESSORY CABLE)	39	7
F5H179	TRAILERING BRACKET	31	72	F660541	PUMP MOTOR ASSEMBLY	43	5
F5H179	TRAILERING TILT LOCK	52	-	F660595	WASHER (CONTROL MTG. SCREWS)	39	11
F5H190/___	REMOTE CONTROL CABLE (SPECIFY LENGTH - X)	39	26	F660602	SWITCH (EMERGENCY KILL)	39	2
F5H190/___	REMOTE CONTROL CABLES	51	-	F660611	LEVER W/TRIM SWITCH	39	1
F5H191	FORCE BLUE ENAMEL	52	-	F660642	RETAINER (REMOTE CABLE)	39	13
F5H192	FORCE BLUE ENAMEL	52	-	F660664	WIRE (IGN. SWITCH TO ACC. TERMINAL BLOCK)	39	27
F5H193	CABLE (7' EXTENSION FOR 10 WIRE REMOTE ELECTRIC CABLE)	39	-	F660732	SCREW (CONTROL MOUNTING)	39	10
F5H196	POWER TRIM UNIT COMPLETE	43	-	F660751	SCREW (PLATE TO ACTUATOR)	39	17
F5H198	REMOTE CONTROL - SURFACE MOUNT	51	-	F660754	LINE, LOWER HYDRAULIC TILT CYLINDER	43	14
F5H198	REMOTE CONTROL COMPLETE - WIRE FOR POWER TRIM	39	-	F660758	LINE, UPPER HYDRAULIC TILT CYLINDER	43	16
F615475	IGNITION COIL	9	46	F660843	CALBE (15-1/2' REMOTE ELECT.)	39	5
F616675	STARTER BRACKET LOWER	11	11	F660911	PLATE (REMOTE CONTROL)	39	18
F616955	STARTER COMPLETE.	11	14	F660917	RELAY, POWER TRIM	43	22
F629449-1	THERMOSWITCH	7	6	F660995	COVER (ASSEMBLY - REMOTE CONTROL)	39	12
F631606	KINGPIN CAP (25 INCH MODELS)	31	69	F663038	SUPPORT PLATE	3	24
F631707	COVER SHOCK MT. LOWER (25 INCH MODELS)	29	36	F663095	ALTERNATOR STATOR	9	59
F640583-1	WIRE, RED	43	25	F663269	HANDLE, TILT	3	19
F650450	RECTIFIER	7	9	F663366	MEDALLION - FORCE	3	6
F653301-1	MODULE	9	45	F663373	DECAL, TOP - SIDE	3	7
F653744	WIRING HARNESS	7	14	F663396	DECAL, BOTTOM - STARBOARD	3	5
F654029	TRIGGER ASSY.	9	58	F663397	DECAL, BOTTOM - PORT	3	3
F654398	DECAL, 4 CYL. WIRING	9	71	F663480	RETAINER	5	42
F654497	TERMINAL BLOCK (12 POSITION)	9	73	F663528	DECAL, BOTTOM - REAR	3	16
F654618	"O" RING	45	4	F663585	DECAL, TOP - REAR	3	18
F654924	CHOKE SOLENOID	7	36	F663756	PACKING	3	23
F654976	CONNECTOR (THROTTLE)	39	24	F663774-1	BRACKET, ENGINE COVER LATCH	3	9
F658803	GASKET, SPACER PLATE	19	2	F663843	CABLE (19' REMOTE ELECT. - 10 WIRE)	39	-
F658836	SPACER, FUEL PUMP	19	17	F663892	DECAL, BOTTOM - FRONT	3	4
F660141	CONNECTOR (CABLE - REMOTE CONTROL)	39	15	F663894	DECAL, TOP - FRONT	3	2
F660165	SCREW (LEVER TO ACTUATOR)	39	3	F663984	BLANKET, TOP (NOT SHOWN)	3	-
F660189	BUSHING, CABLE ENTRY	3	26	F664061	CARBURETOR COMPLETE (BOTTOM)	13	-
F660253	LINE, LOWER HYDRAULIC TRIM CYLINDER	43	15	F664384	CLIP, TERMINAL BLOCK COVER	9	72
F660254	LINE, UPPER HYDRAULIC TRIM CYLINDER	43	11	F664386	DECAL, NUMBER 125	3	8
F660273	STUD	43	1	F664672	COVER, TERMINAL BLOCK	9	76
F660327	ACTUATOR (ASSEMBLY - REMOTE CONTROL)	39	14	F664843	CABLE (22' REMOTE ELECT. - 10 WIRE)	39	-
F660329	LANYARD, KILL SWITCH	39	33				
F660332	PLUG (WARM-UP BUTTON)	39	4				
F660353	CALBE ACCESSORY	39	8				

PARTS INDEX

Part Number	Description	Pg.	Ref. No.	Part Number	Description	Pg.	Ref. No.
F665387	DECAL, LOGO (US MARINE)	3	17	F84472-5	CYLINDER DRAIN COVER		
F7004	STOP NUT, 3/8 - 16	23	49		GASKET	25	-
F7008	ELASTIC STOP NUT	21	32	F84472-5	GASKET, CYLINDER DRAIN COVER	21	36
F7008	STOP NUT, 1/4 - 20	17	25	F84504	GROMMET (THERMOSTAT)	25	89
F7009	LOCK NUT, #10 - 24	25	107	F84521-2	CLUTCH	33	27
F7012	STOP NUT	29	25	F84748-3	CYLINDER DRAIN REED		
F7024	STOP NUT, 1/4 - 20	3	22		PLATE GASKET	25	-
F7053	NUT, 5/8-18 STOP	43	6	F84748-3	GASKET, CYL. DRAIN REED		
F74305	GEAR HOUSING SEAL	37	-		PLATE	23	44
F74305	SEAL, DRIVESHAFT			F84792	GASKET, FUEL PUMP		
	BEARING CAGE	35	51		VALVE	19	23
F8003	PLAIN WASHER	21	38	F84871-1	PIN, GEAR SHIFT	33	25
F8011	PLAIN WASHER	7	39	F85017	PISTON PIN	27	4
F8011	WASHER, #10	43	23	F85033	SWIVEL, CHOKE ROD		
F8028	PLAIN WASHER	9	43		(BOTTOM CARBURETOR)		
F8038	PLAIN WASHER	21	4		(NOT SHOWN)	13	-
F8038	PLAIN WASHER	29	17	F85037-1	STERN BRACKET PIVOT		
F8056	SPRING LOCKWASHER	7	7		BOLT	31	50
F8058	INTERNAL TOOTH			F85117	BRACKET, WATERLINE	33	2
	LOCKWASHER	17	24	F85130	BOOT IDLE EXHAUST	29	5
F8077	WASHER	37	-	F85161-1	REED STOP	17	39
F8077	WASHER, GEAR HOUSING			F85211	STUD	23	47
	PLUG	35	43	F85258	INSERT	29	4
F8080	SPRING LOCKWASHER	29	20	F85279-2	CYLINDER EXHAUST UPPER		
F8083	LOCKWASHER	5	38		GASKET	25	-
F8083	LOCKWASHER	19	7	F85279-2	GASKET, CYLINDER		
F8083	LOCKWASHER	37	76		EXHAUST UPPER	23	66
F8083	SPRING LOCKWASHER	9	63	F85314-1	FUEL FITTING - BOTTOM		
F8083	SPRING LOCKWASHER	11	13		CARBURETOR	13	7
F8083	SPRING LOCKWASHER	29	2	F85317-3	SOLENOID CLAMP	17	21
F8083	SPRING LOCKWASHER	35	54	F85372	PIN, GEAR SHIFT ROD		
F8083	SPRING LOCKWASHER	37	-		LOWER	35	48
F8088	PLAIN WASHER	7	2	F8538	SPRING PIN	29	32
F8088	PLAIN WASHER	13	12	F85380	SPRING	29	6
F8090	PLAIN WASHER	7	28	F85410	SNAP RING	27	8
F8094	WASHER	3	37	F85445	CONTROL ROD	21	20
F8095	PLAIN WASHER	23	48	F85498-1	FLYWHEEL KEY	27	16
F8096	SPRING LOCKWASHER	3	11	F85502	THROTTLE LINK	21	26
F8096	SPRING LOCKWASHER	3	31	F85509-1	LINK, CHOKE	13	2
F8096	SPRING LOCKWASHER	7	24	F85571	BEARING CAGE W/ROLLER	27	10
F8096	SPRING LOCKWASHER	25	105	F85606	KINGPIN CAP (20 INCH		
F8096	SPRING LOCKWASHER	31	59		MODELS)	31	56
F8096	SPRING LOCKWASHER	35	40	F85610	BEARING	23	56
F8096	WASHER, 5/16 LOCK	43	2	F85615-1	GEAR SHIFT ROD UPPER		
F8104	PLAIN WASHER	21	10		(20 INCH MODELS)	31	62
F8124	PLAIN WASHER	7	31	F8563	DOWEL PIN	21	14
F84011	WASHER	31	46	F85634-2	CONNECTING ROD SCREW	27	14
F84074	CLAMP SCREW FOOT	29	30	F85660-1	EXHAUST TUBE	29	1
F84286-1	FRICTION WASHER	31	45	F85704	COUPLER, GEAR SHIFT		
F84305	PROPELLER SHAFT				ROD	31	60
	SPOOLS SEAL	37	-	F85762	BY-PASS COVER GASKET	25	-
F84305	SEAL, PROPELLER SHAFT			F85762	BY-PASS VALVE COVER		
	BEARING SPOOL	33	12		GASKET	25	100
F84307-1	DRIVE SHAFT SEAL	37	-	F85772	CLAMP	29	7
F84314-2	ELBOW	23	46	F85779-1	BAFFLE, AIR INTAKE	31	52
F84314-2	ELBOW - TOP			F85859	STUD	21	15
	CARBURETOR	13	9	F85906	CARBURETOR GASKET	25	-
F84342	SEAL, INLET WATERLINE,			F85908-1	LEAD WIRE	11	9
	UPPER	33	3				

PARTS INDEX

Part Number	Description	Pg.	Ref. No.	Part Number	Description	Pg.	Ref. No.
F85916-1	BY-PASS VALVE	25	102	FA616497	TERMINAL BLOCK	7	13
F85965	SHOCK MOUNT UPPER	31	63	FA630752	FUEL LINE COMPLETE (BAYLINER MODELS.)	41	-
F89758	HOSE, IMPULSE	19	20	FA631518	CYLINDER HEAD	23	77
F9018	CAP	31	49	FA654015	PISTON ASSEMBLY	45	5
F9052	PLUG	29	40	FA654055	HEAD ASSEMBLY	45	3
F90619-2	YOKE	37	73	FA658746	COVER, FUEL PUMP	19	1
F90807	RETAINING RING	13	34	FA663469	ENGINE COVER LATCH HANDLE W/SHAFT	3	32
F9095	SHIM, DRIVESHAFT BEARING, UPPER .005 - SILVER	35	-	FA663744	WIRING HARNESS	43	26
F9097	SHIM, DRIVESHAFT BEARING, UPPER. 010 - BLACK	35	-	FA84621-1	COUPLING, GEAR SHIFT ARM W/BUSHING	35	45
F9106	SHIM, DRIVESHAFT BEARING, UPPER .003 - BRASS	35	67	FA84754-1	FUEL LINE SHORT W/FERRULES	41	8
F91446-1	BRACKET	43	27	FA85135-4	LEG COVER FRONT	31	57
F91446-1	CIRCUIT BREAKER BRACKET	9	41	FA85193	TIE BAR END W/SWIVEL	13	38
F92759	THROTTLE ROLLER	15	46	FA85355-1	WASHER (SET OF 2 SHOCK MOUNT WASHERS)	31	66
F93811	SCREEN	23	43	FA85655-1	CRANKSHAFT MAIN BEARING RACE	27	9
F93920	REED STOP	21	39	FC529398	DECAL, WIRING	25	93
F97772	CLAMP	13	6	FG1019	GASKET SET -	25	103
F97772	CLAMP, FUEL LINE	19	9	FK10023	GASKET SET.	13	-
F97772	FUEL LINE CLAMP	41	11	FK10103	REPAIR PARTS KIT	13	1
F98273	ROD END CONNECTOR STUD	23	74	FK10107	INLET NEEDLE AND SEAT	13	19
FA17561-1	"O" RING	45	6	FK1063-2	SEAL KIT	37	74
FA178233	THROTTLE TIE BAR W/SWIVEL	13	35	FK1069	WATER PUMP KIT	37	75
FA178962	SHOCK ABSORBER W/BUSHING - 178344	29	34	FK1123	SPARKIE KIT	9	54
FA27232	EMERGENCY STARTER ROPE (NOT SHOWN)	7	-	FK405020	SWIVEL W/CLAMP, SHOULDER SCREW AND NUT	21	30
FA335260	PISTON RINGS (2 PER SET) STANDARD	27	1	FK460917	STARTER RELAY	7	23
FA411222	TRANSFER PORT COVER	23	51	FK85228-1	BEARING CAGE W/ROLLER	27	7
FA438431	BODY, FUEL PUMP	19	12	FO10588	BODY CHANNEL CUP PLUG	15	48
FA439493	BRACKET, TERMINAL BLOCK	7	10	FO11103	IDLE MIXTURE SCREW SPRING	13	28
FA440157	CARBURETOR ADAPTER, UPPER	17	-	FO13193	MAIN FUEL JET OPT. .088 4500 - 6000 FT.	15	-
FA440167	CARBURETOR ADAPTER, LOWER	17	33	FO13554	FLOAT	13	25
FA449015	PISTON	45	14	FO13944	FLOAT LEVER PIN	13	24
FA480876	GEAR SHIFT ARM	23	58	FO13949	MAIN FUEL JET OPT. .086 6000 FT. & UP	15	-
FA481743	BRACKET, ROLLER LATCH W/ROLLER	3	12	FO14166	IDLE MIXTURE SCREW	13	29
FA500019	KINGPIN (25 INCH MODELS)	29	-	FO14190	MAIN FUEL JET OPT. .092 1500 - 3000 FT.	15	-
FA523014	CRANKSHAFT LOWER MAIN BEARING	27	12	FO14191	MAIN FUEL JET STD. .0937 SEA LEVEL - 1500 FT.	15	40
FA523054	GEAR HOUSING	35	42	FO15406	MAIN FUEL JET OPT .090 3000 - 4500 FT.	15	-
FA523109	PLUG, GEAR HOUSING	35	44	FO15623	FUEL BOWL GASKET	13	26
FA523485	ANTI-CORROSION ANODE	33	21	FO16128	BODY CHANNEL WELCH PLUG	15	49
FA523735	SEAL, INLET WATERLINE, LOWER	35	65	FO16130	FUEL BOWL	13	22
FA528018	CRANKSHAFT	27	15	FO16132	FUEL BOWL RETAINING SCREW	13	20
FA607689	BEARING TOWERSHAFT	25	108	FO16133	MAIN NOZZLE	13	23
FA609853	DECAL, WARNING	9	67	FO16142	THROTTLE SHUTTER	15	50
				FO16143	THROTTLE SHAFT RETURN SPRING	15	41
				FO16301	CHOKE SHAFT AND LEVER	13	17

PARTS INDEX

Part Number	Description	Pg.	Ref. No.	Part Number	Description	Pg.	Ref. No.
FO16993	BY PASS TUBE	15	51	FT3012	SEAL INSTALLER	48	-
FO17719	CHOKE, SHUTTER	13	30	FT7848	TORQUE ADAPTER	48	-
FO17884	THROTTLE SHAFT AND LEVER	15	42	FT8900	HOSE CLAMP PLIERS	47	-
FO17885	CHOKE SHAFT RETURN SPRING	13	18	FT8901	INDICATOR HOLDER	48	-
FO18010	MAIN FUEL JET STD. .101 SEA LEVEL - 1500 FT.	15	-	FT8902	DIAL INDICATOR	48	-
FO1974	SCREW	15	44	FT8903	SEAL INSTALLER	47	-
FO5323	FUEL BOWL RETAINING SCREW GASKET	13	21	FT8907	DRIVER HANDLE	47	-
FO8942	CHOKE AND THROTTLE SHUTTER SCREW	13	31	FT8907	DRIVER HANDLE	48	-
FO9678	CLIP, CHOKE SHAFT	13	39	FT8914	SEAL REMOVER	47	-
FO992	LOCKWASHER	15	43	FT8918	BEARING GUIDE SET	48	-
FP665	PROPELLER (13 X 15 CUPPED) MODEL 1254X7B	33	-	FT8919	SPRING PIN PUNCH	48	-
FPS501	PROPELLER (14 X 13) MODEL 1253X7B	33	18	FT8925	SEAL INSTALLER	47	-
FPS623	PROPELLER (13 X 17) MODEL 1251X7B	33	-	FT8925	SEAL INSTALLER	48	-
FPS625	PROPELLER (13 X 19)	33	-	FT8926	RING EXPANDER	47	-
FS409752	FUEL LINE COMPLETE (FORCE MODELS)	41	-	FT8930-1	FEELER GAUGE SET	48	-
FS631995	COVER, CYLINDER HEAD	23	79	FT8933	LIFTING HOOK	47	-
FS654381	TILT CYLINDER COMPLETE	43	17	FT8935	SEALANT PRIMER LOC QUIC T	50	-
FS664358	BRACKET (C.D. - COIL)	7	30	FT8936-1	SEALANT - 2 CC LOCTITE RETAINING COMPOUND #75	50	-
FS664712	ENGINE COVER (WITHOUT PAINT, DECALS OR HARDWARE)	3	1	FT8948-1	PULLER	46	-
FS85019	KINGPIN (20 INCH MODELS)	29	37	FT8948-1	PULLER	48	-
FS85872-1	BRACKET	23	72	FT8950	LEAKAGE TESTER	49	-
FSA335260	PISTON RINGS (2 PER SET) .010 OVERSIZE	27	-	FT8955	SEALANT - 5 OZ. EC-750 INDUSTRIAL SEALANT	50	-
FT1082	SNAP RING PLIER	47	-	FT8957	SEAL INSTALLER	48	-
FT11204	BEARING CUP INSTALLER	48	-	FT8969	LUBRICANT - 7 OZ. LPS-1 LUBRICANT	50	-
FT11205	BEARING INSTALLER/REMOVER	48	-	FT8978	TIMING LIGHT	46	-
FT11207	BEARING CUP REMOVER	48	-	FT8983	SEALANT - 3 OZ. RTV SEALANT FORM IN PLACE GASKETS	50	-
FT11209	BEARING GUIDE SET	48	-	FT8985	SEAL INSTALLER	48	-
FT11259	MULTIMETER	49	-	FT8997	SHIM TOOL	48	-
FT11260	SPARK TESTER	49	-	FTA2937-1	TIMING TOOL	46	-
FT2938-1	CONTINUITY TESTER	49	-	FTK8999	TEST WHEEL	49	-
FT2951	CIRCUIT TRACER	49	-	22-818103--1	ELBOW, CYLINDER DRAIN LOWER	21	34
FT2953	SOCKET	47	-	32-817738A1	FUEL LINE LONG	41	10
FT2961	LUBRICANT - RYKON GREASE #2EP	50	-	33-818007--1	SPARK PLUG (CHAMPION UL18V) - USA	25	83
FT2962-2	SEALANT - 50 CC LOCTITE H, NON-HARDENING GRADE	50	-	39-818110A1	PISTON RINGS (2 PER SET) .030 OVERSIZE	27	-
FT2963-2	SEALANT - 2 OZ. LOCTITE 271	50	-	43-817854A2	BEVEL PINION GEAR	35	35
FT2987-1	LUBRICANT - ANTI-SEIZE	50	-	43-818068A2	BEVEL GEAR FRONT W/BEARING	35	29
FT2990	PISTON PIN TOOL	47	-	44-817962A2	PROPELLER SHAFT	33	24
FT2991	CARBON BRUSH	47	-	45-817961A6	DRIVESHAFT	37	-
FT2996	RING COMPRESSOR	47	-	45-817967A6	DRIVESHAFT	37	69
FT2998	TORQUE WRENCH (0 - 100 LBS./FT.)	47	-	46-817853A1	WATER PUMP	37	-
				46-817853A1	WATER PUMP BODY	35	60
				200-817865A1	FLYWHEEL	9	61
				597-	US MARINE OUTBOARD GEAR LUBE	52	-
				600-818052A4	CONNECTING ROD	27	6
				700-817988A2	PISTON .010 OVERSIZE	27	-
				700-818111A2	PISTON .030 OVERSIZE	27	-
				700-F372015-3	PISTON - STANDARD	27	2
				800-817864A6	CYLINDER	21	1

PARTS INDEX

Part Number	Description	Pg.	Ref. No.	Part Number	Description	Pg.	Ref. No.
800-818154A6	SHORTBLOCK	21	-				
1400-817958A6	STERN BRACKET	29	24				
1600-819196A3	GEAR HOUSING COMPLETE.	37	-				
1600-819197A3	GEAR HOUSING COMPLETE.	37	-				
F596-	US MARINE OUTBOARD OIL	52	-				