



# PARTS CATALOG

## MERC 4

### SERIAL NUMBER

40, 4 (GNAT 2 CYL.) .....	CAN 7085673 THRU 7146487
40, 4 (GNAT 2 CYL.) .....	BEL 9075839 THRU 9256980

# TABLE OF CONTENTS:

BOTTOM COWL .....	2
CARBURETOR ASSEMBLY .....	16
CLAMP AND SWIVEL BRACKET ASSEMBLY .....	28
CRANKSHAFT, PISTON AND CONNECTING ROD .....	22
CYLINDER BLOCK AND CRANKCASE ASSEMBLY .....	18
DRIVE SHAFT HOUSING ASSEMBLY .....	26
FLYWHEEL, STATOR AND MANUAL STARTER .....	6
FUEL TANK, FUEL LINES AND CARBURETOR .....	12
GEAR HOUSING ASSEMBLY (DRIVE SHAFT) .....	32
GEAR HOUSING ASSEMBLY (PROPELLER SHAFT) .....	36
MISCELLANEOUS PARTS/ACCESSORIES .....	1
PARTS INDEX .....	40
STEERING HANDLE ASSEMBLY .....	24
SWITCH BOX AND IGNITION COIL .....	10
TOP COWL .....	38

**NOTE:** Indented description indicate that these parts are included in preceding assembly.

**AR** = As Required

**NSS** = Not Sold Separate

**OPT** = Optional

**NS** = Not Shown

**NOTE:** Following symbols are located in **SYM** column.

● = CONTENTS OF GASKET AND PACKING SET

◇ = CONTENTS OF C-[27-77568A78] GASKET SET

■ = CONTENTS OF REPAIR PARTS KIT

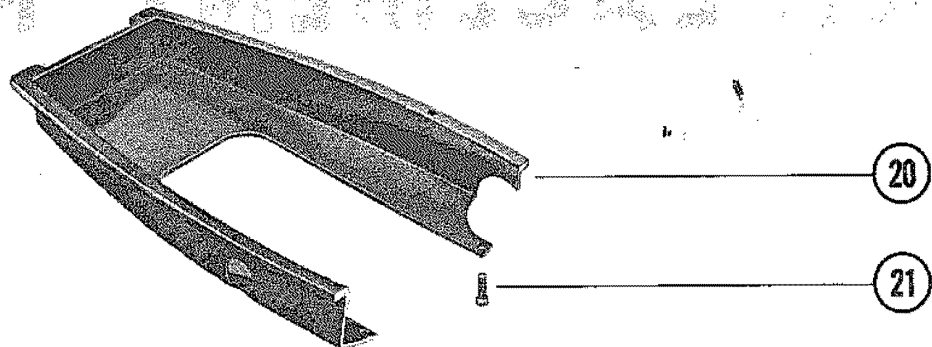
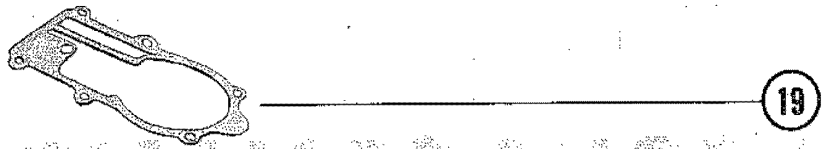
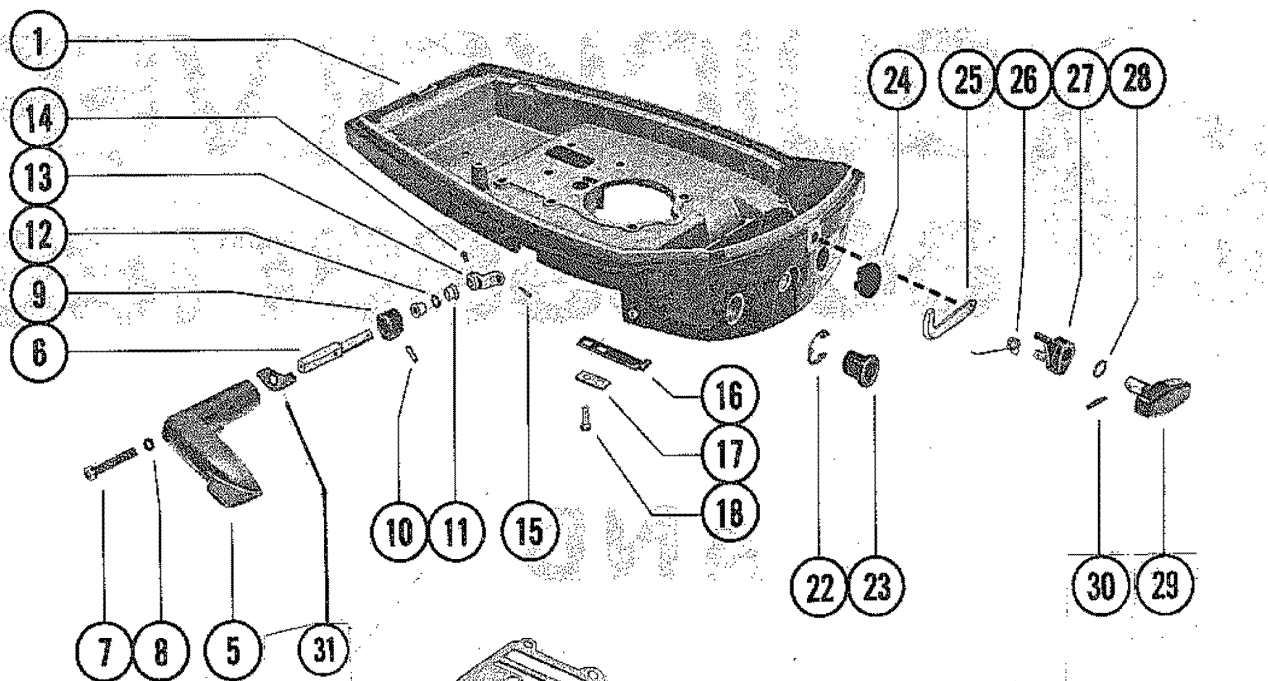
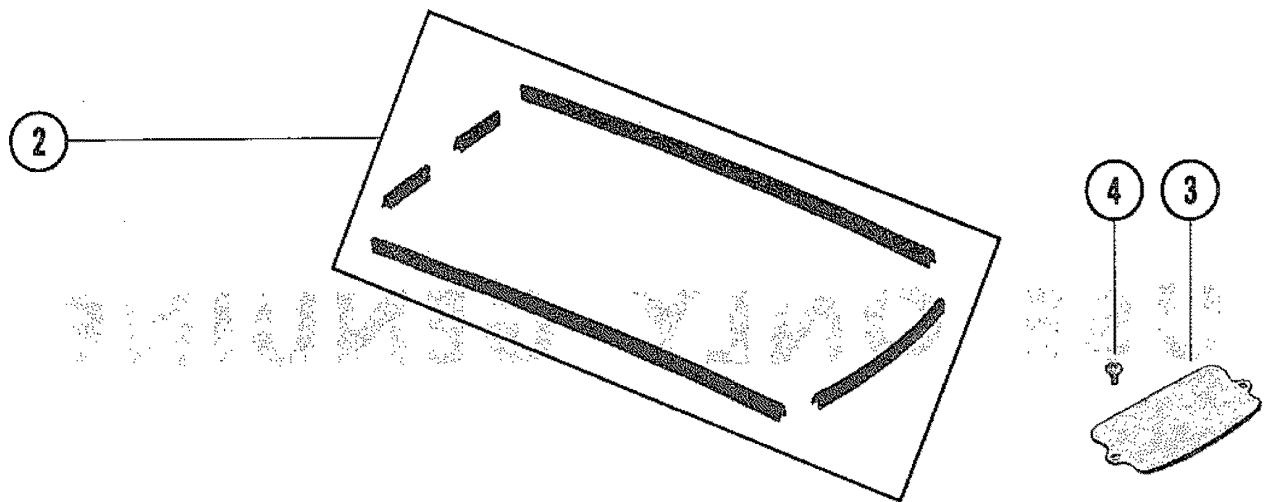
▣ = CONTENTS OF C-[27-68938A75] GASKET SET

**THESE PARTS BOOKS/FICHE CARD ARE COPYRIGHTED AND MAY NOT BE DISTRIBUTED OR REPRODUCED IN ANY OTHER FORMAT BY ANYONE OTHER THAN MERCURY MARINE WITHOUT THE PRIOR WRITTEN CONSENT OF MERCURY MARINE.**

# MISCELLANEOUS PARTS/ACCESSORIES

REF. NO.	PART NO.	SYM.	QTY.	DESCRIPTION
-	90-74059		0	MERC 4 PARTS MANUAL
-	37-73880A76		0	DECAL SET (SERIAL #9141798 AND BELOW)
-	37-73880A77		0	DECAL SET (SERIAL #9141798 THRU #9172805)
-	37-78600A78		0	DECAL SET (SERIAL #9172805 THRU #9208225)
-	37-86423A79		0	GASKET SET (SERIAL #9208226 AND UP)
-	27-68938A75		0	GASKET SET (SERIAL #9210545 AND BELOW) .
-	27-77568A78		0	GASKET SET (SERIAL #9210546 AND UP)
-	53238A19		0	FUEL PUMP KIT (REMOTE FUEL TANK)
-	75311A1		0	CONVERSION KIT (SHORT SHAFT TO LONG SHAFT)

# BOTTOM COWL



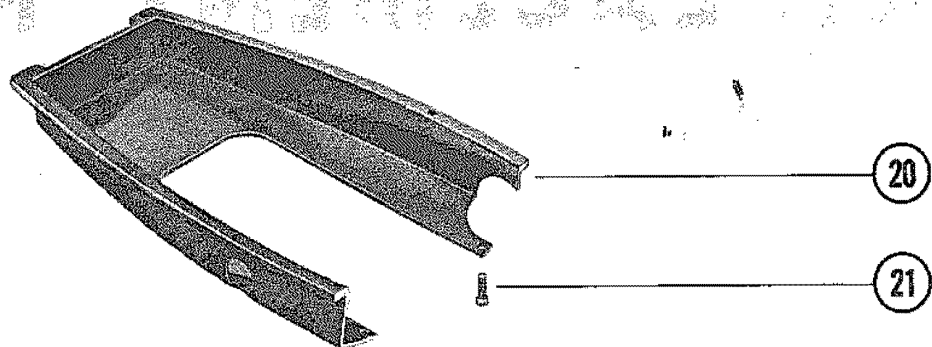
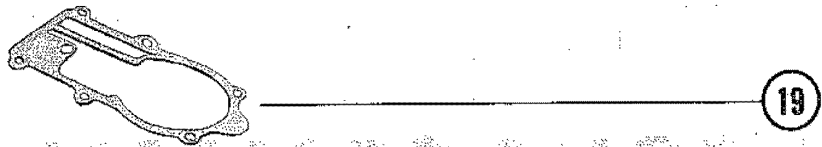
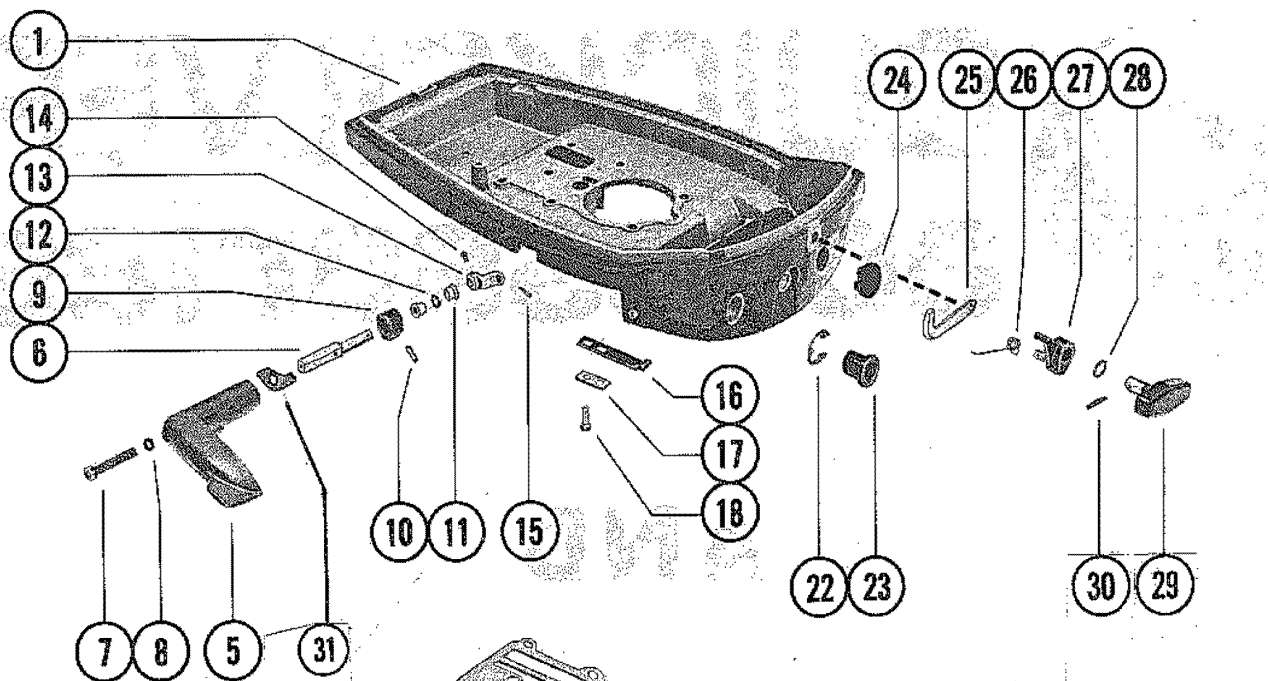
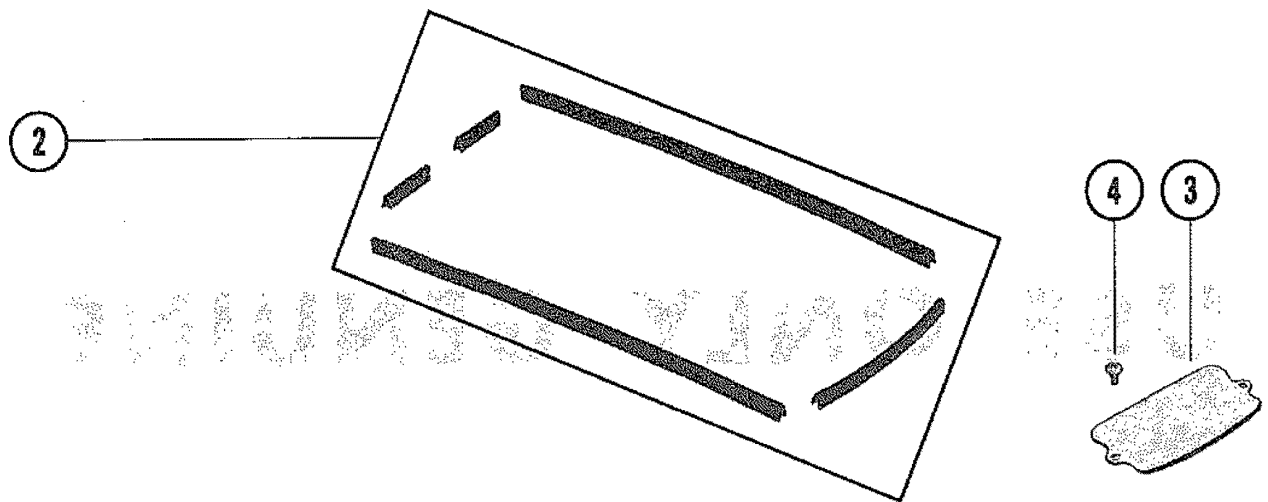
# BOTTOM COWL

REF. NO.	PART NO.	SYM.	QTY.	DESCRIPTION
1	2154-5621		1	BOTTOM COWL (SERIAL #9141798 AND BELOW)
	2154-6349		1	BOTTOM COWL (SERIAL #9141799 AND UP)
2	71493--3		5	MOLDING, BOTTOM COWL (2" - 6-1/2" - 15")
3	70455		1	COVER, BOTTOM COWL
4	10-69079		2	SCREW, COVER TO BOTTOM COWL (7/16")
5	70392		1	HANDLE, SHIFT SERIAL #9210545 AND BELOW
6	68977		1	SHAFT, SHIFT #9210545 AND BELOW
7	10-70182		1	SCREW, SHIFT HANDLE TO SHAFT (1 3/8") #9210545 AND BELOW
8	13-26994		1	LOCKWASHER, SHIFT HANDLE SCREW #9210545 AND BELOW
5	86055		1	HANDLE, SHIFT SERIAL #9210546 AND UP
6	86056A1		1	SHAFT, SHIFT #9210546 AND UP
7	10-69560		1	SCREW, SHIFT HANDLE TO SHAFT (1 1/4") #9210546 AND UP
8	13-26996		1	LOCKWASHER, SHIFT HANDLE SCREW #9210546 AND UP
9	66414		1	CAM, SHIFT DETENT
10	17-25905		1	ROLL PIN, CAM TO SHIFT SHAFT
11	23-26856		2	BUSHING, SHIFT SHAFT
12	25-20415		1	"O" RING, SHIFT SHAFT
13	72733		1	ARM, SHIFT
14	10-72734		1	SET SCREW, SHIFT ARM (5/16")
15	18-21071		1	COTTER PIN, SHIFT SHAFT
16	24-39627		1	SPRING, DETENT
17	39601		1	PLATE, DETENT SPRING
18	10-25764		2	SCREW, DETENT SPRING TO BOTTOM COWL (1/2")
19	27-68940	■	1	GASKET, DRIVE SHAFT HOUSING/BOTTOM COWL
20	69602		1	TRIM COVER SERIAL #9141798 AND BELOW
21	10-37571		6	SCREW, TRIM COVER TO BOTTOM COWL (1/2") SERIAL #9141798 AND BELOW
	10-75827		1	SCREW, TRIM COVER TO BOTTOM COWL SERIAL #9141798 AND BELOW
22	53-58656		1	"E" RING, RETAINER
23	70393		1	RETAINER, STARTER HANDLE (SERIAL #9190379 AND BELOW)
	78303		1	RETAINER, STARTER HANDLE (SERIAL #9190380 AND UP)
24	19-74258		1	PLUG, BOTTOM COWL - FUEL ADAPTOR
25	70462		1	ARM, LATCH CRANK
26	24-70459		1	SPRING, LATCH CRANK
27	75263		1	CRANK, FRONT LATCH

■ = CONTENTS OF C-[27-68938A75] GASKET SET

CONTINUED ON NEXT PAGE ➡

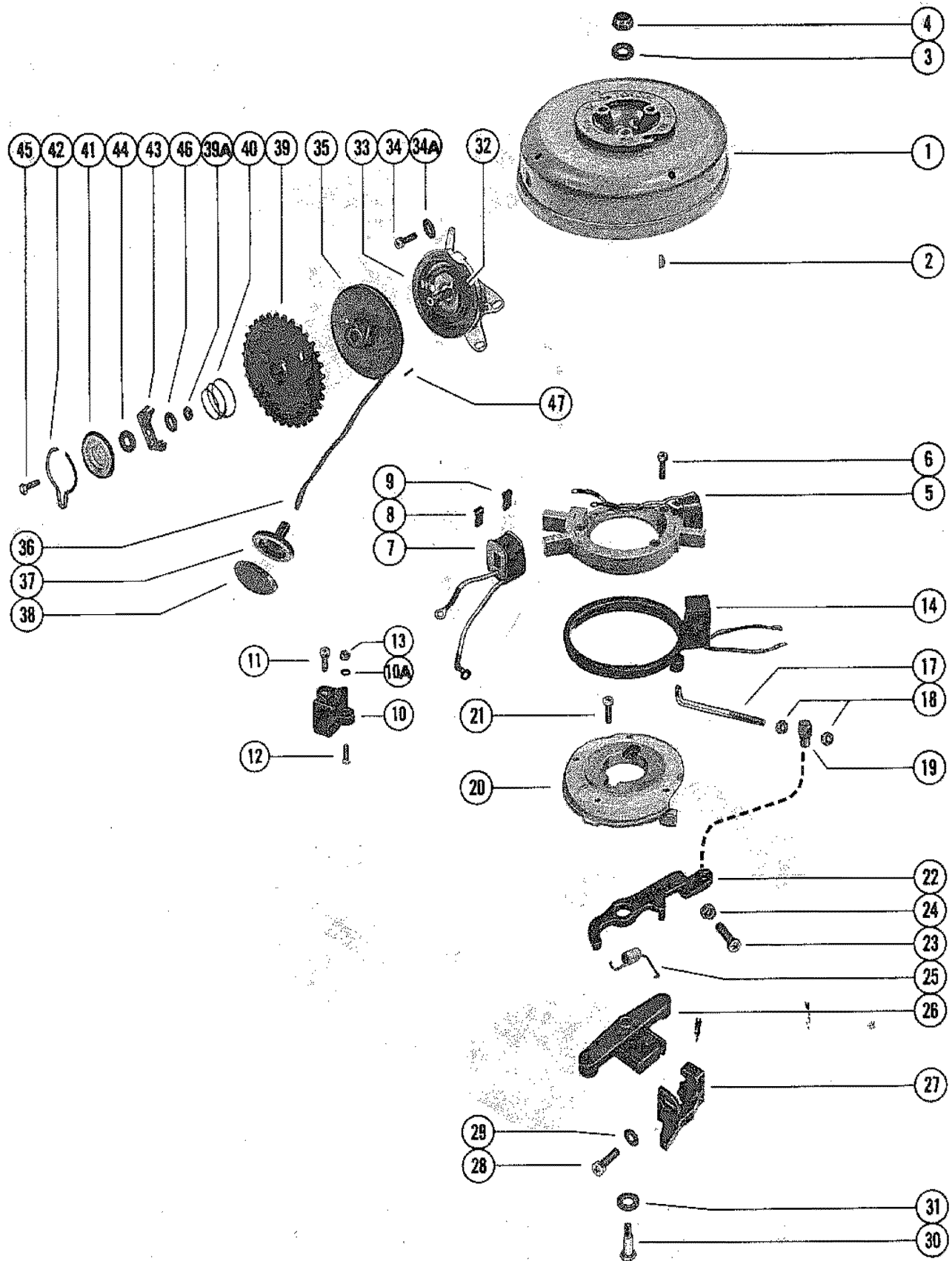
# BOTTOM COWL



# BOTTOM COWL

REF. NO.	PART NO.	SYM.	QTY.	DESCRIPTION
28	13-34632		1	WAVE WASHER, LATCH HANDLE
29	70460		1	HANDLE, LATCH BOTTOM COWL
30	17-38489		1	ROLL PIN, LATCH HANDLE TO CRANK
31	74802		1	STOP, SHIFT ARM
-	<b>27-68938A75</b>		<b>0</b>	<b>GASKET SET</b>

# FLYWHEEL, STATOR AND MANUAL STARTER



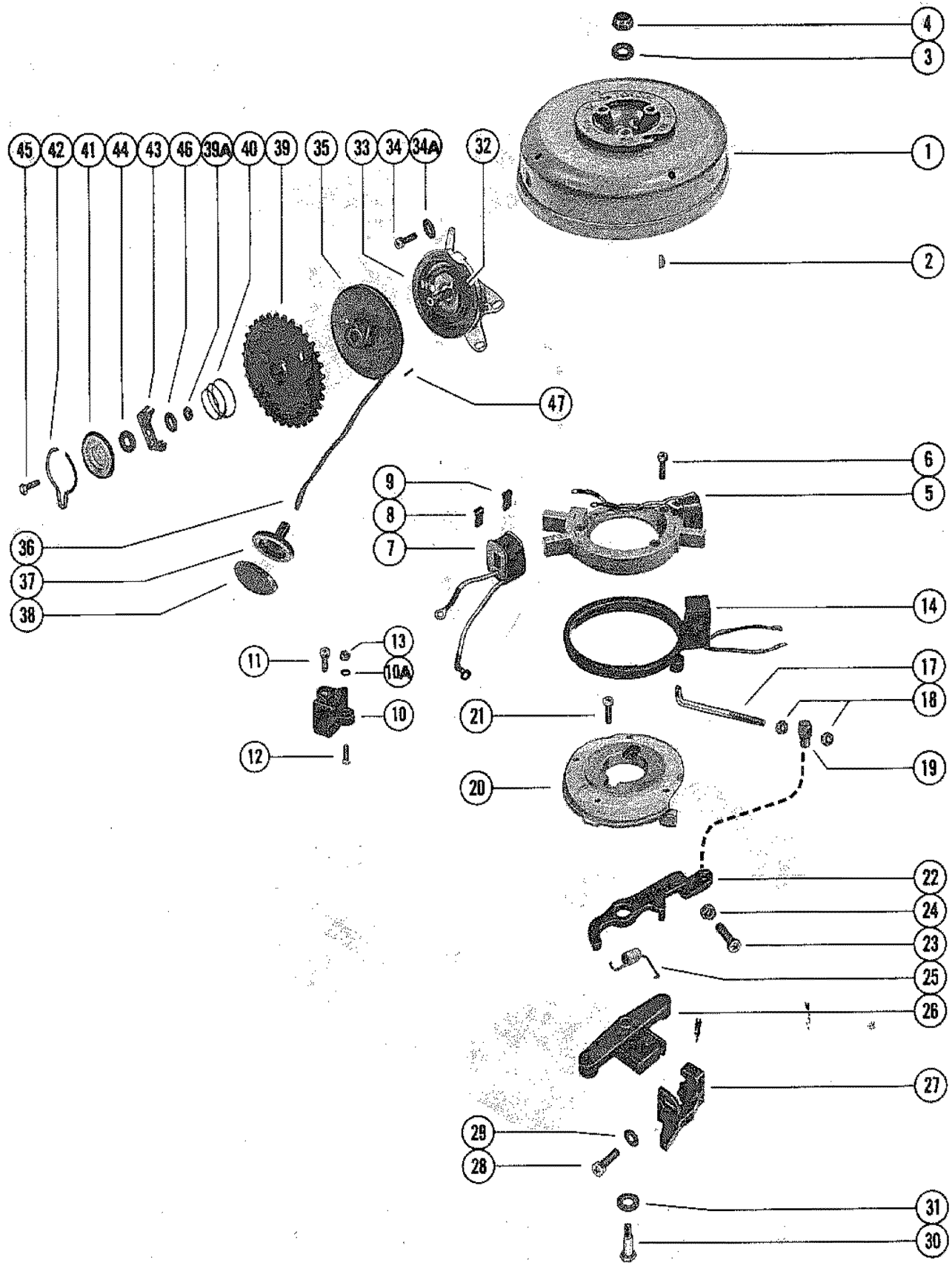


# FLYWHEEL, STATOR AND MANUAL STARTER

REF. NO.	PART NO.	SYM.	QTY.	DESCRIPTION
1	247-6575A2		1	FLYWHEEL ASSEMBLY
2	28-20094		1	KEY, FLYWHEEL DRIVE
3	12-25970		1	WASHER, FLYWHEEL
4	11-20509		1	NUT, FLYWHEEL
5	339-5566A5		1	STATOR ASSEMBLY
6	10-66707		3	SCREW, STATOR TO MOUNTING BRACKET (7/8")
7	339-5589A1		1	COIL ASSEMBLY (2 1/4" AND 4 1/4" LEADS)
	339-5590A1		1	COIL ASSEMBLY (3 3/8" AND 4 3/8" LEADS)
8	54-59538		2	CLIP, COIL RETAINING
9	54-65927		2	CLIP, COIL RETAINING
10	86-69348		1	TERMINAL BLOCK, STATOR
10A	13-58308		1	LOCKWASHER, TERMINAL BLOCK
11	10-22654		1	SCREW, LEADS TO TERMINAL BLOCK (3/8")
12	10-69347		1	SCREW, TERMINAL BLOCK TO STATOR (5/8")
13	11-46438		1	NUT, TERMINAL BLOCK SCREW
14	70426A2		1	TRIGGER ASSEMBLY
17	70414		1	LINK ROD, TRIGGER TO SPARK LEVER
18	11-68219		2	NUT, ADJUSTING LINK ROD
19	33973		1	SWIVEL BOLT, LINK ROD
20	70428		1	BRACKET, STATOR MOUNTING
21	10-25157		2	SCREW, STATOR MOUNTING BRACKET (7/16")
22	70422		1	LEVER, SPARK
23	10-62802		1	SCREW, ADJUSTING - SPARK LEVER (1 1/8")
24	11-21923		1	NUT, ADJUSTING SCREW
25	24-70418		1	SPRING, THROTTLE LEVER
26	70424		1	THROTTLE LEVER
27	70429		1	THROTTLE CAM
28	10-38055		1	SCREW <b>THROTTLE CAM TO THROTTLE LEVER (5/8")</b>
29	12-56681		1	WASHER, THROTTLE CAM SCREW (7/8")
30	10-38515		1	SCREW, SHOULDER (7/8")
31	12-21631		1	WASHER, SHOULDER SCREW
32	24-70167		1	SPRING, STARTER REWIND
33	70170A1		1	BRACKET ASSEMBLY, STARTER REWIND
34	10-37571		3	SCREW, BRACKET TO CYLINDER BLOCK (1/2")
34A	12-30164		2	WASHER, BRACKET TO CYLINDER BLOCK SCREW
35	77568		1	STARTER SHEAVE
36	50-71917A3		1	STARTER ROPE ASSEMBLY (INCLUDES 2 RIVETS)
37	70396		1	HANDLE, STARTER ROPE
38	70394		1	CAP, STARTER HANDLE
39	43-77514		1	PINION, STARTER REWIND
39A	12-30164		2	WASHER, PINION
40	24-70288		1	SPRING, PINION
41	72697		1	RETAINER, PINION SPRING

CONTINUED ON NEXT PAGE ➡

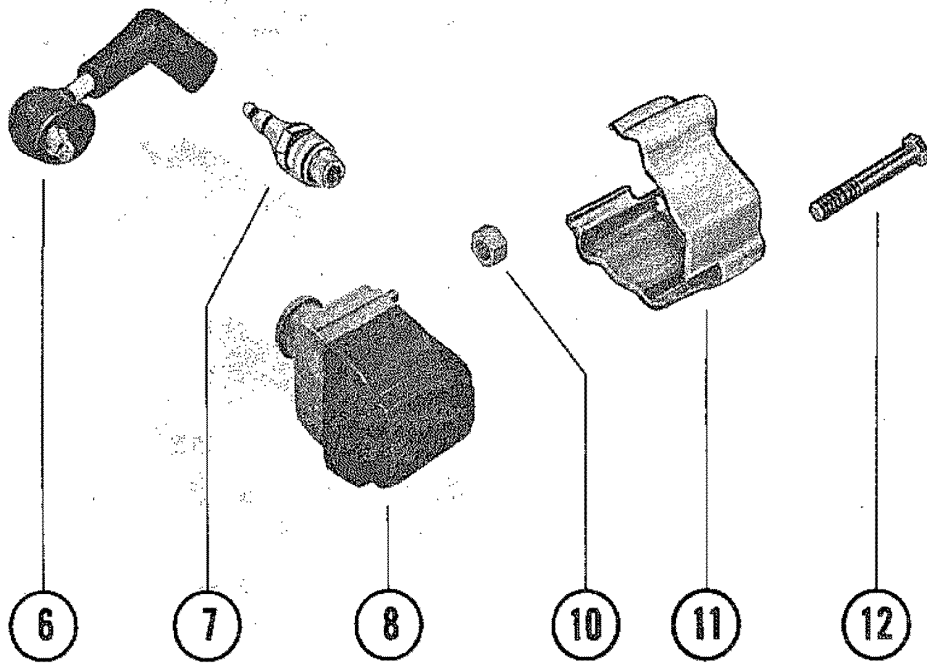
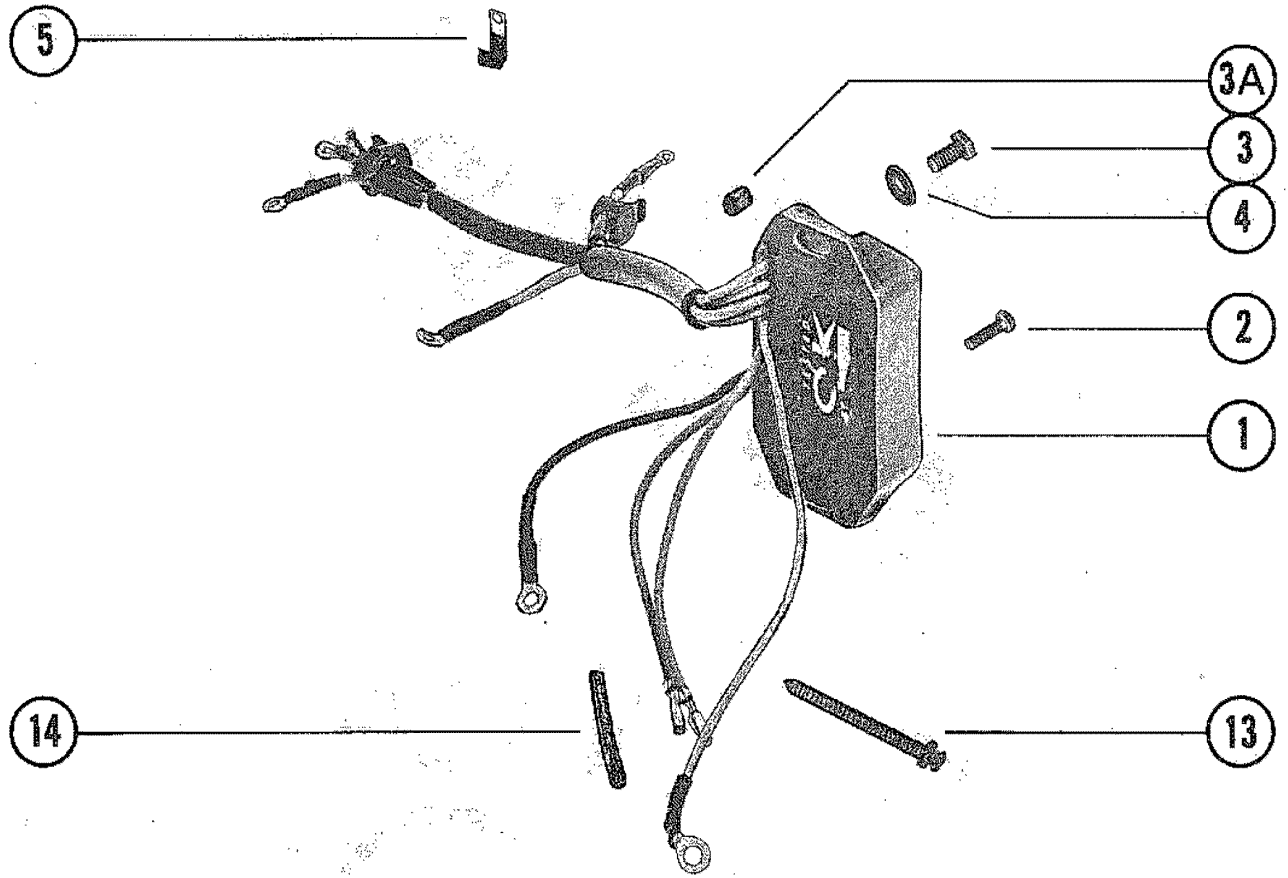
# FLYWHEEL, STATOR AND MANUAL STARTER



# FLYWHEEL, STATOR AND MANUAL STARTER

REF. NO.	PART NO.	SYM.	QTY.	DESCRIPTION
42	24-77511		1	SPRING, TORSION - PINION
43	77512		1	HOLDER, SPRING
44	23-77513		1	SPACER, SPRING HOLDER (SERIAL #9189789 AND BELOW)
	23-78894		1	SPACER, SPRING HOLDER (SERIAL #9189790 AND UP)
45	10-70181		1	SCREW, SPRING RETAINER (5/8")
46	12-56681		1	WASHER, SPRING RETAINER
47	17-70180		2	RIVET, STARTER SHEAVE

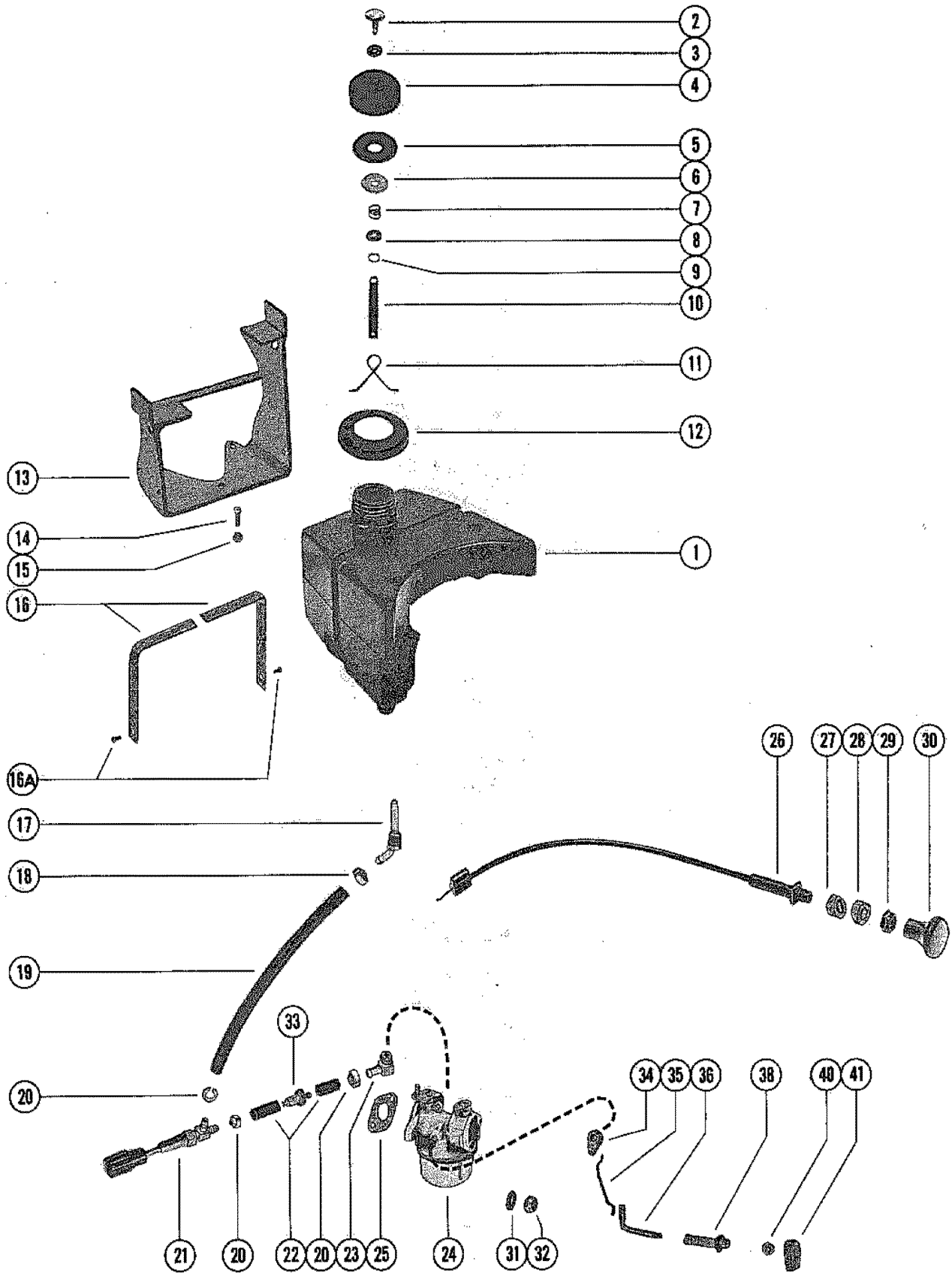
# SWITCH BOX AND IGNITION COIL



## SWITCH BOX AND IGNITION COIL

REF. NO.	PART NO.	SYM.	QTY.	DESCRIPTION
1	339-6222A8		1	SWITCH BOX ASSEMBLY
2	10-45218		1	SCREW, SWITCH BOX GROUND (3/8")
3	10-22523		2	SCREW, SWITCH BOX (3/4")
3A	23-26731		2	SPACER, SWITCH BOX SCREW (EARLY MODELS)
4	12-56681		2	WASHER, SWITCH BOX SCREW
5	54-63153		1	"J" CLIP, SWITCH BOX LEAD
6	84-76223--8		2	WIRE, HIGH TENSION
	33-72983		2	SPARK PLUG (USE IN BELGIUM AND CANADA)
7	33-48370		2	SPARK PLUG (USE IN UNITED STATES)
8	339-5288A2		2	IGNITION COIL ASSEMBLY
10	11-45076		4	NUT, IGNITION COIL TERMINAL
11	76254		2	COIL COVER
12	10-76502		6	SCREW, COIL COVER (1 7/8")
13	61990		1	STA-STRAP, SWITCH BOX LEADS
14	57908--2		2	SLEEVE, SWITCH BOX LEADS

# FUEL TANK, FUEL LINES AND CARBURETOR



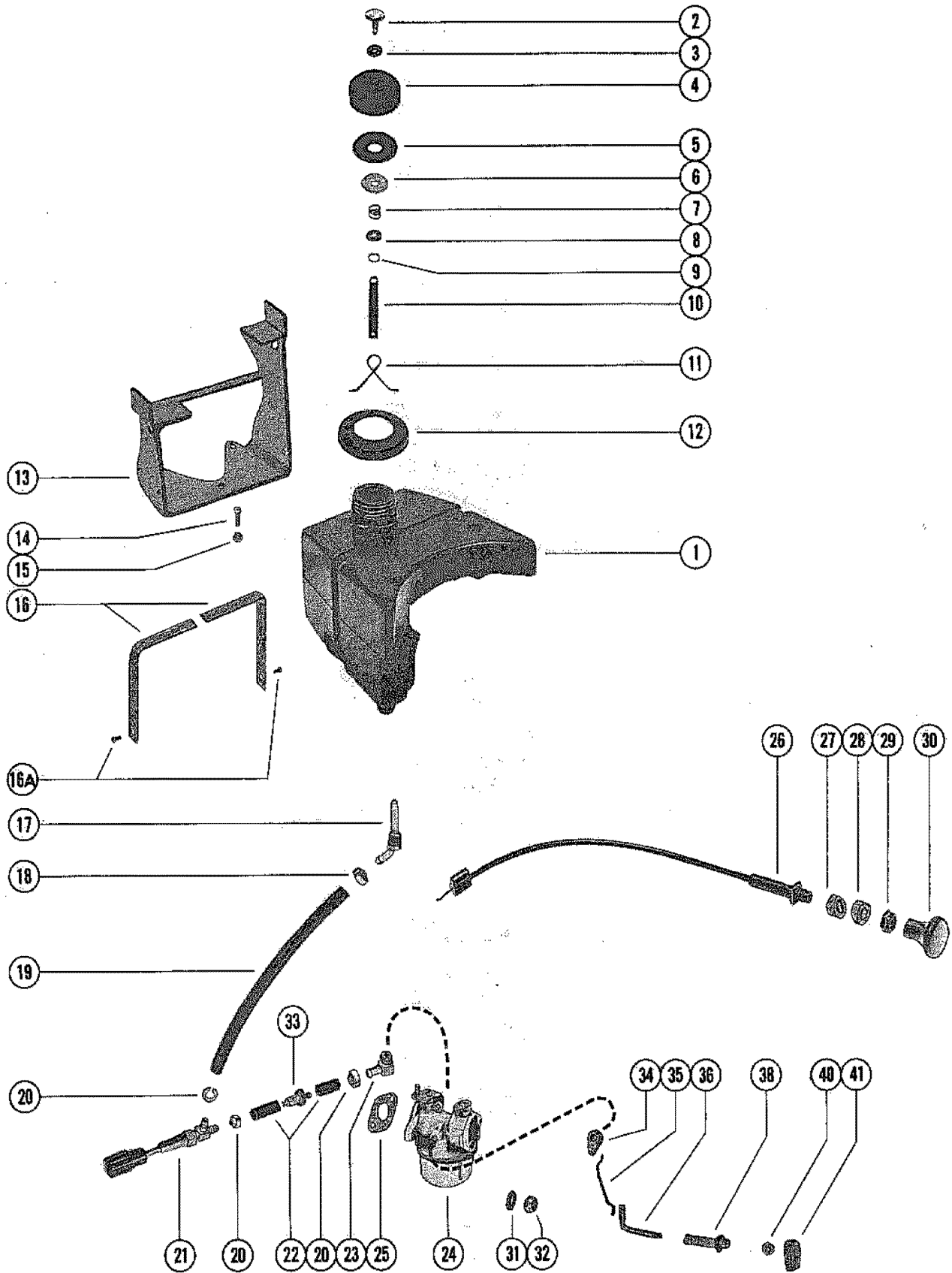
# FUEL TANK, FUEL LINES AND CARBURETOR

REF. NO.	PART NO.	SYM.	QTY.	DESCRIPTION
1	1248-6114		1	FUEL TANK (SERIAL #9191588 AND BELOW)
	1248-6628		1	FUEL TANK (SERIAL #9191589 AND UP)
2	10-70298		1	SCREW, VENT - FUEL CAP
3	12-49221		1	WASHER, VENT SCREW
4	36-75338		1	CAP, FUEL <b>SERIAL #9191588 AND BELOW</b>
5	27-70297	■	1	GASKET, FUEL CAP <b>SERIAL #9191588 AND BELOW</b>
4	36-78573		1	CAP, FUEL SERIAL <b>SERIAL #9191589 AND UP</b>
5	27-78577	◇	1	GASKET, FUEL CAP <b>SERIAL #9191589 AND UP</b>
6	12-38255		1	WASHER, FUEL CAP
7	24-22227		1	SPRING, FUEL CAP
8	12-57029		1	WASHER, FUEL CAP
9	18-21071		1	PIN, FUEL CAP - RING
10	75237--3		1	CHAIN, FUEL CAP
11	24-70294	■	1	SPRING, FUEL CAP - RETAINING <b>SERIAL #9191588 AND BELOW</b>
12	27-70554		1	GASKET, FUEL TANK TO COWL <b>SERIAL #9191588 AND BELOW</b>
13	73973		1	BRACKET, FUEL TANK AND IGNITION COIL <b>SERIAL #9191588 AND BELOW</b>
11	24-85767		1	SPRING, FUEL CAP - RETAINING <b>SERIAL #9191589 AND UP</b>
12	27-78578		1	GASKET, FUEL TANK TO COWL <b>SERIAL #9191589 AND UP</b>
13	78579		1	BRACKET, FUEL TANK AND IGNITION COIL <b>SERIAL #9191589 AND UP</b>
14	10-37571		3	SCREW, BRACKET TO CYLINDER BLOCK (1/2")
15	11-45812		3	NUT, BRACKET SCREW
16	75689A1		1	STRAP ASSEMBLY, FUEL TANK ATTACHING
16A	10-26668		2	SCREW <b>STRAP ASSEMBLY TO FUEL TANK BRACKET</b>
17	22-70997		1	FITTING, FUEL TANK (FILTER)
18	54-68725		1	CLAMP, FUEL LINE TO FITTING
19	32-70432		1	FUEL LINE, FUEL TANK TO VALVE (8")
20	54-68424		6	CLAMP, FUEL LINE ATTACHING
21	20-70555		1	VALVE <b>FUEL SHUT OFF (SERIAL #9191588 AND BELOW)</b>
22	32-70432		2	FUEL LINE <b>VALVE TO CARBURETOR (4" AND 1-1/2")</b>
23	22-64704		1	FITTING, CARBURETOR TO FUEL LINE (90 DEG.)
24	1377-6566		1	CARBURETOR
25	27-70417		1	GASKET, CARBURETOR MOUNTING
26	78076		1	CHOKE CABLE (ROUND SHOULDER)
	70557		1	CHOKE CABLE (SQUARE SHOULDER)
27	77999		1	SPACER, CHOKE KNOB - INNER <b>USE WITH ROUND SHOULDERED CHOKE</b>
28	78000		1	SPACER, CHOKE KNOB - OUTER <b>USE WITH ROUND SHOULDERED CHOKE</b>
29	11-78045		1	NUT, LOCKING - CHOKE CABLE

■ = CONTENTS OF C-[27-68938A75] GASKET SET  
 ◇ = CONTENTS OF C-[27-77568A78] GASKET SET

CONTINUED ON NEXT PAGE ➡

# FUEL TANK, FUEL LINES AND CARBURETOR

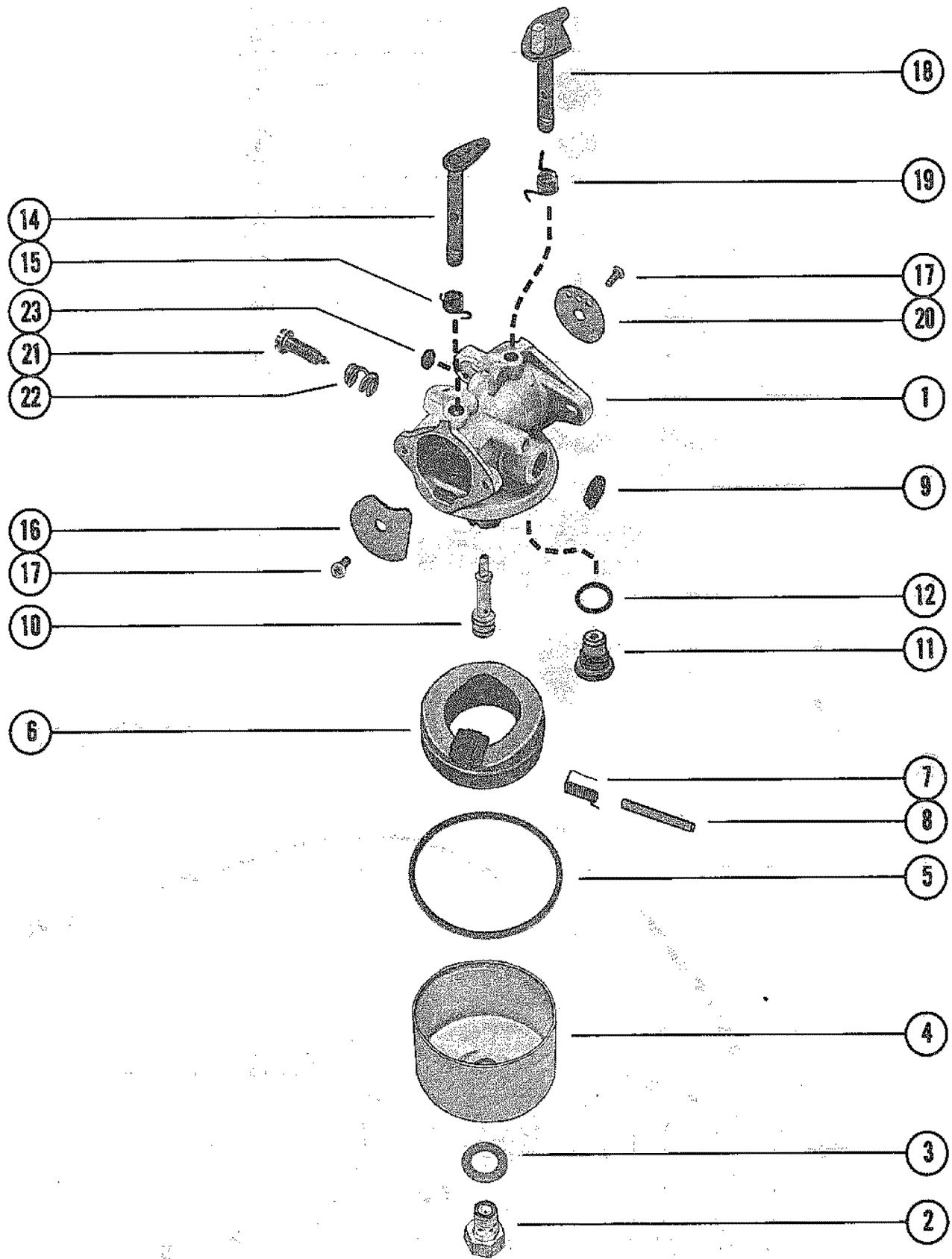




## FUEL TANK, FUEL LINES AND CARBURETOR

REF. NO.	PART NO.	SYM.	QTY.	DESCRIPTION
30	86874		1	KNOB, CHOKE CABLE
31	12-38753		2	WASHER, CARBURETOR STUD
32	11-36069		2	NUT, CARBURETOR STUD
33	35-76934		1	FUEL FILTER
34	78049		1	LEVER, IDLE ADJUSTMENT
35	78046		1	LINK, IDLE ADJUSTMENT
36	78048		1	SHAFT, IDLE ADJUSTMENT
38	23-78047		1	SLEEVE, IDLE ADJUSTMENT
40	11-78045		1	NUT, CHOKE KNOB
41	78050		1	KNOB, CHOKE
	76623		1	BRACKET, FUEL TANK (LONG SHAFT)
-	<b>27-68938A75</b>		<b>0</b>	<b>GASKET SET</b>
-	<b>27-77568A78</b>		<b>0</b>	<b>GASKET SET</b>

# CARBURETOR ASSEMBLY



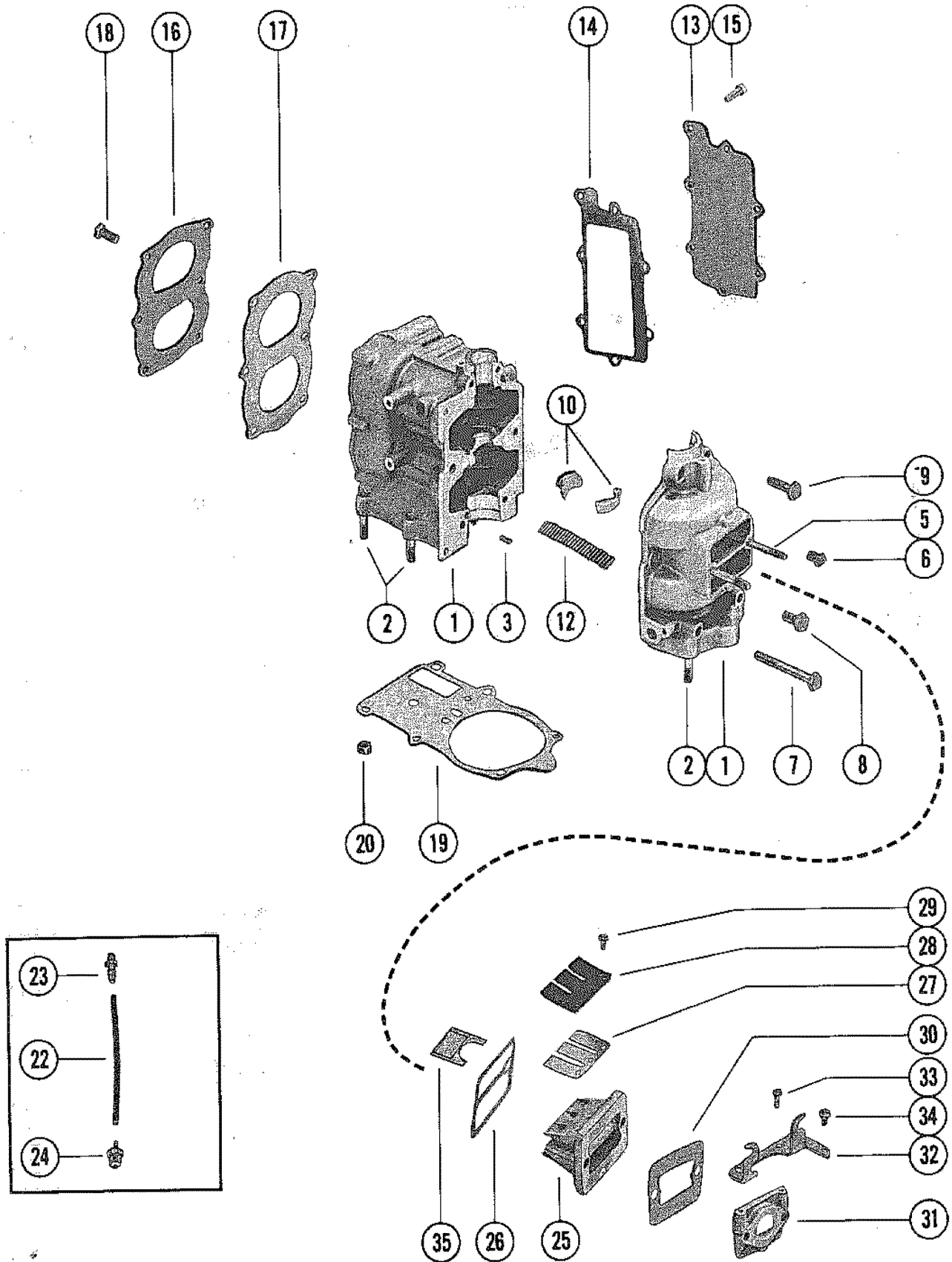
# CARBURETOR ASSEMBLY

REF. NO.	PART NO.	SYM.	QTY.	DESCRIPTION
1	1377-6566		1	CARBURETOR ASSEMBLY
2	1395-6043		1	RETAINER, JET (.041)
3		●■	2	GASKET, JET RETAINER
4	1395-5893		1	FUEL BOWL
5		●	1	GASKET, FUEL BOWL
6	1395-5898		1	FLOAT
7	1395-5904		1	SPRING, FLOAT
8		■	1	PIN, FLOAT
9	1395-4805		1	SCREEN, FILTER
10	1395-5900		1	NOZZLE
11		■	1	INLET NEEDLE, SEAT AND GASKET
12		●■	1	GASKET, INLET NEEDLE AND SEAT
14	1395-5896		1	SHAFT, CHOKE
15	1395-5905		1	SPRING, CHOKE RETURN
16	1395-5897		1	VALVE, CHOKE
17	1395-5902		2	SCREW, VALVE
18	1395-5894		1	SHAFT, THROTTLE
19	1395-5903		1	SPRING, THROTTLE RETURN
20	1395-6480		1	VALVE, THROTTLE
21		■	1	NEEDLE, IDLE
22	1395-6103		1	SPRING, IDLE NEEDLE
23		■	1	WELCH PLUG, CARBURETOR (5/16")
		■	2	CUP PLUG, CARBURETOR
	1395-5901	■	1	GASKET SET
	1395-6618		1	REPAIR PARTS KIT

● = CONTENTS OF GASKET AND PACKING SET

■ = CONTENTS OF REPAIR PARTS KIT

# CYLINDER BLOCK AND CRANKCASE ASSEMBLY



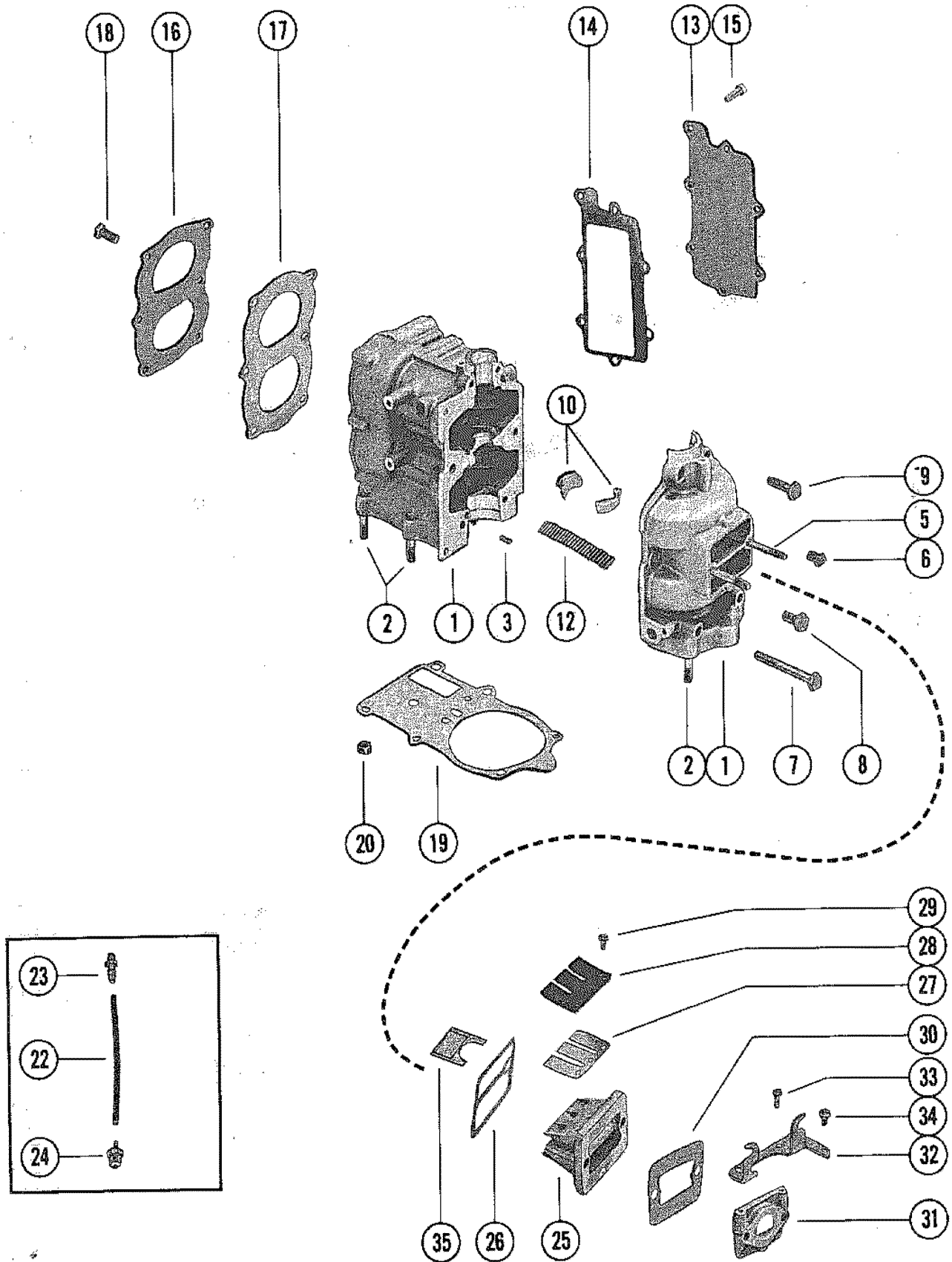
# CYLINDER BLOCK AND CRANKCASE ASSEMBLY

REF. NO.	PART NO.	SYM.	QTY.	DESCRIPTION
1	862-5617A4		1	BLOCK AND CRANKCASE ASS'Y SERIAL #9210545 AND BELOW
	862-6501A2		1	BLOCK AND CRANKCASE ASS'Y SERIAL #9210546 AND UP
2	16-56766		6	STUD, POWERHEAD (1 3/8") SERIAL #9210545 AND BELOW
	16-72809		6	STUD, POWERHEAD (1 5/8") SERIAL #9210546 AND UP
3	17-46912		2	PIN, CYLINDER BLOCK
5	16-20353		2	STUD, REED BLOCK AND CARBURETOR
6	22-56800		1	PLUG, PIPE - CYLINDER BLOCK
7	10-70732		2	SCREW, CRANKCASE TO CYLINDER BLOCK (2")
8	10-28635		2	SCREW, CRANKCASE TO CYLINDER BLOCK (5/8")
9	10-28667		2	SCREW, CRANKCASE TO CYLINDER BLOCK (1")
10	68953A1		1	LINER ASSEMBLY, CYLINDER BLOCK
12	29-71840		25	NEEDLE BEARING, CENTER MAIN
13	77178		1	COVER, EXHAUST MANIFOLD SERIAL #9210545 AND BELOW
14	27-74392	■	1	GASKET, EXHAUST MANIFOLD COVER SERIAL #9210545 AND BELOW
15	10-32228		8	SCREW, EXHAUST MANIFOLD COVER (5/8") SERIAL #9210545 AND BELOW
13	77585		1	COVER, EXHAUST MANIFOLD SERIAL #9210546 AND UP
14	27-77586		1	GASKET, EXHAUST MANIFOLD COVER SERIAL #9210546 AND UP
15	10-32228		10	SCREW, EXHAUST MANIFOLD COVER (5/8") SERIAL #9210546 AND UP
16	1027-5546		1	COVER, CYLINDER BLOCK
17	27-68942	■	1	GASKET, CYLINDER BLOCK COVER
18	10-32228		6	SCREW, CYLINDER BLOCK COVER (5/8")
19	27-68941	■	1	GASKET, BLOCK TO BOTTOM COWL
20	11-46887		6	NUT, POWERHEAD STUDS
22	32-54936		1	HOSE, BLEED
23	22-65857		1	FITTING ADAPTOR
24	21-64871A2		1	CHECK VALVE ASSEMBLY, CRANKCASE
25	69498		1	REED BLOCK
26	27-70415	■	1	GASKET, CRANKCASE TO REED BLOCK
27	34-69499A1		1	REED ASSEMBLY
28	34-69500		2	REED STOP
29	10-28430		6	SCREW, REED AND REED STOP (1/4")
30	27-70416	■	1	GASKET, REED BLOCK TO ADAPTOR
31	70420		1	ADAPTOR, CARBURETOR TO REED BLOCK
32	70413		1	BRACKET, CABLE MOUNTING (SERIAL #9210595 AND BELOW)

■ = CONTENTS OF C-[27-68938A75] GASKET SET

CONTINUED ON NEXT PAGE ➡

# CYLINDER BLOCK AND CRANKCASE ASSEMBLY

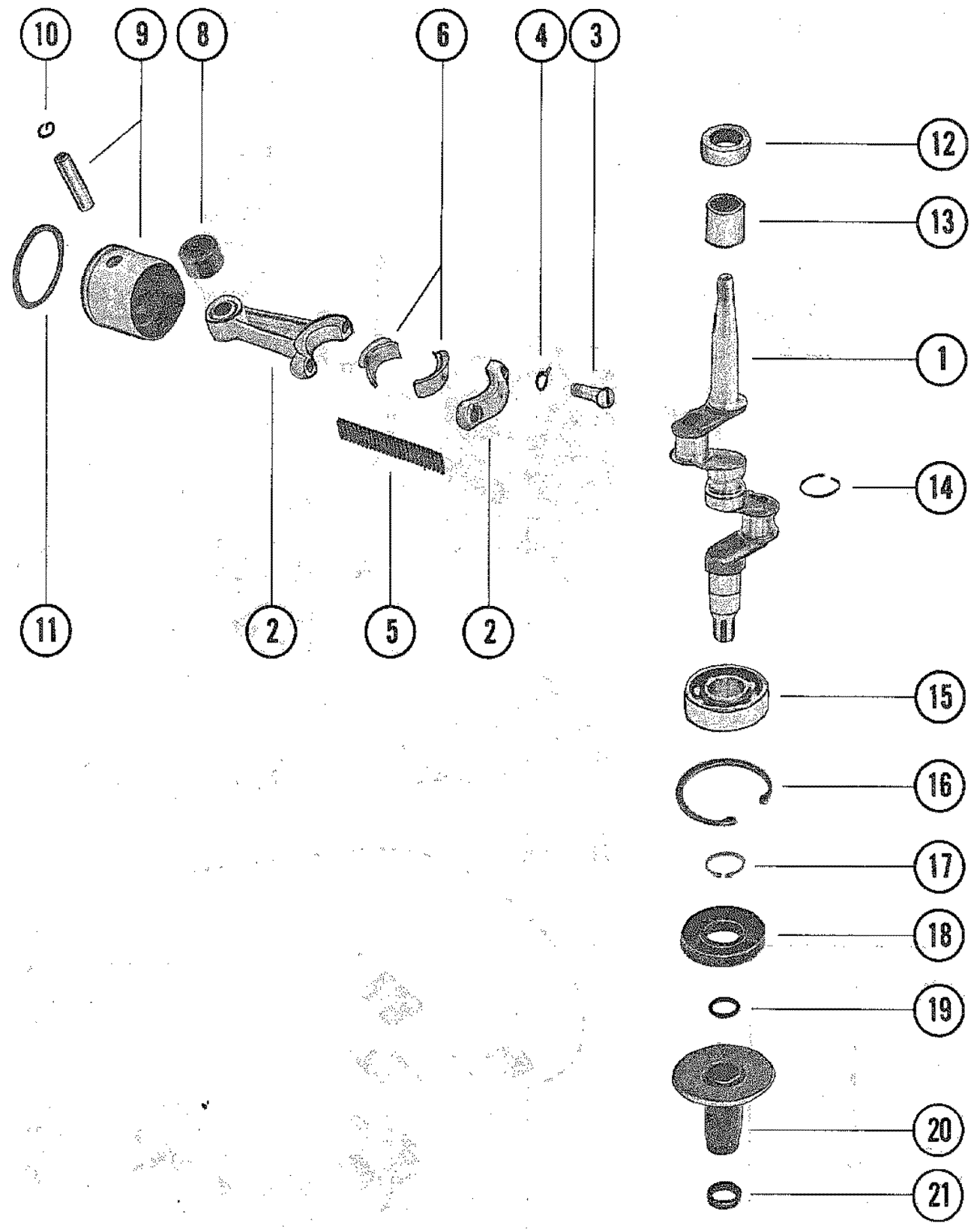


## CYLINDER BLOCK AND CRANKCASE ASSEMBLY

REF. NO.	PART NO.	SYM.	QTY.	DESCRIPTION
32	79746		1	BRACKET, CABLE MOUNTING ( <b>SERIAL #9210596 AND UP</b> )
33	10-69022		2	SCREW, BRACKET TO ADAPTOR (1/2")
34	10-20055		1	SCREW, CABLE MOUNTING BRACKET (7/16")
35	74777		1	FILLER BLOCK, REED BLOCK TO CRANKCASE ( <b>EARLY MODELS</b> )
-	<b>27-68938A75</b>		<b>0</b>	<b>GASKET SET</b>

FOR REPLACEMENT OF POWERHEAD ASSEMBLY, COMPLETE, WHICH INCLUDES CYLINDER BLOCKS, CRANKCASE, CONNECTING RODS, AND BEARINGS, ETC. ORDER: A-[72530A77] POWERHEAD ASSEMBLY (SERIAL #9210545 AND BELOW); A-[72530A78] POWERHEAD ASSEMBLY (SERIAL #9210546 AND UP)

# CRANKSHAFT, PISTON AND CONNECTING ROD



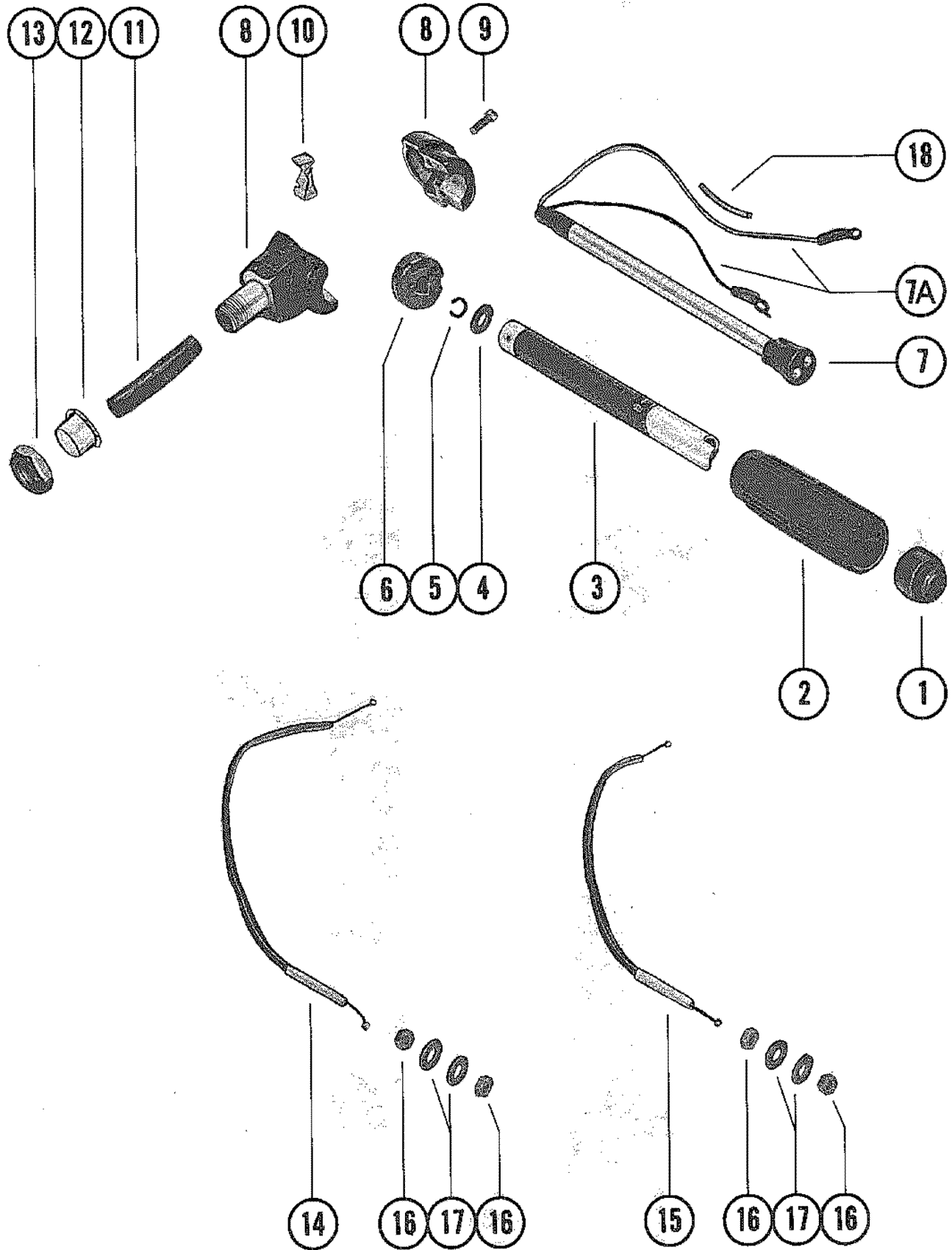


## CRANKSHAFT, PISTON AND CONNECTING ROD

REF. NO.	PART NO.	SYM.	QTY.	DESCRIPTION
1	458-5549		1	CRANKSHAFT
2	626-5547A5		2	CONNECTING ROD ASSEMBLY
3	10-72455		4	SCREW, CONNECTING ROD
4	14-72454		4	TAB WASHER, CONNECTING ROD SCREW
5	29-68944		50	NEEDLE BEARING, CONNECTING ROD
6	68953A1		2	LINER ASSEMBLY, CONNECTING ROD - CRANKPIN
8	31-68949		2	ROLLER BEARING, CONNECTING ROD - PISTON PIN
9	758-6248A2		2	PISTON ASSEMBLY
10	40-68950		4	LOCK RING, PISTON
11	39-70175A12		1	PISTON RING ASSEMBLY
12	26-30530		1	OIL SEAL, CRANKSHAFT - UPPER
13	31-78099		1	ROLLER BEARING, CRANKSHAFT - UPPER
14	71841		1	RING, CRANKSHAFT
15	30-69389		1	BALL BEARING, CRANKSHAFT - LOWER
16	53-68952		1	RETAINING RING, BALL BEARING - LARGE
17	53-27275		1	RETAINING RING, BALL BEARING - SMALL
18	26-77494		1	OIL SEAL, CRANKSHAFT
19	25-62706	■	1	"O" RING, CRANKSHAFT
20	70786A1		1	COUPLING ASSEMBLY, CRANKSHAFT
21	26-76266	■	1	SEAL, COUPLING
-	<b>27-68938A75</b>		<b>0</b>	<b>GASKET SET</b>

■ = CONTENTS OF C-[27-68938A75] GASKET SET

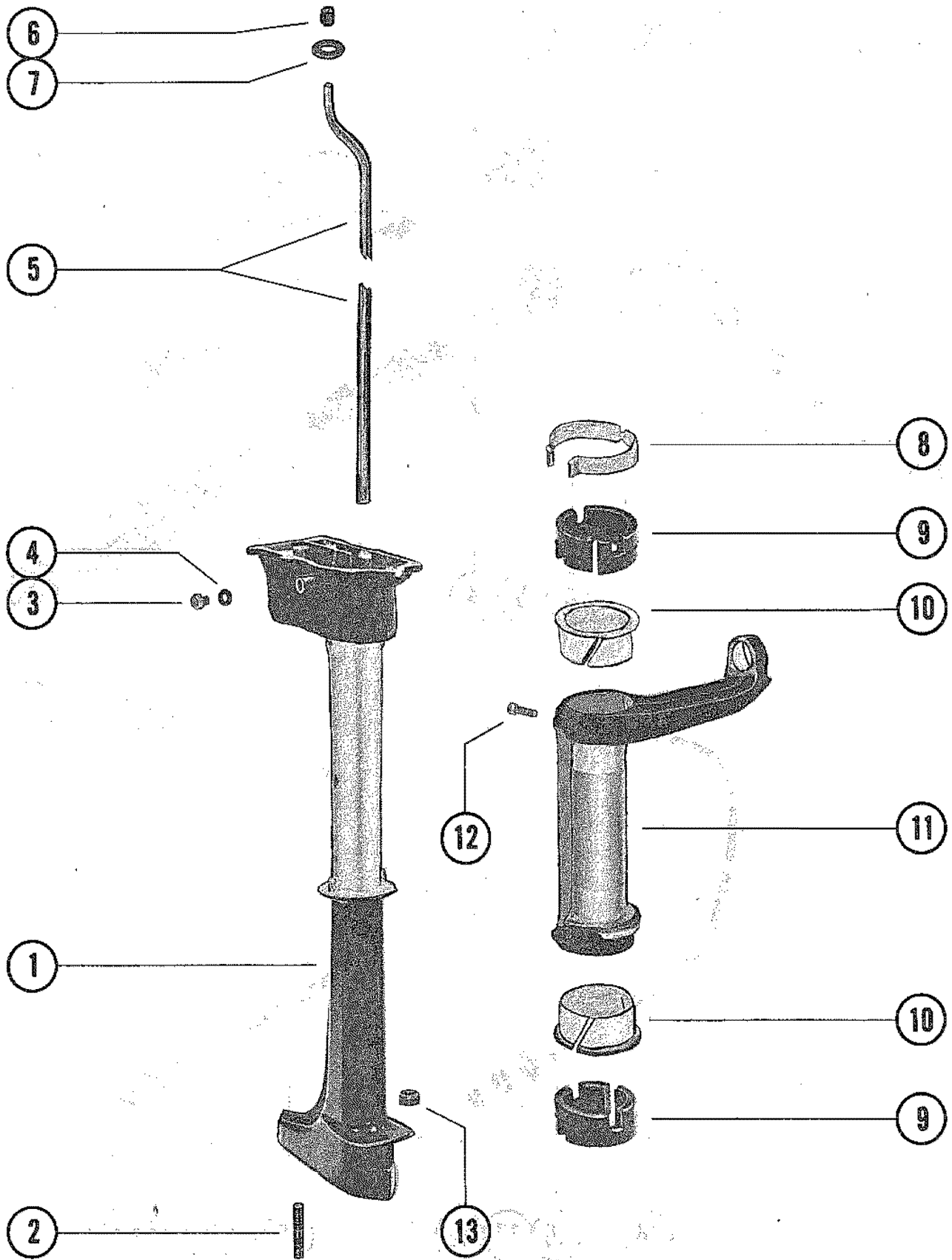
# STEERING HANDLE ASSEMBLY



## STEERING HANDLE ASSEMBLY

REF. NO.	PART NO.	SYM.	QTY.	DESCRIPTION
1	55741A1		1	BOOT ASSEMBLY, HANDLE
2	70382		1	GRIP, HANDLE
3	70383		1	ARM, HANDLE
4	12-31433		1	WASHER, HANDLE
5	53-70384		1	RETAINING RING, HANDLE
6	70386		1	PULLEY, STEERING CABLE
7	70385		1	SHAFT, HANDLE
7A	84-70671A1		1	HARNESS ASSEMBLY, STOP SWITCH
8	70389A2		1	BRACKET ASSEMBLY, HANDLE
9	10-37978		2	SCREW, HANDLE BRACKET (3/4")
10	70390		1	RETAINER, CABLE
11	85-70857--1		1	INSULATOR, CABLE
12	23-70391		1	BUSHING, HANDLE BRACKET
13	11-73784		1	NUT, HANDLE BRACKET
14	70571		1	CABLE, THROTTLE ADVANCE
15	70572		1	CABLE, THROTTLE RETARD
16	11-21825		4	NUT, THROTTLE CABLE
17	12-37998		4	WASHER, THROTTLE CABLE
18	332-2865-4		1	SLEEVE, STOP SWITCH HARNESS

# DRIVE SHAFT HOUSING ASSEMBLY

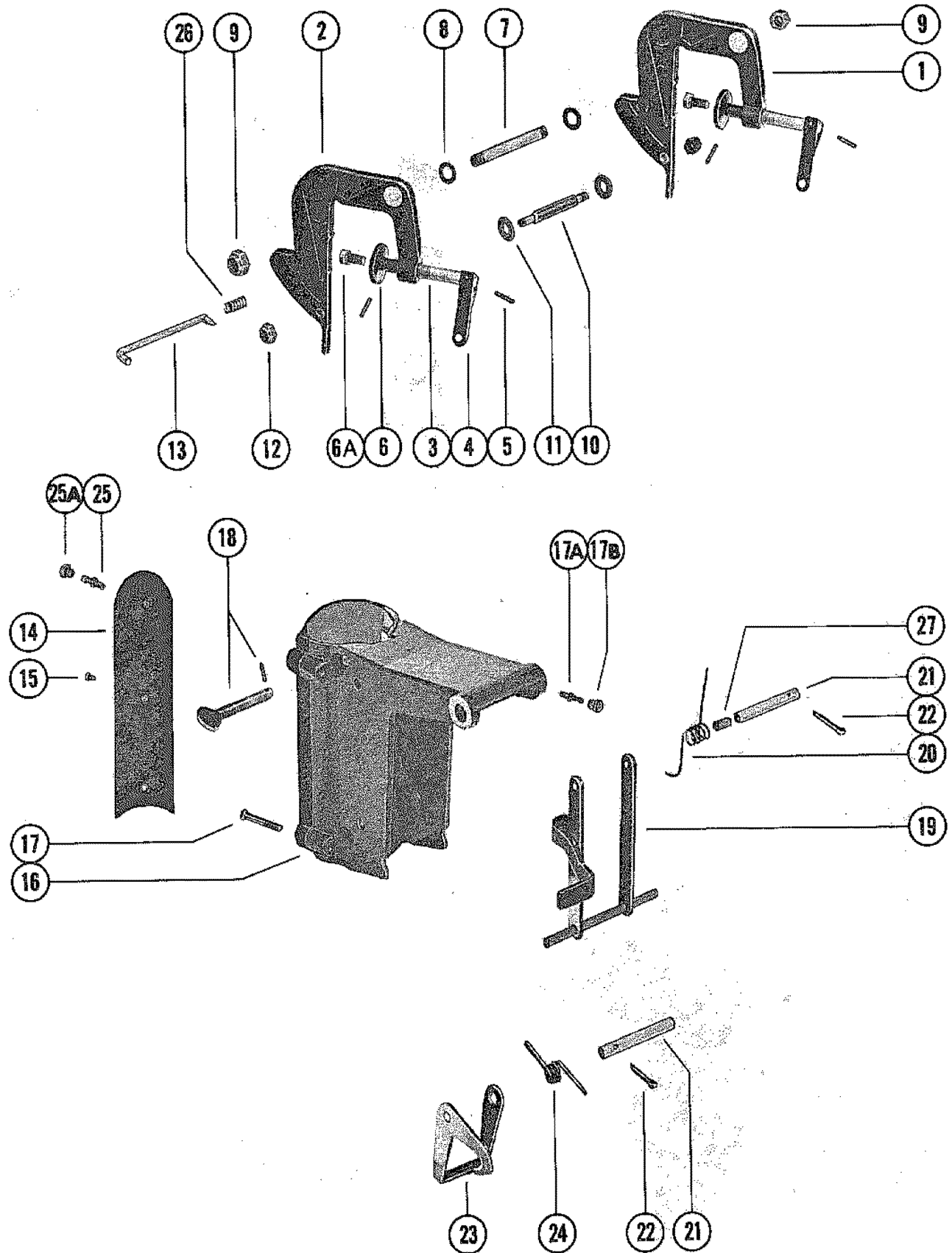


# DRIVE SHAFT HOUSING ASSEMBLY

REF. NO.	PART NO.	SYM.	QTY.	DESCRIPTION
1	1580-5557A1		1	DRIVE SHAFT HOUSING ASSEMBLY <b>SERIAL #9210595 AND BELOW</b>
	1580-6673A2		1	DRIVE SHAFT HOUSING ASSEMBLY <b>SERIAL #9210596 AND UP</b>
2	16-68927		1	STUD, DRIVE SHAFT HOUSING (SHORT SHAFT)
	16-75321		1	STUD, DRIVE SHAFT HOUSING (LONG SHAFT)
3	10-28634		1	SCREW, GREASE FILLER
4	12-20260		1	WASHER, GREASE FILLER SCREW
5	32-68979		1	WATER TUBE (SHORT SHAFT)
	32-75308		1	WATER TUBE (LONG SHAFT)
6	26-36556	■	1	SEAL, WATER TUBE
7	12-36554		1	WASHER, WATER TUBE SEAL
8	68976		1	CLAMP, CO-PILOT
9	74480		1	MOUNT, RUBBER <b>DRIVE SHAFT HOUSING (TOP)</b>
	74481		1	MOUNT <b>RUBBER - DRIVE SHAFT HOUSING (BOTTOM)</b>
10	23-74308		2	BUSHING, RUBBER MOUNT
11	68990A1		1	BRACKET ASSEMBLY, STEERING ARM
12	10-68918		4	SCREW, STEERING ARM BRACKET (1")
13	11-35814		1	NUT, GEAR HOUSING STUD
	75311		1	ADAPTOR, DRIVE SHAFT HOUSING (LONG SHAFT)
	76265		1	BEARING BLOCK, DRIVE SHAFT (LONG SHAFT)

■ = CONTENTS OF C-[27-68938A75] GASKET SET

# CLAMP AND SWIVEL BRACKET ASSEMBLY

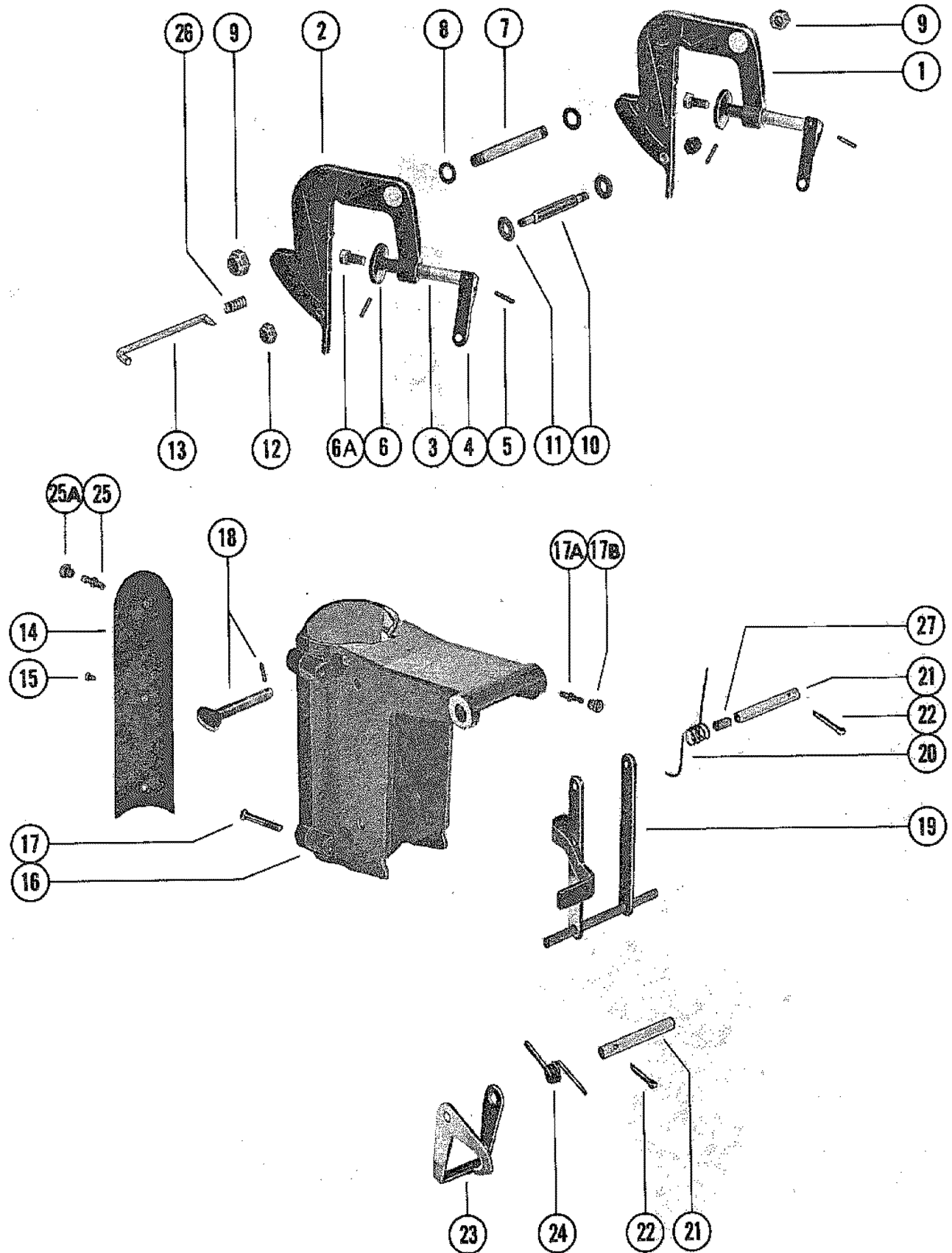


# CLAMP AND SWIVEL BRACKET ASSEMBLY

REF. NO.	PART NO.	SYM.	QTY.	DESCRIPTION
1	1479-5555A1		1	CLAMP BRACKET ASSEMBLY (PORT) WASHER ATTACHED WITH A RETAINING RING.
2	1478-5553A1		1	CLAMP BRACKET ASSEMBLY (STARBOARD) WASHER ATTACHED WITH A RETAINING RING.
3	10-70183A1		2	THUMB SCREW ASSEMBLY WASHER ATTACHED WITH A RETAINING RING.
4	70185		2	HANDLE, THUMB SCREW WASHER ATTACHED WITH A RETAINING RING.
5	17-70733		4	GROOVE PIN, THUMB SCREW WASHER ATTACHED WITH A RETAINING RING.
6	12-70184		2	WASHER, THUMB SCREW WASHER ATTACHED WITH A RETAINING RING.
1	1479-7291A1		1	CLAMP BRACKET ASSEMBLY (PORT) WASHER ATTACHED WITH A SCREW
2	1478-7289A1		1	CLAMP BRACKET ASSEMBLY (STARBOARD) WASHER ATTACHED WITH A SCREW
3	10-77190A4		2	THUMB SCREW ASSEMBLY WASHER ATTACHED WITH A SCREW
4	78971		2	HANDLE, THUMB SCREW WASHER ATTACHED WITH A SCREW
5	17-78970		4	GROOVE PIN, THUMB SCREW WASHER ATTACHED WITH A SCREW
6	12-73719		2	WASHER, THUMB SCREW WASHER ATTACHED WITH A SCREW
6A	10-76804		2	SCREW, THUMB SCREW WASHER WASHER ATTACHED WITH A SCREW
7	16-68926		1	STUD, CLAMP BRACKET (SERIAL #9213205 AND BELOW)
	10-79477		1	SCREW, CLAMP BRACKET (SERIAL #9213206 AND UP)
8	12-68920		2	WASHER, CLAMP BRACKET STUD OR SCREW
9	11-34863		2(1)	NUT, CLAMP BRACKET STUD OR SCREW
10	16-68925		1	STUD, CLAMP BRACKET
11	13-26992		2	LOCKWASHER< CLAMP BRACKET STUD
12	11-29598		2	NUT, CLAMP BRACKET STUD
13	17-68929A1		1	TILT PIN ASSEMBLY
14	71369		1	COVER, EXHAUST RELIEF USED ON EARLY MODELS ONLY
15	10-48408		1	SCREW, EXHAUST RELIEF COVER (1/2") USED ON EARLY MODELS ONLY
16	1477-5551A1		1	SWIVEL BRACKET ASSEMBLY
17	10-69067		4	SCREW, SWIVEL BRACKET (1 3/8")
17A	22-31345		1	GREASE FITTING, SWIVEL BRACKET
17B	29359		1	LUBRICAP, GREASE FITTING
18	10-71105A1		1	THUMB SCREW ASSEMBLY
19	68969A2		1	TILT LEVER ASSEMBLY (SERIAL #9141798 AND BELOW)
	76110A1		1	TILT LEVER ASSEMBLY (SERIAL #9141799 AND UP)
20	24-68932		1	SPRING, TORSION - PORT
21	68968		2	ROD, REVERSE LOCK
22	18-25191		2	COTTER PIN, REVERSE LOCK ROD

CONTINUED ON NEXT PAGE ➡

# CLAMP AND SWIVEL BRACKET ASSEMBLY

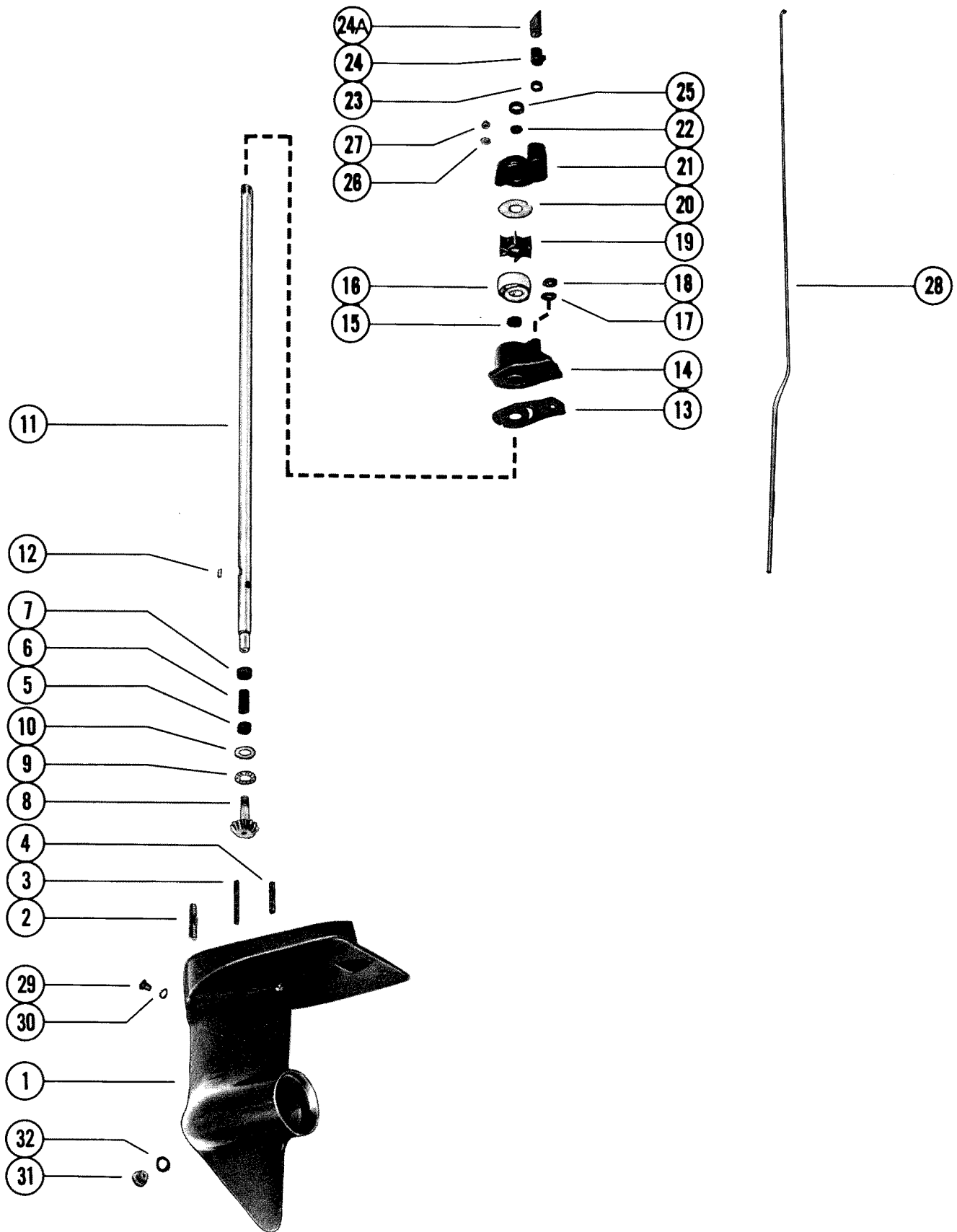




## CLAMP AND SWIVEL BRACKET ASSEMBLY

REF. NO.	PART NO.	SYM.	QTY.	DESCRIPTION
23	68972		1	LEVER, REVERSE LOCK
24	24-73124		1	SPRING, TORSION - STARBOARD
25	22-74629		2	GREASE FITTING (USED WITH REF. #14)
	22-31345		3	GREASE FITTING (NOT USED WITH REF. #14)
25A	29359		2	LUBRICAP, GREASE FITTING
26	24-62143		1	SPRING, TILT PIN
27	23-75065		1	SPACER, REVERSE LOCK ROD

# GEAR HOUSING ASSEMBLY (DRIVE SHAFT)



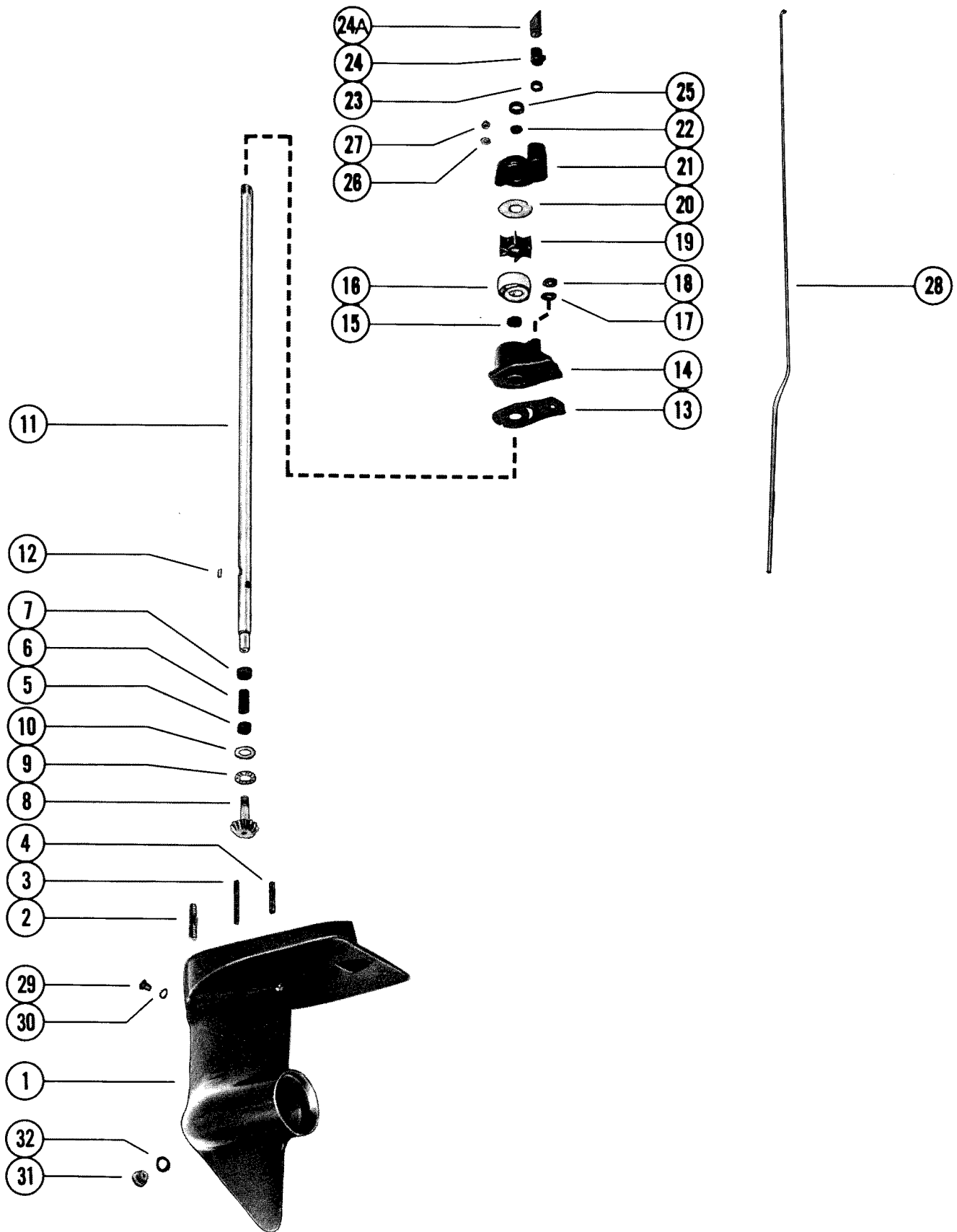
## GEAR HOUSING ASSEMBLY (DRIVE SHAFT)

REF. NO.	PART NO.	SYM.	QTY.	DESCRIPTION
-	1648-5559A2		1	GEAR HOUSING ASS'Y, COMP. (SHORT SHAFT) SERIAL #9210545 AND BELOW
-	1648-5559A4		1	GEAR HOUSING ASS'Y, COMP. (LONG SHAFT) SERIAL #9210545 AND BELOW
-	1648-5559A10		1	GEAR HOUSING ASS'Y, COMP. (SHORT SHAFT) SERIAL #9210546 AND UP
-	1648-5559A11		1	GEAR HOUSING ASS'Y, COMP. (LONG SHAFT) SERIAL #9210546 AND UP
1	1648-5559A3		1	GEAR HOUSING ASSEMBLY, BASIC
2	16-68927		1	STUD, GEAR HOUSING (2 1/8") - SHORT SHAFT
	16-75321		1	STUD, GEAR HOUSING (7 1/4") - LONG SHAFT
3	16-68928		2	STUD, WATER PUMP (2 1/4')
4	16-70741		1	STUD, WATER PUMP (1 1/2")
5	31-23101		1	ROLLER BEARING, GEAR HOUSING - LOWER
6	68978		1	COUPLING, DRIVE SHAFT/PINION
7	31-69496		1	ROLLER BEARING, GEAR HOUSING - UPPER
8	43-68981		1	PINION GEAR
9	31-68945		1	THRUST BEARING, PINION GEAR
10	12-71557		1	WASHER, THRUST BEARING
11	45-68983		1	DRIVE SHAFT (SHORT SHAFT)
	45-75310		1	DRIVE SHAFT (LONG SHAFT)
	45-75310		1	DRIVE SHAFT (LONG SHAFT)
12	28-56655		1	KEY, IMPELLER DRIVE
13	27-68939	■	1	GASKET, WATER PUMP - LOWER
14	46-68986A1		1	WATER PUMP HOUSING ASSEMBLY
15	26-77066		1	OIL SEAL, WATER PUMP
16	70977		1	INSERT, WATER PUMP
17	12-56681		1	WASHER, WATER PUMP
18	25-74138	■	1	QUAD SEAL, WATER PUMP
19	47-68988		1	IMPELLER
20	68955		1	FACE PLATE, WATER PUMP
21	46-68984A1		1	WATER PUMP COVER ASSEMBLY
22	26-30913		1	OIL SEAL, WATER PUMP COVER
23	12-36554		1	WASHER, WATER TUBE SEAL
24	26-36558	■	1	SEAL, WATER TUBE
24A	23-75146		1	SLEEVE, WATER TUBE GUIDE
25	25-30526	■	1	RING, RUBBER - DRIVE SHAFT
26	12-30164		3	WASHER, WATER PUMP STUDS
27	11-45812		3	NUT, WATER PUMP STUDS
28	72418		1	SHIFT SHAFT (SHORT SHAFT)
	75307		1	SHIFT SHAFT (LONG SHAFT)

■ = CONTENTS OF C-[27-68938A75] GASKET SET

CONTINUED ON NEXT PAGE ➡

# GEAR HOUSING ASSEMBLY (DRIVE SHAFT)

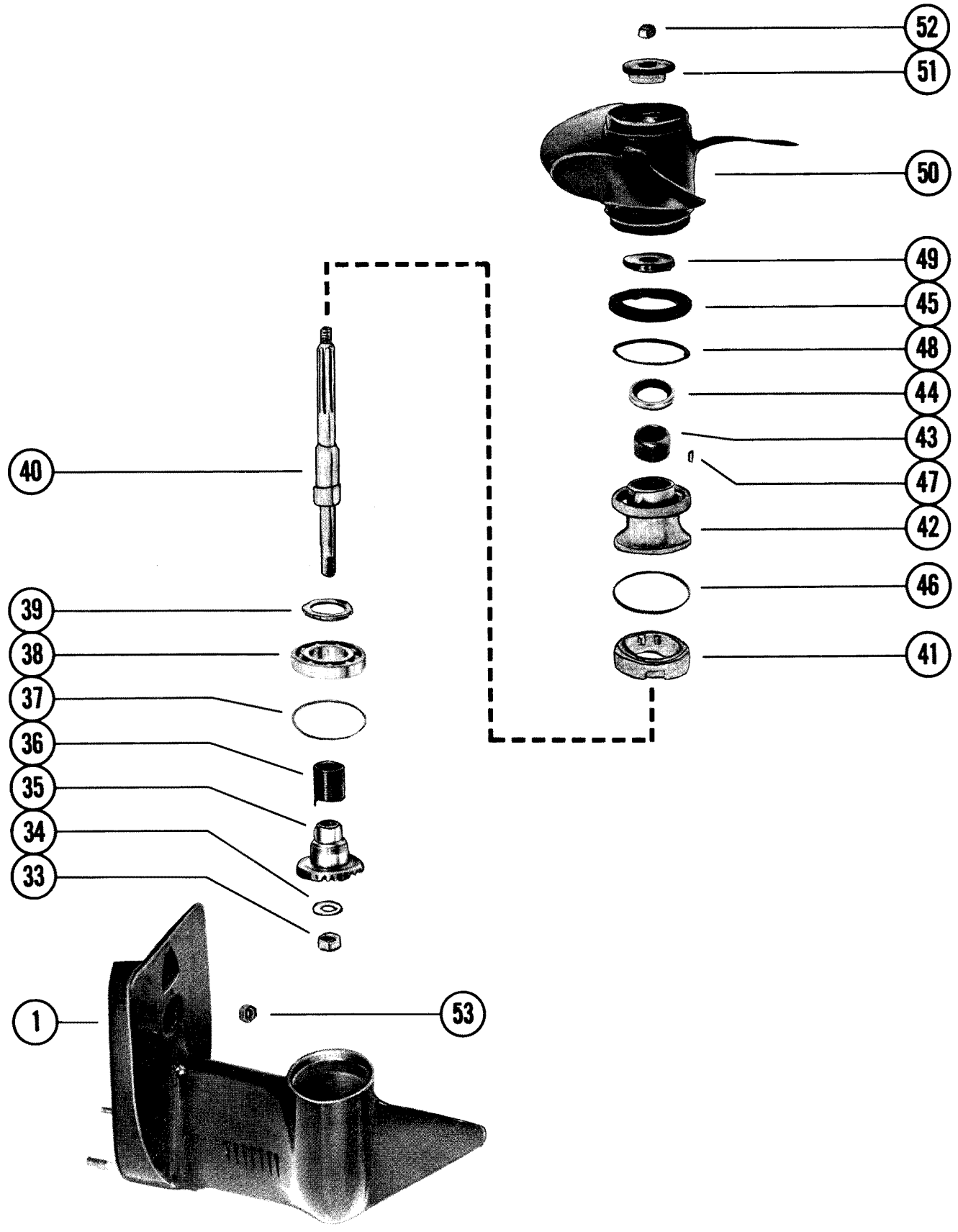


## GEAR HOUSING ASSEMBLY (DRIVE SHAFT)

REF. NO.	PART NO.	SYM.	QTY.	DESCRIPTION
29	10-28653		1	SCREW, VENT - GEAR HOUSING (1/4")
30	12-20262		1	WASHER, VENT SCREW
31	10-28634		1	SCREW, GREASE FILLER
32	12-20260		1	WASHER, GREASE FILLER SCREW
-	<b>27-68938A75</b>		<b>0</b>	<b>GASKET SET</b>

THE ENCLOSED GEAR HOUSINGS INCLUDE ALL PARTS FROM REF. #1 THRU #48 AS LISTED UNDER "GEAR HOUSING ASSEMBLY DRIVE SHAFT AND PROPELLER SHAFT"

# GEAR HOUSING ASSEMBLY (PROPELLER SHAFT)



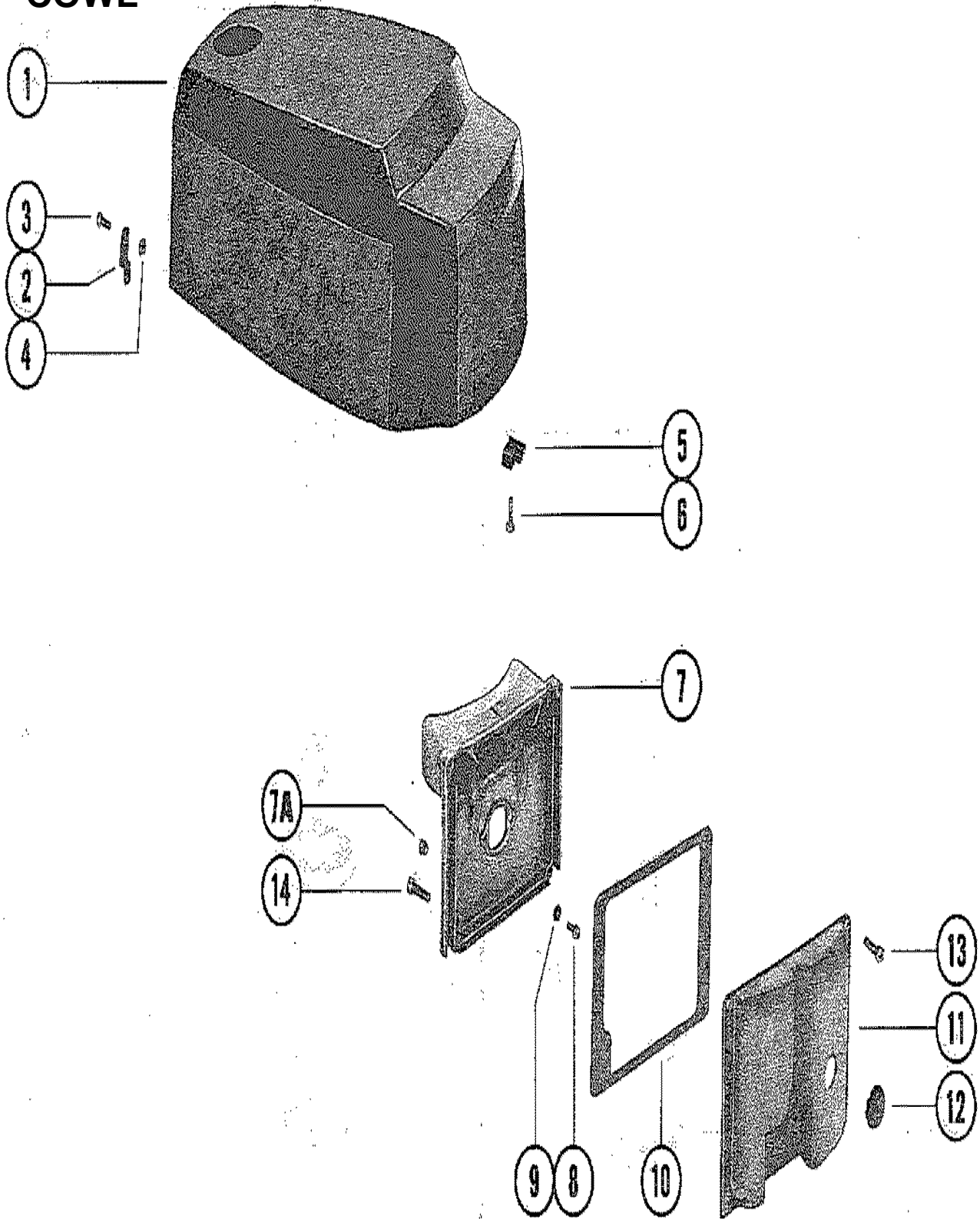
## GEAR HOUSING ASSEMBLY (PROPELLER SHAFT)

REF. NO.	PART NO.	SYM.	QTY.	DESCRIPTION
-	1648-5559A2		1	GEAR HOUSING ASS'Y, COMP. (SHORT SHAFT) SERIAL #9210545 AND BELOW
-	1648-5559A4		1	GEAR HOUSING ASS'Y, COMP. (LONG SHAFT) SERIAL #9210545 AND BELOW
-	1648-5559A10		1	GEAR HOUSING ASS'Y, COMP. (SHORT SHAFT) SERIAL #9210546 AND UP
-	1648-5559A11		1	GEAR HOUSING ASS'Y, COMP. (LONG SHAFT) SERIAL #9210546 AND UP
1	1648-5559A3		1	GEAR HOUSING ASSEMBLY
33	11-20696		1	NUT, PROPELLER SHAFT
34	12-73672		1	WASHER, PROPELLER SHAFT
35	43-68980		1	DRIVE GEAR
36	24-68934		1	SPRING, CLUTCH
37	15-69516A1		1	SHIM ASSEMBLY, BALL BEARING
38	30-70894		1	BALL BEARING, DRIVE GEAR
39	11-69515		1	NUT, DRIVE GEAR
40	44-68982		1	PROPELLER SHAFT
41	69517		1	SPACER, PROPELLER SHAFT SERIAL #9210545 AND BELOW
42	68960A1		1	BEARING CARRIER ASSEMBLY SERIAL #9210545 AND BELOW
43	31-21145		1	ROLLER BEARING SERIAL #9210545 AND BELOW
44	26-71140		1	OIL SEAL SERIAL #9210545 AND BELOW
45	68956		1	COVER, GEAR HOUSING SERIAL #9210545 AND BELOW
41	75816		1	SPACER, PROPELLER SHAFT SERIAL #9210546 AND UP
42	77431A1		1	BEARING CARRIER ASSEMBLY SERIAL #9210546 AND UP
44	26-71140		1	OIL SEAL SERIAL #9210546 AND UP
45	75812		1	COVER, GEAR HOUSING SERIAL #9210546 AND UP
46	25-68935	■	1	"O" RING, BEARING CARRIER
47	28-32003		1	KEY, BEARING CARRIER
48	12-68923		1	WASHER, GEAR HOUSING COVER SERIAL #9141798 AND BELOW
49	70588		1	THRUST HUB, FORWARD
50	48-70453A1		1	PROPELLER ASSEMBLY
51	70589		1	THRUST HUB, AFT
52	11-35814		1	NUT, PROPELLER
53	11-35814		1	NUT, DRIVE SHAFT HOUSING STUD
-	27-68938A75		0	GASKET SET

THE ENCLOSED GEAR HOUSINGS INCLUDE ALL PARTS FROM REF. #1 THRU #48 AS LISTED UNDER "GEAR HOUSING ASSEMBLY DRIVE SHAFT AND PROPELLER SHAFT"

■ = CONTENTS OF C-[27-68938A75] GASKET SET

# TOP COWL





# TOP COWL

REF. NO.	PART NO.	SYM.	QTY.	DESCRIPTION
1	2155-5673		1	TOP COWL (SERIAL #9191588 AND BELOW) <b>DOES NOT INCLUDE DECALS</b>
	2155-6654		1	TOP COWL (SERIAL #9191589 AND UP) <b>DOES NOT INCLUDE DECALS</b>
2	74139		1	HOOK, TOP COWL - REAR
3	10-75686		1	SCREW, HOOK TO COP COWL (3/8")
4	11-31953		1	NUT, HOOK SCREW
5	70461		1	CATCH, TOP COWL - FRONT
6	10-69570		1	SCREW, CATCH TO COP COWL (3/4")
7	70291		1	SOUND BOX (SERIAL #9141798 AND BELOW)
	78634		1	SOUND BOX (SERIAL #9141799 AND UP)
7A	22-52644		1	PLUG, SOUND BOX
8	10-52195		2	SCREW, SOUND BOX TO CARBURETOR (1/2")
9	12-20192		2	WASHER, SOUND BOX SCREW
10	27-70289		1	GASKET, SOUND BOX <b>NOT USED ON LATER MODELS</b>
11	70292		1	COVER, SOUND BOX <b>NOT USED ON LATER MODELS</b>
12	19-32297		1	PLUG, SOUND BOX <b>NOT USED ON LATER MODELS</b>
13	10-75710		2	SCREW, COVER TO SOUND BOX (1/2") <b>NOT USED ON LATER MODELS</b>
14	10-75711		2	SCREW, SOUND BOX TO COVER (1")

# PARTS INDEX

Part Number	Description	Pg.	Ref. No.	Part Number	Description	Pg.	Ref. No.
29359	LUBRICAP, GREASE			70422	LEVER, SPARK	7	22
	FITTING	29	17B	70424	THROTTLE LEVER	7	26
29359	LUBRICAP, GREASE			70426A2	TRIGGER ASSEMBLY	7	14
	FITTING	31	25A	70428	BRACKET, STATOR		
33973	SWIVEL BOLT, LINK ROD	7	19		MOUNTING	7	20
39601	PLATE, DETENT SPRING	3	17	70429	THROTTLE CAM	7	27
53238A19	FUEL PUMP KIT (REMOTE FUEL TANK)	1	-	70455	COVER, BOTTOM COWL	3	3
55741A1	BOOT ASSEMBLY, HANDLE	25	1	70460	HANDLE, LATCH BOTTOM COWL	5	29
57908--2	SLEEVE, SWITCH BOX			70461	CATCH, TOP COWL - FRONT	39	5
	LEADS	11	14	70462	ARM, LATCH CRANK	3	25
61990	STA-STRAP, SWITCH BOX			70557	CHOKE CABLE (SQUARE SHOULDER)	13	26
	LEADS	11	13	70571	CABLE, THROTTLE ADVANCE	25	14
66414	CAM, SHIFT DETENT	3	9	70572	CABLE, THROTTLE RETARD	25	15
68953A1	LINER ASSEMBLY, CONNECTING ROD - CRANKPIN	23	6	70588	THRUST HUB, FORWARD	37	49
68953A1	LINER ASSEMBLY, CYLINDER BLOCK	19	10	70589	THRUST HUB, AFT	37	51
68955	FACE PLATE, WATER PUMP	33	20	70786A1	COUPLING ASSEMBLY, CRANKSHAFT	23	20
68956	COVER, GEAR HOUSING	37	45	70977	INSERT, WATER PUMP	33	16
68960A1	BEARING CARRIER ASSEMBLY	37	42	71369	COVER, EXHAUST RELIEF	29	14
68968	ROD, REVERSE LOCK	29	21	71493--3	MOLDING, BOTTOM COWL (2" - 6-1/2" - 15")	3	2
68969A2	TILT LEVER ASSEMBLY	29	19	71841	RING, CRANKSHAFT	23	14
68972	LEVER, REVERSE LOCK	31	23	72418	SHIFT SHAFT (SHORT SHAFT)	33	28
68976	CLAMP, CO-PILOT	27	8		RETAINER, PINION SPRING	7	41
68977	SHAFT, SHIFT	3	6	72697	ARM, SHIFT	3	13
68978	COUPLING, DRIVE SHAFT/PINION	33	6	72733	BRACKET, FUEL TANK AND IGNITION COIL	13	13
68990A1	BRACKET ASSEMBLY, STEERING ARM	27	11	73973	HOOK, TOP COWL - REAR	39	2
69498	REED BLOCK	19	25	74139	MOUNT, RUBBER	27	9
69517	SPACER, PROPELLER SHAFT	37	41	74480	MOUNT	27	9
69602	TRIM COVER	3	20	74481	FILLER BLOCK, REED BLOCK TO CRANKCASE	21	35
70170A1	BRACKET ASSEMBLY, STARTER REWIND	7	33	74777	STOP, SHIFT ARM	5	31
70185	HANDLE, THUMB SCREW	29	4	74802	CHAIN, FUEL CAP	13	10
70291	SOUND BOX (SERIAL #9141798 AND BELOW)	39	7	75237--3	CRANK, FRONT LATCH	3	27
70292	COVER, SOUND BOX	39	11	75263	SHIFT SHAFT (LONG SHAFT)	33	28
70382	GRIP, HANDLE	25	2	75307	ADAPTOR, DRIVE SHAFT HOUSING (LONG SHAFT)	27	13
70383	ARM, HANDLE	25	3	75311	CONVERSION KIT	1	-
70385	SHAFT, HANDLE	25	7	75311A1	STRAP ASSEMBLY, FUEL TANK ATTACHING	13	16
70386	PULLEY, STEERING CABLE	25	6	75689A1	COVER, GEAR HOUSING	37	45
70389A2	BRACKET ASSEMBLY, HANDLE	25	8	75812	SPACER, PROPELLER SHAFT	37	41
70390	RETAINER, CABLE	25	10	75816	TILT LEVER ASSEMBLY	29	19
70392	HANDLE, SHIFT SERIAL	3	5	76110A1	COIL COVER	11	11
70393	RETAINER, STARTER HANDLE	3	23	76254	BEARING BLOCK, DRIVE SHAFT (LONG SHAFT)	27	13
70394	CAP, STARTER HANDLE	7	38	76265	BRACKET, FUEL TANK (LONG SHAFT)	15	41
70396	HANDLE, STARTER ROPE	7	37	76623	COVER, EXHAUST MANIFOLD	19	13
70413	BRACKET, CABLE MOUNTING	19	32	77178	BEARING CARRIER ASSEMBLY	37	42
70414	LINK ROD, TRIGGER TO SPARK LEVER	7	17	77431A1	HOLDER, SPRING	9	43
70420	ADAPTOR, CARBURETOR TO REED BLOCK	19	31	77512			

# PARTS INDEX

Part Number	Description	Pg.	Ref. No.	Part Number	Description	Pg.	Ref. No.
77568	STARTER SHEAVE	7	35	10-38055	SCREW	7	28
77585	COVER, EXHAUST MANIFOLD	19	13	10-38515	SCREW, SHOULDER (7/8")	7	30
77999	SPACER, CHOKE KNOB - INNER	13	27	10-45218	SCREW, SWITCH BOX GROUND (3/8")	11	2
78000	SPACER, CHOKE KNOB - OUTER	13	28	10-48408	SCREW, EXHAUST RELIEF COVER (1/2")	29	15
78046	LINK, IDLE ADJUSTMENT	15	35	10-52195	SCREW, SOUND BOX TO CARBURETOR (1/2")	39	8
78048	SHAFT, IDLE ADJUSTMENT	15	36	10-62802	SCREW, ADJUSTING - SPARK LEVER (1 1/8")	7	23
78049	LEVER, IDLE ADJUSTMENT	15	34	10-66707	SCREW, STATOR TO MOUNTING BRACKET (7/8")	7	6
78050	KNOB, CHOKE	15	41	10-68918	SCREW, STEERING ARM BRACKET (1")	27	12
78076	CHOKE CABLE (ROUND SHOULDER)	13	26	10-69022	SCREW, BRACKET TO ADAPTOR (1/2")	21	33
78303	RETAINER, STARTER HANDLE	3	23	10-69067	SCREW, SWIVEL BRACKET (1 3/8")	29	17
78579	BRACKET, FUEL TANK AND IGNITION COIL	13	13	10-69079	SCREW, COVER TO BOTTOM COWL (7/16")	3	4
78634	SOUND BOX (SERIAL #9141799 AND UP)	39	7	10-69347	SCREW, TERMINAL BLOCK TO STATOR (5/8")	7	12
78971	HANDLE, THUMB SCREW	29	4	10-69560	SCREW, SHIFT HANDLE TO SHAFT (1 1/4")	3	7
79746	BRACKET, CABLE MOUNTING	21	32	10-69570	SCREW, CATCH TO COP COWL (3/4")	39	6
86055	HANDLE, SHIFT SERIAL	3	5	10-70181	SCREW, SPRING RETAINER (5/8")	9	45
86056A1	SHAFT, SHIFT	3	6	10-70182	SCREW, SHIFT HANDLE TO SHAFT (1 3/8")	3	7
86874	KNOB, CHOKE CABLE	15	30	10-70183A1	THUMB SCREW ASSEMBLY	29	3
10-20055	SCREW, CABLE MOUNTING BRACKET (7/16")	21	34	10-70298	SCREW, VENT - FUEL CAP	13	2
10-22523	SCREW, SWITCH BOX (3/4")	11	3	10-70732	SCREW, CRANKCASE TO CYLINDER BLOCK (2")	19	7
10-22654	SCREW, LEADS TO TERMINAL BLOCK (3/8")	7	11	10-71105A1	THUMB SCREW ASSEMBLY	29	18
10-25157	SCREW, STATOR MOUNTING BRACKET (7/16")	7	21	10-72455	SCREW, CONNECTING ROD	23	3
10-25764	SCREW, DETENT SPRING TO BOTTOM COWL (1/2")	3	18	10-72734	SET SCREW, SHIFT ARM (5/16")	3	14
10-26668	SCREW	13	16A	10-75686	SCREW, HOOK TO COP COWL (3/8")	39	3
10-28430	SCREW, REED AND REED STOP (1/4")	19	29	10-75710	SCREW, COVER TO SOUND BOX (1/2")	39	13
10-28634	SCREW, GREASE FILLER	27	3	10-75711	SCREW, SOUND BOX TO COVER (1")	39	14
10-28634	SCREW, GREASE FILLER	35	31	10-75827	SCREW, TRIM COVER TO BOTTOM COWL	3	21
10-28635	SCREW, CRANKCASE TO CYLINDER BLOCK (5/8")	19	8	10-76502	SCREW, COIL COVER (1 7/8")	11	12
10-28653	SCREW, VENT - GEAR HOUSING (1/4")	35	29	10-76804	SCREW, THUMB SCREW WASHER	29	6A
10-28667	SCREW, CRANKCASE TO CYLINDER BLOCK (1")	19	9	10-77190A4	THUMB SCREW ASSEMBLY	29	3
10-32228	SCREW, CYLINDER BLOCK COVER (5/8")	19	18	10-79477	SCREW, CLAMP BRACKET	29	7
10-32228	SCREW, EXHAUST MANIFOLD COVER (5/8")	19	15	11-20509	NUT, FLYWHEEL	7	4
10-32228	SCREW, EXHAUST MANIFOLD COVER (5/8")	19	15	11-20696	NUT, PROPELLER SHAFT	37	33
10-37571	SCREW, BRACKET TO CYLINDER BLOCK (1/2")	7	34	11-21825	NUT, THROTTLE CABLE	25	16
10-37571	SCREW, BRACKET TO CYLINDER BLOCK (1/2")	13	14	11-21923	NUT, ADJUSTING SCREW	7	24
10-37571	SCREW, TRIM COVER TO BOTTOM COWL (1/2")	3	21	11-29598	NUT, CLAMP BRACKET STUD	29	12
10-37978	SCREW, HANDLE BRACKET (3/4")	25	9	11-31953	NUT, HOOK SCREW	39	4

# PARTS INDEX

Part Number	Description	Pg.	Ref. No.	Part Number	Description	Pg.	Ref. No.
11-34863	NUT, CLAMP BRACKET STUD OR SCREW . . . . .	29	9	12-73672	WASHER, PROPELLER SHAFT . . . . .	37	34
11-35814	NUT, DRIVE SHAFT HOUSING STUD . . . . .	37	53	12-73719	WASHER, THUMB SCREW . . . . .	29	6
11-35814	NUT, GEAR HOUSING STUD	27	13	13-26992	LOCKWASHER< CLAMP BRACKET STUD . . . . .	29	11
11-35814	NUT, PROPELLER . . . . .	37	52	13-26994	LOCKWASHER, SHIFT HANDLE SCREW . . . . .	3	8
11-36069	NUT, CARBURETOR STUD . . . . .	15	32	13-26996	LOCKWASHER, SHIFT HANDLE SCREW . . . . .	3	8
11-45076	NUT, IGNITION COIL TERMINAL . . . . .	11	10	13-34632	WAVE WASHER, LATCH HANDLE . . . . .	5	28
11-45812	NUT, BRACKET SCREW . . . . .	13	15	13-58308	LOCKWASHER, TERMINAL BLOCK . . . . .	7	10A
11-45812	NUT, WATER PUMP STUDS	33	27	14-72454	TAB WASHER, CONNECTING ROD SCREW . . . . .	23	4
11-46438	NUT, TERMINAL BLOCK SCREW . . . . .	7	13	15-69516A1	SHIM ASSEMBLY, BALL BEARING . . . . .	37	37
11-46887	NUT, POWERHEAD STUDS . . . . .	19	20	16-20353	STUD, REED BLOCK AND CARBURETOR . . . . .	19	5
11-68219	NUT, ADJUSTING LINK ROD	7	18	16-56766	STUD, POWERHEAD (1 3/8")	19	2
11-69515	NUT, DRIVE GEAR . . . . .	37	39	16-68925	STUD, CLAMP BRACKET . . . . .	29	10
11-73784	NUT, HANDLE BRACKET . . . . .	25	13	16-68926	STUD, CLAMP BRACKET . . . . .	29	7
11-78045	NUT, CHOKE KNOB . . . . .	15	40	16-68927	STUD, DRIVE SHAFT HOUSING (SHORT SHAFT)	27	2
11-78045	NUT, LOCKING - CHOKE CABLE . . . . .	13	29	16-68927	STUD, GEAR HOUSING (2 1/8") - SHORT SHAFT . . . . .	33	2
12-20192	WASHER, SOUND BOX SCREW . . . . .	39	9	16-68928	STUD, WATER PUMP (2 1/4")	33	3
12-20260	WASHER, GREASE FILLER SCREW . . . . .	27	4	16-70741	STUD, WATER PUMP (1 1/2")	33	4
12-20260	WASHER, GREASE FILLER SCREW . . . . .	35	32	16-72809	STUD, POWERHEAD (1 5/8")	19	2
12-20262	WASHER, VENT SCREW . . . . .	35	30	16-75321	STUD, DRIVE SHAFT HOUSING (LONG SHAFT)	27	2
12-21631	WASHER, SHOULDER SCREW . . . . .	7	31	16-75321	STUD, GEAR HOUSING (7 1/4") - LONG SHAFT . . . . .	33	2
12-25970	WASHER, FLYWHEEL . . . . .	7	3	17-25905	ROLL PIN, CAM TO SHIFT SHAFT . . . . .	3	10
12-30164	WASHER, BRACKET TO CYLINDER BLOCK SCREW . . . . .	7	34A	17-38489	ROLL PIN, LATCH HANDLE TO CRANK . . . . .	5	30
12-30164	WASHER, PINION . . . . .	7	39A	17-46912	PIN, CYLINDER BLOCK . . . . .	19	3
12-30164	WASHER, WATER PUMP STUDS . . . . .	33	26	17-68929A1	TILT PIN ASSEMBLY . . . . .	29	13
12-31433	WASHER, HANDLE . . . . .	25	4	17-70180	RIVET, STARTER SHEAVE . . . . .	9	47
12-36554	WASHER, WATER TUBE SEAL . . . . .	27	7	17-70733	GROOVE PIN, THUMB SCREW . . . . .	29	5
12-36554	WASHER, WATER TUBE SEAL . . . . .	33	23	17-78970	GROOVE PIN, THUMB SCREW . . . . .	29	5
12-37998	WASHER, THROTTLE CABLE	25	17	18-21071	COTTER PIN, SHIFT SHAFT	3	15
12-38255	WASHER, FUEL CAP . . . . .	13	6	18-21071	PIN, FUEL CAP - RING . . . . .	13	9
12-38753	WASHER, CARBURETOR STUD . . . . .	15	31	18-25191	COTTER PIN, REVERSE LOCK ROD . . . . .	29	22
12-49221	WASHER, VENT SCREW . . . . .	13	3	19-32297	PLUG, SOUND BOX . . . . .	39	12
12-56681	WASHER, SPRING RETAINER . . . . .	9	46	19-74258	PLUG, BOTTOM COWL - FUEL ADAPTOR . . . . .	3	24
12-56681	WASHER, SWITCH BOX SCREW . . . . .	11	4	20-70555	VALVE . . . . .	13	21
12-56681	WASHER, THROTTLE CAM SCREW (7/8") . . . . .	7	29	21-64871A2	CHECK VALVE ASSEMBLY, CRANKCASE . . . . .	19	24
12-56681	WASHER, WATER PUMP . . . . .	33	17	22-31345	GREASE FITTING (NOT USED WITH REF. #14) . . . . .	31	25
12-57029	WASHER, FUEL CAP . . . . .	13	8	22-31345	GREASE FITTING, SWIVEL BRACKET . . . . .	29	17A
12-68920	WASHER, CLAMP BRACKET STUD OR SCREW . . . . .	29	8	22-52644	PLUG, SOUND BOX . . . . .	39	7A
12-68923	WASHER, GEAR HOUSING COVER . . . . .	37	48				
12-70184	WASHER, THUMB SCREW . . . . .	29	6				
12-71557	WASHER, THRUST BEARING	33	10				

# PARTS INDEX

Part Number	Description	Pg.	Ref. No.	Part Number	Description	Pg.	Ref. No.
22-56800	PLUG, PIPE - CYLINDER BLOCK	19	6	27-68938A75	GASKET SET	35	-
22-64704	FITTING, CARBURETOR TO FUEL LINE (90 DEG.)	13	23	27-68938A75	GASKET SET	37	-
22-65857	FITTING ADAPTOR	19	23	27-68938A75	GASKET SET (SERIAL #9210545 AND BELOW)	1	-
22-70997	FITTING, FUEL TANK (FILTER)	13	17	27-68939	GASKET, WATER PUMP - LOWER	33	13
22-74629	GREASE FITTING (USED WITH REF. #14)	31	25	27-68940	GASKET, DRIVE SHAFT HOUSING/BOTTOM COWL	3	19
23-26731	SPACER, SWITCH BOX SCREW (EARLY MODELS)	11	3A	27-68941	GASKET, BLOCK TO BOTTOM COWL	19	19
23-26856	BUSHING, SHIFT SHAFT	3	11	27-68942	GASKET, CYLINDER BLOCK COVER	19	17
23-70391	BUSHING, HANDLE BRACKET	25	12	27-70289	GASKET, SOUND BOX	39	10
23-74308	BUSHING, RUBBER MOUNT	27	10	27-70297	GASKET, FUEL CAP	13	5
23-75065	SPACER, REVERSE LOCK ROD	31	27	27-70415	GASKET, CRANKCASE TO REED BLOCK	19	26
23-75146	SLEEVE, WATER TUBE GUIDE	33	24A	27-70416	GASKET, REED BLOCK TO ADAPTOR	19	30
23-77513	SPACER, SPRING HOLDER	9	44	27-70417	GASKET, CARBURETOR MOUNTING	13	25
23-78047	SLEEVE, IDLE ADJUSTMENT	15	38	27-70554	GASKET, FUEL TANK TO COWL	13	12
23-78894	SPACER, SPRING HOLDER	9	44	27-74392	GASKET, EXHAUST MANIFOLD COVER	19	14
24-22227	SPRING, FUEL CAP	13	7	27-77568A78	GASKET SET	15	-
24-39627	SPRING, DETENT	3	16	27-77568A78	GASKET SET (SERIAL #9210546 AND UP)	1	-
24-62143	SPRING, TILT PIN	31	26	27-77586	GASKET, EXHAUST MANIFOLD COVER	19	14
24-68932	SPRING, TORSION - PORT	29	20	27-78577	GASKET, FUEL CAP	13	5
24-68934	SPRING, CLUTCH	37	36	27-78578	GASKET, FUEL TANK TO COWL	13	12
24-70167	SPRING, STARTER REWIND	7	32	28-20094	KEY, FLYWHEEL DRIVE	7	2
24-70288	SPRING, PINION	7	40	28-32003	KEY, BEARING CARRIER	37	47
24-70294	SPRING, FUEL CAP - RETAINING	13	11	28-56655	KEY, IMPELLER DRIVE	33	12
24-70418	SPRING, THROTTLE LEVER	7	25	29-68944	NEEDLE BEARING, CONNECTING ROD	23	5
24-70459	SPRING, LATCH CRANK	3	26	29-71840	NEEDLE BEARING, CENTER MAIN	19	12
24-73124	SPRING, TORSION - STARBOARD	31	24	30-69389	BALL BEARING, CRANKSHAFT - LOWER	23	15
24-77511	SPRING, TORSION - PINION	9	42	30-70894	BALL BEARING, DRIVE GEAR	37	38
24-85767	SPRING, FUEL CAP - RETAINING	13	11	31-21145	ROLLER BEARING	37	43
25-20415	"O" RING, SHIFT SHAFT	3	12	31-23101	ROLLER BEARING, GEAR HOUSING - LOWER	33	5
25-30526	RING, RUBBER - DRIVE SHAFT	33	25	31-68945	THRUST BEARING, PINION GEAR	33	9
25-62706	"O" RING, CRANKSHAFT	23	19	31-68949	ROLLER BEARING, CONNECTING ROD - PISTON PIN	23	8
25-68935	"O" RING, BEARING CARRIER	37	46	31-69496	ROLLER BEARING, GEAR HOUSING - UPPER	33	7
25-74138	QUAD SEAL, WATER PUMP	33	18	31-78099	ROLLER BEARING, CRANKSHAFT - UPPER	23	13
26-30530	OIL SEAL, CRANKSHAFT - UPPER	23	12	32-54936	HOSE, BLEED	19	22
26-30913	OIL SEAL, WATER PUMP COVER	33	22	32-68979	WATER TUBE (SHORT SHAFT)	27	5
26-36556	SEAL, WATER TUBE	27	6	32-70432	FUEL LINE	13	22
26-36558	SEAL, WATER TUBE	33	24				
26-71140	OIL SEAL	37	44				
26-71140	OIL SEAL	37	44				
26-76266	SEAL, COUPLING	23	21				
26-77066	OIL SEAL, WATER PUMP	33	15				
26-77494	OIL SEAL, CRANKSHAFT	23	18				
27-68938A75	GASKET SET	5	-				
27-68938A75	GASKET SET	15	-				
27-68938A75	GASKET SET	21	-				
27-68938A75	GASKET SET	23	-				

# PARTS INDEX

Part Number	Description	Pg.	Ref. No.	Part Number	Description	Pg.	Ref. No.
32-75308	WATER TUBE (LONG SHAFT)	27	5	339-5288A2	IGNITION COIL ASSEMBLY	11	8
33-48370	SPARK PLUG (USE IN UNITED STATES)	11	7	339-5566A5	STATOR ASSEMBLY	7	5
33-72983	SPARK PLUG (USE IN BELGIUM AND CANADA)	11	6	339-5589A1	COIL ASSEMBLY (2 1/4" AND 4 1/4" LEADS)	7	7
34-69499A1	REED ASSEMBLY	19	27	339-5590A1	COIL ASSEMBLY (3 3/8" AND 4 3/8" LEADS)	7	7
34-69500	REED STOP	19	28	339-6222A8	SWITCH BOX ASSEMBLY	11	1
35-76934	FUEL FILTER	15	33	458-5549	CRANKSHAFT	23	1
36-75338	CAP, FUEL	13	4	626-5547A5	CONNECTING ROD ASSEMBLY	23	2
36-78573	CAP, FUEL SERIAL	13	4	758-6248A2	PISTON ASSEMBLY	23	9
37-73880A76	DECAL SET (SERIAL #9141798 AND BELOW)	1	-	862-5617A4	BLOCK AND CRANKCASE ASS'Y	19	1
37-73880A77	DECAL SET (SERIAL #9141798 THRU #9172805)	1	-	862-6501A2	BLOCK AND CRANKCASE ASS'Y	19	1
37-78600A78	DECAL SET (SERIAL #9172805 THRU #9208225)	1	-	1027-5546	COVER, CYLINDER BLOCK	19	16
37-86423A79	GASKET SET (SERIAL #9208226 AND UP)	1	-	1248-6114	FUEL TANK (SERIAL #9191588 AND BELOW)	13	1
39-70175A12	PISTON RING ASSEMBLY	23	11	1248-6628	FUEL TANK (SERIAL #9191589 AND UP)	13	1
40-68950	LOCK RING, PISTON	23	10	1377-6566	CARBURETOR	13	24
43-68980	DRIVE GEAR	37	35	1377-6566	CARBURETOR ASSEMBLY	17	1
43-68981	PINION GEAR	33	8	1395-4805	SCREEN, FILTER	17	9
43-77514	PINION, STARTER REWIND	7	39	1395-5893	FUEL BOWL	17	4
44-68982	PROPELLER SHAFT	37	40	1395-5894	SHAFT, THROTTLE	17	18
45-68983	DRIVE SHAFT (SHORT SHAFT)	33	11	1395-5896	SHAFT, CHOKE	17	14
45-75310	DRIVE SHAFT (LONG SHAFT)	33	11	1395-5897	VALVE, CHOKE	17	16
45-75310	DRIVE SHAFT (LONG SHAFT)	33	11	1395-5898	FLOAT	17	6
46-68984A1	WATER PUMP COVER ASSEMBLY	33	21	1395-5900	NOZZLE	17	10
46-68986A1	WATER PUMP HOUSING ASSEMBLY	33	14	1395-5901	GASKET SET	17	23
47-68988	IMPELLER	33	19	1395-5902	SCREW, VALVE	17	17
48-70453A1	PROPELLER ASSEMBLY	37	50	1395-5903	SPRING, THROTTLE RETURN	17	19
50-71917A3	STARTER ROPE ASSEMBLY (INCLUDES 2 RIVETS)	7	36	1395-5904	SPRING, FLOAT	17	7
53-27275	RETAINING RING, BALL BEARING - SMALL	23	17	1395-5905	SPRING, CHOKE RETURN	17	15
53-58656	"E" RING, RETAINER	3	22	1395-5906	RETAINER, JET (.041)	17	2
53-68952	RETAINING RING, BALL BEARING - LARGE	23	16	1395-6043	SPRING, IDLE NEEDLE	17	22
53-70384	RETAINING RING, HANDLE	25	5	1395-6103	VALVE, THROTTLE	17	20
54-59538	CLIP, COIL RETAINING	7	8	1395-6480	REPAIR PARTS KIT	17	23
54-63153	"J" CLIP, SWITCH BOX LEAD	11	5	1395-6618	SWIVEL BRACKET ASSEMBLY	29	16
54-65927	CLIP, COIL RETAINING	7	9	1477-5551A1	CLAMP BRACKET ASSEMBLY (STARBOARD)	29	2
54-68424	CLAMP, FUEL LINE ATTACHING	13	20	1478-7289A1	CLAMP BRACKET ASSEMBLY (STARBOARD)	29	2
54-68725	CLAMP, FUEL LINE TO FITTING	13	18	1479-5555A1	CLAMP BRACKET ASSEMBLY (PORT)	29	1
84-70671A1	HARNES ASSEMBLY, STOP SWITCH	25	7A	1479-7291A1	CLAMP BRACKET ASSEMBLY (PORT)	29	1
84-76223--8	WIRE, HIGH TENSION	11	6	1580-5557A1	DRIVE SHAFT HOUSING ASSEMBLY	27	1
85-70857--1	INSULATOR, CABLE	25	11	1580-6673A2	DRIVE SHAFT HOUSING ASSEMBLY	27	1
86-69348	TERMINAL BLOCK, STATOR	7	10	1648-5559A10	GEAR HOUSING ASS'Y, COMP. (SHORT SHAFT)	33	-
90-74059	MERC 4 PARTS MANUAL	1	-	1648-5559A10	GEAR HOUSING ASS'Y, COMP. (SHORT SHAFT)	37	-
247-6575A2	FLYWHEEL ASSEMBLY	7	1	1648-5559A11	GEAR HOUSING ASS'Y, COMP. (LONG SHAFT)	33	-

# PARTS INDEX

Part Number	Description	Pg.	Ref. No.	Part Number	Description	Pg.	Ref. No.
1648-5559A2	GEAR HOUSING ASS'Y, COMP. (SHORT SHAFT)	33	-				
1648-5559A2	GEAR HOUSING ASS'Y, COMP. (SHORT SHAFT)	37	-				
1648-5559A3	GEAR HOUSING ASSEMBLY	37	1				
1648-5559A3	GEAR HOUSING ASSEMBLY, BASIC	33	1				
1648-5559A4	GEAR HOUSING ASS'Y, COMP. (LONG SHAFT)	33	-				
1648-5559A4	GEAR HOUSING ASS'Y, COMP. (LONG SHAFT)	37	-				
2154-5621	BOTTOM COWL (SERIAL #9141798 AND BELOW)	3	1				
2154-6349	BOTTOM COWL (SERIAL #9141799 AND UP)	3	1				
2155-5673	TOP COWL (SERIAL #9191588 AND BELOW)	39	1				
2155-6654	TOP COWL (SERIAL #9191589 AND UP)	39	1				