



PARTS CATALOG

898 (STERN DRIVE) 198 (INBOARD) ENGINE

SERIAL NUMBER

198 MIE (2 BBL.) GM 305 V-8 1977 4762210 THRU 6218461
898 (2 BBL.) GM 305 V-8 1977-1982 4762210 THRU 6218461

TABLE OF CONTENTS:

ALTERNATOR ASSEMBLY, COMPLETE	74
ALTERNATOR ASSEMBLY, COMPLETE (MOTOROLA)	72
CARBURATOR ASSEMBLY	70
CARBURETOR AND MOUNTING BRACKETS	14
CARBURETOR ASSEMBLY	18
CRANKSHAFT AND PISTONS	40
CYLINDER BLOCK AND CAMSHAFT	38
DISTRIBUTOR ASSEMBLY (MALLORY)	10
DRIVE SHAFT EXTENSION COMPONENTS	100
DRIVE SHAFT EXTENSION COMPONENTS (M0059-G8)	104
DRIVE SHAFT EXTENSION COMPONENTS (M0061-G8)	106
DRIVE SHAFT EXTENSION COMPONENTS (M0062-G8)	108
ENGINE MOUNTING	28
EXHAUST MANIFOLD AND EXHAUST ELBOW	22
FLYWHEEL HOUSING	32
FLYWHEEL, HOUSING AND OIL COOLER	34
FRESH WATER COOLING INSTALLATION KIT	96
FRESH WATER COOLING KIT	94
FUEL PUMP AND FUEL FILTER	12
INTAKE MANIFOLD	42
OIL PAN AND OIL PUMP	46
PARTS INDEX	110
POWER STEERING COMPONENTS	64
POWER STEERING COMPONENTS (WITH HOSES)	66
ROCKER COVER AND CYLINDER HEAD	36
SHIFT BRACKET AND REVERSE LOCK VALVE	60
STARTER MOTOR AND ALTERNATOR	2
STARTER MOTOR ASSEMBLY, COMPLETE (B-50-65784A1)	90
STARTER MOTOR ASSEMBLY, COMPLETE (B-50-77328A1)	78
STARTER MOTOR ASSEMBLY, COMPLETE (B-50-76965A3)	84
THERMOSTAT HOUSING	24
TRANSMISSION AND ENGINE MOUNTING (INBOARD)	52
TRANSMISSION AND ENGINE MOUNTING (V-DRIVE)	58
TRANSMISSION AND RELATED PARTS (INBOARD)	48
TRANSMISSION AND RELATED PARTS (V-DRIVE)	54
WATER DISTRIBUTION HOSES	30
WATER PUMP ASSEMBLY	26
WIRING HARNESS, CIRCUIT BREAKER AND STARTER SOLENOID	6

NOTE: Indented description indicate that these parts are included in preceding assembly.

AR = As Required

NSS = Not Sold Separate

OPT = Optional

NS = Not Shown

THESE PARTS BOOKS/FICHE CARD ARE COPYRIGHTED AND MAY NOT BE DISTRIBUTED OR REPRODUCED IN ANY OTHER FORMAT BY ANYONE OTHER THAN MERCURY MARINE WITHOUT THE PRIOR WRITTEN CONSENT OF MERCURY MARINE.

REPLACEMENT PARTS ! WARNING !

Electrical, ignition and fuel system components on MerCruiser Engines and Stern Drives are designed and manufactured to comply with U.S. Coast Guard Rules and Regulations to minimize risks of fire or explosion. Use of replacement electrical, ignition or fuel system components, which do not comply to these rules and regulations, could result in a fire or explosion hazard and should be voided.

When servicing the electrical, ignition and fuel systems, it is extremely important that all components are properly installed and tightened. If not, any electrical or ignition component opening would permit sparks to ignite fuel vapors from fuel system leaks, if they existed.

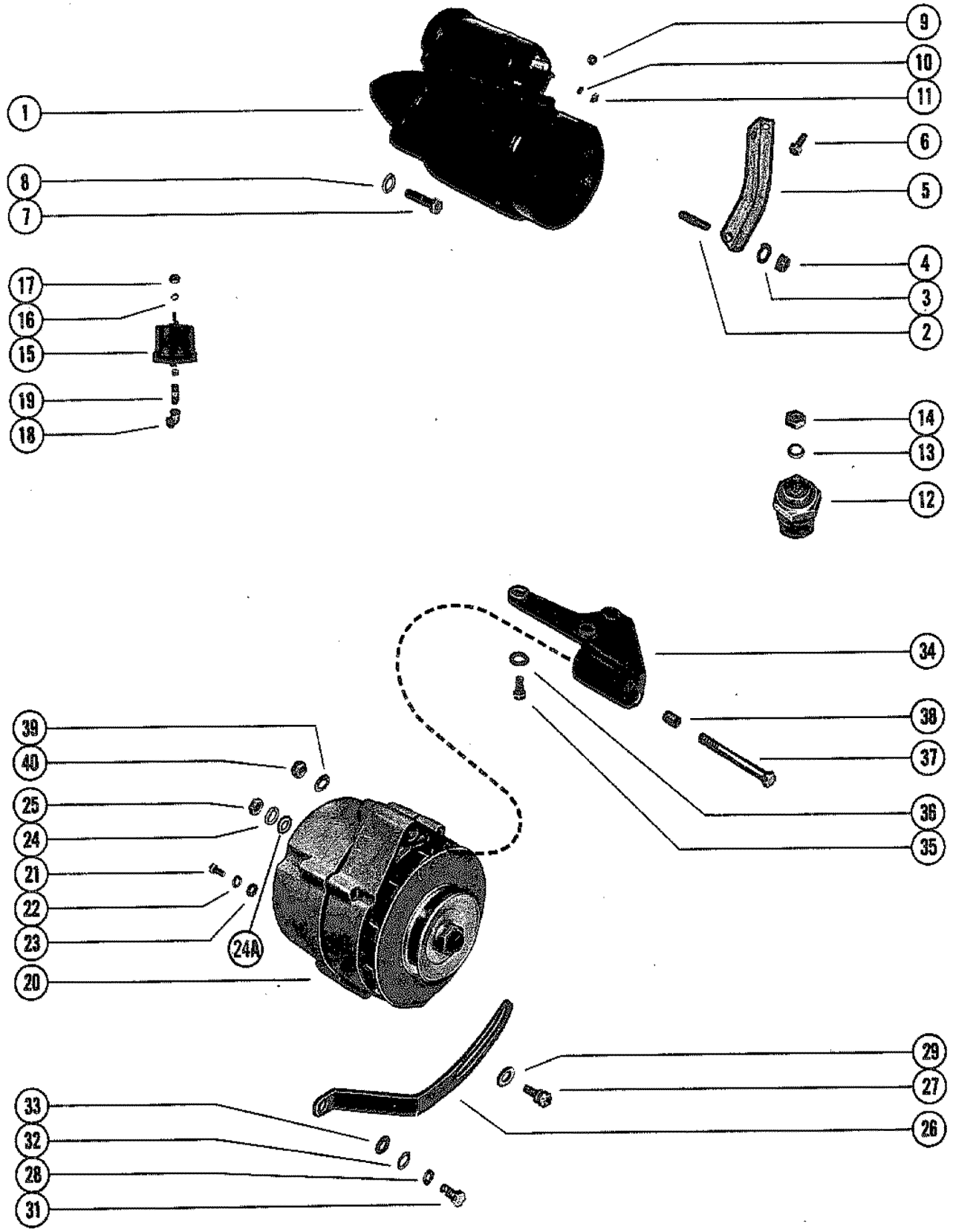
ENGINE MECHANICAL COMPONENTS

Many of the engine mechanical components are designed for marine applications. Unlike automotive engines, marine engines are subjected to extended periods of heavy load and wide- open-throttle operation, therefore, require heavy-duty components. Special marine engine parts have design and manufacturing specifications, which are required to provide long life and dependable performance. Marine engine parts also must be able to resist the corrosive action of salt or brackish water that will rust or corrode standard automotive parts within a short period of time.

Failure to use recommended Mercury Precision Parts OR Quicksilver service replacement parts can result in poor engine performance and/or durability, rapid corrosion of parts subjected to salt water and possibly complete failure of the engine.

Use of parts other than recommended service replacement parts will void the warranty on those parts which are damaged as a result of the use of other than recommended parts.

STARTER MOTOR AND ALTERNATOR

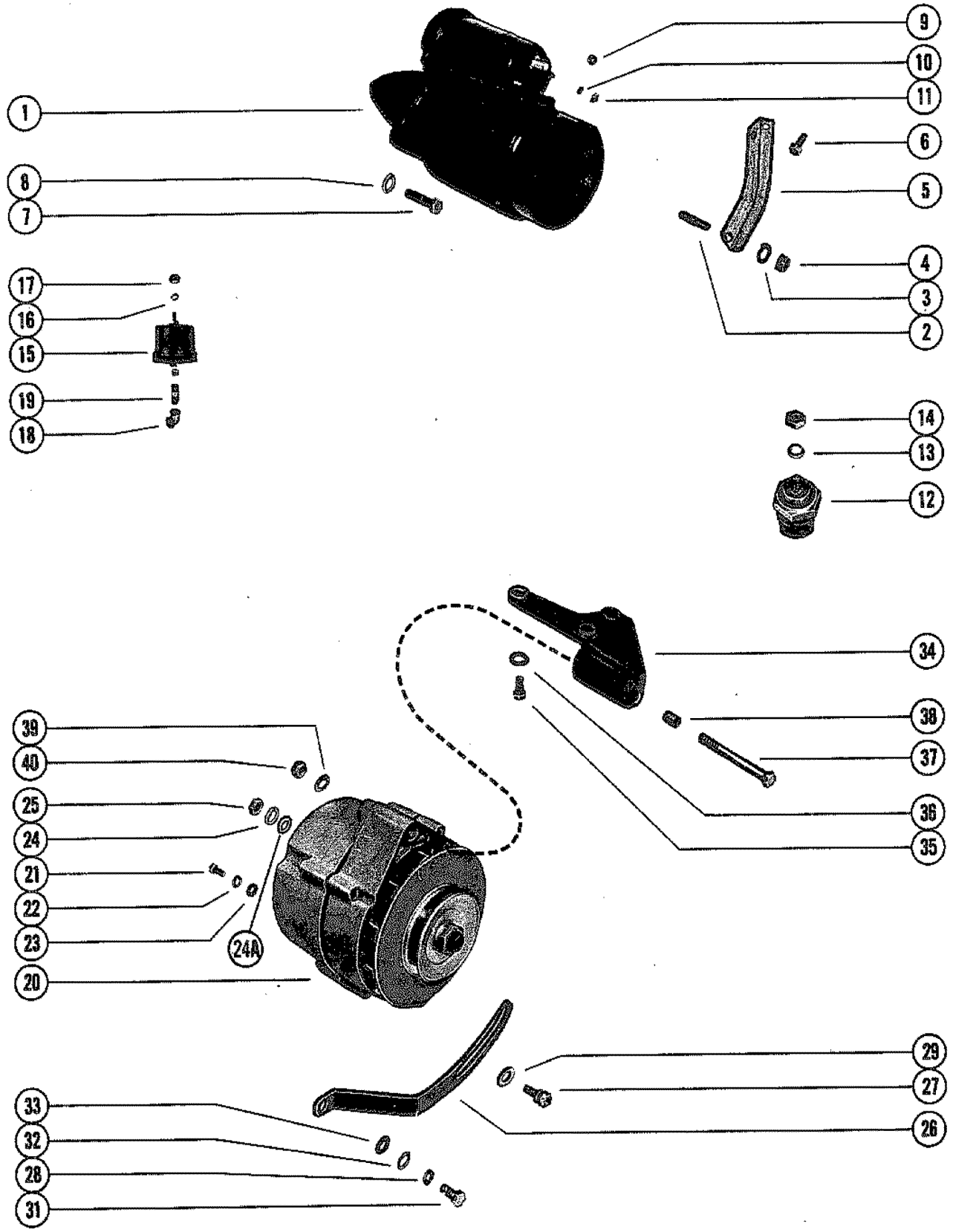


STARTER MOTOR AND ALTERNATOR

REF. NO.	PART NO.	SYM.	QTY.	DESCRIPTION
1	50-79823A1		1	STARTER MOTOR ASSEMBLY (STERN DRIVE) (DELCO REMY #1109489)
	50-79822A2		1	STARTER MOTOR ASSEMBLY (STERN DRIVE) (DELCO REMY #1109488)
	50-65784A1		1	STARTER MOTOR ASSEMBLY (INBOARD - L.H. ROT.) (DELCO REMY #11)
	50-65785A1		1	STARTER MOTOR ASSEMBLY (INBOARD - R.H. ROT.) (DELCO REMY #11)
2	16-52387		1	STUD, STARTER MOTOR USED WITH B-50-79823A1 STERN DRIVE
3	13-26992		1	LOCKWASHER, STARTER MOTOR STUDUSED WITH B-50-79823A1 STERN DRIVE
4	11-20890		1	NUT, STARTER MOTOR STUD USED WITH B-50-79823A1 STERN DRIVE
2	16-88294			STUD,STARTER MOTOR USED WITH B-50-79822A2 STERN DRIVE
3	12-29245		1	WASHER, STARTER MOTOR STUDB-50-79822A2 STERN DRIVE
4	11-29031		1	NUT, STARTER MOTOR STUD B-50-79822A2 STERN DRIVE
5	35363		1	BRACE, STARTER MOTOR STERN DRIVE
6	10-35765		1	SCREW, BRACE TO ENGINE (5/8") STERN DRIVE
7	10-94435		1	SCREW, STARTER MOTOR TO CYLINDER BLOCK (4 21/32") STERN DRIVE
	10-34544		1	SCREW, STARTER MOTOR TO CYLINDER BLOCK (1 15/16") STERN DRIVE
	10-47462		2	SCREW, STARTER MOTOR TO CYLINDER BLOCK (1 1/4") INBOARD
8	13-32993		2	LOCKWASHER, STARTER MOTOR SCREW INBOARD
9	11-32219		OPT	NUT, STARTER TERMINAL - NON METRIC
	11-40020--4		OPT	NUT, STARTER TERMINAL - METRIC
10	13-26995		2	LOCKWASHER, STARTER TERMINAL (#8)
11	11-26419		2	NUT, STARTER TERMINAL (#8)
12	34625		1	WATER TEMPERATURE SENDER ASSEMBLY
13	13-26996		1	LOCKWASHER, WATER TEMPERATURE SENDER TERMINAL (#10)
14	11-68219		1	NUT, WATER TEMPERATURE SENDER TERMINAL (#10)
15	90806		1	OIL PRESSURE SENDER ASSEMBLY
16	13-26996		1	LOCKWASHER, OIL PRESSURE SENDER TERMINAL (#10)
17	11-68219		1	NUT, OIL PRESSURE SENDER TERMINAL (#10)
18	22-46932		1	ELBOW, OIL PRESSURE SENDER
19	22-73676		1	NIPPLE, OIL PRESSURE SENDER
20	69729		1	ALTERNATOR ASSEMBLY (DELCO REMY #1102496) SERIAL 00000000-#4887829
21	10-20055		1	SCREW, GROUND CABLE TO ALTERNATOR SERIAL 00000000-#4887829
22	13-26996		1	LOCKWASHER, GROUND CABLE SCREW SERIAL 00000000-#4887829

CONTINUED ON NEXT PAGE ➡

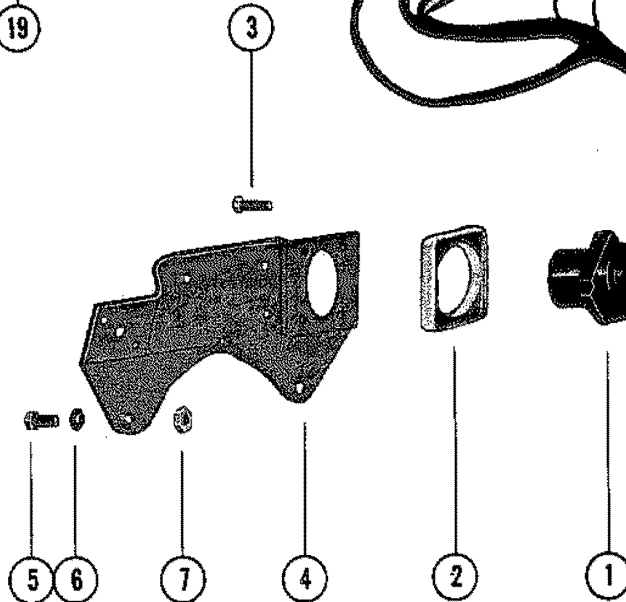
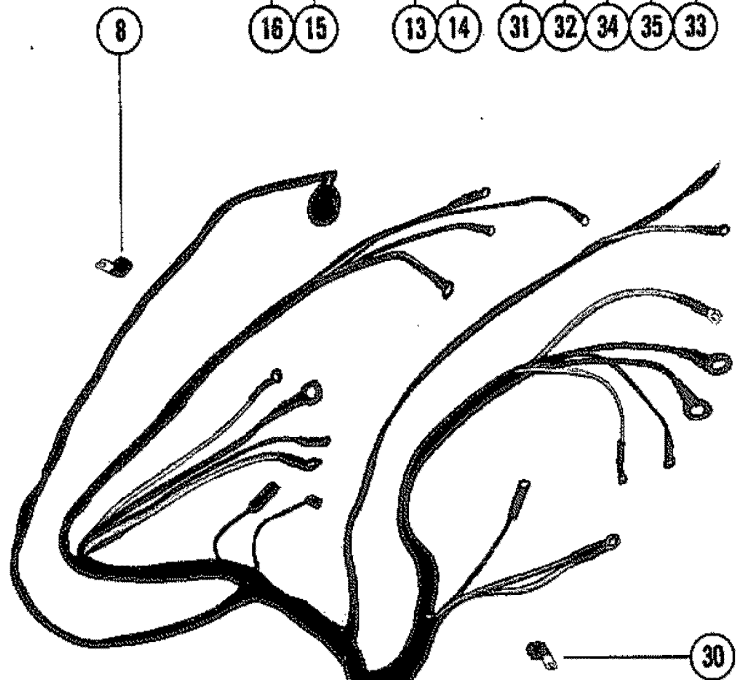
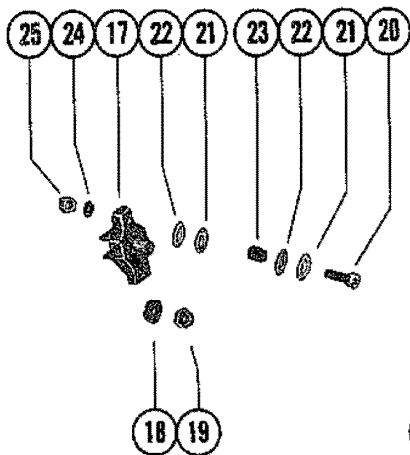
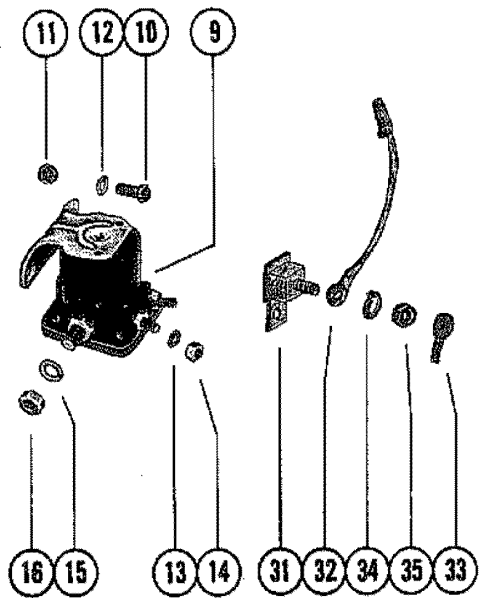
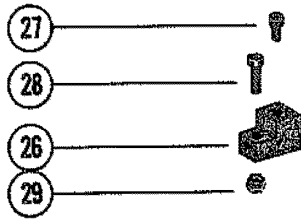
STARTER MOTOR AND ALTERNATOR



STARTER MOTOR AND ALTERNATOR

REF. NO.	PART NO.	SYM.	QTY.	DESCRIPTION
23	12-30164		1	WASHER, GOUND CABLE SCREW SERIAL 00000000-#4887829
24	13-26991		1	LOCKWASHER, ALTERNATOR TERMINAL SERIAL 00000000-#4887829
	12-96457		1	WASHER, BOOT ATTACHING (PH ENOLIC) SERIAL 00000000-#4887829
25	11-68531		1	NUT, ALTERNATOR TERMINAL SERIAL 00000000-#4887829
20	78403A1		1	ALTERNATOR ASSEMBLY (MOTORAOLA #8MR2023F) SERIAL #4887830-09999999
22	13-26996		1	LOCKWASHER, ALTERNATOR TERMINAL NUT SERIAL #4887830-09999999
24	13-26992		1	LOCKWASHER, ALTERNATOR TERMINAL NUT SERIAL #4887830-09999999
25	11-30968		1	NUT, TERMINAL STUD SERIAL #4887830-09999999
	11-20890		1	NUT, TERMIANL STUD SERIAL #4887830-09999999
26	85013		1	BRACE, ALTERNATOR ADJUSTING
27	10-29198		1	SCREW, ALTERNATOR BRACE TO ALTERNATOR (7/8") - NON POWR STEE
	10-73657		1	SCREW, ALTERNATOR BRACE TO ALTERNATOR (1 1/2") - POWER STEER
28	13-39107		1	LOCKWASHER, ALTERNATOR BRACE SCREW
29	12-26168		1	WASHER, ALTERNATOR BRACE SCREW
31	10-27165		1	SCREW, ALTERNATOR BRACE TO CYLINDER BLOCK (3/4") SERIAL 00000000-#5182832
32	13-35048		1	LOCKWASHER, ALTERNATOR SERIAL 00000000-#5182832
31&32	23-36534		1	SPACER, ALTERNATOR BRACE SERIAL #5182833-09999999
33	12-20553		1	WASHER, ALTERNATOR BRACE SCREW
34	48104		1	BRACKET, ALTERNATOR MOUNTING
35	10-76926		3	SCREW, ALTERNATOR BRACKET TO EXHAUST MANIFOLD (7/8")
36	13-35048		3	LOCKWASHER, ALTERNATOR BRACKET SCREW
37	10-48308		1	SCREW, ALTERNATOR TO ALTERNATOR BRACKET (3 3/4")
38	23-33186		1	BUSHING, ALTERNATOR TO BRACKET SCREW
39	12-20553		2	WASHER, ALTERNATOR BRACKET SCREW
40	11-23161		1	NUT, ALTERNATOR BRACKET SCREW

WIRING HARNESS, CIRCUIT BREAKER AND STARTER SOLENOID

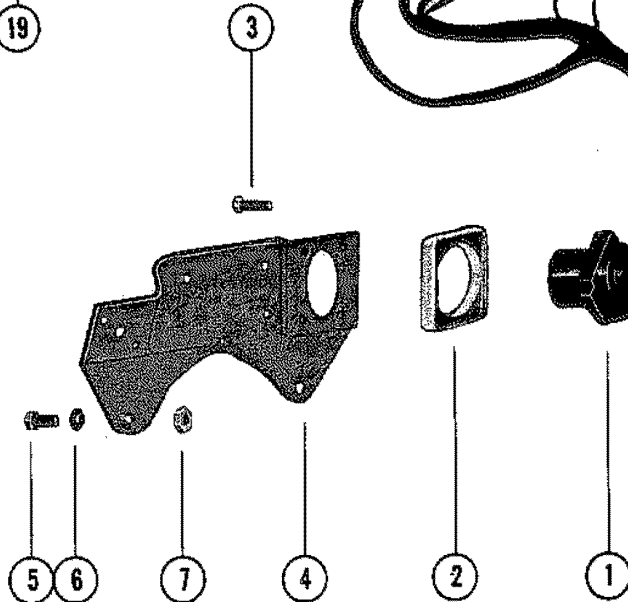
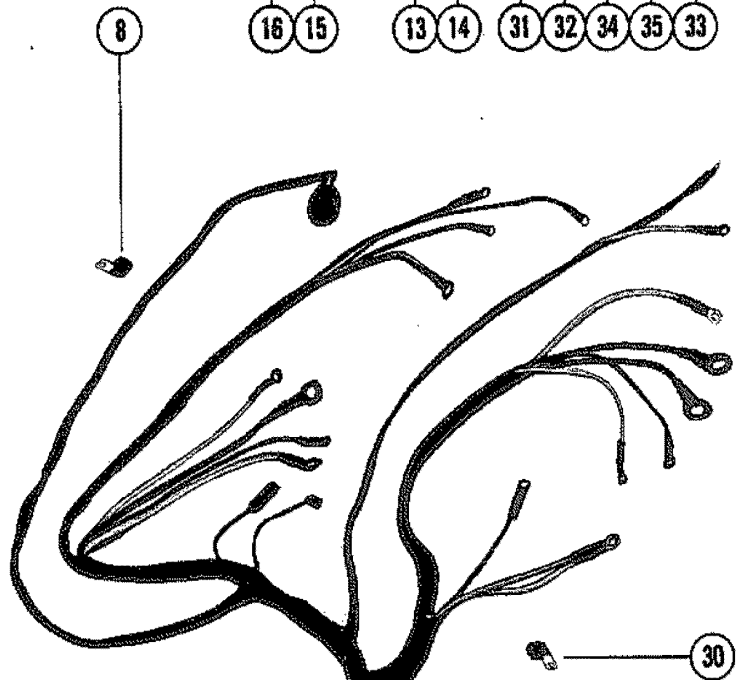
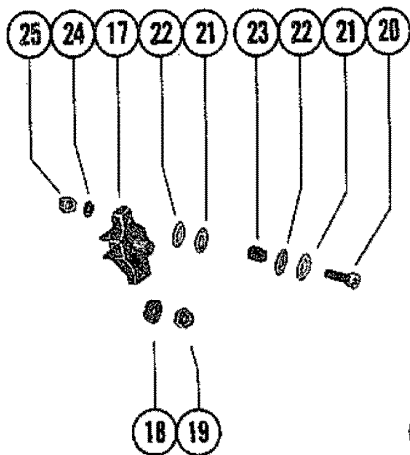
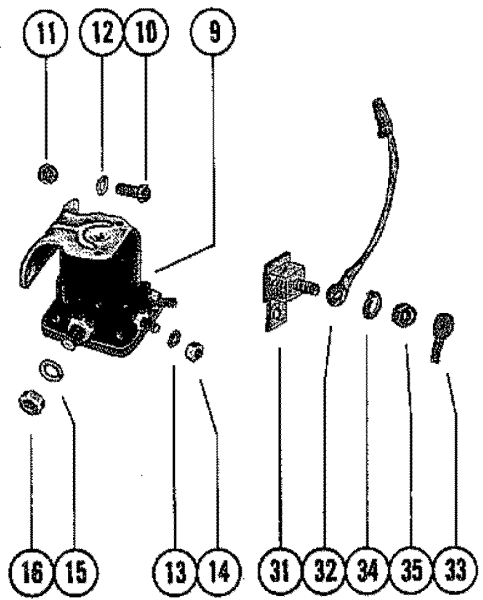
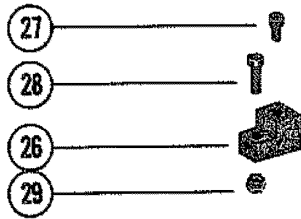


WIRING HARNESS, CIRCUIT BREAKER AND STARTER SOLENOID

REF. NO.	PART NO.	SYM.	QTY.	DESCRIPTION
1	84-77439		1	WIRING HARNESS (STERN DRIVE) (FUSED ENGINES)
	84-86676A2		1	WIRING HARNESS (STERN DRIVE) SERIAL 00000000-#5820292
	84-93177A1		1	WIRING HARNESS (STERN DRIVE) SERIAL #5820293-09999999
	84-78266A1		1	WIRING HARNESS (INBOARD)
2	26079		1	PALTE, WIRING HARNESS TO MOUNTING BRACKET
3	10-46718		4	SCREW, WIRING HARNESS PLATE TO MOUNTING BRACKET (3/4")
4	77440		1	BRACKET, MOUNTING STERN DRIVE
5	10-34354		2	SCREW, MOUNTING BRACKET ATTACHING (1 1/2") STERN DRIVE
4	64709		1	BRACKET, MOUNTING INBOARD
5	10-52498		2	SCREW, MOUNTING BRACKET ATTACHING (1 1/4") INBOARD
6	13-35048		2	LOCKWASHER, MOUNTING BRACKET SCREW INBOARD
7	11-20696		2	NUT, MOUNTING BRACKET SCREW INBOARD
8	64884		1	TAB, WIRING HARNESS (USED WITH B-84-77439)
	54-55098		1	"J" CLIP (USED WIT B-84-86676A2)
9	89-76416A1		1	STARTER SOLENOID STERN DRIVE
10	10-69028		2	SCREW, STARTER SOLENOID TO BRACKET (3/4") STERN DRIVE
11	11-20361		2	NUT, STARTE RSOLENOID SCREW STERN DRIVE
9	89-68258		1	STARTER SOLENOID INBOARD
10	10-69054		2	SCREW, STARTER SOLENOID TO BRACKET (5/8") INBOARD
12	13-26992		2	LOCKWASHER, STARTER SOLENOID SCREW INBOARD
13	13-26996		2	LOCKWASHER, STARTER SOLENOID TERMINAL (#10)
14	11-68219		2	NUT, STARTER SOLENOID TERMINAL (10-32)
15	13-26993		2	LOCKWASHER, STARTER SOLENOID TERMINAL (5/16")
16	11-68292		2	NUT, STARTER SOLENOID TERMINAL (5/16")
17	88-65093		1	CIRCUIT BREAKER (SERIAL #4887829 AND BELOW)
18	13-26996		2	LOCKWASHER, CIRCUIT BREAKER TERMINAL
19	11-68219		2	NUT, CIRCUIT BREAKER TERMINAL
20	10-24637		2	SCREW, CIRCUIT BREAKER TO BRACKET (7/8") - STERN DRIVE
	10-47618		2	SCREW, CIRCUIT BREAKER TO BRACKET (1") INBOARD
21	25-61999		4	GROMMET, CIRCUIT BREAKER SCREW INBOARD
22	12-47960		4	WASHER, CIRCUIT BREAKER SCREW INBOARD
23	23-61998		2	SPACER, CIRCUIT BREAKER GROMMET INBOARD
24	12-30164		2	WASHER, CIRUCIT BREAKER SCREW
25	11-46438		2	NUT, CIRCUIT BREAKER SCREW
26	45915		1	TERMINAL BLOCK, ROTARY TRIM SENDER STERN DRIVE
27	10-62568		2	SCREW, ROTARY TRIM SENDER LEADS STERN DRIVE
28	10-22391		1	SCREW, TERMINAL BLOCK (5/8") STERN DRIVE
29	11-46438		1	NUT, TERMINAL BLOCK SCREW STERN DRIVE
30	54-78945		3	"J" CLIP, WIRING HARNESS
	54-78944		1	"J" CLIP, WIRING HARNESS INBOARD

CONTINUED ON NEXT PAGE ➡

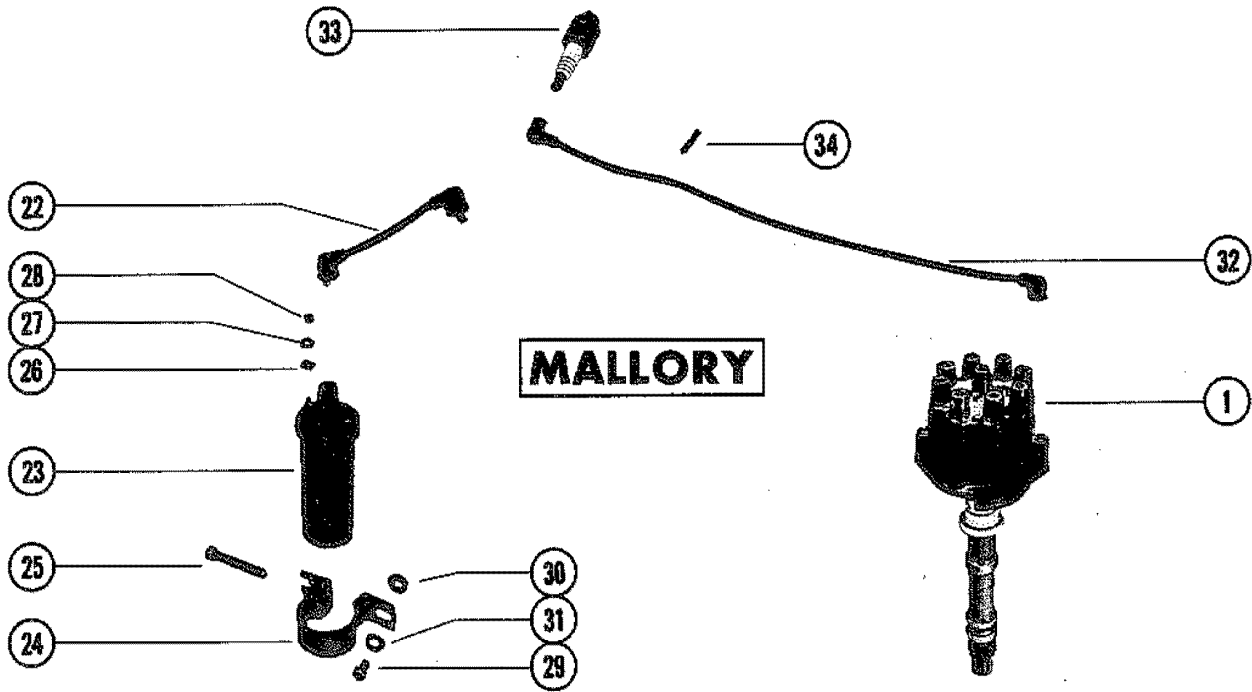
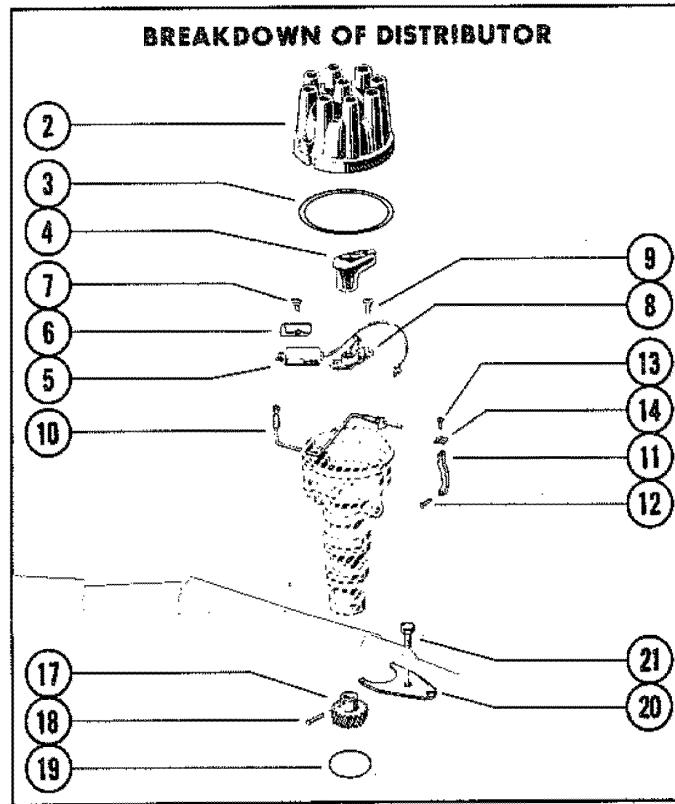
WIRING HARNESS, CIRCUIT BREAKER AND STARTER SOLENOID



WIRING HARNESS, CIRCUIT BREAKER AND STARTER SOLENOID

REF. NO.	PART NO.	SYM.	QTY.	DESCRIPTION
30	54-73668		1	"J" CLIP, WIRING HARNESS INBOARD
31	88-79023A55		OPT	FUSE ASSEMBLY, 55 AMP FUSED ENGINES
	88-79023A90		OPT	FUSE ASSEMBLY, 90 AMP FUSED ENGINES
32	84-63434A1		1	JUMPER WIRE, 90 AMP FUSE FUSED ENGINES
33	85-79695		1	BOOT, INSULATOR - FUSE STUD FUSED ENGINES
34	13-24669		1	LOCKWASEHR, FUSE - STUD NUT FUSED ENGINES
35	11-21825		1	NUT, FUSE STUD FUSED ENGINES

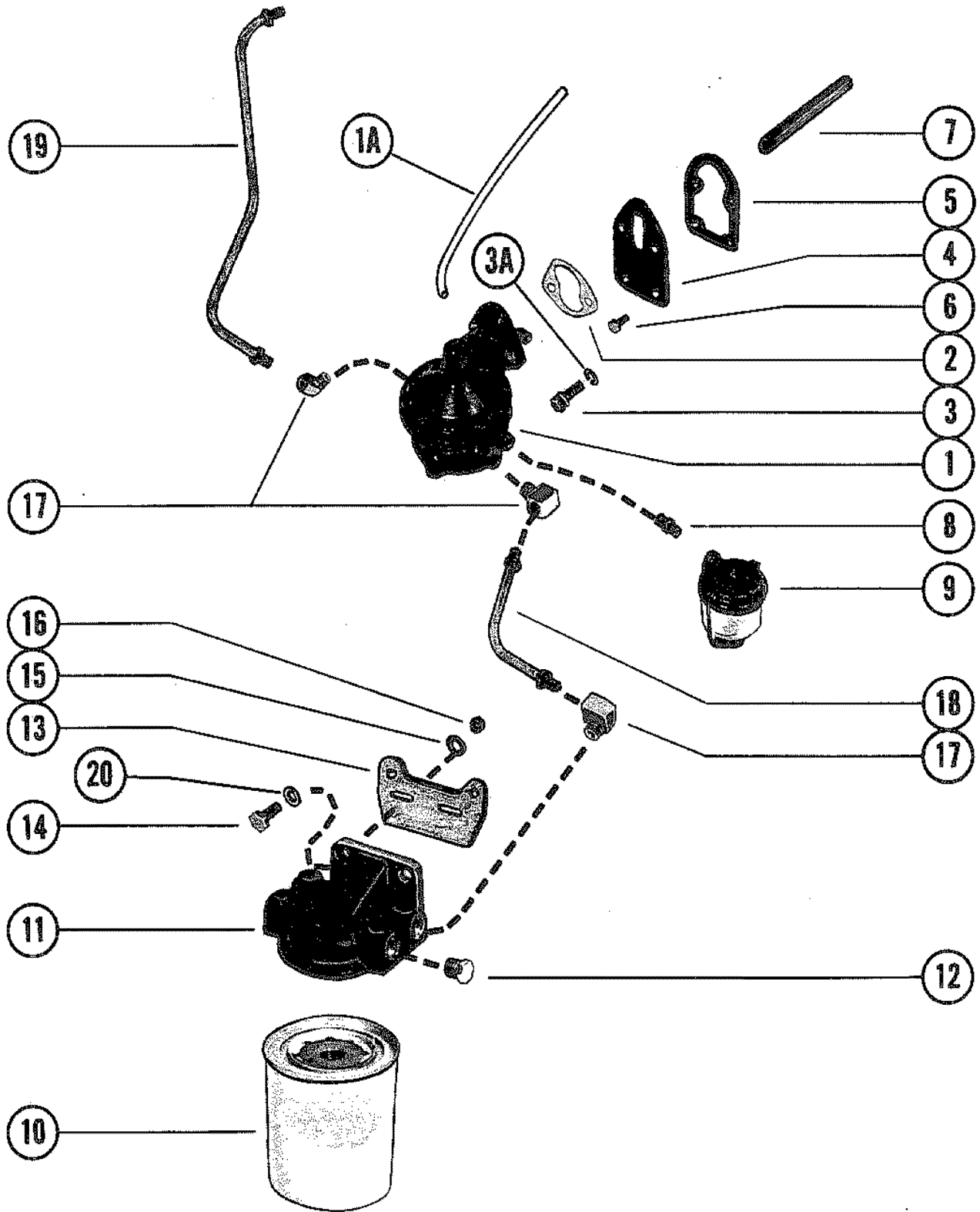
DISTRIBUTOR ASSEMBLY (MALLORY)



DISTRIBUTOR ASSEMBLY (MALLORY)

REF. NO.	PART NO.	SYM.	QTY.	DESCRIPTION
1	91823A3		1	DISTRIBUTOR ASSEMBLY, COMPLETE
2	391-5075		1	CAP, DISTRIBUTOR
3	391-5076		1	GASKET, DISTRIBUTOR CAP
4	391-7057		1	ROTOR
5	391-5092		1	CONDENSER
6	391-5093		1	BRACKET, CONDENSER ATTACHING
7	391-5091		1	SCREW, BREAKER ATTACHING
8	391-5090		1	BREAKER ASSEMBLY
9	391-5089		1	SCREW, BREAKER ATTACHING
10	84-65773A6		1	LEAD ASSEMBLY, PRIMARY TERMINAL
11	391-5085		2	CLAMP, DISTRIBUTOR CAP ATTACHING
12	391-5084		2	PIN, CLAMP TO DISTRIBUTOR
13	391-5087		2	SCREW, DISTRIBUTOR CAP ATTACHING
14	391-5086		2	WASHER, DISTRIBUTOR CAP SCREW
17	391-6390		1	GEAR, DRIVE
18	391-6391		1	PIN, DRIVE GEAR
19	27-52184		1	GASKET, DISTRIBUTOR
20	52185		1	CLAMP, DISTRIBUTOR TO INTAKE MANIFOLD
21	10-54528		1	SCREW, DISTRIBUTOR CLAMP ATTACHING (7/8")
22	84-92151A32		1	LEAD ASSEMBLY, DISTRIBUTOR TO COIL (5")
23	32193		1	COIL, IGNITION
24	77294		1	BRACKET, IGNITION COIL MOUNTING
25	10-66652		1	SCREW, BRACKET TO IGNITION COIL (1 1/2")
26	12-30164		2	WASHER, IGNITION COIL TERMINAL
27	13-26996		2	LOCKWASHER, IGNITION COIL TERMINAL
28	11-20645		2	NUT, IGNITION COIL TERMINAL
29	10-59645		2	SCREW, IGNITION COIL ATTACHING (3/4")
30	12-20084		2	WASHER, IGNITION COIL ATTACHING SCREW
31	13-26993		2	LOCKWASHER, IGNITION COIL ATTACHING SCREW
32	84-92151A36		8	LEAD ASSEMBLY, HIGH TENSION
33	33-59571		8	SPARK PLUG (AC#MR43T)
34	54676		2	RETAINER, HIGH TENSION LEADS (2 WIRE)
	32783		2	RETAINER, HIGH TENSION LEADS (3 WIRE)
	32784		2	RETAINER, HIGH TENSION LEADS (4 WIRE)

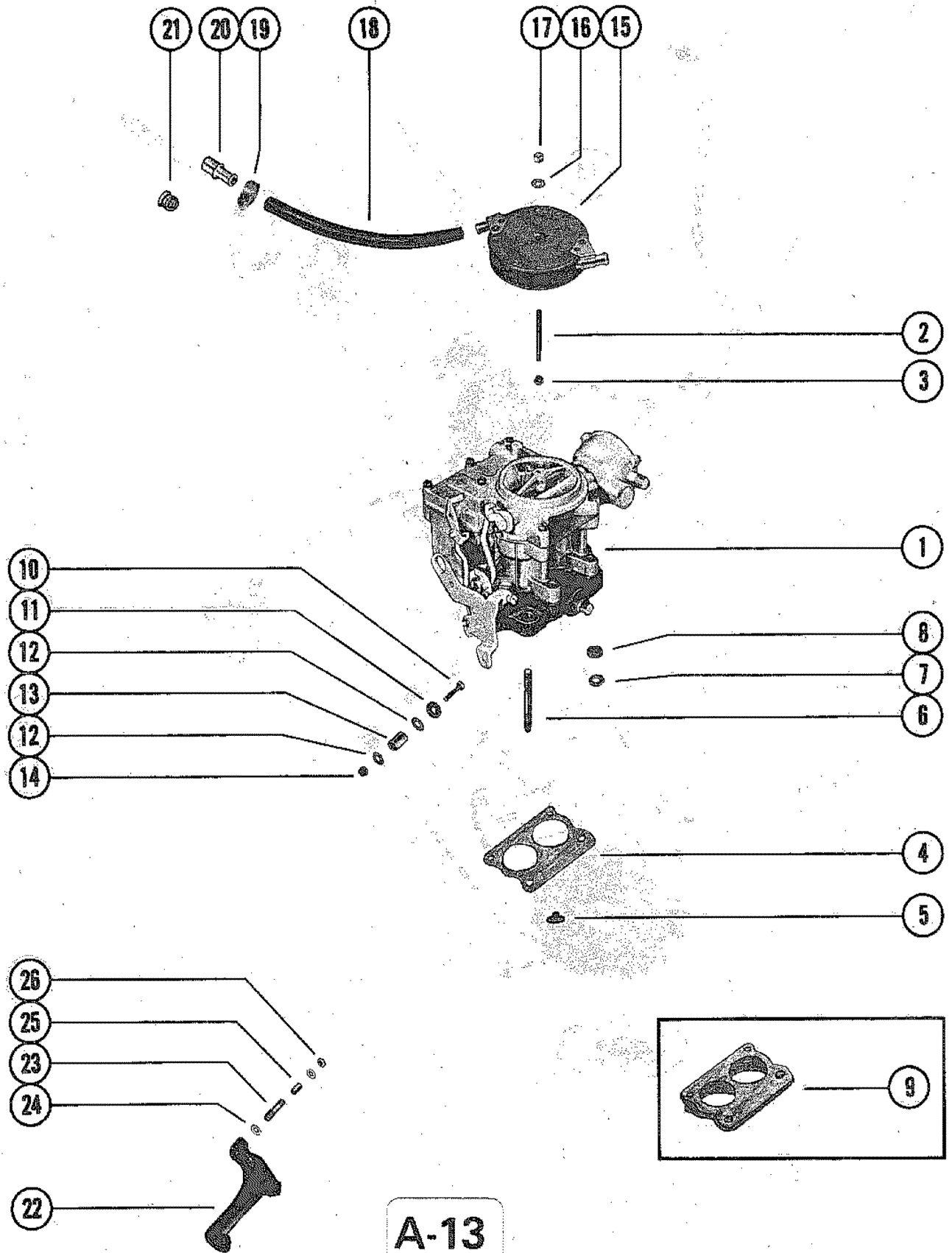
FUEL PUMP AND FUEL FILTER



FUEL PUMP AND FUEL FILTER

REF. NO.	PART NO.	SYM.	QTY.	DESCRIPTION
1	86246		1	FUEL PUMP (USE WITH SIGHT GLASS)
	97401		1	FUEL PUMP (USE WITH SIGHT TUBE)
1A	32-73815--2		1	TUBING, SIGHT PUMP TO CARBURETOR
2	27-34213		1	GASKET, FUEL PUMP TO CYTLINDER BLOCK
3	10-34354		2	SCREW, FUEL PUMP TO MOUNTING PLATE (1 1/2)
3A	13-35048		2	LOCKWASHER, FUEL PUMP SCREW
4	35373		1	PLATE, FUEL PUMP MOUNTING
5	27-34898		1	UEL PUMP MOUNTING PLATE
6	10-34277		2	SCREW, FUEL PUMP MOUNTING PLATE
7	35377		1	ROD, PUSH- FUEL PUMP
8	22-32876		1	NIPPLE, SIGHT GLASS TO FUEL PUMP
9	47816		1	SIGHT GLASS
10	35-60494A5		1	FUEL FILTER
11	89876		1	BASE, FUEL FILTER
12	22-36382		1	PLUG, PIPE -FUEL FILTER 9EARLY MODELS)
	22-20025		1	PLUG, PIPE - FUEL FILTER (SLOTTED)
13	77453		1	BRACELET, MOUNTING - FUEL FILTER (STERN DRIVE)
	54646		1	BRACKET, MOUNTING - FUEL FILTER (INBOARD)
14	10-26066		2	SCREW, FUEL FILTER TO MOUNTING BRACKET (1 1/4")
15	12-20084		2	WASHER, FUEL FILTER SCREW
16	11-35814		2	NUT, FUEL FILTER SCREW
17	22-33821		3	ELBOW, FUEL LINE TO FUEL PUMP AND FUEL FILTER
18	32-71325		1	FUEL, FILTER TO PUMP (USE WITH SIGHT GLASS)
	32-97384		1	FUEL LINE, FILTER TO PUMP(USE WITH SIGHT TUBE)
19	32-77395		1	FUEL LINE, FUEL PUMP TO CARBURATOR(STERN DRIVE)
	32-78574		1	FUEL LINE, FUEL PUMP TO CARBURATOR(INBOARD)
20	12-53705		2	WASHER, FUEL FILTER BRACKET SCREW

CARBURETOR AND MOUNTING BRACKETS



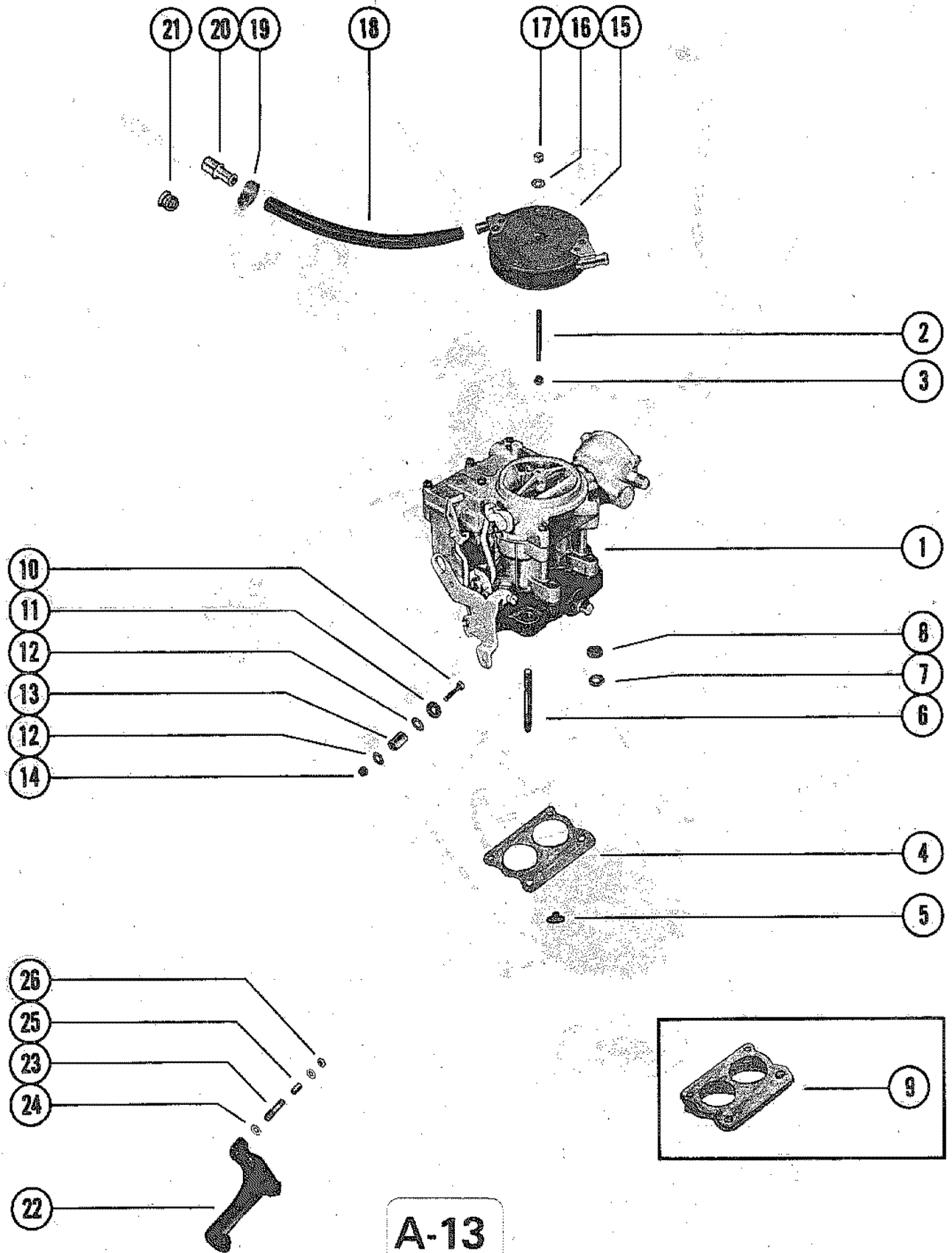
A-13

CARBURETOR AND MOUNTING BRACKETS

REF. NO.	PART NO.	SYM.	QTY.	DESCRIPTION
1	1376-6491A1		1	CARBURATOR(USE WITH SIGHT GLASS)
	1376-8295A3		1	CARBURATOR(USE WITH SIGHT TUBE)
2	16-25734		1	STUD, FLAME ARRESTOR MOUNTING-CARBURATOR
3	11-28941		1	NUT, JAM-FLAME ARRESTOR
4	27-70143		1	GASKET, CARBURATOR(2 USED ON INBOARD)
5	22-48358		1	PLUG, INTAKE MANIFOLD VACUUM HOLE
6	16-70237		2	STUD, CARBURATOR MOUNTING (2 3/4") STERN DRIVE
	16-70236		2	STUD, CARBURATOR MOUNTING(1 1/2") STERN DRIVE
7	12-20084		4	WASHER, CARBURATOR MOUNTING STUD AND SCREW STERN DRIVE
	11-46793		4	NUT, CARBURATOR MOUNTING STUD STERN DRIVE
6	16-63332		2	STUD, CARBURATOR MOUNTING(1 9/32") INBOARD
	16-78818		2	STUD, CARBURATOR MOUNTING(2 1/2") INBOARD
	16-78819		2	STUD, CARBURATOR MOUNTING(2 1/2") INBOARD
7	12-20084		6	WASHER, CARBURATOR STUDS INBOARD
8	11-46793		6	NUT, CARBURATOR STUDS INBOARD
9	77995		1	WEDGE, CARBURATOR INBOARD
10	10-37892		1	SCREW, THROTTLE CABLE TO CARBURATOR(1")
11	12-26907		1	WASHER, THROTTLE CABLE SCREW
12	12-20128		2	WASHER, THROTTLE CABLE SCREW
13	23-57938		1	BUSHING, THROTTLE CABLE SCREW
14	11-45812		1	NUT, THROTTLE CABLE SCREW
15	77611		1	FLAME ARRESTOR, CARBURATOR SERIAL 00000000-#5182832
16	12-22937		1	WASHER, FLAME ARRESTOR STUD SERIAL 00000000-#5182832
15	86271		1	FLAME ARRESTOR, CARBURATOR SERIAL #5182833-09999999
16	12-86400		1	WASHER, FLAME ARRESTOR STUD SERIAL #5182833-09999999
17	11-20586		1	NUT, FLAME ARRESTOR STUD
18	32-93315-12		2	HOSE, VENT-CARBURATOR(12 1/2")
19	54-53101		4	CLAMP, VENT HOSE ATTACHING
20	47957		2	CONNECTOR, VENT HOSE TO ROCKER COVER
21	25-52188		2	GROMMET, ROCKER COVER TO VENT HOSE CONNECTOR
22	77456		1	BRACKET, MOUNTING-THROTTLE CABLE STERN DRIVE
	70126		1	BRACKET, MOUNTING-THROTTLE CABLE INBOARD
23	16-35897		1	STUD, THROTTLE CABLE TO BRACKET (1 11/16")STERN DRIVE
24	12-21631		2	WASHER, THROTTLE CABLE STUD STERN DRIVE

CONTINUED ON NEXT PAGE ➡

CARBURETOR AND MOUNTING BRACKETS

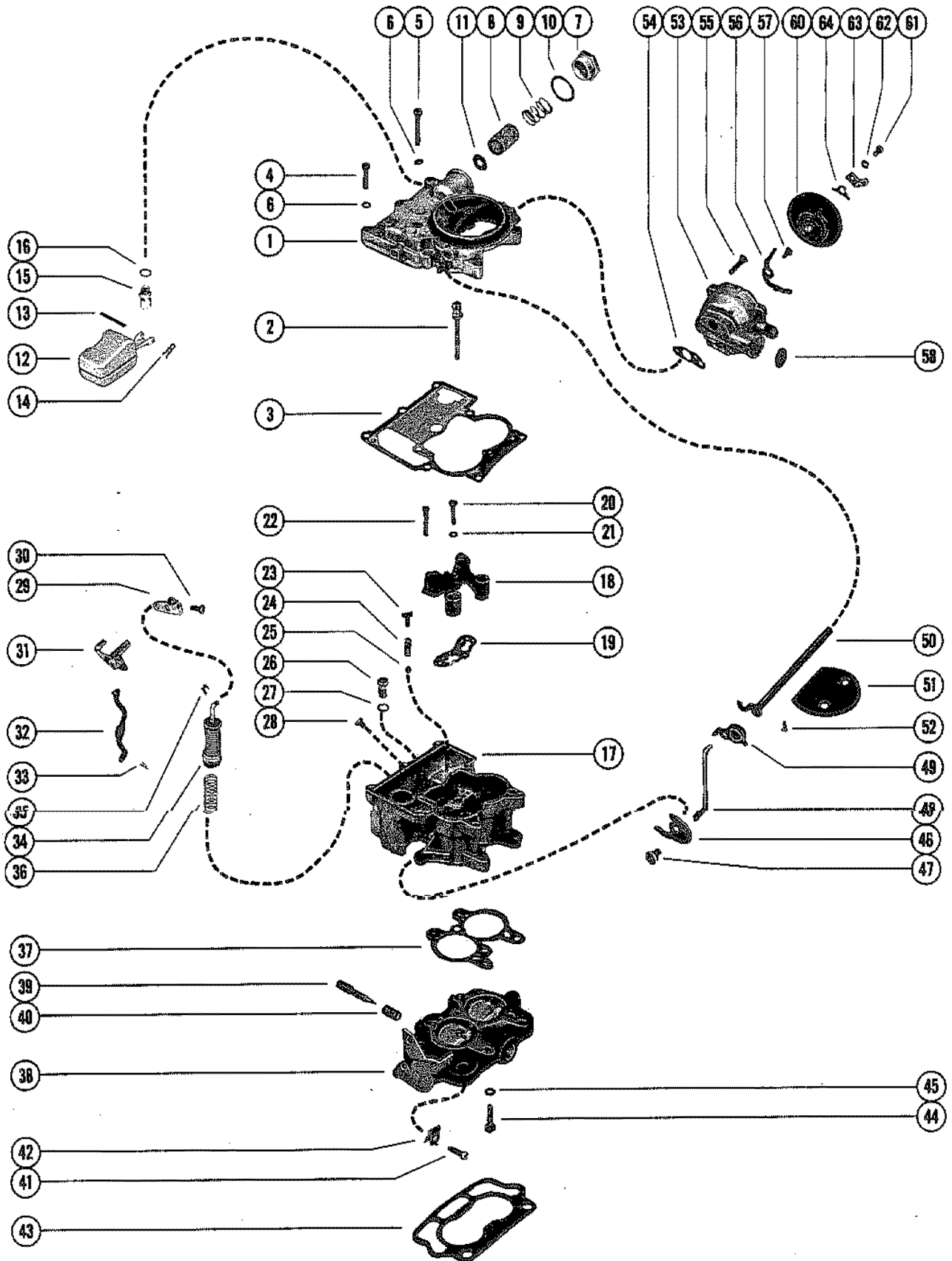


A-13

CARBURETOR AND MOUNTING BRACKETS

REF. NO.	PART NO.	SYM.	QTY.	DESCRIPTION
25	23-31866		1	SPACER, THROTTLE CABLE STUD STERN DRIVE
26	11-20586		1	NUT, THROTTLE CABLE STUD STERN DRIVE
23	16-38525		1	STUD, CABLE TO BRACKET(1 5/8")INBOARD
24	12-21631		2	WASHER, THROTTLE CABLE STUD INBOARD
26	11-20361		1	NUT, THROTTLE CABLE STUD INBOARD

CARBURETOR ASSEMBLY

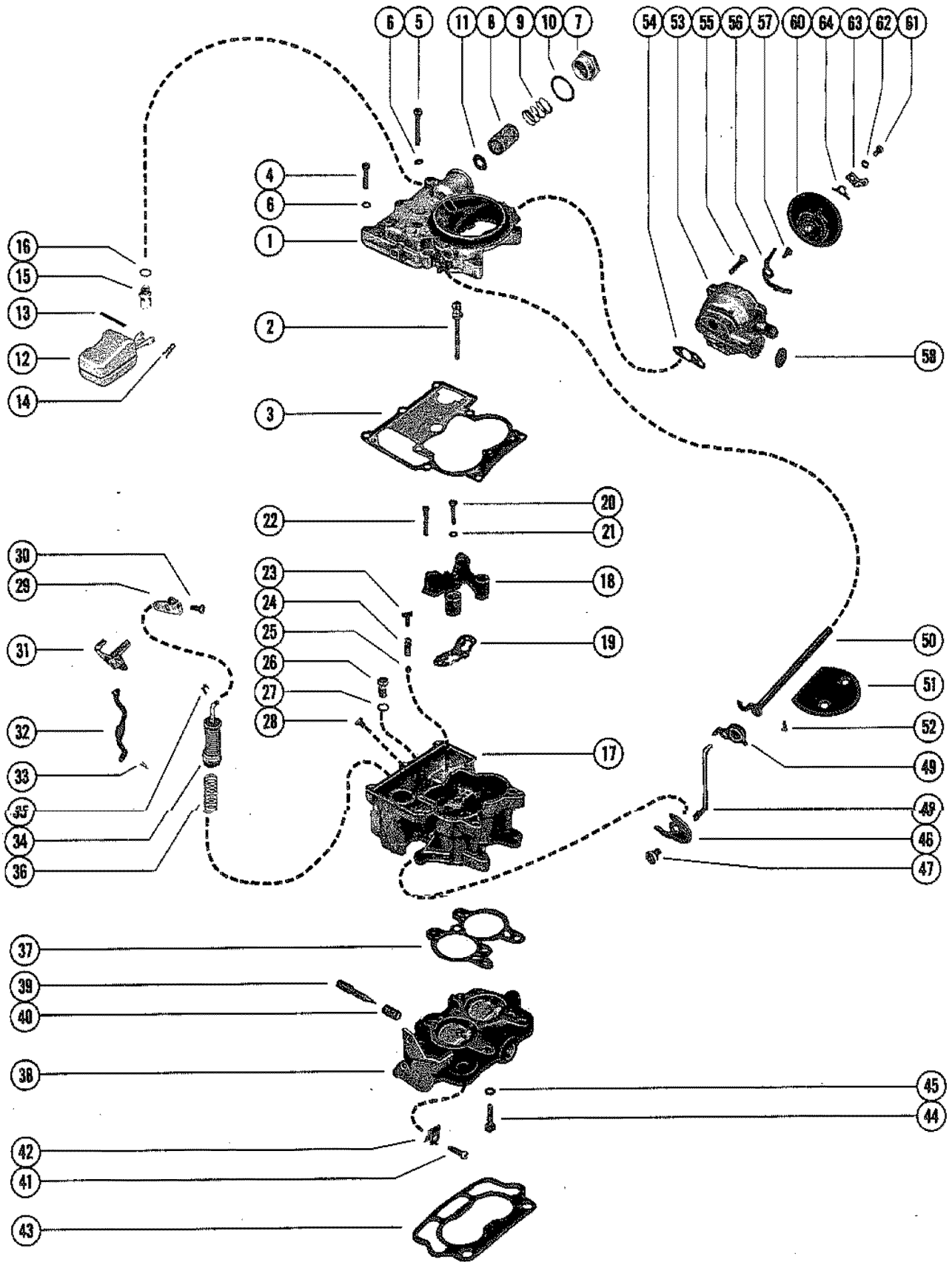


CARBURETOR ASSEMBLY

REF. NO.	PART NO.	SYM.	QTY.	DESCRIPTION
-	1376-6491A1		1	CARBURATOR ASSEMBLY, COMPLETE
1	N.S.S.		1	AIR HORN(NOT SOLD SEPARATELY)
2	N.S.S.		1	POWER PISTON ASSEMBLY(ROCHESTER #7009718)
3			1	GASKET, AIR HORN
4	10-33043		7	SCREW, AIR HORN TO FLOAT BOWL(SHORT)
5	10-33048		1	SCREW, AIR HORN TO FLOAT BOWL(LONG)
6	13-26996		8	LOCKWASHER, AIR HORN SCREW
7	1397-3330		1	NUT, FUEL INLET-AIR HORN
8	35-53336		1	FILTER, FUEL INLET-AIR HORN
9	24-48143		1	SPRING, FUEL INLET-AIR HORN
10			1	GASKET, FUEL INLET NUT(LARGE)
11			1	GASKET, FUEL INLET FILTER(SMALL)
12	1397-5837		1	FLOAT ASSEMBLY
13	N.S.S.		1	PIN, HINGE-FLOAT TO AIR HORN(ROCHESTER #7002081)
14			1	CLIP, HINGE PIN
15			1	INLET NEEDLE AND SEAT ASSEMBLY
16			1	GASKET, INLET NEEDLE AND SEAT
17	N.S.S.		1	FLOAT BOWL ASSEMBLY(ROCHESTER #17055057)
18	N.S.S.		1	VENTURI CLUSTER ASSEMBLY, FLOAT BOWL(NOT SOLD SEPARATELY)
19			1	GASKET, VENTURI CLUSTER
20	N.S.S.		1	SCREW, VENTURI CLUSTER TO FLOAT BOWL(CENTER)(ROCHESTER #700)
21			1	GASKET, VENTURI CLUSTER SCREW(CENTER)
22	N.S.S.		2	SCREW, VENTURI CLUSTER TO FLOAT BOWL(OUTER)(ROCHESTER #7045)
23			1	GUIDE, PUMP DISCHARGE-FLOAT BOWL
24			1	SPRING, PUMP DISCHARGE-FLOAT BOWL
25			1	BALL, PUMP DISCHARGE-FLOAT BOWL
26			1	POWER VALVE ASSEMBLY, FLOAT BOWL
27			1	GASKET, POWER VALVE
28	1397-6365		2	JET, FLOAT BOWL(STANDARD)
29	1397-6364		1	LEVER, PUMP-AIR HORN
30	10-33047		1	SCREW, AIR HORN PUMP LEVER
31	N.S.S.		1	PUMP SHAFT AND LEVER ASSEMBLY, AIR HORN(ROCHESTER #7038788)
32	N.S.S.		1	ROD, PUMP(ROCHESTER #7038799)
33			1	CLIP, RETAINER-PUMP ROD
34			1	PUMP ASSEMBLY, FLOAT BOWL
35			1	CLIP RETAINER-FLOAT BOWL PUMP
36			1	SPRING, PUMP RETURN-FLOAT BOWL
37			1	GASKET, THROTTLE BODY
38	N.S.S.		1	THROTTLE BODY ASSEMBLY(NOT SOLD SEPARATELY)
39			2	IDLE ADJUSTING NEEDLE, THROTTLE BODY

CONTINUED ON NEXT PAGE ➡

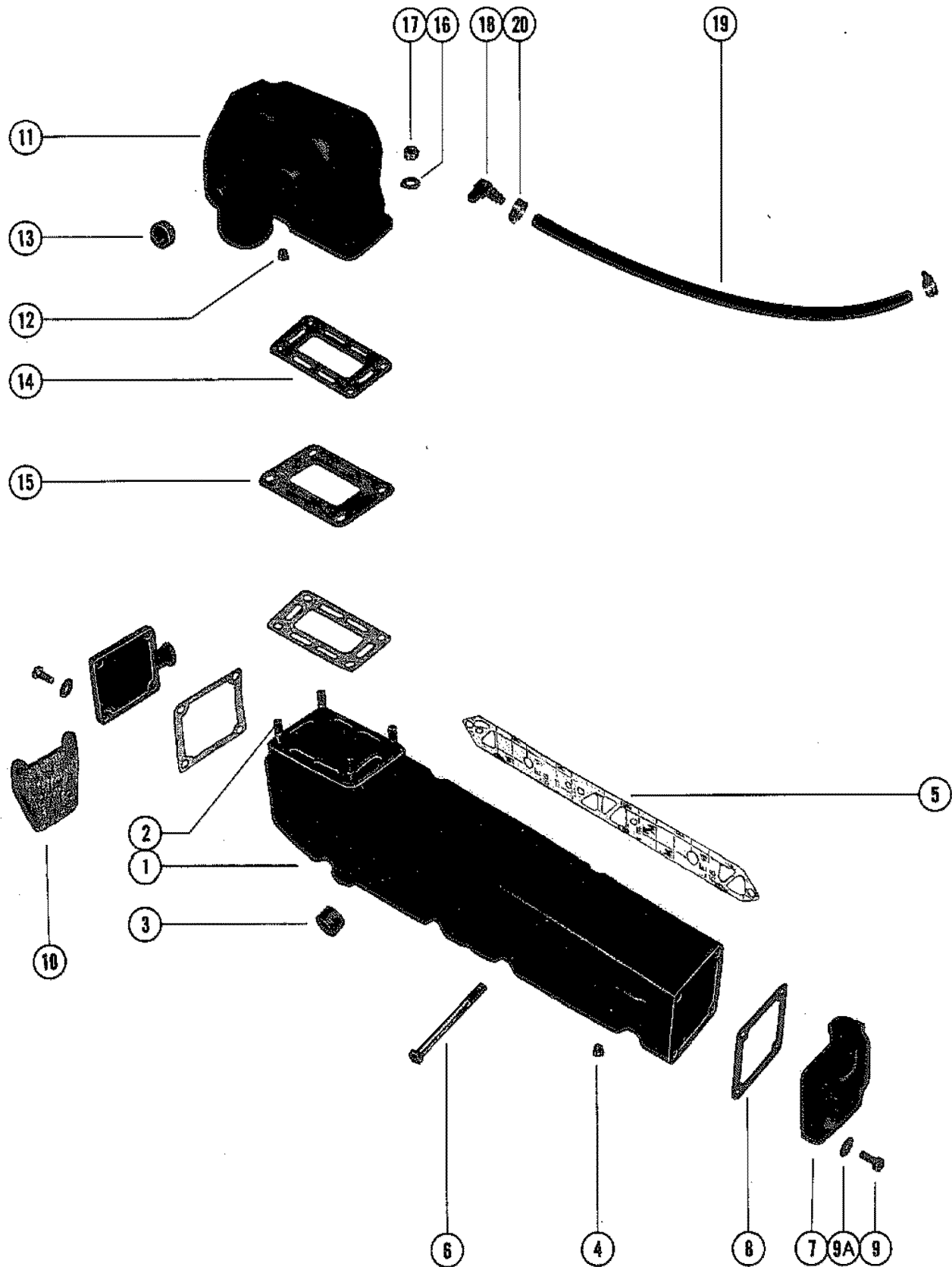
CARBURETOR ASSEMBLY



CARBURETOR ASSEMBLY

REF. NO.	PART NO.	SYM.	QTY.	DESCRIPTION
40	24-33050		2	SPRING, IDLE ADJUSTING NEEDLE
41	N.S.S.		1	IDLE STOP SCREW, THROTTLE BODY(ROCHESTER #7031547)
42	54-39108		1	CLIP, IDLE STOP SCREW
43			3	GASKET, CARBURATOR FLANGE
44	10-33052		3	SCREW, THROTTLE BODY TO FLOAT BOWL
45	13-21547		3	LOCKWASHER, THROTTLE BODY SCREW
46	1397-2071		1	CAM, FAST IDLE-FLOAT BOWL
47	10-33042		1	SCREW, FAST IDLE CAM TO FLOAT BOWL
48	N.S.S.		1	ROD, CHOKE(ROCHESTER #7038821)
49	1397-4257		1	CHOKE LEVER AND COLLAR ASSEMBLY, CHOKE SHAFT
50	1397-5840		1	CHOKE SHAFT ASSEMBLY
51	1397-5839		1	VALVE, CHOKE-CHOKE SHAFT
52	10-33045		2	SCREW, CHOKE VALVE TO CHOKE SHAFT
53	1397-5838		1	CHOKE HOUSING ASSEMBLY
54			1	GASKET, CHOKE HOUSING
55	10-33053		2	SCREW, CHOKE HOUSING TO AIR HORN
56	N.S.S.		1	LEVER ASSEMBLY, CHOKE PISTON(ROCHESTER #7010051)
57	10-33056		1	SCREW, CHOKE PISTON LEVER TO CHOKE HOUSING
58	19-33041		1	WELCH PLUG, CHOKE HOUSING
60	70125		1	COVER, CHOKE
61	10-33047		3	SCREW, CHOKE COVER TO CHOKE HOUSING
62	13-26995		1	LOCKWASHER, CHOKE COVER SCREW
63	86-70879		2	TERMINAL, CHOKE COVER SCREW
64	54-33036		3	RETAINER, CHOKE COVER SCREW
-	1397-7099		1	OVERHAUL KIT
-	1397-5832		1	GASKET KIT

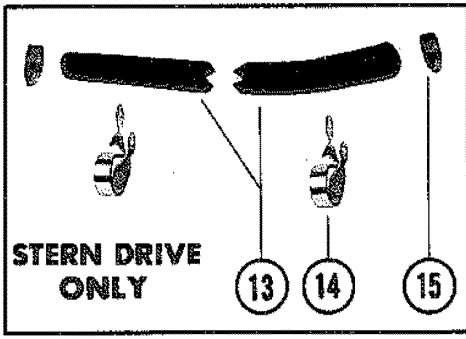
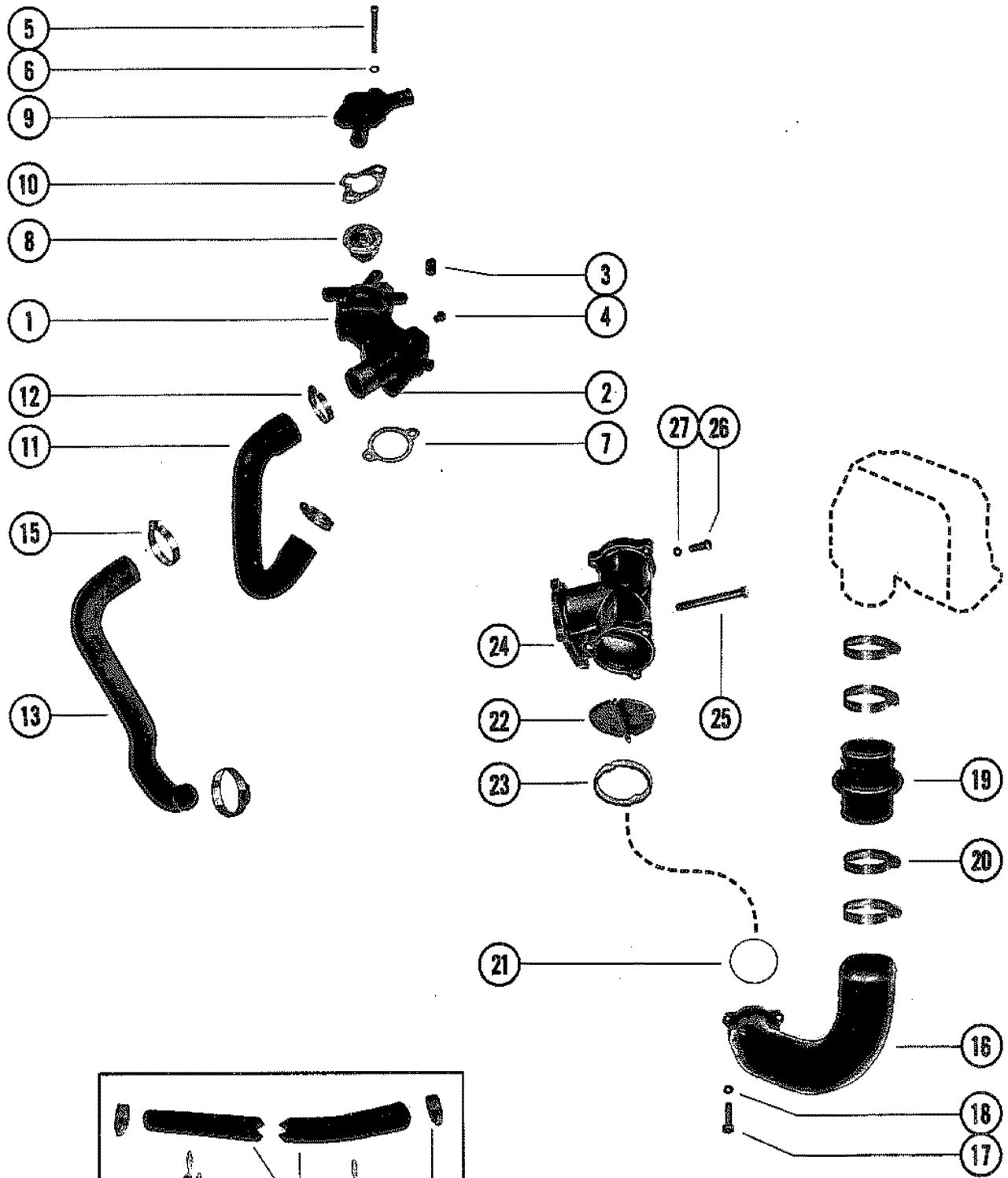
EXHAUST MANIFOLD AND EXHAUST ELBOW



EXHAUST MANIFOLD AND EXHAUST ELBOW

REF. NO.	PART NO.	SYM.	QTY.	DESCRIPTION
1	77234A2		1	EXHAUST MANIFOLD ASSEMBLY, PORT
	77235A2		1	EXHAUST MANIFOLD ASSEMBLY, STARBOARD
2	16-49545		8	STUD, EXHAUST MANIFOLD TO EBOW (1 3/4")
3	22-48118		6	PLUG, EXHAUST MANIFOLD
4	22-32892		2	PLUG, PIPE-EXHAUST MANIFOLD
5	26-33395		2	GASKET, EXHAUST MANIFOLD TO CYLINDER HEAD
6	10-53728		8	SCREW, EXHAUST MANIFOLD TO CYLINDER HEAD (4 5/8")
7	60252		4	END CAP/CONNECTOR, EXHAUST MANIFOLD
8	27-48043		4	GASKET, END CAP/CONNECTOR TO EXHAUST MANIFOLD
9	10-35386		12	SCREW, END CAP TO MANIFOLD (1") STERN DRIVE
	10-73657		4	SCREW, END CAP TO MANIFOLD (1 1/2") STERN DRIVE
	10-35386		14	SCREW, END CAP TO MANIFOLD (1") INBOARD
	10-53016		2	SCREW, END CAP AND FUEL FILTER BRACKET (1 1/4") INBOARD
9A	12-53705		2	WASHER, END CAP SCREW STERN DRIVE
10	54869		1	BRACKET, SOLENOID MOUNTING (STARBOARD SIDE) STERN DRIVE
11	76351A1		2	EXHAUST ELBOW ASSEMBLY (STERN DRIVE)
	76771A2		2	EXHAUST ELBOW ASSEMBLY (INBOARD)
12	22-32892		2	PLUG, PIPE-EXHAUST ELBOW
13	22-33198A1		8	PLUG, EXHAUST ELBOW
14	27-52076		4	GASKET, ELBOW TO MANIFOLD
15	60207		2	PLATE, EXHAUST ELBOW TO MANIFOLD (STERN DRIVE)
	55730		2	PLATE, EXHAUST ELBOW TO MANIFOLD (INBOARD)
16	13-35048		8	LOCKWASHER, EXHAUST ELBOW TO EXHAUST MANIFOLD STUD
17	11-49838		8	NUT, EXHAUST ELBOW TO EXHAUST MANIFOLD STUD
18	22-45084		2	FITTING, EXHAUST ELBOW

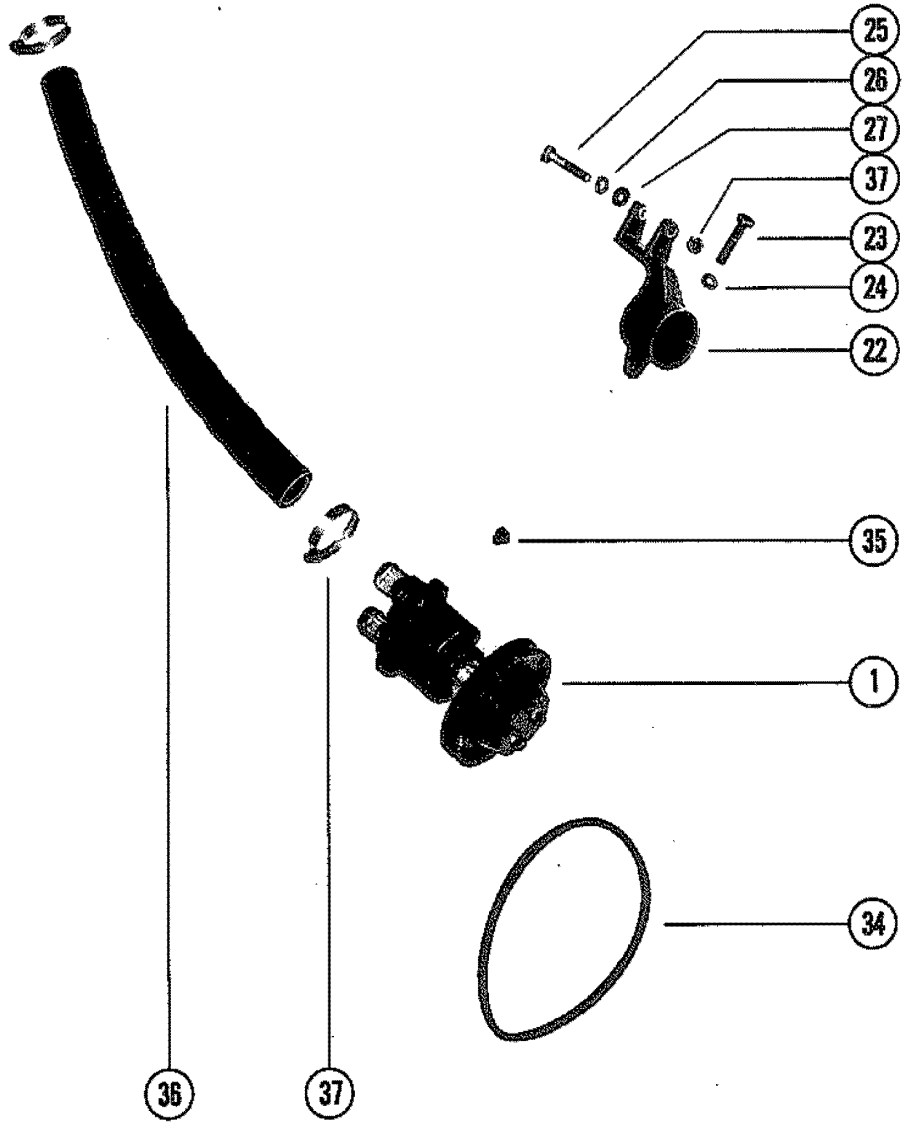
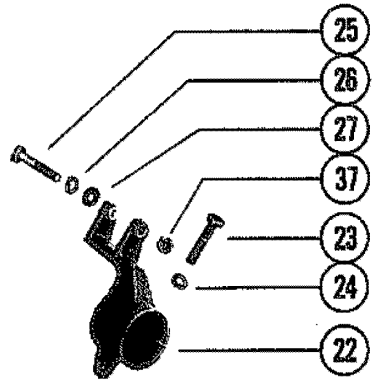
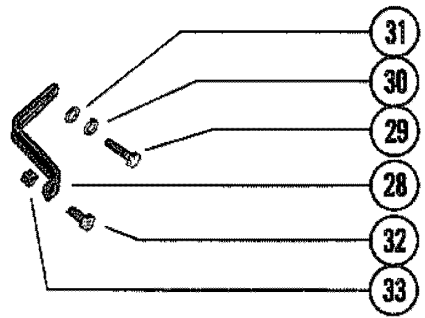
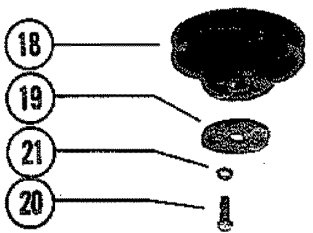
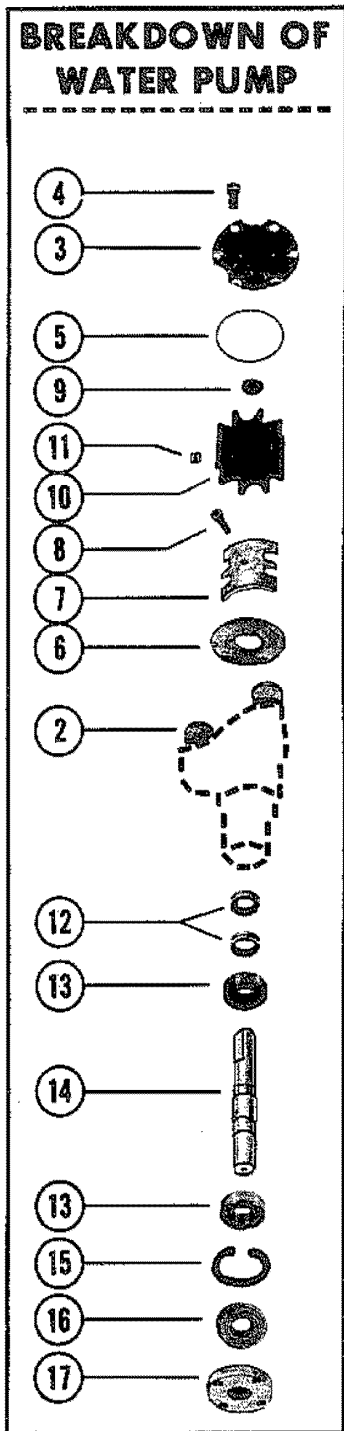
THERMOSTAT HOUSING



THERMOSTAT HOUSING

REF. NO.	PART NO.	SYM.	QTY.	DESCRIPTION
1	78984A1		1	THERMOSTAT HOUSING ASS'Y
2	23-47511		1	SLEEVE, THERMOSTAT HOUSING
3	22-47540		2	PLUG, ALLEN HEAD
4	22-33198A1		1	PLUG, PIPE
5	10-33389		2	SCREW, HOUSING TO INTAKE MANIFOLD (4 1/4")
6	13-37459		2	LOCKWASHER, THERMOSTAT HOUSING SCREW
7	27-53045		1	GASKET, THERMOSTAT HOUSING
8	59137		1	THERMOSTAT (143 DEGREE)
9	47441		1	COVER, THERMOSTAT
10	27-48818		1	GASKET, THERMOSTAT COVER
11	32-33189		1	HOSE, THERMOSTAT HOUSING TO WATER PUMP (MOLDED)
12	54-32781		2	CLAMP, HOSE TO THERMOSTAT HOUSING AND WATER PUMP
13	32-77479A1		1	HOSE ASS'Y, HOUSING TO TRANSOM (POWER STEERING) STERN DRIVE
	32-76847A1		1	HOSE ASS'Y, HOUSING TO TRANSOM (NON-POWER STEERING) STERN DRIVE
14	54-47715		1	CLAMP, HOSE ATTACHING NON POWER STEERING STERN DRIVE
	54-64489		1	CLAMP, HOSE ATTACHING STERN DRIVE
15	54-32780		2	CLAMP, HOSE ATTACHING (POWER STEERING) STERN DRIVE
16	73738		2	ELBOW, EXHAUST STERN DRIVE
17	10-60992		6	SCREW, EXHAUST ELBOW (1 1/4") STERN DRIVE
18	13-35048		6	LOCKWASHER, ELBOW SCREW STERN DRIVE
19	70981		2	BELLOWS, EXHAUST ELBOW STERN DRIVE
20	54-33683		4	CLAMP, BELLOW TO EXHAUST ELBOW (UPPER) STERN DRIVE
	54-31765		4	CLAMP, BELLOW TO EXHAUST ELBOW (LOWER) STERN DRIVE
21	25-35029		2	"O" RING, EXHAUST ELBOW TO TRANSOM PLATE STERN DRIVE
22	60930		2	SHUTTER, WATER EXHAUST SEPARATOR STERN DRIVE
23	60931		2	RETAINER, WATER SHUTTER STERN DRIVE
24	59825		1	SEPARATOR, EXHAUST STERN DRIVE
25	10-60835		1	SCREW, SEPARATOR TO HOUSING (5") STERN DRIVE
26	10-37612		4	SCREW, SEPARATOR TO HOUSING (1 1/4") STERN DRIVE
27	13-35048		5	LOCKWASHER, SEPARATOR SCREW STERN DRIVE

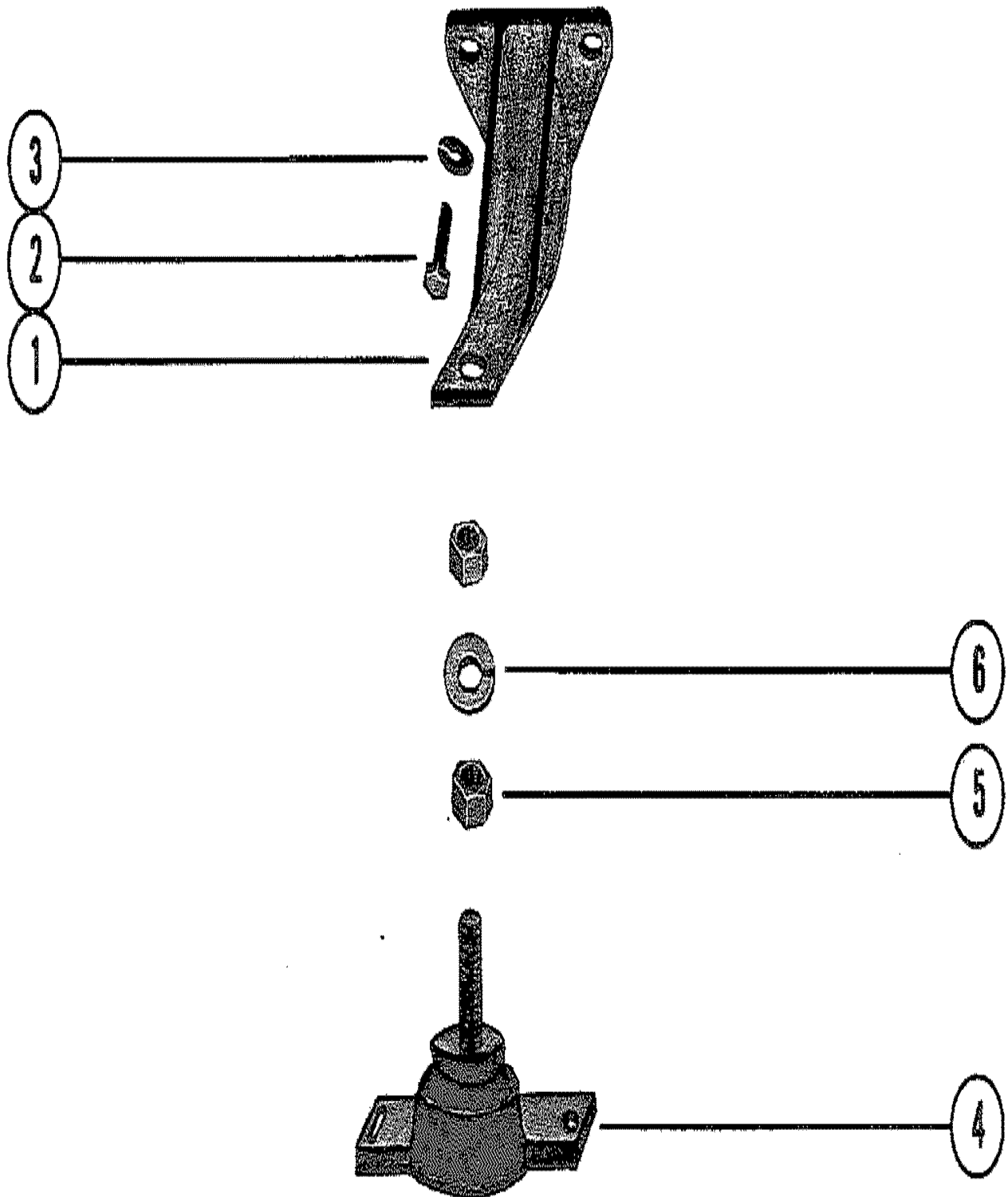
WATER PUMP ASSEMBLY



WATER PUMP ASSEMBLY

REF. NO.	PART NO.	SYM.	QTY.	DESCRIPTION
1	46-73823A7		1	WATER PUMP ASSEMBLY (PLASTIC BODY)
2	23-47511		2	SLEEVE, WATER (OUTLET AND INLET)
3	59155		1	COVER, WATER PUMP
4	10-28635		6	SCREW, COVER TO BODY
5	25-59712		1	"O" RING, WATER PUMP BODY COVER
6	59503		1	WEAR PLATE
7	59363A1		1	CAM SEGMENT ASSEMBLY
8	10-60777		1	SCREW, CAM SEGMENT
9	19-59504		1	PLUG, IMPELLER
10	47-59362A1		1	IMPELLER ASSEMBLY
11	28-56662		1	KEY, IMPELLER DRIVE
12	26-23300		2	OIL SEAL, WATER PUMP SHAFT
13	20-72961		2	BALL BEARING, WATER PUMP SHAFT
14	59501		1	SHAFT, WATER PUMP
15	53-23720		1	RING, SNAP-BALL BEARING RETAINER
16	26-72785		1	OIL SEAL, WATER PUMP SHAFT
17	47530		1	HUB, WATER PUMP PULLEY
18	73798		1	PULLEY, WATER PUMP
19	58265		1	CLAMPING RING, PUMP PULLEY
20	10-47277		4	SCREW, PULLEY TO WATER PUMP
21	13-39107		4	LOCKWASHER, WATER PUMP PULLEY SCREW
22	47488		1	BRACKET, WATER PUMP
23	10-34354		1	SCREW, WATER PUMP BRACKET CLAMPING
24	13-35048		1	LOCKWASHER, WATER PUMP BRACKET SCREW
25	10-34353		1	SCREW, WATER PUMP BRACKET TO ENGINE (1")
26	13-35048		1	LOCKWASHER, WATER PUMP BRACKET SCREW
27	12-20553		1	WASHER, WATER PUMP BRACKET SCREW
28	47544		1	BRACE, WATER PUMP ADJUSTING
29	10-34353		1	SCREW, BRACE TO STEERING PUMP
30	13-35048		1	LOCKWASHER, ADJUSTING BRACE SCREW
31	12-34714		1	WASHER, ADJUSTING BRACE SCREW
32	10-35786		1	SCREW, ADJUSTING BRACE TO BRACKET SCREW (1")
33	11-24883		1	NUT, ADJUSTING BRACE SCREW
34	57-74271		1	BELT, WATER PUMP
35	22-32802		1	PLUG, PIPE (FOR WATER PUMP BODY)
36	32-57230		1	HOSE, MOLDED-WATER PUMP TO TRANSMISSION COOLER
37	54-32780		2	CLAMP, HOSE ATTACHING

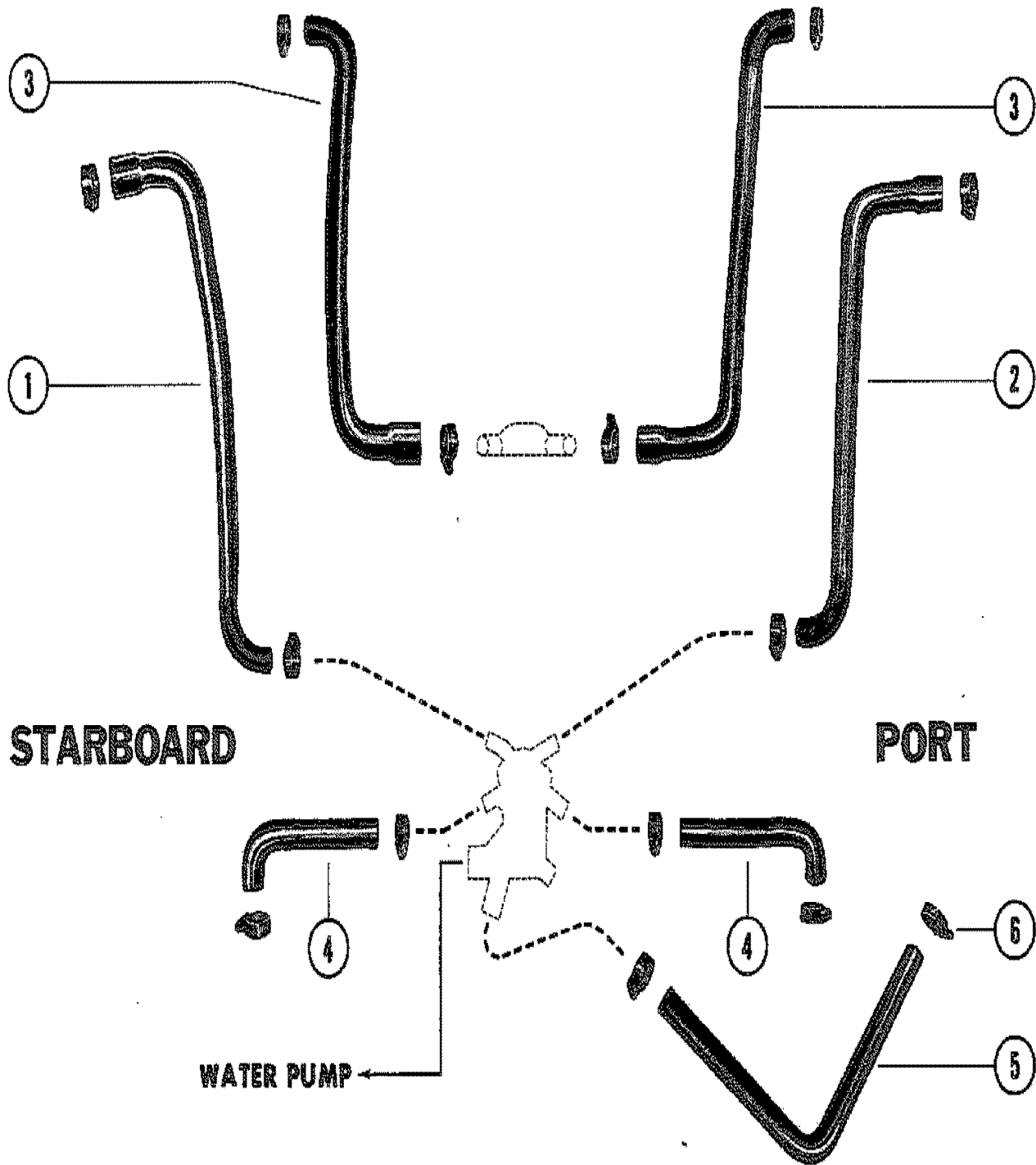
ENGINE MOUNTING



ENGINE MOUNTING

REF. NO.	PART NO.	SYM.	QTY.	DESCRIPTION
1	70938		2	BRACKET, MOUNTING - ENGINE SERIAL 00000000-#4941054
2	10-37612		6	SCREW, BRACKET TO ENGINE (1 1/4") SERIAL 00000000- #4941054
1	79550		2	BRACKET, MOUNTING - ENGINE SERIAL #4941055-09999999
2	10-37612		4	SCREW, BRACKET TO ENGINE (1 1/4") SERIAL #4941055- 09999999
	10-48424		2	SCREW, BRACKET TO ENGINE (1 5/8")
3	13-35048		6	LOCKWASHER, MOUNTING BRACKET SCREW
4	66284		2	BRACKET, MOUNTING
5	11-20739		4	NUT, JAM - MOUNTING BRACKET
6	13-68102		2	LOCKWASHER, MOUNTING BRACKET

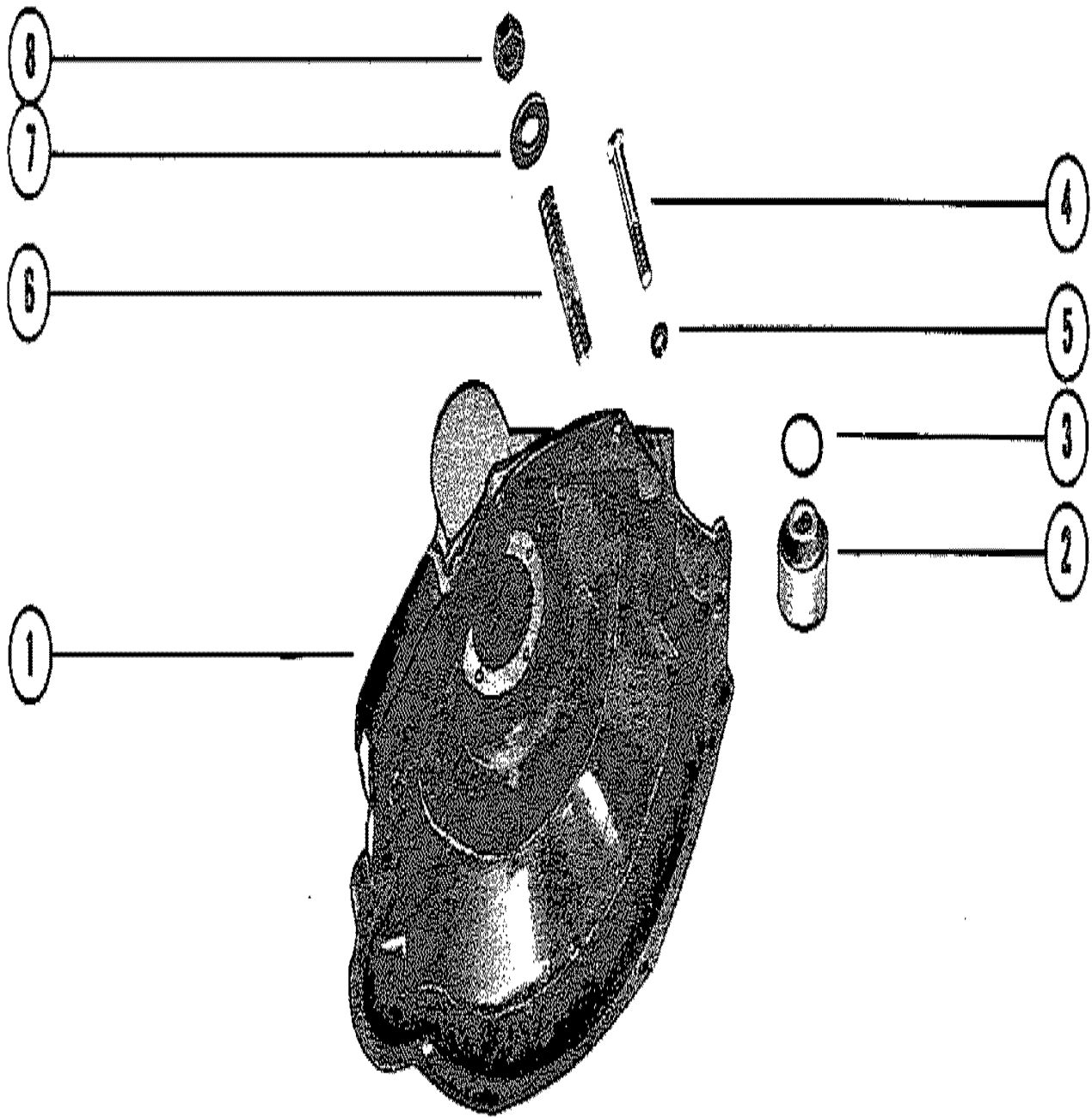
WATER DISTRIBUTION HOSES



WATER DISTRIBUTION HOSES

REF. NO.	PART NO.	SYM.	QTY.	DESCRIPTION
1&2	32-73796		2	HOSE, THERMOSTAT COVER TO EXH. ELBOW
3	32-73794		1	HOSE, THERMOSTAT HSG. TO EXHAUST MAN. (STBD.)
	32-73795		1	HOSE, THERMOSTAT HSG. TO EXHAUST MAN. (PORT)
4	32-48132		1	HOSE, THERMOSTAT HSG. TO EXH. MAN. - NON-POWER ST.
	32-48132		1	HOSE, THERMOSTAT HSG. TO EXH. MAN. (STBD) POWER STEERING
	32-93499		1	HOSE, THERMOSTAT HSG. O EXH. MAN. (PORT) POWER STEERING
5	32-71613		1	HOSE, THERMOSTAT HOUSING TO PS OIL COOLER INBOARD
6	54-32780		14	CLAMP, HOSE ATTACHING INBOARD

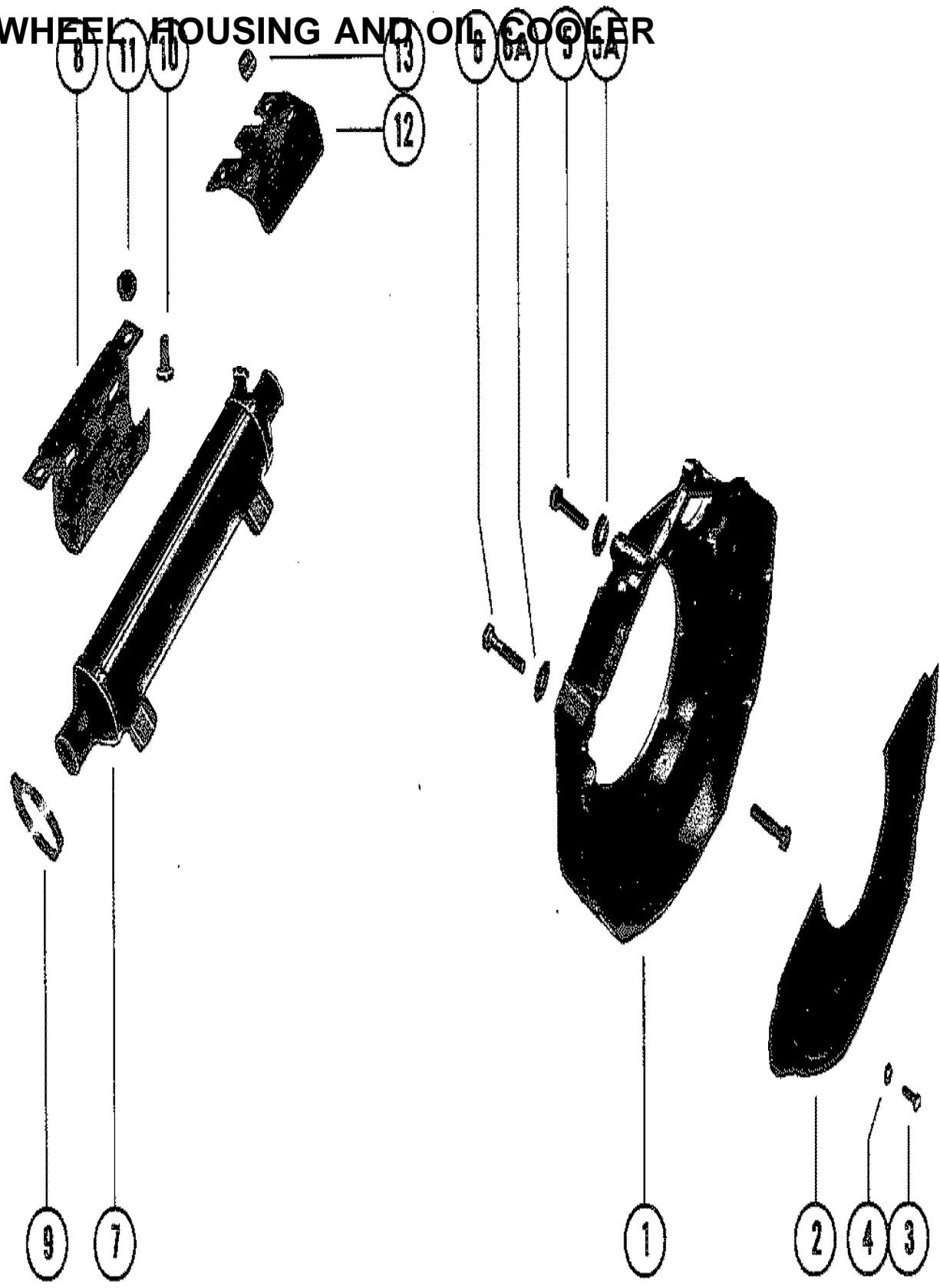
FLYWHEEL HOUSING



FLYWHEEL HOUSING

REF. NO.	PART NO.	SYM.	QTY.	DESCRIPTION
1	76773A1		1	FLYWHEEL HOUSING ASSEMBLY
2	33149		2	MOUNT, RUBBER - FLYWHEEL HOUSING
3	23-46742		2	SPACER, RUBBER MOUNT - FLYWHEEL HOUSING
4	10-26632		5	SCREW, FLYWHEEL HOUSING ATTACHING (1 1/4")
	10-45754		1	SCREW, FLYWHEEL HOUSING ATTACHING (2")
5	13-37459		6	LOCKWASHER, FLYWHEEL HOUSING SCREW (3/8")
6	16-64066		1	STUD, FLYWHEEL HOUSING TO BLOCK
7	12-20572		1	WASHER, FLYWHEEL HOUSING SCREW -SPECIAL (3/8")
8	11-32219		1	NUT, FLYWHEEL HOUSING STUD

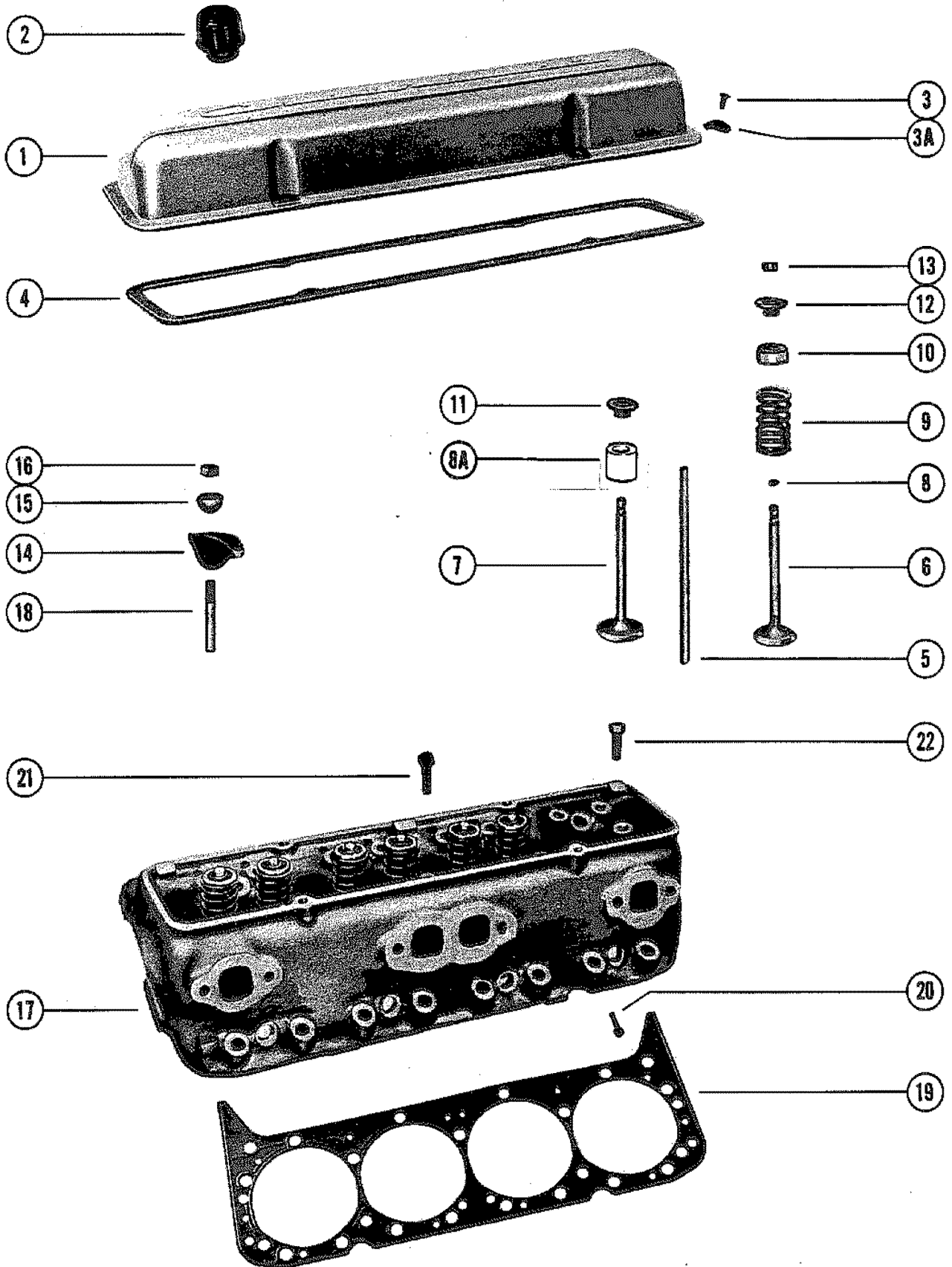
FLYWHEEL HOUSING AND OIL COOLER



FLYWHEEL, HOUSING AND OIL COOLER

REF. NO.	PART NO.	SYM.	QTY.	DESCRIPTION
1	63828		1	HOUSING, FLYWHEEL
2	63833		1	COVER, FLYWHEEL HOUSING
3	10-20031		4	SCREW, COVER TO FLYWHEEL HOUSING (1/2")
4	13-26992		4	LOCKWASHER, COVER SCREW
5	10-34353		5	SCREW, FLYWHEEL HOUSING TO ENGINE (1")
5A	13-37459		6	LOCKWASHER, FLYWHEEL HOUSING SCREW
6	10-63826		2	SCREW, FLYWHEEL HOUSING TO ENGINE (2 1/2")
6A	12-20572		1	WASHER, FLYWHEEL HOUSING TO ENGINE SCREW
7	63832--1		1	COOLER, OIL (9")
	63832--2		1	COOLER, OIL (12")-V-DRIVE ONLY
8	49748A1		1	BRACKET ASSEMBLY, OIL COOLER
9	54-32781		2	CLAMP, OIL COOLER TO BRACKET
10	10-27165		1	SCREW, OIL COOLER BRACKET (3/4")
11	11-52412		1	NUT, OIL COOLER BRACKET SCREW
12	49735		1	BRACKET, OIL COOLER
13	23-36365		2	SPACER, OIL COOLER BRACKET

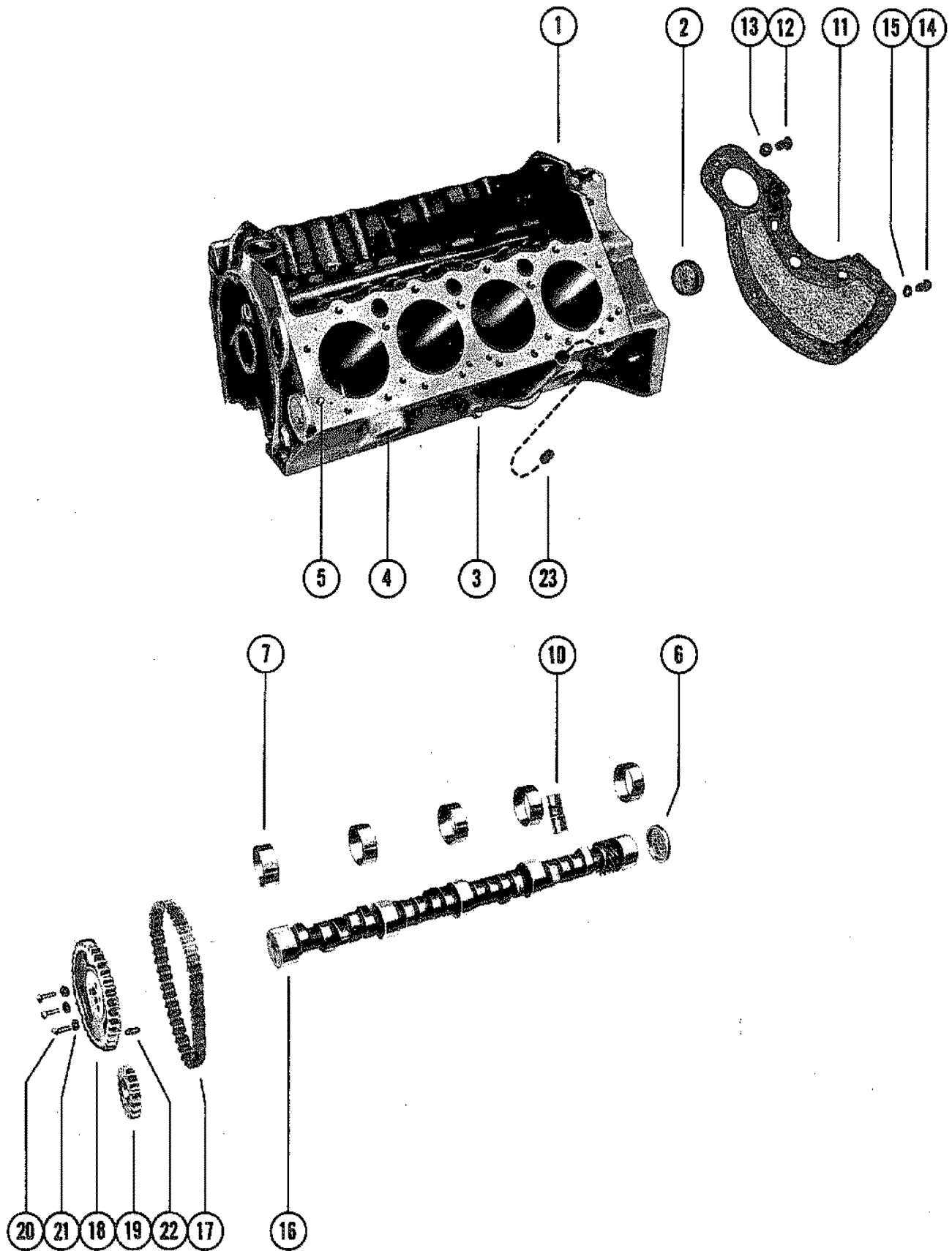
ROCKER COVER AND CYLINDER HEAD



ROCKER COVER AND CYLINDER HEAD

REF. NO.	PART NO.	SYM.	QTY.	DESCRIPTION
1	79961		2	COVER, ROCKER
-	37-77552		1	DECAL, HORSEPOWER (198 H.P.) - STARBOARD STERN DRIVE
-	37-79121		1	DECAL, HORSEPOWER (198 H.P.) - PORT STERN DRIVE
-	37-77254		1	DECAL, ROCKER COVER (WAVES)
-	37-77558		2	DECAL, HORSEPOWER (198 H.P.) INBOARD
-	37-77255		1	DECAL, ROCKER COVER (WAVES) INBOARD
2	49288		1	CAP, OIL FILLER
3	10-35366		8	SCREW, ROCKER VALVE COVER TO CYLINDER HEAD (1/2")
	49174		8	REINFORCEMENT, VALVE ROCKER COVER
4	27-52202		2	GASKET, ROCKER VALVE COVER
5	35330		OPT	ROD, VALVE PUSH (SINGLE BALL END)
	99948		OPT	ROD, VALVE PUSH (DOUBLE BALL END)
6	85803		8	VALVE, EXHAUST (STANDARD) SEE NOTE BELOW
	49076		AR	VALVE, EXHAUST (.015 O.S.)
7	34458		8	VALVE, INLET (STANDARD)
	34525		AR	VALVE, INLET (.015 O.S.)
8	26-34217		16	SEAL, VALVE
	26-97664		8	SEAL, INTAKE VALVE - NOT USED ON ALL ENGINES
9	24-48347		8	SPRING, VALVE (INLET)
	24-72642		8	SPRING, VALVE (EXHAUST) - SEE NOTE BELOW
10	34518		16	SHIELD, VALVE SPRING CAP
11	48348		8	CAP, INLET VALVE
12	35328		8	ROTATOR ASSEMBLY, VALVE SPRING - EXHAUST VALVE
13	28-54797		32	KEY, VALVE STEM
14	35329		16	ARM, ROCKER VALVE
15	35331		16	BALL UNIT, ROCKER VALVE ARM
16	11-34516		16	NUT, ROCKER VALVE ARM STUD
17	938-7482		2	CYLINDER HEAD ASSEMBLY SEE NOTE BELOW WHEN PERFORMING REPAIRS ON CYLINDER HEADS, EXHAUST VALVE SPRINGS AND/OR EXHAUST VALVES, REFER TO MERCUISER SERVICE BULLETIN 79-2 FOR CORRECT INFORMATION CONCERNING REPLACEMENT PARTS.
	938-8162		2	CYLINDER HEAD ASSEMBLY WHEN PERFORMING REPAIRS ON CYLINDER HEADS, EXHAUST VALVE SPRINGS AND/OR EXHAUST VALVES, REFER TO MERCUISER SERVICE BULLETIN 79-2 FOR CORRECT INFORMATION CONCERNING REPLACEMENT PARTS.
18	16-34522		AR	STUD, ROCKER VALVE ARM (.003 O.S.)
	16-34521		AR	STUD, ROCKER VALVE ARM (.013 O.S.)
19	27-75611		2	GASKET, CYLINDER HEAD
20	10-35317		16	BOLT, CYLINDER HEAD TO CYLINDER BLOCK (1 3/4")
21	10-35318		4	BOLT, CYLINDER HEAD TO CYLINDER BLOCK (3")
22	10-35316		14	BOLT, CYLINDER HEAD TO CYLINDER BLOCK (3 3/4")

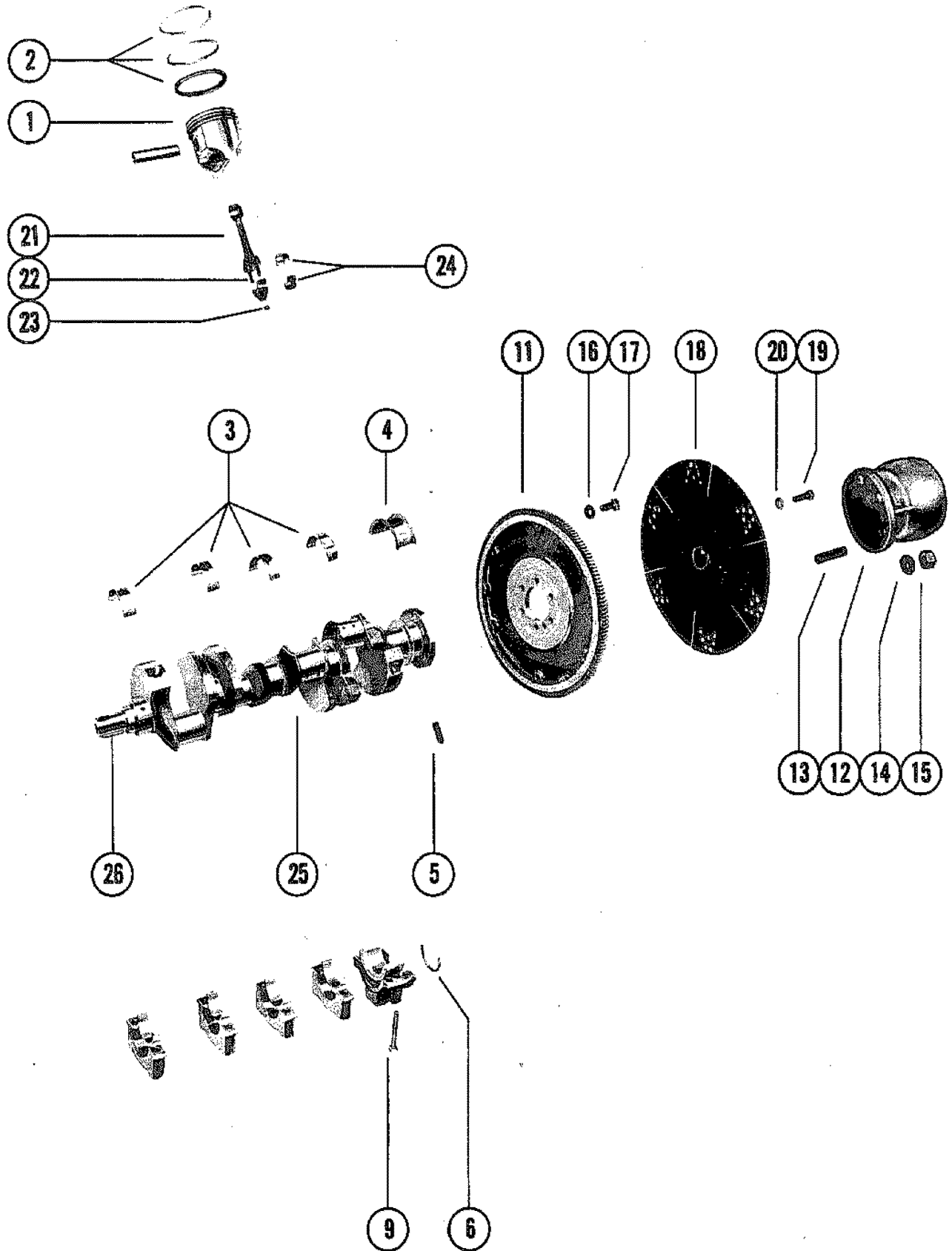
CYLINDER BLOCK AND CAMSHAFT



CYLINDER BLOCK AND CAMSHAFT

REF. NO.	PART NO.	SYM.	QTY.	DESCRIPTION
1	841-6535		1	CYLINDER BLOCK SERIAL 00000000-05496181
	841-8161		1	CYLINDER BLOCK SERIAL 05496182-09999999
2	19-35308		2	PLUG, EXPANSION - CYLINDER BLOCK (1 1/4")
3	22-87238		2	DRAIN COCK, CYLINDER BLOCK
4	19-34270		8	PLUG, EXPANSION - CYLINDER BLOCK (1 5/8"DIA)
-	22-48340		10	PLUG, PIPE - CYLINDER BLOCK (1/4"DIA)
5	17-35465		4	PIN, DOWEL - CYLINDER BLOCK TO CYL HEAD (5/16"DIA)
6	22-72640		1	PLUG, EXPANSION 0 CYLINDER BEARING HOLE
7	23-85674		1	BEARING SET, CAMSHAFT
10	72638		16	LIFTER, HYDRAULIC VALVE - TAPPET
11	71995		1	COVER, TRANSMISSION HOUSING STERN DRIVE
12	10-20031		1	SCREW, COVER ATTACHING (1/2") STERN DRIVE
13	13-26992		1	LOCK WASHER, COVER SCREW STERN DRIVE
14	10-33231		3	SCREW, COVER ATTACHING (1/2") STERN DRIVE
15	13-39107		3	LOCKWASHER, COER SCREW STERN DRIVE
16	431-5943		1	CAMSHAFT (L.H. ROTATION)
	431-3357		1	CAMSHAFT (R.H. ROTATION)
17	35378		1	CHAIN, CAMSHAFT TIMING L.H. ROTATION
18	43-35338		1	SPROCKET, CAMSHAFT TIMING (44TEETH) L.H. ROTATION
19	43-48338		1	SPROCKET, CAMSHAFT TIMING L.H. ROTATION
18	43-48356		1	GEAR, TIMING - CAMSHAFT R.H. ROTATION
19	43-48334		1	GEAR, TIMING - CRANKSHAFT R.H. ROTATION
20	10-34505		3	BOLT, CAMSHAFT TIMING SPROCKETS (3/4")
21	12-39167		3	WASHER, CAMSHAFT TIMING SPROCKET BOLT
22	17-24813		1	PIN, DOWEL - CAMSHAFT TIMING SPROCKET (1/4"DIA)
23	19-71900		1	PLUG, OIL LEVEL GAUGE HOLE 0 CYLINDER BLOCK (INBOARD)

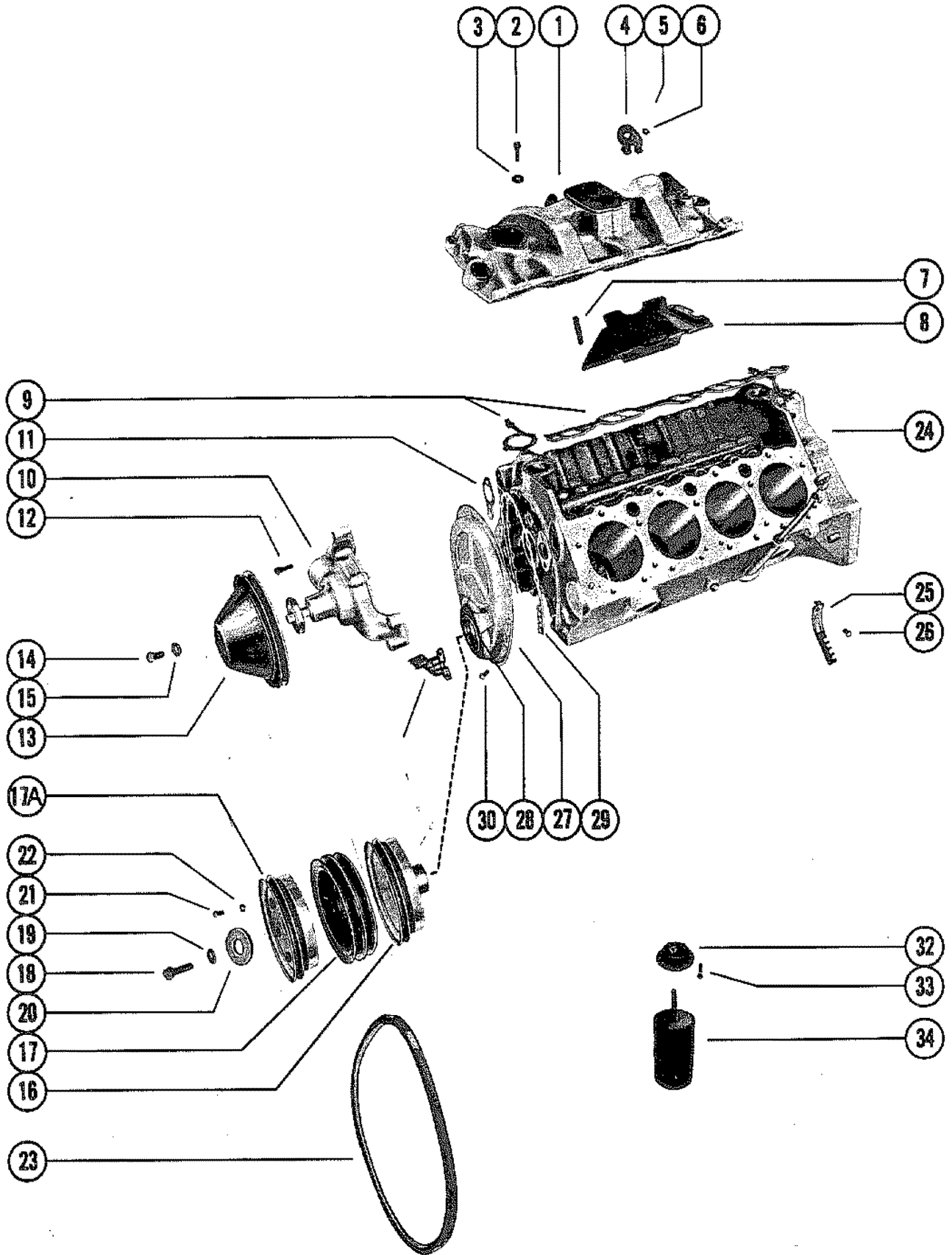
CRANKSHAFT AND PISTONS



CRANKSHAFT AND PISTONS

REF. NO.	PART NO.	SYM.	QTY.	DESCRIPTION
1	735-6538		AR	PISTON AND PISTON PIN ASSEMBLY (.001 O.S.)
	735-6616		AR	PISTON AND PISTON PIN ASSEMBLY (.010 O.S.)
	735-6617		AR	PISTON AND PISTON PIN ASSEMBLY (.030 O.S.)
2	39-75609		8	RING, PISTON - 8 SETS (STANDARD)
	39-75981		AR	RING, PISTON - 8 SETS (.030 O.S.)
3	23-85694		4	BEARING UNIT, CRANKSHAFT (STANDARD)
	23-85695		AR	BEARING UNIT, CRANKSHAFT MAIN (.001 U.S.)
	23-85696		AR	BEARING UNIT, CRANKSHAFT MAIN (.010 U.S.)
	23-85697		AR	BEARING UNIT, CRANKSHAFT MAIN (.020 U.S.)
4	23-85698		1	BEARING UNIT, CRANKSHAFT MAIN - REAR (STANDARD)
	23-85699		AR	BEARING UNIT, CRANKSHAFT MAIN - REAR (.001 U.S.)
	23-85700		AR	BEARING UNIT, CRANKSHAFT MAIN - REAR (.010 U.S.)
	23-52216		AR	BEARING UNIT, CRANKSHAFT MAIN - REAR (.020 U.S.)
5	17-24813		1	PIN, DOWEL - REAR CRANKSHAFT BEARING CAP (1/4"DIA)
6	26-58203		2	OIL SEAL, REAR CRANKSHAFT BEARING CAP (L.H. ROTATION)
	26-35313		2	OIL SEAL, REAR CRANKSHAFT BEARING CAP (R.H. ROTATION)
9	10-54788		10	BOLT, CRANKSHAFT BEARING CAP TO CYLINDER BLOCK (2 31/32")
-	17-24813		4	PIN, DOWEL - CRANKCASE FRONT END COVER AND OIL PUMP
11	222-6355		1	FLYWHEEL ASSEMBLY (L.H. ROTATION)
	230-4614		1	FLYWHEEL ASSEMBLY (R.H. ROTATION)
12	76850A2		1	COUPLING ASSEMBLY STERN DRIVE
13	16-32808		6	STUD, COUPLER TO FLYWHEEL STERN DRIVE
14	12-34567		6	WASHER, COUPLER TO FLYWHEEL STUD STERN DRIVE
15	11-98533		6	NUT, COUPLER STUDS FLYWHEEL STERN DRIVE
16	13-39131		6	LOCKWASHER, FLYWHEEL SCREW
17	10-49845		6	SCREW, FLYWHEEL TO CRANKSHAFT
18	47608		1	DRIVE PLATE, FLYWHEEL INBOARD
19	10-35091		6	SCREW, DRIVE PLATE TO FLYWHEEL INBOARD
20	13-35048		6	LOCKWASHER, DRIVE PLATE SCREW INBOARD
21	614-8164		8	CONNECTING ROD ASSEMBLY
22	10-85802		16	BOLT, CONNECTING ROD CAP
23	11-37493		16	NUT, CONNECTING ROD CAP BOLT
24	23-85701		1	BEARING SET (4 PAIR), CONNECTING ROD (STANDARD)
	23-85702		AR	BEARING UNIT (PAIR), CONNECTING ROD (.001 U.S.)
	23-85703		AR	BEARING UNIT (PAIR), CONNECTING ROD (.002 U.S.)
	23-85704		AR	BEARING UNIT (PAIR), CONNECTING ROD (.010 U.S.)
	23-85705		AR	BEARING UNIT (PAIR), CONNECTING ROD (.020 U.S.)
25	429-6537		1	AFT
26	28-34466		2	KEY, RANKSHAFT PULLEY AND BALANCER

INTAKE MANIFOLD

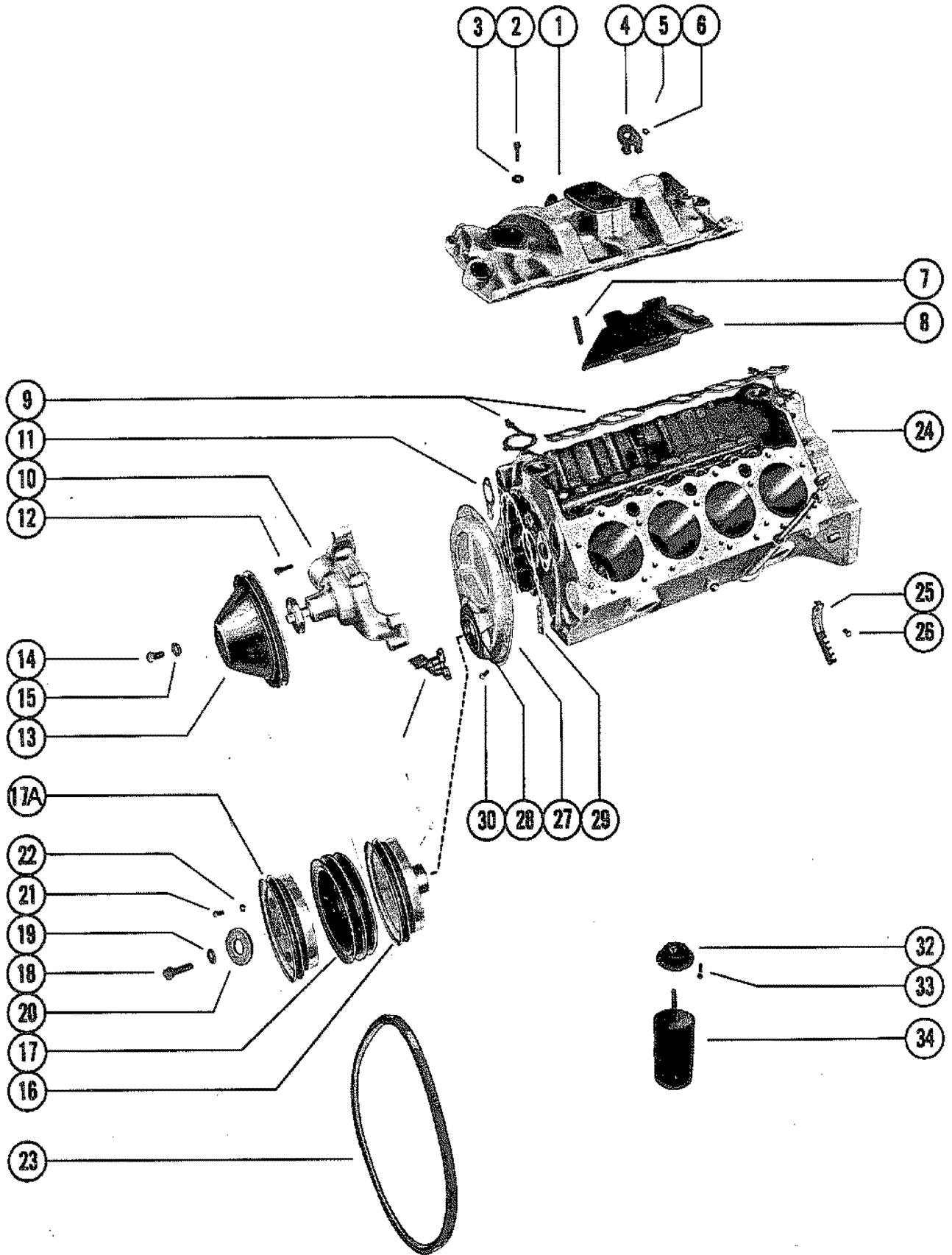


INTAKE MANIFOLD

REF. NO.	PART NO.	SYM.	QTY.	DESCRIPTION
1	78779		1	INTAKE MANIFOLD
2	10-26487		9	BOLT, INTAKE MANIFOLD TO CYLINDER BLOCK (1 1/8")
	10-37510		4	BOLT, INTAKE MANIFOLD TO CYLINDER BLOCK (1 1/2")
3	12-49112		4	WASHER, INTAKE MANIFOLD BOLT
4	54-47512		1	EYE, LIFTING INBOARD
5	10-34354		2	SCREW, LIFTING EYE ATTACHING (1 1/2") INBOARD
6	13-35048		2	LOCKWASHER, LIFTING EYE SCREW INBOARD
7	16-66203		4	STUD, GUARD TO INTAKE MANIFOLD
8	72647		1	GUARD, INTAKE MANIFOLD
9	27-72637		1	GASKET SET, INTAKE MANIFOLD
10	60658		1	WATER PUMP ASSEMBLY
11	27-34897		2	GASKET, WATER PUMP MOUNTING
12	10-32132		2	SCREW, WATER PUMP TO CYLINDER BLOCK (1 3/4")
	10-47688		1	SCREW, WATERPUMP TO CYLINDER BLOCK (2 3/4")
	10-52200		1	SCREW, WATER PUMP TO CYLINDER BLOCK (1 1/")
	16-35342		1	STUD, WATER PUMP TO CYLINDER BLOCK
13	52349		1	PULLEY, WATER PUMP
	90840		1	PULLEY, WATER PUMP (HIGH MOUNTED P/S PUMP)
14	10-47277		4	SCREW, PULLEY TO WATER PUMP (3/4")
15	13-39107		4	LOCKWASHER, WATER PUMP PULLEY SCREW
16	75420		1	BALANCER, HARMONIC-CRANKSHAFT
17	33863		1	PULLEY, HARMONIC BALANCER (2 GROOVES)
17A	75040		1	PULLEY, POWER STEERING (1 GROOVE)-LOW MOUNTED P/S PUMP
	90841		1	PULLEY, POWER STEERING (1 GROOVE)-HIGH MOUNTED P/S PUMP
18	10-72626		1	BOLT, PULLEY AND HARMONIC BALANCER TO CRANKSHAFT (2"0)
19	13-39131		1	LOCKWASHER, PULLEY AND HARMONIC BALANCER BOLT
20	12-3332		1	WASHER, PULLEY AND HARMONIC BALANCER BOLT
21	10-34352		3	BOLT, CRANKSHAFT PULLEY TO BALANCER (7/8")-NON-POWER STEERIN
	10-35786		3	BOLT, CRANKSHAFT PULLEY TO BALANCER (1")-POWER STEERING
22	13-35048		3	LOCKWASHER, CRANKSHAFT PULLEY BOLT
23	54-48120		1	BELT, DRIVE (46")
	57-93658		1	BELT, DRIVE (44")-HIGH MOUNTED P/S PUMP
24	841-6535		1	CYLINDER BLOCK ASSEMBLY SERIAL 00000000-#5496181
	841-8161		1	CYLINDER BLOCK ASSEMBLY SERIAL #5496182-09999999
25	35365		2	SUPPORT, SPARK PLUG LEAD WIRE
26	10-35366		2	SCREW, LEAD WIRE SUPPORT TO CYLINDER (2 1/2")
27	75612		1	COVER ASSEMBLY, CRANKCASE FRONT (L.H. ROTATION)
	60656		1	COVER ASSEMBLY, CRANKCASE FRONT (R.H. ROTATION)
28	26-97335		1	OIL SEAL, CRANKCASE FRONT COVER

CONTINUED ON NEXT PAGE ➡

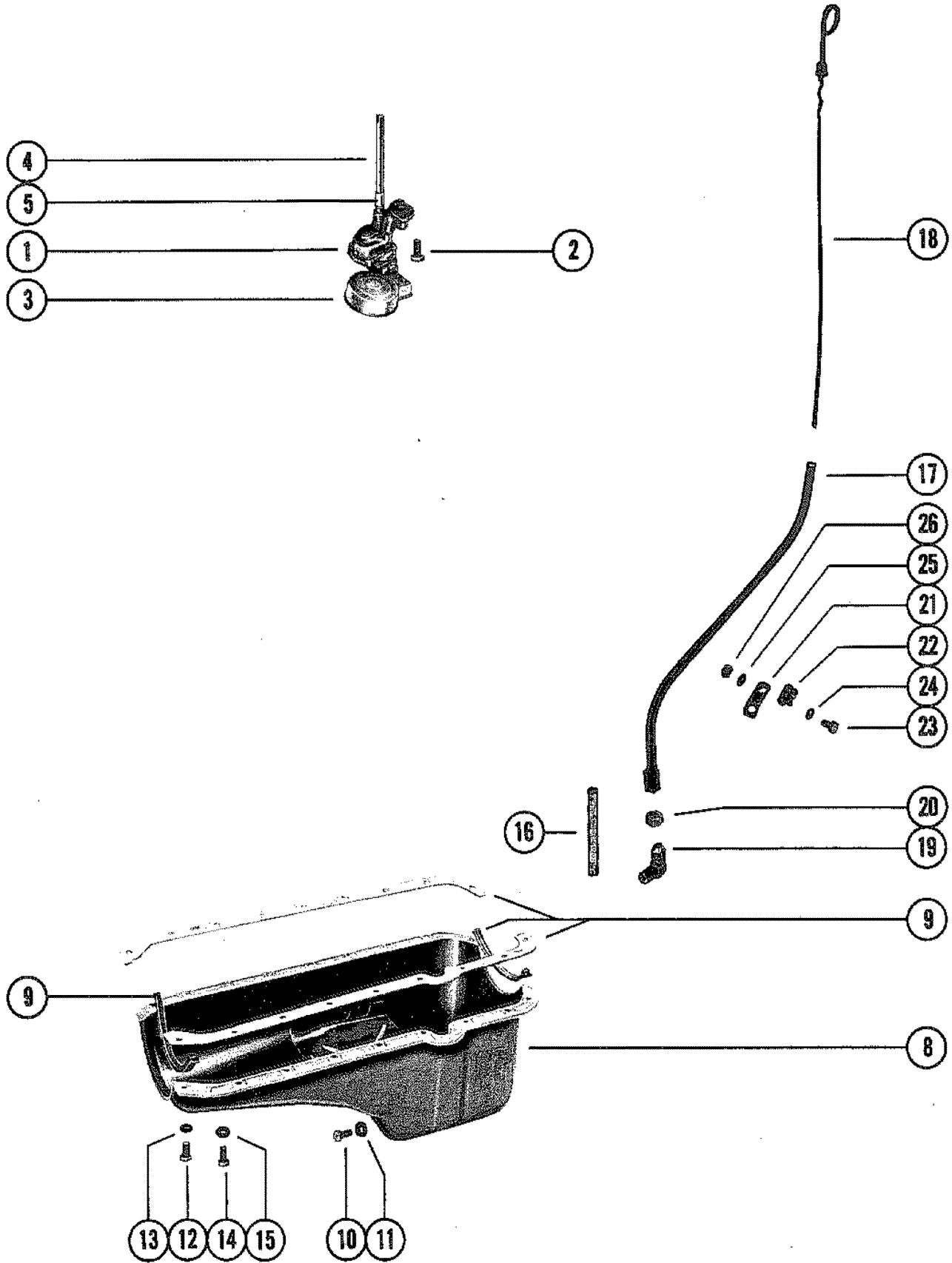
INTAKE MANIFOLD



INTAKE MANIFOLD

REF. NO.	PART NO.	SYM.	QTY.	DESCRIPTION
29	27-34895		1	GASKET, CRANKCASE FRONT END COVER
30	10-34277		10	SCREW, CRANKCASE FRONT END COVER TO BLOCK (7/16")
31	75435A1		1	POINTER, TIMING
32	53338		1	FILTER VALVE ASSEMBLY
33	10-54786		2	SCREW, FILTER VALVE TO CYLINDER BLOCK
34	52731		1	OIL FILTER ASSEMBLY

OIL PAN AND OIL PUMP

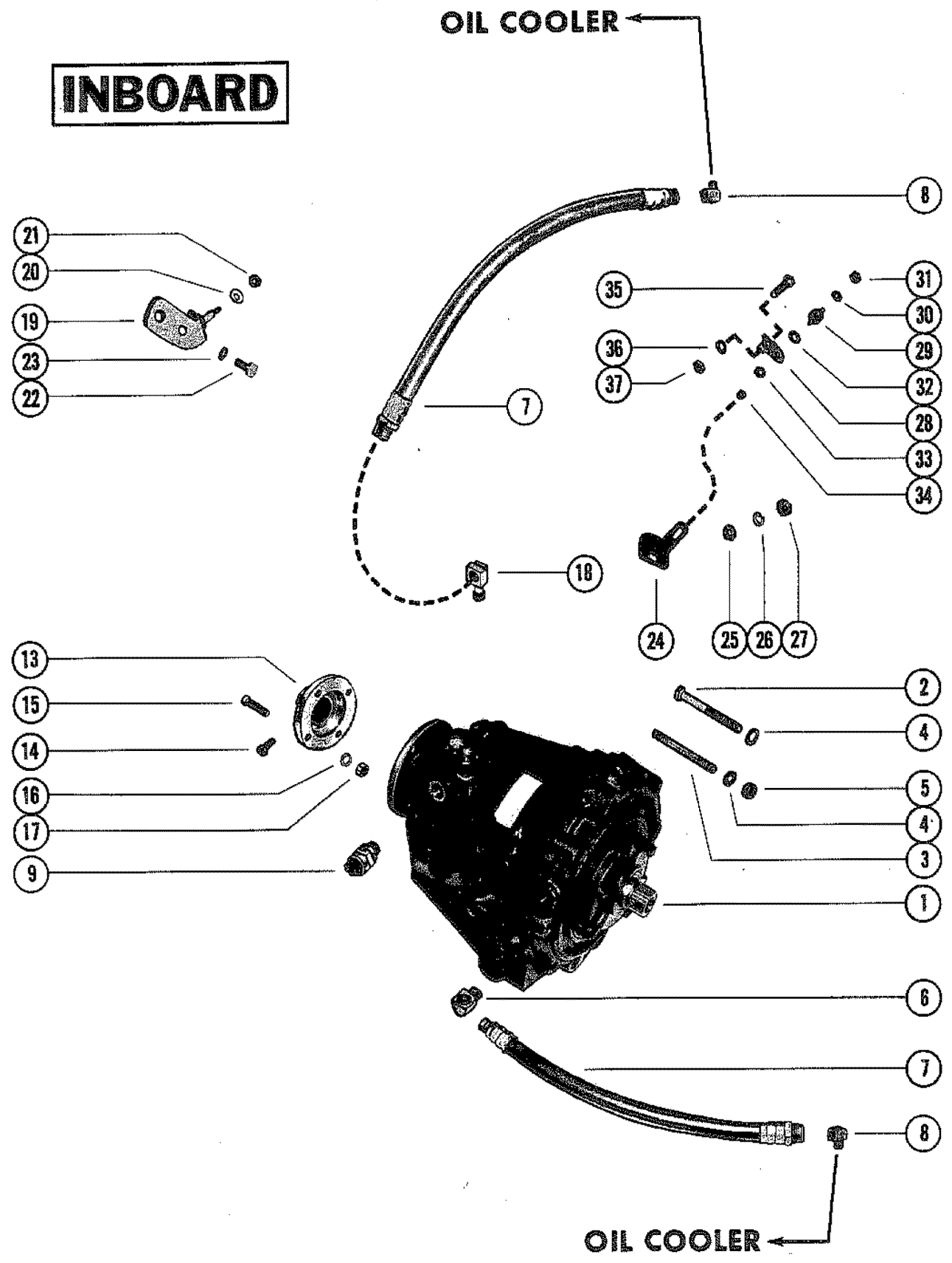


OIL PAN AND OIL PUMP

REF. NO.	PART NO.	SYM.	QTY.	DESCRIPTION
1	35352		1	OIL PUMP ASSEMBLY
2	10-48333		1	BOLT, OIL PUMP TO CYLINDER BLOCK (2")
3	72645		1	SCREEN ASSEMBLY, OIL PUMP
4	36184		1	SHAFT, OIL PUMP TO DISTRIBUTOR
5	23-36183		1	RETAINER, OIL PUMP SHAFT
8	78778		1	OIL PAN (STERN DRIVE) PORT MOUNTED DIPSTICK
	87758A1		1	OIL PAN (INBOARD) PORT MOUNTED DIPSTICK
9	27-85817A1		1	GASKET SET, OIL PAN PORT MOUNTED DIPSTICK
8	94130		1	OIL PAN (STERN DRIVE) STBD. MOUNTED DIPSTICK
9	27-90458A1		1	GASKET SET, OIL PAN STBD. MOUNTED DIPSTICK
10	10-49956		1	SCREW, OIL PAN DRAIN STERN DRIVE
11	27-49955		1	GASKET, OIL PAN DRAIN SCREW STERN DRIVE
12	10-72644		4	SCREW, OIL PAN TO CYL. BLOCK (5/16-18X7/8) STERN DRIVE
13	13-39107		4	WASHER, OIL PAN SCREW STERN DRIVE
14	10-34277		14	SCREW, OIL PAN TO CUL. BLOCK (1/4-20X7/8") STERN DRIVE
10	22-36373		1	PLUG, PIPE-OIL PAN DRAIN INBOARD
12	10-55714		4	SCREW, OIL PAN TO BLOCK (5/16 - 18 X 7/8) INBOARD
13	13-26992		4	LOCKWASHER, OIL PAN SCREW INBOARD
14	10-55715		6	SCREW, OIL PAN TO BLOCK (1/4-20X7/8) INBOARD
15	13-26993		6	LOCKWASHER, OIL PAN SCREW INBOARD
16	72950		1	TUBE, OIL LEVEL (LOWER) STRN DRIVE-PORT MOUNTED DIPSTICK
17	32-72539		1	TUBE, OIL LEVEL GAUGE (UPPER) STRN DRIVE-PORT MOUNTED DIPSTICK
18	77454		1	GAUGE, OIL LEVEL (DIPSTICK) STRN DRIVE-PORT MOUNTED DIPSTICK
17	92078A1		1	DIPSTICK TUBE ASSEMBLY STERN DRIVE-STBD. MOUNTED DIPSTICK
-	54-92084		1	CLIP, DIPSTICK TUBE TO EXHAUST MANIFOLD STERN DRIVE-STBD. MOUNTED DIPSTICK
18	73232		1	GAUGE, OIL LEVEL (DIPSTICK) STERN DRIVE-STBD. MOUNTED DIPSTICK
17	47492A3		1	TUBE, OIL LEVEL GAUGE INBOARD
18	87353		1	GAUGE, OIL LEVEL (DIPSTICK) INBOARD
19	22-47625		1	ELBOW, OIL LEVEL GAUGE TO OIL PAN INBOARD
20	11-47626		1	NUT, OIL LEVEL GAUGE TUBE INBOARD
21	48133		1	BRACKET, OIL LEVEL GAUGE INBOARD
22	54-47545		1	CLIP, OIL LEVEL TUBE INBOARD
23	10-33524		1	SCREW, CLIP TO BRACKET (5/8") INBOARD
24	13-39107		1	LOCKWASHER, CLIP SCREW INBOARD
25	12-20553		1	WASHER, OIL LEVEL TUBE BRACKET INBOARD
26	11-22053		1	NUT, CLIP SCREW INBOARD

TRANSMISSION AND RELATED PARTS (INBOARD)

INBOARD



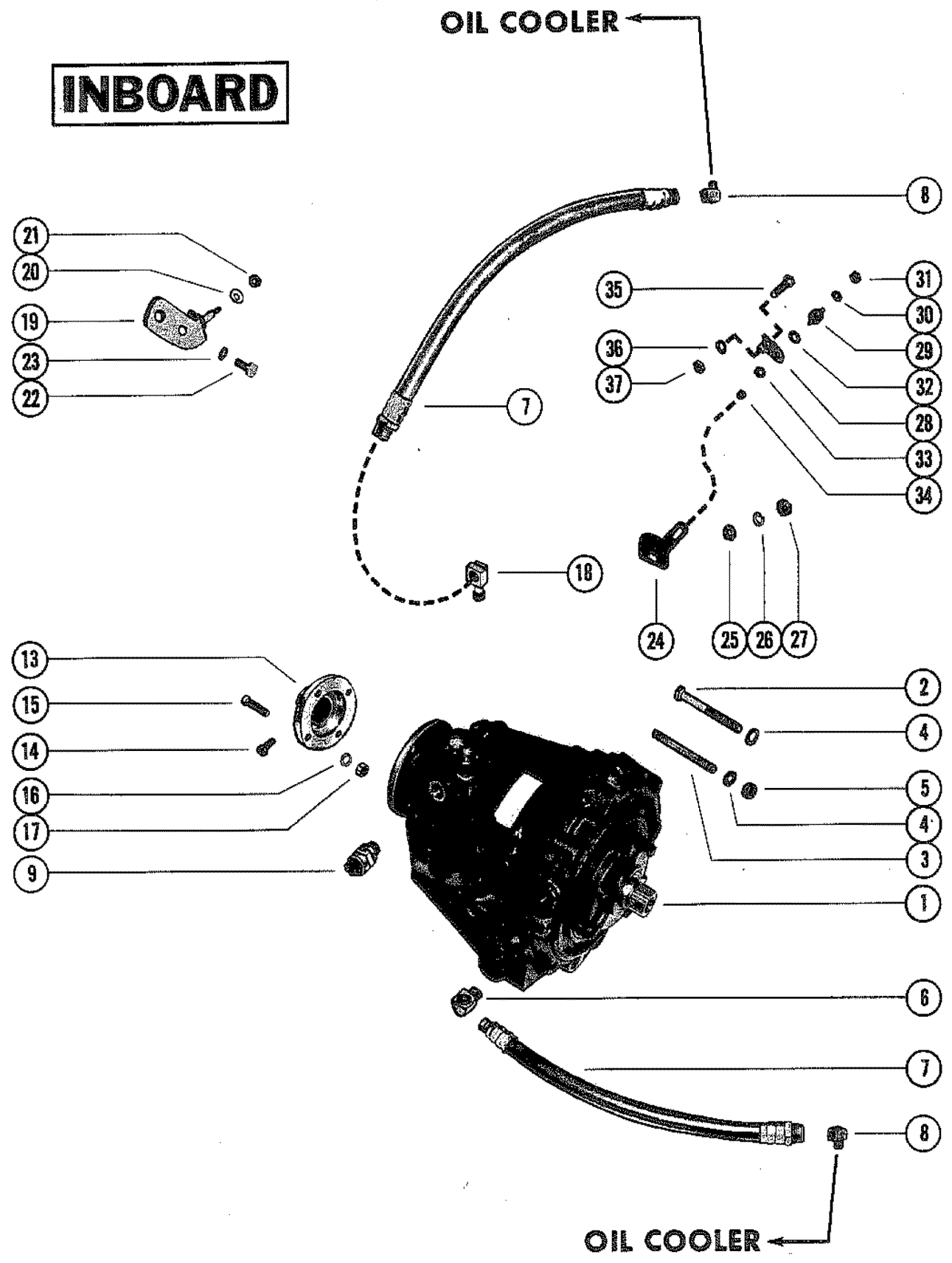
TRANSMISSION AND RELATED PARTS (INBOARD)

REF. NO.	PART NO.	SYM.	QTY.	DESCRIPTION
1	47805		1,,,	TRANSMISSION (DIRECT DRIVE)
	47806		,1,,	TRANSMISSION (1.523:1 REDUCTION)
	47807		,,1,,	TRANSMISSION (1.909:1 REDUCTION)
	47808		,,,1,	TRANSMISSION (2.57:1 REDUCTION)
	47809		,,,1	TRANSMISSION (2.909:1 REDUCTION)
2	10-47724		4,,,	SCREW, TRANSMISSION TO ENGINE (3")
	10-60179		6,6,6,6	SCREW, TRANSMISSION TO ENGINE (3 1/2")
3	16-57921		2,,,	STUD, TRANSMISSION TO ENGINE (4")
4	13-32993		6,6,6,6	LOCKWASHER, TRANSMISSION SCREW AND STUD
5	11-22024		2,,,	NUT, TRANSMISSION STUD
6	22-47629		,1,1,1,1	ELBOW, HOSE TO TRANSMISSION (90 DEGREE)
	22-63835		,1,1,1,1	ELBOW, HOSE TO TRANSMISSION (45 DEGREE)
7	32-47516-11		1,,,	HOSE, TRANSMISSION TO OIL COOLER (28")
	32-47516-12		,1,1,1,1	HOSE, TRANSMISSION TO OIL COOLER (20")
	32-47516--9		1,1,1,1,1	HOSE, TRANSMISSION TO OIL COOLER (37")
8	22-47629		2,2,2,2,2	ELBOW, HOSE TO OIL COOLER
9	47613		1,1,1,1,1	SWITCH, NEUTRAL SAFETY
10	84-73125A1		1,1,1,1,1	HARNESS, NEUTRAL SAFETY SWITCH
11	13-26996		2,2,2,2,2	LOCKWASHER, HARNESS ATTACHING
12	11-68219		2,2,2,2,2	NUT, HARNESS ATTACHING
13	48381A1		OPT,,,,	FLANGGE ASSEMBLY (1")SEE NOTE A
	48382A1		OPT,,,,	FLANGE ASSEMBLY (1 1/8")
	48383A1		OPT,,,,	FLANGE ASSEMBLY (1 1/4")
	48384A1		OPT,,,,	FLANGE ASSEMBLY (1 3/8")
	48385A1		OPT,,,,	FLANGE ASSEMBLY 1 1/2")
	48386A1		OPT,OPT,0	FLANGE ASSEMBLY (1")SEE NOTE B
	48387A1		OPT,OPT,0	FLANGE ASSEMBLY (1 1/8")
	48388A1		OPT,OPT,0	FLANGE ASSEMBLY (1 1/4")
	48389A1		OPT,OPT,0	FLANGE ASSEMBLY (1 3/8")
48390A1		OPT,OPT,0	FLANGE ASSEMBLY (1 1/2")	
14	10-60168		2,,,	SCREW, FLANGE TO PROPELLER SHAFT (1 1/2")
	10-60171		2,2,2,2	SCREW, FLANGE TO PROPELLER SHAFT (1 1/4")
	10-60170		2,2,2,2	SCREW, FLANGE TO PROPELLER SHAFT (1")
	10-60169		2,,,	SCREW, FLANGE TO PROPELLER SHAFT (3/4")
15	10-37909		4,,,	SCREW, FLANGE TO TRANSMISSION (1 1/8")
16	13-35048		4,,,	LOCKWASHER, TRANSMISSION FLANGE SCREW
17	11-24883		4,,,	NUT, TRANSMISSION FLANGE SCREW
15	10-60106		4,4,4,4	SCREW, TRANSMISSION FLANGE TO PROPELLER FLANGE (1 1/4")
16	13-32993		4,4,4,4	LOCKWASHER, FLANGE SCREW
17	11-22024		4,4,4,4	NUT, FLANGE SCREW
18	22-47629		1,,,	ELBOW, HOSE TO TRANSMISSION (90 DEGREES)
	22-63824		,1,1,1,1	ELBOW, HOSE TO TRANSMISSION (90 DEGREES)

CONTINUED ON NEXT PAGE ➡

TRANSMISSION AND RELATED PARTS (INBOARD)

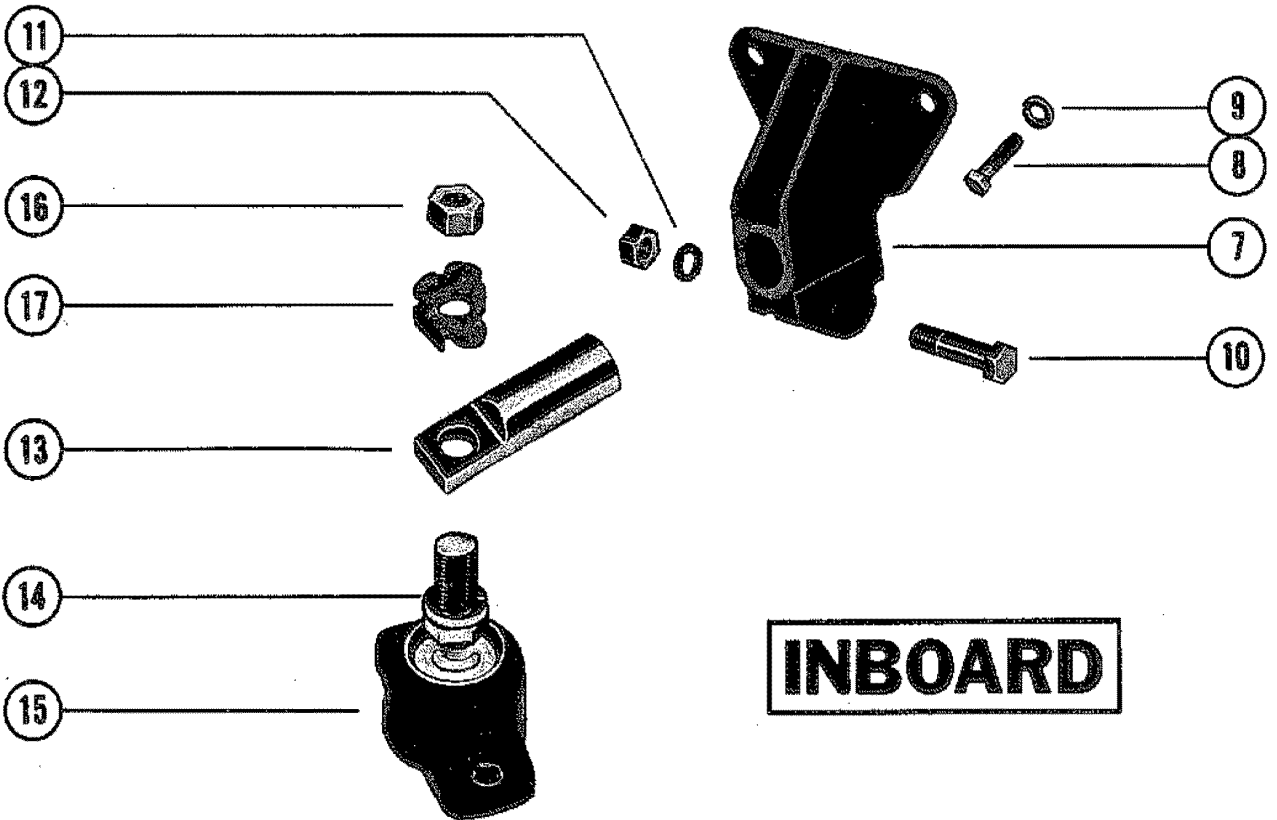
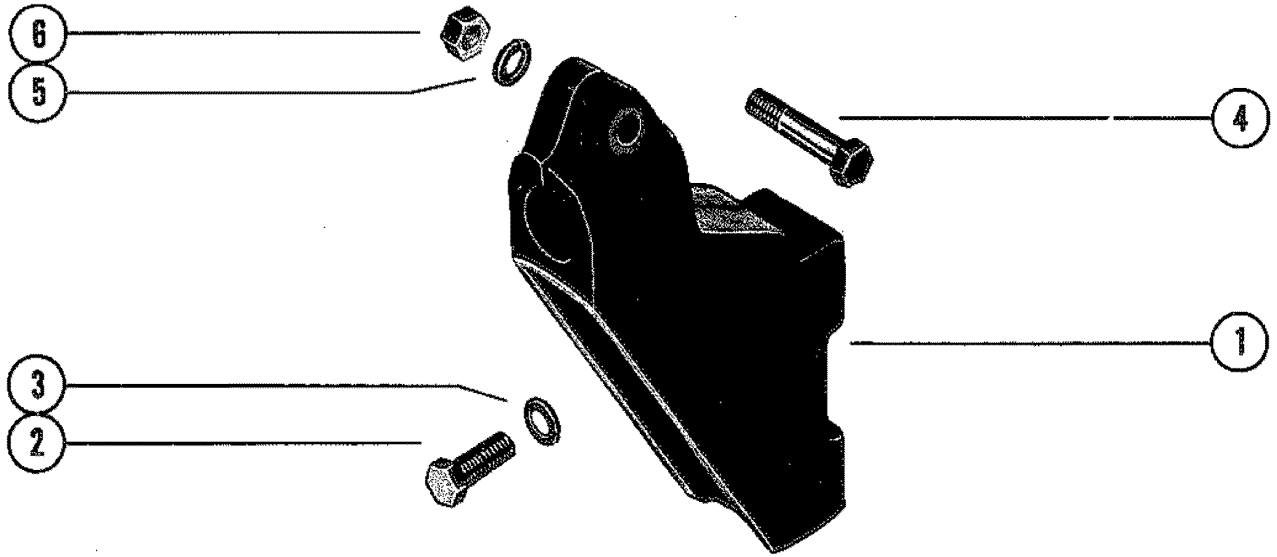
INBOARD



TRANSMISSION AND RELATED PARTS (INBOARD)

REF. NO.	PART NO.	SYM.	QTY.	DESCRIPTION
19	63815A1		1,1,1,1,1	BRACKET, SHIFT CABLE
20	12-56681		1,1,1,1,1	WASHER, SHIFT CABLE TO BRACKET STUD
21	11-46438		1,1,1,1,1	NUT, SHIFT CABLE TO BRACKET STUD (10-32)
22	10-35585		2,2,2,2,2	SCREW, BRACKET TO TRANSMISSION (3/4")
23	13-26992		2,2,2,2,2	LOCKWASHER, BRACKET SCREW
24	48515		1,1,1,1,1	LEVER, SHIFT - TRANSMISSION
25	12-20722		1,1,1,1,1	WASHER, SHIFT LEVER
26	13-26993		1,1,1,1,1	LOCKWASHER, SHIFT LEVER
27	11-20083		1,1,1,1,1	NUT, SHIFT LEVER
28	48652		1,1,1,1,1	ADAPTOR, SHIFT CABLE
29	16-48680		1,1,1,1,1	STUD, SHIFT CABLE ADAPTOR
30	12-20533		1,1,1,1,1	WASHER, SHIFT CABLE ADAPTOR
31	11-46887		1,1,1,1,1	NUT, SHIFT CABLE ADAPTOR
32	13-29402		1,1,1,1,1	WAVE WASHER, SHIFT CABLE
33	12-56681		1,1,1,1,1	WASHER, SHIFT CABLE ADAPTOR
34	11-46438		1,1,1,1,1	NUT, SHIFT CABLE ADAPTOR STUD
35	10-20639		1,1,1,1,1	SCREW, SHIFT CABLE TO ADAPTOR
36	12-22753		1,1,1,1,1	WASHER, SHIFT CABLE SCREW
37	11-46793		1,1,1,1,1	NUT, SHIFT CABLE SCREW

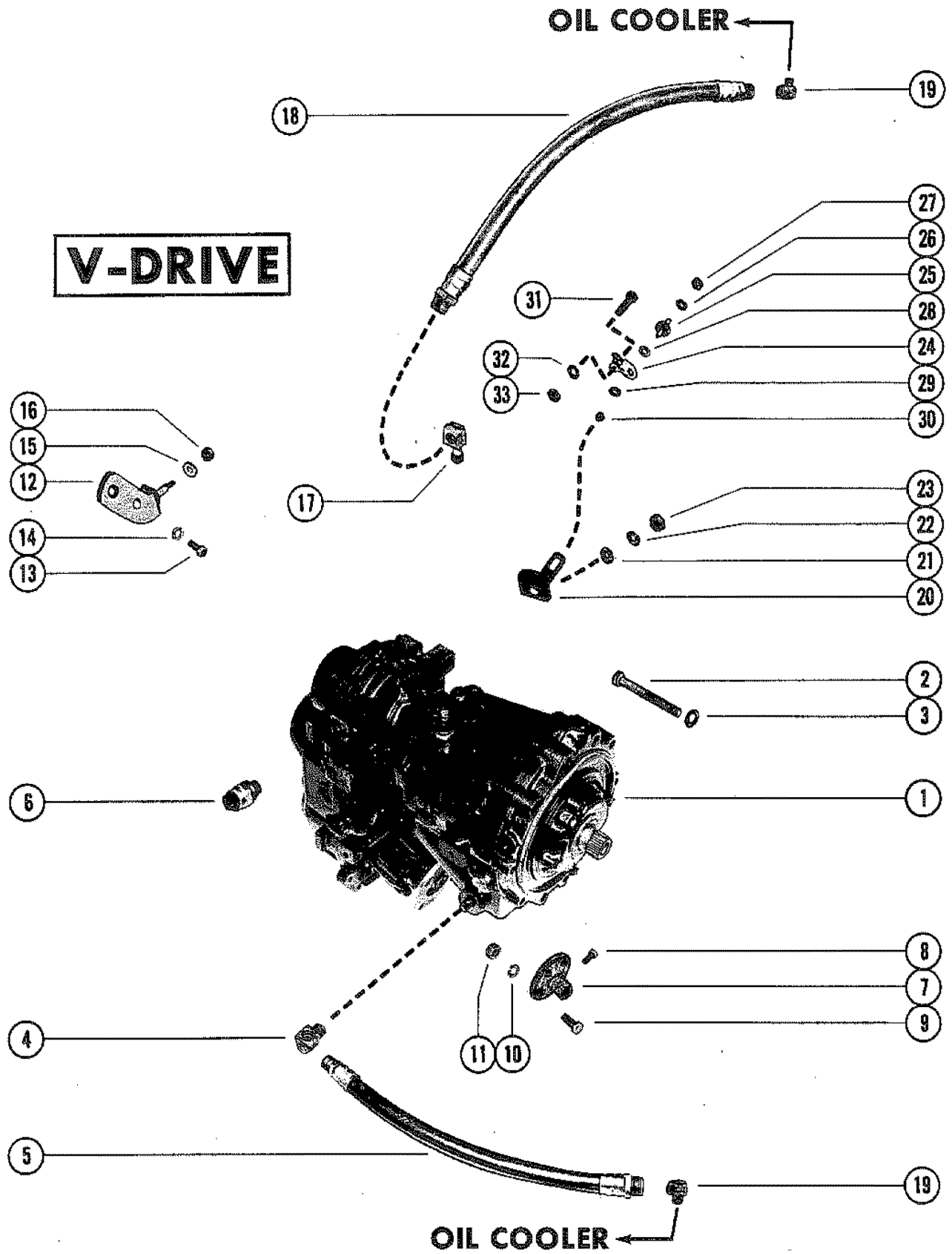
TRANSMISSION AND ENGINE MOUNTING (INBOARD)



TRANSMISSION AND ENGINE MOUNTING (INBOARD)

REF. NO.	PART NO.	SYM.	QTY.	DESCRIPTION
1	66417		2	BRACKET, MOUNTING - TRANSMISSION (REAR)
2	10-37269		4	SCREW, BRACKET TO TRANSMISSION (2")
3	13-32993		4	LOCKWASHER, BRACKET SCREW
4	10-57357		2	SCREW, CLAMPING - MOUNTING BRACKET (2 1/4")
5	13-32993		2	LOCKWASHER, CLAMPING SCREW
6	11-29553		2	NUT, CLAMPING SCREW
7	71128		2	BRACKET, MOUNTING - ENGINE (FRONT)
8	10-37612		4	SCREW, MOUNTING BRACKET TO ENGINE (1 1/4")
9	13-35048		4	LOCKWASHER, MOUNTING BRACKET SCREW
8	10-48424		2	SCREW, MOUNTING BRACKET TO ENGINE (1 5/8")
9	13-35048		2	LOCKWASHER, MOUNTING BRACKET SCREW
10	10-37269		2	SCREW, CLAMPING - MOUNTING BRACKET (2")
11	13-32993		2	LOCKWASHER, CLAMPING SCREW
12	11-29553		2	NUT, CLAMPING SCREW
13	66166		4	TRUNNION, ADJUSTING - MOUNTING BRACKET
14	13-68102		4	LOCKWASHER, MOUNTING BRACKET
15	66284		4	BASE, ENGINE MOUNT
16	11-20739		8	NUT, JAM - ENGINE MOUNT BASE
17	14-66658		4	TAB WASHER, BASE NUT

TRANSMISSION AND RELATED PARTS (V-DRIVE)

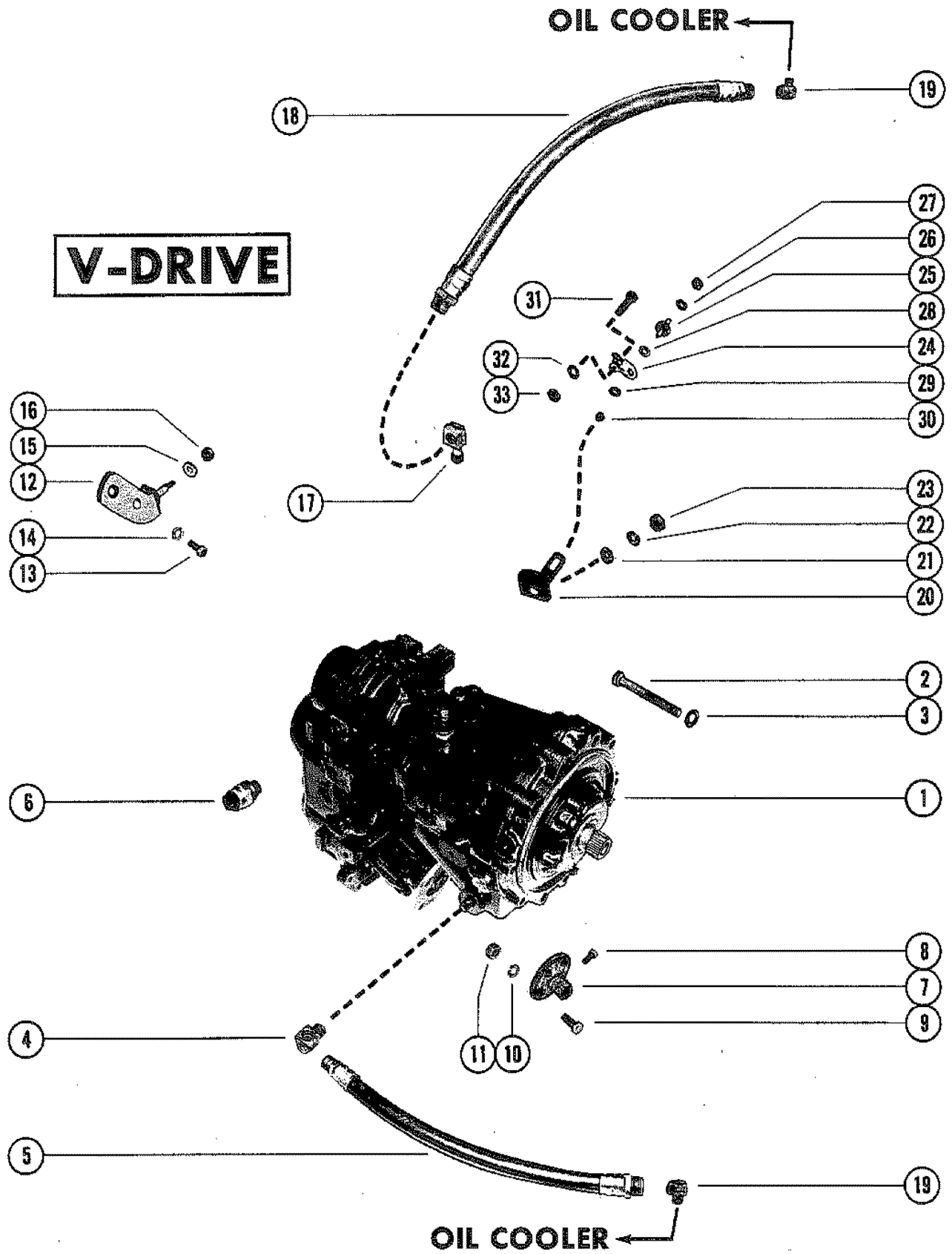


TRANSMISSION AND RELATED PARTS (V-DRIVE)

REF. NO.	PART NO.	SYM.	QTY.	DESCRIPTION
1	60953		1	TRANSMISSION, V-DRIVE (DIRECT DRIVE)
	60588		1	TRANSMISSION, V-DRIVE (1.51:1 REDUCTION)
	60954		1	TRANSMISSION, V-DRIVE (1.99:1 REDUCTION)
	60955		1	TRANSMISSION, V-DRIVE (2.49:1 REDUCTION)
	60956		1	TRANSMISSION, V-DRIVE (3.14:1 REDUCTION)
2	10-47724		6	SCREW, TRANSMISSION TO ENGINE (3")
3	13-32993		6	LOCKWASHER, TRANSMISSION SCREW
4	22-63824		1	ELBOW, HOSE TO TRANSMISSION (90 DEGREES)
5	32-47516--9		1	HOSE, OIL COOLER TO TRANSMISSION (37")
6	47613		1	SWITCH, NEUTRAL SAFETY
7	48386A1		OPT	FLANGE ASSEMBLY (1")
	48387A1		OPT	FLANGE ASSEMBLY (1 1/8")
	48388A1		OPT	FLANGE ASSEMBLY (1 1/4")
	48389A1		OPT	FLANGE ASSEMBLY (1 3/8")
	48390A1		OPT	FLANGE ASSEMBLY (1 1/2")
	57295A1		OPT	FLANGE ASSEMBLY (1 3/4")
	57296A1		OPT	FLANGE ASSEMBLY (2")
8	10-60171		2	SCREW, FLANGE TO PROPELLER SHAFT (1 1/4") SEE NOTE BELOW
	10-60170		2	SCREW, FLANGE TO PROPELLER SHAFT (1")
	10-60169		2	SCREW, FLANGE TO PROPELLER SHAFT (3/4")
9	10-60106		4	SCREW, TRANSMISSION FLANGE TO PROPELLER FLANGE (1 1/4")
10	13-32993		4	LOCKWASHER, FLANGE SCREW
11	11-22024		4	NUT, FLANGE SCREW
12	63815A1		1	BRACKET, SHIFT CABLE
13	10-35585		2	SCREW, BRACKET TO FLYWHEEL HOUSING
14	13-26992		2	LOCKWASHER, BRACKET TO TRANSMISSION SCREW
15	12-56681		1	WASHER, SHIFT CABLE TO BRACKET STUD
16	11-46438		1	NUT, SHIFT CABLE TO BRACKET STUD (10-32)
17	22-47629		1	ELBOW, HOSE TO TRANSMISSION (90 DEGREES)
18	32-47516-10		1	HOSE, TRANSMISSION TO OIL COOLER (33")
19	22-47629		2	ELBOW, HOSE TO OIL COOLER (90 DEGREES)
20	48515		1	LEVER, SHIFT - TRANSMISSION
21	12-20722		1	WASHER, SHIFT LEVER
22	13-26993		1	LOCKWASHER, SHIFT LEVER
23	11-20083		1	NUT, SHIFT LEVER
24	48652		1	ADAPTOR, SHIFT CABLE
25	16-48680		1	STUD, SHIFT CABLE ADAPTOR
26	12-20533		1	WASHER, SHIFT CABLE
27	11-46887		1	NUT, SHIFT CABLE
28	13-29402		1	WAVE WASHER, SHIFT

CONTINUED ON NEXT PAGE ➡

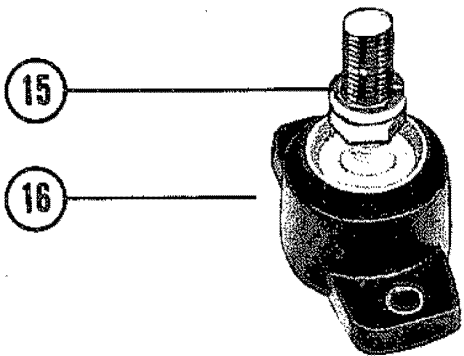
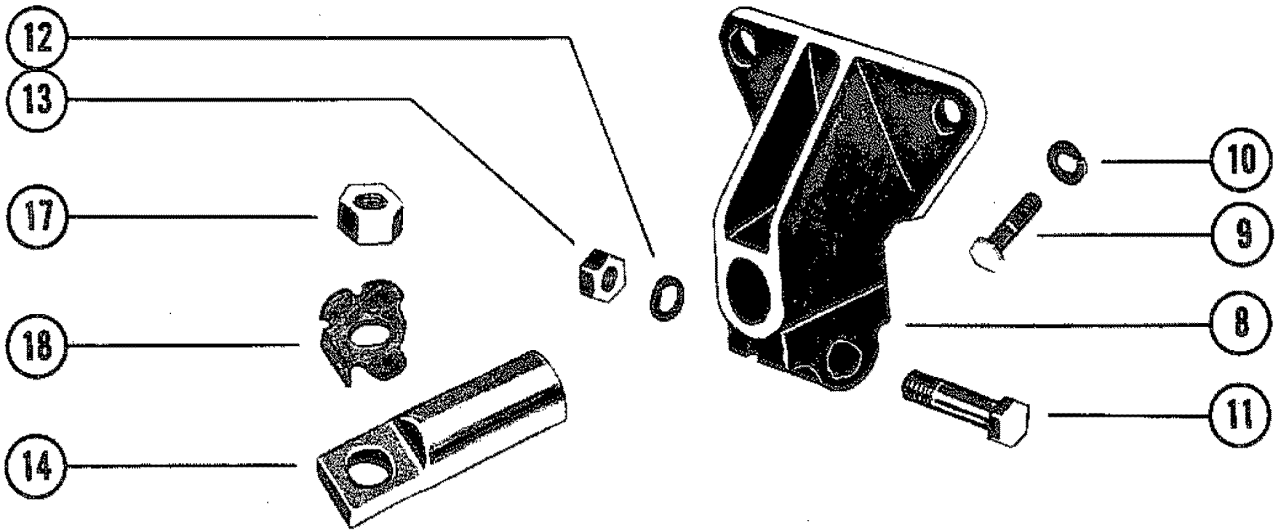
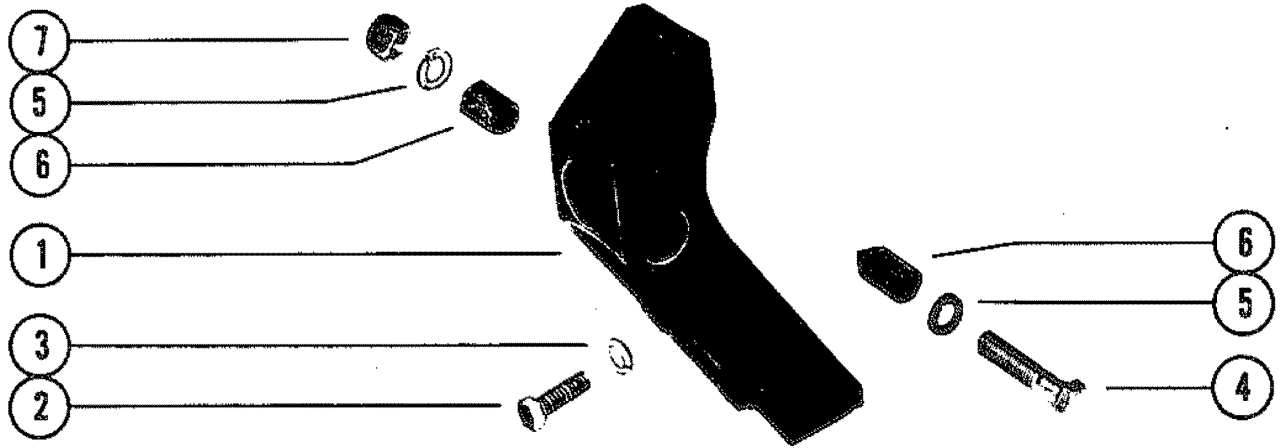
TRANSMISSION AND RELATED PARTS (V-DRIVE)



TRANSMISSION AND RELATED PARTS (V-DRIVE)

REF. NO.	PART NO.	SYM.	QTY.	DESCRIPTION
29	12-56681		1	WASHER, SHIFT CABLE
30	11-46438		1	NUT, SHIFT CABLE
31	10-20639		1	SCREW, SHIFT CABLE
32	12-22753		1	WASHER,SHIFT CABLE
33	11-46793		1	NUT, SHIFT CABLE

TRANSMISSION AND ENGINE MOUNTING (V-DRIVE)

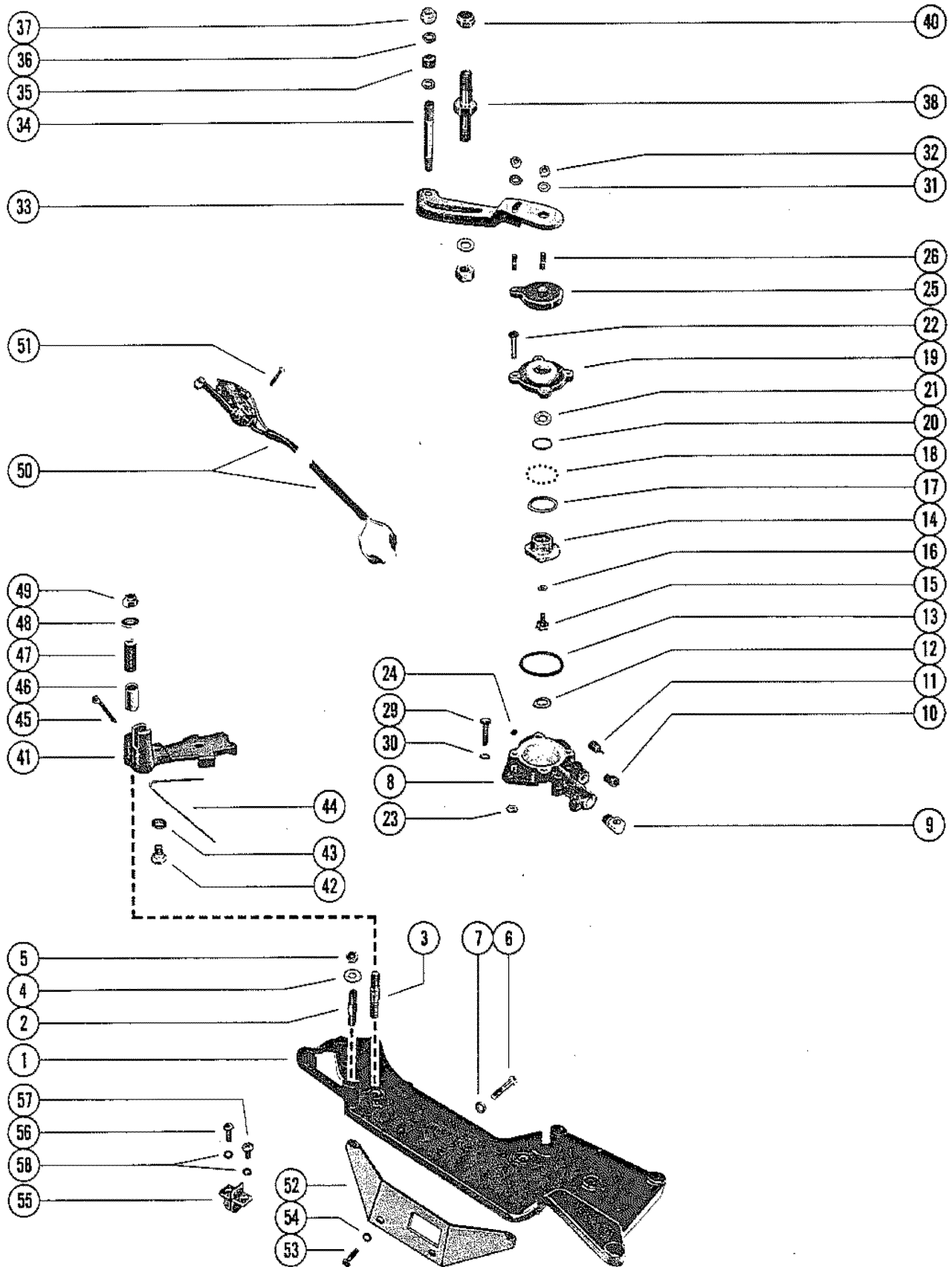


V-DRIVE

TRANSMISSION AND ENGINE MOUNTING (V-DRIVE)

REF. NO.	PART NO.	SYM.	QTY.	DESCRIPTION
1	62285		2	BRACKET, MOUNTING (REAR)
2	10-47462		4	SCREW, MOUNTING BRACKET TO TRANSMISSION (1 1/4")
3	13-32993		4	LOCKWASHER, MOUNTING BRACKET SCREW
4	10-47654		2	SCREW, CLAMPING - MOUNTING BRACKET (2 3/4")
5	13-32993		2	LOCKWASHER, CLAMPING SCREW
6	54-47528		4	CLAMP, ADJUSTING TRUNNION SCREW
7	11-29553		2	NUT, SCREW CLAMPING
8	71128		2	BRACKET, MOUNTING - ENGINE (FRONT)
9	10-37612		4	SCREW, MOUNTING BRACKET TO ENGINE (1 1/4")
10	13-35048		4	LOCKWASHER, MOUNTING BRACKET SCREW
11	10-37269		2	SCREW, CLAMPING - MOUNTING BRACKET (2")
12	13-32993		2	LOCKWASHER, SCREW CLAMPING
13	11-29553		2	NUT, SCREW CLAMPING
14	66166		4	TRUNNION, ADJUSTING - MOUNTING BRACKET
15	13-68102		4	LOCKWASHER, MOUNTING BRACKET
16	66284		4	BASE, ENGINE MOUNT
17	11-20739		8	NUT, JAM - ENGINE MOUNT BASE
18	14-66658		2	TAB WASHER, ENGINE MOUNT BASE
-	16-46857		2	STUD, CARBURETOR MOUNTING (1 7/8")
-	10-28701		2	SCREW, CARBURETOR MOUNTING (3 1/2")
-	13-39107		2	LOCKWASHER, CARBURETOR MOUNTING SCREW
-	49457		1	GAUGE, OIL LEVEL (DIPSTICK)
-	60212A1		2	EXHAUST ELBOW RISER
-	16-49545		8	STUD, EXHAUST ELBOW TO RISER (1 3/4")
-	22-32802		2	PLUG, EXHAUST ELBOW RISER
-	22-36305		2	ELBOW, EXHAUST RISER
-	16-60607		4	STUD, MANIFOLD TO RISER (2 1/4")
-	11-49838		8	NUT, RISER TO EXHAUST ELBOW STUD
-	13-37459		8	LOCKWASHER, RISER TO EXHAUST ELBOW STUD
-	27-52076		6	GASKET, ELBOW TO RISER
-	73813A1		2	END CAP, REAR
-	27-73814		2	GASKET, END CAP TO EXHAUST MANIFOLE
-	10-25299		8	SCREW, END CAP ATTACHING (3/4")

SHIFT BRACKET AND REVERSE LOCK VALVE

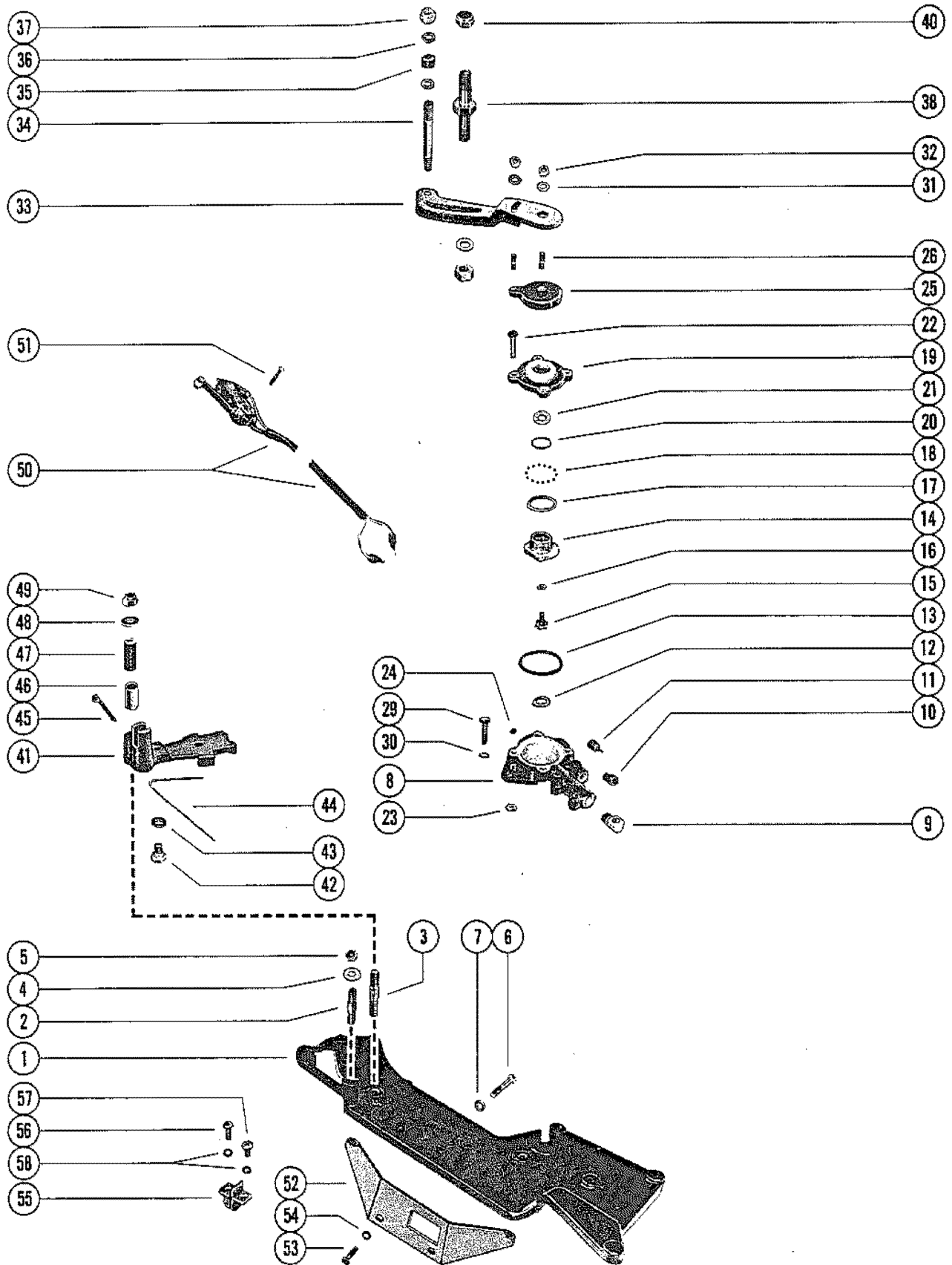


SHIFT BRACKET AND REVERSE LOCK VALVE

REF. NO.	PART NO.	SYM.	QTY.	DESCRIPTION
1	66057A3		1	SHIFT BRACKET ASSEMBLY
2	16-79661		1	STUD, SHIFT CABLE TO BRACKET (1 3/4")
3	16-73563		1	STUD, SWITCH ACTUATING ARM TO SHIFT BRACKET (2 5/16")
4	12-39143		2	WASHER, SHIFT CABLE TO LEVER STUD
5	11-20361		2	NUT, SHIFT BRACKET STUD
6	10-52498		2	SCREW, SHIFT BRACKET TO FLYWHEEL HOUSING (1 1/2")
7	12-22248		2	WASHER, SHIFT BRACKET ATTACHING SCREW
8	76812A4		1	REVERSE LOCK VALVE ASSEMBLY
9	22-45794		1	ELBOW, HUDRAULIC TRIM HOSE TO REVERSE LOCK VALVE
10	22-48167		1	CONNECTOR, ELBOW
11	45709		1	FOLLOWER, CAM
12	13-25906		1	WASHER, WAVE - REVERSE LOCK VALVE
13	25-45710		1	"O" RING, REVERSE LOCK VALVE
14	45526		1	CAM, REVERSE LOCK VALVE
15	10-46736		1	SCREW, CAM TO CAM LEVER (1/2")
16	13-26996		1	LOCKWASHER, CAM SCREW
17	12-45713		1	WASHER, RETAINING - BALL TO VALVE COVER
18	30-45712		30	BALL, VALVE COVER
19	45528A2		1	COVER ASSEMBLY, REVERSE LOCK VALVE
20	25-45711		1	"O" RING, VALVE COVER
21	12-59570		1	WASHER, VALVE COVER
22	10-45716		4	SCREW, COVER TO REVERSE LOCK VALVE (15/16")
23	11-20110		4	NUT, COVER SCREW
24	22-52644		1	PLUG, PIPE - REVERSE LOCK VALVE
25	46732A1		1	LEVER ASSEMBLY, CAM
26	16-45715		2	STUD, SHIFT CONTROL LEVER TO CAM LEVER (23/32")
29	10-25299		2	SCREW, REVERSE LOCK VALVE TO SHIFT SUPPORT BRACKET (3/4")
30	13-21804		2	LOCKWASHER, REVERSE LOCK VALVE SCREW
31	12-21273		2	WASHER, CAM LEVER STUD
32	11-20110		2	NUT, SHIFT CONRTOL LEVER TO CAM LEVER STUD
33	66397A1		1	LEVER ASSEMBLY, SHIFT CONTROL - CAM LEVER
34	16-63081		1	STUD, SHIFT CABLE TO LEVER
35	23-31866		1	SPACER, SHIFT LEVER STUD
36	12-39143		2	WASHER, SHIFT LEVER STUD
37	11-20361		1	NUT, SHIFT CABLE TO LEVER STUD
38	16-63335		1	STUD, SHIFT CABLE TO SHIFT LEVER
40	11-63341		1	TEE NUT, SHIFT CABLE TO SHIFT LEVER
41	45517A2		1	ARM ASSEMBLY, SWITCH ACTUATING
42	10-33231		1	SCREW, TENSION SPRING TO ARM
43	12-26825		1	WASHER, TENSION SPRING SCREW
44	24-45599		1	SPRING, TENSION - SWITCH ACTUATING ARM

CONTINUED ON NEXT PAGE ➡

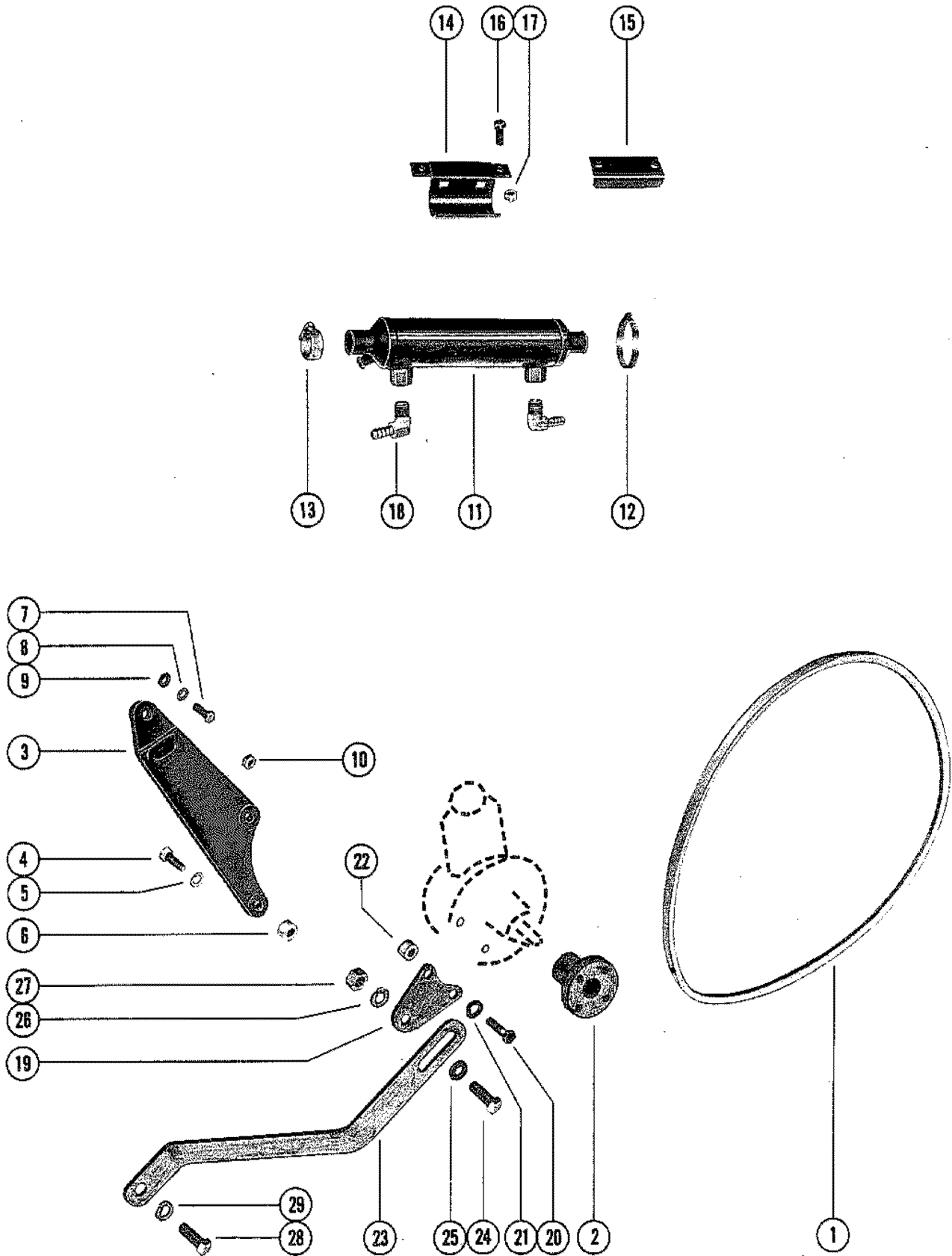
SHIFT BRACKET AND REVERSE LOCK VALVE



SHIFT BRACKET AND REVERSE LOCK VALVE

REF. NO.	PART NO.	SYM.	QTY.	DESCRIPTION
45	18-32857		1	COTTER PIN, SHIFT ACTUATING CABLE TO ACTUATING ARM
46	23-45600		1	SLEEVE, SWITCH ACTUATING ARM STUD
47	23-37981		1	SPACER, SWITCH ACUTATING ARM TO TRANSOM PLATE
48	12-26825		2	WASHER, SWITCH ACTUATING ARM STUD
49	11-35814		1	NUT, SWITCH ACTUATING ARM STUD
50	39670A28		1	SWITCH ASSEMBLY, CUT-OUT - TRANSOM PLATE
51	10-30902		2	SCREW, SWITCH ASSEMBLY TO TRANSOM PLATE (3/4")
52	66059		1	BRACKET, MOUNTING - SHIFT
53	10-35386		3	SCREW, SHIFT BRACKET ATTACHING
54	13-39107		3	JLOCKWASHER, SHIFT BRACKET ATTACHING SCREW
55	86-66986		1	TERMINAL BLOCK, SHIFT BRACKET
56	10-24637		1	SCREW, TERMINAL BLOCK (7/8")
57	10-45218		1	SCREW, TERMINAL BLOCK (3/8")
58	13-26996		2	LOCKWASHER, TERMINAL BLOCK SCREW

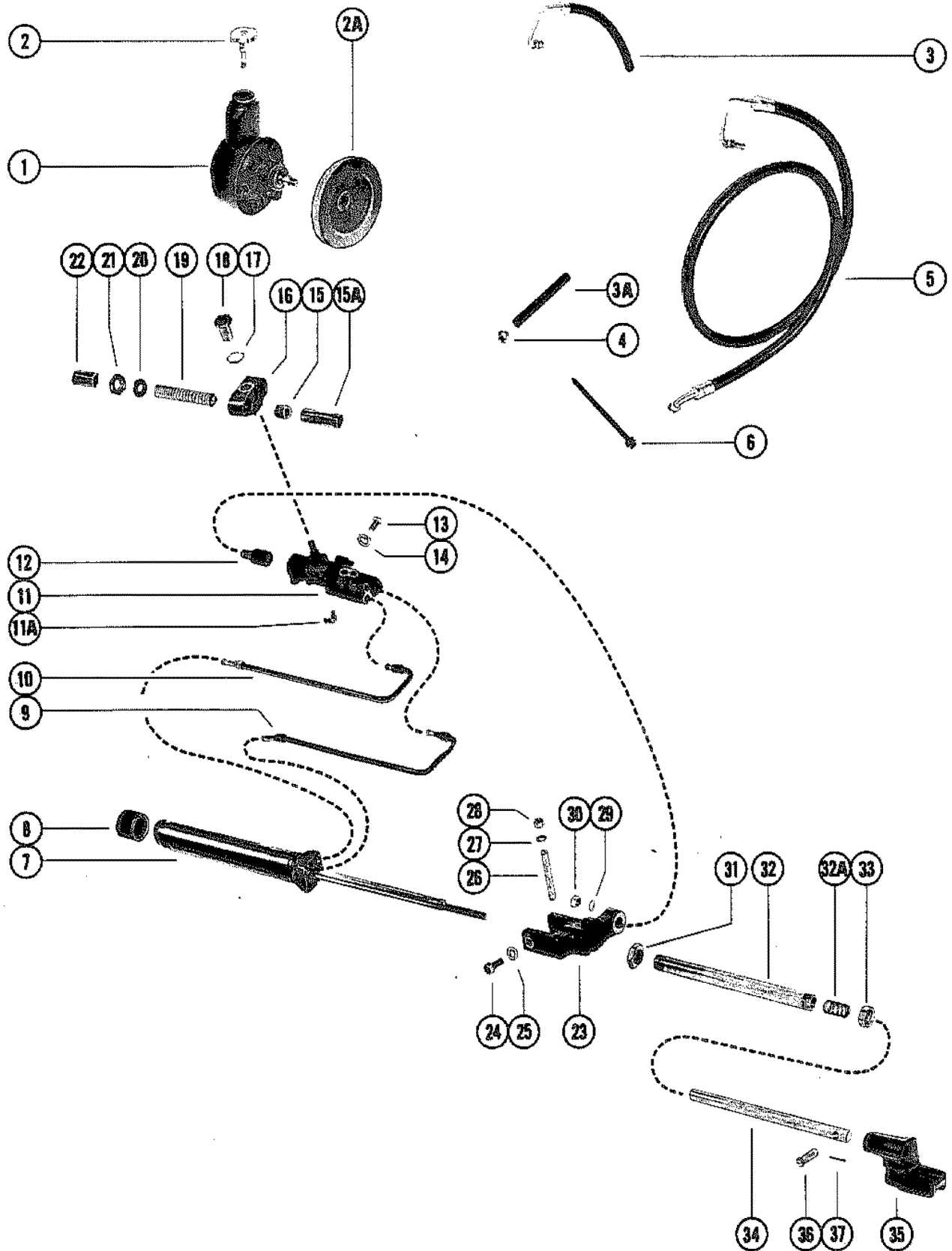
POWER STEERING COMPONENTS



POWER STEERING COMPONENTS

REF. NO.	PART NO.	SYM.	QTY.	DESCRIPTION
1	57-77274		1	V-BELT, PUMP (39 1/2") -LOW MOUNTED P/S PUMP
	57-91035		1	V-BELT, PUMP (49 1/2) -HIGH MOUNTED P/S PUMP
2	73873		1	PULLEY, STERRING PUMP
3	57611		1	BRACKET, PUMP (LOW MOUNTED P/S PUMP)
	90981A2		1	BRACKET, PUMP (HIGH MOUNTED P/S PUMP)
4	10-32132		1	SCREW, STERRING PUMP TO BRACKET (1 3/4")-NON METRIC
	10-40001203		1	SCREW, STERRING PUMP TO BRACKET (45MM)-METRIC
5	13-35048		1	LOCKWASHER, STEERING PUMP SCREW (NON METRIC)
	13-40024008		1	LOCKWASHER, STEERING PUMP SCREW(METRIC)
6	23-36534		1	SPACER, STEERING PUMP SCREW(NON METRIC)
	23-90523		1	SPACER, STEERING PUMP SCREW(METRIC)
7	10-34354		2	SCREW, BRACKET TO CYLINDER BLOCK (1 1/2")
8	13-35048		2	LOCKWASHER, BRACKET SCREW
9	12-38622		1	WASHER, BRACKET SCREW (FOR SLOT)
10	11-68411		1	NUT, STEERING PUMP STUD (NON METRIC)
	11-90517		1	NUT, STEERING PUMP STUD (METRIC)
11	49770		1	OIL COOLER (SERIAL #5182832 AND BELOW)
	77912		1	OIL COOLER (SERIAL #5182833 AND UP)
12	54-32781		2	CLAMP, OIL COOLER TO BRACKET
13	54-64324		2	CLAMP, HOSE ATTACHING TO OIL COOLER
14	49748A1		1	BRACKET ASSEMBLY, OIL COOLER
15	49735		1	BRACKET, OIL COOLER MOUNT
16	10-20359		1	SCREW, OIL COOLER MOUNT BRACKET
17	11-68411		1	NUT, MOUNT BRACKET SCREW
18	22-37760		2	ELBOW, OIL COOLER
19	85011A1		1	BRACKET, HYDRAULIC PUMP
20	10-26487		2	SCREW, BRACKET TO HYDRAULIC PUMP (1 1/8")-NON METRIC
	10-40001194		2	SCREW, BRACKET TO HYDRAULIC PUMP (30MM)-METRIC
21	13-35048		2	LOCKWASHER, BRACKET SCREW (NON METRIC)
	13-40024008		2	LOCKWASHER, BRACKET SCREW (NETRIC)
22	23-36365		2	SPACER, BRACKET SCREW (NON METRIC)
	23-90520		2	SPACER, BRACKET SCREW (METRIC)
23	88777		1	BRACE, POWER STEERING PUMP
24	10-37612		1	SCREW, BRACE TO BRACKET (1 1/4") SERIAL 00000000-#5182832
25	12-34714		1	WASHER, BRACE SCREW SERIAL 00000000-#5182832
24	10-34353		1	SCREW, BRACE TO BRACKET (1") SERIAL #5182833-09999999
25	12-38622		1	WASHER, BRACE SCREW SERIAL #5182833-09999999
26	13-35048		1	LOCKWASHER, BRACE SCREW
27	11-32219		1	NUT, BRACE SCREW
28	10-76926		1	SCREW, BRACE TO ENGINE (5/8")
29	13-35048		1	LOCKWASHER, BRACE SCREW

POWER STEERING COMPONENTS (WITH HOSES)

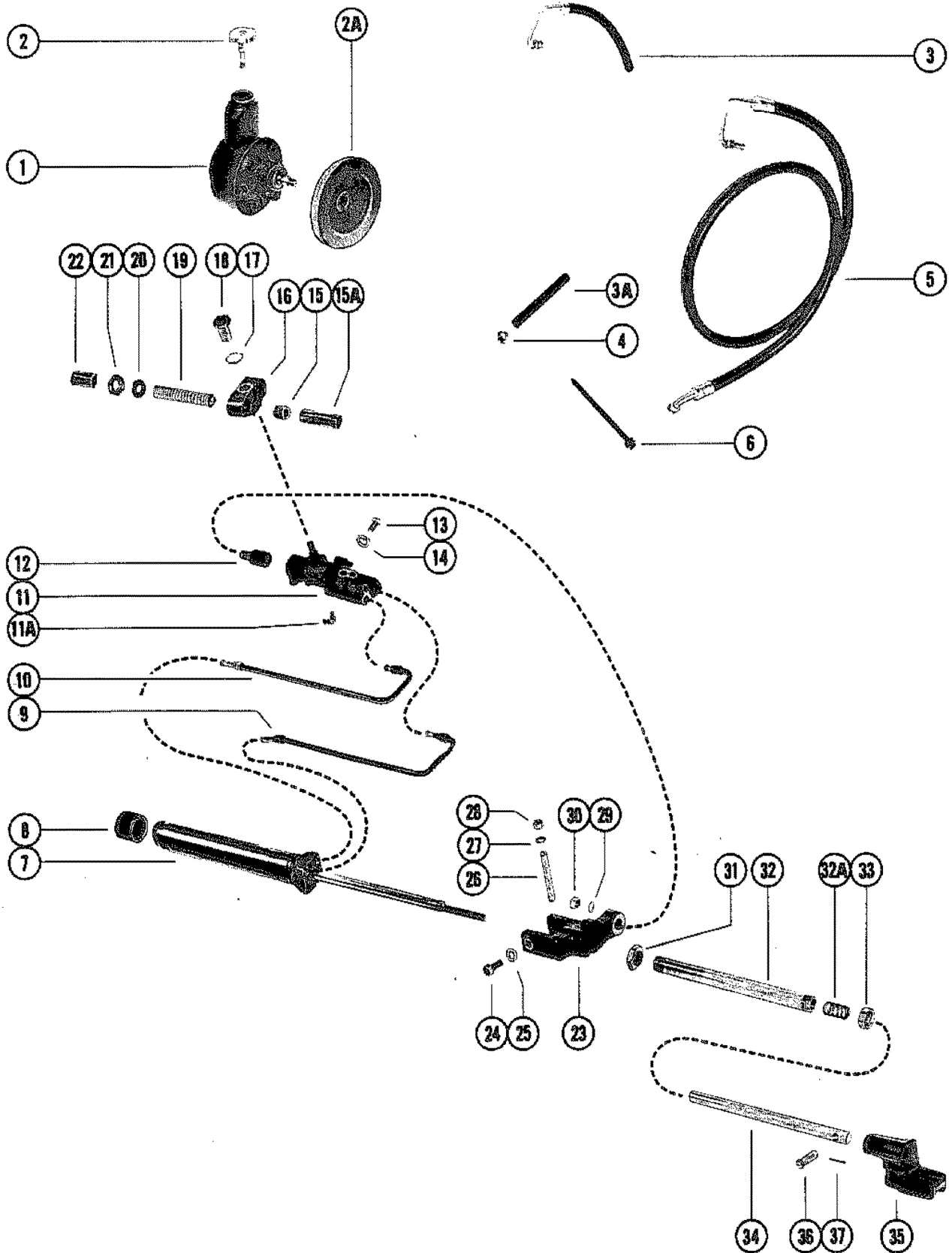


POWER STEERING COMPONENTS (WITH HOSES)

REF. NO.	PART NO.	SYM.	QTY.	DESCRIPTION
1	71317A8		1	HYDRAULIC PUMP ASSEMBLY, POWER STEERING (NON METRIC)
	90507A1		1	HYDRAULIC PUMP ASSEMBLY, POWER STEERING (METRIC)
2	38333		1	CAP, FILLER-HYDRAULIC PUMP
2A	73873		1	PULLEY, HYDRAULIC PUMP
3	32-65929		1	HOSE, RETURN-VALVE TO OIL COOLER (32")
3A	32-65231		1	HOSE, RETURN- OIL COOLER TO HYRAULIC PUMP (40")
4	54-35830		3	CLAMP, RETURN HOSE TO HYRAULIC PUMP
5	32-55116		1	HOSE, PRESSURE- POWER STEERING (60")-NON METRIC
	32-90494		1	HOSE, PRESSURE- POWER STEERING (60")-METRIC
6	61990		1	STA-STRAP, HYDRAULIC HOSES
7	57969		1	CYLINDER, BOOSTER (B-25-58224A1 SEAL REPAIR KIT)
8	26059		1	CAP, RUBBER- BOOSTER CYLINDER
9	32-57633		1	TUBE, EXTENDING- POWER STEERING
10	32-57634		1	TUBE, RETRACTING- POWER STEERING
11	52779A2		1	VALVE, POWER STEERING (B-25-58226A1 SEAL REPAIR KIT)
11A	22-67305		1	FITTING, GREASE- POWER STEERING VALVE
12	16-55109		1	STUD, ADAPTOR- POWER STEERING VALVE
13	10-37612		1	SCREW, CLAMPING (1 1/4")
14	13-37459		1	LOCKWASHER, CLAMPING SCREW
15	23-60773		1	SLEEVE, ADJUSTING- CABLE GUIDE TUBE
15A	23-60652		1	SLEEVE, ADJUSTING- CABLE GUIDE TUBE
16	55110		1	ADAPTOR, CABLE GUIDE TUBE (DUAL)
17	13-20897		1	LOCKWASHER, DUAL ADAPTOR NUT
18	11-55111		1	NUT, DUAL ADAPTOR TO POWER STEERING VALVE
19	32-55112		1	TUBE, CABLE GUIDE
20	12-37985		2	WASHER, CABLE GUIDE TUBE
21	11-37984		2	NUT, CABLE GUIDE TUBE
22	64414		1	GUIDE, CABLE GUIDE TUBE
23	57286		1	BRACKET, MOUNTING - TRANSOM PLATE
24	10-31832		2	SCREW, MOUNTING BRACKET TO TRANSOM PLATE
25	13-31848		2	LOCKWASHER, MOUNTING BRACKET SCREW
26	10-57968		1	SCREW, ADJUSTING - MOUNTING BRACKET
27	13-37459		1	LOCKWASHER, ADJUSTING SCREW
28	11-24883		1	NUT, ADJUSTING SCREW
29	12-20959		1	WASHER, VALVE ADAPTOR STUD
30	11-28040		1	NUT, VALVE ADAPTOR STUD
31	11-32882		1	NUT, MOUNTING TUBE
32	57971		1	TUBE, MOUNTING - BOOSTER ROD EXTENSION
32A	24-78498		1	SPRING, TORSION - MOUNTING TUBE

CONTINUED ON NEXT PAGE ➡

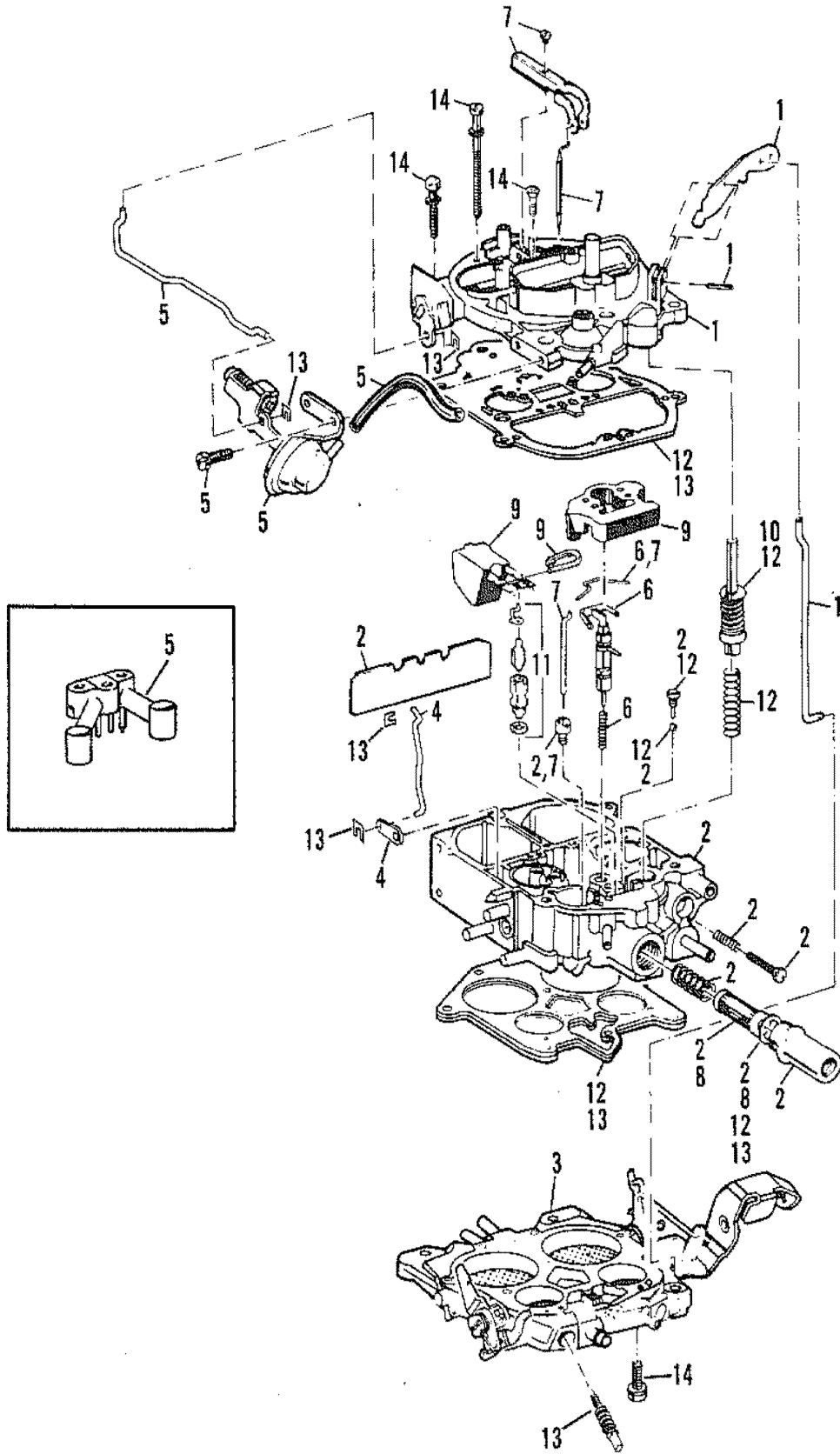
POWER STEERING COMPONENTS (WITH HOSES)



POWER STEERING COMPONENTS (WITH HOSES)

REF. NO.	PART NO.	SYM.	QTY.	DESCRIPTION
33	11-55983		1	NUT, JAM - MOUNTING TUBE
34	57970		1	EXTENSION, CYLINDER BOOSTER ROD
35	86069		1	ADAPTOR, ROD END
36	17-52798		2	PIN, CLEVIS- STEERING CABLE AND CLEVIS ATTACHING
37	18-46950		2	COTTER PIN, CLEVIS PIN RETAINING

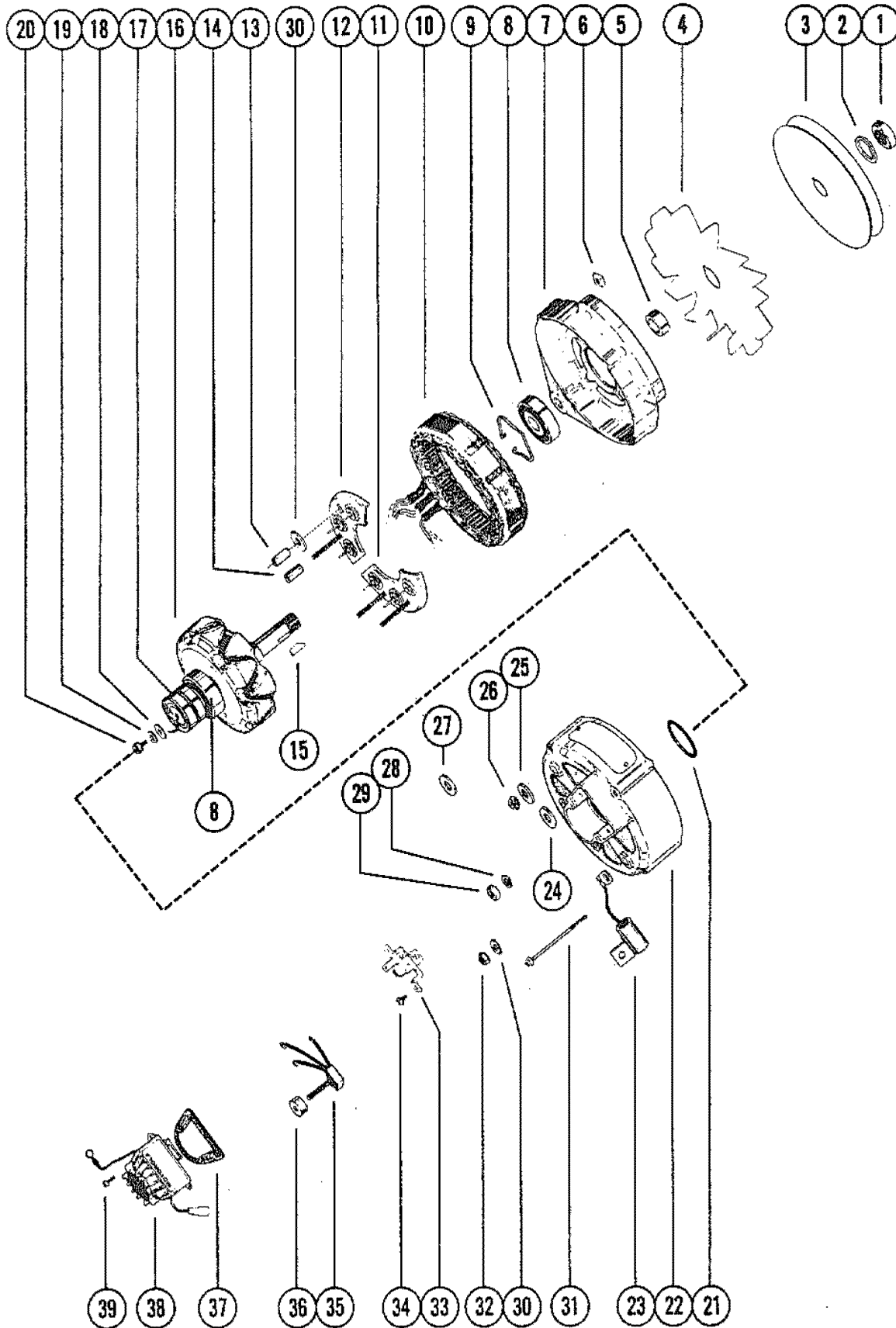
CARBURATOR ASSEMBLY



CARBURATOR ASSEMBLY

REF. NO.	PART NO.	SYM.	QTY.	DESCRIPTION
-	1376-8295A3		1	CARBURETOR ASSEMBLY
1	1397-8762		1	AIR HORN KIT
2	1397-8763		1	FLOAT BOWL KIT
3	1397-8764		1	THROTTLE BODY KIT
4	1397-8765		1	CHOKE LINK AND LEVER KIT
5	1397-8766		1	VENTURI CLUSTER KIT
6	1397-8771		1	POWER PISTON KIT
7	1397-2994		1	METERING JET AND ROD KIT
8	1397-8767		1	FUEL FILTER KIT
9	1397-8768		1	FLOAT KIT
10	1397-8769		1	PUMP KIT
11	1397-8770		1	NEEDLE AND SEAL KIT
12	1397-8760		1	CARBURETOR REPAIR KIT
13	1397-8761		1	GASKET KIT
14	1397-8772		1	SCREW KIT, AIR HORN/THROTTLE BODY

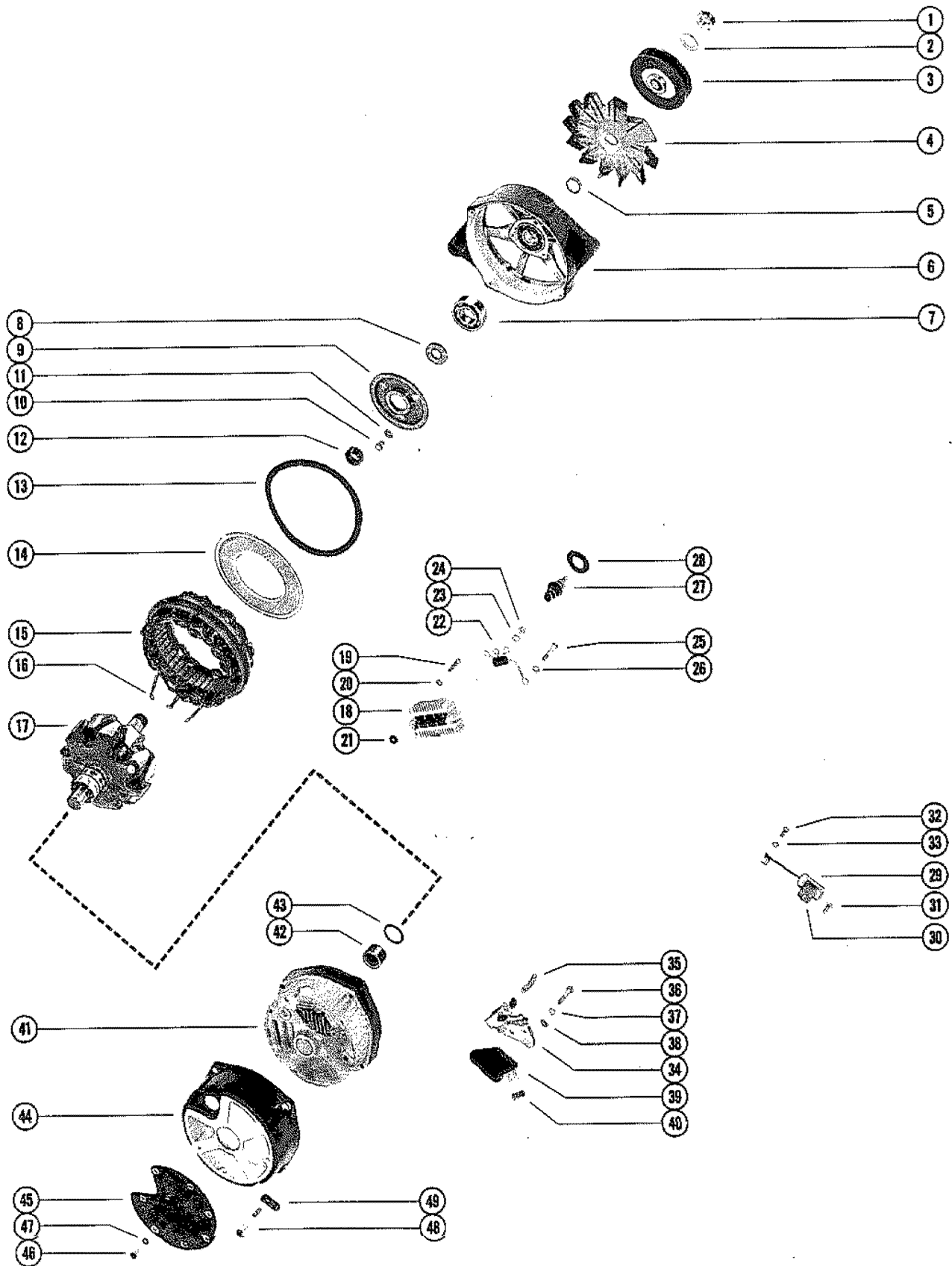
ALTERNATOR ASSEMBLY, COMPLETE (MOTOROLA)



ALTERNATOR ASSEMBLY, COMPLETE (MOTOROLA)

REF. NO.	PART NO.	SYM.	QTY.	DESCRIPTION
-	78403A1		1	ALTERNATOR ASSEMBLY, COMPLETE (MOTOROLA)
1	390-7027		1	NUT, FAN AND PULLEY TO ROTOR
2	390-7033		1	LOCKWASHER, FAN AND PULLEY NUT
3	390-7017		1	PULLEY, DRIVE END FRAME
4	390-7004		1	FAN, DRIVE END FRAME
5	390-7012		1	SPACER, FAN TO DRIVE END FRAME
6	390-7028		4	NUT, THRU BOLT ATTACHING
7	390-7000		1	COVER ASSEMBLY, FRONT
8	390-7005		2	BALL BEARING, DRIVE END FRAME AND ROTOR SHAFT
9	390-7006		1	RETAINER, DRIVE END BALL BEARING
10	390-7002		1	STATOR ASSEMBLY
11	390-7009		1	DIODE RECTIFIER, NEGATIVE
12	390-7010		1	HEAT SINK, POSITIVE
13	390-7020		1	SLEEVE, INSULATOR
14	390-7018		1	SLEEVE, INSULATOR
15	390-7034		1	KEY, ROTOR ASSEMBLY SHAFT
16	390-7001		1	ROTOR ASSEMBLY
17	390-7014		1	SLIP RING
18	390-7206		1	WASHER, ROTOR ASSEMBLY SCREW
19	390-7207		1	LOCKWASHER, ROTOR ASSEMBLY SCREW
20	390-7029		1	SCREW, ROTOR ASSEMBLY SHAFT (5/8")
21	390-7007		1	RETAINER, ROTOR SHAFT BEARING
22	390-7003		1	COVER ASSEMBLY, REAR
23	390-7035		1	CONDENSOR
24	390-7023		1	WASHER, REGULATOR TERMINAL STUD
25	390-7024		1	WASHER, CONDENSOR TERMINAL STUD
26	390-7025		1	NUT, TERMINAL STUD
27	390-7208		1	WASHER, TERMINAL STUD
28	390-7032		2	LOCKWASHER, TERMINAL STUD
29	390-7026		1	NUT, TERMINAL ATTACHING
30	390-7022		1	WASHER CONDENSOR TERMINAL STUD
31	390-7016		4	BOLT, THRU (3")
32	390-7021		1	NUT, CONDENSOR TERMINAL ATTACHING
33	390-7011		1	BRUSH HOLDER ASSEMBLY
34	390-7030		2	SCREW, BRUSH HOLDER ATTACHING (1/2")
35	390-7008		1	DIODE TRIO
36	390-7019		1	SPACER, DIODE TRIO
37	390-7013		1	GASKET, VOLTAGE REGULATOR TO ALTERNATOR
38	390-7036		1	VOLTAGE REGULATOR
39	390-7015		4	SCREW, VOLTAGE REGULATOR ATTACHING

ALTERNATOR ASSEMBLY, COMPLETE

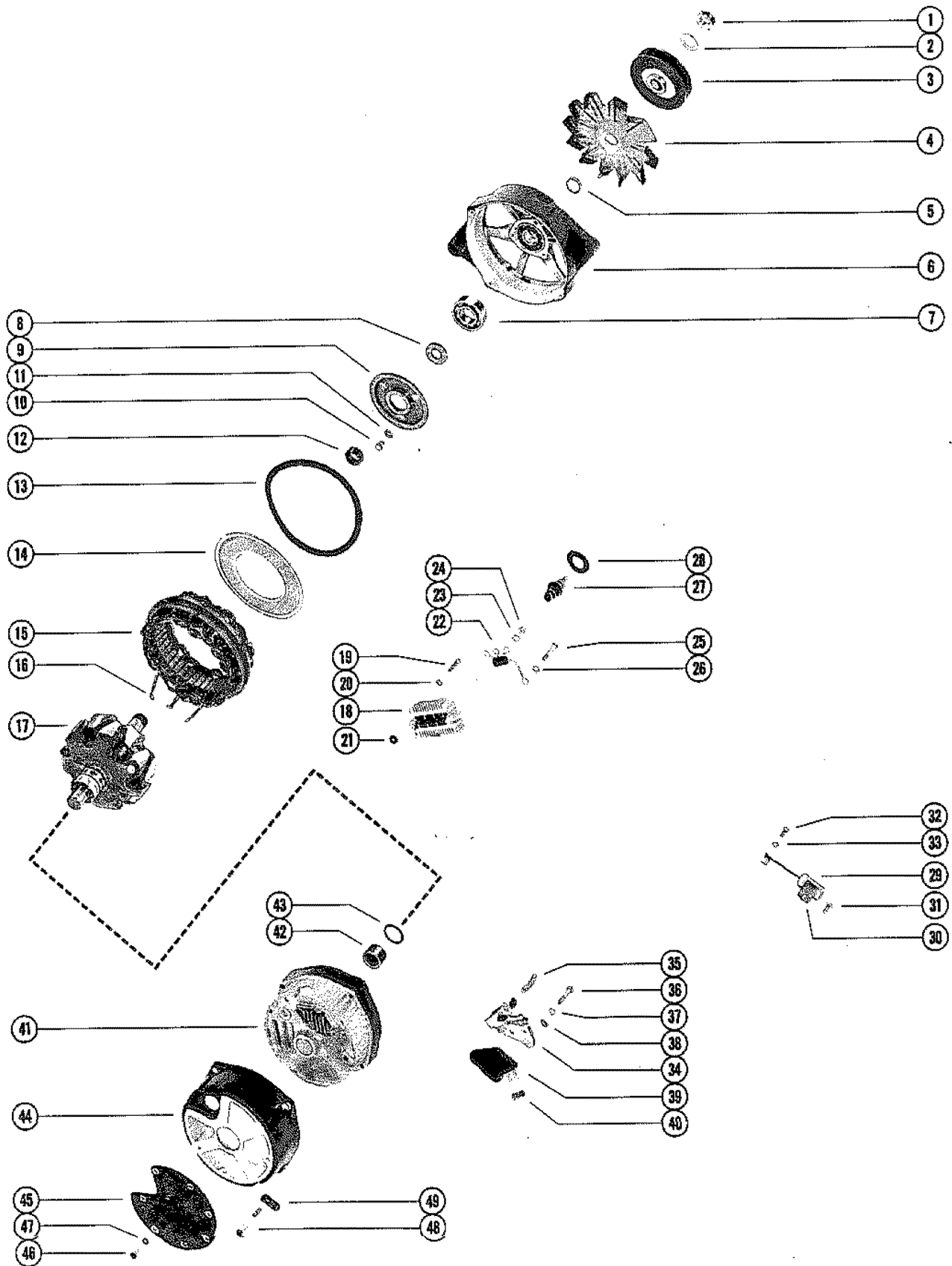


ALTERNATOR ASSEMBLY, COMPLETE

REF. NO.	PART NO.	SYM.	QTY.	DESCRIPTION
-	56045		1,,	ALTERNATOR ASSEMBLY, COMPLETE
-	59755		,1,,	ALTERNATOR ASSEMBLY, COMPLETE
-	69729		,,1,	ALTERNATOR ASSEMBLY, COMPLETE
-	78477		,,,1	ALTERNATOR ASSEMBLY, COMPLETE
1	11-33272		1,1,1,1	NUT, FAN AND PULLEY TO ROTOR
2	13-33309		1,1,1,1	LOCKWASHER, FAN AND PULLEY NUT
3	38766		1,1,1,1	PULLEY, DRIVE END FRAME
4	33336		1,1,1,1	FAN, DRIVE END FRAME
5	N.S.S.		1,1,,	COLLAR, DRIVE END FRAME - OUTER (DELCO REMY #1959991)
6	56954		,,1,1	FRAME, DRIVE END
	71704		1,1,1,1	FRAME, DRIVE END
7	30-56955		1,1,1,1	BALL BEARING, DRIVE END FRAME
8	12-56958		1,1,1,1	WASHER, GREASE SLINGER - DRIVE END FRAME
9	56956		1,1,1,1	PLATE, BALL BEARING RETAINER
10	10-27304		3,3,3,3	SCREW, RETAINER PLATE TO DRIVE END FRAME
11	13-35208		3,3,3,3	LOCKWASHER, RETAINER PLATE SCREW
12	N.S.S.		1,1,1,1	COLLAR, DRIVE END FRAME - INNER (DELCO REMY #1963139)
13	27-56960		1,,	GASKET, DRIVE END FRAME SCREEN
14	56959		1,,	SCREEN, DRIVE END FRAME
	60694		,1,1,1	SCREEN, DRIVE END FRAME
15	56935		1,1,1,1	STATOR ASSEMBLY
16	54-33329		3,3,3,3	CLIP, TERMINAL - STATOR LEADS
17	56934		1,1,1,1	ROTOR
18	56939		1,1,1,1	RECTIFIER BRIDGE
19	10-38603		1,1,,	SCREW, RECTIFIER BRIDGE ATTACHING
	10-71702		,,1,1	SCREW, RECTIFIER BRIDGE ATTACHING
20	13-34383		1,1,1,1	LOCKWASHER, RECTIFIER BRIDGE ATTACHING SCREW
21	12-56946		1,,	WASHER, INSULATED - RECTIFIER BRIDGE ATTACHING SCREW
22	56938		1,1,1,1	DIODE TRIO
23	13-34383		3,3,3,3	LOCKWASHER, DIODE TRIO TO RECTIFIER BRIDGE TERMINAL
24	11-21923		3,3,3,3	NUT, DIODE TRIO TO RECTIFIER BRIDGE TERMINAL
25	10-56945		1,1,,	SCREW, BRUSH HOLDER ATTACHING - GROUND
	10-71703		,,1,1	SCREW, BRUSH HOLDER ATTACHING - GROUND
26	13-34383		1,1,1,1	LOCKWASHER, GROUND BRUSH HOLDER SCREW
27	56948		1,,	TERMINAL PACKAGE, BATTERY
	60692		,1,1,1	TERMINAL PACKAGE, BATTERY
28	12-56947		1,1,1,1	WASHER, SPONGE NEOPRENE - BATTERY TERMINAL (1 1/4" O.D.)
29	56950		2,,	CONDENSER
	58296		,1,1,1	CONDENSER

CONTINUED ON NEXT PAGE ➡

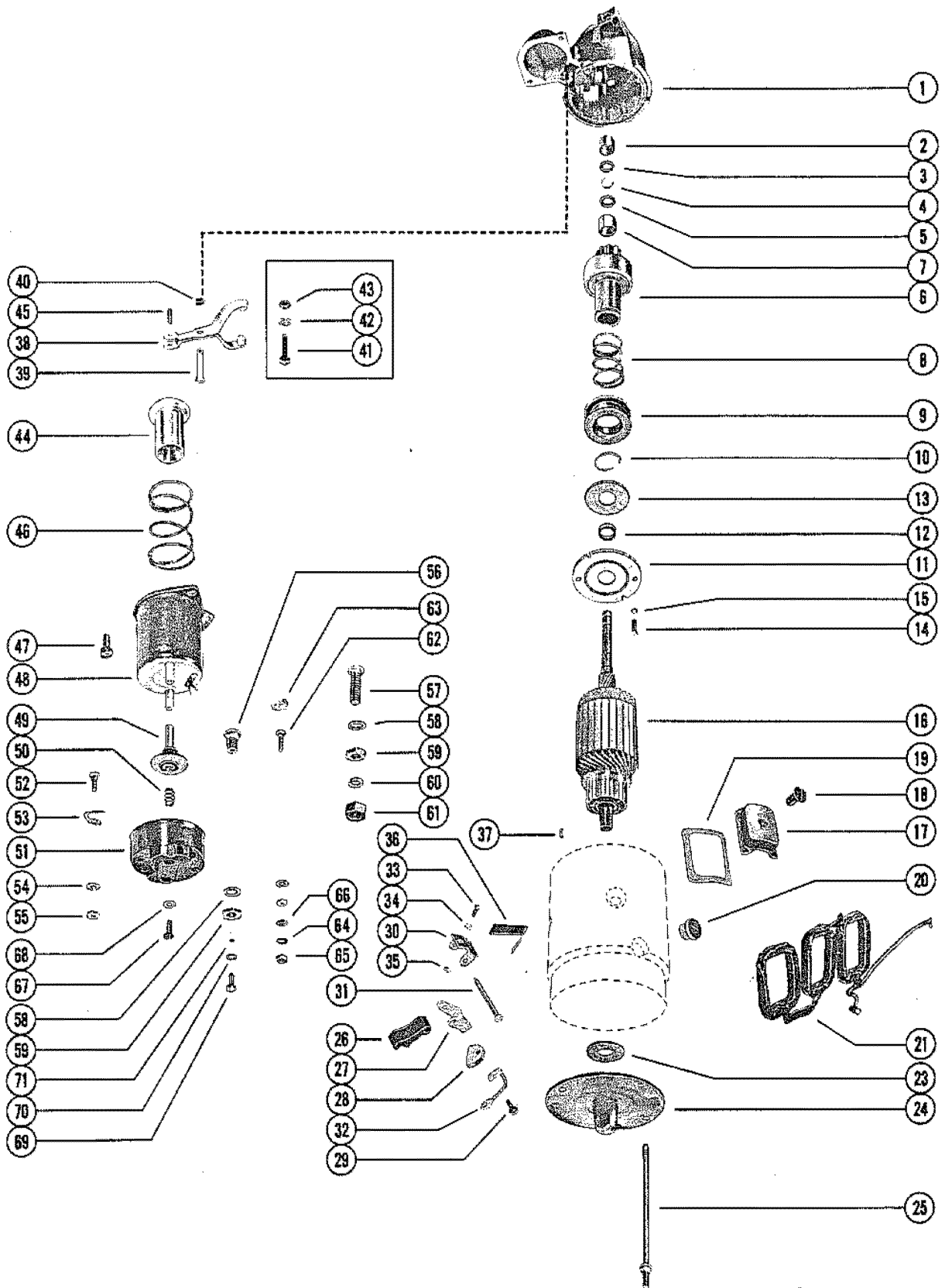
ALTERNATOR ASSEMBLY, COMPLETE



ALTERNATOR ASSEMBLY, COMPLETE

REF. NO.	PART NO.	SYM.	QTY.	DESCRIPTION
30	393-2730		2,,	BRACKET, CONDENSER
	393-2730		,1,1,1	BRACKET, CONDENSER
31	10-56951		2,,	SCREW, CONDENSER ATTACHING
	10-60693		,1,1,1	SCREW, CONDENSER ATTACHING
32	10-56952		1,,	SCREW, CONDENSER LEAD TERMINAL ATTACHING
	10-60693		,,1,1	SCREW, CONDENSER LEAD TERMINAL ATTACHING
33	13-34383		1,,	LOCKWASHER, CONDENSER LEAD TERMINAL ATTACHING SCREW
34	56942		1,1,1,1	HOLDER AND BRUSH ASSEMBLY
35	24-56943		2,2,2,2	SPRING, TENSION - BRUSHES
36	10-56944		2,,	SCREW, BRUSH HOLDER ATTACHING - INSULATED
	10-60691		,2,2,2	SCREW, BRUSH HOLDER ATTACHING - INSULATED
37	13-34383		2,,	LOCKWASHER, INSULATED BRUSH HOLDER SCREW
38	12-56946		2,,	WASHER, INSULATED - BRUSH HOLDER SCREW
39	56932		1,1,,	VOLTAGE REGULATOR, TRANSISTOR
	71699		,,1,	VOLTAGE REGULATOR, TRANSISTOR
	78385		,,,1	VOLTAGE REGULATOR, TRANSISTOR
40	54-56933		1,1,1,1	CLIP, SHORTING - VOLTAGE REGULATOR
-	71700		,,1,	LEAD, VOLTAGE REGULATOR
-	11-71701		,,1,	NUT, VOLTAGE REGULATOR
41	56936		1,,	FRAME ASSEMBLY, SLIP RING END
42	31-56937		1,,	ROLLER BEARING, SLIP RING END FRAME
43	26-33348		1,,	SEAL, SLIP RING END FRAME
41	60689		,1,1,1	FRAME ASSEMBLY, SLIP RING END
42	31-60690		,1,1,1	ROLLER BEARING, SLIP RING END FRAME
44	56961		1,,	COVER ASSEMBLY, SLIP RING END
45	35-56962		1,,	SCREEN, COVER
46	10-56963		7,,	SCREW, SCREEN TO COVER
47	13-35208		7,,	LOCKWASHER, SCREEN SCREW
44	60695		,1,1,	COVER ASSEMBLY, SLIP RING END
	78387		,,,1	COVER ASSEMBLY, SLIP RING END
45	35-60696		,1,1,1	SCREEN, COVER
46	10-56963		,7,7,7	SCREW, SCREEN TO COVER
47	13-35208		,7,7,7	LOCKWASHER, SCREEN SCREW
48	10-33322		4,4,4,4	BOLT, THRU - SLIP RING END FRAME TO DRIVE END FRAME
49	54-56953		1,1,1,1	CLIP, GROUND - THRU BOLT
-	78386		,,,1	BOOT, VOLTAGE REGULATOR TERMINALS
-	78388		,,,1	CONNECTOR
-	78389		,,,1	BRACKET, CONNECTOR ATTACHING
-	11-71701		,,,2	NUT, BRACKET ATTACHING

STARTER MOTOR ASSEMBLY, COMPLETE (B-50-77328A1)

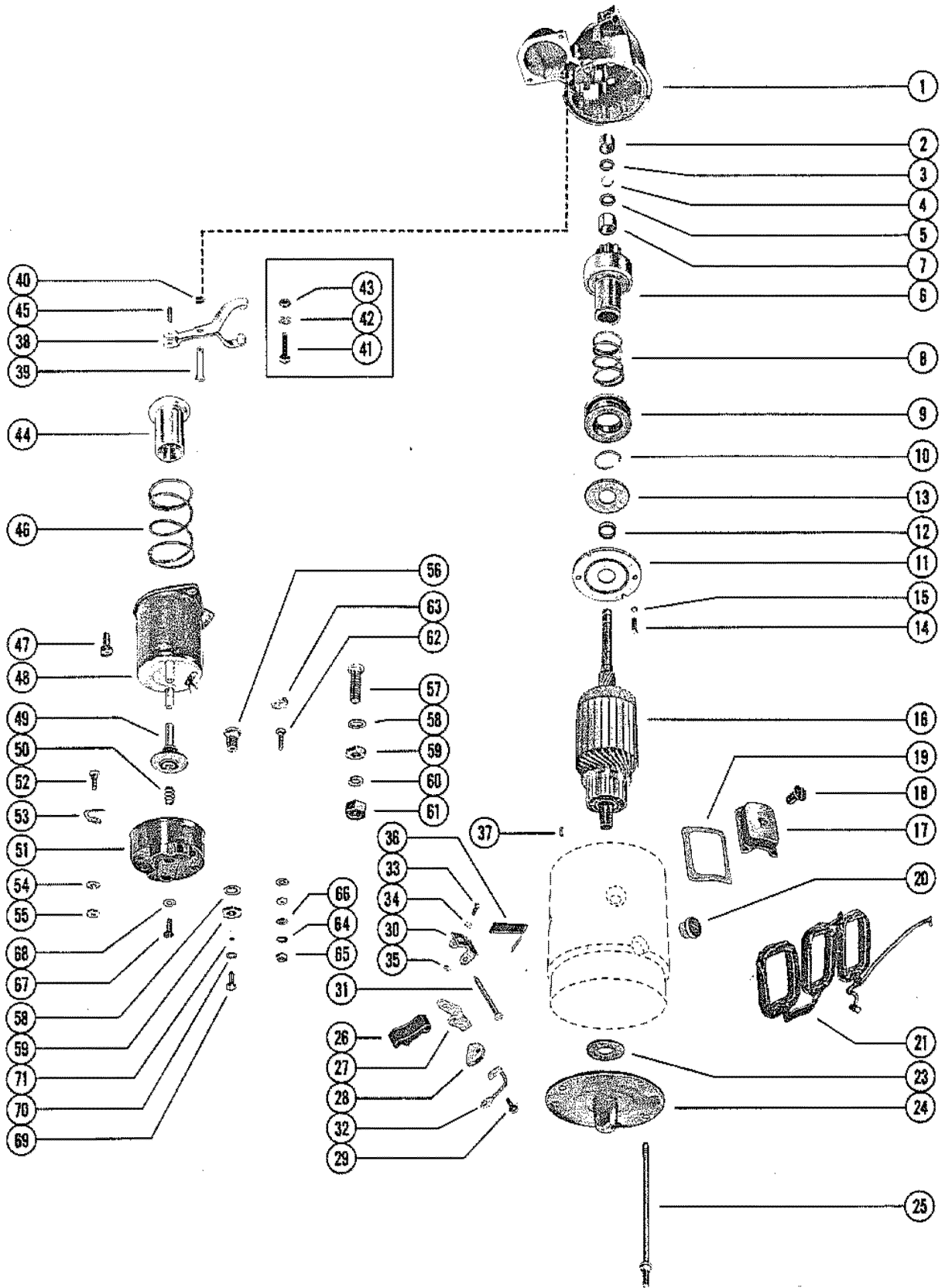


STARTER MOTOR ASSEMBLY, COMPLETE (B-50-77328A1)

REF. NO.	PART NO.	SYM.	QTY.	DESCRIPTION
-	50-77328A1		1,,,	STARTER MOTOR ASSEMBLY, COMPLETE
-	50-76965A1		,1,,,	STARTER MOTOR ASSEMBLY, COMPLETE
-	50-79604A1		,,1,,	STARTER MOTOR ASSEMBLY, COMPLETE
-	50-79822A1		,,,1,	STARTER MOTOR ASSEMBLY, COMPLETE
-	50-79823A1		,,,1,	STARTER MOTOR ASSEMBLY, COMPLETE
1	75666		1,,,	HOUSING, DRIVE END
	79206		,1,1,,	HOUSING, DRIVE END
	71696		,,,1,1	HOUSING, DRIVE END
2	23-33369		1,1,1,1,1	BUSHING, DRIVE END HOUSING
3	33292		1,1,1,1,1	COLLAR, THRUST - DRIVE END HOUSING
4	53-33290		1,1,1,1,1	RING, RETAINING - PINION STOP COLLAR
5	33291		1,1,1,1,1	COLLAR, PINION STOP - DRIVE END HOUSING
6	33318		1,,,	DRIVE ASSEMBLY, CLUTCH - ARMATURE
	68608		,1,,,	DRIVE ASSEMBLY, CLUTCH - ARMATURE
	68609		,,1,,	DRIVE ASSEMBLY, CLUTCH - ARMATURE
	79205		,,,1,1	DRIVE ASSEMBLY, CLUTCH - ARMATURE
7	23-33369		1,1,1,1,1	BUSHING, GEAR END - CLUTCH DRIVE (1 9/16")
8	24-33368		1,1,1,1,1	SPRING, CLUTCH DRIVE
9	N.S.S.		1,1,1,1,1	COLLAR, CLUTCH DRIVE (DELCO REM #1904443)
10	33367		1,1,1,1,1	LOCKWIRE, COLLAR AND SPRING RETAINING
11	79396		1,1,1,,	PLATE, BEARING
	68620		,,1,1,	PLATE, BEARING
12	23-71694		1,1,1,1,1	BUSHING, BEARING PLATE
13	12-68614		1,1,1,1,1	WASHER, BEARING PLATE
14	10-75659		2,2,2,,	SCREW, BEARING PLATE ATTACHING
	10-79209		,,,2,2	SCREW, BEARING PLATE ATTACHING
15	13-26996		2,2,2,2,2	LOCKWASHER, BEARING BLATE SCREW
16	75665		1,,,1,	ARMATURE
	68606		,1,,,	ARMATURE
	68607		,,1,,	ARMATURE
	71693		,,,1,	ARMATURE
17	48263		4,4,4,4,	SHOE, POLE - FIELD COIL
	N.S.S.		,,,4	SHOE, POLE - FIELD (DELCO REMY #1931129)
18	10-60684		4,4,4,4,4	SCREW, POLE SHOE TO FIELD COIL
19	33293		4,4,4,4,4	INSULATION, FIELD COIL
20	25-68619		1,1,1,,	GROMMET, FIELD COIL - FIELD FRAME
	25-79208		,,,1,1	GROMMET, FIELD COIL - FIELD FRAME
21	75664		1,,1,1,	FIELD COIL ASSEMBLY
	48272		,1,,,	FIELD COIL ASSEMBLY
	79212		,,,1,	FIELD COIL ASSEMBLY
23	12-33258		1,1,1,1,1	WASHER, LEATHER - COMMUTATOR END FRAME
24	33295		1,1,1,,	FRAME, COMMUTATOR END - LOWER
	79211		,,,1,1	FRAME, COMMUTATOR END - LOWER

CONTINUED ON NEXT PAGE ➡

STARTER MOTOR ASSEMBLY, COMPLETE (B-50-77328A1)

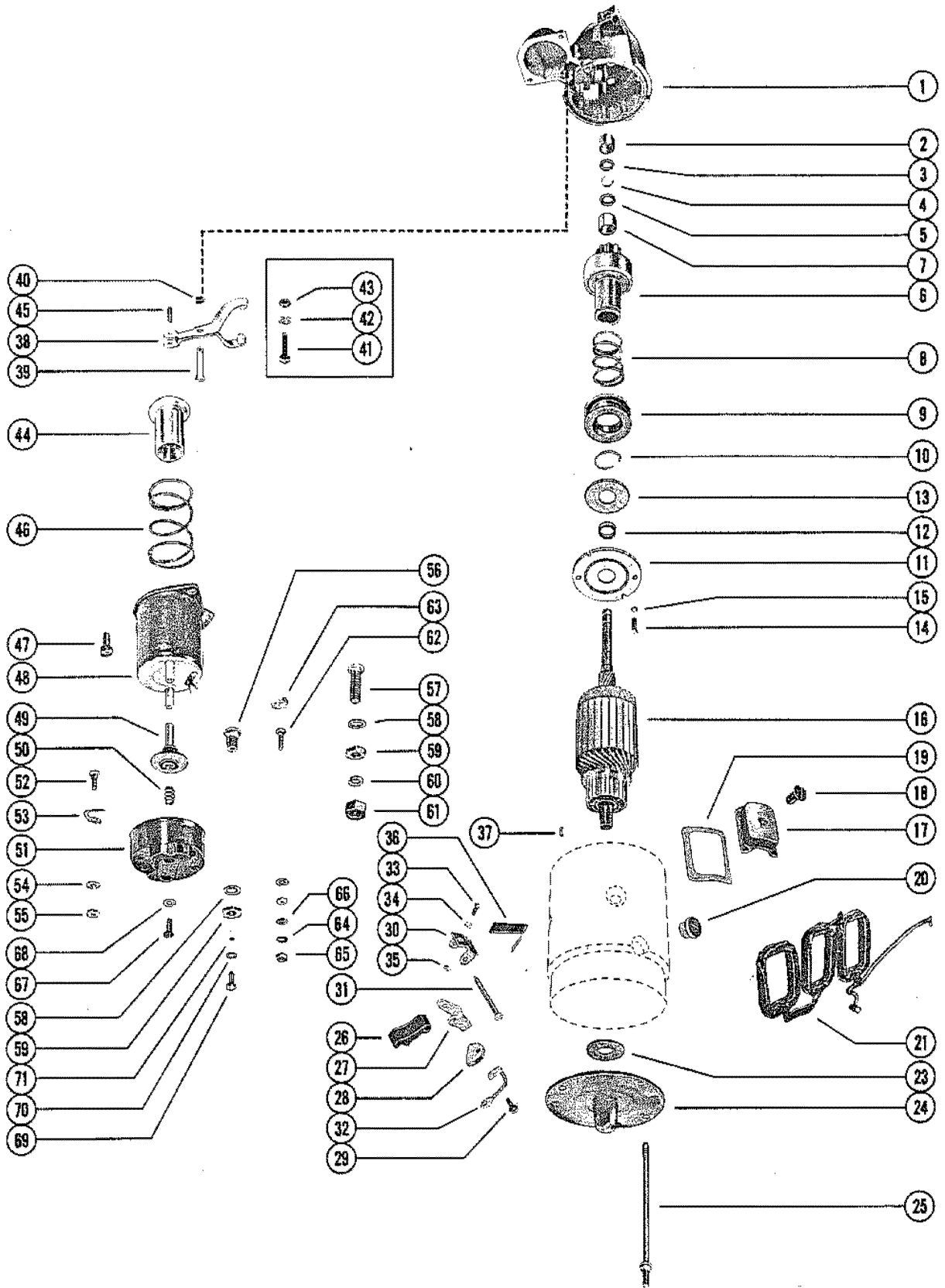


STARTER MOTOR ASSEMBLY, COMPLETE (B-50-77328A1)

REF. NO.	PART NO.	SYM.	QTY.	DESCRIPTION
25	10-33296		1,1,1,1,1	BOLT, THRU - COMMUTATOR END TO DRIVE END HOUSING
	10-33286		1,1,1,1,1	BOLT, THRU - COMMUTATOR END TO DRIVE END HOUSING 1
26	33284		2,2,2,2,2	HOLDER, INSULATED - FIELD FRAME BRUSH
27	33283		2,2,2,2,2	HOLDER, INSULATED - FIELD FRAME BRUSH
28	33270		4,4,4,4,4	BRUSH, FIELD FRAME
29	10-46888		2,2,2,2,2	SCREW, BRUSH LEAD TO FIELD FRAME BRUSH (8-18 X 5/8")
	10-60685		2,2,2,2,2	SCREW, BRUSH LEAD TO FIELD FRAME BRUSH
30	33294		2,2,2,2,2	SUPPORT PACKAGE, GROUND AND INSULATED HOLDERS
31	17-33280		2,2,2,2,2	PIN, GROUND AND INSULATED HOLDER TO SUPPORT
32	60686		2,2,2,2,2	LEAD, FIELD FRAME BRUSH
33	10-33250		4,4,4,4,4	SCREW, SUPPORT TO FIELD FRAME
34	13-26996		4,4,4,4,4	LOCKWASHER, SUPPORT SCREW
35	11-30968		4,4,4,4,4	NUT, SUPPORT SCREW
36	24-33285		4,4,4,4,4	SPRING, FIELD FRAME BRUSH
37	17-33257		1,1,1,1,1	PIN, DOWEL - FIELD FRAME TO DRIVE END HOUSING
-	50-77328A1		1,,,,	STARTER MOTOR ASSEMBLY, COMPLETE
-	50-76965A1		,1,,,,	STARTER MOTOR ASSEMBLY, COMPLETE
-	50-79604A1		,,1,,	STARTER MOTOR ASSEMBLY, COMPLETE
-	50-79822A1		,,,1,	STARTER MOTOR ASSEMBLY, COMPLETE
-	50-79823A1		,,,,1	STARTER MOTOR ASSEMBLY, COMPLETE
38	71698		1,,,,	LEVER, SHIFT
39	33310		1,,,,	SHAFT, SHIFT LEVER TO DRIVE END HOUSING
40	53-33354		1,,,,	RING, RETAINING - SHIFT LEVER SHAFT
38	33297		1,1,1,1,1	LEVER, SHIFT
41	16-48268		1,1,1,1,1	STUD, SHIFT LEVER TO DRIVE END HOUSING
42	12-68615		1,1,1,1,1	WASHER, SHIFT LEVER STUD
43	11-26484		1,1,1,1,1	NUT, SHIFT LEVER STUD
44	33317		1,1,1,1,1	PLUNGER, SHIFT LEVER - SOLENOID SWITCH
45	17-24198		1,,,,	PIN, PLUNGER TO SHIFT LEVER
	17-79207		1,1,1,1,1	PIN, PLUNGER TO SHIFT LEVER
46	24-46889		1,1,1,1,1	SPRING, PLUNGER RETURN - SOLENOID SWITCH
47	10-28713		,2,2,,	SCREW, SOLENOID SWITCH TO DRIVE END HOUSING
	10-24963		2,,,2,2	SCREW, SOLENOID SWITCH TO DRIVE END HOUSING
48	33261		1,1,1,1,1	SOLENOID SWITCH ASSEMBLY
49	33316		1,1,1,1,1	CONTACT AND PUSH ROD ASSEMBLY
50	24-33265		1,1,1,1,1	SPRING, CONTACT AND PUSH ROD TENSION
51	N.S.S.		1,1,1,1,1	COVER, SOLENOID SWITCH (DELCO REMY #1963525)
52	16-33304		1,1,1,1,1	STUD, RESISTOR TERMINAL (10-32)
53	33305		1,1,1,1,1	CONTACT, RESISTOR TERMINAL STUD
54	13-26996		1,1,1,1,1	LOCKWASHER, RESISTOR TERMINAL STUD (#10)
55	11-68219		1,1,1,1,1	NUT, RESISTOR TERMINAL STUD (10-32)

CONTINUED ON NEXT PAGE ➡

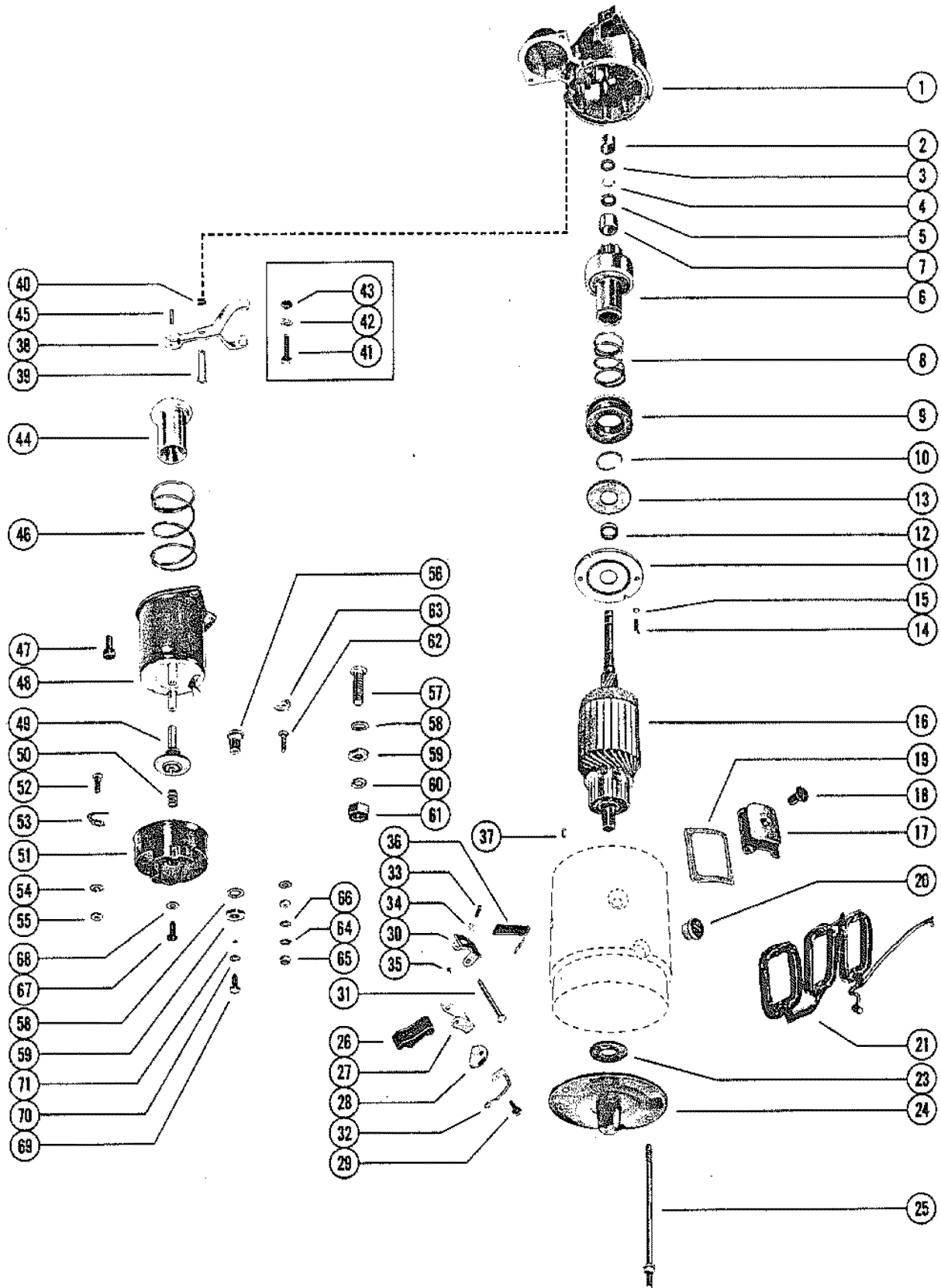
STARTER MOTOR ASSEMBLY, COMPLETE (B-50-77328A1)



STARTER MOTOR ASSEMBLY, COMPLETE (B-50-77328A1)

REF. NO.	PART NO.	SYM.	QTY.	DESCRIPTION
56	16-33299		1,1,1,1,1	STUD, MOTOR TERMINAL (3/8-16)
57	16-45536		1,1,1,1,1	STUD, BATTERY TERMINAL (3/8-16)
58	12-33289		2,2,2,2,2	WASHER, BATTERY AND MOTOR TERMINAL STUD (3/8") 2
59	11-32219		2,2,2,2,2	NUT, BATTERY AND MOTOR TERMINAL STUD 3/8-16) 2
60	13-37459		1,1,1,1,1	LOCKWASHER, BATTERY TERMINAL STUD (3/8")
61	11-32219		1,1,1,1,1	NUT, BATTERY TERMINAL STUD (3/8-16)
62	16-33262		1,1,1,1,1	STUD, SWITCH TERMINAL (8-32)
63	54-33307		1,1,1,1,1	CLIP, SWITCH TERMINAL STUD
64	12-33279		2,2,2,2,2	WASHER, PLASTIC - SWITCH TERMINAL STUD (#8)
65	11-21923		2,2,2,2,2	NUT, SWITCH TERMINAL STUD (8-32)
66	13-26995		1,1,1,1,1	LOCKWASHER, SWITCH TERMINAL STUD (#8)
67	10-33248		2,2,2,2,2	SCREW, COVER TO SOLENOID SWITCH (7/16")
68	12-33279		2,2,2,2,2	WASHER, PLASTIC - COVER SCREW
69	10-48266		1,1,1,1,1	SCREW, FIELD COIL LEAD TO SOLENOID SWITCH (7/16")
	10-45546		1,1,1,1,1	SCREW, FIELD COIL LEAD TO SOLENOID SWITCH (1)
70	13-26995		1,1,1,1,1	LOCKWASHER, FIELD COIL LEAD SCREW
71	N.S.S.		1,1,1,1,1	CONNECTOR, FIELD COIL LEAD SCREW (DELCOR REMY #1963519)

STARTER MOTOR ASSEMBLY, COMPLETE (B-50-76965A3)

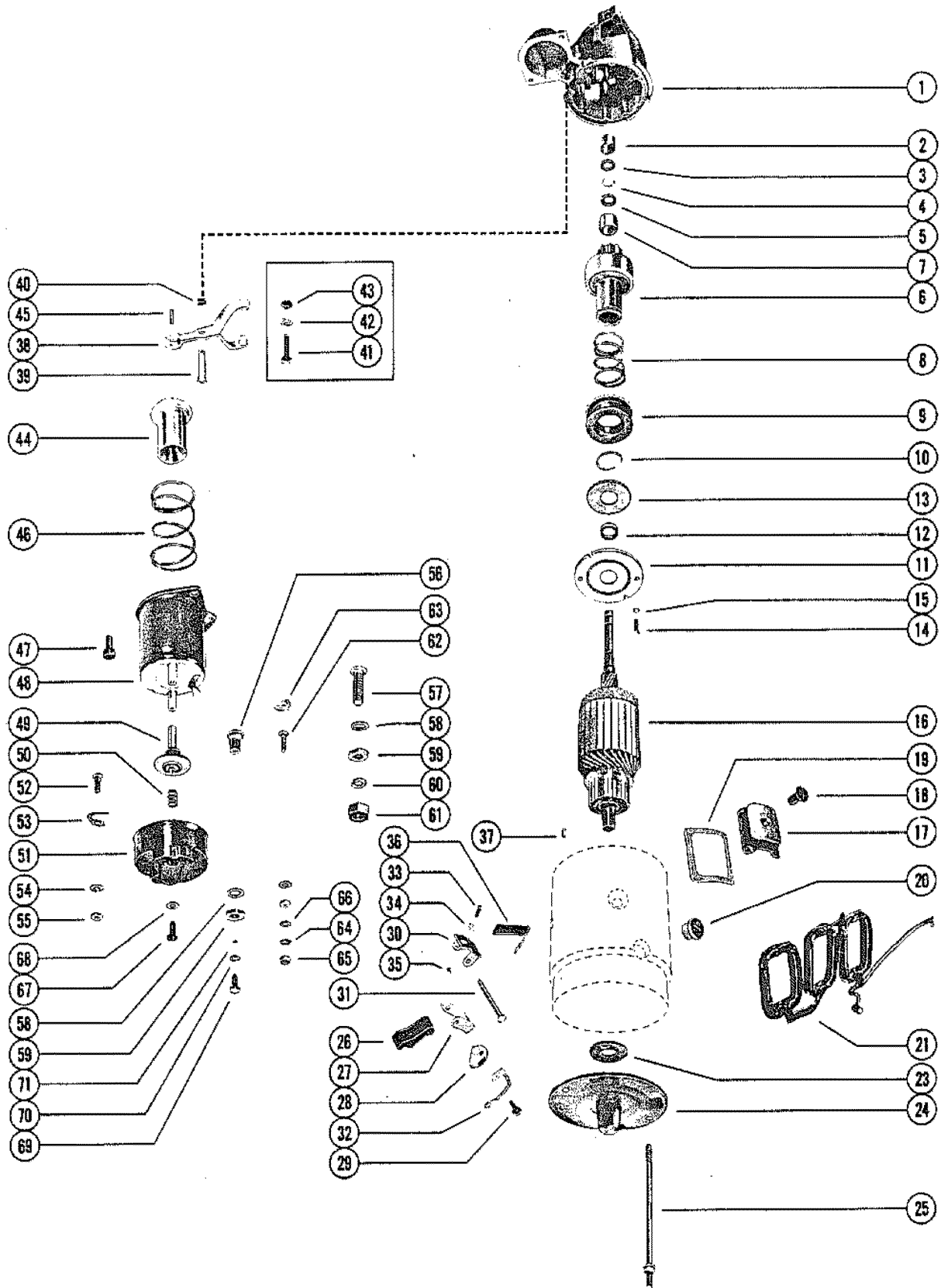


STARTER MOTOR ASSEMBLY, COMPLETE (B-50-76965A3)

REF. NO.	PART NO.	SYM.	QTY.	DESCRIPTION
-	50-76965A3		1,,	STARTER MOTOR ASSEMBLY, COMPLETE
-	50-79604A3		,1,,	STARTER MOTOR ASSEMBLY, COMPLETE
-	50-79822A2		,,,1	STARTER MOTOR ASSEMBLY, COMPLETE
-	50-79821A2		,,,1	STARTER MOTOR ASSEMBLY, COMPLETE
1	79206		1,1,,	HOUSING, DRIVE END
	71696		,,1,1	HOUSING, DRIVE END
2	23-33369		1,1,1,1	BUSHING, DRIVE END HOUSING
3	33292		1,1,1,1	COLLAR, THRUST - DRIVE END HOUSING
4	53-33290		1,1,1,1	RING, RETAINING - PINION STOP COLLAR
5	33291		1,1,1,1	COLLAR, PINION STOP - DRIVE END HOUSING
6	68608		1,,	DRIVE ASSEMBLY, CLUTCH - ARMATURE
	68609		,1,,	DRIVE ASSEMBLY, CLUTCH - ARMATURE
	79205		,,1,1	DRIVE ASSEMBLY, CLUTCH - ARMATURE
7	23-33369		1,1,1,1	BUSHING, GEAR END - CLUTCH DRIVE (1 9/16")
8	24-33368		1,1,1,1	SPRING, CLUTCH DRIVE
9	N.S.S.		1,1,1,1	COLLAR, CLUTCH DRIVE (DELCO REMY #1904443)
10	33367		1,1,1,1	LOCKWIRE, COLLAR AND SPRING RETAINING
11	79396		1,1,,1	PLATE, BEARING
	N.S.S.		,,1,1	PLATE, BEARING (DELCO REMY #1956939)
12	23-71694		1,1,1,1	BUSHING, BEARING PLATE
13	12-68614		1,1,1,1	WASHER, BEARING PLATE
14	10-75659		2,2,,2	SCREW, BEARING PLATE ATTACHING
	10-79209		,,2,2	SCREW, BEARING PLATE ATTACHING
15	13-26996		2,2,2,2	LOCKWASHER, BEARING PLATE SCREW
16	75665		,,1,	ARMATURE
	68606		1,,	ARMATURE
	68607		,1,,	ARMATURE
	71693		,,,1	ARMATURE
17	N.S.S.		4,4,4,	SHOE, POLE - FIELD COIL (DELCO REMY #810601)
	N.S.S.		,,,4	SHOE, POLE - FIELD COIL (DELCO REMY #1931129)
18	N.S.S.		4,4,4,4	SCREW, POLE SHOE T FIELD COIL (DELCO REMY #1968396)
19	33293		,,,4	INSULATION, FIELD COIL
20	25-68619		1,1,1,	GROMMET, FIELD COIL - FIELD FRAME
	25-79208		,,1,1	GROMMET, FIELD COIL - FIELD FRAME
21	75664		,1,1,	FIELD COIL ASSEMBLY
	48272		1,,	FIELD COIL ASSEMBLY
	79212		,,,1	FIELD COIL ASSEMBLY
23	12-33258		,,1,1	WASHER, LEATHER - COMMUTATOR END FRAME
24	33295		1,1,,1	FRAME, COMMUTATOR END - LOWER
	79211		,,1,1	FRAME, COMMUTATOR END - LOWER
25	10-33296		,,1,1	BOLT, THRU - COMMUTATOR END TO DRIVE END HOUSING

CONTINUED ON NEXT PAGE ➡

STARTER MOTOR ASSEMBLY, COMPLETE (B-50-76965A3)

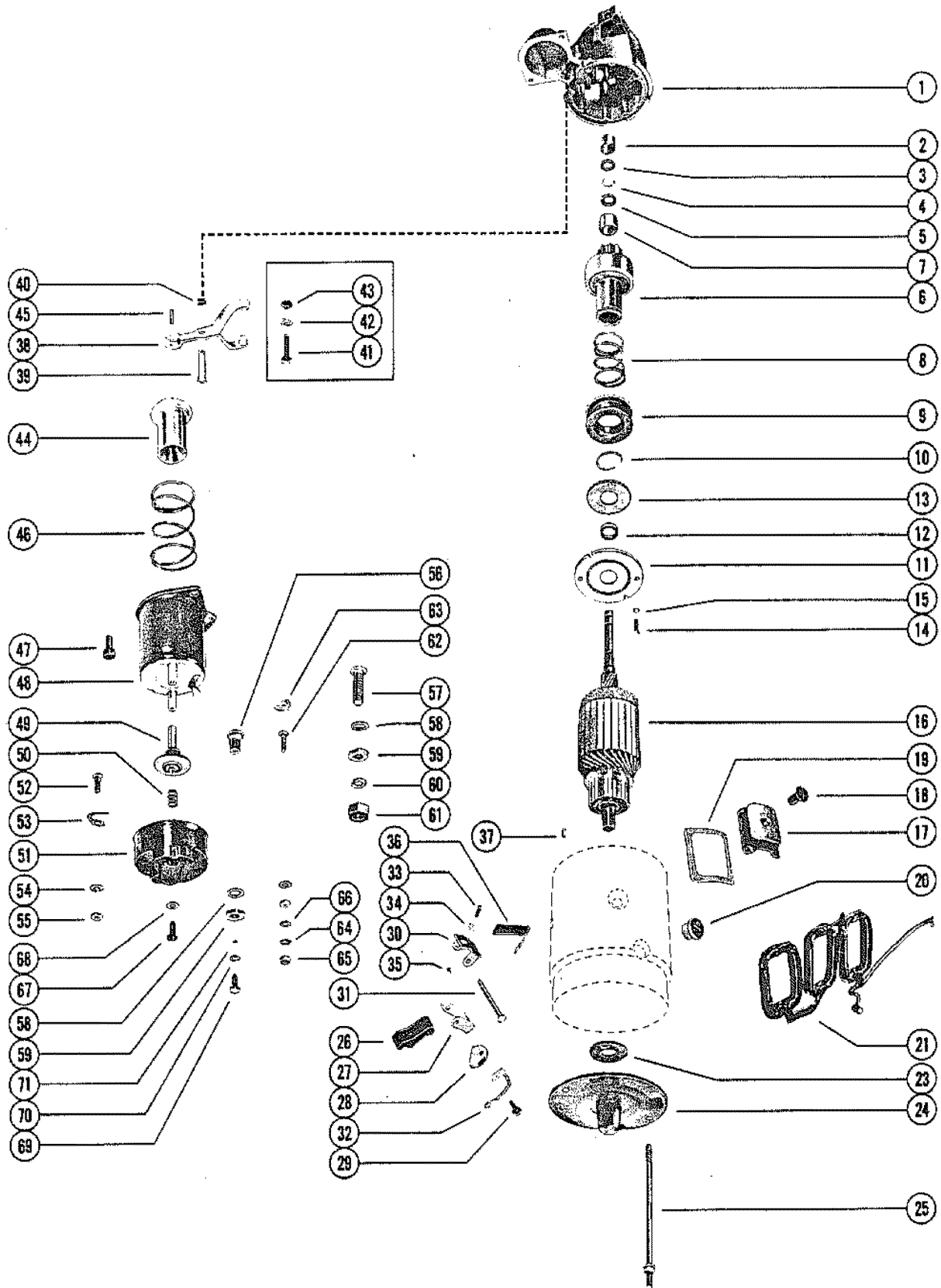


STARTER MOTOR ASSEMBLY, COMPLETE (B-50-76965A3)

REF. NO.	PART NO.	SYM.	QTY.	DESCRIPTION
25	10-33286		2,2,,2	BOLT, THRU - COMMUTATOR END TO DRIVE END HOUSING
	10-33286		,,1,1	BOLT, THRU - COMMUTATOR END TO DRIVE END HOUSING
26	33284		2,2,2,2	HOLDER, INSULATED - FIELD FRAME BRUSH
27	33283		2,2,2,2	HOLDER, FIELD FRAME BRUSH GROUND
28	33270		4,4,4,4	BRUSH, FIELD FRAME
29	10-52904		2,2,2,2	SCREW, BRUSH LEAD TO FIELD FRAME BRUSH (8-18 X 5/8")
	10-60685		2,2,2,2	SCREW, BRUSH LEAD TO FIELD FRAME BRUSH
30	33294		2,2,2,2	SUPPORT PACKAGE, GROUND AND INSULATED HOLDERS
31	17-33280		2,2,2,2	PIN, GROUND AND INSULATED HOLDER TO SUPPORT
32	60686		2,2,2,2	LEAD, FIELD FRAME BRUSH
33	N.S.S.		4,4,4,4	SCREW, SUPPORT TO FIELD FRAME (DELCO REMY #274738)
34	13-26996		4,4,4,4	LOCKWASHER, SUPPORT SCREW
35	11-30968		4,4,4,4	NUT, SUPPORT SCREW
36	24-33285		4,4,4,4	SPRING, FIELD FRAME BRUSH
37	17-33257		1,1,1,1	PIN, DOWEL - FIELD FRAME TO DRIVE END HOUSING
-	50-76965A3		1,,,	STARTER MOTOR ASSEMBLY, COMPLETE
-	50-79604A3		,1,,	STARTER MOTOR ASSEMBLY, COMPLETE
-	50-79822A2		,,1,	STARTER MOTOR ASSEMBLY, COMPLETE
-	50-79821A2		,,,1	STARTER MOTOR ASSEMBLY, COMPLETE
38	71698		,,,1	LEVER, SHIFT
39	33310		,,,1	SHAFT, SHIFT LEVER TO DRIVE END HOUSING
40	53-33354		1,,1,1	RING, RETAINING - SHIFT LEVER SHAFT
38	33297		1,1,1,1	LEVER, SHIFT
41	N.S.S.		1,1,1,1	STUD, SHIFT LEVER TO DRIVE END HOUSING
42	12-68615		1,1,1,1	WASHER, SHIFT LEVER STUD
43	11-26484		1,1,1,1	NUT, SHIFT LEVER STUD
44	33317		1,1,1,1	PLUNGER, SHIFT LEVER - SOLENOID SWITCH
45	17-79207		1,1,1,1	PIN, PLUNGER TO SHIFT LEVER
46	24-46889		1,1,1,1	SPRING, PLUNGER RETURN - SOLENOID SWITCH
47	10-28713		2,2,,2	SCREW, SOLENOID SWITCH TO DRIVE END HOUSING
	10-24963		,,2,2	SCREW, SOLENOID SWITCH TO DRIVE END HOUSING
48	33261		1,1,1,	SOLENOID SWITCH ASSEMBLY
	89902		,,,1	SOLENOID SWITCH ASSEMBLY
49	33316		1,1,1,	CONTACT AND PUSH ROD ASSEMBLY
50	24-33265		1,1,1,	SPRING, CONTACT AND PUSH ROD TENSION
51	45537		1,1,1,	COVER, SOLENOID SWITCH
52	16-33304		1,1,1,	STUD, RESISTOR TERMINAL (10-32)
53	33305		1,1,1,	CONTACT, RESISTOR TERMINAL STUD
54	13-26996		1,1,1,	LOCKWASHER, RESISTOR TERMINAL STUD (#10)
55	11-68219		1,1,1,	NUT, RESISTOR TERMINAL STUD (10-32)

CONTINUED ON NEXT PAGE ➡

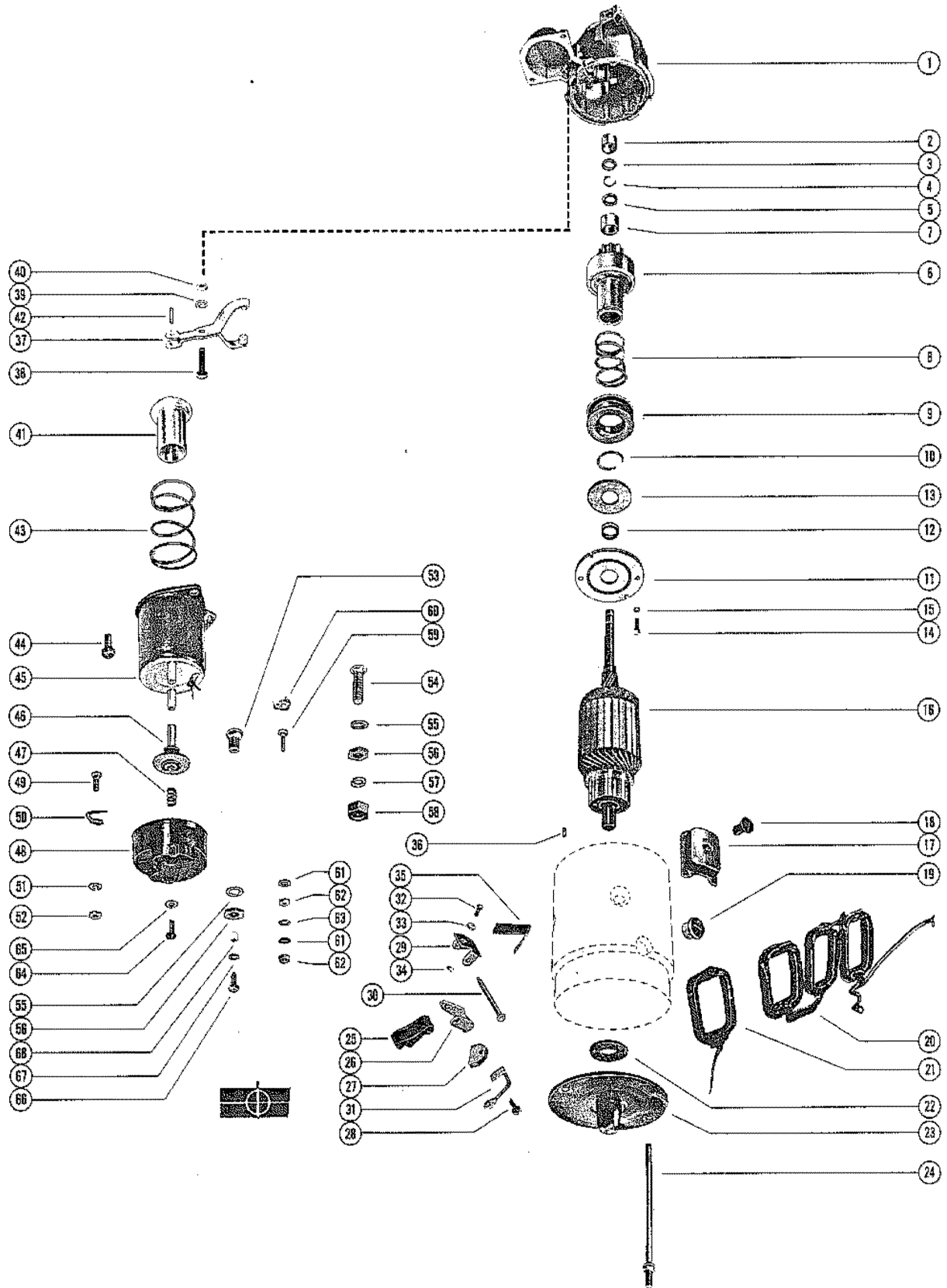
STARTER MOTOR ASSEMBLY, COMPLETE (B-50-76965A3)



STARTER MOTOR ASSEMBLY, COMPLETE (B-50-76965A3)

REF. NO.	PART NO.	SYM.	QTY.	DESCRIPTION
56	16-33299		1,1,1,	STUD, MOTOR TERMINAL (3/8-16)
57	16-45536		1,1,1,	STUD, BATTERY TERMINAL (3/8-16)
58	12-33289		2,2,2,	WASHER, BATTERY AND MOTOR TERMINAL STUD (3/8")
59	11-32219		2,2,2,	NUT, BATTERY AND MOTOR TERMINAL STUD (3/8-16)
60	13-37459		1,1,1,	LOCKWASHER, BATTERY TERMINAL STUD (3/8")
61	11-32219		1,1,1,	NUT, BATTERY TERMINAL STUD (3/8-16)
62	16-33262		1,1,1,	STUD, SWITCH TERMINAL (8-32)
63	54-33307		1,1,1,	CLIP, SWITCH TERMINAL STUD
64	12-33279		2,2,2,	WASHER, PLASTIC - SWITCH TERMINAL STUD (#8)
65	11-21923		2,2,2,	NUT, SWITCH TERMINAL STUD (8-32)
66	13-26995		1,1,1,	LOCKWASHER, SWITCH TERMINAL STUD (#8)
67	10-33248		2,2,2,	SCREW, COVER TO SOLENOID SWITCH (7/16")
68	12-33279		2,2,2,	WASHER, PLASTIC - COVER SCREW
69	10-48266		1,1,1,	SCREW, FIELD COIL TO SOLENOID SWITCH (7/16")
	10-45546		1,1,1,	SCREW, FIELD COIL LEAD TO SOLENOID SWITCH 91")
70	13-26995		1,1,1,	LOCKWASHER, FIELD COIL LEAD SCREW
71	N.S.S.		1,1,1,	CONNECTOR, FIELD COIL LEAD SCREW (DELCO REMY #1963519)

STARTER MOTOR ASSEMBLY, COMPLETE (B-50-65784A1)

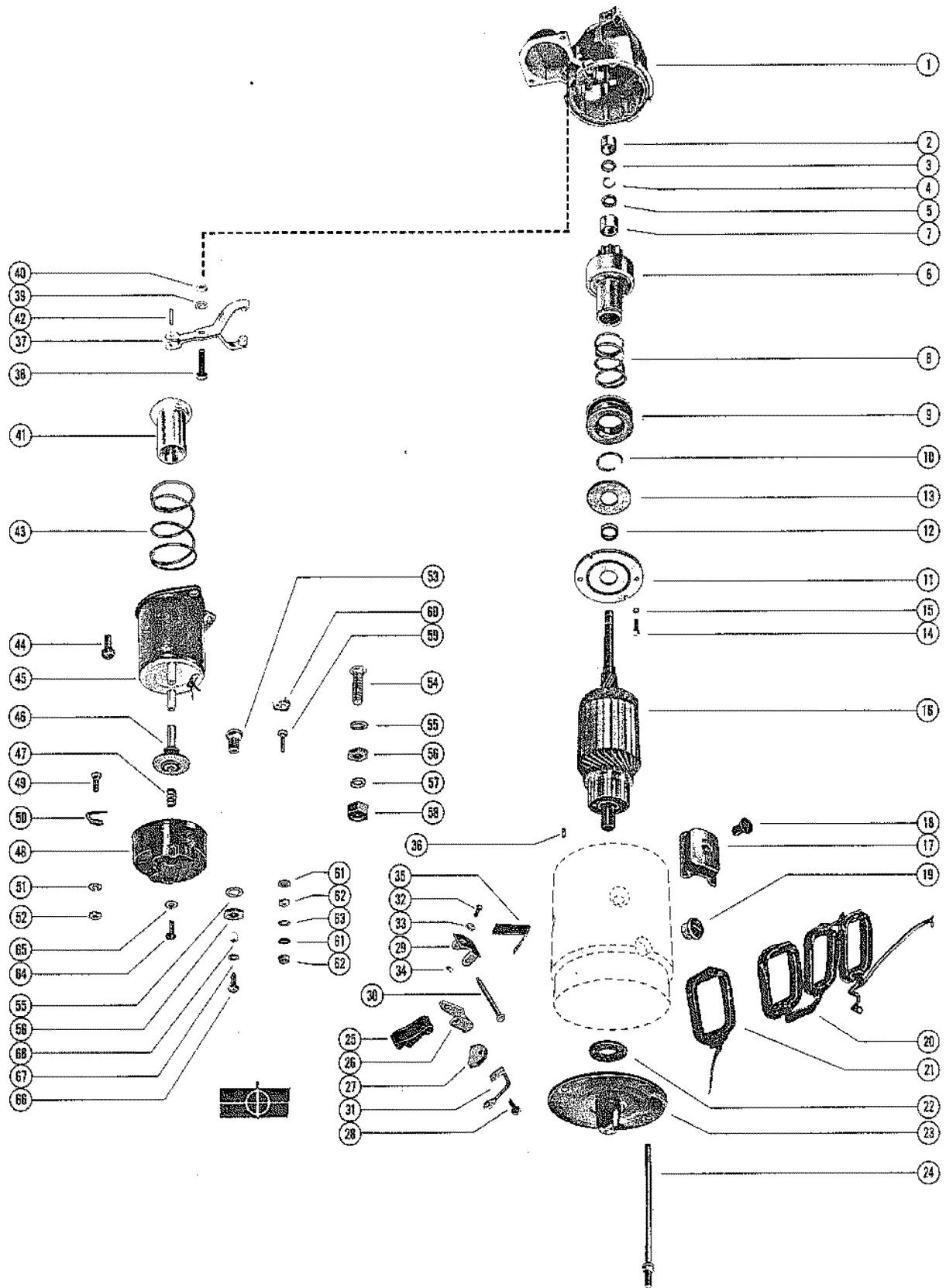


STARTER MOTOR ASSEMBLY, COMPLETE (B-50-65784A1)

REF. NO.	PART NO.	SYM.	QTY.	DESCRIPTION
-	50-65784A1		1,	STARTER MOTOR ASSEMBLY,COMPLETE
-	50-65785A1		,1	STARTER MOTOR ASSEMBLY,COMPLETE
1	68610		1,1	HOUSING, DRIVE END
2	23-33278		1,1	BUSHING, DRIVE END HOUSING (1 11/16")
3	33292		1,1	COLLAR, THRUST-DRIVE END HOUSING
4	53-33290		1,1	RING, RETAINING-PINION STOP COLLAR
5	33291		1,1	OCOLLAR, PINION STOP-DRIVE END HOUSING
6	68608		1,	DRIVE ASSEMBLY, CLUTCH-ARMATURE
	68609		,1	DRIVE ASSEMBLY, CLUTCH-ARMATURE
7	23-33369		1,1	BUSHING, GEAR END-CLUTCH DRIVE (1 1/16")
8	24-33368		1,1	SPRING, CLUTCH DRIVE
9	N.S.S.		1,1	COOLLAR, CLUTCH DRIVE (DELCO REMY #1904443)
10	33367		1,1	LOCKWIRE, COLLAR AND SPRING RETAINING
11	68620		1,1	PLATE, BEARING
12	23-68616		1,1	BUSHING, BEARING PLATE
13	12-68614		1,1	WASHER, BEARING PLATE
14	10-68612		2,2	SCREW, BEARING PLATE ATTACHING
15	13-68611		2,2	LOCKWASHER, BEARING PLATE SCREW
16	68606		1,	ARMATURE
	68607		,1	ARMATURE
17	48263		4,4	SHOE, POLE-FIELD COIL
18	10-45533		4,4	SCREW, POLE SHOE TO FIELD COIL
19	25-68618		OPT,OPT	GROMMET, FIELD COIL-FIELD FRAME (RECTANGLE)
	25-68619		OPT,OPT	GROMMET, FIELD COIL-FIELD FRAME (ROUND)
20	68598		1,	FIELD COIL ASSEMBLY
	68599		,1	FIELD COIL ASSEMBLY
21	68605		1,1	COIL, SHUNT-FIELD COIL
22	12-68613		1,1	WASHER, LEATHER -COMMUTATOR END FRAME
23	33295		1,1	FRAME, COMMUTATOR END-LOWER
24	10-33286		2,2	BOLT, THRU-COMMUTATOR END TO DRIVE END HOUSING
25	33284		2,2	HOLDER, INSULATOR-FIELD FRAME BRUSH
26	33283		2,2	HOLDER, FIELD FRAME BRUSH GROUND
27	33270		4,4	BRUSH, FIELD FRAME
28	10-46888		2,2	SCREW, BRUSH LEAD TO FIELD FRAME BRUSH (8-18X5/8)
	10-60685		2,2	SCREW, BRUSH LEAD TO FIELD FRAME BRUSH
29	33294		2,2	SUPPORT PACKAGE, GROUND AND INSULATED HOLDERS
30	17-45535		1,1	PIN, GROUND AND INSULATED HOLDER TO SUPPORT
31	60686		2,2	LEAD, FIELD FRAME BRUSH
32	10-33250		4,4	SCREW, SUPPORT TO FIELD FRAME
33	13-26996		4,4	LOCKWASHER, SUPPORT SCREW
34	11-30968		4,4	NUT, SUPPORT SCREW
35	24-33285		2,2	SPRING, FIELD FRAME BRUSH
36	17-33257		1,1	PIN, DOWEL-FIELD FRAME TO DRIVE END HOUSING

CONTINUED ON NEXT PAGE ➡

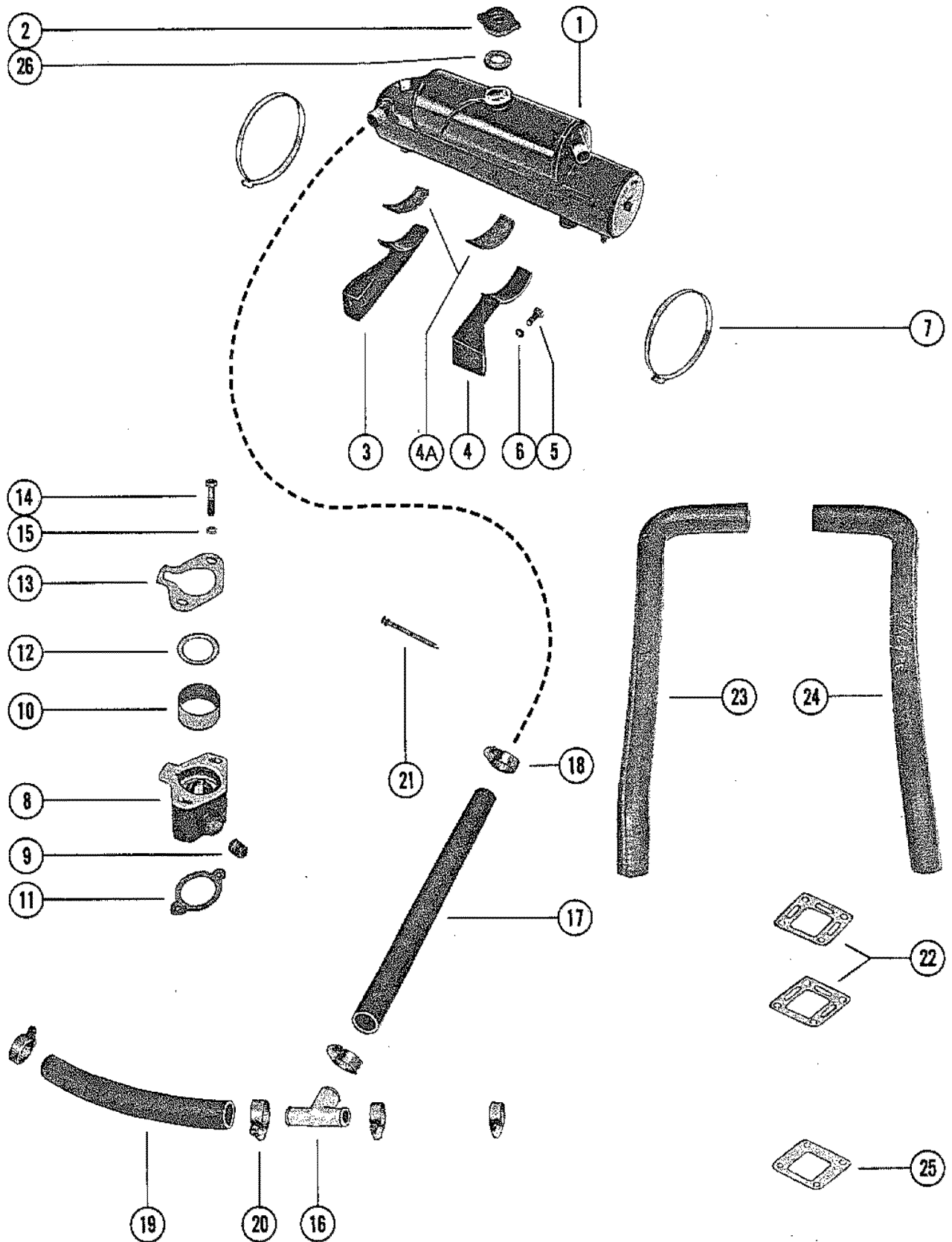
STARTER MOTOR ASSEMBLY, COMPLETE (B-50-65784A1)



STARTER MOTOR ASSEMBLY, COMPLETE (B-50-65784A1)

REF. NO.	PART NO.	SYM.	QTY.	DESCRIPTION
37	33297		1,1	LEVER, SHIFT-DRIVE END HOUSING
38	16-48268		1,1	STUD, SHIFT LEVER TO DRIVE END HOUSING
39	12-68615		1,1	WASHER, SHIFT LEVER SCREW
40	11-26484		1,1	NUT, SHIFT LEVER SCREW
41	33317		1,1	PLUNGER, SHIFT LEVER-SOLENOID SWITCH
42	17-24198		1,1	PIN, PLUNGER TO SHIFT LEVER
43	24-46889		1,1	SPRING, PLUNGER RETURN-SOLENOID SWITCH
44	10-28713		2,2	SCREW, SOLENOID SWITCH TO DRIVE END HOUSING
45	33261		1,1	SOLENOID SWITCH ASSEMBLY
46	33316		1,1	CONTACT AND PUSH ROD ASSEMBLY
47	24-33265		1,1	SPRING, CONTACT AND PUSH ROD TENSION
48	N.S.S.		1,1	COVER, SOLENOID SWITCH (DELCO REMY #1963525)
49	16-33304		1,1	STUD, RESISTOR TERMINAL (10-32)
50	33305		1,1	CONTACT, RESISTOR TERMINAL STUD
51	13-33253		1,1	LOCKWASHER, RESISTOR TERMINAL STUD (#10)
52	11-68219		1,1	NUT, RESISTOR TERMINAL STUD (10-32)
53	16-33299		1,1	STUD, MOTOR TERMINAL (3/8-16)
54	16-45536		1,1	STUD BATTERY TERMINAL (3/8-16)
55	12-33289		2,2	WASHER, BATTERY AND MOTOR TERMINAL STUD (3/8)
56	11-32219		2,2	NUT, BATTERY AND MOTOR TERMINAL STUD (3/8-16)
57	13-37459		1,1	LOCKWASHER, BATTERY TERMINAL STUD (3/8)
58	11-32219		1,1	NUT, BATTERY TERMINAL STUD (3/8-16)
59	16-33262		1,1	STUD, SWITCH TERMINAL (8-32)
60	54-33307		1,1	CLIP, SWITCH TERMINAL STUD
61	12-33279		2,2	WASHER, PLASTIC - SWITCH TERMINAL STUD (#8)
62	11-21923		2,2	NUT, SWITCH TERMINAL STUD (8-32)
63	13-26995		1,1	LOCKWASHER, SWITCH TERMINAL STUD (#8)
64	10-33248		2,2	SCREW, COVER TO SOLENOID SWITCH (7/16")
65	12-33279		2,2	WASHER, PLASTIC - COVER SCREW
66	10-48266		1,1	SCREW, FIELD COIL LEAD TO SOLENOID SWITCH (7/16")
	10-45546		1,1	SCREW, FIELD COIL LEAD TO SOLENOID SWITCH (1")
67	13-26995		1,1	LOCKWASHER, FIELD COIL LEAD SCREW
68	N.S.S.		1,1	CONNECTOR, FIELD COIL LEAD SCREW (DELCO REMY#1963519)

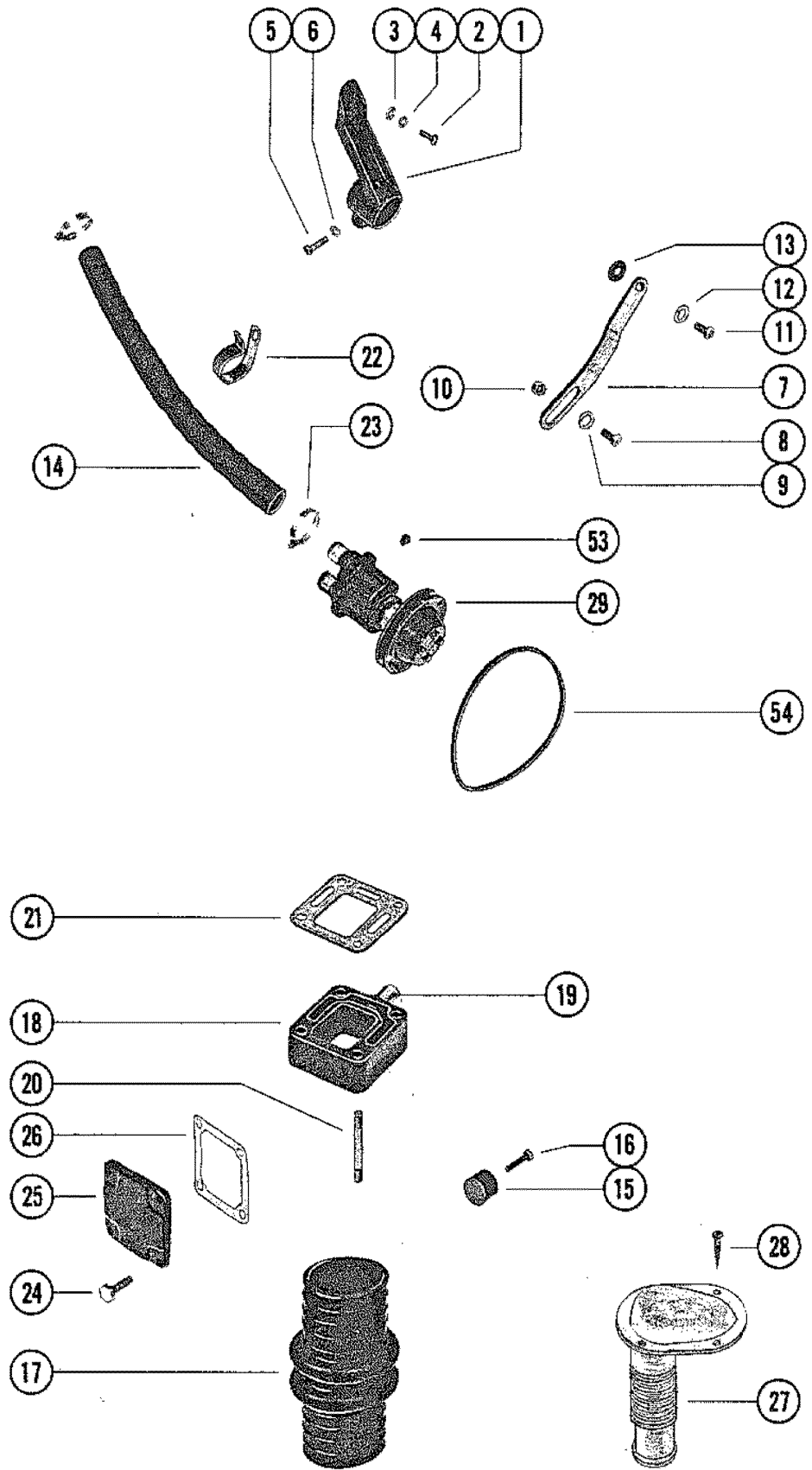
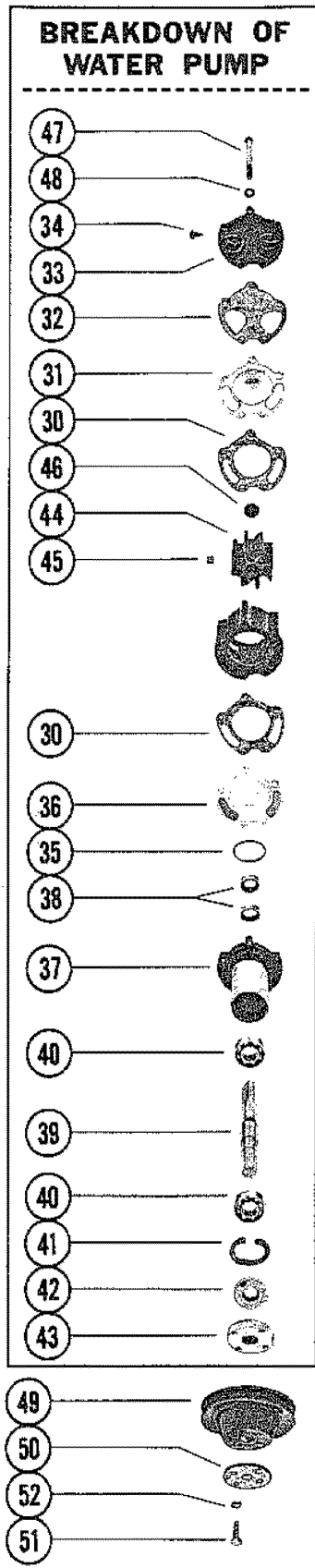
FRESH WATER COOLING KIT



FRESH WATER COOLING KIT

REF. NO.	PART NO.	SYM.	QTY.	DESCRIPTION
1	74643A1		1	FRESH WATER COOLING KIT
2	36-55143		1	CAP, PRESSURE - HEAT EXCHANGER
3	74633A1		1	BRACKET, MOUNTING (PORT)
4	74632A1		1	BRACKET, MOUNTING (STARBOARD)
4A	67467		2	PAD, MOUNTING BRACKET
5	10-34353		2	SCREW, STARBOARD MOUNTING BRACKET TO ENGINE (1#)
6	13-35048		2	LOCKWASHER, STARBOARD MOUNTING BRACKET SCREWS
7	54-31765		2	CLAMP, HEAT EXCHANGER TO MOUNTING BRACKETS
8	55132		1	THERMOSTAT HOUSING
9	22-47540		2	PLUG, PIPE - THERMOSTAT HOUSING
10	23-47508		1	SLEEVE, THERMOSTAT HOUSING
11	27-53045		1	GASKET, THERMOSTAT HOUSING TO MANIFOLED
12	27-47510		1	GASKET THERMOSTAT - MIDDLE
13	27-48818		1	GASKET, THERMOSTAT HOUSING - UPPER
14	10-48115		2	SCREW, THERMOSTAT HOUSING AND COVER TO INTAKE MANIFOLD (3 1
15	13-37459		2	LOCKWASHER, THERMOSTAT HOUSING AND COVER SCREW
16	22-63067		1	TEE, FITTING
17	32-62010		1	HOSE, HEAT EXCHANGER TO TEE (23 1/2")
18	54-32780		2	CLAMP, HOSE TO HEAT EXCHANGER AND TEE
19	32-55483		1	HOSE, TEE TO EXHAUST ELBOW (18 1/2")
20	54-32780		4	CLAMP, HOSE TO TEE AND EXHAUST MANIFOLD
21	61990		1	STA-STRAP
22	27-48042		4	GASKET, FACE PLATE TO EXHAUST ELBOW AND MANIFOLD
23	32-57777		1	HOSE, THERMOSTAT HOUSING TO MANIFOLD (PORT)
24	32-57776		1	HOSE, THERMOSTAT HOUSING TO MANIFOLD (STARBOARD)
25	74829		2	PLATE, EXHAUST MANIFOLD TO EXHAUST ELBOW
26	27-71614		1	GASKET, PRESSURE CAP
-	71587A2		1	COOLANT RECOVERY KIT(SEE NOTE #1 BELOW)

FRESH WATER COOLING INSTALLATION KIT

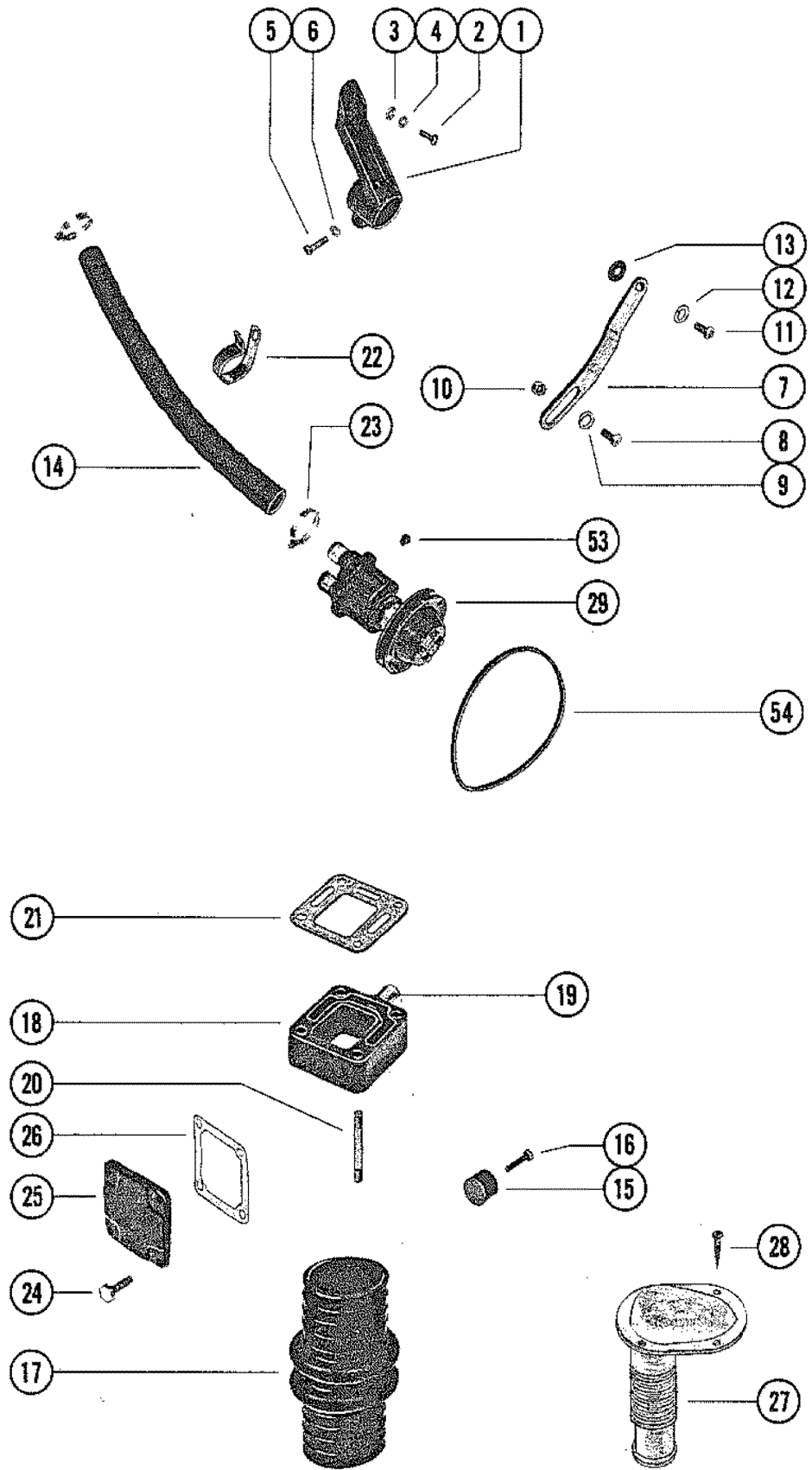
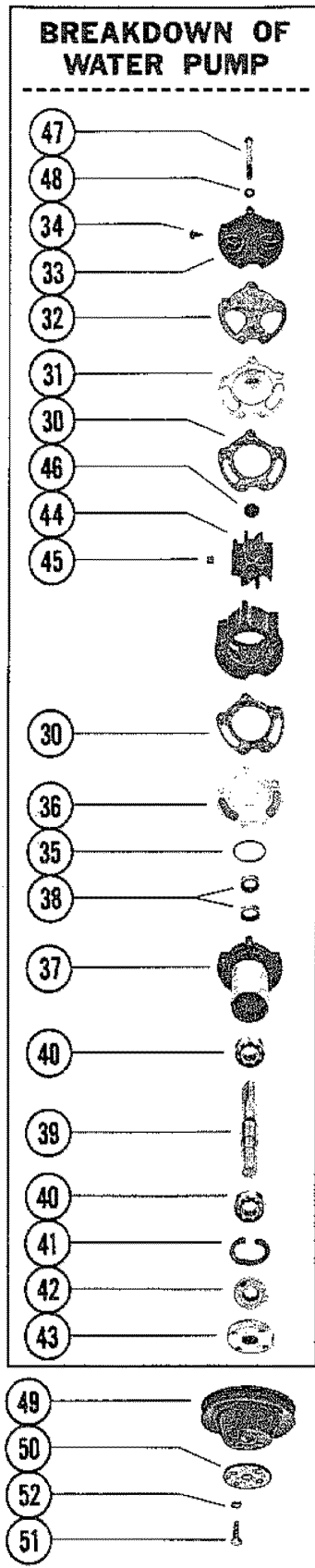


FRESH WATER COOLING INSTALLATION KIT

REF. NO.	PART NO.	SYM.	QTY.	DESCRIPTION
-	77518A1		1	INSTALLATION KIT, FRESH WATER COOLING
1	47488		1	BRACKET, WATER PUMP
2	10-34353		2	SCREW, WATER PUMP BRACKET TO ENGINE (1")
3	12-20553		1	WASHER, WATER PUMP BRACKET SCREW
4	13-35048		2	LOCKWASHER, WATER PUPMP BRACKET SCREW
5	10-34354		1	SCREW, CLAMPING - WATER PUMP BRACKET (1 1/2")
6	13-35048		1	LOCKWASHER, WATER PUMP BRACKET SCREW
7	71648		1	BRACE, WATER PUMP
8	10-35786		1	SCREW, WATER PUMP BRACE TO WATER PUMP BRACKET (1")
9	13-37459		1	LOCKWASHER, WATER PUMP BRACE TO BRACKET SCREW
10	11-24883		1	NUT, WATER PUMP BRACE TO BRACKET SCREW
11	10-37612		1	SCREW, BRACE TO ENGINE (1 1/4")
12	13-35048		1	LOCKWASHER
13	23-72057		1	SPACER
14	32-49044		1	HOSE, WATER PUMP TO THERMOSTAT HOUSING
15	32877		1	COVER, WATER STOP - GIMBAL HOUSING
16	10-53556		2	SCREW, WATER STOP COVER PLATE TO GIMBAL HOUSING (1")
17	72408		2	BELLOWS, EXHAUST ELBOW
18	61937A1		2	WATER DISTRIBUTION HOUSING ASSEMBLY
19	23-52020		2	SLEEVE, WATER DISTRIBUTION HOUSING
20	16-52988		8	STUD, EXHAUST MANIFOLD TO EXHAUST ELBOW (3 1/2")
21	27-52076		4	GASKET, EXHAUST MANIFOLE TO EXHAUST ELBOW
22	54-47715		1	CLIP, HOSE ATTACHING
23	54-32780		2	CLAMP, HOSE TO WATER PUMP AND THEMOSTAT HOUSING
24	10-25299		8	SCREW, END CAP ATTACHING (3/4")
25	73813A1		2	END CAP, EXHAUST MANIFOLD - REAR
26	27-73814		2	GASKET, END CAP TO XHAUST MANIFOLD
27	68670A2		1	THRU HULL WATER INTAKE ASSEMBLY
28	10-68864		4	SCREW, WATER INTAKE ATTACHING
-	92-38927--1		1	LOCTITE, CAPSULE - WATER INTAKE TO TRANSOM SCREWS
29	46-72774A11		1	WATER PUMP ASSEMBLY
30	27-72780		2	GASKET, WATER PUMP BODY TO WEAR PLATE
31	72777		1	WEAR PLATE
32	27-72779		1	GASKET, COVER TO OUTER WEAR PLATE
33	72776		1	COVER, WATER PUMP
34	10-28642		4	SCREW, WATER PUMP DRIVE (1/4")
35	25-37340		1	"O" RING, PUMP HOUSING TO INNER WEAR PLATE
36	72778		1	WEAR PLATE
37	46-71497A2		1	PUMP HOUSING
38	26-23300		2	OIL SEAL, WATER PUMP SHAFT
39	59501		1	SHAFT, WATER PUMP

CONTINUED ON NEXT PAGE ➡

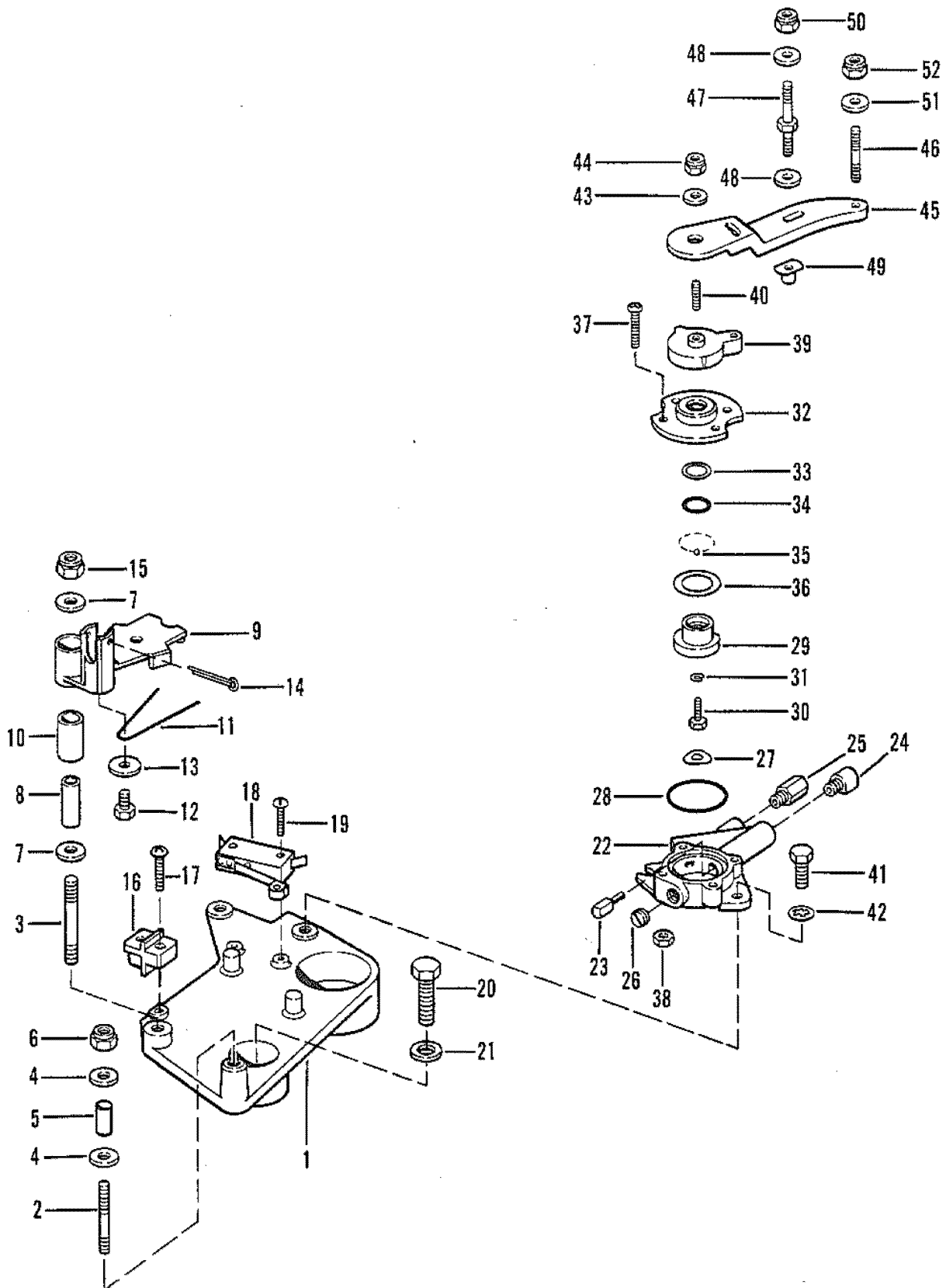
FRESH WATER COOLING INSTALLATION KIT



FRESH WATER COOLING INSTALLATION KIT

REF. NO.	PART NO.	SYM.	QTY.	DESCRIPTION
40	30-72961		2	BEARING, WATER PUMP SHAFT
41	53-23720		1	RING, SNAP - BALL BEARING RETAINING
42	26-72785		1	OIL SEAL, WATER PUMP SHAFT
43	47530		1	HUB, WATER PUMP PULLERY
44	47-59362A1		1	IMPELLER ASSEMBLY
45	28-56662		1	KEY, IMPELLER DRIVE
46	19-59504		1	PLUG, IMPELLER
47	10-63328		5	SCREW, COVER TO BODY (3")
48	12-20084		5	WASHER. COVER TO BODY SCREW
49	73798		1	PULLEY, WATER PUMP
50	58265		1	CLAMPING RING, PUMP PULLEY
51	10-47277		4	SCREW, PULLEY TO WATER PUMP
52	13-39107		4	LOCKWASHER, WATER PUMP PULLEY SCREW
53	22-39072		1	PLUG, WATER PUMP BODY
54	57-74271		1	BELT, WATER PUMP

DRIVE SHAFT EXTENSION COMPONENTS

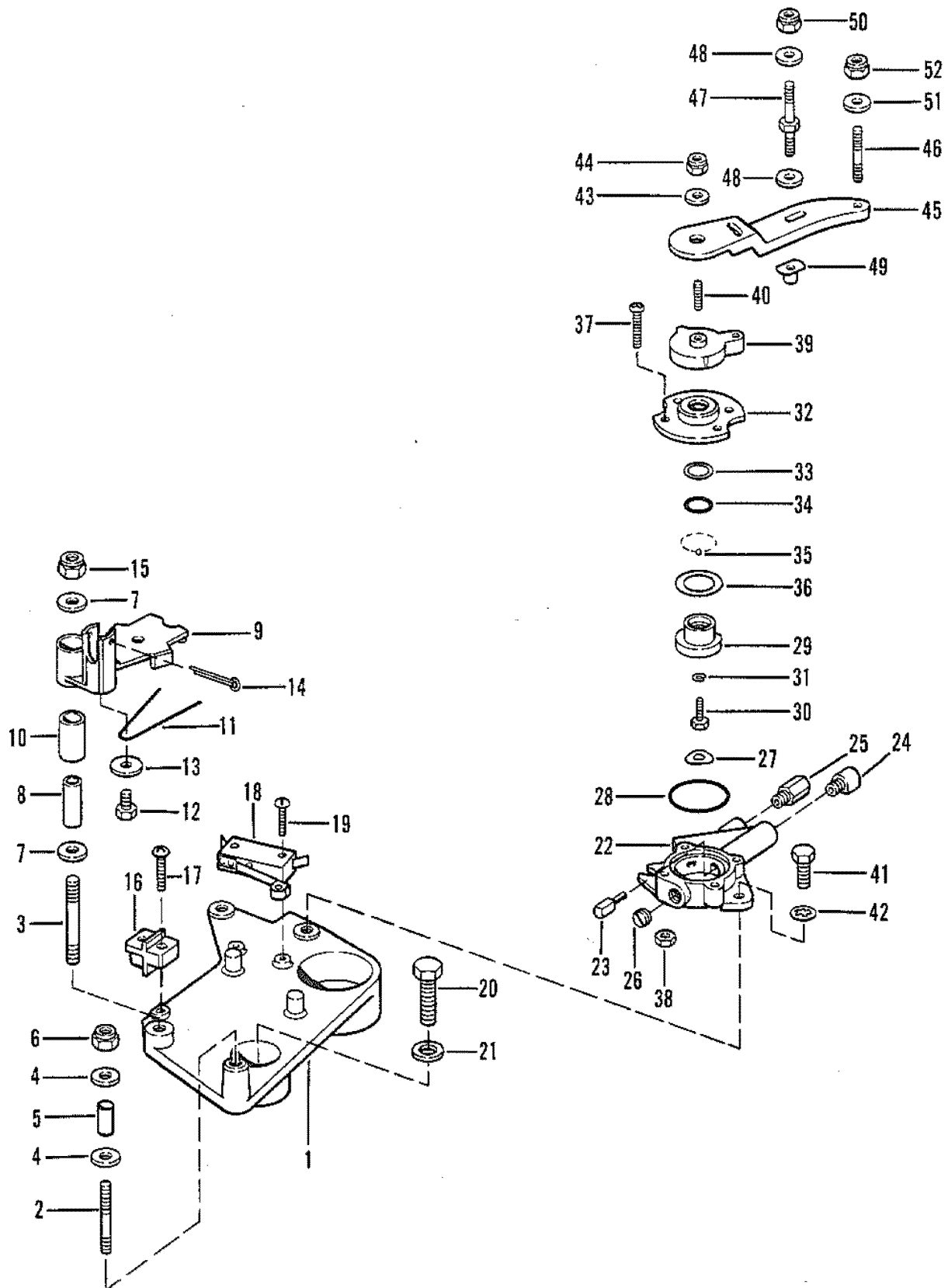


DRIVE SHAFT EXTENSION COMPONENTS

REF. NO.	PART NO.	SYM.	QTY.	DESCRIPTION
1	94612A3		1	SHIFT PLATE ASSEMBLY
2	16-79661		1	STUD, SHIFT CABLE
3	16-73563		1	SUUD, ACTUATING SWITCH
4	12-39143		2	WASHER, SHIFT CABLE STUD
5	23-31866		1	SPACER, SHIFT CABLE STUD
6	11-20361		1	NUT, SHIFT CABLE STUD
7	12-26825		2	WASHER, ACTUATING ARM STUD
8	23-37981		1	SPACER, ACTUATING ARM STUD
9	45517A2		1	ARM ASSEMBLY, SWITCH ACUTATING
10	23-45600		1	SLEEVE, SWITCH ACTUATING STUD
11	24-45599		1	SPRING, TENSION
12	10-33231		1	SCREW, TENSION SPRING
13	12-26825		1	WASHER, TENSION SPRING SCREW
14	18-32857		1	COTTER PIN, SHIFT CABLE
15	11-35814		1	NUT, ACTUATING ARM STUD
16	86-66986		1	TERMINAL BLOCK
17	10-24637		1	SCREW, TERMINAL BLOCK (7/8")
	10-45218		1	SCREW, TERMINAL BLOCK (3/8")
18	39670A28		1	SWITCH ASSEMBLY, ACTUATING
19	10-30902		2	SCREW, ACTUATING SWITCH
20	10-35047		1	SCREW, SHIFT PLATE
21	12-34931		1	WASHER, SHIFT PLATE SCREW
22	76812A4		1	REVERSE LOCK VALVE ASSEMBLY
23	45709		1	FOLLOWER, CAM
24	22-45794		1	ELBOW, REVERSE LOCK VALVE
25	22-49719		1	CONNECTOR, ELBOW
26	22-52644		1	PIPE PLUG, REVERSE LOCK VALVE
27	13-25906		1	WAVE WASHER, REVERSE LOCK VALVE
28	25-45710		1	"O" RING, REVERSE LOCK VALVE
29	45526		1	CAM, REVERSE LOCK VALVE
30	10-46736		1	SCREW, CAM TO CAM LEVER (1/2")
31	13-26996		1	LOCKWASHER, CAM SCREW
32	45528A2		1	COVER ASSEMBLY, REVERSE LOCK VALVE
33	12-59570		1	WASHER, REVERSE LOCK VALVE COVER
34	25-45711		1	"O" RING, VALVE COVER
35	30-45712		30	BALL, VALVE COVER
36	12-45713		1	WASHER, RETAINING - BALL TO VALVE COVER
37	10-45716		4	SCREW, COVER TO REVERSE LOCK VALVE
38	11-20110		4	NUT, COVER SCREW
39	46732A1		1	LEVER ASSEMBLY, CAM
40	16-45715		2	STUD, SHIFT CONTROL LEVER TO CAM LEVER (23/32")
41	10-25299		2	SCREW, REVERSE LOCK VLAVE (3/4")
42	13-21804		2	LOCKWASHER, REVERSE LOCK VALVE SCREW

CONTINUED ON NEXT PAGE ➡

DRIVE SHAFT EXTENSION COMPONENTS



DRIVE SHAFT EXTENSION COMPONENTS

REF. NO.	PART NO.	SYM.	QTY.	DESCRIPTION
43	12-21273		2	WASHER, CAM LEVER STUD
44	11-20110		2	NUT, SHIFT CONTROL LEVER TO CAM LEVER STUD
45	66397A1		1	MBLY, SHIFT CONTROL-CAM LEVER
46	16-63081		1	STUD, SHIFT CABLE TO LEVER
47	16-63335		1	STUD, SHIFT ACTUATING CABLE TO SHIFT CONTROL LEVER (2")
48	12-39143		2	WASHER, SHIFT ACTUATING CABLE STUD
49	11-63341		1	NUT, SHIFT ACTUATING CABLE TO SHIFT CONTROL LEVER
50	11-20361		1	NUT, SHIFT CABLE STUD
51	12-39143		1	WASHER, SHIFT CABLE STUD
52	11-20361		1	NUT, SHIFT ACTUATING LEVER

DRIVE SHAFT EXTENSION COMPONENTS (M0059-G8)

* * * * MISSING ILLUSTRATION * * * *

DRIVE SHAFT EXTENSION COMPONENTS (M0059-G8)

REF. NO.	PART NO.	SYM.	QTY.	DESCRIPTION
1	59825		1	EXHAUST SEPARATOR
2	10-37612		4	SCREW, EXHAUST SEPARATOR (1-1/4")
3	13-35048		4	LOCKWASHER, EXHAUST SEPARATOR SCREW
4	25-35029		2	"O" RING
5	60931		2	RETAINER, WATER SHUTTER
6	60930		2	WATER SHUTTER
7	94018A1		2	EXHAUST ELBOW ASSEMBLY
8	10-58640		6	SCREW, EXHAUST ELBOW TO SEPARATOR
9	13-58643		6	LOCKWASHER, EXHAUST ELBOW SCREW
10	32-48659--4		4	HOSE, EXHAUST
11	54-33683		20	CLAMP, EXHAUST HOSE
12	94608A1		2	EXHAUST TUBE ASSEMBLY
13	94443A1		2	EXHAUST ELBOW ASSEMBLY
14	70981A3		2	EXHAUST BELLOWS
15	95740		2	GROUND STRAP, EXHAUST BELLOWS
16	54-31765		4	CLAMP, EXHAUST BELLOWS

DRIVE SHAFT EXTENSION COMPONENTS (M0061-G8)

* * * * MISSING ILLUSTRATION * * * *

DRIVE SHAFT EXTENSION COMPONENTS (M0061-G8)

REF. NO.	PART NO.	SYM.	QTY.	DESCRIPTION
1	45-94819A3		1	DRIVE SHAFT ASSEMBLY
2	52504		2	FLANGE, DRIVE SHAFT
3	61221		2	COVER AND BEARING KIT
4	22-74036		2	GREASE FITTING
5	10-52498		8	SCRWE, DRIVE SHAFT FLANGE (1-1/2")
6	11-34933		8	NUT, FLANGE SCREW
7	93913A3		1	BEAREING SUPPORT ASSEMBLY
8	26-93924		1	OIL SEAL
9	30-93944A1		1	BALL BEARING
10	53-93914		1	SNAP RING, BALL BEARING
11	22-74036		1	GREASE FITTING
12	93908A1		1	SHAFT ASSEMBLY, INPUT
13	19-93921		1	EXPANSION PLUG
14	53-93915		1	SNAP RING, INPUT SHAFT
15	22-74036		1	GREASE FITTING
16	93918A1		2	SHIELD ASSEMBLY, LOWER
17	10-76926		6	SCREW, LOWER SHIELD TO SUPPORT (7/8")
18	93919A1		2	SHIELD ASSEMBLY, UPPER
19	10-96995		8	SCREW, UPPER AND LOWER SHIELD (7/8")
20	11-99405		8	NUT, SHIELD SCREW
21	93906A1		1	SHAFT ASSEMBLY, OUTPUT
22	25-25439		2	"O" RING
23	53-94104		1	SNAPRING, BALL BEARING, INTERNAL
24	30-62780A1		1	BALL BEARING
25	49736A3		1	COUPLING ASSEMBLY
26	23-95966		1	BUSHING, COUPLING
27	12-34567		6	WASHER, HOUSING SCREW
28	11-98533		6	NUT, HOUSING SCREW
29	53-94103		1	SNAP RING, EXTERNAL
30	10-57053		2	BOLT, BEARING SUPPORT (4-1/2")
31	12-32552		2	WASHER, BEARING SUPPORT BOLT
32	12-42307		4	WASHER, BEARING SUPPORT BOLT (SPHERICAL)
33	11-28040		2	NUT, BEARING SUPPORT BOLT

DRIVE SHAFT EXTENSION COMPONENTS (M0062-G8)

* * * * MISSING ILLUSTRATION * * * *

DRIVE SHAFT EXTENSION COMPONENTS (M0062-G8)

REF. NO.	PART NO.	SYM.	QTY.	DESCRIPTION
1	93911A4		1	HOUSING ASSEMBLY, SHAFT
2	22-74036		1	GREASE FITTING
3	10-47651		6	SCREW, HOUSING
4	13-32993		6	LOCKWASHER, HOUSING SCREW
5	93923A1		2	MOUNT ASSEMBLY, ENGINE
6	10-47651		4	SCREW, MOUNT
7	13-32993		4	LOCKWASHER, MOUNT SCREW
8	86019A1		1	HOUSING, FLYWHEEL
9	93917A4		1	COVER ASSEMBLY, FLYWHEEL HOUSING
10	27-86015		1	GASKET, FLYWHEEL HOUSING COVER
11	10-98253		7	SCREW, COVER TO FLYWHEEL HOUSING (1/2")
12	13-26992		7	LOCKWASHER, COVER SCREW
13	10-37612		2	SCREW, FLYWHEEL HOUSING (1-1/4")
	10-47688		2	SCREW, FLYWHEEL HOUSING (2-3/4")
14	13-35048		6	LOCKWASHER, FLYWHEEL HOUSING SCREW AND STUD
15	12-20572		1	WASHER, FLYWHEEL HOUSING SCREW (FOR SLOT)
16	54-92850		1	J CLAMP, FLYWHEEL HOUSING SCREW
17	16-64066		1	STUD, FLYWHEEL HOUSING (2-1/4")
18	11-32219		1	NUT, FLYWHEEL HOUSING STUF
19	93920		1	PLATE, FLYWHEEL HOUSING
20	10-33212		2	SCREW, PLATE
21	13-32993		2	LOCKWASHER, PLATE SCREW

PARTS INDEX

Part Number	Description	Pg.	Ref. No.	Part Number	Description	Pg.	Ref. No.
26059	CAP, RUBBER- BOOSTER CYLINDER	67	8	33295	FRAME, COMMUTATOR END-LOWER	91	23
26079	PALTE, WIRING HARNESS TO MOUNTING BRACKET	7	2	33297	LEVER, SHIFT	81	38
32193	COIL, INGNITON	11	23	33297	LEVER, SHIFT	87	38
32783	RETAINER, HIGHT TENSION LEADS (3 WIRE)	11	34	33297	LEVER, SHIFT-DRIVE END HOUSING	93	37
32784	RETAINER, HIGH TENSION LEADS (4 WIRE)	11	34	33305	CONTACT, RESISTOR TERMINAL STUD	81	53
32877	COVER, WATER STOP - GIMBAL HOUSING	97	15	33305	CONTACT, RESISTOR TERMINAL STUD	87	53
33149	MOUNT, RUBBER - FLYWHEEL HOUSING ...	33	2	33305	CONTACT, RESISTOR TERMINAL STUD	93	50
33261	SOLENOID SWITCH ASSEMBLY	81	48	33310	SHAFT, SHIFT LEVER TO DRIVE END HOUSING ...	81	39
33261	SOLENOID SWITCH ASSEMBLY	87	48	33310	SHAFT, SHIFT LEVER TO DRIVE END HOUSING ...	87	39
33261	SOLENOID SWITCH ASSEMBLY	93	45	33316	CONTACT AND PUSH ROD ASSEMBLY	81	49
33270	BRUSH, FIELD FRAME	81	28	33316	CONTACT AND PUSH ROD ASSEMBLY	87	49
33270	BRUSH, FIELD FRAME	87	28	33316	CONTACT AND PUSH ROD ASSEMBLY	93	46
33270	BRUSH, FIELD FRAME	91	27	33317	PLUNGER, SHIFT LEVER - SOLENOID SWITCH	81	44
33283	HOLDER, FIELD FRAME BRUSH GROUND	87	27	33317	PLUNGER, SHIFT LEVER - SOLENOID SWITCH	87	44
33283	HOLDER, FIELD FRAME BRUSH GROUND	91	26	33317	PLUNGER, SHIFT LEVER- SOLENOID SWITCH	93	41
33283	HOLDER, INSULATED - FIELD FRAME BRUSH ...	81	27	33318	DRIVE ASSEMBLY, CLUTCH - ARMATURE	79	6
33284	HOLDER, INSULATED - FIELD FRAME BRUSH ...	81	26	33336	FAN, DRIVE END FRAME ..	75	4
33284	HOLDER, INSULATED - FIELD FRAME BRUSH ...	87	26	33367	LOCKWIRE, COLLAR AND SPRING RETAINING	91	10
33284	HOLDER, INSULATOR-FIELD FRAME BRUSH	91	25	33367	LOCKWIRE, COLLAR AND SPRING RETAINING	79	10
33291	,COLLAR, PINION STOP - DRIVE END HOUSING ...	85	5	33367	LOCKWIRE, COLLAR AND SPRING RETAINING	85	10
33291	0COLLAR, PINION STOP- DRIVE END HOUSING ...	91	5	33863	PULLEY, HARMONIC BALANCER (2 GROOVES)	43	17
33291	COLLAR, PINION STOP - DRIVE END HOUSING ...	79	5	34458	VALVE, INLET (STANDARD)	37	7
33292	COLLAR, THRUST - DRIVE END HOUSING	79	3	34518	SHIELD, VALVE SPRING CAP	37	10
33292	COLLAR, THRUST - DRIVE END HOUSING	85	3	34525	VALVE, INLET (.015 O.S.) ..	37	7
33292	COLLAR, THRUST-DRIVE END HOUSING	91	3	34625	WATER TEMPERATURE SENDER ASSEMBLY	3	12
33293	INSULATION, FIELD COIL ..	79	19	35328	ROTATOR ASSEMBLY, VALVE SPRING - EXHAUST VALVE	37	12
33293	INSULATION, FIELD COIL ..	85	19	35329	ARM, ROCKER VALVE	37	14
33294	SUPPORT PACKAGE, GROUND AND INSULATED HOLDERS ..	81	30	35330	ROD, VALVE PUSH (SINGLE BALL END)	37	5
33294	SUPPORT PACKAGE, GROUND AND INSULATED HOLDERS ..	87	30	35331	BALL UNIT, ROCKER VALVE ARM	37	15
33294	SUPPORT PACKAGE, GROUND AND INSULATED HOLDERS ..	91	29	35352	OIL PUMP ASSEMBLY	47	1
33295	FRAME, COMMUTATOR END - LOWER	79	24	35363	BRACE, STARTER MOTOR ..	3	5
				35365	SUPPORT, SPARK PLUG LEAD WIRE	43	25
				35373	PLATE, FUEL PUMP MOUNTING	13	4
				35377	ROD, PUSH- FUEL PUMP ..	13	7

PARTS INDEX

Part Number	Description	Pg.	Ref. No.	Part Number	Description	Pg.	Ref. No.
35378	CHAIN, CAMSHAFT TIMING			48133	BRACKET, OIL LEVEL		
	L.H. ROTATION	39	17		GAUGE INBOARD	47	21
36184	SHAFT, OIL PUMP TO			48263	SHOE, POLE - FIELD COIL .	79	17
	DISTRIBUTOR	47	4	48263	SHOE, POLE-FIELD COIL . .	91	17
38333	CAP, FILLER-HYDRAULIC			48272	FIELD COIL ASSEMBLY . . .	79	21
	PUMP	67	2	48272	FIELD COIL ASSEMBLY . . .	85	21
38766	PULLEY, DRIVE END FRAME	75	3	48348	CAP, INLET VALVE	37	11
39670A28	SWITCH ASSEMBLY,			48381A1	FLANGGE ASSEMBLY		
	ACTUATING	101	18		(1")SEE NOTE A	49	13
39670A28	SWITCH ASSEMBLY, CUT-			48382A1	FLANGE ASSEMBLY (1 1/8")	49	13
	OUT - TRANSOM PLATE .	63	50	48383A1	FLANGE ASSEMBLY (1 1/4")	49	13
45517A2	ARM ASSEMBLY, SWITCH			48384A1	FLANGE ASSEMBLY (1 3/8")	49	13
	ACTUATING	61	41	48385A1	FLANGE ASSEMBLY 1 1/2")	49	13
45517A2	ARM ASSEMBLY, SWITCH			48386A1	FLANGE ASSEMBLY (1") . . .	55	7
	ACUTATING	101	9	48386A1	FLANGE ASSEMBLY (1")SEE		
45526	CAM, REVERSE LOCK				NOTE B	49	13
	VALVE	61	14	48387A1	FLANGE ASSEMBLY (1 1/8")	49	13
45526	CAM, REVERSE LOCK			48387A1	FLANGE ASSEMBLY (1 1/8")	55	7
	VALVE	101	29	48388A1	FLANGE ASSEMBLY (1 1/4")	49	13
45528A2	COVER ASSEMBLY,			48388A1	FLANGE ASSEMBLY (1 1/4")	55	7
	REVERSE LOCK VALVE .	61	19	48389A1	FLANGE ASSEMBLY (1 3/8")	49	13
45528A2	COVER ASSEMBLY,			48389A1	FLANGE ASSEMBLY (1 3/8")	55	7
	REVERSE LOCK VALVE .	101	32	48390A1	FLANGE ASSEMBLY (1 1/2")	49	13
45537	COVER, SOLENOID SWITCH	87	51	48390A1	FLANGE ASSEMBLY (1 1/2")	55	7
45709	FOLLOWER, CAM	61	11	48515	LEVER, SHIFT -		
45709	FOLLOWER, CAM	101	23		TRANSMISSION	51	24
45915	TERMINAL BLOCK, ROTARY			48515	LEVER, SHIFT -		
	TRIM SENDER STERN				TRANSMISSION	55	20
	DRIVE	7	26	48652	ADAPTOR, SHIFT CABLE . .	51	28
46732A1	LEVER ASSEMBLY, CAM . .	61	25	48652	ADAPTOR, SHIFT CABLE . .	55	24
46732A1	LEVER ASSEMBLY, CAM . .	101	39	49076	VALVE, EXHAUST (.015 O.S.)	37	6
47441	COVER, THERMOSTAT	25	9	49174	REINFORCEMENT, VALVE		
47488	BRACKET, WATER PUMP . .	27	22		ROCKER COVER	37	3
47488	BRACKET, WATER PUMP . .	97	1	49288	CAP, OIL FILLER	37	2
47492A3	TUBE, OIL LEVEL GAUGE			49457	GAUGE, OIL LEVEL		
	INBOARD	47	17		(DIPSTICK)	59	--
47530	HUB, WATER PUMP			49735	BRACKET, OIL COOLER . . .	35	12
	PULLERY	99	43	49735	BRACKET, OIL COOLER		
47530	HUB, WATER PUMP PULLEY	27	17		MOUNT	65	15
47544	BRACE, WATER PUMP			49736A3	COUPLING ASSEMBLY	107	25
	ADJUSTING	27	28	49748A1	BRACKET ASSEMBLY, OIL		
47608	DRIVE PLATE, FLYWHEEL				COOLER	35	8
	INBOARD	41	18	49748A1	BRACKET ASSEMBLY, OIL		
47613	SWITCH, NEUTRAL SAFETY	49	9		COOLER	65	14
47613	SWITCH, NEUTRAL SAFETY	55	6	49770	OIL COOLER (SERIAL		
47805	TRANSMISSION (DIRECT				#5182832 AND BELOW) . .	65	11
	DRIVE)	49	1	52185	CLAMP, DISTRIBUTOR TO		
47806	TRANSMISSION (1.523:1				INTAKE MANIFOLD	11	20
	REDUCTION)	49	1	52349	PULLEY, WATER PUMP . . .	43	13
47807	TRANSMISSION (1.909:1			52504	FLANGE, DRIVE SHAFT . . .	107	2
	REDUCTION)	49	1	52731	OIL FILTER ASSEMBLY	45	34
47808	TRANSMISSION (2.57:1			52779A2	VALVE, POWER STEERING		
	REDUCTION)	49	1		(B-25-58226A1 SEAL		
47809	TRANSMISSION (2.909:1				REPAIR KIT)	67	11
	REDUCTION)	49	1	53338	FILTER VALVE ASSEMBLY .	45	32
47816	SIGHT GLASS	13	9	54646	BRACKET, MOUNTING -		
47957	CONNECTOR, VENT HOSE				FUEL FILTER (INBOARD)	13	13
	TO ROCKER COVER	15	20	54676	RETAINER, HIGH TENSION		
48104	BRACKET, ALTERNATOR				LEADS (2 WIRE)	11	34
	MOUNTING	5	34				

PARTS INDEX

Part Number	Description	Pg.	Ref. No.	Part Number	Description	Pg.	Ref. No.
55110	ADAPTOR, CABLE GUIDE TUBE (DUAL)	67	16	60212A1	EXHAUST ELBOW RISER	59	--
55132	THERMOSTAT HOUSING	95	8	60252	END CAP/CONNECTOR, EXHAUST MANIFOLD	23	7
55730	PLATE, EXHAUST ELBOW TO MANIFOLD (INBOARD)	23	15	60588	TRANSMISSION, V-DRIVE (1.51:1 REDUCTION)	55	1
56045	ALTERNATOR ASSEMBLY, COMPLETE	75	-	60656	COVER ASSEMBLY, CRANKCASE FRONT (R.H. ROTATION)	43	27
56932	VOLTAGE REGULATOR, TRANSISTOR	77	39	60658	WATER PUMP ASSEMBLY	43	10
56934	ROTOR	75	17	60686	LEAD, FIELD FRAME BRUSH	81	32
56935	STATOR ASSEMBLY	75	15	60686	LEAD, FIELD FRAME BRUSH	87	32
56936	FRAME ASSEMBLY, SLIP RING END	77	41	60686	LEAD, FIELD FRAME BRUSH	91	31
56938	DIODE TRIO	75	22	60689	FRAME ASSEMBLY, SLIP RING END	77	41
56939	RECTIFIER BRIDGE	75	18	60692	TERMINAL PACKAGE, BATTERY	75	27
56942	HOLDER AND BRUSH ASSEMBLY	77	34	60694	SCREEN, DRIVE END FRAME	75	14
56948	TERMINAL PACKAGE, BATTERY	75	27	60695	COVER ASSEMBLY, SLIP RING END	77	44
56950	CONDENSER	75	29	60930	SHUTTER, WATER EXHAUST SEPARATOR	25	22
56954	FRAME, DRIVE END	75	6	60930	WATER SHUTTER	105	6
56956	PLATE, BALL BEARING RETAINER	75	9	60931	RETAINER, WATER SHUTTER	25	23
56959	SCREEN, DRIVE END FRAME	75	14	60931	RETAINER, WATER SHUTTER	105	5
56961	COVER ASSEMBLY, SLIP RING END	77	44	60953	TRANSMISSION, V-DRIVE (DIRECT DRIVE)	55	1
57286	BRACKET, MOUNTING - TRANSOM PLATE	67	23	60954	TRANSMISSION, V-DRIVE (1.99:1 REDUCTION)	55	1
57295A1	FLANGE ASSEMBLY (1 3/4")	55	7	60955	TRANSMISSION, V-DRIVE (2.49:1 REDUCTION)	55	1
57296A1	FLANGE ASSEMBLY (2")	55	7	60956	TRANSMISSION, V-DRIVE (3.14:1 REDUCTION)	55	1
57611	BRACKET, PUMP (LOW MOUNTED P/S PUMP)	65	3	61221	COVER AND BEARING KIT	107	3
57969	CYLINDER, BOOSTER (B-25-58224A1 SEAL REPAIR KIT)	67	7	61937A1	WATER DISTRIBUTION HOUSING ASSEMBLY	97	18
57970	EXTENSION, CYLINDER BOOSTER ROD	69	34	61990	STA-STRAP	95	21
57971	TUBE, MOUNTING - BOOSTER ROD EXTENSION	67	32	61990	STA-STRAP, HYDRAULIC HOSES	67	6
58265	CLAMPING RING, PUMP PULLEY	27	19	62285	BRACKET, MOUNTING (REAR)	59	1
58265	CLAMPING RING, PUMP PULLEY	99	50	63815A1	BRACKET, SHIFT CABLE	51	19
58296	CONDENSER	75	29	63815A1	BRACKET, SHIFT CABLE	55	12
59137	THERMOSTAT (143 DEGREE)	25	8	63828	HOUSING, FLYWHEEL	35	1
59155	COVER, WATER PUMP	27	3	63832--1	COOLER, OIL (9")	35	7
59363A1	CAM SEGMENT ASSEMBLY	27	7	63832--2	COOLER, OIL (12")-V-DRIVE ONLY	35	7
59501	SHAFT, WATER PUMP	27	14	63833	COVER, FLYWHEEL HOUSING	35	2
59501	SHAFT, WATER PUMP	97	39	64414	GUIDE, CABLE GUIDE TUBE	67	22
59503	WEAR PLATE	27	6	64709	BRACKET, MOUNTING INBOARD	7	4
59755	ALTERNATOR ASSEMBLY, COMPLETE	75	-	64884	TAB, WIRING HARNESS (USED WITH B-84-77439)	7	8
59825	EXHAUST SEPARATOR	105	1	66057A3	SHIFT BRACKET ASSEMBLY	61	1
59825	SEPARATOR, EXHAUST	25	24	66059	BRACKET, MOUNTING - SHIFT	63	52
60207	PLATE, EXHAUST ELBOW TO MANIFOLD (STERN DRIVE)	23	15				

PARTS INDEX

Part Number	Description	Pg.	Ref. No.	Part Number	Description	Pg.	Ref. No.
66166	TRUNNION, ADJUSTING - MOUNTING BRACKET . . .	59	14	71648	BRACE, WATER PUMP	97	7
66284	BASE, ENGINE MOUNT	53	15	71693	ARMATURE	79	16
66284	BASE, ENGINE MOUNT	59	16	71693	ARMATURE	85	16
66284	BRACKET, MOUNTING	29	4	71696	HOUSING, DRIVE END	79	1
66397A1	LEVER ASSEMBLY, SHIFT CONTROL - CAM LEVER . .	61	33	71696	HOUSING, DRIVE END	85	1
66397A1	MBLY, SHIFT CONTROL- CAM LEVER	103	45	71698	LEVER, SHIFT	81	38
66417	BRACKET, MOUNTING - TRANSMISSION (REAR) . .	53	1	71698	LEVER, SHIFT	87	38
67467	PAD, MOUNTING BRACKET	95	4A	71699	VOLTAGE REGULATOR, TRANSISTOR	77	39
68598	FIELD COIL ASSEMBLY . . .	91	20	71700	LEAD, VOLTAGE REGULATOR	77	--
68599	FIELD COIL ASSEMBLY . . .	91	20	71704	FRAME, DRIVE END	75	6
68605	COIL, SHUNT-FIELD COIL . .	91	21	71995	COVER, TRANSMISSION HOUSING STERN DRIVE . .	39	11
68606	ARMATURE	79	16	72408	BELLOWS, EXHAUST ELBOW	97	17
68606	ARMATURE	85	16	72638	LIFTER, HYDRAULIC VALVE - TAPPET	39	10
68606	ARMATURE	91	16	72645	SCREEN ASSEMBLY, OIL PUMP	47	3
68607	ARMATURE	79	16	72647	GUARD, INTAKE MANIFOLD	43	8
68607	ARMATURE	85	16	72776	COVER, WATER PUMP	97	33
68607	ARMATURE	91	16	72777	WEAR PLATE	97	31
68608	DRIVE ASSEMBLY, CLUTCH - ARMATURE	79	6	72778	WEAR PLATE	97	36
68608	DRIVE ASSEMBLY, CLUTCH - ARMATURE	85	6	72950	TUBE, OIL LEVEL (LOWER) STRN DRIVE-PORT MOUNTED DIPSTICK	47	16
68608	DRIVE ASSEMBLY, CLUTCH- ARMATURE	91	6	73232	GAUGE, OIL LEVEL (DIPSTICK)	47	18
68609	DRIVE ASSEMBLY, CLUTCH - ARMATURE	79	6	73738	ELBOW, EXHAUST	25	16
68609	DRIVE ASSEMBLY, CLUTCH - ARMATURE	85	6	73798	PULLEY, WATER PUMP . . .	27	18
68609	DRIVE ASSEMBLY, CLUTCH- ARMATURE	91	6	73798	PULLEY, WATER PUMP . . .	99	49
68610	HOUSING, DRIVE END	91	1	73813A1	END CAP, EXHAUST MANIFOLD - REAR	97	25
68620	PLATE, BEARING	79	11	73813A1	END CAP, REAR	59	--
68620	PLATE, BEARING	91	11	73873	PULLEY, HYDRAULIC PUMP	67	2A
68670A2	THRU HULL WATER INTAKE ASSEMBLY	97	27	73873	PULLEY, STERRING PUMP .	65	2
69729	ALTERNATOR ASSEMBLY (DELCO REMY #1102496)	3	20	74632A1	BRACKET, MOUNTING (STARBOARD)	95	4
69729	ALTERNATOR ASSEMBLY, COMPLETE	75	-	74633A1	BRACKET, MOUNTING (PORT)	95	3
70125	COVER, CHOKE	21	60	74643A1	FRESH WATER COOLING KIT	95	1
70126	BRACKET, MOUNTING- THROTTLE CABLE INBOARD	15	22	74829	PLATE, EXHAUST MANIFOLD TO EXHAUST ELBOW	95	25
70938	BRACKET, MOUNTING - ENGINE	29	1	75040	PULLEY, POWER STEERING (1 GROOVE)-LOW MOUNTED P/S PUMP . . .	43	17A
70981	BELLOWS, EXHAUST ELBOW	25	19	75420	BALANCER, HARMONIC- CRANKSHAFT	43	16
70981A3	EXHAUST BELLOWS	105	14	75435A1	POINTER, TIMING	45	31
71128	BRACKET, MOUNTING - ENGINE (FRONT)	53	7	75612	COVER ASSEMBLY, CRANKCASE FRONT (L.H. ROTATION)	43	27
71128	BRACKET, MOUNTING - ENGINE (FRONT)	59	8	75664	FIELD COIL ASSEMBLY . . .	79	21
71317A8	HYDRAULIC PUMP ASSEMBLY, POWER STEERING (NON METRIC)	67	1	75664	FIELD COIL ASSEMBLY . . .	85	21
71587A2	COOLANT RECOVERY KIT(SEE NOTE #1 BELOW) . .	95	--	75665	ARMATURE	79	16
				75665	ARMATURE	85	16
				75666	HOUSING, DRIVE END	79	1

PARTS INDEX

Part Number	Description	Pg.	Ref. No.	Part Number	Description	Pg.	Ref. No.
76351A1	EXHAUST ELBOW ASSEMBLY (STERN DRIVE)	23	11	79205	DRIVE ASSEMBLY, CLUTCH - ARMATURE	85	6
76771A2	EXHAUST ELBOW ASSEMBLY (INBOARD) ..	23	11	79206	HOUSING, DRIVE END	79	1
76773A1	FLYWHEEL HOUSING ASSEMBLY	33	1	79206	HOUSING, DRIVE END	85	1
76812A4	REVERSE LOCK VALVE ASSEMBLY	61	8	79211	FRAME, COMMUTATOR END - LOWER	79	24
76812A4	REVERSE LOCK VALVE ASSEMBLY	101	22	79211	FRAME, COMMUTATOR END - LOWER	85	24
76850A2	COUPLING ASSEMBLY STERN DRIVE	41	12	79212	FIELD COIL ASSEMBLY ...	79	21
77234A2	EXHAUST MANIFOLD ASSEMBLY, PORT	23	1	79212	FIELD COIL ASSEMBLY ...	85	21
77235A2	EXHAUST MANIFOLD ASSEMBLY, STARBOARD	23	1	79396	PLATE, BEARING	79	11
77294	BRACKET, IGNITION COIL MOUNTING	11	24	79396	PLATE, BEARING	85	11
77440	BRACKET, MOUNTING STERN DRIVE	7	4	79550	BRACKET, MOUNTING - ENGINE	29	1
77453	BRACELET, MOUNTING - FUEL FILTER (STERN DRIVE)	13	13	79961	COVER, ROCKER	37	1
77454	GAUGE, OIL LEVEL (DIPSTICK)	47	18	85011A1	BRACKET, HYDRAULIC PUMP	65	19
77456	BRACKET, MOUNTING- THROTTLE CABLE STERN DRIVE	15	22	85013	BRACE, ALTERNATOR ADJUSTING	5	26
77518A1	INSTALLATION KIT, FRESH WATER COOLING	97	-	85803	VALVE, EXHAUST (STANDARD) SEE NOTE BELOW	37	6
77611	FLAME ARRESTOR, CARBURATOR	15	15	86019A1	HOUSING, FLYWHEEL	109	8
77912	OIL COOLER (SERIAL #5182833 AND UP)	65	11	86069	ADAPTOR, ROD END	69	35
77995	WEDGE, CARBURATOR INBOARD	15	9	86246	FUEL PUMP (USE WITH SIGHT GLASS)	13	1
78385	VOLTAGE REGULATOR, TRANSISTOR	77	39	86271	FLAME ARRESTOR, CARBURATOR	15	15
78386	BOOT, VOLTAGE REGULATOR TERMINALS	77	--	87353	GAUGE, OIL LEVEL (DIPSTICK) INBOARD ...	47	18
78387	COVER ASSEMBLY, SLIP RING END	77	44	87758A1	OIL PAN (INBOARD) PORT MOUNTED DIPSTICK	47	8
78388	CONNECTOR	77	--	88777	BRACE, POWER STEERING PUMP	65	23
78389	BRACKET, CONNECTOR ATTACHING	77	--	89876	BASE, FUEL FILTER	13	11
78403A1	ALTERNATOR ASSEMBLY (MOTORAOLA #8MR2023F)	5	20	89902	SOLENOID SWITCH ASSEMBLY	87	48
78403A1	ALTERNATOR ASSEMBLY, COMPLETE (MOTOROLA)	73	-	90507A1	HYDRAULIC PUMP ASSEMBLY, POWER STEERING (METRIC)	67	1
78477	ALTERNATOR ASSEMBLY, COMPLETE	75	-	90806	OIL PRESSURE SENDER ASSEMBLY	3	15
78778	OIL PAN (STERN DRIVE) PORT MOUNTED DIPSTICK	47	8	90840	PULLEY, WATER PUMP (HIGH MOUNTED P/S PUMP)	43	13
78779	INTAKE MANIFOLD	43	1	90841	PULLEY, POWER STEERING (1 GROOVE)-HIGH MOUNTED P/S PUMP ...	43	17A
78984A1	THERMOSTAT HOUSING ASS'Y	25	1	90981A2	BRACKET, PUMP (HIGH MOUNTED P/S PUMP) ...	65	3
				91823A3	DISTRIBUTOR ASSEMBLY, COMPLETE	11	1
				92078A1	DIPSTICK TUBE ASSEMBLY	47	17
				93906A1	SHAFT ASSEMBLY, OUTPUT	107	21
				93908A1	SHAFT ASSEMBLY, INPUT .	107	12
				93911A4	HOUSING ASSEMBLY, SHAFT	109	1
				93913A3	BEARING SUPPORT ASSEMBLY	107	7

PARTS INDEX

Part Number	Description	Pg.	Ref. No.	Part Number	Description	Pg.	Ref. No.
93918A1	SHIELD ASSEMBLY, LOWER	107	16	N.S.S.	POWER PISTON ASSEMBLY(ROCHESTER #7009718)	19	2
93919A1	SHIELD ASSEMBLY, UPPER	107	18	N.S.S.	PUMP SHAFT AND LEVER ASSEMBLY, AIR HORN(ROCHESTER #7038788)	19	31
93920	PLATE, FLYWHEEL HOUSING	109	19	N.S.S.	ROD, CHOKE(ROCHESTER #7038821)	21	48
93923A1	MOUNT ASSEMBLY, ENGINE	109	5	N.S.S.	ROD, PUMP(ROCHESTER #7038799)	19	32
94018A1	EXHAUST ELBOW ASSEMBLY	105	7	N.S.S.	SCREW, POLE SHOE T FIELD COIL (DELCO REMY #1968396)	85	18
94130	OIL PAN (STERN DRIVE) STBD. MOUNTED DIPSTICK	47	8	N.S.S.	SCREW, SUPPORT TO FIELD FRAME (DELCO REMY #274738)	87	33
94443A1	EXHAUST ELBOW ASSEMBLY	105	13	N.S.S.	SCREW, VENTURI CLUSTER TO FLOAT BOWL(CENTER)(ROCHESTER #700)	19	20
94608A1	EXHAUST TUBE ASSEMBLY	105	12	N.S.S.	SCREW, VENTURI CLUSTER TO FLOAT BOWL(OUTER)(ROCHESTER #7045)	19	22
94612A3	SHIFT PLATE ASSEMBLY	101	1	N.S.S.	SHOE, POLE - FIELD (DELCO REMY #1931129)	79	17
95740	GROUND STRAP, EXHAUST BELLOWS	105	15	N.S.S.	SHOE, POLE - FIELD COIL (DELCO REMY #1931129)	85	17
97401	FUEL PUMP (USE WITH SIGHT TUBE)	13	1	N.S.S.	SHOE, POLE - FIELD COIL (DELCO REMY #810601)	85	17
99948	ROD, VALVE PUSH (DOUBLE BALL END)	37	5	N.S.S.	STUD, SHIFT LEVER TO DRIVE END HOUSING	87	41
N.S.S.	AIR HORN(NOT SOLD SEPARATELY)	19	1	N.S.S.	THROTTLE BODY ASSEMBLY(NOT SOLD SEPARATELY)	19	38
N.S.S.	COLLAR, CLUTCH DRIVE (DELCO REM #1904443)	79	9	N.S.S.	VENTURI CLUSTER ASSEMBLY, FLOAT BOWL(NOT SOLD SEPARATELY)	19	18
N.S.S.	COLLAR, CLUTCH DRIVE (DELCO REMY #1904443)	85	9	N.S.S.	SCREW, COVER ATTACHING (1/2") STERN DRIVE	39	12
N.S.S.	COLLAR, DRIVE END FRAME - INNER (DELCO REMY #1963139)	75	12	N.S.S.	SCREW, COVER TO FLYWHEEL HOUSING (1/2")	35	3
N.S.S.	COLLAR, DRIVE END FRAME - OUTER (DELCO REMY #1959991)	75	5	N.S.S.	SCREW, GROUND CABLE TO ALTERNATOR	3	21
N.S.S.	CONNECTOR, FIELD COIL LEAD SCREW (DELCO REMY#1963519)	93	68	N.S.S.	SCREW, OIL COOLER MOUNT BRACKET	65	16
N.S.S.	CONNECTOR, FIELD COIL LEAD SCREW (DELCO REMY #1963519)	89	71	N.S.S.	SCREW, SHIFT CABLE	57	31
N.S.S.	CONNECTOR, FIELD COIL LEAD SCREW (DELCO REMY #1963519)	83	71	10-20031	SCREW, SHIFT CABLE TO ADAPTOR	51	35
N.S.S.	COOLLAR, CLUTCH DRIVE (DELCO REMY #1904443)	91	9	10-20031	SCREW, TERMINAL BLOCK (5/8") STERN DRIVE	7	28
N.S.S.	COVER, SOLENOID SWITCH (DELCO REMY #1963525)	81	51	10-20055	SCREW, CIRCUIT BREAKER TO BRACKET (7/8") - STERN DRIVE	7	20
N.S.S.	COVER, SOLENOID SWITCH (DELCO REMY #1963525)	93	48	10-20359	SCREW, TERMINAL BLOCK (7/8")	63	56
N.S.S.	FLOAT BOWL ASSEMBLY(ROCHESTER #17055057)	19	17	10-20639	SCREW, TERMINAL BLOCK (7/8")	101	17
N.S.S.	IDLE STOP SCREW, THROTTLE BODY(ROCHESTER #7031547)	21	41	10-20639			
N.S.S.	LEVER ASSEMBLY, CHOKE PISTON(ROCHESTER #7010051)	21	56	10-22391			
N.S.S.	PIN, HINGE-FLOAT TO AIR HORN(ROCHESTER #7002081)	19	13	10-24637			
N.S.S.	PLATE, BEARING (DELCO REMY #1956939)	85	11	10-24637			

PARTS INDEX

Part Number	Description	Pg.	Ref. No.	Part Number	Description	Pg.	Ref. No.
10-24963	SCREW, SOLENOID SWITCH TO DRIVE END HOUSING	87	47	10-33045	SCREW, CHOKE VALVE TO CHOKE SHAFT	21	52
10-25299	SCREW, END CAP ATTACHING (3/4")	59	--	10-33047	SCREW, AIR HORN PUMP LEVER	19	30
10-25299	SCREW, END CAP ATTACHING (3/4")	97	24	10-33047	SCREW, CHOKE COVER TO CHOKE HOUSING	21	61
10-25299	SCREW, REVERSE LOCK VALVE TO SHIFT SUPPORT BRACKET (3/4")	61	29	10-33048	SCREW, AIR HORN TO FLOAT BOWL(LONG)	19	5
10-25299	SCREW, REVERSE LOCK VALVE (3/4")	101	41	10-33052	SCREW, THROTTLE BODY TO FLOAT BOWL	21	44
10-26066	SCREW, FUEL FILTER TO MOUNTING BRACKET (1 1/4")	13	14	10-33053	SCREW, CHOKE HOUSING TO AIR HORN	21	55
10-26487	BOLT, INTAKE MANIFOLD TO CYLINDER BLOCK (1 1/8")	43	2	10-33056	SCREW, CHOKE PISTON LEVER TO CHOKE HOUSING	21	57
10-26487	SCREW, BRACKET TO HYDRAULIC PUMP (1 1/8")-NON METRIC	65	20	10-33212	SCREW, PLATE	109	20
10-26632	SCREW, FLYWHEEL HOUSING ATTACHING (1 1/4")	33	4	10-33231	SCREW, COVER ATTACHING (1/2") STERN DRIVE	39	14
10-27165	SCREW, ALTERNATOR BRACE TO CYLINDER BLOCK (3/4")	5	31	10-33231	SCREW, TENSION SPRING	101	12
10-27165	SCREW, OIL COOLER BRACKET (3/4")	35	10	10-33231	SCREW, TENSION SPRING TO ARM	61	42
10-27304	SCREW, RETAINER PLATE TO DRIVE END FRAME	75	10	10-33248	SCREW, COVER TO SOLENOID SWITCH (7/16")	83	67
10-28635	SCREW, COVER TO BODY	27	4	10-33248	SCREW, COVER TO SOLENOID SWITCH (7/16")	89	67
10-28642	SCREW, WATER PUMP DRIVE (1/4")	97	34	10-33248	SCREW, COVER TO SOLENOID SWITCH (7/16")	93	64
10-28701	SCREW, CARBURETOR MOUNTING (3 1/2")	59	--	10-33250	SCREW, SUPPORT TO FIELD FRAME	81	33
10-28713	SCREW, SOLENOID SWITCH TO DRIVE END HOUSING	81	47	10-33250	SCREW, SUPPORT TO FIELD FRAME	91	32
10-28713	SCREW, SOLENOID SWITCH TO DRIVE END HOUSING	87	47	10-33286	BOLT, THRU - COMMUTATOR END TO DRIVE END HOUSING	87	25
10-28713	SCREW, SOLENOID SWITCH TO DRIVE END HOUSING	93	44	10-33286	BOLT, THRU - COMMUTATOR END TO DRIVE END HOUSING	87	25
10-29198	SCREW, ALTERNATOR BRACE TO ALTERNATOR (7/8") - NON POWR STEE	5	27	10-33286	BOLT, THRU - COMMUTATOR END TO DRIVE END HOUSING 1	81	25
10-30902	SCREW, ACTUATING SWITCH	101	19	10-33286	BOLT, THRU-COMMUTATOR END TO DRIVE END HOUSING	91	24
10-30902	SCREW, SWITCH ASSEMBLY TO TRANSOM PLATE (3/4")	63	51	10-33296	BOLT, THRU - COMMUTATOR END TO DRIVE END HOUSING	81	25
10-31832	SCREW, MOUNTING BRACKET TO TRANSOM PLATE	67	24	10-33296	BOLT, THRU - COMMUTATOR END TO DRIVE END HOUSING	85	25
10-32132	SCREW, STERRING PUMP TO BRACKET (1 3/4")-NON METRIC	65	4	10-33322	BOLT, THRU - SLIP RING END FRAME TO DRIVE END FRAME	77	48
10-32132	SCREW, WATER PUMP TO CYLINDER BLOCK (1 3/4")	43	12	10-33389	SCREW, HOUSING TO INTAKE MANIFOLD (4 1/4")	25	5
10-33042	SCREW, FAST IDLE CAM TO FLOAT BOWL	21	47	10-33524	SCREW, CLIP TO BRACKET (5/8") INBOARD	47	23
				10-34277	SCREW, CRANKCASE FRONT END COVER TO BLOCK (7/16")	45	30

PARTS INDEX

Part Number	Description	Pg.	Ref. No.	Part Number	Description	Pg.	Ref. No.
10-34277	SCREW, FUEL PUMP MOUNTING PLATE	13	6	10-35386	SCREW, SHIFT BRACKET ATTACHING	63	53
10-34277	SCREW, OIL PAN TO CUL. BLOCK (1/4-20X7/8") STERN DRIVE	47	14	10-35585	SCREW, BRACKET TO FLYWHEEL HOUSING . . .	55	13
10-34352	BOLT, CRANKSHAFT PULLEY TO BALANCER (7/8")-NON-POWER STEERIN	43	21	10-35585	SCREW, BRACKET TO TRANSMISSION (3/4") . . .	51	22
10-34353	SCREW, BRACE TO BRACKET (1")	65	24	10-35765	SCREW, BRACE TO ENGINE (5/8")	3	6
10-34353	SCREW, BRACE TO STEERING PUMP	27	29	10-35786	BOLT, CRANKSHAFT PULLEY TO BALANCER (1")-POWER STEERING . .	43	21
10-34353	SCREW, FLYWHEEL HOUSING TO ENGINE (1")	35	5	10-35786	SCREW, ADJUSTING BRACE TO BRACKET SCREW (1")	27	32
10-34353	SCREW, STARBOARD MOUNTING BRACKET TO ENGINE (1#)	95	5	10-35786	SCREW, WATER PUMP BRACE TO WATER PUMP BRACKET (1")	97	8
10-34353	SCREW, WATER PUMP BRACKET TO ENGINE (1")	27	25	10-37269	SCREW, BRACKET TO TRANSMISSION (2")	53	2
10-34353	SCREW, WATER PUMP BRACKET TO ENGINE (1")	97	2	10-37269	SCREW, CLAMPING - MOUNTING BRACKET (2")	53	10
10-34354	SCREW, BRACKET TO CYLINDER BLOCK (1 1/2")	65	7	10-37269	SCREW, CLAMPING - MOUNTING BRACKET (2")	59	11
10-34354	SCREW, CLAMPING - WATER PUMP BRACKET (1 1/2")	97	5	10-37510	BOLT, INTAKE MANIFOLD TO CYLINDER BLOCK (1 1/2")	43	2
10-34354	SCREW, FUEL PUMP TO MOUNTING PLATE (1 1/2)	13	3	10-37612	SCREW, BRACE TO BRACKET (1 1/4")	65	24
10-34354	SCREW, LIFTING EYE ATTACHING (1 1/2") INBOARD	43	5	10-37612	SCREW, BRACE TO ENGINE (1 1/4")	97	11
10-34354	SCREW, MOUNTING BRACKET ATTACHING (1 1/2") STERN DRIVE	7	5	10-37612	SCREW, BRACKET TO ENGINE (1 1/4")	29	2
10-34354	SCREW, WATER PUMP BRACKET CLAMPING . . .	27	23	10-37612	SCREW, BRACKET TO ENGINE (1 1/4")	29	2
10-34505	BOLT, CAMSHAFT TIMING SPROCKETS (3/4")	39	20	10-37612	SCREW, CLAMPING (1 1/4")	67	13
10-34544	SCREW, STARTER MOTOR TO CYLINDER BLOCK (1 15/16")	3	7	10-37612	SCREW, EXHAUST SEPARATOR (1-1/4")	105	2
10-35047	SCREW, SHIFT PLATE	101	20	10-37612	SCREW, FLYWHEEL HOUSING (1-1/4")	109	13
10-35091	SCREW, DRIVE PLATE TO FLYWHEEL INBOARD . . .	41	19	10-37612	SCREW, MOUNTING BRACKET TO ENGINE (1 1/4")	53	8
10-35316	BOLT, CYLINDER HEAD TO CYLINDER BLOCK (3 3/4")	37	22	10-37612	SCREW, MOUNTING BRACKET TO ENGINE (1 1/4")	59	9
10-35317	BOLT, CYLINDER HEAD TO CYLINDER BLOCK (1 3/4")	37	20	10-37612	SCREW, SEPARATOR TO HOUSING (1 1/4")	25	26
10-35318	BOLT, CYLINDER HEAD TO CYLINDER BLOCK (3") . .	37	21	10-37892	SCREW, THROTTLE CABLE TO CARBURATOR(1") . . .	15	10
10-35366	SCREW, LEAD WIRE SUPPORT TO CYLINDER (2 1/2")	43	26	10-37909	SCREW, FLANGE TO TRANSMISSION (1 1/8") . .	49	15
10-35366	SCREW, ROCKER VALVE COVER TO CYLINDER HEAD (1/2")	37	3	10-38603	SCREW, RECTIFIER BRIDGE ATTACHING	75	19
10-35386	SCREW, END CAP TO MANIFOLD (1") INBOARD	23	9	10-40001194	SCREW, BRACKET TO HYDRAULIC PUMP (30MM)-METRIC	65	20
				10-40001203	SCREW, STERRING PUMP TO BRACKET (45MM)-METRIC	65	4
				10-45218	SCREW, TERMINAL BLOCK (3/8")	63	57

PARTS INDEX

Part Number	Description	Pg.	Ref. No.	Part Number	Description	Pg.	Ref. No.
10-45218	SCREW, TERMINAL BLOCK (3/8")	101	17	10-48115	SCREW, THERMOSTAT HOUSING AND COVER TO INTAKE MANIFOLD (3 1/2")	95	14
10-45533	SCREW, POLE SHOE TO FIELD COIL	91	18	10-48266	SCREW, FIELD COIL LEAD TO SOLENOID SWITCH (7/16")	83	69
10-45546	SCREW, FIELD COIL LEAD TO SOLENOID SWITCH (1")	93	66	10-48266	SCREW, FIELD COIL LEAD TO SOLENOID SWITCH (7/16")	93	66
10-45546	SCREW, FIELD COIL LEAD TO SOLENOID SWITCH (1)	83	69	10-48266	SCREW, FIELD COIL TO SOLENOID SWITCH (7/16")	89	69
10-45546	SCREW, FIELD COIL LEAD TO SOLENOID SWITCH (91")	89	69	10-48308	SCREW, ALTERNATOR TO ALTERNATOR BRACKET (3 3/4")	5	37
10-45716	SCREW, COVER TO REVERSE LOCK VALVE	101	37	10-48333	BOLT, OIL PUMP TO CYLINDER BLOCK (2")	47	2
10-45716	SCREW, COVER TO REVERSE LOCK VALVE (15/16")	61	22	10-48424	SCREW, BRACKET TO ENGINE (1 5/8")	29	2
10-45754	SCREW, FLYWHEEL HOUSING ATTACHING (2")	33	4	10-48424	SCREW, MOUNTING BRACKET TO ENGINE (1 5/8")	53	8
10-46718	SCREW, WIRING HARNESS PLATE TO MOUNTING BRACKET (3/4")	7	3	10-49845	SCREW, FLYWHEEL TO CRANKSHAFT	41	17
10-46736	SCREW, CAM TO CAM LEVER (1/2")	61	15	10-49956	SCREW, OIL PAN DRAIN STERN DRIVE	47	10
10-46736	SCREW, CAM TO CAM LEVER (1/2")	101	30	10-52200	SCREW, WATER PUMP TO CYLINDER BLOCK (1 1/4")	43	12
10-46888	SCREW, BRUSH LEAD TO FIELD FRAME BRUSH (8-18 X 5/8")	81	29	10-52498	SCREW, MOUNTING BRACKET ATTACHING (1 1/4") INBOARD	7	5
10-46888	SCREW, BRUSH LEAD TO FIELD FRAME BRUSH (8-18X5/8)	91	28	10-52498	SCREW, SHIFT BRACKET TO FLYWHEEL HOUSING (1 1/2")	61	6
10-47277	SCREW, PULLEY TO WATER PUMP	27	20	10-52498	SCRWE, DRIVE SHAFT FLANGE (1-1/2")	107	5
10-47277	SCREW, PULLEY TO WATER PUMP	99	51	10-52904	SCREW, BRUSH LEAD TO FIELD FRAME BRUSH (8-18 X 5/8")	87	29
10-47277	SCREW, PULLEY TO WATER PUMP (3/4")	43	14	10-53016	SCREW, END CAP AND FUEL FILTER BRACKET (1 1/4") INBOARD	23	9
10-47462	SCREW, MOUNTING BRACKET TO TRANSMISSION (1 1/4")	59	2	10-53556	SCREW, WATER STOP COVER PLATE TO GIMBAL HOUSING (1")	97	16
10-47462	SCREW, STARTER MOTOR TO CYLINDER BLOCK (1 1/4") INBOARD	3	7	10-53728	SCREW, EXHAUST MANIFOLD TO CYLINDER HEAD (4 5/8")	23	6
10-47618	SCREW, CIRCUIT BREAKER TO BRACKET (1") INBOARD	7	20	10-54528	SCREW, DISTRIBUTOR CLAMP ATTACHING (7/8")	11	21
10-47651	SCREW, HOUSING	109	3	10-54786	SCREW, FILTER VALVE TO CYLINDER BLOCK	45	33
10-47651	SCREW, MOUNT	109	6	10-54788	BOLT, CRANKSHAFT BEARING CAP TO CYLINDER BLOCK (2 31/32")	41	9
10-47654	SCREW, CLAMPING - MOUNTING BRACKET (2 3/4")	59	4	10-55714	SCREW, OIL PAN TO BLOCK (5/16 - 18 X 7/8) INBOARD	47	12
10-47688	SCREW, FLYWHEEL HOUSING (2-3/4")	109	13	10-55715	SCREW, OIL PAN TO BLOCK (1/4-20X7/8) INBOARD	47	14
10-47688	SCREW, WATERPUMP TO CYLINDER BLOCK (2 3/4")	43	12				
10-47724	SCREW, TRANSMISSION TO ENGINE (3")	49	2				
10-47724	SCREW, TRANSMISSION TO ENGINE (3")	55	2				

PARTS INDEX

Part Number	Description	Pg.	Ref. No.	Part Number	Description	Pg.	Ref. No.
10-56945	SCREW, BRUSH HOLDER ATTACHING - GROUND ..	75	25	10-60777	SCREW, CAM SEGMENT ..	27	8
10-56951	SCREW, CONDENSER ATTACHING	77	31	10-60835	SCREW, SEPARATOR TO HOUSING (5")	25	25
10-56952	SCREW, CONDENSER LEAD TERMINAL ATTACHING ..	77	32	10-60992	SCREW, EXHAUST ELBOW (1 1/4")	25	17
10-56963	SCREW, SCREEN TO COVER	77	46	10-62568	SCREW, ROTARY TRIM SENDER LEADS STERN DRIVE	7	27
10-56963	SCREW, SCREEN TO COVER	77	46	10-63328	SCREW, COVER TO BODY (3")	99	47
10-57053	BOLT, BEARING SUPPORT (4-1/2")	107	30	10-63826	SCREW, FLYWHEEL HOUSING TO ENGINE (2 1/2")	35	6
10-57357	SCREW, CLAMPING - MOUNTING BRACKET (2 1/4")	53	4	10-66652	SCREW, BRACKET TO INGNITON COIL (1 1/2") ..	11	25
10-57968	SCREW, ADJUSTING - MOUNTING BRACKET ...	67	26	10-68612	SCREW, BEARING PLATE ATTACHING	91	14
10-58640	SCREW, EXHAUST ELBOW TO SEPARATOR	105	8	10-68864	SCREW, WATER INTAKE ATTACHING	97	28
10-59645	SCREW, IGNITON COIL ATTACHING (3/4")	11	29	10-69028	SCREW, STARTER SOLENOID TO BRACKET (3/4") STERN DRIVE	7	10
10-60106	SCREW, TRANSMISSION FLANGE TO PROPELLER FLANGE (1 1/4")	49	15	10-69054	SCREW, STARTER SOLENOID TO BRACKET (5/8") INBOARD	7	10
10-60106	SCREW, TRANSMISSION FLANGE TO PROPELLER FLANGE (1 1/4")	55	9	10-71702	SCREW, RECTIFIER BRIDGE ATTACHING	75	19
10-60168	SCREW, FLANGE TO PROPELLER SHAFT (1 1/2)	49	14	10-71703	SCREW, BRUSH HOLDER ATTACHING - GROUND ..	75	25
10-60169	SCREW, FLANGE TO PROPELLER SHAFT (3/4")	49	14	10-72626	BOLT, PULLEY AND HARMONIC BALANCER TO CRANKSHAFT (2"0 ...	43	18
10-60169	SCREW, FLANGE TO PROPELLER SHAFT (3/4")	55	8	10-72644	SCREW, OIL PAN TO CYL. BLOCK (5/16-18X7/8) STERN DRIVE	47	12
10-60170	SCREW, FLANGE TO PROPELLER SHAFT (1") .	49	14	10-73657	SCREW, ALTERNATOR BRACE TO ALTERNATOR (1 1/2") - POWER STEER .	5	27
10-60170	SCREW, FLANGE TO PROPELLER SHAFT (1") .	55	8	10-73657	SCREW, END CAP TO MANIFOLD (1 1/2") STERN DRIVE	23	9
10-60171	SCREW, FLANGE TO PROPELLER SHAFT (1 1/4")	49	14	10-75659	SCREW, BEARING PLATE ATTACHING	79	14
10-60171	SCREW, FLANGE TO PROPELLER SHAFT (1 1/4") SEE NOTE BELOW .	55	8	10-75659	SCREW, BEARING PLATE ATTACHING	85	14
10-60179	SCREW, TRANSMISSION TO ENGINE (3 1/2")	49	2	10-76926	SCREW, ALTERNATOR BRACKET TO EXHAUST MANIFOLD (7/8")	5	35
10-60684	SCREW, POLE SHOE TO FIELD COIL	79	18	10-76926	SCREW, BRACE TO ENGINE (5/8")	65	28
10-60685	SCREW, BRUSH LEAD TO FIELD FRAME BRUSH ...	81	29	10-76926	SCREW, LOWER SHIELD TO SUPPORT (7/8")	107	17
10-60685	SCREW, BRUSH LEAD TO FIELD FRAME BRUSH ...	87	29	10-79209	SCREW, BEARING PLATE ATTACHING	79	14
10-60685	SCREW, BRUSH LEAD TO FIELD FRAME BRUSH ...	91	28	10-79209	SCREW, BEARING PLATE ATTACHING	85	14
10-60691	SCREW, BRUSH HOLDER ATTACHING - INSULATED	77	36	10-85802	BOLT, CONNECTING ROD CAP	41	22
10-60693	SCREW, CONDENSER ATTACHING	77	31				
10-60693	SCREW, CONDENSER LEAD TERMINAL ATTACHING ..	77	32				

PARTS INDEX

Part Number	Description	Pg.	Ref. No.	Part Number	Description	Pg.	Ref. No.
10-96995	SCREW, UPPER AND LOWER SHIELD (7/8") . . .	107	19	11-24883	NUT, ADJUSTING BRACE SCREW	27	33
10-98253	SCREW, COVER TO FLYWHEEL HOUSING (1/2")	109	11	11-24883	NUT, ADJUSTING SCREW . .	67	28
11-20083	NUT, SHIFT LEVER	51	27	11-24883	NUT, TRANSMISSION FLANGE SCREW	49	17
11-20083	NUT, SHIFT LEVER	55	23	11-24883	NUT, WATER PUMP BRACE TO BRACKET SCREW . . .	97	10
11-20110	NUT, COVER SCREW	61	23	11-26419	NUT, STARTER TERMINAL (#8)	3	11
11-20110	NUT, COVER SCREW	101	38	11-26484	NUT, SHIFT LEVER SCREW	93	40
11-20110	NUT, SHIFT CONRTOL LEVER TO CAM LEVER STUD	61	32	11-26484	NUT, SHIFT LEVER STUD . .	81	43
11-20110	NUT, SHIFT CONTROL LEVER TO CAM LEVER STUD	103	44	11-26484	NUT, SHIFT LEVER STUD . .	87	43
11-20361	NUT, SHIFT ACTUATING LEVER	103	52	11-28040	NUT, BEARING SUPPORT BOLT	107	33
11-20361	NUT, SHIFT BRACKET STUD	61	5	11-28040	NUT, VALVE ADAPTOR STUD	67	30
11-20361	NUT, SHIFT CABLE STUD . .	101	6	11-28941	NUT, JAM-FLAME ARRESTOR	15	3
11-20361	NUT, SHIFT CABLE STUD . .	103	50	11-29031	NUT, STARTER MOTOR STUD B-50-79822A2	3	4
11-20361	NUT, SHIFT CABLE TO LEVER STUD	61	37	11-29553	NUT, CLAMPING SCREW . .	53	12
11-20361	NUT, STARTE RSOLENOID SCREW STERN DRIVE . .	7	11	11-29553	NUT, CLAMPING SCREW . .	53	6
11-20361	NUT, THROTTLE CABLE STUD INBOARD	17	26	11-29553	NUT, SCREW CLAMPING . .	59	13
11-20586	NUT, FLAME ARRESTOR STUD	15	17	11-29553	NUT, SCREW CLAMPING . .	59	7
11-20586	NUT, THROTTLE CABLE STUD STERN DRIVE	17	26	11-30968	NUT, SUPPORT SCREW . . .	81	35
11-20645	NUT, IGNITON COIL TERMIANL	11	28	11-30968	NUT, SUPPORT SCREW . . .	87	35
11-20696	NUT, MOUNTING BRACKET SCREW INBOARD	7	7	11-30968	NUT, SUPPORT SCREW . . .	91	34
11-20739	NUT, JAM - ENGINE MOUNT BASE	53	16	11-30968	NUT, TERMINAL STUD	5	25
11-20739	NUT, JAM - ENGINE MOUNT BASE	59	17	11-32219	NUT, BATTERY AND MOTOR TERMINAL STUD (3/8-16)	89	59
11-20739	NUT, JAM - MOUNTING BRACKET	29	5	11-32219	NUT, BATTERY AND MOTOR TERMINAL STUD (3/8-16)	93	56
11-20890	NUT, STARTER MOTOR STUD USED WITH B-50-79823A1	3	4	11-32219	NUT, BATTERY AND MOTOR TERMINAL STUD 3/8-16) 2	83	59
11-20890	NUT, TERMIANL STUD	5	25	11-32219	NUT, BATTERY TERMINAL STUD (3/8-16)	83	61
11-21825	NUT, FUSE STUD FUSED ENGINES	9	35	11-32219	NUT, BATTERY TERMINAL STUD (3/8-16)	89	61
11-21923	NUT, DIODE TRIO TO RECTIFIER BRIDGE TERMINAL	75	24	11-32219	NUT, BATTERY TERMINAL STUD (3/8-16)	93	58
11-21923	NUT, SWITCH TERMINAL STUD (8-32)	83	65	11-32219	NUT, BRACE SCREW	65	27
11-21923	NUT, SWITCH TERMINAL STUD (8-32)	89	65	11-32219	NUT, FLYWHEEL HOUSING STUD	33	8
11-21923	NUT, SWITCH TERMINAL STUD (8-32)	93	62	11-32219	NUT, FLYWHEEL HOUSING STUF	109	18
11-22024	NUT, FLANGE SCREW	49	17	11-32219	NUT, STARTER TERMINAL - NON METRIC	3	9
11-22024	NUT, FLANGE SCREW	55	11	11-32219	NUT, MOUNTING TUBE	67	31
11-22024	NUT, TRANSMISSION STUD	49	5	11-32882	NUT, FAN AND PULLEY TO ROTOR	75	1
11-22053	NUT, CLIP SCREW INBOARD	47	26	11-33272	NUT, ROCKER VALVE ARM STUD	37	16
				11-34516	NUT, FLANGE SCREW	107	6
				11-34933	NUT, ACTUATING ARM STUD	101	15
				11-35814	NUT, FUEL FILTER SCREW	13	16
				11-35814	NUT, SWITCH ACTUATING ARM STUD	63	49
				11-37493	NUT, CONNECTING ROD CAP BOLT	41	23

PARTS INDEX

Part Number	Description	Pg.	Ref. No.	Part Number	Description	Pg.	Ref. No.
11-37984	NUT, CABLE GUIDE TUBE	67	21	11-68292	NUT, STARTER SOLENOID		
11-40020--4	NUT, STARTER TERMINAL - METRIC	3	9	11-68411	TERMINAL (5/16")	7	16
11-45812	NUT, THROTTLE CABLE			11-68411	NUT, STEERING PUMP		
	SCREW	15	14	11-68411	STUD (NON METRIC)	65	10
11-46438	NUT, CIRCUIT BREAKER			11-68531	NUT, MOUNT BRACKET		
	SCREW	7	25	11-68531	SCREW	65	17
11-46438	NUT, SHIFT CABLE	57	30	11-71701	NUT, ALTERNATOR		
11-46438	NUT, SHIFT CABLE			11-71701	TERMINAL	5	25
	ADAPTOR STUD	51	34	11-71701	NUT, BRACKET ATTACHING	77	--
11-46438	NUT, SHIFT CABLE TO			11-90517	NUT, VOLTAGE		
	BRACKET STUD (10-32)	51	21	11-90517	REGULATOR	77	--
11-46438	NUT, SHIFT CABLE TO			11-98533	NUT, STEERING PUMP		
	BRACKET STUD (10-32)	55	16	11-98533	STUD (METRIC)	65	10
11-46438	NUT, TERMINAL BLOCK			11-98533	NUT, COUPLER STUDS		
	SCREW STERN DRIVE	7	29	11-98533	FLYWHEEL STERN DRIVE	41	15
11-46793	NUT, CARBURATOR			11-99405	NUT, HOUSING SCREW	107	28
	MOUNTING STUD STERN			12-20084	NUT, SHIELD SCREW	107	20
	DRIVE	15	7	12-20084	WASHER, CARBURATOR		
11-46793	NUT, CARBURATOR STUDS				MOUNTING STUD AND		
	INBOARD	15	8	12-20084	SCREW STERN DRIVE	15	7
11-46793	NUT, SHIFT CABLE	57	33	12-20084	WASHER, CARBURATOR		
11-46793	NUT, SHIFT CABLE SCREW	51	37	12-20084	STUDS INBOARD	15	7
11-46887	NUT, SHIFT CABLE	55	27	12-20084	WASHER, FUEL FILTER		
11-46887	NUT, SHIFT CABLE			12-20084	SCREW	13	15
	ADAPTOR	51	31	12-20084	WASHER, IGNITION COIL		
11-47626	NUT, OIL LEVEL GAUGE			12-20084	ATTACHING SCREW	11	30
	TUBE INBOARD	47	20	12-20084	WASHER, COVER TO BODY		
11-49838	NUT, EXHAUST ELBOW TO			12-20128	SCREW	99	48
	EXHAUST MANIFOLD			12-20128	WASHER, THROTTLE CABLE		
	STUD	23	17	12-20533	SCREW	15	12
11-49838	NUT, RISER TO EXHAUST			12-20533	WASHER, SHIFT CABLE	55	26
	ELBOW STUD	59	--	12-20533	WASHER, SHIFT CABLE		
11-52412	NUT, OIL COOLER BRACKET			12-20553	ADAPTOR	51	30
	SCREW	35	11	12-20553	WASHER, ALTERNATOR		
11-55111	NUT, DUAL ADAPTOR TO			12-20553	BRACE SCREW	5	33
	POWER STEERING VALVE	67	18	12-20553	WASHER, ALTERNATOR		
11-55983	NUT, JAM - MOUNTING			12-20553	BRACKET SCREW	5	39
	TUBE	69	33	12-20553	WASHER, OIL LEVEL TUBE		
11-63341	NUT, SHIFT ACTUATING			12-20553	BRACKET INBOARD	47	25
	CABLE TO SHIFT			12-20553	WASHER, WATER PUMP		
	CONTROL LEVER	103	49	12-20553	BRACKET SCREW	27	27
11-63341	TEE NUT, SHIFT CABLE TO			12-20553	WASHER, WATER PUMP		
	SHIFT LEVER	61	40	12-20572	BRACKET SCREW	97	3
11-68219	NUT, CIRCUIT BREAKER			12-20572	WASHER, FLYWHEEL		
	TERMINAL	7	19	12-20572	HOUSING SCREW (FOR		
11-68219	NUT, HARNESS ATTACHING	49	12	12-20572	SLOT)	109	15
11-68219	NUT, OIL PRESSURE			12-20572	WASHER, FLYWHEEL		
	SENDER TERMINAL (#10)	3	17	12-20572	HOUSING SCREW		
11-68219	NUT, RESISTOR TERMINAL			12-20572	-SPECIAL (3/8")	33	7
	STUD (10-32)	81	55	12-20722	WASHER, FLYWHEEL		
11-68219	NUT, RESISTOR TERMINAL			12-20722	HOUSING TO ENGINE		
	STUD (10-32)	87	55	12-20959	SCREW	35	6A
11-68219	NUT, RESISTOR TERMINAL			12-20959	WASHER, SHIFT LEVER	51	25
	STUD (10-32)	93	52	12-20959	WASHER, SHIFT LEVER	55	21
11-68219	NUT, STARTER SOLENOID			12-21273	WASHER, VALVE ADAPTOR		
	TERMINAL (10-32)	7	14	12-21273	STUD	67	29
11-68219	NUT, WATER			12-21273	WASHER, CAM LEVER STUD	61	31
	TEMPERATURE SENDER			12-21631	WASHER, CAM LEVER STUD	103	43
	TERMINAL (#10)	3	14	12-21631	WASHER, THROTTLE CABLE		
					STUD INBOARD	17	24

PARTS INDEX

Part Number	Description	Pg.	Ref. No.	Part Number	Description	Pg.	Ref. No.
12-21631	WASHER, THROTTLE CABLE STUD STERN DRIVE	15	24	12-3332	WASHER, PULLEY AND HARMONIC BALANCER BOLT	43	20
12-22248	WASHER, SHIFT BRACKET ATTACHING SCREW	61	7	12-34567	WASHER, COUPLER TO FLYWHEEL STUD STERN DRIVE	41	14
12-22753	WASHER, SHIFT CABLE SCREW	51	36	12-34567	WASHER, HOUSING SCREW	107	27
12-22753	WASHER,SHIFT CABLE	57	32	12-34714	WASHER, ADJUSTING BRACE SCREW	27	31
12-22937	WASHER, FLAME ARRESTOR STUD	15	16	12-34714	WASHER, BRACE SCREW .	65	25
12-26168	WASHER, ALTERNATOR BRACE SCREW	5	29	12-34931	WASHER, SHIFT PLATE SCREW	101	21
12-26825	WASHER, ACTUATING ARM STUD	101	7	12-37985	WASHER, CABLE GUIDE TUBE	67	20
12-26825	WASHER, SWITCH ACTUATING ARM STUD .	63	48	12-38622	WASHER, BRACE SCREW .	65	25
12-26825	WASHER, TENSION SPRING SCREW	61	43	12-38622	WASHER, BRACKET SCREW (FOR SLOT)	65	9
12-26825	WASHER, TENSION SPRING SCREW	101	13	12-39143	WASHER, SHIFT ACTUATING CABLE STUD	103	48
12-26907	WASHER, THROTTLE CABLE SCREW	15	11	12-39143	WASHER, SHIFT CABLE STUD	101	4
12-29245	WASHER, STARTER MOTOR STUDB-50-79822A2	3	3	12-39143	WASHER, SHIFT CABLE STUD	103	51
12-30164	WASHER, CIRUCIT BREAKER SCREW	7	24	12-39143	WASHER, SHIFT CABLE TO LEVER STUD	61	4
12-30164	WASHER, GOUND CABLE SCREW	5	23	12-39143	WASHER, SHIFT LEVER STUD	61	36
12-30164	WASHER, IGNITON COIL TERMINA	11	26	12-39167	WASHER, CAMSHAFT TIMING SPROCKET BOLT	39	21
12-32552	WASHER, BEARING SUPPORT BOLT	107	31	12-42307	WASHER, BEARING SUPPORT BOLT (SPHERICAL)	107	32
12-33258	WASHER, LEATHER - COMMUTATOR END FRAME	79	23	12-45713	WASHER, RETAINING - BALL TO VALVE COVER	61	17
12-33258	WASHER, LEATHER - COMMUTATOR END FRAME	85	23	12-45713	WASHER, RETAINING - BALL TO VALVE COVER	101	36
12-33279	WASHER, PLASTIC - COVER SCREW	83	68	12-47960	WASHER, CIRCUIT BREAKER SCREW INBOARD	7	22
12-33279	WASHER, PLASTIC - COVER SCREW	89	68	12-49112	WASHER, INTAKE MANIFOLD BOLT	43	3
12-33279	WASHER, PLASTIC - COVER SCREW	93	65	12-53705	WASHER, END CAP SCREW STERN DRIVE	23	9A
12-33279	WASHER, PLASTIC - SWITCH TERMINAL STUD (#8)	83	64	12-53705	WASHER, FUEL FILTER BRACKET SCREW	13	20
12-33279	WASHER, PLASTIC - SWITCH TERMINAL STUD (#8)	89	64	12-56681	WASHER, SHIFT CABLE . . .	57	29
12-33279	WASHER, PLASTIC - SWITCH TERMINAL STUD (#8)	93	61	12-56681	WASHER, SHIFT CABLE ADAPTOR	51	33
12-33289	WASHER, BATTERY AND MOTOR TERMINAL STUD (3/8")	89	58	12-56681	WASHER, SHIFT CABLE TO BRACKET STUD	51	20
12-33289	WASHER, BATTERY AND MOTOR TERMINAL STUD (3/8") 2	83	58	12-56946	WASHER, SHIFT CABLE TO BRACKET STUD	55	15
				12-56946	WASHER, INSULATED - BRUSH HOLDER SCREW	77	38
				12-56946	WASHER, INSULATED - RECTIFIER BRIDGE ATTACHING SCREW	75	21
				12-56947	WASHER, SPONGE NEOPRENE - BATTERY TERMINAL (1 1/4" O.D.) . .	75	28

PARTS INDEX

Part Number	Description	Pg.	Ref. No.	Part Number	Description	Pg.	Ref. No.
12-56958	WASHER, GREASE SLINGER - DRIVE END FRAME	75	8	13-26993	LOCKWASHER, IGNITION COIL ATTACHING SCREW	11	31
12-59570	WASHER, REVERSE LOCK VALVE COVER	101	33	13-26993	LOCKWASHER, OIL PAN SCREW INBOARD	47	15
12-59570	WASHER, VALVE COVER . .	61	21	13-26993	LOCKWASHER, SHIFT LEVER	51	26
12-68613	WASHER, LEATHER -COMMUTATOR END FRAME	91	22	13-26993	LOCKWASHER, SHIFT LEVER	55	22
12-68614	WASHER, BEARING PLATE	79	13	13-26993	LOCKWASHER, STARTER SOLENOID TERMINAL (5/16")	7	15
12-68614	WASHER, BEARING PLATE	85	13	13-26995	LOCKWASHER, CHOKE COVER SCREW	21	62
12-68614	WASHER, BEARING PLATE	91	13	13-26995	LOCKWASHER, FIELD COIL LEAD SCREW	83	70
12-68615	WASHER, SHIFT LEVER SCREW	93	39	13-26995	LOCKWASHER, FIELD COIL LEAD SCREW	89	70
12-68615	WASHER, SHIFT LEVER STUD	81	42	13-26995	LOCKWASHER, FIELD COIL LEAD SCREW	93	67
12-68615	WASHER, SHIFT LEVER STUD	87	42	13-26995	LOCKWASHER, STARTER TERMINAL (#8)	3	10
12-86400	WASHER, FLAME ARRESTOR STUD	15	16	13-26995	LOCKWASHER, SWITCH TERMINAL STUD (#8) . . .	83	66
12-96457	WASHER, BOOT ATTACHING (PH ENOLIC)	5	24	13-26995	LOCKWASHER, SWITCH TERMINAL STUD (#8) . . .	89	66
13-20897	LOCKWASHER, DUAL ADAPTOR NUT	67	17	13-26995	LOCKWASHER, SWITCH TERMINAL STUD (#8) . . .	93	63
13-21547	LOCKWASHER, THROTTLE BODY SCREW	21	45	13-26996	LOCKWASHER, AIR HORN SCREW	19	6
13-21804	LOCKWASHER, REVERSE LOCK VALVE SCREW . . .	61	30	13-26996	LOCKWASHER, ALTERNATOR TERMINAL NUT	5	22
13-21804	LOCKWASHER, REVERSE LOCK VALVE SCREW . . .	101	42	13-26996	LOCKWASHER, BEARING BLATE SCREW	79	15
13-24669	LOCKWASEHR, FUSE - STUD NUT FUSED ENGINES	9	34	13-26996	LOCKWASHER, BEARING PLATE SCREW	85	15
13-25906	WASHER, WAVE - REVERSE LOCK VALVE	61	12	13-26996	LOCKWASHER, CAM SCREW	61	16
13-25906	WAVE WASHER, REVERSE LOCK VALVE	101	27	13-26996	LOCKWASHER, CAM SCREW	101	31
13-26991	LOCKWASHER, ALTERNATOR TERMINAL	5	24	13-26996	LOCKWASHER, CIRCUIT BREAKER TERMINAL . . .	7	18
13-26992	LOCK WASHER, COVER SCREW STERN DRIVE . .	39	13	13-26996	LOCKWASHER, GROUND CABLE SCREW	3	22
13-26992	LOCKWASHER, ALTERNATOR TERMINAL NUT	5	24	13-26996	LOCKWASHER, HARNESS ATTACHING	49	11
13-26992	LOCKWASHER, BRACKET SCREW	51	23	13-26996	LOCKWASHER, IGNITON COIL TERMINAL	11	27
13-26992	LOCKWASHER, BRACKET TO TRANSMISSION SCREW	55	14	13-26996	LOCKWASHER, OIL PRESSURE SENDER TERMINAL (#10)	3	16
13-26992	LOCKWASHER, COVER SCREW	35	4	13-26996	LOCKWASHER, RESISTOR TERMINAL STUD (#10) . .	81	54
13-26992	LOCKWASHER, COVER SCREW	109	12	13-26996	LOCKWASHER, RESISTOR TERMINAL STUD (#10) . .	87	54
13-26992	LOCKWASHER, OIL PAN SCREW INBOARD	47	13	13-26996	LOCKWASHER, STARTER SOLENOID TERMINAL (#10)	7	13
13-26992	LOCKWASHER, STARTER MOTOR STUDUSED WITH B-50-79823A1	3	3	13-26996	LOCKWASHER, SUPPORT SCREW	81	34
13-26992	LOCKWASHER, STARTER SOLENOID SCREW INBOARD	7	12				

PARTS INDEX

Part Number	Description	Pg.	Ref. No.	Part Number	Description	Pg.	Ref. No.
13-26996	LOCKWASHER, SUPPORT SCREW	87	34	13-35048	LOCKWASHER	97	12
13-26996	LOCKWASHER, SUPPORT SCREW	91	33	13-35048	LOCKWASHER, ADJUSTING BRACE SCREW	27	30
13-26996	LOCKWASHER, TERMINAL BLOCK SCREW	63	58	13-35048	LOCKWASHER, ALTERNATOR	5	32
13-26996	LOCKWASHER, WATER TEMPERATURE SENDER TERMINAL (#10)	3	13	13-35048	LOCKWASHER, ALTERNATOR BRACKET SCREW	5	36
13-29402	WAVE WASHER, SHIFT	55	28	13-35048	LOCKWASHER, BRACE SCREW	65	26
13-29402	WAVE WASHER, SHIFT CABLE	51	32	13-35048	LOCKWASHER, BRACE SCREW	65	29
13-31848	LOCKWASHER, MOUNTING BRACKET SCREW	67	25	13-35048	LOCKWASHER, BRACKET SCREW	65	8
13-32993	LOCKWASHER, BRACKET SCREW	53	3	13-35048	LOCKWASHER, BRACKET SCREW (NON METRIC)	65	21
13-32993	LOCKWASHER, CLAMPING SCREW	53	11	13-35048	LOCKWASHER, CRANKSHAFT PULLEY BOLT	43	22
13-32993	LOCKWASHER, CLAMPING SCREW	53	5	13-35048	LOCKWASHER, DRIVE PLATE SCREW INBOARD	41	20
13-32993	LOCKWASHER, CLAMPING SCREW	59	5	13-35048	LOCKWASHER, ELBOW SCREW	25	18
13-32993	LOCKWASHER, FLANGE SCREW	49	16	13-35048	LOCKWASHER, EXHAUST ELBOW TO EXHAUST MANIFOLD STUD	23	16
13-32993	LOCKWASHER, FLANGE SCREW	55	10	13-35048	LOCKWASHER, EXHAUST SEPARATOR SCREW	105	3
13-32993	LOCKWASHER, HOUSING SCREW	109	4	13-35048	LOCKWASHER, FLYWHEEL HOUSING SCREW AND STUD	109	14
13-32993	LOCKWASHER, MOUNT SCREW	109	7	13-35048	LOCKWASHER, FUEL PUMP SCREW	13	3A
13-32993	LOCKWASHER, MOUNTING BRACKET SCREW	59	3	13-35048	LOCKWASHER, LIFTING EYE SCREW INBOARD	43	6
13-32993	LOCKWASHER, PLATE SCREW	109	21	13-35048	LOCKWASHER, MOUNTING BRACKET SCREW	29	3
13-32993	LOCKWASHER, SCREW CLAMPING	59	12	13-35048	LOCKWASHER, MOUNTING BRACKET SCREW	53	9
13-32993	LOCKWASHER, STARTER MOTOR SCREW INBOARD	3	8	13-35048	LOCKWASHER, MOUNTING BRACKET SCREW	53	9
13-32993	LOCKWASHER, TRANSMISSION SCREW	55	3	13-35048	LOCKWASHER, MOUNTING BRACKET SCREW	59	10
13-32993	LOCKWASHER, TRANSMISSION SCREW AND STUD	49	4	13-35048	LOCKWASHER, MOUNTING BRACKET SCREW INBOARD	7	6
13-33253	LOCKWASHER, RESISTOR TERMINAL STUD (#10)	93	51	13-35048	LOCKWASHER, SEPARATOR SCREW	25	27
13-33309	LOCKWASHER, FAN AND PULLEY NUT	75	2	13-35048	LOCKWASHER, STARBOARD MOUNTING BRACKET SCREWS	95	6
13-34383	LOCKWASHER, CONDENSER LEAD TERMINAL ATTACHING SCREW	77	33	13-35048	LOCKWASHER, STEERING PUMP SCREW (NON METRIC)	65	5
13-34383	LOCKWASHER, DIODE TRIO TO RECTIFIER BRIDGE TERMINAL	75	23	13-35048	LOCKWASHER, TRANSMISSION FLANGE SCREW	49	16
13-34383	LOCKWASHER, GROUND BRUSH HOLDER SCREW	75	26	13-35048	LOCKWASHER, WATER PUMP BRACKET SCREW	27	24
13-34383	LOCKWASHER, INSULATED BRUSH HOLDER SCREW	77	37				

PARTS INDEX

Part Number	Description	Pg.	Ref. No.	Part Number	Description	Pg.	Ref. No.
13-35048	LOCKWASHER, WATER PUMP BRACKET SCREW	97	6	13-40024008	LOCKWASHER, BRACKET SCREW (NETRIC)	65	21
13-35048	LOCKWASHER, WATER PUPMP BRACKET SCREW	97	4	13-40024008	LOCKWASHER, STEERING PUMP SCREW(METRIC)	65	5
13-35208	LOCKWASHER, RETAINER PLATE SCREW	75	11	13-58643	LOCKWASHER, EXHAUST ELBOW SCREW	105	9
13-35208	LOCKWASHER, SCREEN SCREW	77	47	13-68102	LOCKWASHER, MOUNTING BRACKET	29	6
13-35208	LOCKWASHER, SCREEN SCREW	77	47	13-68102	LOCKWASHER, MOUNTING BRACKET	53	14
13-37459	LOCKWASHER, ADJUSTING SCREW	67	27	13-68102	LOCKWASHER, MOUNTING BRACKET	59	15
13-37459	LOCKWASHER, BATTERY TERMINAL STUD (3/8")	83	60	13-68611	LOCKWAHER, BEARING PLATE SCREW	91	15
13-37459	LOCKWASHER, BATTERY TERMINAL STUD (3/8")	89	60	14-66658	TAB WASHER, BASE NUT	53	17
13-37459	LOCKWASHER, BATTERY TERMINAL STUD (3/8)	93	57	14-66658	TAB WASHER, ENGINE MOUNT BASE	59	18
13-37459	LOCKWASHER, CLAMPING SCREW	67	14	16-25734	STUD, FLAME ARRESTOR MOUNTING-CARBURATOR	15	2
13-37459	LOCKWASHER, FLYWHEEL HOUSING SCREW	35	5A	16-32808	STUD, COUPLER TO FLYWHEEL STERN DRIVE	41	13
13-37459	LOCKWASHER, FLYWHEEL HOUSING SCREW (3/8")	33	5	16-33262	STUD, SWITCH TERMINAL (8-32)	83	62
13-37459	LOCKWASHER, RISER TO EXHAUST ELBOW STUD	59	--	16-33262	STUD, SWITCH TERMINAL (8-32)	89	62
13-37459	LOCKWASHER, THERMOSTAT HOUSING AND COVER SCREW	95	15	16-33262	STUD, SWITCH TERMINAL (8-32)	93	59
13-37459	LOCKWASHER, THERMOSTAT HOUSING SCREW	25	6	16-33299	STUD, MOTOR TERMINAL (3/8-16)	83	56
13-37459	LOCKWASHER, WATER PUMP BRACE TO BRACKET SCREW	97	9	16-33299	STUD, MOTOR TERMINAL (3/8-16)	89	56
13-39107	JLOCKWASHER, SHIFT BRACKET ATTACHING SCREW	63	54	16-33299	STUD, MOTOR TERMINAL (3/8-16)	93	53
13-39107	LOCKWASHER, ALTERNATOR BRACE SCREW	5	28	16-33304	STUD, RESISTOR TERMINAL (10-32)	81	52
13-39107	LOCKWASHER, CARBURETOR MOUNTING SCREW	59	--	16-33304	STUD, RESISTOR TERMINAL (10-32)	87	52
13-39107	LOCKWASHER, CLIP SCREW INBOARD	47	24	16-33304	STUD, RESISTOR TERMINAL (10-32)	93	49
13-39107	LOCKWASHER, COER SCREW STERN DRIVE	39	15	16-34521	STUD, ROCKER VALVE ARM (.013 O.S.)	37	18
13-39107	LOCKWASHER, WATER PUMP PULLEY SCREW	27	21	16-34522	STUD, ROCKER VALVE ARM (.003 O.S.)	37	18
13-39107	LOCKWASHER, WATER PUMP PULLEY SCREW	43	15	16-35342	STUD, WATER PUMP TO CYLINDER BLOCK	43	12
13-39107	LOCKWASHER, WATER PUMP PULLEY SCREW	99	52	16-35897	STUD, THROTTLE CABLE TO BRACKET (1 11/16")STERN DRIVE	15	23
13-39107	WASHER, OIL PAN SCREW STERN DRIVE	47	13	16-38525	STUD, CABLE TO BRACKET(1 5/8")INBOARD	17	23
13-39131	LOCKWASHER, FLYWHEEL SCREW	41	16	16-45536	STUD BATTERY TERMINAL (3/8-16)	93	54
				16-45536	STUD, BATTERY TERMINAL (3/8-16)	83	57
				16-45536	STUD, BATTERY TERMINAL (3/8-16)	89	57
				16-45715	STUD, SHIFT CONTROL LEVER TO CAM LEVER (23/32")	61	26

PARTS INDEX

Part Number	Description	Pg.	Ref. No.	Part Number	Description	Pg.	Ref. No.
16-46857	STUD, CARBURETOR MOUNTING (1 7/8")	59	--	16-79661	STUD, SHIFT CABLE TO BRACKET (1 3/4")	61	2
16-48268	STUD, SHIFT LEVER TO DRIVE END HOUSING	81	41	16-88294	STUD, STARTER MOTOR USED WITH B-50-79822A2	3	2
16-48268	STUD, SHIFT LEVER TO DRIVE END HOUSING	93	38	17-24198	PIN, PLUNGER TO SHIFT LEVER	81	45
16-48680	STUD, SHIFT CABLE ADAPTOR	51	29	17-24198	PIN, PLUNGER TO SHIFT LEVER	93	42
16-48680	STUD, SHIFT CABLE ADAPTOR	55	25	17-24813	PIN, DOWEL - CAMSHAFT TIMING SPROCKET (1/4"DIA)	39	22
16-49545	STUD, EXHAUST MANIFOLD TO EBOW (1 3/4")	23	2	17-24813	PIN, DOWEL - CRANKCASE FRONT END COVER AND OIL PUMP	41	--
16-49545	STUD, EXHAUST ELBOW TO RISER (1 3/4")	59	--	17-24813	PIN, DOWEL - REAR CRANKSHAFT BEARING CAP (1/4"DIA)	41	5
16-52387	STUD, STARTER MOTOR USED WITH B-50-79823A1	3	2	17-33257	PIN, DOWEL - FIELD FRAME TO DRIVE END HOUSING	81	37
16-52988	STUD, EXHAUST MANIFOLD TO EXHAUST ELBOW (3 1/2")	97	20	17-33257	PIN, DOWEL - FIELD FRAME TO DRIVE END HOUSING	87	37
16-55109	STUD, ADAPTOR- POWER STEERING VALVE	67	12	17-33257	PIN, DOWEL-FIELD FRAME TO DRIVE END HOUSING	91	36
16-57921	STUD, TRANSMISSION TO ENGINE (4")	49	3	17-33280	PIN, GROUND AND INSULATED HOLDER TO SUPPORT	81	31
16-60607	STUD, MANIFOLD TO RISER (2 1/4")	59	--	17-33280	PIN, GROUND AND INSULATED HOLDER TO SUPPORT	87	31
16-63081	STUD, SHIFT CABLE TO LEVER	61	34	17-35465	PIN, DOWEL - CYLINDER BLOCK TO CYL HEAD (5/16"DIA)	39	5
16-63081	STUD, SHIFT CABLE TO LEVER	103	46	17-45535	PIN, GROUND AND INSULATED HOLDER TO SUPPORT	91	30
16-63332	STUD, CARBURATOR MOUNTING(1 9/32") INBOARD	15	6	17-52798	PIN, CLEVIS- STEERING CABLE AND CLEVIS ATTACHING	69	36
16-63335	STUD, SHIFT ACTUATING CABLE TO SHIFT CONTROL LEVER (2")	103	47	17-79207	PIN, PLUNGER TO SHIFT LEVER	81	45
16-63335	STUD, SHIFT CABLE TO SHIFT LEVER	61	38	17-79207	PIN, PLUNGER TO SHIFT LEVER	87	45
16-64066	STUD, FLYWHEEL HOUSING (2-1/4")	109	17	18-32857	COTTER PIN, SHIFT ACTUATING CABLE TO ACTUATING ARM	63	45
16-64066	STUD, FLYWHEEL HOUSING TO BLOCK	33	6	18-32857	COTTER PIN, SHIFT CABLE	101	14
16-66203	STUD, GUARD TO INTAKE MANIFOLD	43	7	18-46950	COTTER PIN, CLEVIS PIN RETAINING	69	37
16-70236	STUD, CARBURATOR MOUNTING(1 1/2") STERN DRIVE	15	6	19-33041	WELCH PLUG, CHOKE HOUSING	21	58
16-70237	STUD, CARBURATOR MOUNTING (2 3/4") STERN DRIVE	15	6	19-34270	PLUG, EXPANSION - CYLINDER BLOCK (1 5/8"DIA)	39	4
16-73563	STUD, SWITCH ACTUATING ARM TO SHIFT BRACKET (2 5/16")	61	3	19-35308	PLUG, EXPANSION - CYLINDER BLOCK (1 1/4")	39	2
16-73563	SUUD, ACTUATING SWITCH	101	3	19-59504	PLUG, IMPELLER	27	9
16-78818	STUD, CARBURATOR MOUNTING(2 1/2") INBOARD	15	6	19-59504	PLUG, IMPELLER	99	46
16-78819	STUD, CARBURATOR MOUNTING(2 1/2") INBOARD	15	6	19-71900	PLUG, OIL LEVEL GAUGE HOLE 0 CYLINDER BLOCK (INBOARD)	39	23
16-79661	STUD, SHIFT CABLE	101	2				

PARTS INDEX

Part Number	Description	Pg.	Ref. No.	Part Number	Description	Pg.	Ref. No.
19-93921	EXPANSION PLUG	107	13	22-52644	PIPE PLUG, REVERSE LOCK VALVE	101	26
20-72961	BALL BEARING, WATER PUMP SHAFT	27	13	22-52644	PLUG, PIPE - REVERSE LOCK VALVE	61	24
22-20025	PLUG, PIPE - FUEL FILTER (SLOTTED)	13	12	22-63067	TEE, FITTING	95	16
22-32802	PLUG, EXHAUST ELBOW RISER	59	--	22-63824	ELBOW, HOSE TO TRANSMISSION (90 DEGREES)	49	18
22-32802	PLUG, PIPE (FOR WATER PUMP BODY)	27	35	22-63824	ELBOW, HOSE TO TRANSMISSION (90 DEGREES)	55	4
22-32876	NIPPLE, SIGHT GLASS TO FUEL PUMP	13	8	22-63835	ELBOW, HOSE TO TRANSMISSION (45 DEGREE)	49	6
22-32892	PLUG, PIPE-EXHAUST ELBOW	23	12	22-67305	FITTING, GREASE- POWER STEERING VALVE	67	11A
22-32892	PLUG, PIPE-EXHAUST MANIFOLD	23	4	22-72640	PLUG, EXPANSION 0 CYLINDER BEARING HOLE	39	6
22-33198A1	PLUG, EXHAUST ELBOW	23	13	22-73676	NIPPLE, OIL PRESSURE SENDER	3	19
22-33198A1	PLUG, PIPE	25	4	22-74036	GREASE FITTING	107	11
22-33821	ELBOW, FUEL LINE TO FUEL PUMP AND FUEL FILTER	13	17	22-74036	GREASE FITTING	107	15
22-36305	ELBOW, EXHAUST RISER	59	--	22-74036	GREASE FITTING	107	4
22-36373	PLUG, PIPE-OIL PAN DRAIN INBOARD	47	10	22-74036	GREASE FITTING	109	2
22-36382	PLUG, PIPE -FUEL FILTER (EARLY MODELS)	13	12	22-87238	DRAIN COCK, CYLINDER BLOCK	39	3
22-37760	ELBOW, OIL COOLER	65	18	23-31866	SPACER, SHIFT CABLE STUD	101	5
22-39072	PLUG, WATER PUMP BODY	99	53	23-31866	SPACER, SHIFT LEVER STUD	61	35
22-45084	FITTING, EXHAUST ELBOW	23	18	23-31866	SPACER, THROTTLE CABLE STUD STERN DRIVE	17	25
22-45794	ELBOW, HUDRAULIC TRIM HOSE TO REVERSE LOCK VALVE	61	9	23-33186	BUSHING, ALTERNATOR TO BRACKET SCREW	5	38
22-45794	ELBOW, REVERSE LOCK VALVE	101	24	23-33278	BUSHING, DRIVE END HOUSING (1 11/16")	91	2
22-46932	ELBOW, OIL PRESSURE SENDER	3	18	23-33369	BUSHING, DRIVE END HOUSING	79	2
22-47540	PLUG, ALLEN HEAD	25	3	23-33369	BUSHING, DRIVE END HOUSING	85	2
22-47540	PLUG, PIPE - THERMOSTAT HOUSING	95	9	23-33369	BUSHING, GEAR END - CLUTCH DRIVE (1 9/16")	79	7
22-47625	ELBOW, OIL LEVEL GAUGE TO OIL PAN INBOARD	47	19	23-33369	BUSHING, GEAR END - CLUTCH DRIVE (1 9/16")	85	7
22-47629	ELBOW, HOSE TO OIL COOLER	49	8	23-33369	BUSHING, GEAR END- CLUTCH DRIVE (1 1/16")	91	7
22-47629	ELBOW, HOSE TO OIL COOLER (90 DEGREES)	55	19	23-36183	RETAINER, OIL PUMP SHAFT	47	5
22-47629	ELBOW, HOSE TO TRANSMISSION (90 DEGREE)	49	6	23-36365	SPACER, BRACKET SCREW (NON METRIC)	65	22
22-47629	ELBOW, HOSE TO TRANSMISSION (90 DEGREES)	49	18	23-36365	SPACER, OIL COOLER BRACKET	35	13
22-48118	PLUG, EXHAUST MANIFOLD	23	3	23-36534	SPACER, ALTERNATOR BRACE	5	31&32
22-48167	CONNECTOR, ELBOW	61	10	23-36534	SPACER, STEERING PUMP SCREW(NON METRIC)	65	6
22-48340	PLUG, PIPE - CYLINDER BLOCK (1/4"DIA)	39	-	23-37981	SPACER, ACTUATING ARM STUD	101	8
22-48358	PLUG, INTAKE MANIFOLD VACUUM HOLE	15	5				
22-49719	CONNECTOR, ELBOW	101	25				

PARTS INDEX

Part Number	Description	Pg.	Ref. No.	Part Number	Description	Pg.	Ref. No.
23-45600	SLEEVE, SWITCH ACTUATING ARM STUD	63	46	23-85704	BEARING UNIT (PAIR), CONNECTING ROD (.010 U.S.)	41	24
23-45600	SLEEVE, SWITCH ACTUATING STUD	101	10	23-85705	BEARING UNIT (PAIR), CONNECTING ROD (.020 U.S.)	41	24
23-46742	SPACER, RUBBER MOUNT - FLYWHEEL HOUSING	33	3	23-90520	SPACER, BRACKET SCREW (METRIC)	65	22
23-47508	SLEEVE, THERMOSTAT HOUSING	95	10	23-90523	SPACER, STEERING PUMP SCREW(METRIC)	65	6
23-47511	SLEEVE, THERMOSTAT HOUSING	25	2	23-95966	BUSHING, COUPLING	107	26
23-47511	SLEEVE, WATER (OUTLET AND INLET)	27	2	24-33050	SPRING, IDLE ADJUSTING NEEDLE	21	40
23-52020	SLEEVE, WATER DISTRIBUTION HOUSING	97	19	24-33265	SPRING, CONTACT AND PUSH ROD TENSION	81	50
23-52216	BEARING UNIT, CRANKSHAFT MAIN - REAR (.020 U.S.)	41	4	24-33265	SPRING, CONTACT AND PUSH ROD TENSION	87	50
23-57938	BUSHING, THROTTLE CABLE SCREW	15	13	24-33265	SPRING, CONTACT AND PUSH ROD TENSION	93	47
23-60652	SLEEVE, ADJUSTING-CABLE GUIDE TUBE	67	15A	24-33285	SPRING, FIELD FRAME BRUSH	81	36
23-60773	SLEEVE, ADJUSTING-CABLE GUIDE TUBE	67	15	24-33285	SPRING, FIELD FRAME BRUSH	87	36
23-61998	SPACER, CIRCUIT BREAKER GROMMET INBOARD	7	23	24-33285	SPRING, FIELD FRAME BRUSH	91	35
23-68616	BUSHING, BEARING PLATE	91	12	24-33368	SPRING, CLUTCH DRIVE	79	8
23-71694	BUSHING, BEARING PLATE	79	12	24-33368	SPRING, CLUTCH DRIVE	85	8
23-71694	BUSHING, BEARING PLATE	85	12	24-33368	SPRING, CLUTCH DRIVE	91	8
23-72057	SPACER	97	13	24-45599	SPRING, TENSION	101	11
23-85674	BEARING SET, CAMSHAFT	39	7	24-45599	SPRING, TENSION - SWITCH ACTUATING ARM	61	44
23-85694	BEARING UNIT, CRANKSHAFT (STANDARD)	41	3	24-46889	SPRING, PLUNGER RETURN - SOLENOID SWITCH	81	46
23-85695	BEARING UNIT, CRANKSHAFT MAIN (.001 U.S.)	41	3	24-46889	SPRING, PLUNGER RETURN - SOLENOID SWITCH	87	46
23-85696	BEARING UNIT, CRANKSHAFT MAIN (.010 U.S.)	41	3	24-46889	SPRING, PLUNGER RETURN-SOLENOID SWITCH	93	43
23-85697	BEARING UNIT, CRANKSHAFT MAIN (.020 U.S.)	41	3	24-48143	SPRING, FUEL INLET-AIR HORN	19	9
23-85698	BEARING UNIT, CRANKSHAFT MAIN - REAR (STANDARD)	41	4	24-48347	SPRING, VALVE (INLET)	37	9
23-85699	BEARING UNIT, CRANKSHAFT MAIN - REAR (.001 U.S.)	41	4	24-56943	SPRING, TENSION - BRUSHES	77	35
23-85700	BEARING UNIT, CRANKSHAFT MAIN - REAR (.010 U.S.)	41	4	24-72642	SPRING, VALVE (EXHAUST) - SEE NOTE BELOW	37	9
23-85701	BEARING SET (4 PAIR), CONNECTING ROD (STANDARD)	41	24	24-78498	SPRING, TORSION - MOUNTING TUBE	67	32A
23-85702	BEARING UNIT (PAIR), CONNECTING ROD (.001 U.S.)	41	24	25-25439	"O" RING	107	22
23-85703	BEARING UNIT (PAIR), CONNECTING ROD (.002 U.S.)	41	24	25-35029	"O" RING	105	4
				25-35029	"O" RING, EXHAUST ELBOW TO TRANSOM PLATE	25	21
				25-37340	"O" RING, PUMP HOUSING TO INNER WEAR PLATE	97	35
				25-45710	"O" RING, REVERSE LOCK VALVE	61	13
				25-45710	"O" RING, REVERSE LOCK VALVE	101	28
				25-45711	"O" RING, VALVE COVER	61	20
				25-45711	"O" RING, VALVE COVER	101	34

PARTS INDEX

Part Number	Description	Pg.	Ref. No.	Part Number	Description	Pg.	Ref. No.
25-59712	"O" RING, WATER PUMP			27-48818	GASKET, THERMOSTAT		
	BODY COVER	27	5		HOUSING - UPPER	95	13
25-61999	GROMMET, CIRCUIT			27-49955	GASKET, OIL PAN/DRAIN		
	BREAKER SCREW				SCREW STERN DRIVE . . .	47	11
	INBOARD	7	21	27-52076	GASKET, ELBOW TO		
25-68618	GROMMET, FIELD COIL-				MANIFOLD	23	14
	FIELD FRAME			27-52076	GASKET, ELBOW TO RISER	59	--
	(RECTANGLE)	91	19	27-52076	GASKET, EXHAUST		
25-68619	GROMMET, FIELD COIL -				MANIFOLE TO EXHAUST		
	FIELD FRAME	79	20		ELBOW	97	21
25-68619	GROMMET, FIELD COIL -			27-52184	GASKET, DISTRIBUTOR . . .	11	19
	FIELD FRAME	85	20	27-52202	GASKET, ROCKER VALVE		
25-68619	GROMMET, FIELD COIL-				COVER	37	4
	FIELD FRAME (ROUND) . .	91	19	27-53045	GASKET, THERMOSTAT		
25-79208	GROMMET, FIELD COIL -				HOUSING	25	7
	FIELD FRAME	79	20	27-53045	GASKET, THERMOSTAT		
25-79208	GROMMET, FIELD COIL -				HOUSING TO MANIFOLED	95	11
	FIELD FRAME	85	20	27-56960	GASKET, DRIVE END		
26-23300	OIL SEAL, WATER PUMP				FRAME SCREEN	75	13
	SHAFT	27	12	27-70143	GASKET, CARBURATOR(2		
26-23300	OIL SEAL, WATER PUMP				USED ON INBOARD)	15	4
	SHAFT	97	38	27-71614	GASKET, PRESSURE CAP . .	95	26
26-33348	SEAL, SLIP RING END			27-72637	GASKET SET, INTAKE		
	FRAME	77	43		MANIFOLD	43	9
26-33395	GASKET, EXHAUST			27-72779	GASKET, COVER TO OUTER		
	MANIFOLD TO CYLINDER				WEAR PLATE	97	32
	HEAD	23	5	27-72780	GASKET, WATER PUMP		
26-34217	SEAL, VALVE	37	8		BODY TO WEAR PLATE . .	97	30
26-35313	OIL SEAL, REAR			27-73814	GASKET, END CAP TO		
	CRANKSHAFT BEARING				EXHAUST MANIFOLE	59	--
	CAP (R.H. ROTATION) . . .	41	6	27-73814	GASKET, END CAP TO		
26-58203	OIL SEAL, REAR				XHAUST MANIFOLD	97	26
	CRANKSHAFT BEARING			27-75611	GASKET, CYLINDER HEAD . .	37	19
	CAP (L.H. ROTATION) . . .	41	6	27-85817A1	GASKET SET, OIL PAN		
26-72785	OIL SEAL, WATER PUMP				PORT MOUNTED		
	SHAFT	27	16		DIPSTICK	47	9
26-72785	OIL SEAL, WATER PUMP			27-86015	GASKET, FLYWHEEL		
	SHAFT	99	42		HOUSING COVER	109	10
26-93924	OIL SEAL	107	8	27-90458A1	GASKET SET, OIL PAN		
26-97335	OIL SEAL, CRANKCASE				STBD. MOUNTED		
	FRONT COVER	43	28		DIPSTICK	47	9
26-97664	SEAL, INTAKE VALVE - NOT			28-34466	KEY, RANKSHAFT PULLEY		
	USED ON ALL ENGINES . .	37	8		AND BALANCER	41	26
27-34213	GASKET, FUEL PUMP TO			28-54797	KEY, VALVE STEM	37	13
	CYLINDER BLOCK	13	2	28-56662	KEY, IMPELLER DRIVE	27	11
27-34895	GASKET, CRANKCASE			28-56662	KEY, IMPELLER DRIVE	99	45
	FRONT END COVER	45	29	30-45712	BALL, VALVE COVER	61	18
27-34897	GASKET, WATER PUMP			30-45712	BALL, VALVE COVER	101	35
	MOUNTING	43	11	30-56955	BALL BEARING, DRIVE END		
27-34898	UEL PUMP MOUNTING				FRAME	75	7
	PLATE	13	5	30-62780A1	BALL BEARING	107	24
27-47510	GASKET THERMOSTAT -			30-72961	BEARING, WATER PUMP		
	MIDDLE	95	12		SHAFT	99	40
27-48042	GASKET, FACE PLATE TO			30-93944A1	BALL BEARING	107	9
	EXHAUST ELBOW AND			31-56937	ROLLER BEARING, SLIP		
	MANIFOLD	95	22		RING END FRAME	77	42
27-48043	GASKET, END			31-60690	ROLLER BEARING, SLIP		
	CAP/CONNECTOR TO				RING END FRAME	77	42
	EXHAUST MANIFOLD . . .	23	8				

PARTS INDEX

Part Number	Description	Pg.	Ref. No.	Part Number	Description	Pg.	Ref. No.
32-47516--9	HOSE, OIL COOLER TO TRANSMISSION (37")	55	5	32-73815--2	TUBING, SIGHT PUMP TO CARBURETOR	13	1A
32-47516--9	HOSE, TRANSMISSION TO OIL COOLER (37")	49	7	32-76847A1	HOSE ASS'Y, HOUSING TO TRANSOM (NON-POWER STEERING)	25	13
32-47516-10	HOSE, TRANSMISSION TO OIL COOLER (33")	55	18	32-77395	FUEL LINE, FUEL PUMP TO CARBURATOR(STERN DRIVE)	13	19
32-47516-11	HOSE, TRANSMISSION TO OIL COOLER (28")	49	7	32-77479A1	HOSE ASS'Y, HOUSING TO TRANSOM (POWER STEERING) STERN DRIVE	25	13
32-47516-12	HOSE, TRANSMISSION TO OIL COOLER (20")	49	7	32-78574	FUEL LINE, FUEL PUMP TO CARBURATOR(INBOARD)	13	19
32-48132	HOSE, THERMOSTAT HSG. TO EXH. MAN. (STBD) POWER STEERING	31	4	32-90494	HOSE, PRESSURE- POWER STEERING (60")-METRIC	67	5
32-48132	HOSE, THERMOSTAT HSG. TO EXH. MAN. - NON- POWER ST.	31	4	32-93315-12	HOSE, VENT-CARBURATOR(12 1/2")	15	18
32-48659--4	HOSE, EXHAUST	105	10	32-93499	HOSE, THERMOSTAT HSG. O EXH. MAN. (PORT) POWER STEERING	31	4
32-49044	HOSE, WATER PUMP TO THERMOSTAT HOUSING	97	14	32-97384	FUEL LINE, FILTER TO PUMP(USE WITH SIGHT TUBE)	13	18
32-55112	TUBE, CABLE GUIDE	67	19	33-59571	SPARK PLUG (AC#MR43T)	11	33
32-55116	HOSE, PRESSURE- POWER STEERING (60")-NON METRIC	67	5	35-53336	FILTER, FUEL INLET-AIR HORN	19	8
32-55483	HOSE, TEE TO EXHAUST ELBOW (18 1/2")	95	19	35-56962	SCREEN, COVER	77	45
32-57230	HOSE, MOLDED-WATER PUMP TO TRANSMISSION COOLER	27	36	35-60494A5	FUEL FILTER	13	10
32-57633	TUBE, EXTENDING- POWER STEERING	67	9	35-60696	SCREEN, COVER	77	45
32-57634	TUBE, RETRACTING- POWER STEERING	67	10	36-55143	CAP, PRESSURE - HEAT EXCHANGER	95	2
32-57776	HOSE, THERMOSTAT HOUSING TO MANIFOLD (STARBOARD)	95	24	37-77254	DECAL, ROCKER COVER (WAVES)	37	-
32-57777	HOSE, THERMOSTAT HOUSING TO MANIFOLD (PORT)	95	23	37-77255	DECAL, ROCKER COVER (WAVES) INBOARD	37	-
32-62010	HOSE, HEAT EXCHANGER TO TEE (23 1/2")	95	17	37-77552	DECAL, HORSEPOWER (198 H.P.) - STARBOARD STERN DRIVE	37	-
32-65231	HOSE, RETURN- OIL COOLER TO HYRAULIC PUMP (40")	67	3A	37-77558	DECAL, HORSEPOWER (198 H.P.) INBOARD	37	-
32-65929	HOSE, RETURN-VALVE TO OIL COOLER (32")	67	3	37-79121	DECAL, HORSEPOWER (198 H.P.) - PORT STERN DRIVE	37	-
32-71325	FUEL, FILTER TO PUMP (USE WITH SIGHT GLASS)	13	18	39-75609	RING, PISTON - 8 SETS (STANDARD)	41	2
32-71613	HOSE, THERMOSTAT HOUSING TO PS OIL COOLER INBOARD	31	5	39-75981	RING, PISTON - 8 SETS (.030 O.S.)	41	2
32-72539	TUBE, OIL LEVEL GAUGE (UPPER)	47	17	43-35338	SPROCKET, CAMSHAFT TIMIMG (44TEETH) L.H. ROTATION	39	18
32-73794	HOSE, THERMOSTAT HSG. TO EXHAUST MAN. (STBD.)	31	3	43-48334	GEAR, TIMING - CRANKSHAFT R.H. ROTATION	39	19
32-73795	HOSE, THERMOSTAT HSG. TO EXHAUST MAN. (PORT)	31	3	43-48338	SPROCKET, CAMSHAFT TIMIMG L.H. ROTATION	39	19
32-73796	HOSE, THERMOSTAT COVER TO EXH. ELBOW	31	1&2	43-48356	GEAR, TIMING - CAMSHAFT R.H. ROTATION	39	18
				45-94819A3	DRIVE SHAFT ASSEMBLY	107	1
				46-71497A2	PUMP HOUSING	97	37
				46-72774A11	WATER PUMP ASSEMBLY	97	29

PARTS INDEX

Part Number	Description	Pg.	Ref. No.	Part Number	Description	Pg.	Ref. No.
46-73823A7	WATER PUMP ASSEMBLY (PLASTIC BODY)	27	1	53-23720	RING, SNAP - BALL BEARING RETAINING . . .	99	41
47-59362A1	IMPELLER ASSEMBLY	27	10	53-23720	RING, SNAP-BALL BEARING RETAINER	27	15
47-59362A1	IMPELLER ASSEMBLY	99	44	53-33290	RING, RETAINING - PINION STOP COLLAR	79	4
50-65784A1	STARTER MOTOR ASSEMBLY (INBOARD - L.H. ROT.) (DELCO REMY #11	3	1	53-33290	RING, RETAINING - PINION STOP COLLAR	85	4
50-65784A1	STARTER MOTOR ASSEMBLY, COMPLETE . .	91	-	53-33290	RING, RETAINING-PINION STOP COLLAR	91	4
50-65785A1	STARTER MOTOR ASSEMBLY (INBOARD - R.H. ROT.) (DELCO REMY #11	3	1	53-33354	RING, RETAINING - SHIFT LEVER SHAFT	81	40
50-65785A1	STARTER MOTOR ASSEMBLY, COMPLETE . .	91	-	53-33354	RING, RETAINING - SHIFT LEVER SHAFT	87	40
50-76965A1	STARTER MOTOR ASSEMBLY, COMPLETE . .	79	-	53-93914	SNAP RING, BALL BEARING	107	10
50-76965A1	STARTER MOTOR ASSEMBLY, COMPLETE . .	81	-	53-93915	SNAP RING, INPUT SHAFT .	107	14
50-76965A3	STARTER MOTOR ASSEMBLY, COMPLETE . .	85	-	53-94103	SNAP RING, EXTERNAL . . .	107	29
50-76965A3	STARTER MOTOR ASSEMBLY, COMPLETE . .	87	-	53-94104	SNAPRING, BALL BEARING, INTERNAL	107	23
50-77328A1	STARTER MOTOR ASSEMBLY, COMPLETE . .	79	-	54-31765	CLAMP, BELLOW TO EXHAUST ELBOW (LOWER)	25	20
50-77328A1	STARTER MOTOR ASSEMBLY, COMPLETE . .	81	-	54-31765	CLAMP, EXHAUST BELLOWS	105	16
50-79604A1	STARTER MOTOR ASSEMBLY, COMPLETE . .	79	-	54-31765	CLAMP, HEAT EXCHANGER TO MOUNTING BRACKETS	95	7
50-79604A1	STARTER MOTOR ASSEMBLY, COMPLETE . .	81	-	54-32780	CLAMP, HOSE ATTACHING	27	37
50-79604A3	STARTER MOTOR ASSEMBLY, COMPLETE . .	85	-	54-32780	CLAMP, HOSE ATTACHING (POWER STEERING)	25	15
50-79604A3	STARTER MOTOR ASSEMBLY, COMPLETE . .	87	-	54-32780	CLAMP, HOSE ATTACHING INBOARD	31	6
50-79821A2	STARTER MOTOR ASSEMBLY, COMPLETE . .	85	-	54-32780	CLAMP, HOSE TO HEAT EXCHANGER AND TEE . .	95	18
50-79822A1	STARTER MOTOR ASSEMBLY, COMPLETE . .	79	-	54-32780	CLAMP, HOSE TO TEE AND EXHAUST MANIFOLD . . .	95	20
50-79822A1	STARTER MOTOR ASSEMBLY, COMPLETE . .	81	-	54-32780	CLAMP, HOSE TO WATER PUMP AND THERMOSTAT HOUSING	97	23
50-79822A2	STARTER MOTOR ASSEMBLY (STERN DRIVE) (DELCO REMY #1109488)	3	1	54-32781	CLAMP, HOSE TO THERMOSTAT HOUSING AND WATER PUMP	25	12
50-79822A2	STARTER MOTOR ASSEMBLY, COMPLETE . .	85	-	54-32781	CLAMP, OIL COOLER TO BRACKET	35	9
50-79822A2	STARTER MOTOR ASSEMBLY, COMPLETE . .	87	-	54-32781	CLAMP, OIL COOLER TO BRACKET	65	12
50-79823A1	STARTER MOTOR ASSEMBLY (STERN DRIVE) (DELCO REMY #1109489)	3	1	54-33036	RETAINER, CHOKE COVER SCREW	21	64
50-79823A1	STARTER MOTOR ASSEMBLY, COMPLETE . .	79	-	54-33307	CLIP, SWITCH TERMINAL STUD	83	63
50-79823A1	STARTER MOTOR ASSEMBLY, COMPLETE . .	81	-	54-33307	CLIP, SWITCH TERMINAL STUD	89	63
				54-33307	CLIP, SWITCH TERMINAL STUD	93	60
				54-33329	CLIP, TERMINAL - STATOR LEADS	75	16
				54-33683	CLAMP, BELLOW TO EXHAUST ELBOW (UPPER)	25	20
				54-33683	CLAMP, EXHAUST HOSE . .	105	11

PARTS INDEX

Part Number	Description	Pg.	Ref. No.	Part Number	Description	Pg.	Ref. No.
54-35830	CLAMP, RETURN HOSE TO HYDRAULIC PUMP	67	4	85-79695	BOOT, INSULATOR - FUSE STUD FUSED ENGINES	9	33
54-39108	CLIP, IDLE STOP SCREW	21	42	86-66986	TERMINAL BLOCK	101	16
54-47512	EYE, LIFTING INBOARD	43	4	86-66986	TERMINAL BLOCK, SHIFT BRACKET	63	55
54-47528	CLAMP, ADJUSTING TRUNNION SCREW	59	6	86-70879	TERMINAL, CHOKE COVER SCREW	21	63
54-47545	CLIP, OIL LEVEL TUBE INBOARD	47	22	88-65093	CIRCUIT BREAKER (SERIAL #4887829 AND BELOW)	7	17
54-47715	CLAMP, HOSE ATTACHING NON POWER STEERING	25	14	88-79023A55	FUSE ASSEMBLY, 55 AMP FUSED ENGINES	9	31
54-47715	CLIP, HOSE ATTACHING	97	22	88-79023A90	FUSE ASSEMBLY, 90 AMP FUSED ENGINES	9	31
54-48120	BELT, DRIVE (46")	43	23	89-68258	STARTER SOLENOID INBOARD	7	9
54-53101	CLAMP, VENT HOSE ATTACHING	15	19	89-76416A1	STARTER SOLENOID STERN DRIVE	7	9
54-55098	"J" CLIP (USED WIT B-84-86676A2)	7	8	92-38927--1	LOCTITE, CAPSULE - WATER INTAKE TO TRANSOM SCREWS	97	-
54-56933	CLIP, SHORTING - VOLTAGE REGULATOR	77	40	222-6355	FLYWHEEL ASSEMBLY (L.H. ROTATION)	41	11
54-56953	CLIP, GROUND - THRU BOLT	77	49	230-4614	FLYWHEEL ASSEMBLY (R.H. ROTATION)	41	11
54-64324	CLAMP, HOSE ATTACHING TO OIL COOLER	65	13	390-7000	COVER ASSEMBLY, FRONT ROTOR ASSEMBLY	73	7
54-64489	CLAMP, HOSE ATTACHING "J" CLIP, WIRING HARNESS INBOARD	25	14	390-7001	ROTOR ASSEMBLY	73	16
54-73668	"J" CLIP, WIRING HARNESS INBOARD	9	30	390-7002	STATOR ASSEMBLY	73	10
54-78944	"J" CLIP, WIRING HARNESS INBOARD	7	30	390-7003	COVER ASSEMBLY, REAR	73	22
54-78945	"J" CLIP, WIRING HARNESS	7	30	390-7004	FAN, DRIVE END FRAME	73	4
54-92084	CLIP, DIPSTICK TUBE TO EXHAUST MANIFOLD	47	--	390-7005	BALL BEARING, DRIVE END FRAME AND ROTOR SHAFT	73	8
54-92850	J CLAMP, FLYWHEEL HOUSING SCREW	109	16	390-7006	RETAINER, DRIVE END BALL BEARING	73	9
57-74271	BELT, WATER PUMP	27	34	390-7007	RETAINER, ROTOR SHAFT BEARING	73	21
57-74271	BELT, WATER PUMP	99	54	390-7008	DIODE TRIO	73	35
57-77274	V-BELT, PUMP (39 1/2") -LOW MOUNTED P/S PUMP	65	1	390-7009	DIODE RECTIFIER, NEGATIVE	73	11
57-91035	V-BELT, PUMP (49 1/2") -HIGH MOUNTED P/S PUMP	65	1	390-7010	HEAT SINK, POSITIVE	73	12
57-93658	BELT, DRIVE (44")-HIGH MOUNTED P/S PUMP	43	23	390-7011	BRUSH HOLDER ASSEMBLY	73	33
84-63434A1	JUMPER WIRE, 90 AMP FUSE FUSED ENGINES	9	32	390-7012	SPACER, FAN TO DRIVE END FRAME	73	5
84-65773A6	LEAD ASSEMBLY, PRIMARY TERMINAL	11	10	390-7013	GASKET, VOLTAGE REGULATOR TO ALTERNATOR	73	37
84-73125A1	HARNESS, NEUTRAL SAFETY SWITCH	49	10	390-7014	SLIP RING	73	17
84-77439	WIRING HARNESS (STERN DRIVE) (FUSED ENGINES)	7	1	390-7015	SCREW, VOLTAGE REGULATOR ATTACHING	73	39
84-78266A1	WIRING HARNESS (INBOARD)	7	1	390-7016	BOLT, THRU (3")	73	31
84-86676A2	WIRING HARNESS (STERN DRIVE)	7	1	390-7017	PULLEY, DRIVE END FRAME	73	3
84-92151A32	LEAD ASSEMBLY, DISTRIBUTOR TO COIL (5")	11	22	390-7018	SLEEVE, INSULATOR	73	14
84-92151A36	LEAD ASSEMBLY, HIGH TENSION	11	32	390-7019	SPACER, DIODE TRIO	73	36
				390-7020	SLEEVE, INSULATOR	73	13
				390-7021	NUT, CONDENSOR TERMINAL ATTACHING	73	32
				390-7022	WASHER CONDENSOR TERMINAL STUD	73	30
				390-7023	WASHER, REGULATOR TERMINAL STUD	73	24

PARTS INDEX

Part Number	Description	Pg.	Ref. No.	Part Number	Description	Pg.	Ref. No.
390-7024	WASHER, CONDENSOR TERMINAL STUD	73	25	841-6535	CYLINDER BLOCK	39	1
390-7025	NUT, TERMINAL STUD	73	26	841-6535	CYLINDER BLOCK ASSEMBLY	43	24
390-7026	NUT, TERMINAL ATTACHING	73	29	841-8161	CYLINDER BLOCK	39	1
390-7027	NUT, FAN AND PULLEY TO ROTOR	73	1	841-8161	CYLINDER BLOCK ASSEMBLY	43	24
390-7028	NUT, THRU BOLT ATTACHING	73	6	938-7482	CYLINDER HEAD ASSEMBLY SEE NOTE BELOW	37	17
390-7029	SCREW, ROTOR ASSEMBLY SHAFT (5/8")	73	20	938-8162	CYLINDER HEAD ASSEMBLY	37	17
390-7030	SCREW, BRUSH HOLDER ATTACHING (1/2")	73	34	1376-6491A1	CARBURATOR ASSEMBLY, COMPLETE	19	-
390-7032	LOCKWASHER, TERMINAL STUD	73	28	1376-6491A1	CARBURATOR(USE WITH SIGHT GLASS)	15	1
390-7033	LOCKWASHER, FAN AND PULLEY NUT	73	2	1376-8295A3	CARBURATOR(USE WITH SIGHT TUBE)	15	1
390-7034	KEY, ROTOR ASSEMBLY SHAFT	73	15	1376-8295A3	CARBURETOR ASSEMBLY .	71	-
390-7035	CONDENSOR	73	23	1397-2071	CAM, FAST IDLE-FLOAT BOWL	21	46
390-7036	VOLTAGE REGULATOR . . .	73	38	1397-2994	METERING JET AND ROD KIT	71	7
390-7206	WASHER, ROTOR ASSEMBLY SCREW	73	18	1397-3330	NUT, FUEL INLET-AIR HORN	19	7
390-7207	LOCKWASHER, ROTOR ASSEMBLY SCREW	73	19	1397-4257	CHOKE LEVER AND COLLAR ASSEMBLY, CHOKE SHAFT	21	49
390-7208	WASHER, TERMINAL STUD	73	27	1397-5832	GASKET KIT	21	--
391-5075	CAP, DISTRIBUTOR	11	2	1397-5837	FLOAT ASSEMBLY	19	12
391-5076	GASKET, DISTRIBUTOR CAP	11	3	1397-5838	CHOKE HOUSING ASSEMBLY	21	53
391-5084	PIN, CLAMP TYO DISTRIBUTOR	11	12	1397-5839	VALVE, CHOKE-CHOKE SHAFT	21	51
391-5085	CLAMP, DISTRIBUTOR CAP ATTACHING	11	11	1397-5840	CHOKE SHAFT ASSEMBLY .	21	50
391-5086	WASHER, DISTRIBUTOR CAP SCREW	11	14	1397-6364	LEVER, PUMP-AIR HORN . .	19	29
391-5087	SCREW, DISTRIBUTOR CAP ATTACHING	11	13	1397-6365	JET, FLOAT BOWL(STANDARD)	19	28
391-5089	SCREW, BREAKER ATTACHING	11	9	1397-7099	OVERHAUL KIT	21	--
391-5090	BREAKER ASSEMBLY	11	8	1397-8760	CARBURETOR REPAIR KIT .	71	12
391-5091	SCREW, BREAKER ATTACHING	11	7	1397-8761	GASKET KIT	71	13
391-5092	CONDENSER	11	5	1397-8762	AIR HORN KIT	71	1
391-5093	BRAK CET, CONDENSER ATTACHING	11	6	1397-8763	FLOAT BOWL KIT	71	2
391-6390	GEAR, DRIVE	11	17	1397-8764	THROTTLE BODY KIT	71	3
391-6391	PIN, DRIVE GEAR	11	18	1397-8765	CHOKE LINK AND LEVER KIT	71	4
391-7057	ROTOR	11	4	1397-8766	VENTURI CLUSTER KIT . . .	71	5
393-2730	BRACKET, CONDENSER . . .	77	30	1397-8767	FUEL FILTER KIT	71	8
393-2730	BRACKET, CONDENSER . . .	77	30	1397-8768	FLOAT KIT	71	9
429-6537	AFT	41	25	1397-8769	PUMP KIT	71	10
431-3357	CAMSHAFT (R.H. ROTATION)	39	16	1397-8770	NEEDLE AND SEAL KIT . . .	71	11
431-5943	CAMSHAFT (L.H. ROTATION)	39	16	1397-8771	POWER PISTON KIT	71	6
614-8164	CONNECTING ROD ASSEMBLY	41	21	1397-8772	SCREW KIT, AIR HORN/THROTTLE BODY . .	71	14
735-6538	PISTON AND PISTON PIN ASSEMBLY (.001 O.S.) . . .	41	1				
735-6616	PISTON AND PISTON PIN ASSEMBLY (.010 O.S.) . . .	41	1				
735-6617	PISTON AND PISTON PIN ASSEMBLY (.030 O.S.) . . .	41	1				