



PARTS CATALOG

250 ENGINE

SERIAL NUMBER

250 GM 350 V-8 1977 4768000 THRU 4908849

TABLE OF CONTENTS:

CARBURETOR AND AUTOMATIC CHOKE	10
CARBURETOR ASSEMBLY, COMPLETE	12
CRANKSHAFT AND PISTONS	28
CYLINDER BLOCK AND CAMSHAFT	26
DISTRIBUTOR ASSEMBLY (MALLORY)	6
ENGINE MOUNTING	20
EXHAUST MANIFOLD AND EXHAUST ELBOW	16
FLYWHEEL HOUSING	38
FUEL PUMP AND FUEL FILTER	8
INTAKE MANIFOLD AND GASKET SETS	34
OIL PAN AND OIL PUMP	32
PARTS INDEX	40
POWER STEERING COMPONENTS	36
ROCKER COVER AND CYLINDER HEAD	24
STARTER MOTOR AND ALTERNATOR	2
THERMOSTAT HOUSING	18
WATER DISTRIBUTION HOSES	22
WIRING HARNESS, CIRCUIT BREAKER AND STARTER SOLENOID	4

NOTE: Indented description indicate that these parts are included in preceeding assembly.

AR = As Required

NSS = Not Sold Separate

OPT = Optional

NS = Not Shown

THESE PARTS BOOKS/FICHE CARD ARE COPYRIGHTED AND MAY NOT BE DISTRIBUTED OR REPRODUCED IN ANY OTHER FORMAT BY ANYONE OTHER THAN MERCURY MARINE WITHOUT THE PRIOR WRITTEN CONSENT OF MERCURY MARINE.

REPLACEMENT PARTS ! WARNING !

Electrical, ignition and fuel system components on MerCruiser Engines and Stern Drives are designed and manufactured to comply with U.S. Coast Guard Rules and Regulations to minimize risks of fire or explosion. Use of replacement electrical, ignition or fuel system components, which do not comply to these rules and regulations, could result in a fire or explosion hazard and should be voided.

When servicing the electrical, ignition and fuel systems, it is extremely important that all components are properly installed and tightened. If not, any electrical or ignition component opening would permit sparks to ignite fuel vapors from fuel system leaks, if they existed.

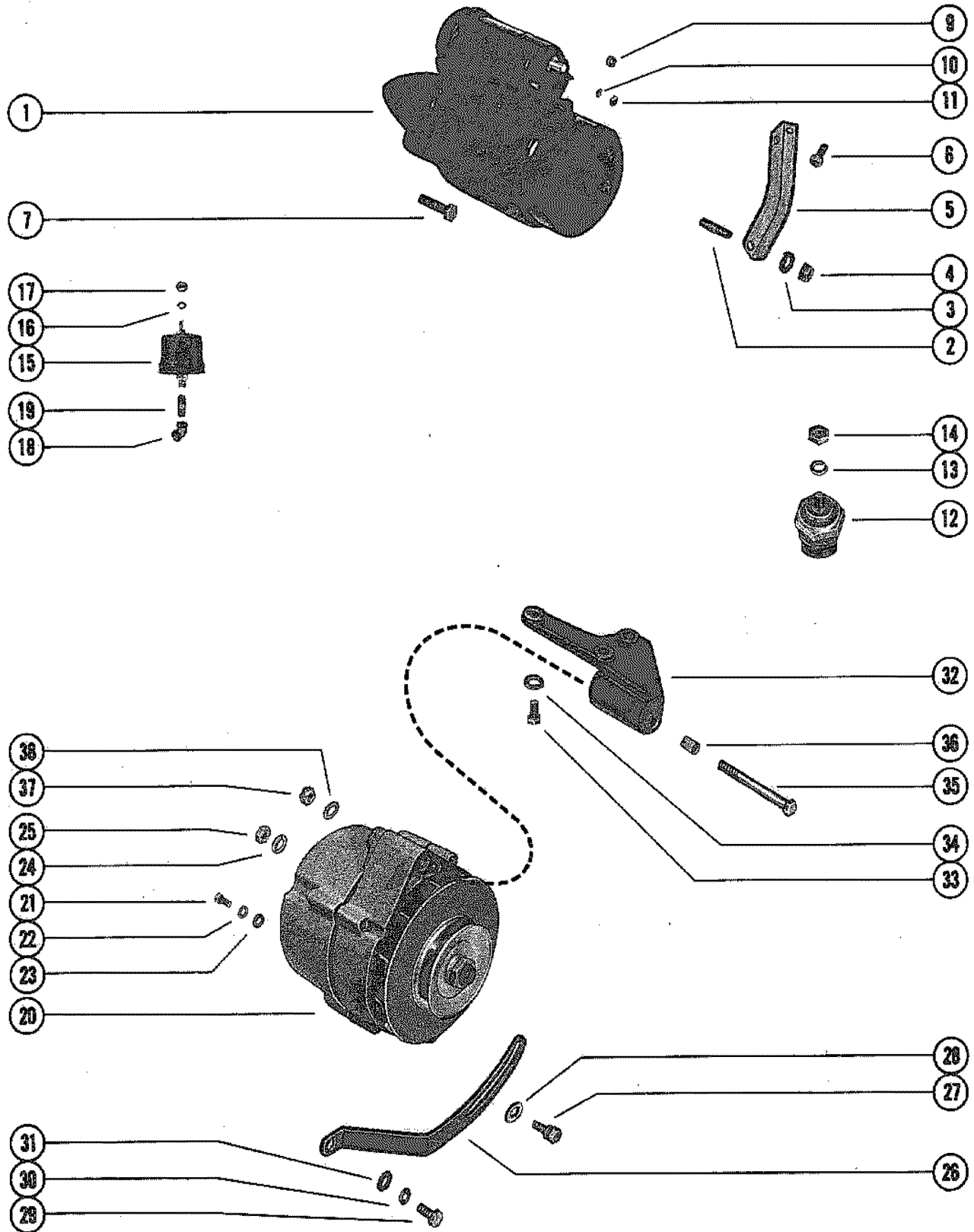
ENGINE MECHANICAL COMPONENTS

Many of the engine mechanical components are designed for marine applications. Unlike automotive engines, marine engines are subjected to extended periods of heavy load and wide- open-throttle operation, therefore, require heavy-duty components. Special marine engine parts have design and manufacturing specifications, which are required to provide long life and dependable performance. Marine engine parts also must be able to resist the corrosive action of salt or brackish water that will rust or corrode standard automotive parts within a short period of time.

Failure to use recommended Mercury Precision Parts OR Quicksilver service replacement parts can result in poor engine performance and/or durability, rapid corrosion of parts subjected to salt water and possibly complete failure of the engine.

Use of parts other than recommended service replacement parts will void the warranty on those parts which are damaged as a result of the use of other than recommended parts.

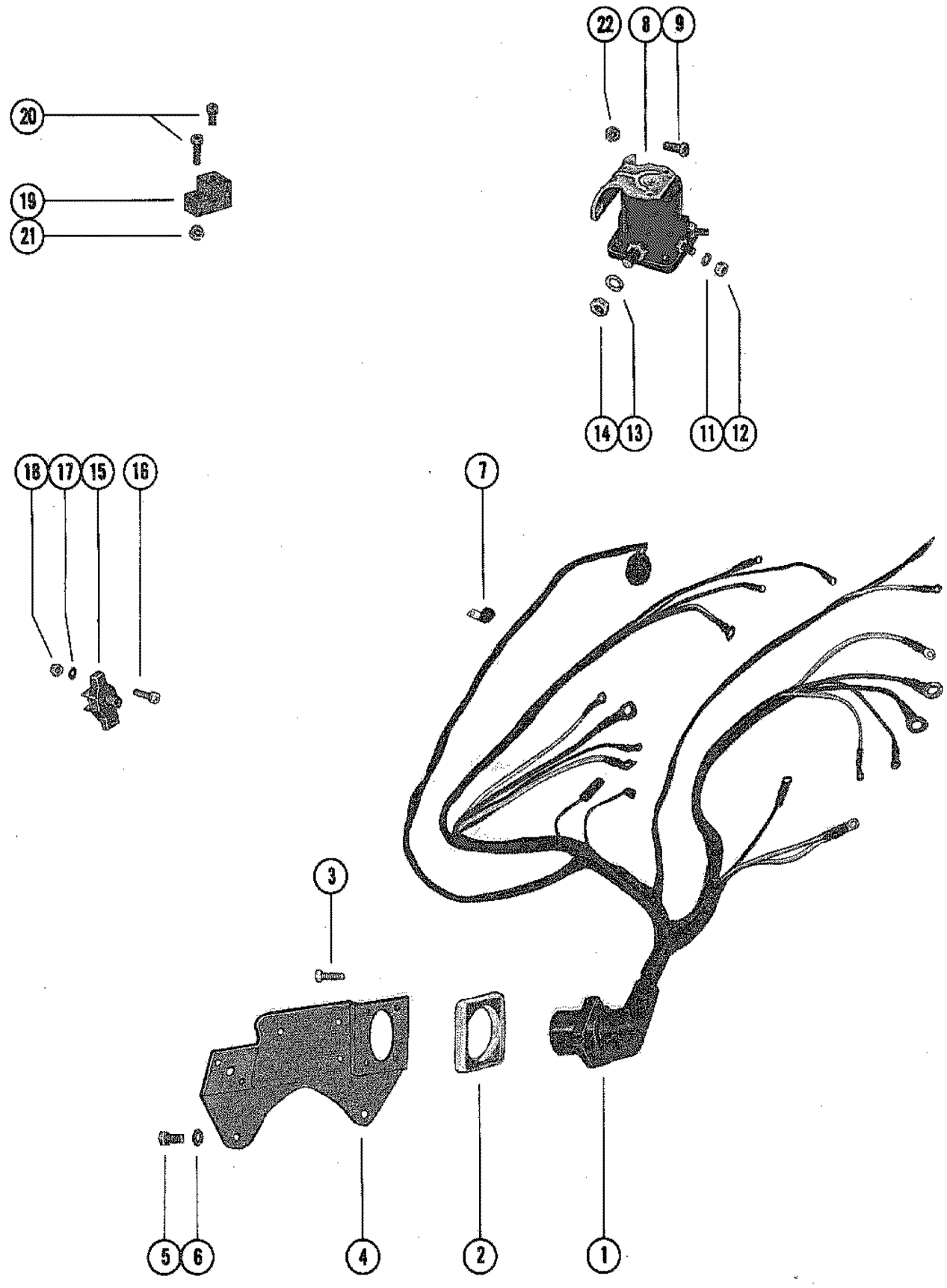
STARTER MOTOR AND ALTERNATOR



STARTER MOTOR AND ALTERNATOR

REF. NO.	PART NO.	SYM.	QTY.	DESCRIPTION
1	50-69864A1		1	STARTER MOTOR ASSEMBLY (SEE NOTE BELOW)
2	16-52387		1	STUD, STARTER MOTOR
3	13-26992		1	LOCKWASHER, STARTER MOTOR STUD
4	11-20890		1	NUT, STARTER MOTOR STUD
5	35363		1	BRACE, STARTER MOTOR
6	10-35765		1	SCREW, BRACE TO ENGINE (5/8")
7	10-34545		1	SCREW, STARTER MOTOR TO CYLINDER BLOCK (4 21/32")
	10-34544		1	SCREW, STARTER MOTOR TO CYLINDER BLOCK (1 15/16")
9	11-32219		1	NUT, STARTER TERMINAL (3/8")
10	13-26995		2	LOCKWASHER, STARTER TERMINAL (#8)
11	11-26419		2	NUT, STARTER TERMINAL (#8)
12	34625		1	WATER TEMPERATURE SENDER ASSEMBLY
13	13-26996		1	LOCKWASHER, WATER TEMP. SENDER TERMINAL (#10)
14	11-20645		1	NUT, WATER TEMPERATURE SENDER TERMINAL (#10)
15	34623		1	OIL PRESSURE SENDER ASSEMBLY
16	13-26996		1	LOCKWASHER, OIL PRESSURE SENDER TERMINAL (#10)
17	11-20645		1	NUT, OIL PRESSURE SENDER TERMINAL (#10)
18	22-46932		1	ELBOW, OIL PRESSURE SENDER
19	22-73676		1	NIPPLE, OIL PRESSURE SENDER
20	69729		1	ALTERNATOR ASSEMBLY (SEE NOTE BELOW)
21	10-20055		1	SCREW, GROUND CABLE TO ALTERNATOR
22	13-26996		1	LOCKWASHER, GROUND CABLE SCREW
23	12-30164		1	WASHER, GROUND CABLE SCREW
24	12-26991		1	LOCKWASHER, ALTERNATOR TERMINAL
25	11-68531		1	NUT, ALTERNATOR TERMINAL
26	47498		1	BRACE, ALTERNATOR ADJUSTING
27	10-29198		1	SCREW, ALTERNATOR BRACE TO ALTERNATOR (7/8")
28	12-26168		1	WASHER, ALTERNATOR BRACE SCREW
29	10-27165		1	SCREW, ALTERNATOR BRACE TO CYLINDER BLOCK (3/4")
30	13-35048		1	LOCKWASHER, ALTERNATOR BRACE SCREW
31	12-20553		1	WASHER, ALTERNATOR BRACE SCREW
32	48104		1	BRACKET, ALTERNATOR MOUNTING
33	10-76926		3	SCREW, ALTERNATOR BRACKET TO EXHAUST MANIFOLD (7/8")
34	13-35048		3	LOCKWASHER, ALTERNATOR BRACKET SCREW
35	10-48308		1	SCREW, ALTERNATOR TO ALTERNATOR BRACKET (3 3/4")
36	23-33186		1	BUSHING ALTERNATOR TO BRACKET SCREW
37	12-20553		2	WASHER, ALTERNATOR BRACKET SCREW
38	11-23161		1	NUT, ALTERNATOR BRACKET SCREW

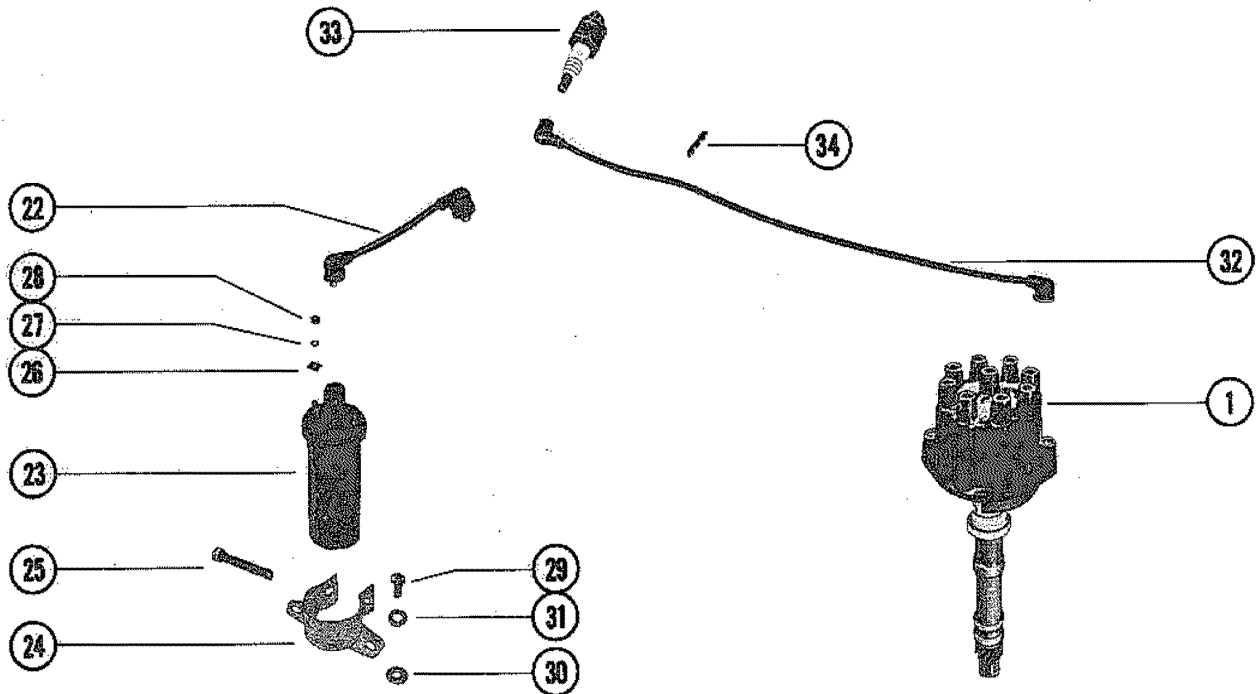
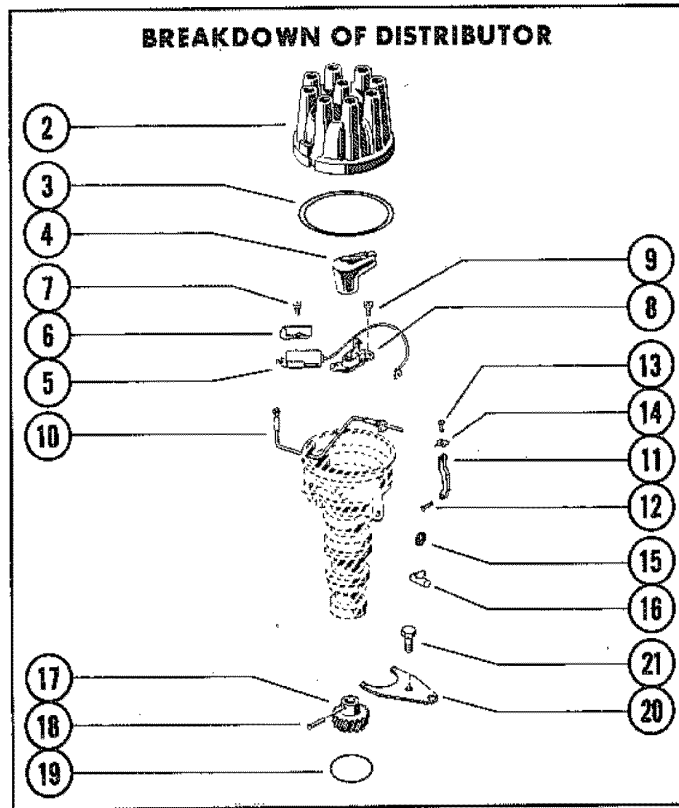
WIRING HARNESS, CIRCUIT BREAKER AND STARTER SOLENOID



WIRING HARNESS, CIRCUIT BREAKER AND STARTER SOLENOID

REF. NO.	PART NO.	SYM.	QTY.	DESCRIPTION
1	84-77441		1	WIRING HARNESS
2	26079		1	PLATE, WIRING HARNESS TO MOUNTING BRACKET
3	10-46718		4	SCREW, WIRING HARNESS PLATE TO MOUNTING BRACKET (3/4")
4	77440		1	BRACKET, MOUNTING - HARNESS AND CIRCUIT BREAKER
5	10-34354		2	SCREW, MOUNTING BRACKET ATTACHING (1 1/2")
6	13-35048		2	LOCKWASHER, MOUNTING BRACKET SCREW
7	64884		1	TAB, WIRING HARNESS
8	89-76416A1		1	STARTER SOLENOID
9	10-69028		2	SCREW, STARTER SOLENOID TO MOUNTING BRACKET (3/4")
11	13-26996		2	LOCKWASHER, STARTER SOLENOID TERMINAL (#10)
12	11-68219		2	NUT, STARTER SOLENOID TERMINAL (10-32)
13	13-26993		2	LOCKWASHER, STARTER SOLENOID TERMINAL (5/16")
14	11-68292		2	NUT, STARTER TERMINAL (5/16")
15	88-65093		1	CIRCUIT BREAKER
-	11-20645		2	NUT, CIRCUIT BREAKER TERMINAL
-	13-26996		2	LOCKWASHER, CIRCUIT BREAKER TERMINAL
16	10-24637		2	SCREW, CIRCUIT BREAKER TO BRACKET (7/8")
17	12-30164		2	WASHER, CIRCUIT BREAKER SCREW
18	11-46438		2	NUT, CIRCUIT BREAKER SCREW
19	45915		1	TERMINAL BLOCK
20	10-62568		1	SCREW, TERMINAL BLOCK
	10-22391		1	SCREW, TERMINAL BLOCK
21	11-46438		1	NUT, TERMINAL BLOCK SCREW
22	11-20361		2	NUT, STARTER SOLENOID SCREW

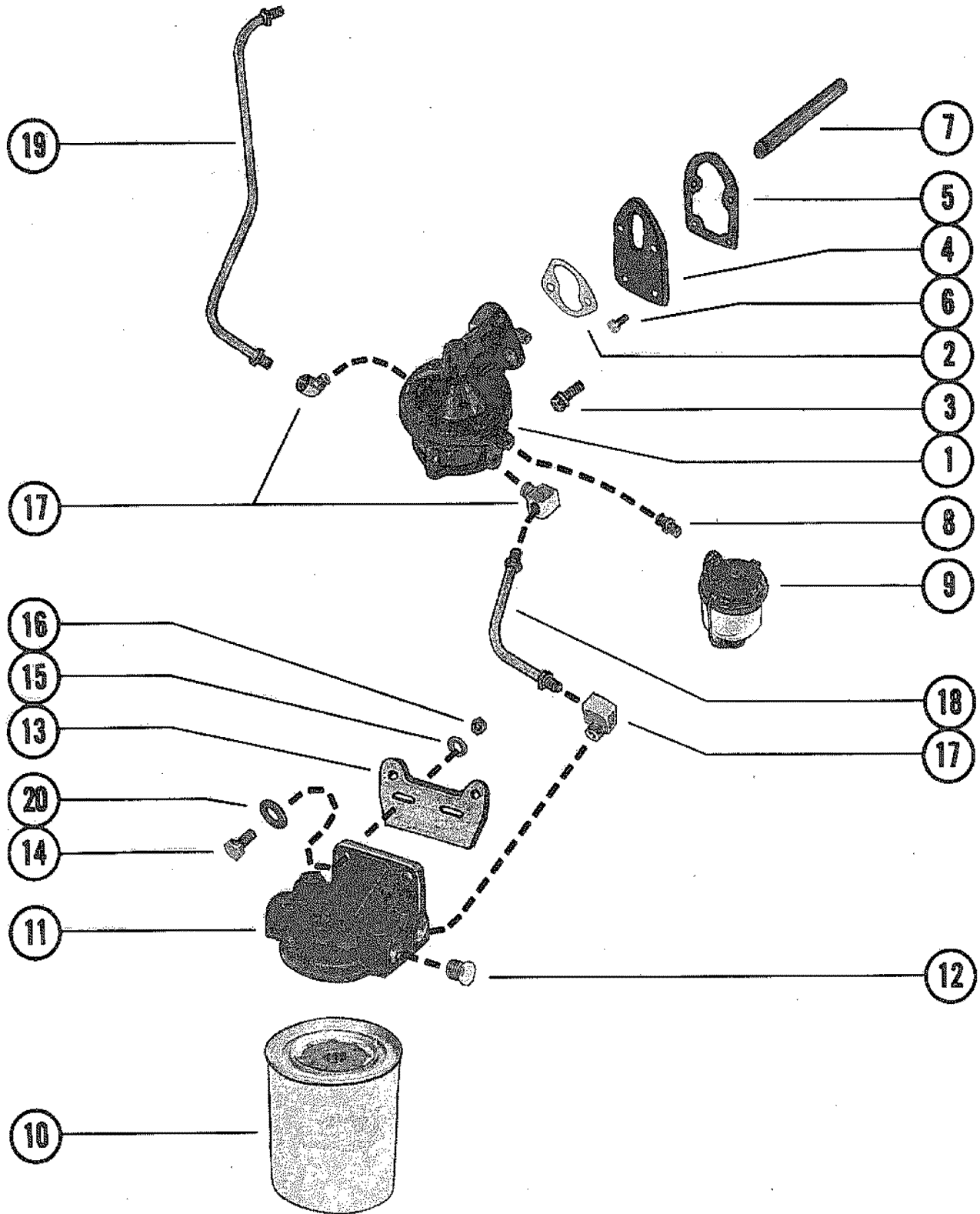
DISTRIBUTOR ASSEMBLY (MALLORY)



DISTRIBUTOR ASSEMBLY (MALLORY)

REF. NO.	PART NO.	SYM.	QTY.	DESCRIPTION
1	74905A3		1	DISTRIBUTOR ASSEMBLY, COMPLETE
2	391-5075		1	CAP, DISTRIBUTOR
3	391-6389		1	GAASKET, DISTRIBUTION CAP
4	391-7057		1	ROTOR
5	391-5092		1	CONDENSER
6	391-5093		1	BRACEKT, CONDENSER ATTACHING
7	391-5091		1	CONDENSER BRACKET ATTACHING
8	391-5090		1	BREAKER ASSEMBLY
9	391-5089		1	SCREW, BREAKER ATTACHING
10	84-65773A6		1	LEAD ASSEMBLY, PRIMARY TERMINAL
11	391-5085		2	CLAMP, DISTRIBUTOR CAP ATTACHING
12	391-5084		2	PIN, CLAMP TO DISTRIBUTOR
13	391-5087		2	SCREW, DISTRIBUTOR CAP ATTACHING
14	391-5086		2	WASHER, DISTRIBUTOR CAP SCREW
15	391-5083		2	VENT, SCREEN
16	391-5080		1	OILER
17	391-6390		1	GEAR, DRIVE
18	391-6391		1	PIN, DRIVE GEAR
19	27-52184		1	GASKET, DISTRIBUTOR
20	52185		1	CLAMP, DISTRIBUTOR TO INTAKE MANIFOLD
21	10-54528		1	SCREW, DISTRIBUTOR CLAMP ATTACHING (7/8")
22	84-75901		1	LEAD ASSEMBLY, DISTRIBUTOR TO COIL (5")
23	32193		1	COIL, IGNITION
24	77294		1	BRACKET, IGNTION COIL MOUNTING
25	10-66652		1	SCREW, BRACKET TO IGNITION COIL (1 1/2")
26	12-30164		2	WASHER, IGNITION COIL TERMINAL
27	13-26996		2	LOCKWASHER, IGNITION COIL TERMINAL
28	11-20645		2	NUT, IGNITION COIL TERMINAL
29	10-25299		2	SCREW, IGNITION COIL ATTACHING (3/4")
30	12-20084		2	WASHER, IGNITION COIL ATTACHING SCREW
31	13-26993		2	LOCKWASHER, IGNITION COIL ATTACHING SCREW
32	84-67957--5		1	LEAD ASSEMBLY, HIGH TENSION (38 1/2")
	84-67957--8		1	LEAD ASSEMBLY, HIGH TENSION (37")
	84-67957--4		1	LEAD ASSEMBLY, HIGH TENSION (34")
	84-67957--1		1	LEAD ASSEMBLY, HIGH TENSION (31")
	84-67957-10		2	LEAD ASSEMBLY, HIGH TENSION (29 1/2")
	84-67957--7		1	LEAD ASSEMBLY, HIGH TENSION (24")
	84-67957-11		1	LEAD ASSEMBLY, HIGH TENSION (42")
33	33-59571		8	SPARK PLUG (AC #MR43T)
34	54676		2	RETAINER, HIGH TENSION LEADS (2 WIRE)
	32783		2	RETAINER, HIGH TENSION LEADS (3 WIRE)
	32784		2	RETAINER, HIGH TENSION LEADS (4 WIRE)

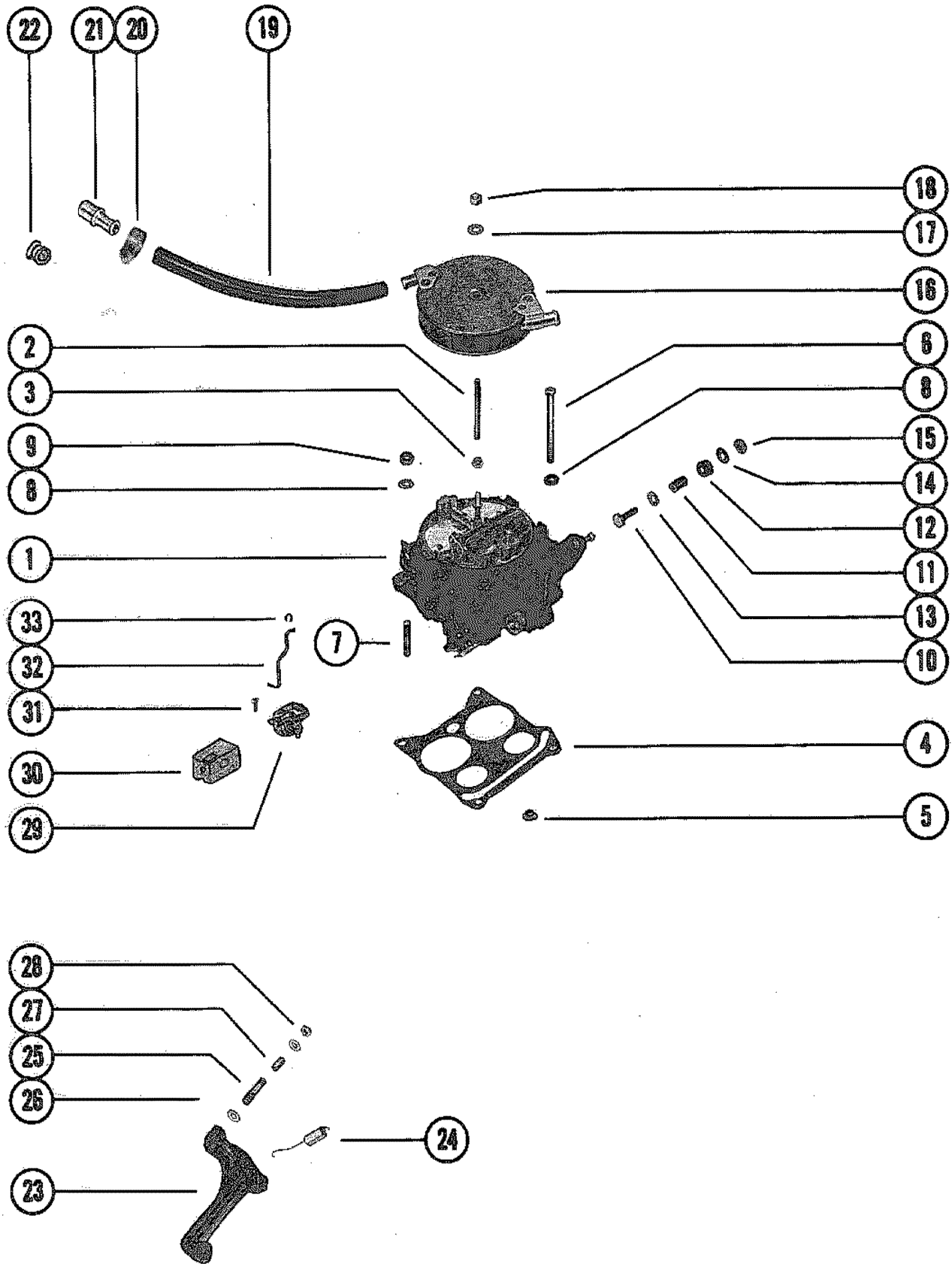
FUEL PUMP AND FUEL FILTER



FUEL PUMP AND FUEL FILTER

REF. NO.	PART NO.	SYM.	QTY.	DESCRIPTION
1	71646		1	FUEL PUMP ASSEMBLY
2	27-34213		1	GASKET, FULE PUMP TO CYLINDER BLOCK
3	10-35374		2	SCREW, FUEL PUMP TO MOUNTING PLATE (1 1/8")
4	35373		1	PLATE, FUEL PUMP MOUNTING
5	27-34898		1	GASKET, FUEL PUMP MOUNTING PLATE
6	10-34277		2	SCREW, FUEL PUMP MOUNTING PLATE
7	35377		1	ROD, PUSH - FUEL PUMP
8	22-32876		1	NIPPLE, SIGHT GLASS TO FUEL PUMP
9	47816		1	SIGHT GLASS
10	35-60494		1	FUEL FILTER
11	55481		1	BASE, FUEL FILTER
12	22-36382		1	PLUG, PIPE = FUEL FILTER
	22-20025		1	PLUG, PIPE - FUEL FILTER (SLOTTED)
13	77453		1	BRACEKT, MOUNTING - FUEL FILTER
14	10-26066		2	SCREW, FULE FILTER TO MOUNTING BRACKET (1 1/4")
15	12-20084		2	WASHER, FULE FILTER SCREW
16	11-35814		2	NUT, FUEL FILTER SCREW
17	22-33821		3	ELBOW, FUEL LINE TO FUEL PUMP AND FUEL FILTER
18	32-71325		1	FUEL LINE, FUEL FILTER TO FUEL PUMP (STEEL TUBING)
19	32-71326		1	FUEL LINE, FUEL PUMP TO CARBURETOR
20	12-53705		2	WASHER, FUEL FILTER BRACKET SCREW

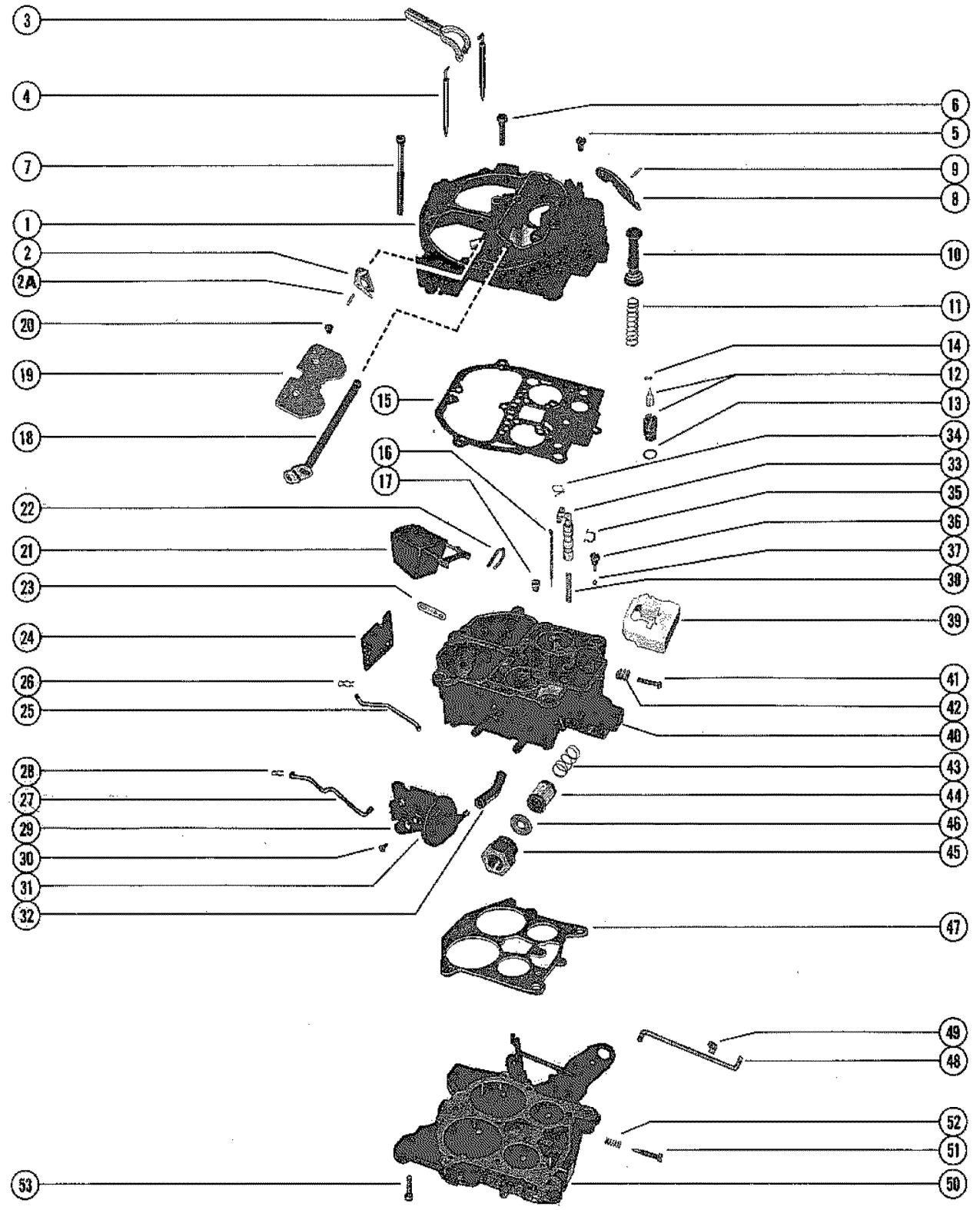
CARBURETOR AND AUTOMATIC CHOKE



CARBURETOR AND AUTOMATIC CHOKE

REF. NO.	PART NO.	SYM.	QTY.	DESCRIPTION
1	1347-6492A1		1	CARBURETOR ASSEMBLY
2	16-33213		1	STUD, FLAME ARRESTOR MOUNTING - CARBURETOR
3	11-28941		1	NUT, JAM - FLAME ARRESTOR
4	27-52457		1	GASKET, CARBURETOR
5	22-48358		1	PLUG, INTAKE MANIFOLD VACUUM HOLE
6	10-28701		2	SCREW, CARBURETOR MOUNTING (3 1/2")
7	16-46857		2	STUD, CARBURETOR MOUNTING (1 7/8")
8	12-20084		4	WASHER, CARBURETOR MOUNTING STUD AND SCREW
9	11-46793		2	NUT, CARBURETOR MOUNTING STUD
10	10-22958		1	SCREW, THROTTLE CABLE TO CARBURETOR 91 1/8")
11	23-57938		1	BUSHING, THROTTLE CABLE SCREW
12	23-34948		1	BUSHING, CARBURETOR LEVER
13	12-56681		1	WASHER, CARBURETOR LEVER
14	12-20128		1	WASHER, THROTTLE CABLE SCREW
15	11-20190		1	NUT, THROTTLE CABLE SCREW
16	47833		1	FLAME ARRESTOR, CARBURETOR
17	12-22937		1	WASHER, FLAME ARRESTOR STUD
18	11-20586		1	NUT, FLAME ARRESTOR STUD
19	32-47996		2	HOSE, VENT - CARBURETOR (10")
20	54-53101		4	CLAMP, VENT HOSE ATTACHING
21	47957		2	CONNECTOR, VENT HOSE TO ROCKER COVER
22	25-52188		2	GROMMET, ROCKER COVER TO VENT HOSE CONNECTOR
23	77580		1	BRACKET, MOUNTING - THROTTLE CABLE
24	24-32817		1	SPTING, THROTTLE RETURN
25	16-35897		1	STUD, THROTTLE CABLE TO MOUNTING BRACKET (1 11/16")
26	76-95231		2	STUD, THROTTLE CABLE TO MOUNTING BRACKET (1 11/16")
27	23-31866		1	SPACER, THROTTLE CABLE STUD
28	11-20586		1	NUT, THROTTLE CABLE STUD
29	72625		1	CHOKE, AUTOMATIC - CARBURETOR
30	66198		1	COVER, AUTOMATIC CHOKE
31	10-59994		1	SCREW, AUTOMATIC CHOKE THERMOSTAT (5/8")
32	61112		1	ROD, AUTOMATIC CHOKE
33	54-59989		1	CLIP, AUTOMATIC CHOKE ROD

CARBURETOR ASSEMBLY, COMPLETE

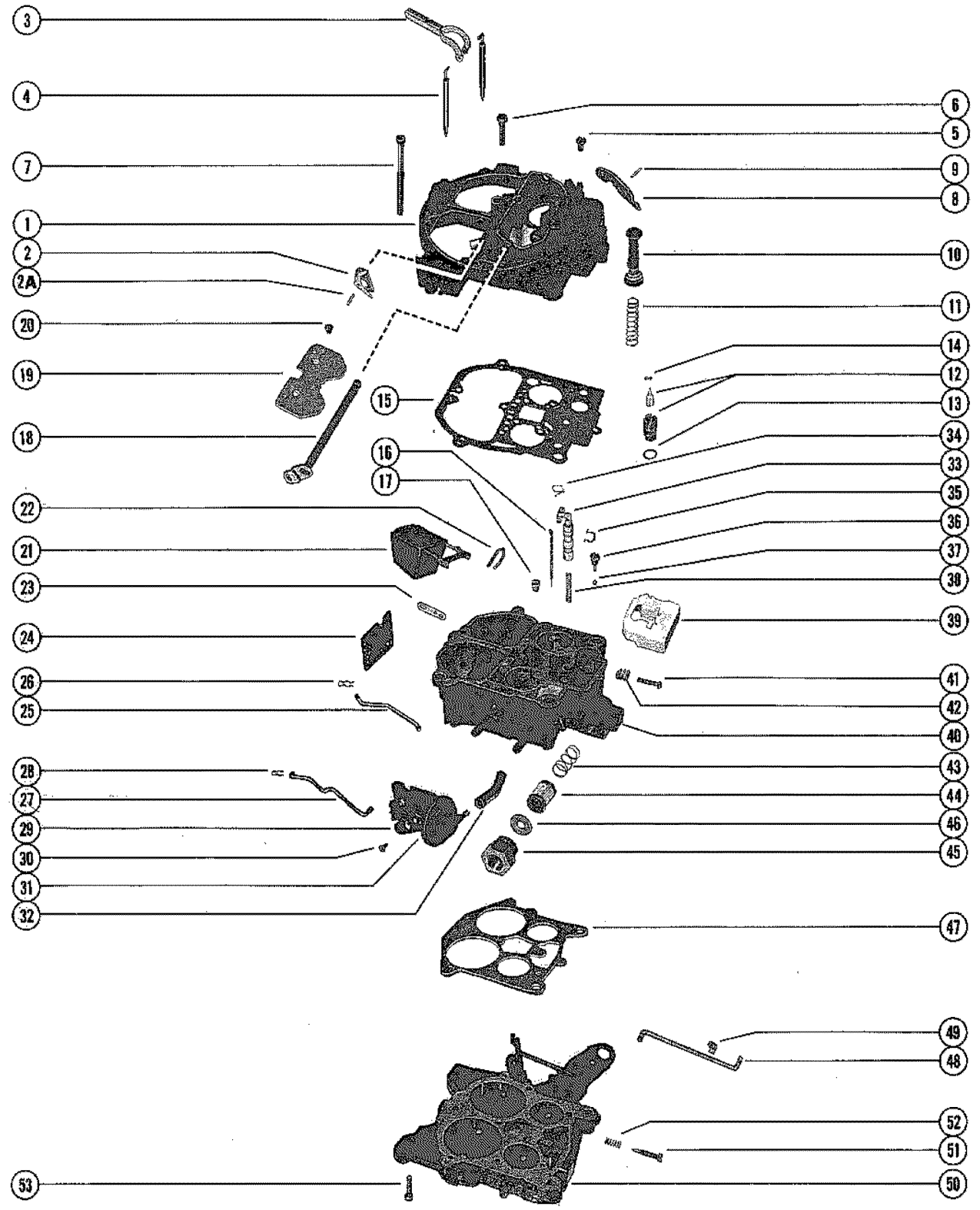


CARBURETOR ASSEMBLY, COMPLETE

REF. NO.	PART NO.	SYM.	QTY.	DESCRIPTION
-	1347-6492A1		1	CARBURETOR ASSEMBLY, COMPLETE
1	1397-6641		1	AIR HORN ASSEMBLY
2	1397-5640		1	LEVER, AIR VALVE LOCKOUT
2A			1	ROLL PIN, LOCKOUT LEVER
3	1397-3313		1	HOLDER KIT, SECONDARY METERING ROD
4	1397-5974		2	METERING ROD, SECONDARY
5	10-48137		2	SCREW, AIR HORN TO FLOAT BOWL (3/8")
6	10-34370		5	SCREW, AIR HORN TO FLOAT BOWL (1")
7	10-48395		2	SCREW, AIR HORN TO FLOAT BOWL (3")
8	1397-5638		1	LEVER, ACTUATING - PUMP
9			1	ROLL PIN, HINGE - PUMP LEVER
10			1	PUMP ASSEMBLY
11			1	SPRING, PUMP RETURN
12			1	NEEDLE AND SEAT ASSEMBLY
13			1	GASKET, NEEDLE AND SEAT
14			1	PULL CLIP, FLOAT NEEDLE
15			1	GASKET, AIR HORN
16			2	METERING ROD, PRIMARY
17			2	JET, PRIMARY
18	1397-4326		1	CHOKE SHAFT AND LEVER ASSEMBLY
19	1397-4587		1	VALVE, CHOKE - CHOKE SHAFT
20	10-48139		2	SCREW, CHOKE VALVE TO CHOKE SHAFT
21	1397-3327		1	FLOAT ASSEMBLY
22	17-48140		1	PIN, HINGE - FLOAT
23	1397-3323		1	LEVER, INTERMEDIATE CHOKE
24	1397-3332		1	BAFFLE, FLOAT BOWL
25	1397-3324		1	ROD, CHOKE
26			1	CLIP, CHOKE ROD
27	1397-3318		1	ROD, VACUUM CONTROL
28			1	CLIP, VACUUM CONTROL ROD
29	1397-3339		1	BRACKET ASSEMBLY, VACUUM CONTROL
30	10-49138		2	SCREW, VACUUM CONTROL BRACKET TO FLOAT BOWL
31	1397-3317		1	CONTROL ASSEMBLY, VACUUM
32	1397-3320		1	HOSE, VACUUM
33	1397-5641		1	POWER PISTON ASSEMBLY
34	24-48142		1	SPRING, METERING ROD - PRIMARY
35	1397-3329		1	RETAINER, POWER PISTON
36	1397-3326		1	RETAINER, PUMP DISCHARGE BALL
37			1	BALL, PUMP DISCHARGE
38	24-48141		1	SPRING, POWER PISTON
39	1397-3331		1	INSERT, FLOAT BOWL
40	1397-4332		1	FLOAT BOWL ASSEMBLY
41	10-48144		1	SCREW, IDLE STOP

CONTINUED ON NEXT PAGE ➡

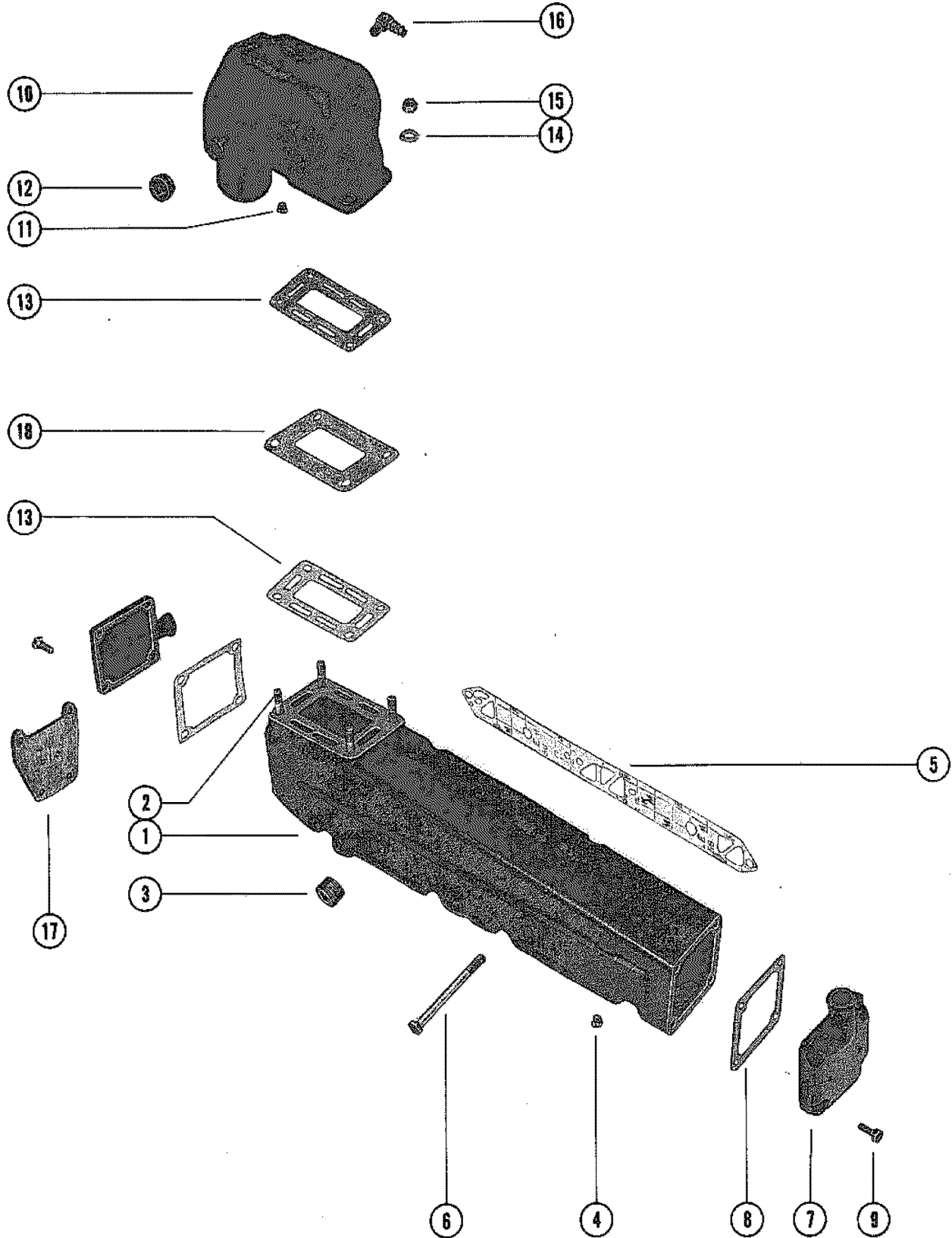
CARBURETOR ASSEMBLY, COMPLETE



CARBURETOR ASSEMBLY, COMPLETE

REF. NO.	PART NO.	SYM.	QTY.	DESCRIPTION
42	24-34373		1	SPRING, IDLE STOP SCREW
43	24-48143		1	SPRING, FILTER NUT
44	35-53336		1	FILTER, FUEL INLET
45	1397-3330		1	NUT, FILTER - FUEL INLET
46			1	GASKET, FILTER NUT
47			1	GASKET, THROTTLE BODY
48	1397-3333		1	ROD, PUMP
49			1	CLIP, PUMP ROD
50	1397-4385		1	THROTTLE BODY ASSEMBLY
51			2	IDLE NEEDLE, THROTTLE BODY
52	24-33050		2	SPRING, IDLE NEEDLE
53	1397-4333		3	SCREW, THROTTLE BODY TO FLOAT BOWL
-	1397-3315		1	SPRING AND CAM KIT, AIR VALVE
-	1397-4329		1	OVERHAUL KIT
-	1397-3309		1	GASKET SET

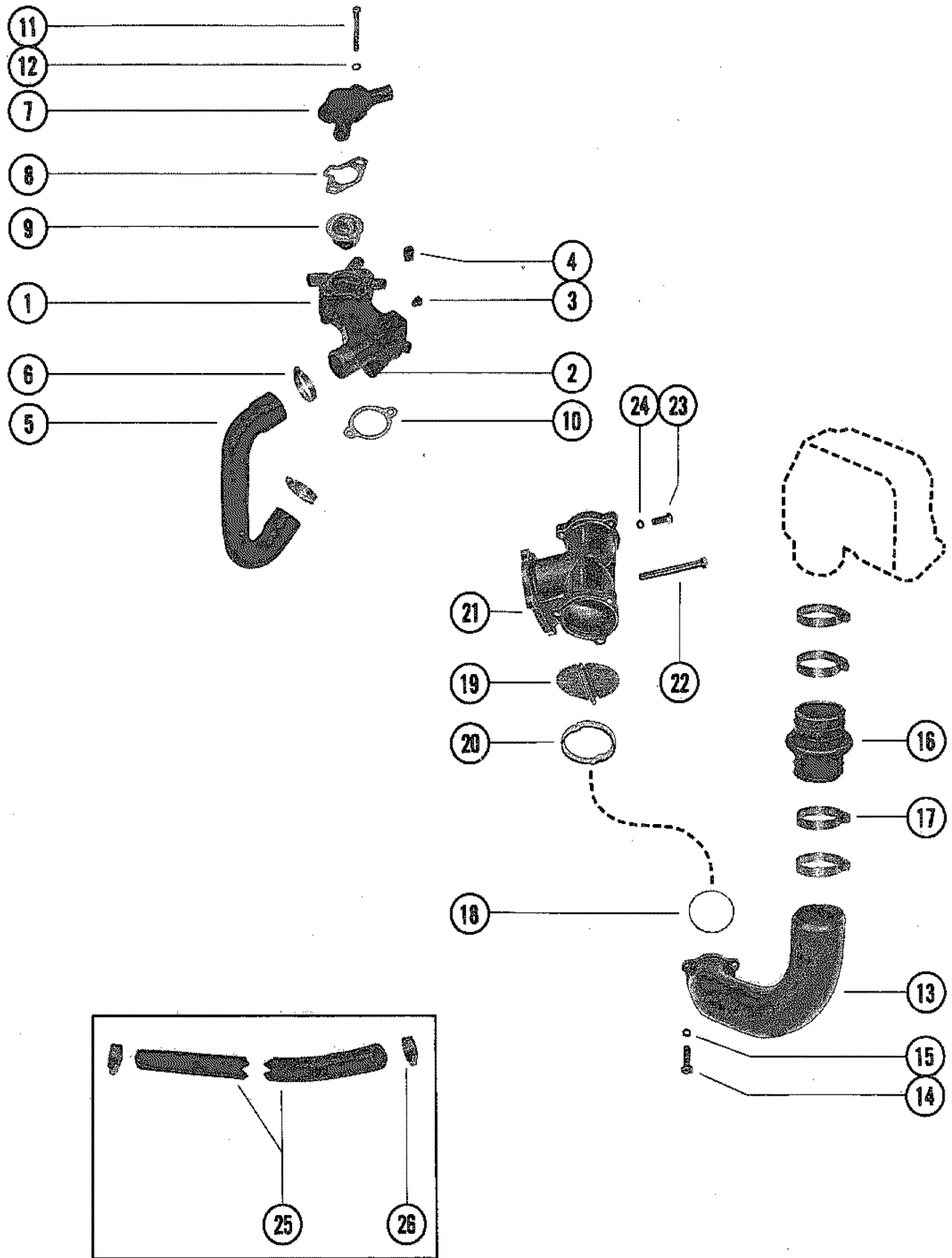
EXHAUST MANIFOLD AND EXHAUST ELBOW



EXHAUST MANIFOLD AND EXHAUST ELBOW

REF. NO.	PART NO.	SYM.	QTY.	DESCRIPTION
1	77234A2		1	EXHAUST MANIFOLD ASSEMBLY (PORT)
	77235A2		1	EXHAUST MANIFOLD ASSEMBLY (STARBOARD)
2	16-49545		8	STUD, EXHAUST MANIFOLD TO ELBOW (1 3/4")
3	22-48118		4	PLUG, EXHAUST MANIFOLD
4	22-32802		2	PLUG, PIPE - EXHAUST MANIFOLD
5	27-33395		2	GASKET, EXHAUST MANIFOLD TO CYLINDER HEAD
6	10-53728		8	SCREW, EXHAUST MANIFOLD TO CYLINDER HEAD (4 5/8")
7	60252		4	END CAP/CONNECTOR, EXHAUST MANIFOLD
8	27-48043		4	GASKET, END CAP/CONNECTOR TO EXHAUST MANIFOLD
9	10-35386		12	SCREW, END CAP TO EXHAUST MANIFOLD (1")
	10-73657		4	SCREW, END CAP AND FUEL FILTER BRACKET (1 1/4") - STBD.
10	76351A1		2	EXHAUST ELBOW ASSEMBLY
11	22-32802		2	PLUG, PIPE - EXHAUST ELBOW
12	22-33198		8	PLUG, EXHAUST ELBOW
13	27-52076		4	GASKET, EXHAUST ELBOW
14	13-37459		8	LOCKWASHER, EXHAUST ELBOW TO EXHAUST MANIFOLD STUD
15	11-49838		8	NUT, EXHAUST ELBOW TO EXHAUST MANIFOLD STUD
16	22-45084		2	FITTING, EXHAUST ELBOW
17	54869		1	BRACKET, SOLENOID MOUNTING
18	60207		2	PLATE, EXHAUST MANIFOLD
1	47737A1		1	EXHAUST MANIFOLD ASSEMBLY (PORT)
	47738A1		1	EXHAUST MANIFOLD ASSEMBLY (STARBOARD)
10	76668A1		2	EXHAUST ELBOW ASSEMBLY
13	27-48042		4	GASKET, EXHAUST ELBOW
18	73782		2	PLATE

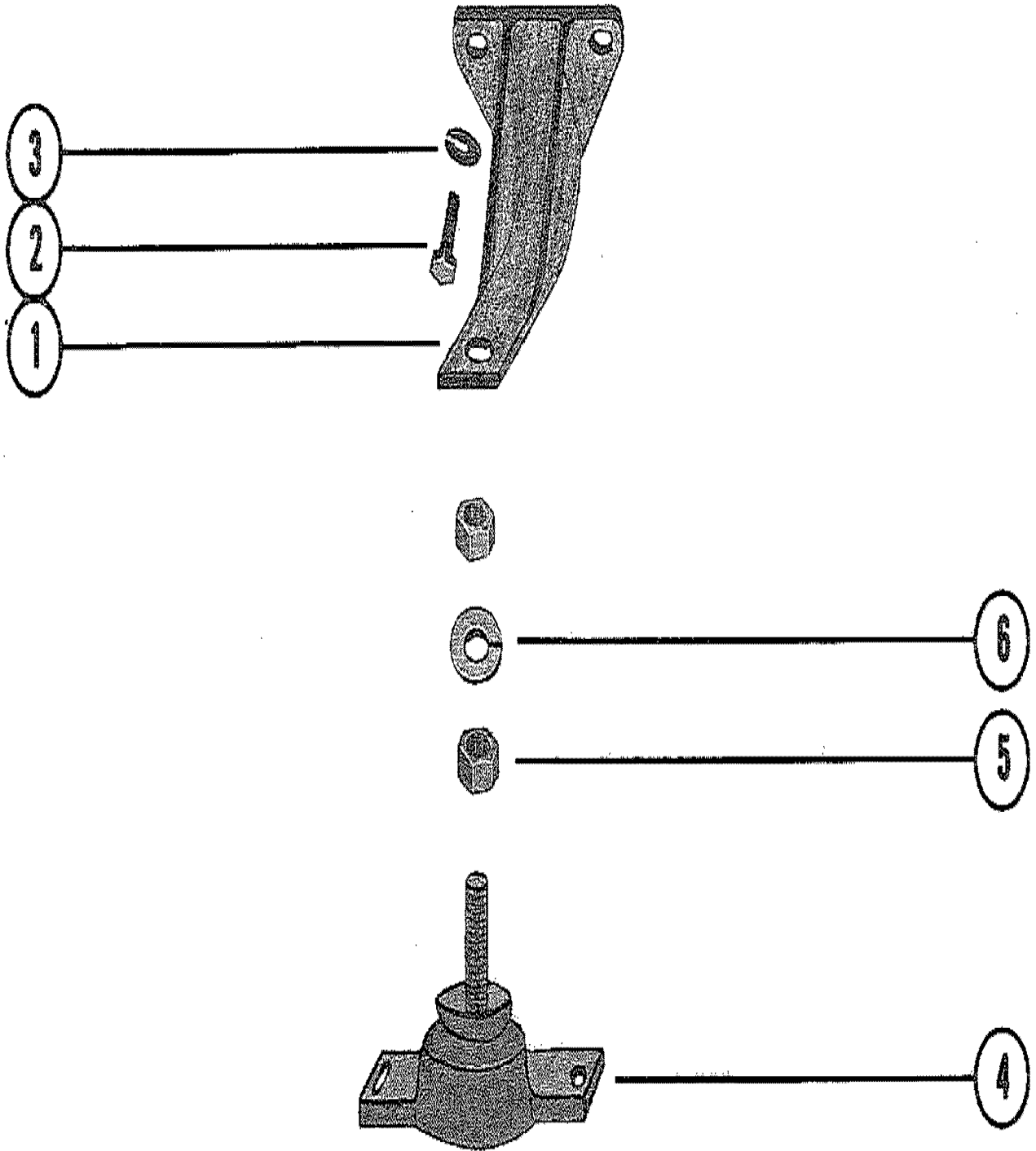
THERMOSTAT HOUSING



THERMOSTAT HOUSING

REF. NO.	PART NO.	SYM.	QTY.	DESCRIPTION
1	59861A4		1	THERMOSTAT HOUSING ASSEMBLY
2	47511		1	SLEEVE, THERMOSTAT HOUSING
3	22-47540		2	PLUG, THERMOSTAT HOUSING
4	22-33198		1	PLUG, THERMOSTAT HOUSING
5	32-33189		1	HOSE, THERMOSTAT HOUSING TO WATER PUMP
6	54-32781		2	CLAMP, HOSE TO THERMOSTAT HOUSING AND WATER PUMP
7	47441		1	COVER, THERMOSTAT HOUSING
8	27-48818		1	GASKET, THERMOSTAT HOUSING (UPPER)
9	59137		1	THERMOSTAT (143)
10	27-53045		1	GASKET, THERMOSTAT HOUSING TO MANIFOLD (LOWER)
11	10-33389		2	SCREW, THERMOSTAT HOUSING ATTACHING (4 1/4")
12	13-37459		2	LOCKWASHER, THERMOSTAT HOUSING SCREW
13	73738		2	ELBOW, EXHAUST
14	10-60992		6	SCREW, EXHAUST ELBOW TO EXHAUST SEPARATOR (1 1/4")
15	13-35048		6	LOCKWASHER, EXHAUST ELBOW SCREW
16	70981		2	BELLOWS, EXHAUST ELBOW
17	54-33683		4	CLAMP, BELLOWS (SMALL)
	54-31765		4	CLAMP, BELLOWS (LARGE)
18	25-35029		2	"O" RING, EXHAUST ELBOW TO TRANSOM PLATE
19	60930		2	SHUTTER, WATER-EXHAUST SEPARATOR
20	60931		2	RETAINER, WATER SHUTTER
21	59825		1	SEPARATOR, EXHAUST
22	10-60835		1	SCREW, EXHAUST SEPARATOR TO GIMBAL HOUSING (5")
23	10-37612		4	SCREW, EXHAUST SEPARATOR TO GIMBAL HOUSING (1 1/4")
24	13-35048		5	LOCKWASHER, EXHAUST SEPARATOR SCREW
25	32-77479A1		1	HOSE ADAPTOR ASSEMBLY, THERMOSTAT HSG. TO TRANSOM
26	54-32780		2	CLAMP, HOSE ADAPTOR

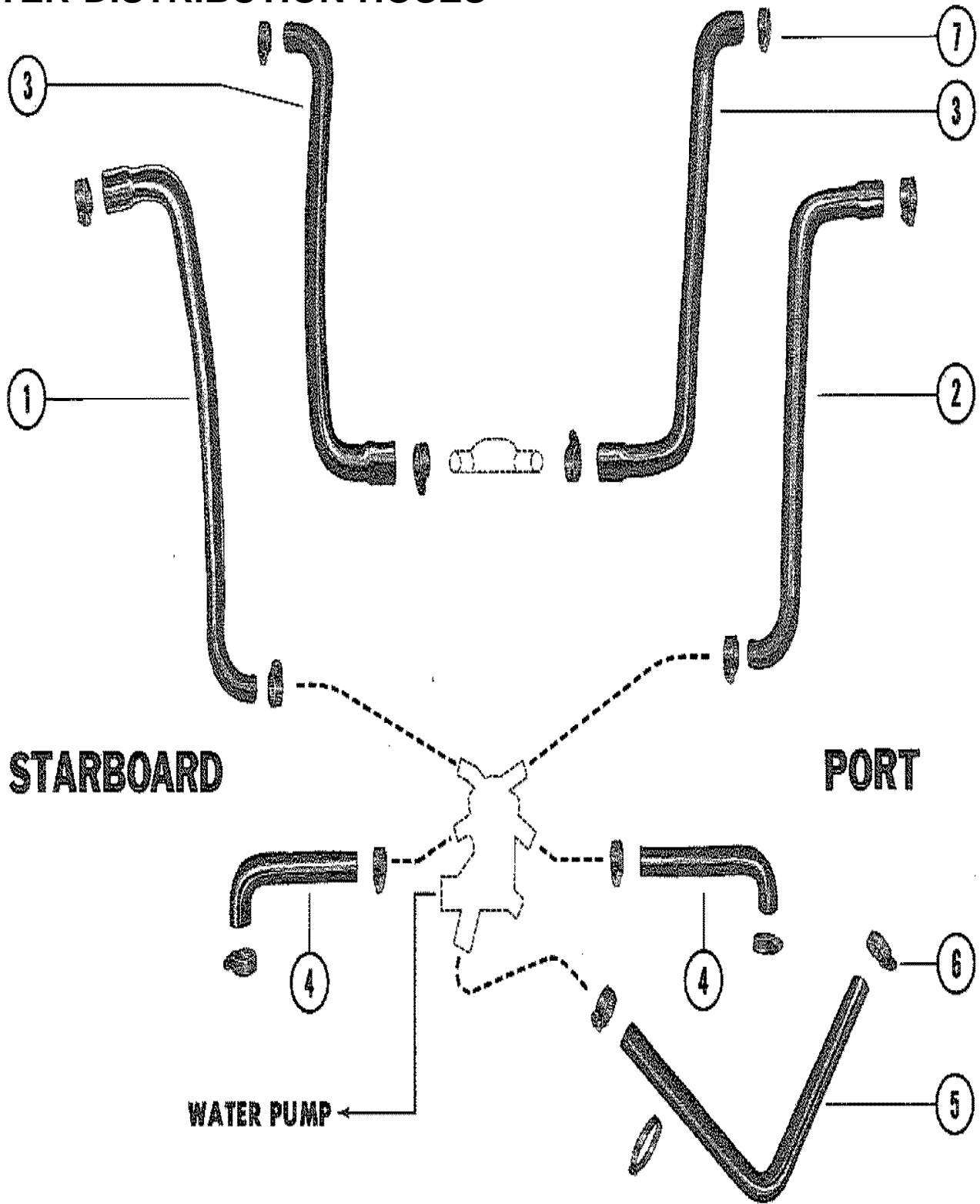
ENGINE MOUNTING



ENGINE MOUNTING

REF. NO.	PART NO.	SYM.	QTY.	DESCRIPTION
1	70938		2	BRACKET, MOUNTING - ENGINE
2	10-37612		3	SCREW, MOUNTING BRACKET TO ENGINE (1 1/4") - PORT SIDE
3	13-35048		3	LOCKWASHER, MOUNTING BRACKET SCREW - PORT SIDE
2	10-37612		1	SCREW, MOUNTING BRACKET TO ENGINE (1 1/4") - STARBOARD SIDE
3	13-35048		1	LOCKWASHER, MOUNTING BRACKET SCREW - STARBOARD SIDE
2	10-48424		2	SCREW, MOUNTING BRACKET TO ENGINE (1 5/8") - STARBOARD SIDE
3	13-35048		2	LOCKWASHER, MOUNTING BRACKET SCREW - STARBOARD SIDE
4	66284		2	BRACKET, MOUNTING
5	11-20739		4	NUT, JAM - MOUNTING BRACKET
6	13-68102		2	LOCKWASHER, MOUNTING BRACKET

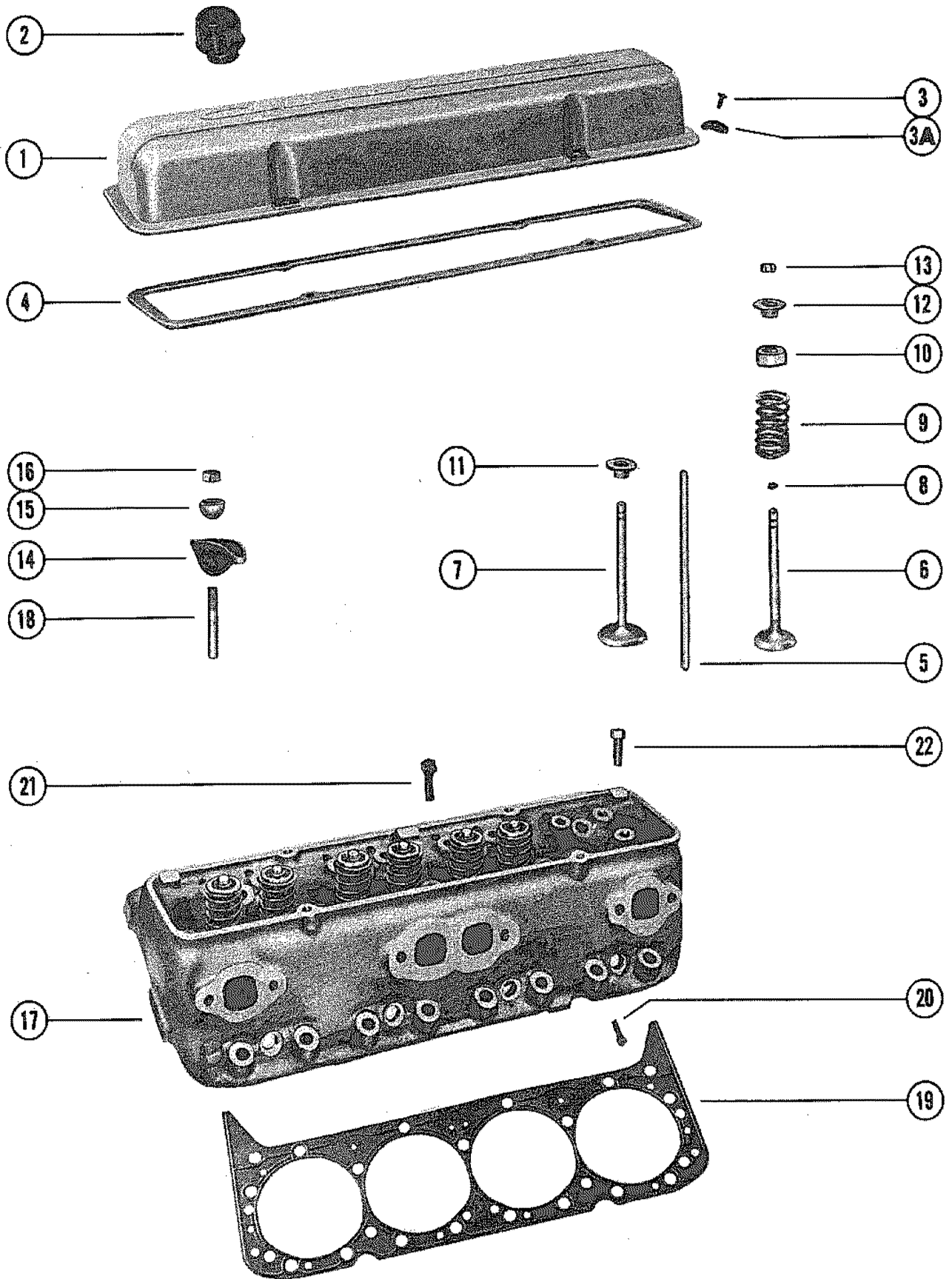
WATER DISTRIBUTION HOSES



WATER DISTRIBUTION HOSES

REF. NO.	PART NO.	SYM.	QTY.	DESCRIPTION
1 & 2	32-73796		2	HOSE, THERMOSTAT COVER TO EXH. ELBOWS (REAR)
3	32-73794		1	HOSE, THERMOSTAT HSG. TO EXH. MAN. (STBD.)
	32-73795		1	HOSE, THERMOSTAT HSG. TO EXH. MAN. (PORT)
4	32-48132		2	HOSE, THERMOSTAT HOUSING TO EXHAUST MANIFOLD (FRONT)
5	32-71613		1	HOSE, THERMOSTAT HOUSING TO OIL COOLER
6	54-32780		2	CLAMP, HOSE TO OIL COOLER AND THERMOSTAT HOUSING
7	54-32880		12	CLAMP, HOSE ATTACHING

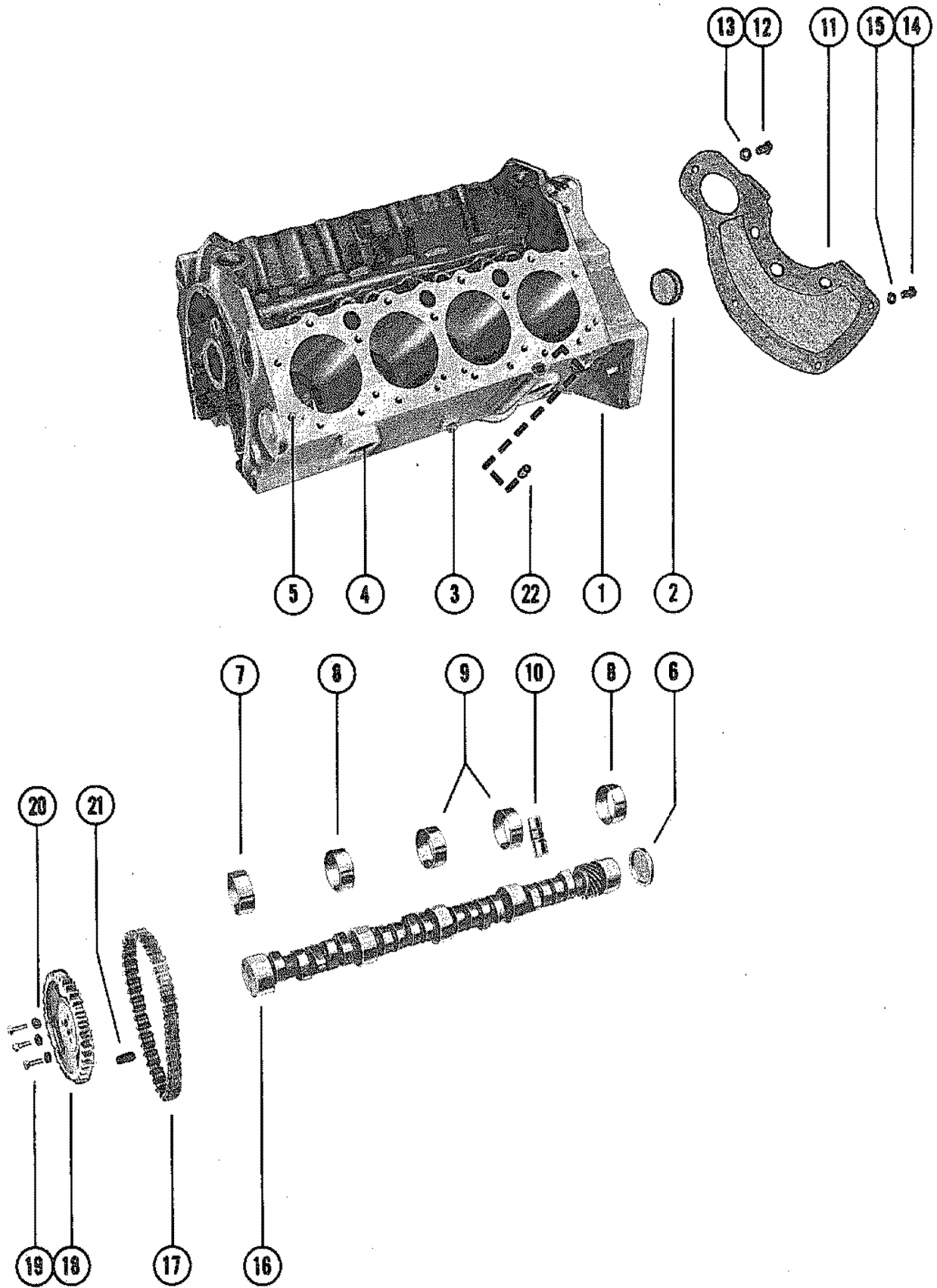
ROCKER COVER AND CYLINDER HEAD



ROCKER COVER AND CYLINDER HEAD

REF. NO.	PART NO.	SYM.	QTY.	DESCRIPTION
1	72639		2	COVER, ROCKER
2	49288		1	CAP, OIL FILLER
-	37-77254		1	DECAL, WAVES
-	37-77555		2	DECAL, ROCKER COVER (250 H.P.)
3	10-35366		8	SCREW, ROCKER VALVE COVER TO CYLINDER HEAD (1/2")
3A	49174		8	REINFORCEMENT, VALVE ROCKER COVER
4	27-52202		2	GASKET, ROCKER VALVE COVER
5	35330		16	ROD, VALVE PUSH
6	35323		8	VALVE, EXHAUST (STANDARD)
	49076		AR	VALVE, EXHAUST (.015 O.S.)
7	52365		8	VALVE, INLET (STANDARD)
	72641		AR	VALVE, INLET (.015 O.S.)
8	26-34217		16	SEAL, VALVE
9	24-48347		8	SPRING, VALVE (INLET)
	24-72642		8	SPRING, VALVE (EXHAUST)
10	34518		16	SHIELD, VALVE SPRING CAP
11	48348		8	CAP, INLET VALVE
12	35328		8	ROTATOR ASSEMBLY, VALVE SPRING - EXHAUST VALVE
13	28-54797		32	KEY, VALVE STEM
14	35329		16	ARM, ROCKER VALVE
15	35331		16	BALL UNIT, ROCKER VALVE ARM
16	11-34516		16	NUT, ROCKER VALVE ARM STUD
17	938-4625		2	CYLINDER HEAD ASSEMBLY
18	16-34522		AR	STUD, ROCKER VALVE ARM (.033 O.S.)
	16-34521		AR	STUD, ROCKER VALVE ARM (.013 O.S.)
19	27-75611		2	GASKET, CYLINDER HEAD
20	10-35317		16	BOLT, CYLINDER HEAD TO CYLINDER BLOCK (1 3/4")
21	10-35318		4	BOLT, CYLINDER HEAD TO CYLINDER BLOCK (3")
22	10-35316		14	BOLT, CYLINDER HEAD TO CYLINDER BLOCK (3 3/4")

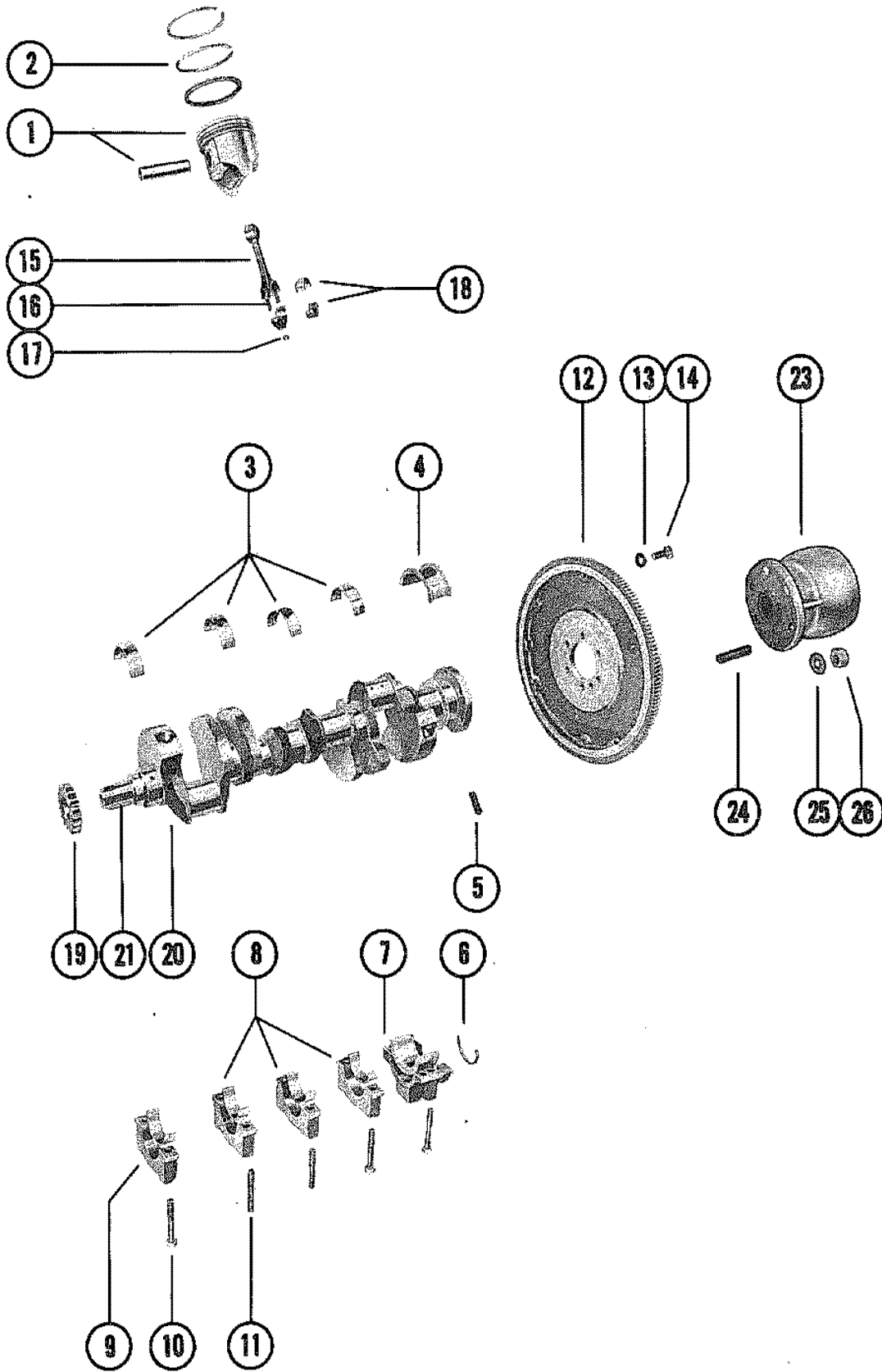
CYLINDER BLOCK AND CAMSHAFT



CYLINDER BLOCK AND CAMSHAFT

REF. NO.	PART NO.	SYM.	QTY.	DESCRIPTION
1	81-6368		1	CYLINDER BLOCK ASSEMBLY
2	19-35308		2	PLUG, EXPANSION - CYLINDER BLOCK (1 1/4")
3	22-64426		2	DRAIN COCK, CYLINDER BLOCK
4	19-34270		8	PLUG, EXPANSION - CYLINDER BLOCK (1 5/8" DIA.)
-	19-45670		6	PLUG, EXPANSION - CYLINDER BLOCK (1/2" DIA.)
-	22-48340		9	PLUG, PIPE - CYLINDER BLOCK (1/4" DIA.)
5	17-35465		4	PIN, DOWEL - CYLINDER BLOCK TO CYLINDER HEAD (5/16" DIA.)
6	22-72640		1	PLUG, EXPANSION - CAMSHAFT BEARING HOLE
7	23-34984		1	BEARING UNIT, CAMSHAFT (FRONT)
8	23-34985		2	BEARING UNIT, CAMSHAFT (FRONT INTERMEDIATE AND REAR)
9	23-34986		2	BEARING UNIT, CAMSHAFT (CENTER AND REAR INTERMEDIATE)
10	72638		16	LIFTER, HYDRAULIC VALVE - TAPPET
11	71995		1	COVER, TRANSMISSION HOUSING
12	10-20031		1	SCREW, COVER ATTACHING (1/2")
13	13-26992		1	LOCKWASHER, COVER SCREW
14	10-33231		3	SCREW, COVER ATTACHING (1/2")
15	13-39107		3	LOCKWASHER, COVER SCREW
16	431-5943		1	CAMSHAFT
17	35378		1	CHAIN, CAMSHAFT TIMING
18	43-35338		1	SPROCKET, CAMSHAFT TIMING (44 TEETH)
19	10-34505		3	BOLT, CAMSHAFT TIMING SPROCKETS (3/4")
20	12-39167		3	WASHER, CAMSHAFT TIMING SPROCKET BOLT
21	17-24813		1	PIN, DOWEL - CAMSHAFT TIMING SPROCKET (1/4" DIA.)
22	19-71900		1	PLUG, OIL LEVEL GAUGE HOLE - CYLINDER BLOCK

CRANKSHAFT AND PISTONS

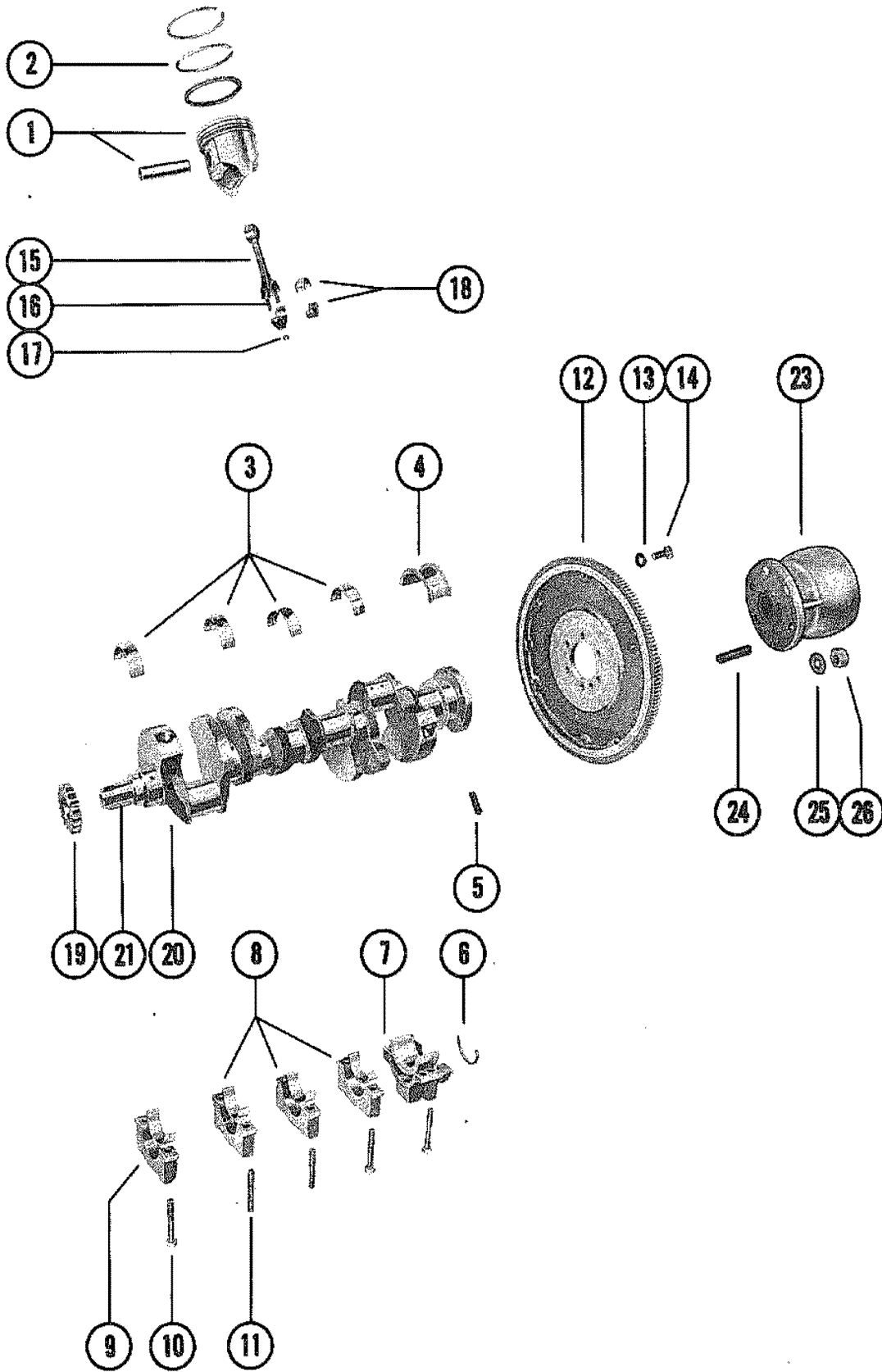


CRANKSHAFT AND PISTONS

REF. NO.	PART NO.	SYM.	QTY.	DESCRIPTION
1	735-6370		AR	PISTON AND PISTON PIN ASSEMBLY (.001 O.S.) - USE STD. RING
	735-6371		AR	PISTON AND PIN ASSEMBLY (.030 O.S.)
2	39-65153		8	RING, PISTON - 8 SETS (STANDARD)
	39-67126		AR	RING, PISTON - 8 SETS (.030 O.S.)
3	23-52205		4	BEARING UNIT, CRANKSHAFT (STANDARD)
	23-52206		AR	BEARING UNIT, CRANKSHAFT MAIN (.001 U.S.)
	23-52207		AR	BEARING UNIT, CRANKSHAFT MAIN (.002 U.S.)
	23-52209		AR	BEARING UNIT, CRANKSHAFT MAIN (.010 U.S.)
	23-52210		AR	BEARING UNIT, CRANKSHAFT MAIN (.020 U.S.)
4	23-52211		1	BEARING UNIT, CRANKSHAFT MAIN - REAR (STANDARD)
	23-52212		AR	BEARING UNIT, CRANKSHAFT MAIN - REAR (.001 U.S.)
	23-52213		AR	BEARING UNIT, CRANKSHAFT MAIN - REAR (.002 U.S.)
	23-52215		AR	BEARING UNIT, CRANKSHAFT MAIN - REAR (.010 U.S.)
	23-52216		AR	BEARING UNIT, CRANKSHAFT MAIN - REAR (.020 U.S.)
5	17-24813		1	PIN, DOWEL - REAR CRANKSHAFT BEARING CAP (1/4" DIA.)
6	26-58203		2	OIL SEAL, REAR CRANKSHAFT BEARING CAP
7	52217		1	CAP, REAR - CRANKSHAFT BEARING CAP
8	58213		3	CAP, INTERMEDIATE - CRANKSHAFT (BEARING)
9	54789		1	CAP, FRONT - CRANKSHAFT BEARING
	54789		4	CAP, FRONT AND INTERMEDIATE - CRANKSHAFT BEARING
10	10-54788		5	BOLT, CRANKSHAFT BEARING CAP TO CYLINDER BLOCK (2 31/32")
	10-49106		6	BOLT, CRANKSHAFT BEARING CAP TO CYLINDER BLOCK (2 1/2")
11	16-54790		5	STUD, OIL PAN BAFFLE ATTACHING
-	17-35312		4	PIN, DOWEL - CRANKCASE FRONT END COVER AND OIL PUMP
12	222-4521		1	FLYWHEEL ASSEMBLY
13	13-39131		6	LOCKWASHER, FLYWHEEL SCREW
14	10-49845		6	SCREW, FLYWHEEL TO CRANKSHAFT
15	614-3595		8	CONNECTING ROD ASSEMBLY
16	10-52220		16	BOLT, CONNECTING ROD CAP
17	11-37493		16	NUT, CONNECTING ROD CAP BOLT
18	23-52221		1	BEARING SET (4 PAIR), CONNECTING ROD (STANDARD)
	23-52222		AR	BEARING UNIT (PAIR), CONNECTING ROD (.001 U.S.)
	23-52223		AR	BEARING UNIT (PAIR), CONNECTING ROD (.002 U.S.)
	23-52224		AR	BEARING UNIT (PAIR), CONNECTING ROD (.010 U.S.)
	23-52225		AR	BEARING UNIT (PAIR), CONNECTING ROD (.020 U.S.)
19	43-48338		1	SPROCKET, CRANKSHAFT TIMING (22 TEETH)
20	429-6369		1	CRANKSHAFT

CONTINUED ON NEXT PAGE ➡

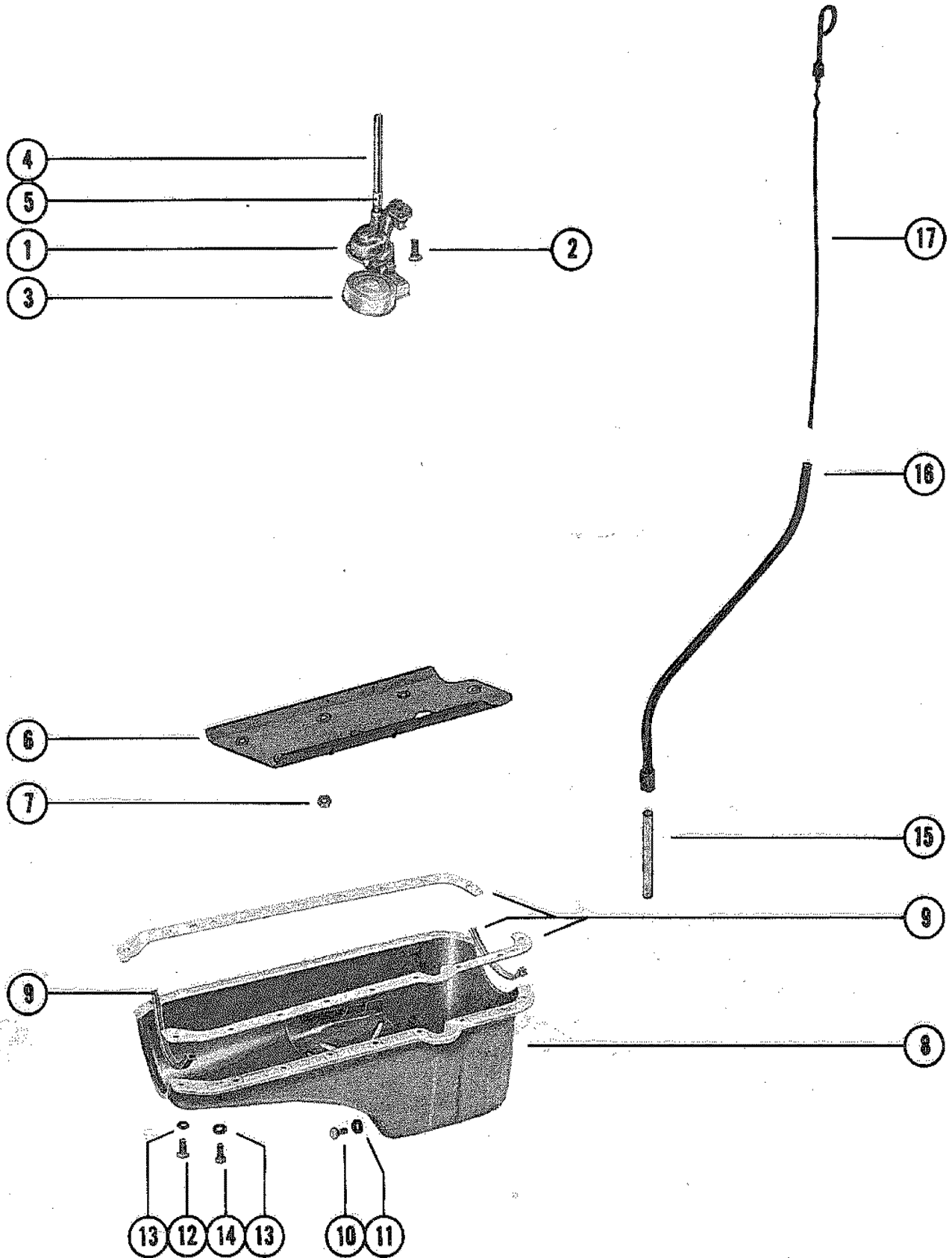
CRANKSHAFT AND PISTONS



CRANKSHAFT AND PISTONS

REF. NO.	PART NO.	SYM.	QTY.	DESCRIPTION
21	28-34466		2	KEY, CRANKSHAFT PULLEY AND BALANCER
23	76850A2		1	ENGINE COUPLING ASSEMBLY
24	16-32808		6	STUD, COUPLING TO FLYWHEEL
25	12-34567		6	WASHER, COUPLING STUD
26	11-34933		6	NUT, COUPLING STUD

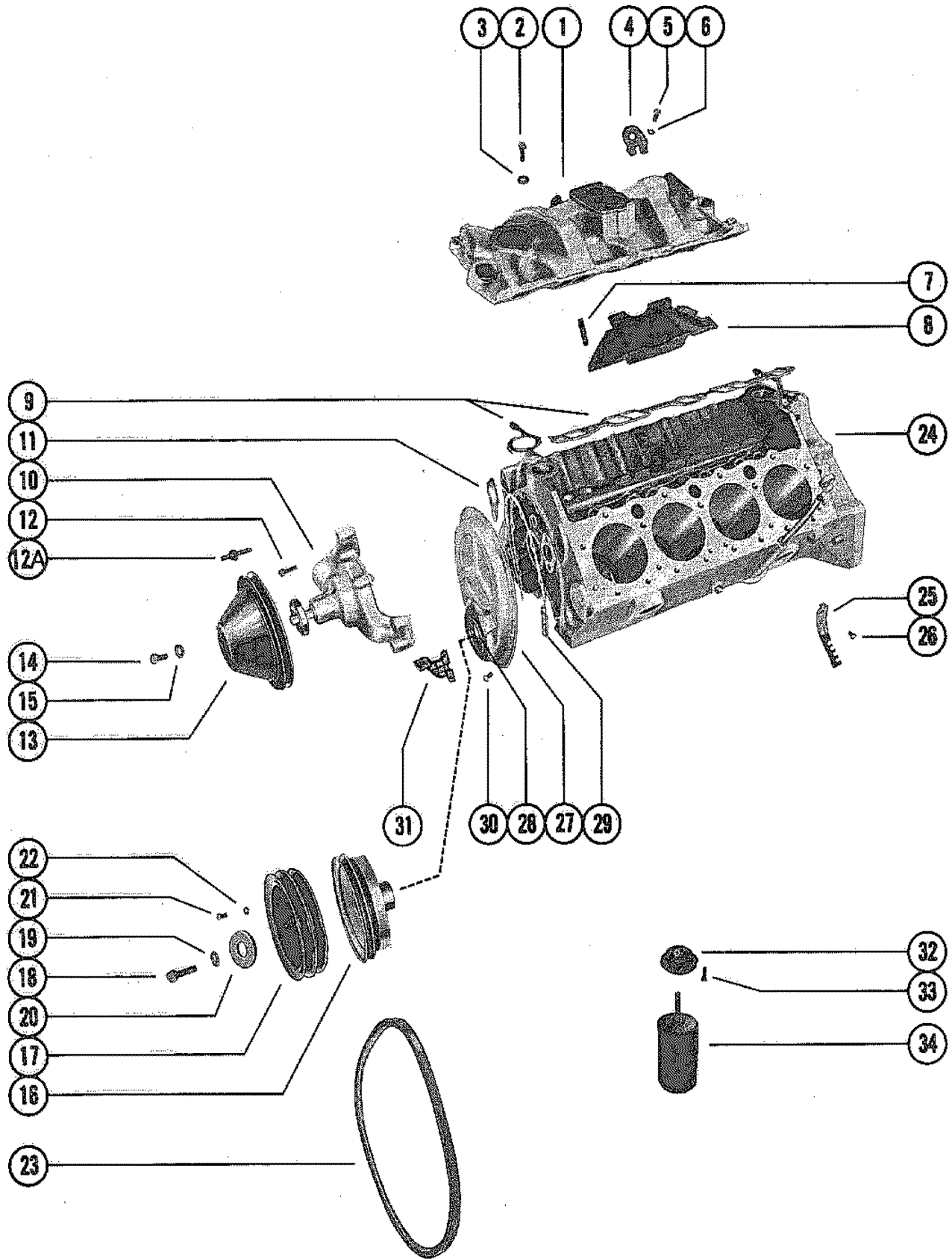
OIL PAN AND OIL PUMP



OIL PAN AND OIL PUMP

REF. NO.	PART NO.	SYM.	QTY.	DESCRIPTION
1	35352		1	OIL PUMP ASSEMBLY
2	10-48333		1	BOLT, OIL PUMP TO CYLINDER BLOCK (2")
3	72645		1	SCREEN ASSEMBLY, OIL PUMP
4	36184		1	SHAFT, OIL PUMP TO DISTRIBUTOR
5	23-36183		1	RETAINER, OIL PUMP SHAFT
6	52198		1	BAFFLE, OIL PAN (CYLINDER BLOCK)
7	11-37500		5	NUT, BAFFLE TO CYLINDER BLOCK STUD
8	72643		1	OIL PAN
9	27-72627		1	GASKET SET, OIL PAN
10	10-49956		1	SCREW, OIL PAN DRAIN
11	27-49955		1	GASKET, OIL PAN DRAIN SCREW
12	10-72644		4	SCREW, OIL PAN TO CYL. BLOCK (5/16 - 18 X 7/8")
13	13-39107		4	WASHER, OIL PAN SCREW
14	10-34277		14	SCREW, OIL PAN TO CYL. BLOCK (1/4 - 20 - 7/8")
15	72950		1	TUBE, OIL LEVER (LOWER)
16	32-72539		1	TUBE, OIL LEVEL GAUGE (UPPER)
17	72938		1	GAUGE, OIL LEVEL (DIPSTICK)

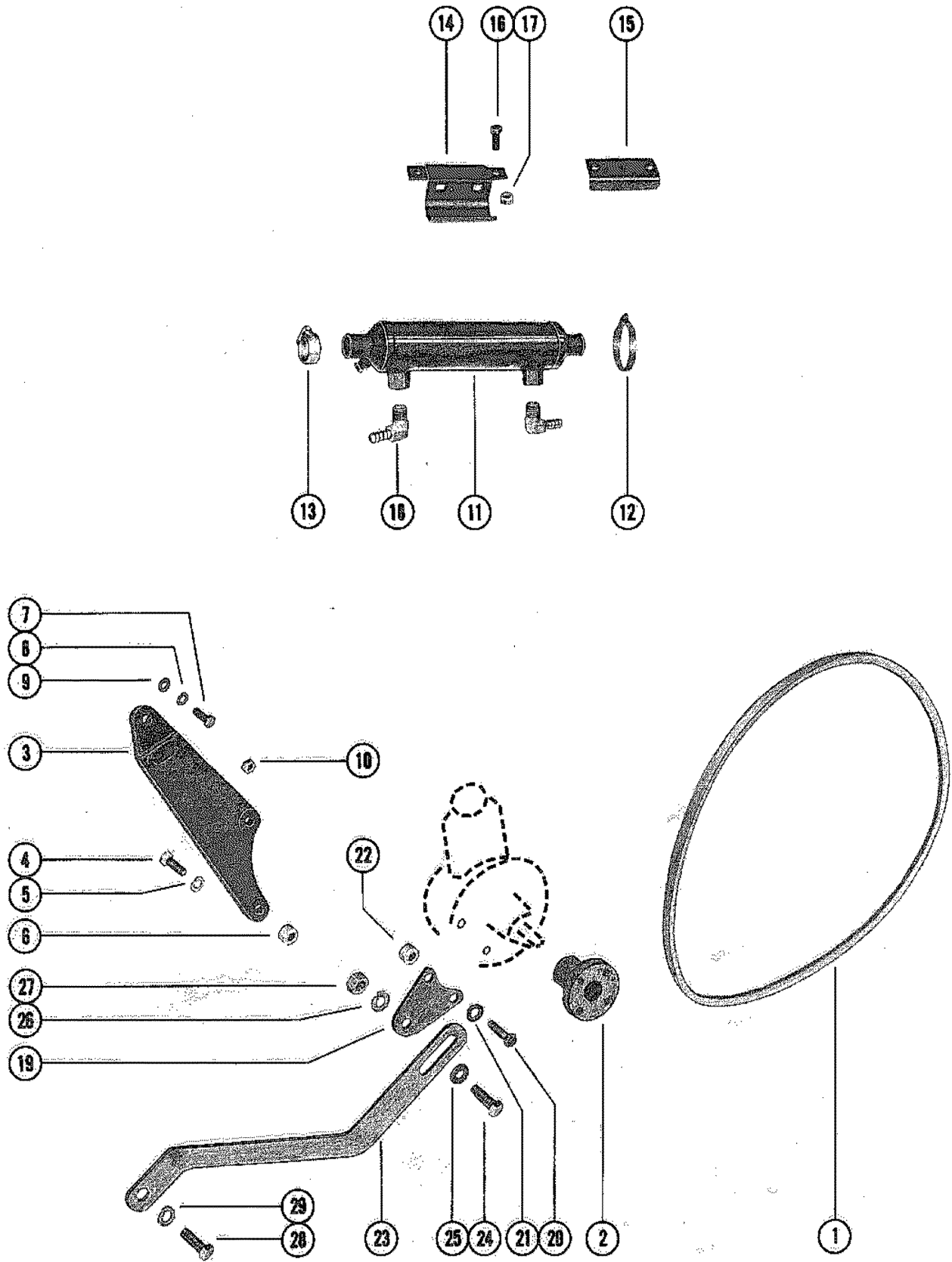
INTAKE MANIFOLD AND GASKET SETS



INTAKE MANIFOLD AND GASKET SETS

REF. NO.	PART NO.	SYM.	QTY.	DESCRIPTION
1	72646		1	INTKAE MANIFOLD
2	10-26487		9	BOLT, INTAKE MANIFOLD TO CYLINDER BLOCK (1 1/8")
	10-37510		3	BOLT, INTAKE MANIFOLD TO CYLINDER BLOCK (1 1/2")
3	12-49112		3	WASHER, INTAKE MANIFOLD BOLT
4	54-47512		1	EYE, LIFTING
5	10-34354		2	SCRE, LIFTING EYE ATTACHING (1 1/@")
6	13-35048		2	LOCKWASHER, LIFTING EYE SCREW
7	16-66203		4	STUD, GUARD TO INTAKE MANIFOLD
8	72647		1	GUARD, INTAKE MANIFOLD
9	27-72637		1	GASKET SET, INTAKE MANIFOLD
10	60658		1	WATER PUMP ASSEMBLY
11	27-34897		2	GASKET, WATER PUMP MOUNTING
12	10-52200		1	SCREW, WATER PUMP TO CYLINDER BLOCK (1 5/8")
	10-32132		1	SCREW, WATER PUMP TO CYLINDER BLOCK (2 3/4")
	10-35346		1	SCREW, WATER PUMP TO CYLINDER BLOCK
12A	16-35342		1	STUD, WATER PUMP TO CYLINDER BLOCK
13	52349		1	PULLEY, WATER PUMP
14	10-47277		4	SCREW, PULLEY TO WATER PUMP (3/4")
15	13-39107		4	LOCKWASHER, WATER PUMP PULLEY SCREW
16	75420		1	BALANCER, HARMONIC - CRANKSHAFT
17	75040		1	PULLEY, HARMONIC BALANCER
	33863		1	PULLEY, HARMONIC BALANCER
18	10-72626		1	BOLT, PULLEY AND HARMONIC BALANCER TO CRANKSHAFT (2")
19	13-39131		1	LOCKWASHER, PULLEY AND HARMONIC BALANCER BOLT
20	12-35332		1	WASHER, PULLEY AND HARMONIC BALANCER BOLT
21	10-35786		3	BOLT, CRANKSHAFT PULLEY TO HARMONIC BALANCER (1")
22	13-35048		3	LOCKWASHER, CRANKSHAFT PULLEY BOLT
23	57-48120		1	BELT, ALTERNATOR DRIVE (46")
25	35365		2	SUPPORT, SPARK PLUG LEAD WIRE
26	10-35366		2	SCREW, LEAD WIRE SUPPORT TO CYLINDER (2 1/2")
27	75612		1	COVER ASS"Y, CRANKCASE FRONT
28	26-59342		1	OIL SEAL, CRANKCASE FRONT COVER
29	27-34895		1	GASKET, CRANKCASE FRONT END COVER
30	10-34277		10	SCREW, CRANKCASE FRONT END COVER TO CYLINDER BLOCK (7/16")
31	75435A1		1	POINTER, TIMING
32	53338		1	FILTER VALVE ASSEMBLY
33	10-54786		2	SCREW, FILTER VALVE TO CYLINDER BLOCK
34	52731		1	OIL FILTER ASSEMBLY

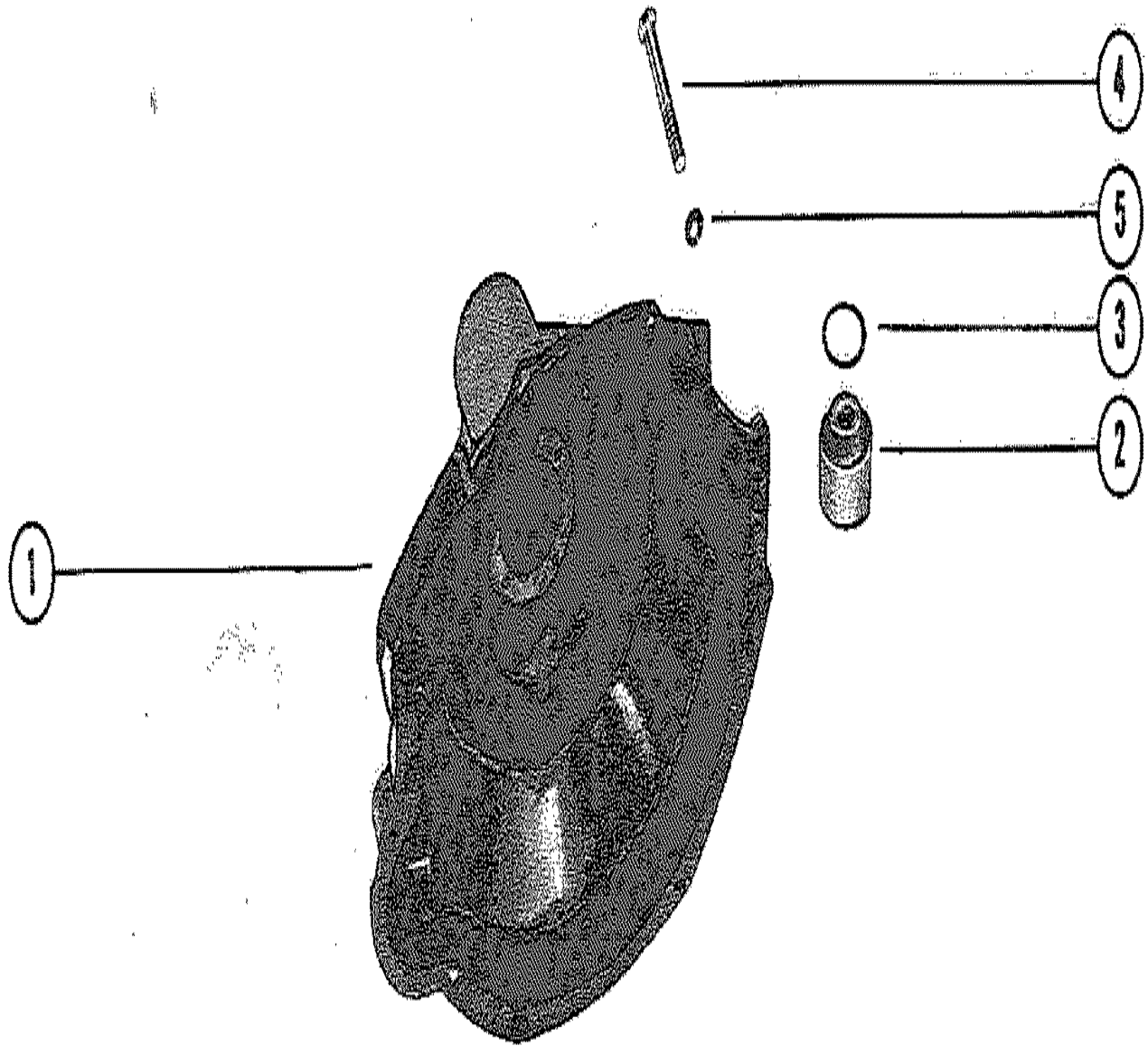
POWER STEERING COMPONENTS



POWER STEERING COMPONENTS

REF. NO.	PART NO.	SYM.	QTY.	DESCRIPTION
1	57-77274		1	V-BELT, STEERING PUMP (32 1/2")
2	73873		1	PULLEY, STEERING PUMP
3	57611		1	BRACKET, PUMP MOUNTING
4	10-34354		1	SCREW, STEERING PUMP TO BRACKET (1 3/4")
5	13-35048		1	LOCKWASHER, STEERING PUMP SCREW
6	23-36534		1	SPACER, STEERING PUMP SCREW
7	10-34354		2	SCREW, BRACKET TO CYLINDER BLOCK (1 1/2")
8	13-35048		2	LOCKWASHER, BRACKET SCREW
9	12-38622		1	WASHER, BRACKET SCREW (FOR SLOT)
10	11-68411		1	NUT, STEERING PUMP STUD
11	49770		1	OIL COOLER
12	54-32781		2	CLAMP, OIL COOLER TO BRACKET
13	54-64324		2	CLAMP, HOSE ATTACHING TO OIL COOLER
14	49748A1		1	BRACKET ASSEMBLY, OIL COOLER
15	49735		1	BRACKET, OIL COOLER MOUNT
16	10-27165		1	SCREW, OIL COOLER MOUNT BRACKET
17	11-52412		1	NUT, MOUNT BRACKET SCREW
18	22-37760		2	ELBOW, OIL COOLER
19	77577		1	BRACKET, HYDRAULIC PUMP
20	10-26487		2	SCREW, BRACKET TO HYDRAULIC PUMP
21	13-35048		2	LOCKWASHER, BRACKET SCREW
22	23-35365		2	SPACER, BRACKET SCREW
23	77570		1	BRACE, POWER STEERING PUMP
24	10-76926		1	SCREW, BRACE TO BRACKET (7/8")
25	12-34714		1	WASHER, BRACE SCREW
26	13-35048		1	LOCKWASHER, BRACE SCREW
27	11-32219		1	NUT, BRACE SCREW
28	10-76926		1	SCREW, BRACE TO ENGINE (7/8")
29	13-35048		1	LOCKWASHER, BRACE SCREW

FLYWHEEL HOUSING



FLYWHEEL HOUSING

REF. NO.	PART NO.	SYM.	QTY.	DESCRIPTION
1	76773A1		1	FLYWHEEL HOUSING ASSEMBLY
2	33149		2	MOUNT, RUBBER - FLYWHEEL HOUSING
3	23-46742		2	SPACER, RUBBER MOUNTING - FLYWHEEL HOUSING
4	10-26632		5	SCREW, FLYWHEEL HOUSING ATTACHING (1 1/4")
	10-45754		1	SCREW, FLYWHEEL HOUSING ATTACHING (2")
5	13-37459		6	LOCKWASHER, FLYWHEEL HOUSING SCREW (3/8")
	12-20572		1	WASHER, FLYWHEEL HOUSING SCREW - SPECIAL (3/8")

PARTS INDEX

Part Number	Description	Pg.	Ref. No.	Part Number	Description	Pg.	Ref. No.
26079	PLATE, WIRING HARNESS TO MOUNTING BRACKET	5	2	49748A1	BRACKET ASSEMBLY, OIL COOLER	37	14
32193	COIL, IGNITION	7	23	49770	OIL COOLER	37	11
32783	RETAINER, HIGH TENSION LEADS (3 WIRE)	7	34	52185	CLAMP, DISTRIBUTOR TO INTAKE MANIFOLD	7	20
32784	RETAINER, HIGH TENSION LEADS (4 WIRE)	7	34	52198	BAFFLE, OIL PAN (CYLINDER BLOCK)	33	6
33149	MOUNT, RUBBER - FLYWHEEL HOUSING	39	2	52217	CAP, REAR - CRANKSHAFT BEARING CAP	29	7
33863	PULLEY, HARMONIC BALANCER	35	17	52349	PULLEY, WATER PUMP	35	13
34518	SHIELD, VALVE SPRING CAP	25	10	52365	VALVE, INLET (STANDARD)	25	7
34623	OIL PRESSURE SENDER ASSEMBLY	3	15	52731	OIL FILTER ASSEMBLY	35	34
34625	WATER TEMPERATURE SENDER ASSEMBLY	3	12	53338	FILTER VALVE ASSEMBLY	35	32
35323	VALVE, EXHAUST (STANDARD)	25	6	54676	RETAINER, HIGH TENSION LEADS (2 WIRE)	7	34
35328	ROTATOR ASSEMBLY, VALVE SPRING - EXHAUST VALVE	25	12	54789	CAP, FRONT - CRANKSHAFT BEARING	29	9
35329	ARM, ROCKER VALVE	25	14	54789	CAP, FRONT AND INTERMEDIATE - CRANKSHAFT BEARING	29	9
35330	ROD, VALVE PUSH	25	5	54869	BRACKET, SOLENOID MOUNTING	17	17
35331	BALL UNIT, ROCKER VALVE ARM	25	15	55481	BASE, FUEL FILTER	9	11
35352	OIL PUMP ASSEMBLY	33	1	57611	BRACKET, PUMP MOUNTING	37	3
35363	BRACE, STARTER MOTOR	3	5	58213	CAP, INTERMEDIATE - CRANKSHAFT (BEARING)	29	8
35365	SUPPORT, SPARK PLUG LEAD WIRE	35	25	59137	THERMOSTAT (143)	19	9
35373	PLATE, FUEL PUMP MOUNTING	9	4	59825	SEPARATOR, EXHAUST	19	21
35377	ROD, PUSH - FUEL PUMP	9	7	59861A4	THERMOSTAT HOUSING ASSEMBLY	19	1
35378	CHAIN, CAMSHAFT TIMING	27	17	60207	PLATE, EXHAUST MANIFOLD	17	18
36184	SHAFT, OIL PUMP TO DISTRIBUTOR	33	4	60252	END CAP/CONNECTOR, EXHAUST MANIFOLD	17	7
45915	TERMINAL BLOCK	5	19	60658	WATER PUMP ASSEMBLY	35	10
47441	COVER, THERMOSTAT HOUSING	19	7	60930	SHUTTER, WATER-EXHAUST SEPARATOR	19	19
47498	BRACE, ALTERNATOR ADJUSTING	3	26	60931	RETAINER, WATER SHUTTER	19	20
47511	SLEEVE, THERMOSTAT HOUSING	19	2	61112	ROD, AUTOMATIC CHOKE	11	32
47737A1	EXHAUST MANIFOLD ASSEMBLY (PORT)	17	1	64884	TAB, WIRING HARNESS	5	7
47738A1	EXHAUST MANIFOLD ASSEMBLY (STARBOARD)	17	1	66198	COVER, AUTOMATIC CHOKE	11	30
47816	SIGHT GLASS	9	9	66284	BRACKET, MOUNTING	21	4
47833	FLAME ARRESTOR, CARBURETOR	11	16	69729	ALTERNATOR ASSEMBLY (SEE NOTE BELOW)	3	20
47957	CONNECTOR, VENT HOSE TO ROCKER COVER	11	21	70938	BRACKET, MOUNTING - ENGINE	21	1
48104	BRACKET, ALTERNATOR MOUNTING	3	32	70981	BELLOWS, EXHAUST ELBOW	19	16
48348	CAP, INLET VALVE	25	11	71646	FUEL PUMP ASSEMBLY	9	1
49076	VALVE, EXHAUST (.015 O.S.)	25	6	71995	COVER, TRANSMISSION HOUSING	27	11
49174	REINFORCEMENT, VALVE ROCKER COVER	25	3A	72625	CHOKE, AUTOMATIC - CARBURETOR	11	29
49288	CAP, OIL FILLER	25	2	72638	LIFTER, HYDRAULIC VALVE - TAPPET	27	10
				72639	COVER, ROCKER	25	1
				72641	VALVE, INLET (.015 O.S.)	25	7

PARTS INDEX

Part Number	Description	Pg.	Ref. No.	Part Number	Description	Pg.	Ref. No.
72643	OIL PAN	33	8	10-26487	SCREW, BRACKET TO HYDRAULIC PUMP	37	20
72645	SCREEN ASSEMBLY, OIL PUMP	33	3	10-26632	SCREW, FLYWHEEL HOUSING ATTACHING (1 1/4")	39	4
72646	INTAKE MANIFOLD	35	1	10-27165	SCREW, ALTERNATOR BRACE TO CYLINDER BLOCK (3/4")	3	29
72647	GUARD, INTAKE MANIFOLD	35	8	10-27165	SCREW, OIL COOLER MOUNT BRACKET	37	16
72938	GAUGE, OIL LEVEL (DIPSTICK)	33	17	10-28701	SCREW, CARBURETOR MOUNTING (3 1/2")	11	6
72950	TUBE, OIL LEVER (LOWER)	33	15	10-29198	SCREW, ALTERNATOR BRACE TO ALTERNATOR (7/8")	3	27
73738	ELBOW, EXHAUST	19	13	10-32132	SCREW, WATER PUMP TO CYLINDER BLOCK (2 3/4")	35	12
73782	PLATE	17	18	10-33231	SCREW, COVER ATTACHING (1/2")	27	14
73873	PULLEY, STEERING PUMP	37	2	10-33389	SCREW, THERMOSTAT HOUSING ATTACHING (4 1/4")	19	11
74905A3	DISTRIBUTOR ASSEMBLY, COMPLETE	7	1	10-34277	SCREW, CRANKCASE FRONT END COVER TO CYLINDER BLOCK (7/16")	35	30
75040	PULLEY, HARMONIC BALANCER	35	17	10-34277	SCREW, FUEL PUMP MOUNTING PLATE	9	6
75420	BALANCER, HARMONIC - CRANKSHAFT	35	16	10-34277	SCREW, OIL PAN TO CYL. BLOCK (1/4 - 20 - 7/8")	33	14
75435A1	POINTER, TIMING	35	31	10-34354	SCRE, LIFTING EYE ATTACHING (1 1/@")	35	5
75612	COVER ASS"Y, CRANKCASE FRONT	35	27	10-34354	SCREW, BRACKET TO CYLINDER BLOCK (1 1/2")	37	7
76351A1	EXHAUST ELBOW ASSEMBLY	17	10	10-34354	SCREW, MOUNTING BRACKET ATTACHING (1 1/2")	5	5
76668A1	EXHAUST ELBOW ASSEMBLY	17	10	10-34354	SCREW, STEERING PUMP TO BRACKET (1 3/4")	37	4
76773A1	FLYWHEEL HOUSING ASSEMBLY	39	1	10-34370	SCREW, AIR HORN TO FLOAT BOWL (1")	13	6
76850A2	ENGINE COUPLING ASSEMBLY	31	23	10-34505	BOLT, CAMSHAFT TIMING SPROCKETS (3/4")	27	19
77234A2	EXHAUST MANIFOLD ASSEMBLY (PORT)	17	1	10-34544	SCREW, STARTER MOTOR TO CYLINDER BLOCK (1 15/16")	3	7
77235A2	EXHAUST MANIFOLD ASSEMBLY (STARBOARD)	17	1	10-34545	SCREW, STARTER MOTOR TO CYLINDER BLOCK (4 21/32")	3	7
77294	BRACKET, IGNITION COIL MOUNTING	7	24	10-35316	BOLT, CYLINDER HEAD TO CYLINDER BLOCK (3 3/4")	25	22
77440	BRACKET, MOUNTING - HARNESS AND CIRCUIT BREAKER	5	4	10-35317	BOLT, CYLINDER HEAD TO CYLINDER BLOCK (1 3/4")	25	20
77453	BRACKET, MOUNTING - FUEL FILTER	9	13	10-35318	BOLT, CYLINDER HEAD TO CYLINDER BLOCK (3")	25	21
77570	BRACE, POWER STEERING PUMP	37	23	10-35346	SCREW, WATER PUMP TO CYLINDER BLOCK	35	12
77577	BRACKET, HYDRAULIC PUMP	37	19	10-35366	SCREW, LEAD WIRE SUPPORT TO CYLINDER (2 1/2")	35	26
77580	BRACKET, MOUNTING - THROTTLE CABLE	11	23				
10-20031	SCREW, COVER ATTACHING (1/2")	27	12				
10-20055	SCREW, GROUND CABLE TO ALTERNATOR	3	21				
10-22391	SCREW, TERMINAL BLOCK	5	20				
10-22958	SCREW, THROTTLE CABLE TO CARBURETOR 91 1/8")	11	10				
10-24637	SCREW, CIRCUIT BREAKER TO BRACKET (7/8")	5	16				
10-25299	SCREW, IGNITION COIL ATTACHING (3/4")	7	29				
10-26066	SCREW, FULE FILTER TO MOUNTING BRACKET (1 1/4")	9	14				

PARTS INDEX

Part Number	Description	Pg.	Ref. No.	Part Number	Description	Pg.	Ref. No.
10-35374	SCREW, FUEL PUMP TO MOUNTING PLATE (1 1/8")	9	3	10-54786	SCREW, FILTER VALVE TO CYLINDER BLOCK	35	33
10-35386	SCREW, END CAP TO EXHAUST MANIFOLD (1")	17	9	10-54788	BOLT, CRANKSHAFT BEARING CAP TO CYLINDER BLOCK (2 31/32")	29	10
10-35765	SCREW, BRACE TO ENGINE (5/8")	3	6	10-59994	SCREW, AUTOMATIC CHOKE THERMOSTAT (5/8")	11	31
10-35786	BOLT, CRANKSHAFT PULLEY TO HARMONIC BALANCER (1")	35	21	10-60835	SCREW, EXHAUST SEPARATOR TO GIMBAL HOUSING (5")	19	22
10-37510	BOLT, INTAKE MANIFOLD TO CYLINDER BLOCK (1 1/2")	35	2	10-60992	SCREW, EXHAUST ELBOW TO EXHAUST SEPARATOR (1 1/4")	19	14
10-37612	SCREW, EXHAUST SEPARATOR TO GIMBAL HOUSING (1 1/4")	19	23	10-62568	SCREW, TERMINAL BLOCK	5	20
10-37612	SCREW, MOUNTING BRACKET TO ENGINE (1 1/4")	21	2	10-66652	SCREW, BRACKET TO IGNITION COIL (1 1/2")	7	25
10-37612	SCREW, MOUNTING BRACKET TO ENGINE (1 1/4") - PORT SIDE	21	2	10-69028	SCREW, STARTER SOLENOID TO MOUNTING BRACKET (3/4")	5	9
10-45754	SCREW, FLYWHEEL HOUSING ATTACHING (2")	39	4	10-72626	BOLT, PULLEY AND HARMONIC BALANCER TO CRANKSHAFT (2")	35	18
10-46718	SCREW, WIRING HARNESS PLATE TO MOUNTING BRACKET (3/4")	5	3	10-72644	SCREW, OIL PAN TO CYL. BLOCK (5/16 - 18 X 7/8")	33	12
10-47277	SCREW, PULLEY TO WATER PUMP (3/4")	35	14	10-73657	SCREW, END CAP AND FUEL FILTER BRACKET (1 1/4") - STBD.	17	9
10-48137	SCREW, AIR HORN TO FLOAT BOWL (3/8")	13	5	10-76926	SCREW, ALTERNATOR BRACKET TO EXHAUST MANIFOLD (7/8")	3	33
10-48139	SCREW, CHOKE VALVE TO CHOKE SHAFT	13	20	10-76926	SCREW, BRACE TO BRACKET (7/8")	37	24
10-48144	SCREW, IDLE STOP	13	41	10-76926	SCREW, BRACE TO ENGINE (7/8")	37	28
10-48308	SCREW, ALTERNATOR TO ALTERNATOR BRACKET (3 3/4")	3	35	11-20190	NUT, THROTTLE CABLE SCREW	11	15
10-48333	BOLT, OIL PUMP TO CYLINDER BLOCK (2")	33	2	11-20361	NUT, STARTER SOLENOID SCREW	5	22
10-48395	SCREW, AIR HORN TO FLOAT BOWL (3")	13	7	11-20586	NUT, FLAME ARRESTOR STUD	11	18
10-48424	SCREW, MOUNTING BRACKET TO ENGINE (1 5/8")	21	2	11-20586	NUT, THROTTLE CABLE STUD	11	28
10-49106	BOLT, CRANKSHAFT BEARING CAP TO CYLINDER BLOCK (2 1/2")	29	10	11-20645	NUT, CIRCUIT BREAKER TERMINAL	5	--
10-49138	SCREW, VACUUM CONTROL BRACKET TO FLOAT BOWL	13	30	11-20645	NUT, IGNITION COIL TERMINAL	7	28
10-49845	SCREW, FLYWHEEL TO CRANKSHAFT	29	14	11-20645	NUT, OIL PRESSURE SENDER TERMINAL (#10)	3	17
10-49956	SCREW, OIL PAN DRAIN	33	10	11-20645	NUT, WATER TEMPERATURE SENDER TERMINAL (#10)	3	14
10-52200	SCREW, WATER PUMP TO CYLINDER BLOCK (1 5/8")	35	12	11-20739	NUT, JAM - MOUNTING BRACKET	21	5
10-52220	BOLT, CONNECTING ROD CAP	29	16	11-20890	NUT, STARTER MOTOR STUD	3	4
10-53728	SCREW, EXHAUST MANIFOLD TO CYLINDER HEAD (4 5/8")	17	6	11-23161	NUT, ALTERNATOR BRACKET SCREW	3	38

PARTS INDEX

Part Number	Description	Pg.	Ref. No.	Part Number	Description	Pg.	Ref. No.
11-28941	NUT, JAM - FLAME ARRESTOR	11	3	12-34567	WASHER, COUPLING STUD	31	25
11-32219	NUT, BRACE SCREW	37	27	12-34714	WASHER, BRACE SCREW	37	25
11-32219	NUT, STARTER TERMINAL (3/8")	3	9	12-35332	WASHER, PULLEY AND HARMONIC BALANCER BOLT	35	20
11-34516	NUT, ROCKER VALVE ARM STUD	25	16	12-38622	WASHER, BRACKET SCREW (FOR SLOT)	37	9
11-34933	NUT, COUPLING STUD	31	26	12-39167	WASHER, CAMSHAFT TIMING SPROCKET BOLT	27	20
11-35814	NUT, FUEL FILTER SCREW	9	16	12-49112	WASHER, INTAKE MANIFOLD BOLT	35	3
11-37493	NUT, CONNECTING ROD CAP BOLT	29	17	12-53705	WASHER, FUEL FILTER BRACKET SCREW	9	20
11-37500	NUT, BAFFLE TO CYLINDER BLOCK STUD	33	7	12-56681	WASHER, CARBURETOR LEVER	11	13
11-46438	NUT, CIRCUIT BREAKER SCREW	5	18	13-26992	LOCKWASHER, COVER SCREW	27	13
11-46438	NUT, TERMINAL BLOCK SCREW	5	21	13-26992	LOCKWASHER, STARTER MOTOR STUD	3	3
11-46793	NUT, CARBURETOR MOUNTING STUD	11	9	13-26993	LOCKWASHER, IGNITION COIL ATTACHING SCREW	7	31
11-49838	NUT, EXHAUST ELBOW TO EXHAUST MANIFOLD STUD	17	15	13-26993	LOCKWASHER, STARTER SOLENOID TERMINAL (5/16")	5	13
11-52412	NUT, MOUNT BRACKET SCREW	37	17	13-26995	LOCKWASHER, STARTER TERMINAL (#8)	3	10
11-68219	NUT, STARTER SOLENOID TERMINAL (10-32)	5	12	13-26996	LOCKWASHER, CIRCUIT BREAKER TERMINAL	5	--
11-68292	NUT, STARTER TERMINAL (5/16")	5	14	13-26996	LOCKWASHER, GROUND CABLE SCREW	3	22
11-68411	NUT, STEERING PUMP STUD	37	10	13-26996	LOCKWASHER, IGNITION COIL TERMINAL	7	27
11-68531	NUT, ALTERNATOR TERMINAL	3	25	13-26996	LOCKWASHER, OIL PRESSURE SENDER TERMINAL (#10)	3	16
12-20084	WASHER, CARBURETOR MOUNTING STUD AND SCREW	11	8	13-26996	LOCKWASHER, STARTER SOLENOID TERMINAL (#10)	5	11
12-20084	WASHER, FULE FILTER SCREW	9	15	13-26996	LOCKWASHER, WATER TEMP. SENDER TERMINAL (#10)	3	13
12-20084	WASHER, IGNITION COIL ATTACHING SCREW	7	30	13-35048	LOCKWASHER, ALTERNATOR BRACE SCREW	3	30
12-20128	WASHER, THROTTLE CABLE SCREW	11	14	13-35048	LOCKWASHER, ALTERNATOR BRACKET SCREW	3	34
12-20553	WASHER, ALTERNATOR BRACE SCREW	3	31	13-35048	LOCKWASHER, BRACE SCREW	37	26
12-20553	WASHER, ALTERNATOR BRACKET SCREW	3	37	13-35048	LOCKWASHER, BRACE SCREW	37	29
12-20572	WASHER, FLYWHEEL HOUSING SCREW - SPECIAL (3/8")	39	5	13-35048	LOCKWASHER, BRACKET SCREW	37	21
12-22937	WASHER, FLAME ARRESTOR STUD	11	17	13-35048	LOCKWASHER, BRACKET SCREW	37	8
12-26168	WASHER, ALTERNATOR BRACE SCREW	3	28	13-35048	LOCKWASHER, CRANKSHAFT PULLEY BOLT	35	22
12-26991	LOCKWASHER, ALTERNATOR TERMINAL	3	24	13-35048	LOCKWASHER, EXHAUST ELBOW SCREW	19	15
12-30164	WASHER, CIRCUIT BREAKER SCREW	5	17				
12-30164	WASHER, GROUND CABLE SCREW	3	23				
12-30164	WASHER, IGNITION COIL TERMINAL	7	26				

PARTS INDEX

Part Number	Description	Pg.	Ref. No.	Part Number	Description	Pg.	Ref. No.
13-35048	LOCKWASHER, EXHAUST SEPARATOR SCREW . . .	19	24	17-24813	PIN, DOWEL - REAR CRANKSHAFT BEARING CAP (1/4" DIA.)	29	5
13-35048	LOCKWASHER, LIFTING EYE SCREW	35	6	17-35312	PIN, DOWEL - CRANKCASE FRONT END COVER AND OIOL PUMP	29	--
13-35048	LOCKWASHER, MOUNTING BRACKET SCREW	5	6	17-35465	PIN, DOWEL - CYLINDER BLOCK TO CYLINDER HEAD (5/16" DIA.)	27	5
13-35048	LOCKWASHER, MOUNTING BRACKET SCREW	21	3	17-48140	PIN, HINGE - FLOAT	13	22
13-35048	LOCKWASHER, MOUNTING BRACKET SCREW	21	3	19-34270	PLUG, EXPANSION - CYLINDER BLOCK (1 5/8" DIA.)	27	4
13-35048	LOCKWASHER, MOUNTING BRACKET SCREW - PORT SIDE	21	3	19-35308	PLUG, EXPANSION - CYLINDER BLOCK (1 1/4")	27	2
13-35048	LOCKWASHER, STEERING PUMP SCREW	37	5	19-45670	PLUG, EXPANSION - CYLINDER BLOCK (1/2" DIA.)	27	-
13-37459	LOCKWASHER, EXHAUST ELBOW TO EXHAUST MANIFOLD STUD	17	14	19-71900	PLUG, OIL LEVEL GAUGE HOLE - CYLINDER BLOCK	27	22
13-37459	LOCKWASHER, FLYWHEEL HOUSING SCREW (3/8")	39	5	22-20025	PLUG, PIPE - FUEL FILTER (SLOTTED)	9	12
13-37459	LOCKWASHER, THERMOSTAT HOUSING SCREW	19	12	22-32802	PLUG, PIPE - EXHAUST ELBOW	17	11
13-39107	LOCKWASHER, COVER SCREW	27	15	22-32802	PLUG, PIPE - EXHAUST MANIFOLD	17	4
13-39107	LOCKWASHER, WATER PUMP PULLEY SCREW	35	15	22-32876	NIPPLE, SIGHT GLASS TO FUEL PUMP	9	8
13-39107	WASHER, OIL PAN SCREW	33	13	22-33198	PLUG, EXHAUST ELBOW	17	12
13-39131	LOCKWASHER, FLYWHEEL SCREW	29	13	22-33198	PLUG, THERMOSTAT HOUSING	19	4
13-39131	LOCKWASHER, PULLEY AND HARMONIC BALANCER BOLT	35	19	22-33821	ELBOW, FUEL LINE TO FUEL PUMP AND FUEL FILTER	9	17
13-68102	LOCKWASHER, MOUNTING BRACKET	21	6	22-36382	PLUG, PIPE = FUEL FILTER	9	12
16-32808	STUD, COUPLING TO FLYWHEEL	31	24	22-37760	ELBOW, OIL COOLER	37	18
16-33213	STUD, FLAME ARRESTOR MOUNTING - CARBURETOR	11	2	22-45084	FITTING, EXHAUST ELBOW	17	16
16-34521	STUD, ROCKER VALVE ARM (.013 O.S.)	25	18	22-46932	ELBOW, OIL PRESSURE SENDER	3	18
16-34522	STUD, ROCKER VALVE ARM (.033 O.S.)	25	18	22-47540	PLUG, THERMOSTAT HOUSING	19	3
16-35342	STUD, WATER PUMP TO CYLINDER BLOCK	35	12A	22-48118	PLUG, EXHAUST MANIFOLD	17	3
16-35897	STUD, THROTTLE CABLE TO MOUNTING BRACKET (1 11/16")	11	25	22-48340	PLUG, PIPE - CYLINDER BLOCK (1/4" DIA.)	27	-
16-46857	STUD, CARBURETOR MOUNTING (1 7/8")	11	7	22-48358	PLUG, INTAKE MANIFOLD VACUUM HOLE	11	5
16-49545	STUD, EXHAUST MANIFOLD TO ELBOW (1 3/4")	17	2	22-64426	DRAIN COCK, CYLINDER BLOCK	27	3
16-52387	STUD, STARTER MOTOR	3	2	22-72640	PLUG, EXPANSION - CAMSHAFT BEARING HOLE	27	6
16-54790	STUD, OIL PAN BAFFLE ATTACHING	29	11	22-73676	NIPPLE, OIL PRESSURE SENDER	3	19
16-66203	STUD, GUARD TO INTAKE MANIFOLD	35	7	23-31866	SPACER, THROTTLE CABLE STUD	11	27
				23-33186	BUSHING ALTERNATOR TO BRACKET SCREW	3	36
				23-34948	BUSHING, CARBURETOR LEVER	11	12

PARTS INDEX

Part Number	Description	Pg.	Ref. No.	Part Number	Description	Pg.	Ref. No.
23-34985	BEARING UNIT, CAMSHAFT (FRONT INTERMEDIATE AND REAR)	27	8	24-32817	SPTING, THROTTLE RETURN	11	24
23-34986	BEARING UNIT, CAMSHAFT (CENTER AND REAR INTERMEDIATE)	27	9	24-33050	SPRING, IDLE NEEDLE	15	52
23-35365	SPACER, BRACKET SCREW	37	22	24-34373	SPRING, IDLE STOP SCREW	15	42
23-36183	RETAINER, OIL PUMP SHAFT	33	5	24-48141	SPRING, POWER PISTON	13	38
23-36534	SPACER, STEERING PUMP SCREW	37	6	24-48142	SPRING, METERING ROD - PRIMARY	13	34
23-46742	SPACER, RUBBER MOUNTING - FLYWHEEL HOUSING	39	3	24-48143	SPRING, FILTER NUT	15	43
23-52205	BEARING UNIT, CRANKSHAFT (STANDARD)	29	3	24-48347	SPRING, VALVE (INLET)	25	9
23-52206	BEARING UNIT, CRANKSHAFT MAIN (.001 U.S.)	29	3	24-72642	SPRING, VALVE (EXHAUST)	25	9
23-52207	BEARING UNIT, CRANKSHAFT MAIIN (.002 U.S.)	29	3	25-35029	"O" RING, EXHAUST ELBOW TO TRANSOM PLATE	19	18
23-52209	BEARING UNIT, CRANKSHAFT MAIN (.010 U.S.)	29	3	25-52188	GROMMET, ROCKER COVER TO VENT HOSE CONNECTOR	11	22
23-52210	BEARING UNIT, CRANKSHAFT MAIN (.020 U.S.)	29	3	26-34217	SEAL, VALVE	25	8
23-52211	BEARING UNIT, CRANKSHAFT MAIN - REAR (STANDARD)	29	4	26-58203	OIL SEAL, REAR CRANKSHAFT BEARING CAP	29	6
23-52212	BEARING UNIT, CRANKSHAFT MAIN - REAR (.001 U.S.)	29	4	26-59342	OIL SEAL, CRANKCASE FRONT COVER	35	28
23-52213	BEARING UNIT, CRANKSHAFT MAIN - REAR (.002 U.S.)	29	4	27-33395	GASKET, EXHAUST MANIFOLD TO CYLINDER HEAD	17	5
23-52215	BEARING UNIT, CRANKSHAFT MAIN - REAR (.010 U.S.)	29	4	27-34213	GASKET, FULE PUMP TO CYLINDER BLOCK	9	2
23-52216	BEARING UNIT, CRANKSHAFT MAIN - REAR (.020 U.S.)	29	4	27-34895	GASKET, CRANKCASE FRONT END COVER	35	29
23-52221	BEARIING SET (4 PAIR), CONNECTING ROD (STANDARD)	29	18	27-34897	GASKET, WATER PUMP MOUNTING	35	11
23-52222	BEARING UNIT (PAIR), CONNECTING ROD (.001 U,S,)	29	18	27-34898	GASKET, FUEL PUMP MOUNTING PLATE	9	5
23-52223	BEARING UNIT (PAIR), CONNECTING ROD (.002 U.S.)	29	18	27-48042	GASKET, EXHAUST ELBOW	17	13
23-52224	BEARING UNIT (PAIR), CONNECTING ROD (.010 U.S.)	29	18	27-48043	GASKET, END CAP/CONNECTOR TO EXHAUST MANIFOLD	17	8
23-52225	BEARING UNIT (PAIR), CONNECTING ROD (.020 U.S.)	29	18	27-48818	GASKET, THERMOSTAT HOUSING (UPPER)	19	8
				27-49955	GASKET, OIL PAN DRAIN SCREW	33	11
				27-52076	GASKET, EXHAUST ELBOW	17	13
				27-52184	GASKET, DISTRIBUTOR	7	19
				27-52202	GASKET, ROCKER VALVE COVER	25	4
				27-52457	GASKET, CARBURETOR	11	4
				27-53045	GASKET, THERMOSTAT HOUSING TO MANIFOLD (LOWER)	19	10
				27-72627	GASKET SET, OIL PAN	33	9
				27-72637	GASKET SET, INTAKE MANIFOLD	35	9
				27-75611	GASKET, CYLINDER HEAD	25	19
				28-34466	KEY, CRANKSHAFT PULLEY AND BALANCER	31	21
				28-54797	KEY, VALVE STEM	25	13
				32-33189	HOSE, THERMOSTAT HOUSING TO WATER PUMP	19	5
				32-47996	HOSE, VENT - CARBURETOR (10")	11	19

PARTS INDEX

Part Number	Description	Pg.	Ref. No.	Part Number	Description	Pg.	Ref. No.
32-48132	HOSE, THERMOSTAT HOUSING TO EXHAUST MANIFOLD (FRONT)	23	4	57-48120	BELT, ALTERNATOR DRIVE (46")	35	23
32-71325	FUEL LINE, FUEL FILTER TO FUEL PUMP (STEEL TUBING)	9	18	57-77274	V-BELT, STEERING PUMP (32 1/2")	37	1
32-71326	FUEL LINE, FUEL PUMP TO CARBURETOR	9	19	76-95231	STUD, THROTTLE CABLE TO MOUNTING BRACKET (1 11/16")	11	26
32-71613	HOSE, THERMOSTAT HOUSING TO OIL COOLER	23	5	81-6368	CYLINDER BLOCK ASSEMBLY	27	1
32-72539	TUBE, OIL LEVEL GAUGE (UPPER)	33	16	84-65773A6	LEAD ASSEMBLY, PRIMARY TERMINAL	7	10
32-73794	HOSE, THERMOSTAT HSG. TO EXH. MAN. (STBD.) . .	23	3	84-67957--1	LEAD ASSEMBLY, HIGH TENSION (31")	7	32
32-73795	HOSE, THERMOSTAT HSG. TO EXH. MAN. (PORT) . . .	23	3	84-67957--4	LEAD ASSEMBLY, HIGH TENSION (34")	7	32
32-73796	HOSE, THERMOSTAT COVER TO EXH. ELBOWS (REAR)	23	1 & 2	84-67957--5	LEAD ASSEMBLY, HIGH TENSION (38 1/2")	7	32
32-77479A1	HOSE ADAPTOR ASSEMBLY, THERMOSTAT HSG. TO TRANSOM	19	25	84-67957--7	LEAD ASSEMBLY, HIGH TENSION (24")	7	32
33-59571	SPARK PLUG (AC #MR43T)	7	33	84-67957--8	LEAD ASSEMBLY, HIGH TENSION (37")	7	32
35-53336	FILTER, FUEL INLET	15	44	84-67957-10	LEAD ASSEMBLY, HIGH TENSION (29 1/2")	7	32
35-60494	FUEL FILTER	9	10	84-67957-11	LEAD ASSEMBLY, HIGH TENSION (42")	7	32
37-77254	DECAL, WAVES	25	-	84-75901	LEAD ASSEMBLY, DISTRIBUTOR TO COIL (5")	7	22
37-77555	DECAL, ROCKER COVER (250 H.P.)	25	-	84-77441	WIRING HARNESS	5	1
39-65153	RING, PISTON - 8 SETS (STANDARD)	29	2	88-65093	CIRCUIT BREAKER	5	15
39-67126	RING, PISTON - 8 SETS (.030 O.S.)	29	2	89-76416A1	STARTER SOLENOID	5	8
43-35338	SPROCKET, CAMSHAFT TIMING (44 TEETH)	27	18	222-4521	FLYWHEEL ASSEMBLY	29	12
43-48338	SPROCKET, CRANKSHAFT TIMING (22 TEETH)	29	19	391-5075	CAP, DISTRIBUTOR	7	2
50-69864A1	STARTER MOTOR ASSEMBLY (SEE NOTE BELOW)	3	1	391-5080	OILER	7	16
54-31765	CLAMP, BELLOWS (LARGE)	19	17	391-5083	VENT, SCREEN	7	15
54-32780	CLAMP, HOSE ADAPTOR . .	19	26	391-5084	PIN, CLAMP TO DISTRIBUTOR	7	12
54-32780	CLAMP, HOSE TO OIL COOLER AND THERMOSTAT HOUSING	23	6	391-5085	CLAMP, DISTRIBUTOR CAP ATTACHING	7	11
54-32781	CLAMP, HOSE TO THERMOSTAT HOUSING AND WATER PUMP	19	6	391-5086	WASHER, DISTRIBUTOR CAP SCREW	7	14
54-32781	CLAMP, OIL COOLER TO BRACKET	37	12	391-5087	SCREW, DISTRIBUTOR CAP ATTACHING	7	13
54-32880	CLAMP, HOSE ATTACHING	23	7	391-5089	SCREW, BREAKER ATTACHING	7	9
54-33683	CLAMP, BELLOWS (SMALL)	19	17	391-5090	BREAKER ASSEMBLY	7	8
54-47512	EYE, LIFTING	35	4	391-5091	CONDENSER BRACKET ATTACHING	7	7
54-53101	CLAMP, VENT HOSE ATTACHING	11	20	391-5092	CONDENSER	7	5
54-59989	CLIP, AUTOMATIC CHOKE ROD	11	33	391-5093	BRACKET, CONDENSER ATTACHING	7	6
54-64324	CLAMP, HOSE ATTACHING TO OIL COOLER	37	13	391-6389	GAASKET, DISTRIBUTION CAP	7	3
				391-6390	GEAR, DRIVE	7	17
				391-6391	PIN, DRIVE GEAR	7	18
				391-7057	ROTOR	7	4
				429-6369	CRANKSHAFT	29	20
				431-5943	CAMSHAFT	27	16
				614-3595	XONNECTING ROD ASSEMBLY	29	15

PARTS INDEX

Part Number	Description	Pg.	Ref. No.	Part Number	Description	Pg.	Ref. No.
735-6370	PISTON AND PISTON PIN ASSEMBLY (.001 O.S.) - USE STD. RING	29	1				
735-6371	PISTON AND PIN ASSEMBLY (.030 O.S.)	29	1				
938-4625	CYLINDER HEAD ASSEMBLY	25	17				
1347-6492A1	CARBURETOR ASSEMBLY .	11	1				
1347-6492A1	CARBURETOR ASSEMBLY, COMPLETE	13	-				
1397-3309	GASKET SET	15	--				
1397-3313	HOLDER KIT, SECONDARY METERING ROD	13	3				
1397-3315	SPRING AND CAM KIT, AIR VALVE	15	--				
1397-3317	CONTROL ASSEMBLY, VACUUM	13	31				
1397-3318	ROD, VACUUM CONTROL .	13	27				
1397-3320	HOSE, VACUUM	13	32				
1397-3323	LEVER, INTERMEDIATE CHOKE	13	23				
1397-3324	ROD, CHOKE	13	25				
1397-3326	RETAINER, PUMP DISCHARGE BALL	13	36				
1397-3327	FLOAT ASSEMBLY	13	21				
1397-3329	RETAINER, POWER PISTON	13	35				
1397-3330	NUT, FILTER - FUEL INLET .	15	45				
1397-3331	INSERT, FLOAT BOWL	13	39				
1397-3332	BAFFLE, FLOAT BOWL	13	24				
1397-3333	ROD, PUMP	15	48				
1397-3339	BRACKET ASSEMBLY, VACUUM CONTROL	13	29				
1397-4326	CHOKE SHAFT AND LEVER ASSEMBLY	13	18				
1397-4329	OVERHAUL KIT	15	--				
1397-4332	FLOAT BOWL ASSEMBLY . .	13	40				
1397-4333	SCREW, THROTTLE BODY TO FLOAT BOWL	15	53				
1397-4385	THROTTLE BODY ASSEMBLY	15	50				
1397-4587	VALVE, CHOKE - CHOKE SHAFT	13	19				
1397-5638	LEVER, ACTUATING - PUMP	13	8				
1397-5640	LEVER, AIR VALVE LOCKOUT	13	2				
1397-5641	POWER PISTON ASSEMBLY	13	33				
1397-5974	METERING ROD, SECONDARY	13	4				
1397-6641	AIR HORN ASSEMBLY	13	1				