



PARTS CATALOG

330 ENGINE (G.M.)

SERIAL NUMBER

330 GM 454 V-8 1977-1981	4623115 THRU 6083144
330 MIE GM 454 V-8 1977-1980	4623115 THRU 5889913

TABLE OF CONTENTS:

ALTERNATOR ASSEMBLY, COMPLETE (MOTOROLA)	90
CARBURETOR AND AUTOMATIC CHOKE	16
CARBURETOR ASSEMBLY, COMPLETE	20
CYLINDER BLOCK AND CAMSHAFT	38
CYLINDER HEAD AND ROCKER COVER	36
DISTRIBUTOR ASSEMBLY (STANDARD IGNITION)	10
DISTRIBUTOR ASSEMBLY (THUNDERBOLT IGNITION)	12
ENGINE MOUNTING	30
EXHAUST MANIFOLD AND EXHAUST ELBOW	24
FLYWHEEL HOUSING	28
FRESH WATER COOLING KIT (MIE 330)	104
FUEL PUMP AND FUEL FILTER	14
INTAKE MANIFOLD AND WATER PUMP	44
MOUNTING BRACKETS	52
OIL AND WATER SENSOR (INBOARD)	88
OIL COOLER, OIL FILTER AND HOSES	32
OIL PAN AND OIL PUMP	48
PARTS INDEX	106
PISTONS AND CRANKSHAFT	40
POWER STEERING COMPONENTS (STERN DRIVE)	56
POWER STEERING COMPONENTS (STERN DRIVE) WITH HOSES	54
REMOTE OIL FILTER ASSEMBLY	82
REVERSE LOCK VALVE (STERN DRIVE - MANUAL SHIFT)	84
REVERSE LOCK VALVE AND SHIFT ACTUATOR (STERN DRIVE)	66
SHIFT ACTUATOR ASSEMBLY (STERN DRIVE)	68
STARTER MOTOR AND ALTERNATOR	2
STARTER MOTOR ASSEMBLY, COMPLETE (B-50- 76965A3)	98
STARTER MOTOR ASSEMBLY, COMPLETE (B-50-77328A1)	92
THERMOSTAT HOUSING	26
TRANSMISSION ASSEMBLY (INBOARD)	70
TRANSMISSION ASSEMBLY (STERN DRIVE) PAGE 1	58
TRANSMISSION ASSEMBLY (STERN DRIVE) PAGE 2	62
TRANSMISSION ASSEMBLY (V-DRIVE)	74
WATER DISTRIBUTION HOSES	86
WATER PUMP ASSEMBLY	78
WIRING HARNESS, CIRCUIT BREAKER AND STARTER SOLENOID	8
WIRING HARNESS, SWITCH BOX AND IGNITION COIL	6

NOTE: Indented description indicate that these parts are included in preceeding assembly.

AR = As Required
OPT = Optional

NSS = Not Sold Separate
NS = Not Shown

THESE PARTS BOOKS/FICHE CARD ARE COPYRIGHTED AND MAY NOT BE DISTRIBUTED OR REPRODUCED IN ANY OTHER FORMAT BY ANYONE OTHER THAN MERCURY MARINE WITHOUT THE PRIOR WRITTEN CONSENT OF MERCURY MARINE.

REPLACEMENT PARTS ! WARNING !

Electrical, ignition and fuel system components on MerCruiser Engines and Stern Drives are designed and manufactured to comply with U.S. Coast Guard Rules and Regulations to minimize risks of fire or explosion. Use of replacement electrical, ignition or fuel system components, which do not comply to these rules and regulations, could result in a fire or explosion hazard and should be voided.

When servicing the electrical, ignition and fuel systems, it is extremely important that all components are properly installed and tightened. If not, any electrical or ignition component opening would permit sparks to ignite fuel vapors from fuel system leaks, if they existed.

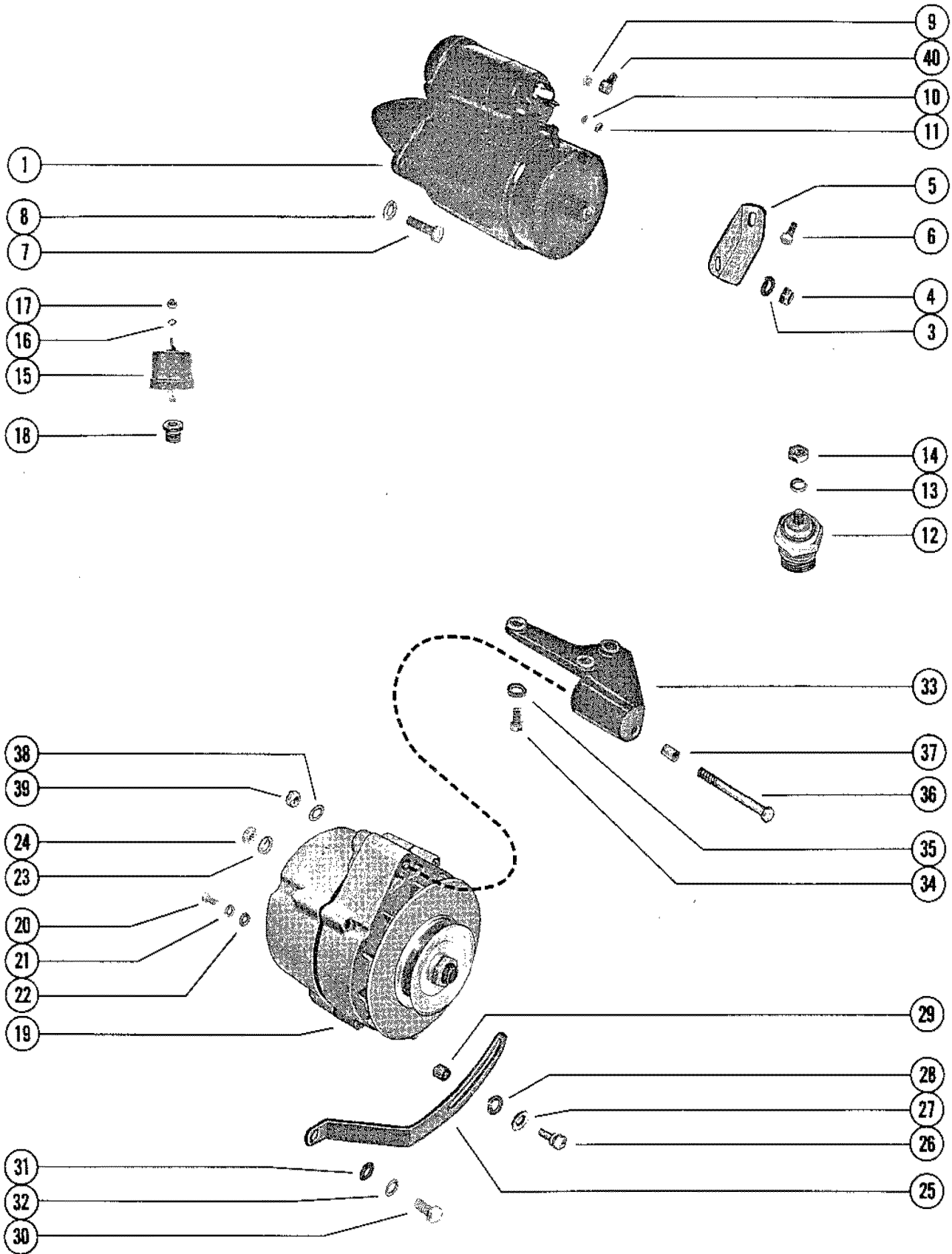
ENGINE MECHANICAL COMPONENTS

Many of the engine mechanical components are designed for marine applications. Unlike automotive engines, marine engines are subjected to extended periods of heavy load and wide- open-throttle operation, therefore, require heavy-duty components. Special marine engine parts have design and manufacturing specifications, which are required to provide long life and dependable performance. Marine engine parts also must be able to resist the corrosive action of salt or brackish water that will rust or corrode standard automotive parts within a short period of time.

Failure to use recommended Mercury Precision Parts OR Quicksilver service replacement parts can result in poor engine performance and/or durability, rapid corrosion of parts subjected to salt water and possibly complete failure of the engine.

Use of parts other than recommended service replacement parts will void the warranty on those parts which are damaged as a result of the use of other than recommended parts.

STARTER MOTOR AND ALTERNATOR

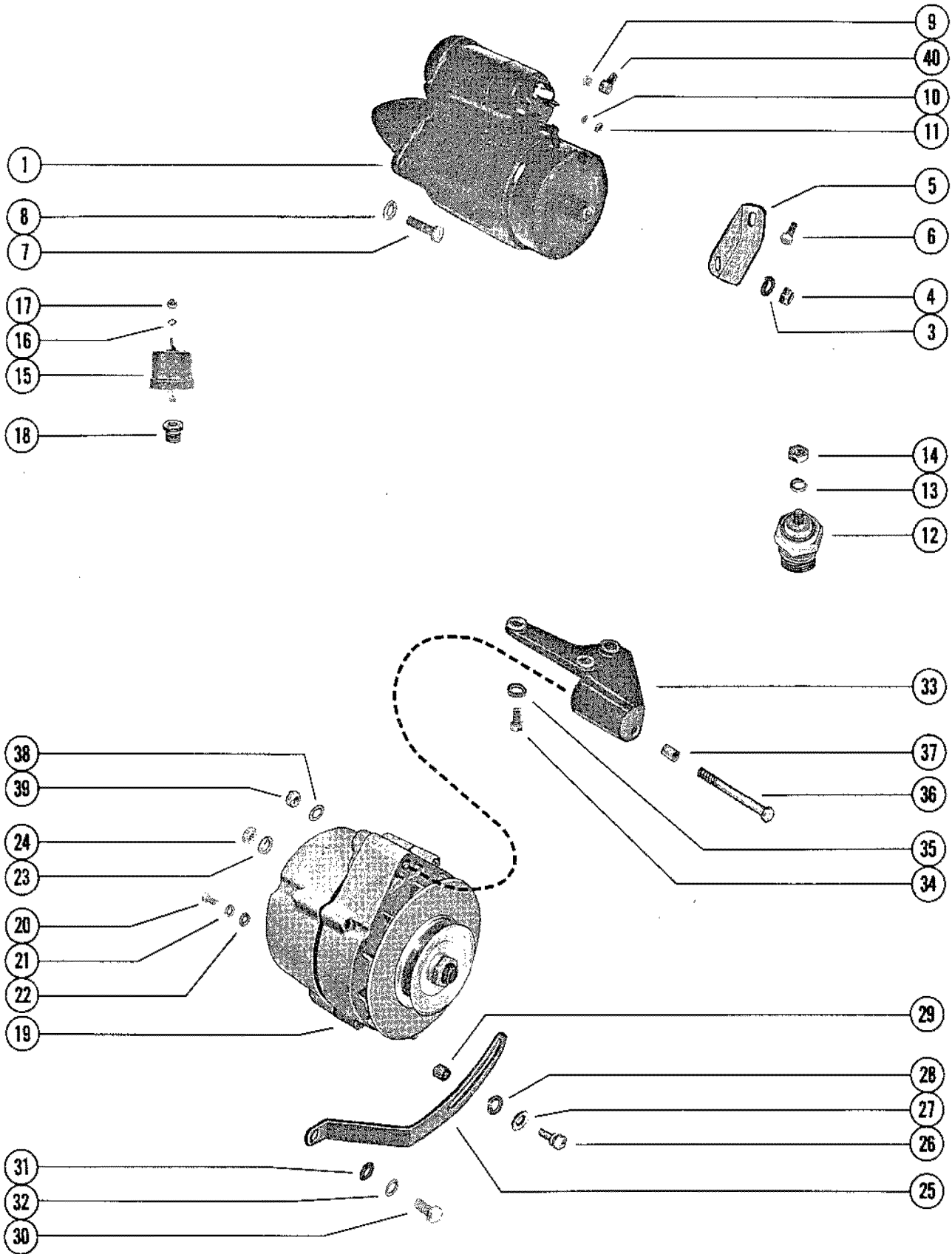


STARTER MOTOR AND ALTERNATOR

REF. NO.	PART NO.	SYM.	QTY.	DESCRIPTION
1	50-77328A1		1	STARTER MOTOR ASSEMBLY (STERN DRIVE) SEE NOTE BELOW
	50-77328A1		1	STARTER MOTOR ASSEMBLY (L.H. ROTATION) INBOARD SEE NOTE BELOW
	50-79604A3		1	STARTER MOTOR ASSEMBLY (R.H. ROTATION) INBOARD SEE NOTE BELOW
3	13-26992		1	LOCKWASHER, STARTER MOTOR BRACE STERN DRIVE
4	11-20890		1	NUT, STARTER MOTOR BRACE STERN DRIVE
5	78914		1	BRACE, STARTER MOTOR STERN DRIVE
6	10-35765		1	SCREW, BRACE TO ENGINE (5/8") STERN DRIVE
7	10-34545		1	SCREW, STARTER MOTOR TO CYLINDER BLOCK (4 21/32")-STERN DRIV
	10-47462		2	SCREW, STARTER MOTOR TO CYLINDER BLOCK (1 1/4")-INBOARD
8	13-32993		2	LOCKWASHER, STARTER MOTOR SCREW
9	11-86226		1	NUT, STARTER TERMINAL (3/8")
10	13-26995		2	LOCKWASHER, STARTER TERMINAL (#8)
11	11-26419		2	NUT, STARTER TERMINAL (#8)
12	97258		1	WATER TEMPERATURE SENDER ASSEMBLY
13	13-26996		1	LOCKWASHER, WATER TEMPERATURE SENDER TERMINAL (#10)
14	11-20645		1	NUT, WATER TEMPERATURE SENDER TERMINAL (#10)
15	90806		1	OIL PRESSURE SENDER ASSEMBLY
16	13-26996		1	LOCKWASHER, OIL PRESSURE SENDER TERMINAL (#10)
17	11-20645		1	NUT, OIL PRESSURE SENDER TERMINAL (#10)
15	38559		1	OIL PRESSURE SWITCH ASSEMBLY INBOARD
16	13-26996		1	LOCKWASHER, OIL PRESSURE SWITCH TERMINAL (#10) INBOARD
17	11-20645		1	NUT OIL, PRESSURED SWITCH TERMINAL (#10) INBOARD
18	22-64013		1	BUSHING, OIL PRESSURE SENDER
19	78403A1		1	ALTERNATOR ASSEMBLY (SEE NOTE BELOW)
20	10-20055		1	SCREW, GROUND CABLE TO ALTERNATOR USE WITH DELCO REMY ALTERNATOR
21	13-26996		1	LOCKWASHER, GROUND CABLE SCREW USE WITH DELCO REMY ALTERNATOR
22	12-30164		1	WASHER, GROUND CABLE SCREW USE WITH DELCO REMY ALTERNATOR
23	13-26991		1	LOCKWASHER, ALTERNATOR TERMINAL USE WITH DELCO REMY ALTERNATOR
24	11-68531		1	NUT, ALTERNATOR TERMINAL USE WITH DELCO REMY ALTERNATOR
23	13-26996		1	LOCKWASHER, ALTERNATOR TERMINAL USE WITH MOTOROLA ALTERNATOR
24	11-30968		1	NUT, ALTERNATOR TERMINAL (#10-24) USE WITH MOTOROLA ALTERNATOR
23	13-26992		1	LOCKWASHER, ALTERNATOR TERMINAL USE WITH MOTOROLA ALTERNATOR

CONTINUED ON NEXT PAGE ➡

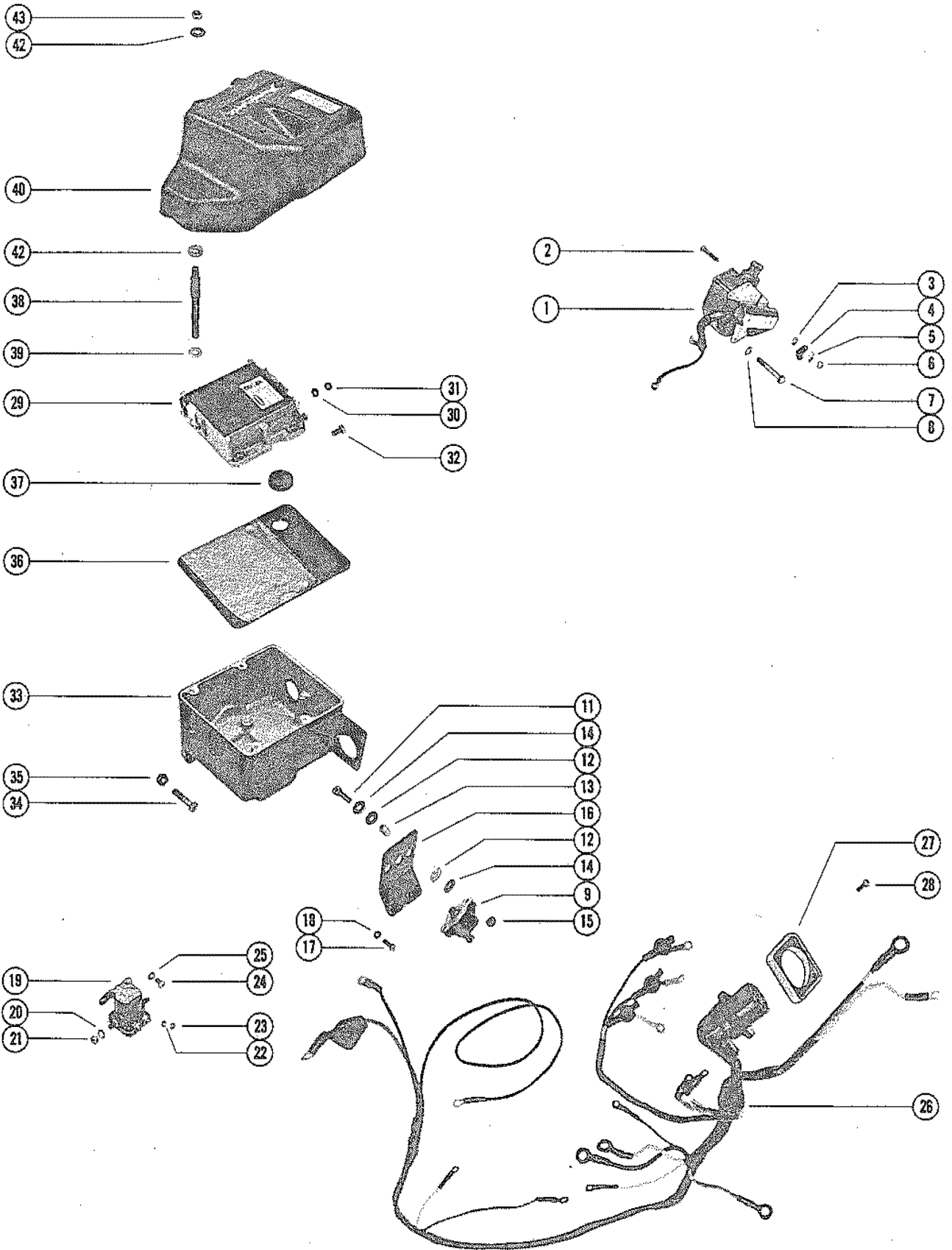
STARTER MOTOR AND ALTERNATOR



STARTER MOTOR AND ALTERNATOR

REF. NO.	PART NO.	SYM.	QTY.	DESCRIPTION
24	11-20890		1	NUT, ALTERNATOR TERMINAL USE WITH MOTOROLA ALTERNATOR
25	85013		1	BRACE, ALTERNATOR ADJUSTING
26	10-73657		1	SCREW, ALTERNATOR BRACE (1 1/2")-WITH POWER STEERING STERN DRIVE
	10-35386		1	SCREW, ALTERNATOR BRACE (1")-WITHOUT POWER STEERING STERN DRIVE
	10-29198		1	SCREW, ALTERNATOR BRACE (7/8")-INBOARD
27	12-26168		1	WASHER, ALTERNATOR BRACE SCREW
28	13-39107		1	LOCKWASHER, BRACE SCREW
29	23-36534		1	SPACER, ALTERNATOR BRACE SCREW-WITH POWER STEERING STERN DRIVE
30	10-47651		1	SCREW, BRACE TO ENGINE (1 1/2") WITHOUTH POWER STEERING STERN DRIVE
	10-47461		1	SCREW, BRACE TO ENGINE (1") WITH POWER STEERING STERN DRIVE
	10-31381		1	SCREW, BRACE TO ENGINE (1")-INBOARD
31	12-22248		1	WASHER, BRACE TO ENGINE SCREW
32	13-32993		1	LOCKWASHER, BRACE TO ENGINE SCREW
33	47487		1	BRACKET, ALTERNATOR MOUNTING
34	10-34353		2	SCREW, ALTERNATOR BRACKET TO EXHAUST MANIFOLD (1")
	10-35787		1	SCREW, ALTERNATOR BRACKET TO EXHAUST MANIFOLD (2 1/4")
35	13-35048		3	LOCKWASHER, ALTERNATOR BRACKET SCREW
36	10-48308		1	SCREW, ALTERNATOR TO ALTERNATOR BRACKET (3 3/4")
37	23-33186		1	BUSHING, ALTERNATOR TO BRACKET SCREW
38	12-20553		2	WASHER, ALTERNATOR BRACKET SCREW
39	11-23161		1	NUT, ALTERNATOR BRACKET SCREW
40	85-79695		1	INSULATOR BOOT, STARTER TERMINAL

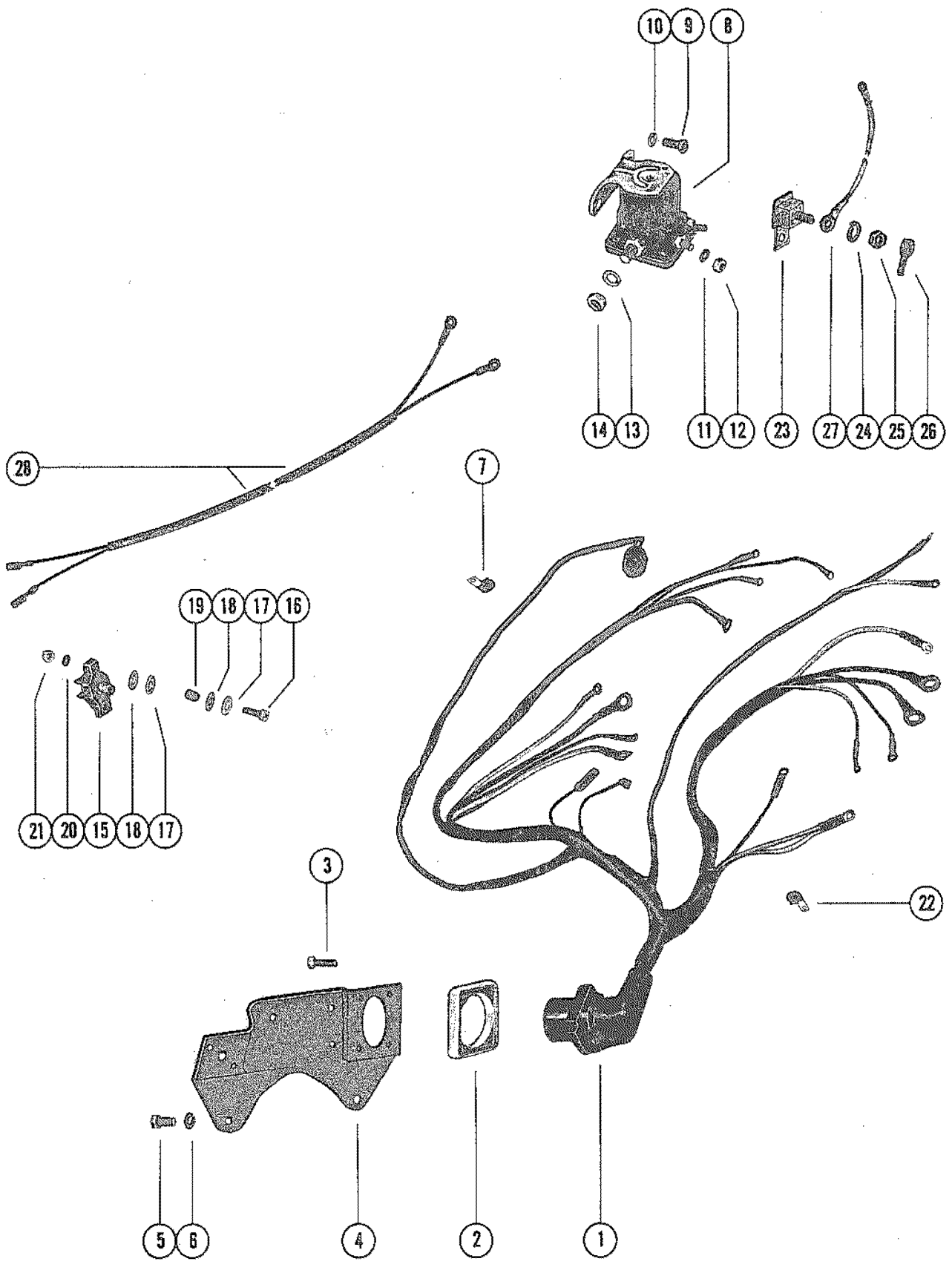
WIRING HARNESS, SWITCH BOX AND IGNITION COIL



WIRING HARNESS, SWITCH BOX AND IGNITION COIL

REF. NO.	PART NO.	SYM.	QTY.	DESCRIPTION
1	332-2983A17		1	IGNITION COIL ASSEMBLY
2	10-45102		1	SCREW, IGNITION COIL CLAMPING (2 3/8")
	10-45103		1	SCREW, IGNITION COIL CLAMPING (2")
3	12-37407		1	WASHER, IGNITION COIL SCREW
4	54-22740		1	CLIP, IGNITION COIL LEAD
5	22789		1	"D" WASHER, IGNITION COIL SCREW
6	11-20645		2	NUT, IGNITION COIL SCREW
7	10-27337		2	SCREW, IGNITION COIL TO ELECTRICAL COMPARTMENT
8	13-26992		2	IGNITION COIL SCREW
9	88-65093		1	CIRCUIT BREAKER,
11	10-47618		2	SCREW, CIRCUIT BREAKER TO BRACKET (1")
12	25-61999		4	GROMMET, CIRCUIT BREAKER SCREW
13	23-61998		2	SPACER, CIRCUIT BREAKER SCREW
14	12-47960		4	WASHER, CIRCUIT BREAKER SCREW
15	11-46438		2	NUT, CIRCUIT BREAKER SCREW
16	65940		1	BRACKET, CIRCUIT BREAKER
17	10-53787		2	SCREW, BRACKET TO ELECTRICAL COMPARTMENT (3/8")
18	13-26996		2	LOCKWASHER, BRACKET SCREW
19	25661		1	STARTER SOLENOID
20	13-26993		2	LOCKWASHER, STARTER SOLENOID TERMINAL (5/16")
21	11-20083		2	NUT, STARTER SOLENOID TERMINAL (5/16-24)
22	13-26996		2	LOCKWASHER, STARTER SOLENOID TERMINAL (#10)
23	11-20645		2	NUT, STARTER SOLENOID TERMINAL (10-32)
24	10-20031		2	SCREW, SOLENOID TO ELECTRICAL COMPARTMENT (1/2")
25	13-26992		2	LOCKWASHER, STARTER SOLENOID SCREW
26	84-64408		1	WIRING HARNESS
27	26079		1	PLATE, WIRING HARNESS TO MOUNTING BRACKET
28	10-46718		4	SCREW, WIRING HARNESS PLATE TO MOUNTING BRACKET (3/4")
29	332-2986A22		1	SWITCH BOX ASSEMBLY
30	13-26996		7	LOCKWASHER, SWITCH BOX TERMINAL
31	11-45076		7	NUT, SWITCH BOX TERMINAL
32	10-45218		1	SCREW, GROUND WIRE TO SWITCH BOX (3/8")
33	63878		1	COMPARTMENT, ELECTRICAL
34	10-52498		2	SCREW, ELECTRICAL COMPARTMENT TO ENGINE (1 1/2")
35	11-20696		2	NUT, ELECTRICAL COMPARTMENT SCREW
36	63879		1	PLATE, SWITCH BOX
37	25-57009		1	GROMMET, SWITCH BOX PLATE
38	16-65941		4	STUD, SWITCH BOX AND COVER ATTACHING
39	13-22773		4	LOCKWASHER, SWITCH BOX AND COVER STUD
40	65939A1		1	COVER ASSEMBLY, ELECTRICAL COMPARTMENT
42	12-21249		8	WASHER, COVER STUD
43	11-20664		4	NUT, COVER STUD

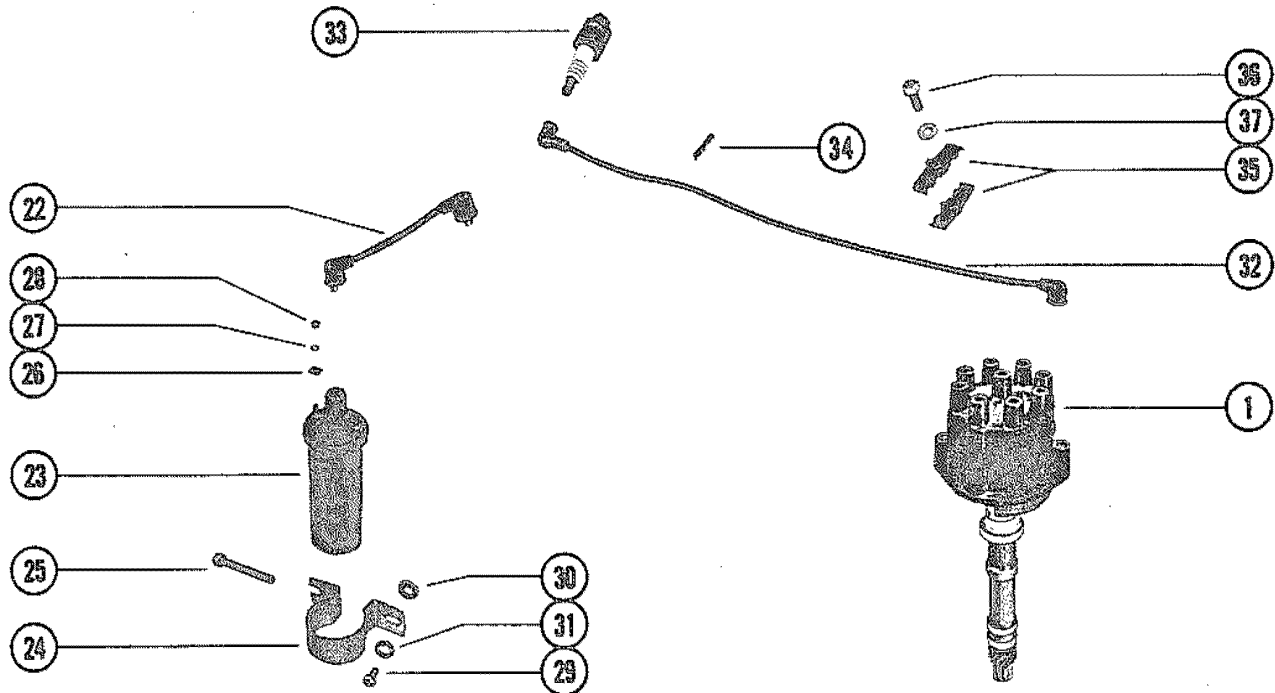
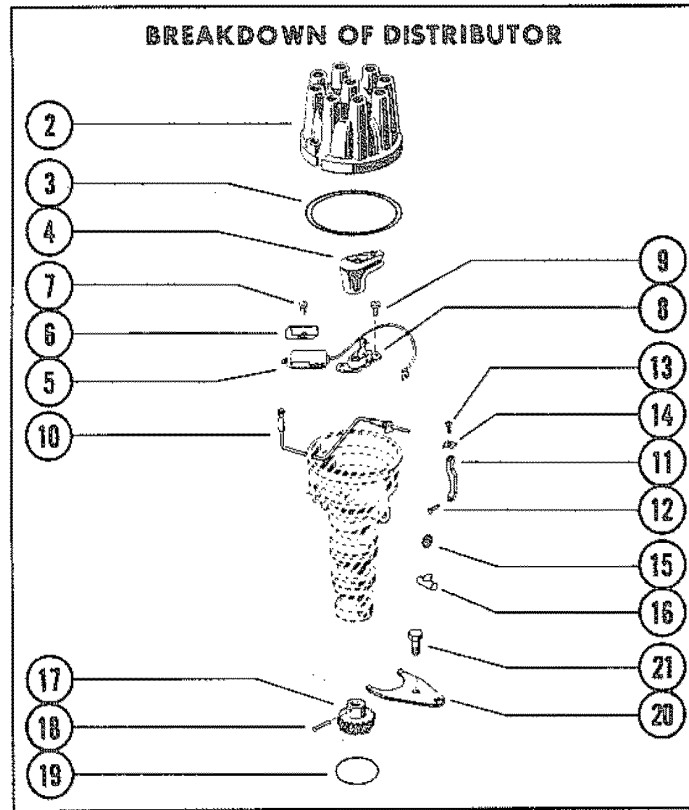
WIRING HARNESS, CIRCUIT BREAKER AND STARTER SOLENOID



WIRING HARNESS, CIRCUIT BREAKER AND STARTER SOLENOID

REF. NO.	PART NO.	SYM.	QTY.	DESCRIPTION
1	84-86683A2		1	WIRING HARNESS (STERN DRIVE)
	84-86677A2		1	WIRING HARNESS (INBOARD)
2	26079		1	PLATE< WIRING HARNESS TO MOUNTING BRACKET
3	10-46718		4	SCREW, WIRING HARNESS PLATE TO MOUNTING BRACKET (3/4")
4	87090		1	BRACKET, MOUTING - HARNESS AND CIRCUIT BREAEER
5	10-52498		2	SCREW, MOUNTING BRACKET ATTACHING (1 1/4")
6	13-32993		2	LOCKWASHER, MOUNTING BRACKET SCREW
7	64884		1	TAB, WIRING HARNESS
8	89-68258		1	STARTER SOLENOID
9	10-69054		2	SCREW, STARTER SOLENOID TO MOUNTING BRACKET (5/8")
10	13-26992		2	LOCKWASHER, STARTER SOLENOID SCREW
11	13-26996		2	LOCKWASHER, STARTER SOLENOID TERMINAL (#10)
12	11-68219		2	NUT, STARTER SOLENOID TERMINAL (10-32)
13	13-26993		2	LOCKWASHER, STARTER SOLENOID TERMINAL (5/16")
14	11-68292		2	NUT, STARTER SOLENOID TERMINAL (5/16")
15	88-65093		AR	CIRCUIT BREAKER (40 AMP)
	88-78813		AR	CIRCUIT BREAKER (50 AMP)
-	11-68219		2	NUT, CIRCUIT BREAKER TERMINAL
-	13-26996		2	LOCKWASHER, CIRCUIT BREAKER TERMINAL
16	10-47618		2	SCREW, CIRCUIT BREAKER TO BRACKET (1")
17	25-61999		4	GROMMET, CIRCUIT BREAKER SCREW
18	125-47960		4	WASHER, CIRCUIT BREAKER SCREW
19	23-61998		2	SPACER, CIRCUIT BREAKER GROMMET
20	12-30164		2	WASHER, CIRCUIT BREAKER SCREW
21	11-46438		2	NUT, CIRCUIT BREAKER SCREW
22	54-54178		1	"J" CLIP, WIRING HARNESS
	54-73668		1	"J" CLIP, WIRING HARNESS
23	88-79023A55		1	FUSE ASSEMBLY, 55 AMP USE WITH ENGINES EQUIPPED WITH FUSES SERIAL 00000000-05096978
	88-79023A90		1	FUSE ASSEMBLY, 90 AMP USE WITH ENGINES EQUIPPED WITH FUSES SERIAL 05096979-09999999
24	13-26992		1	LOCKWASHER, FUSE STUD USE WITH ENGINES EQUIPPED WITH FUSES
25	11-21825		1	NUT, FUST STUD USE WITH ENGINES EQUIPPED WITH FUSES
26	85-79695		1	BOOT, INSULATOR - FUSE STUD USE WITH ENGINES EQUIPPED WITH FUSES
27	84-79139A7		1	JUMPER WIRE, 90 AMP FUSE USE WITH ENGINES EQUIPPED WITH FUSES SERIAL 05096979-09999999
28	84-78581A3		1	WIRING HARNESS, ALTERNATOR USE WITH ENGINES EQUIPPED WITH FUSES

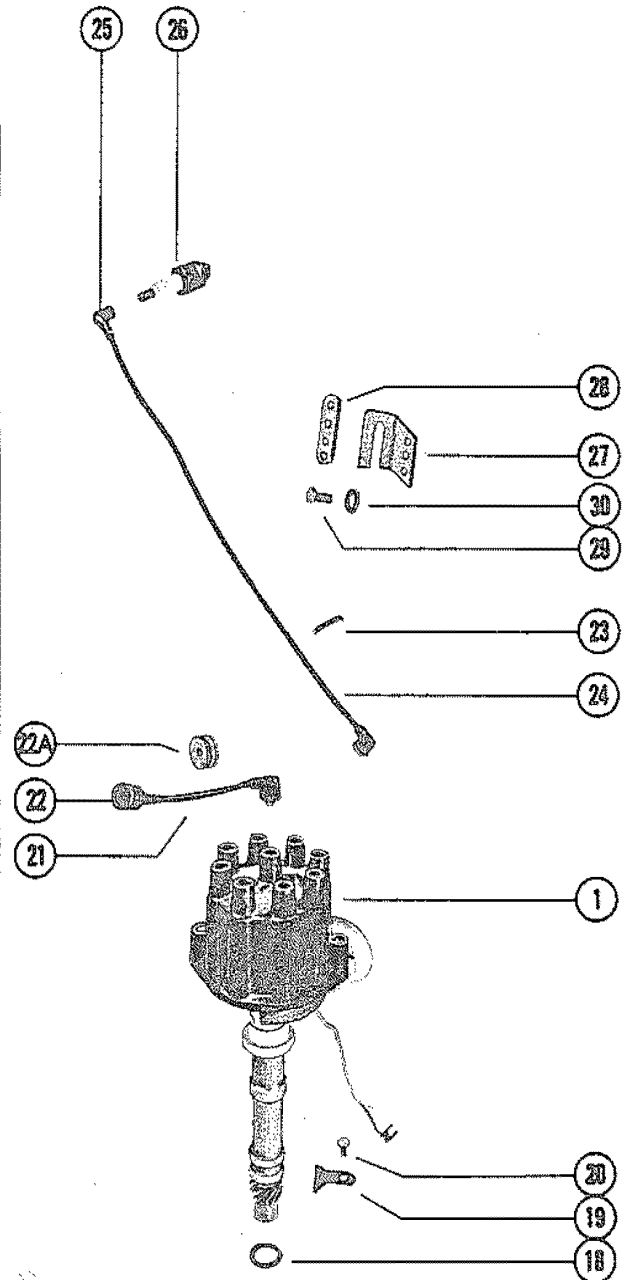
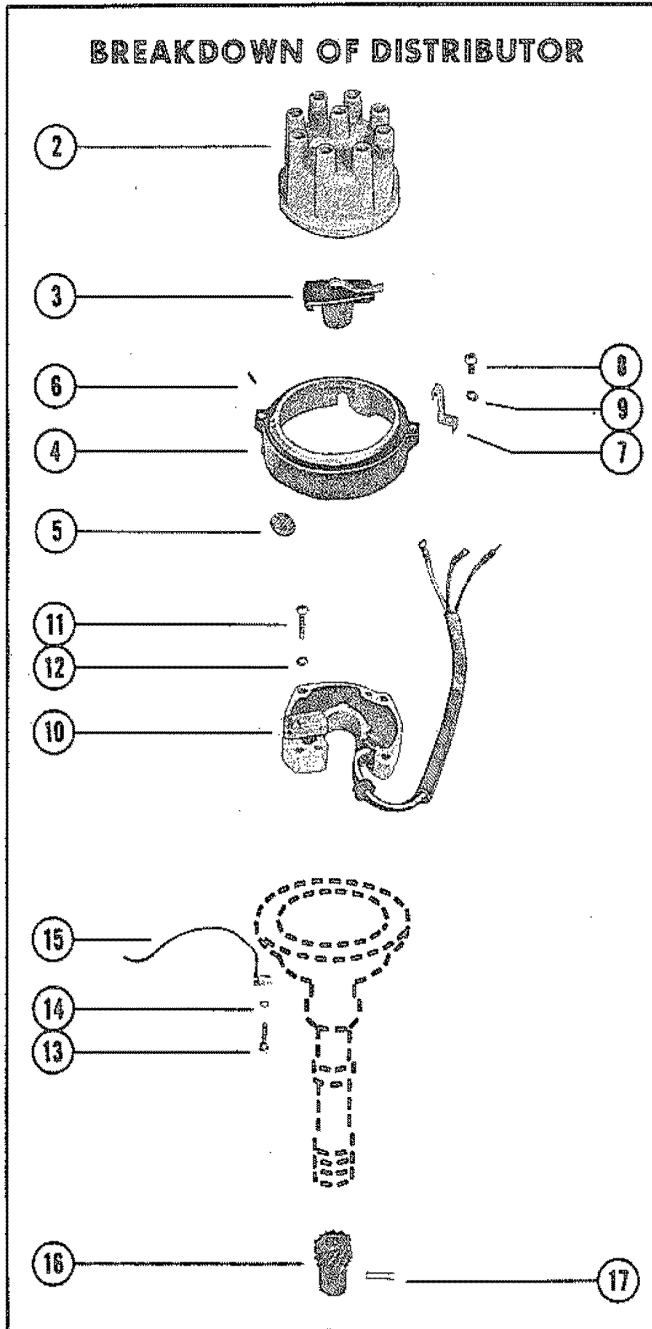
DISTRIBUTOR ASSEMBLY (STANDARD IGNITION)



DISTRIBUTOR ASSEMBLY (STANDARD IGNITION)

REF. NO.	PART NO.	SYM.	QTY.	DESCRIPTION
1	91823A3		1	DISTRIBUTOR ASSEMBLY, COMPLETE
2	391-5075		1	CAP, DISTRIBUTOR
3	391-5076		1	GASKET, DISTRIBUTOR CAP
4	391-7057		1	ROTOR
5	391-5092		1	CONDENSER
6	391-5093		1	BRACKET, CONDENSER ATTACHING
7	391-5091		1	SCREW, BREAKER ATTACHING
8	391-5090		1	BREAKER ASSEMBLY
9	391-5089		1	SCREW, BREAKER ATTACHING
10	84-65773A6		1	LEAD ASSEMBLY, PRIMARY TERMINAL
11	391-5085		2	CLAMP, DISTRIBUTOR CAP ATTACHING
12	391-5084		2	PIN, CLAMP TO DISTRIBUTOR
13	391-5087		2	SCREW, DISTRIBUTOR CAP ATTACHING
14	391-5086		2	WASHER, DISTRIBUTOR CAP SCREW
15	391-5083		2	VENT, SCREEN
16	391-5080		1	OILER
17	391-6390		1	GEAR, DRIVE
18	391-6391		1	PIN, DRIVE GEAR
19	27-52184		1	GASKET, DISTRIBUTOR
20	52185		1	CLAMP, DISTRIBUTOR TO INTAKE MANIFOLD
21	10-54528		1	SCREW, DISTRIBUTOR CLAMP ATTACHING (7/8")
22	84-92151A32		1	LEAD ASSEMBLY, DISTRIBUTOR TO COIL (5")
23	32193		1	COIL, IGNITION
24	77294		1	BRACKET, IGNITION COIL MOUNTING
25	10-66652		1	SCREW, BRACKET TO IGNITION COIL (1 1/2")
26	12-30164		2	WASHER, IGNITION COIL TERMINAL
27	13-26996		2	LOCKWASHER, IGNITION COIL TERMINAL
28	11-68219		2	NUT, IGNITION COIL TERMINAL
29	10-25299		2	SCREW, IGNITION COIL ATTACHING (3/4")
30	12-20084		2	WASHER, IGNITION COIL ATTACHING SCREW
31	13-26993		2	LOCKWASHER, IGNITION COIL ATTACHING SCREW
32	84-92151A36		8	LEAD ASSEMBLY, HIGH TENSION
33	33-59571		8	SPARK PLUG (AC#MR43T)
34	54676		2	RETAINER, HIGH TENSION LEADS (2 WIRE)
	32783		2	RETAINER, HIGH TENSION LEADS (3 WIRE)
	32784		2	RETAINER, HIGH TENSION LEADS (4 WIRE)
35	63192		4	RETAINER, HIGH TENSION LEADS
36	10-37612		2	SCREW, RETAINER ATTACHING (1 1/4")
37	12-25909		2	WASHER, RETAINER SCREW

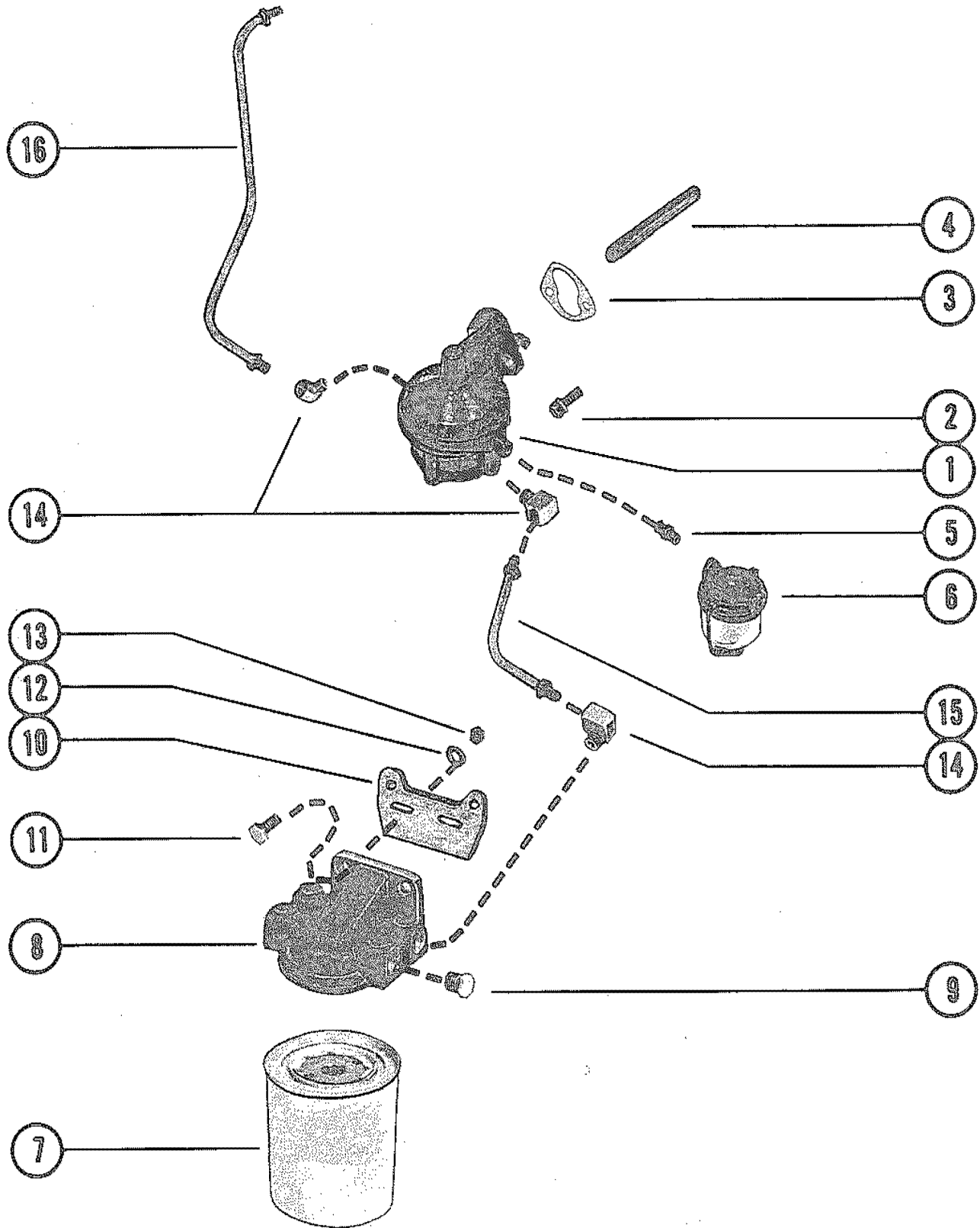
DISTRIBUTOR ASSEMBLY (THUNDERBOLT IGNITION)



DISTRIBUTOR ASSEMBLY (THUNDERBOLT IGNITION)

REF. NO.	PART NO.	SYM.	QTY.	DESCRIPTION
1	47493A12		1	DISTRIBUTOR ASSEMBLY
2	393-4988		1	CAP, DISTRIBUTOR
3	65864		1	ROTOR, DISTRIBUTOR
4	59754A1		1	HOUSING ASSEMBLY, ADAPTOR
5	35-60047A1		2	FLAME ARRESTOR ASSEMBLY
6	17-20032		2	PIN, DOWEL - ADAPTOR HOUSING
7	54-65783A2		2	CLAMP ASSEMBLY, CAP TO ADAPTOR HOUSING
8	10-21335		2	SCREW, CLAMP TO ADAPTOR HOUSING (7/8")
9	13-26996		2	LOCKWASHER, DISTRIBUTOR CLAMP FASTENING SCREW
10	393-2918A8		1	TRIGGER ASSEMBLY
11	10-47618		4	SCREW, TRIGGER ATTACHING (1")
12	13-26996		4	LOCKWASHER, TRIGGER ATTACHING SCREW
13	10-26595		4	SCREW, ADAPTOR HOUSING FASTENING (3/4")
14	13-26995		4	LOCKWASHER, ADAPTOR HOUSING SCREW
15	52618		1	WIRE, GROUND
16	43-47619		1	GEAR, DISTRIBUTOR
17	17-47617		1	ROLL PIN, GEAR TO DISTRIBUTOR
18	27-52184		1	GASKET, DISTRIBUTOR
19	52185		1	CLAMP, DISTRIBUTOR TO INTAKE MANIFOLD
20	10-54528		1	SCREW, DISTRIBUTOR CLAMP ATTACHING (1")
21	47862A2		1	LEAD ASSEMBLY, DISTRIBUTOR TO COIL (13 1/2")
22	332-2854		1	BOOT, COIL TOWER
22A	25-47623		1	GROMMET, COIL LEAD WIRE
23	32782		2	RETAINER, HIGH TENSION LEADS (2 WIRE)
	32783		2	RETAINER, HIGH TENSION LEADS (3 WIRE)
	32784		2	RETAINER, HIGH TENSION LEADS (4 WIRE)
24	84-92151A36		8	LEAD ASSEMBLY, HIGH TENSION
25	85-71006A1		8	PROTECTOR, SPARK PLUG
26	33-59660		8	SPARK PLUG (AC-MR 41T)
27	47763		2	BRACKET, RETAINER - HIGH TENSION LEADS
28	25-38930		2	GROMMET, RETAINER BRACKET
29	10-27165		1	SCREW, RETAINER BRACKET TO CYLINDER HEAD (3/4") - STARBOARD
30	13-35048		1	LOCKWASHER, RETAINER BRACKET SCREW (STARBOARD)
29	10-48948		1	SCREW, RETAINER BRACKET TO CYLINDER HEAD (7/16") - PORT
30	13-32993		1	LOCKWASHER, RETAINER BRACKET SCREW (PORT)

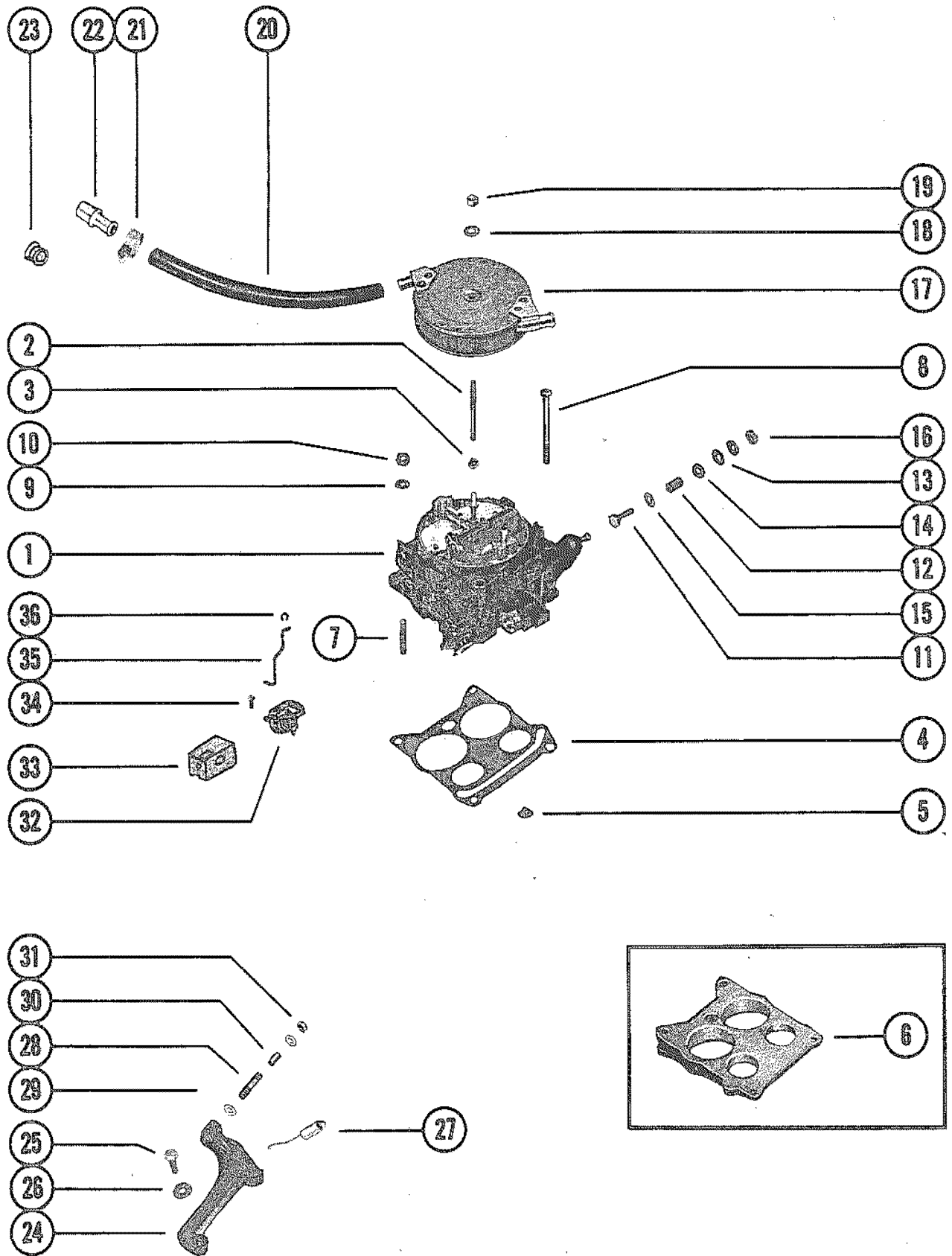
FUEL PUMP AND FUEL FILTER



FUEL PUMP AND FUEL FILTER

REF. NO.	PART NO.	SYM.	QTY.	DESCRIPTION
1	86247		1	FUEL PUMP ASSEMBLY
2	10-35169		2	SCREW, FUEL PUMP TO CYLINDER BLOCK (1 1/8")
3	27-34213		1	GASKET, FUEL PUMP TO CYLINDER BLOCK
4	35377		1	ROD, PUSH - FUEL PUMP
5	22-32876		1	NIPPLE, SIGHT GLASS TO FUEL PUMP
6	47816		1	SIGHT GLASS
7	35-60494A5		1	FUEL FILTER
8	89876		1	BASE, FUEL FILTER
9	22-73379		2	PLUG, PIPE - FUEL FILTER
10	54646		1	BRACKET, MOUNTING - FUEL FILTER METAL
11	10-20639		2	SCREW, FUEL FILTER TO MOUNTING BRACKET (1/2") METAL
10	77453		1	BRACKET, MOUNTING - FUEL FILTER PLASTIC
11	10-26066		2	SCREW, FUEL FILTER TO MOUNTING BRACKET (1 1/4") PLASTIC
12	12-20084		2	WASHER, FUEL FILTER SCREW
13	11-35814		2	NUT, FUEL FILTER SCREW
14	22-33821		3	ELBOW, FUEL LINE TO FUEL PUMP AND FUEL FILTER
15	32-62872		1	FUEL LINE, FUEL FILTER TO FUEL PUMP (STEEL TUBING)
16	32-62873		1	FUEL LINE< FUEL PUMP TO CARBURETOR (STEEL TUBING)

CARBURETOR AND AUTOMATIC CHOKE

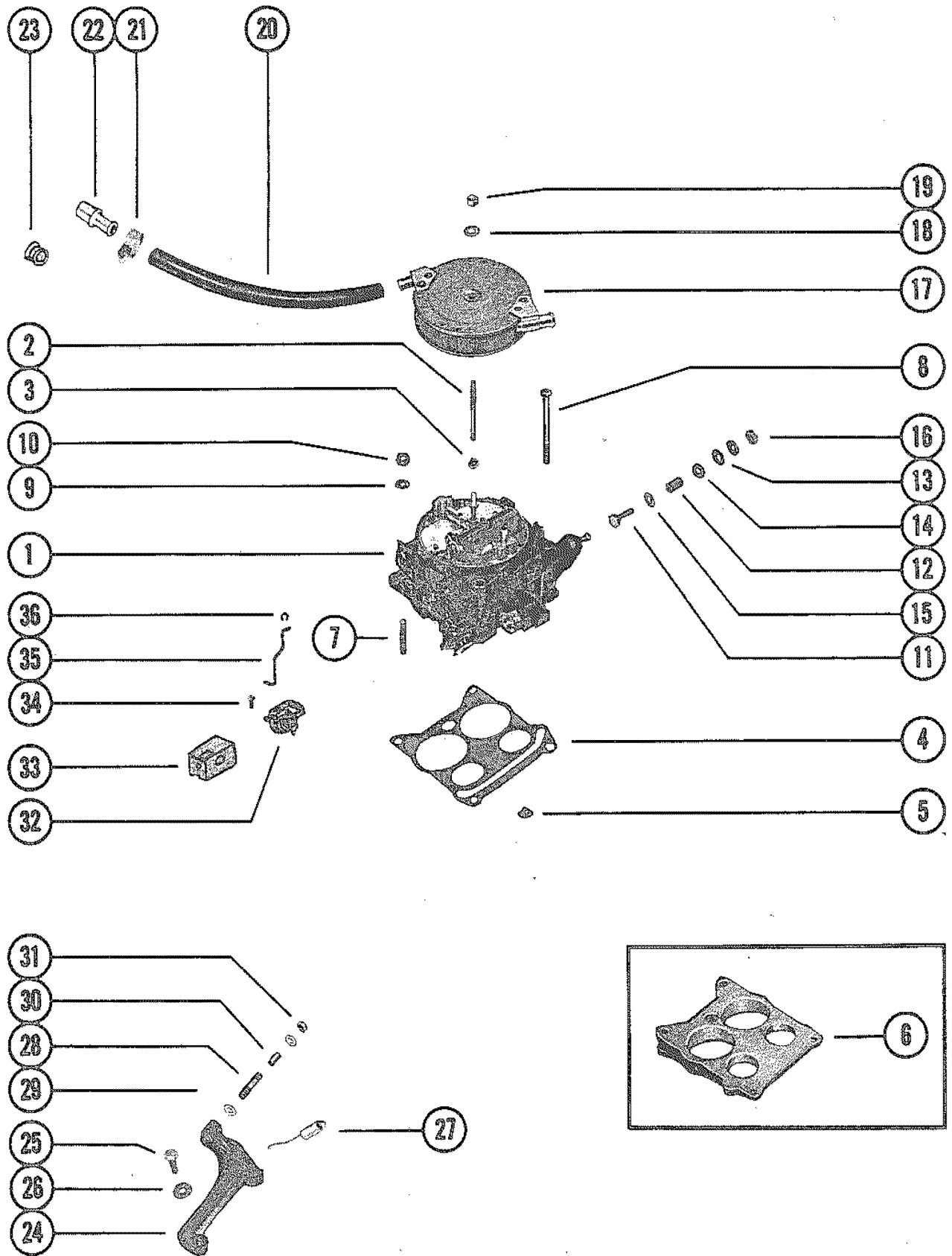


CARBURETOR AND AUTOMATIC CHOKE

REF. NO.	PART NO.	SYM.	QTY.	DESCRIPTION
1	1347-7363A1		1	CARBURETOR ASSEMBLY (STERN DRIVE)
	1347-7366A1		1	CARBURETOR ASSEMBLY (INBOARD)
2	16-33213		1	STUD, FLAME ARRESTOR MOUNTING - CARBURETOR
3	11-28941		1	NUT, JAM - FLAME ARRESTOR MOUNTING STUD (BOTTOM)
4	27-52457		1	GASKET, CARBURETOR (FOR INBOARD ENGINE - QUANTITY OF 2)
5	22-48358		1	PLUG, INTAKE MANIFOLD VACUUM HOLE
6	53513		1	WEDGE, CARBURETOR MOUNTING (INBOARD)
7	16-46857		2	STUD, CARBURETOR MOUNTING (STERN DRIVE)
	16-63332		2	STUD, CARB. MTG. (1 1/4") INBOARD
	16-53722		2	STUD, CARB. MTG. (4 3/8") INBOARD
	16-54345		2	STUD, CARB. MTG. (1 5/16") INBOARD SERIAL 00000000-04890179
	16-53724		2	STUD, CARB. MTG. (1 3/4") INBOARD SERIAL 04890180-09999999
8	10-28701		2	SCREW, CARBURETOR MOUNTING (STERN DRIVE)
9	12-20084		4	WASHER, CARB. (4 USED ON STERN DRIVE; 6 USED ON INBOARD)
10	11-46793		2	NUT, CARB. (2 USED ON STERN DRIVE; 6 USED ON INBOARD)
11	10-22958		1	SCREW, THROTTLE CABLE TO CARBURETOR (1 1/8")
12	23-57938		1	BUSHING, THROTTLE CABLE SCREW
13	23-34948		1	BUSHING, THROTTLE CABLE SCREW
14	12-56681		1	WASHER, THROTTLE CABLE SCREW
15	12-20128		1	WASHER, THROTTLE CABLE SCREW
16	11-20190		1	NUT, THROTTLE CABLE SCREW
17	85785		1	FLAME ARRESTOR, CARUBRETOR
18	12-22937		1	WASGER, FLAME ARRESTOR STUD-METAL
	12-86400		1	WASHER, FLAME ARRESTOR STUD-RUBBERIZED
19	11-20586		1	NUT, FLAME ARRESTOR STUD
20	32-93315-12		1	HOSE, VENT - CARBURETOR (9 3/4") -INBOARD
	32-93315-12		2	HOSE< VENT - CARBURETOR (8 1/4") -2 USED ON STERN DRIVE; 1 USED ON INBOARD
21	54-53101		4	CLAMP, VENT HOSE ATTACHING
22	47957		2	CONNECTOR, VENT HOSE TO ROCKER COVER
23	25-59987		2	GROMMET, ROCKER COVER TO VENT HOSE CONNECTOR
24	91021A1		1	BRACKET, MOUNTING - THROTTLE CABLE (STERN DRIVE)
	57096		1	BRACKET, THROTTLE CABLE INBOARD SERIAL 00000000-04890179
25	10-35386		2	SCREW, BRACKET TO MANIFOLD SERIAL 00000000-04890179
24	49929		1	BRACKET, THROTTLE CABLE (INBOARD) SERIAL 04890180-09999999
26	12-21631		2	WASHER, THROTTLE CABLE BRACKET SCREW AND STUD
27	24-32817		1	SPRING, THROTTLE RETURN

CONTINUED ON NEXT PAGE ➡

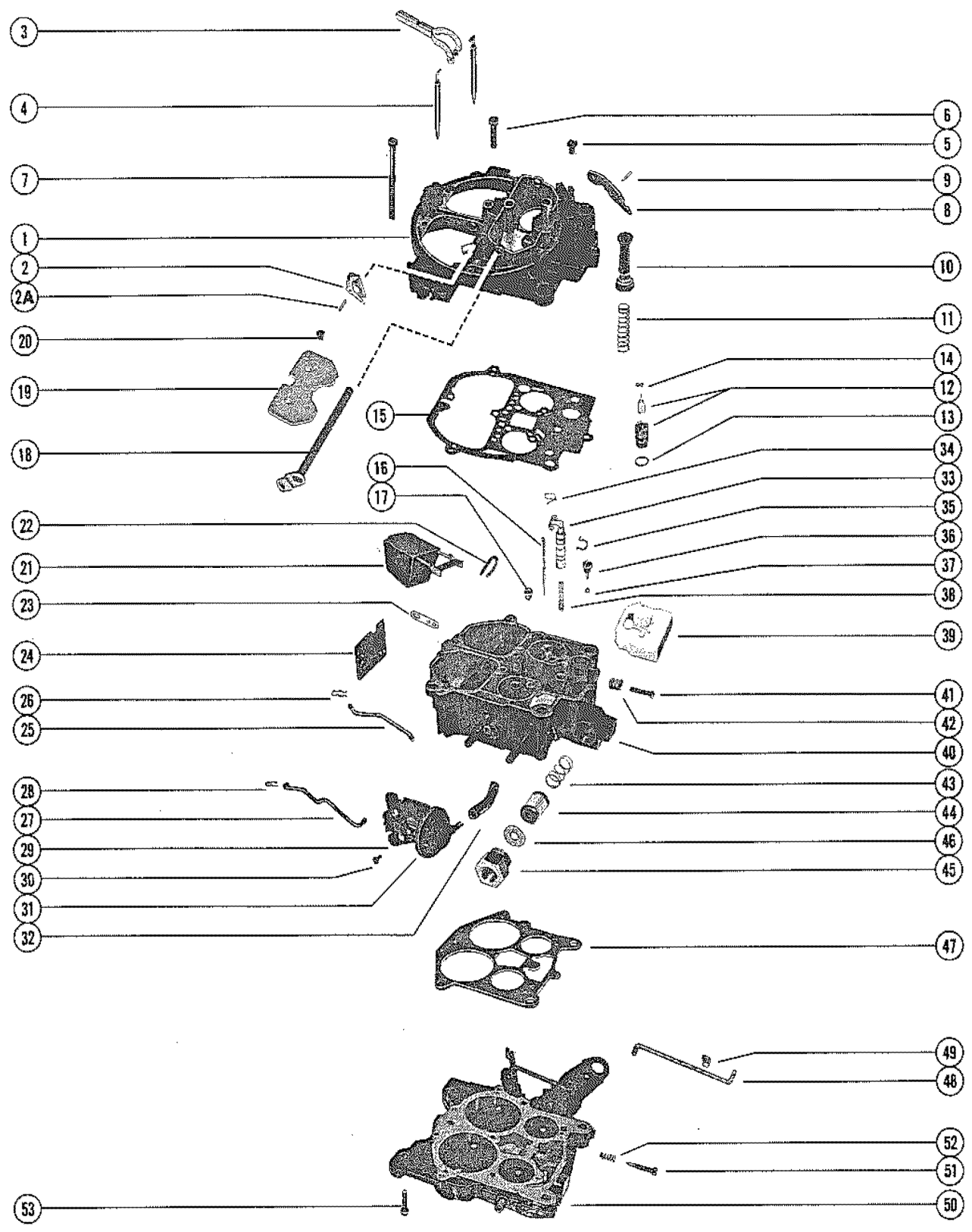
CARBURETOR AND AUTOMATIC CHOKE



CARBURETOR AND AUTOMATIC CHOKE

REF. NO.	PART NO.	SYM.	QTY.	DESCRIPTION
28	16-35897		1	STUD, THROTTLE CABLE TO MOUNTING BRACKET (1 11/16")
29	12-21631		2	WASHER, THROTTLE CABLE STUD
30	23-31866		1	SPACER, THROTTLE CABLE STUD
31	11-20586		1	NUT, THROTTLE CABLE STUD
32	66205		1	CHOKE, AUTOMATIC - CARBURETOR
33	66198		1	COVER, AUTOMATIC CHOKE
34	10-59994		1	SCREW, AUTOMATIC CHOKE THERMOSTAT (5/8")
35	77931		1	ROD, AUTOMATIC CHOKE (STERN DRIVE)
	66197		1	ROD, AUTOMATIC CHOKE (INBOARD)
36	54-59989		1	CLIP, AUTOMATIC CHOKE ROD

CARBURETOR ASSEMBLY, COMPLETE

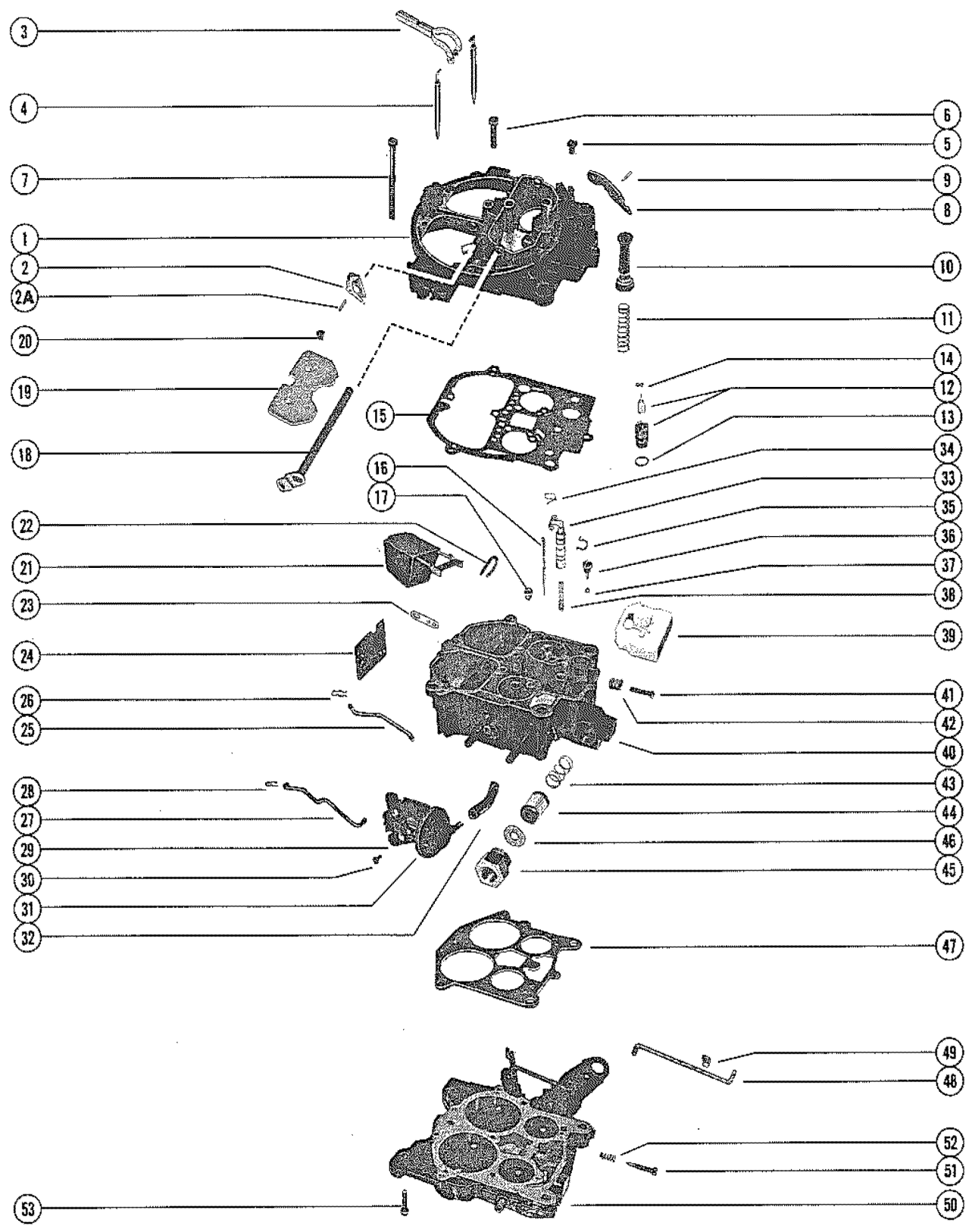


CARBURETOR ASSEMBLY, COMPLETE

REF. NO.	PART NO.	SYM.	QTY.	DESCRIPTION
-	1347-7363A1		1	CARBURETOR ASSEMBLY, COMPLETE (STERN DRIVE) SERIAL 05027231-09999999
-	1347-7366A1		1	CARBURETOR ASSEMBLY, COMPLETE (INBOARD) SERIAL 05226385-09999999
1	N.S.S.		1	AIR HORN ASSEMBLY
2	N.S.S.		1	LEVER, AIR VALVE LOCKOUT (ROCHESTER#7037968)
3	N.S.S.		1	HOLDER KIT, SECONDARY METERING ROD(ROCHESTER#7034522)
4	N.S.S.		2	METERING ROD, SECONDARY(STERN DRIVE)- ROCHESTER#17053531
	N.S.S.		2	METERING ROD, SECONDARY(INBOARD)- ROCHESTER#7045782
5	N.S.S.		2	SCREW, AIR HORN TO FLOAT BOWL (3/8")- ROCHESTER#7031105
6	N.S.S.		5	SCREW, AIR HORN TO FLOAT BOWL (1")- ROCHESTER#7014699
7	N.S.S.		2	SCREW, AIR HORN TO FLOAT BOWL (3")- ROCHESTER#7029912
8	N.S.S.		1	LEVER, ACTUATING - PUMP(ROCHESTER#7048169)
9			1	ROLL PIN, HINGE - PUMP LEVER
10			1	PUMP ASSEMBLY
11			1	SPRING, PUMP RETURN
12			1	NEEDLE AND SEAT ASSEMBLY
13			1	GASKET, NEEDLE AND SEAT
14			1	PULL CLIP, FLOAT NEEDLE
15			1	GASKET, AIR HORN
16			2	METERING ROD, PRIMARY
17			2	JET, PRIMARY
18	N.S.S.		1	CHOKE SHAFT AND LEVER ASSEMBLY(ROCHESTER#7036059)
19	N.S.S.		1	VALVE, CHOKE - CHOKE SHAFT(ROCHESTER#7036021)
20	N.S.S.		2	SCREW, CHOKE VALVE TO CHOKE SHAFT(ROCHESTER#7029866)
21	1397-3327		1	FLOAT ASSEMBLY
22	N.S.S.		1	PIN, HINGE - FLOAT(ROCHESTER#7029856)
23	N.S.S.		1	LEVER, INTERMEDIATE CHOKE(ROCHESTER#7031231)
24	N.S.S.		1	BAFFLE, FLOAT BOWL(ROCHESTER#7031365)
25	N.S.S.		1	ROD, CHOKE(ROCHESTER#7031394)
26			1	CLIP, CHOKE ROD
27	N.S.S.		1	ROD, VACUUM CONTROL(ROCHESTER#7038167)
28			1	CLIP, CHOKE ROD
29	N.S.S.		1	BRACKET ASSEMBLY, VACUUM CONTROL(ROCHESTER#17060265)
30	N.S.S.		1	SCREW, VACUUM CONTROL BRACKET TO FLOAT BOWL(ROCHESTER#70319
31	N.S.S.		1	CONTROL ASSEMBLY, VACUUM(ROCHESTER#7038237)

CONTINUED ON NEXT PAGE ➡

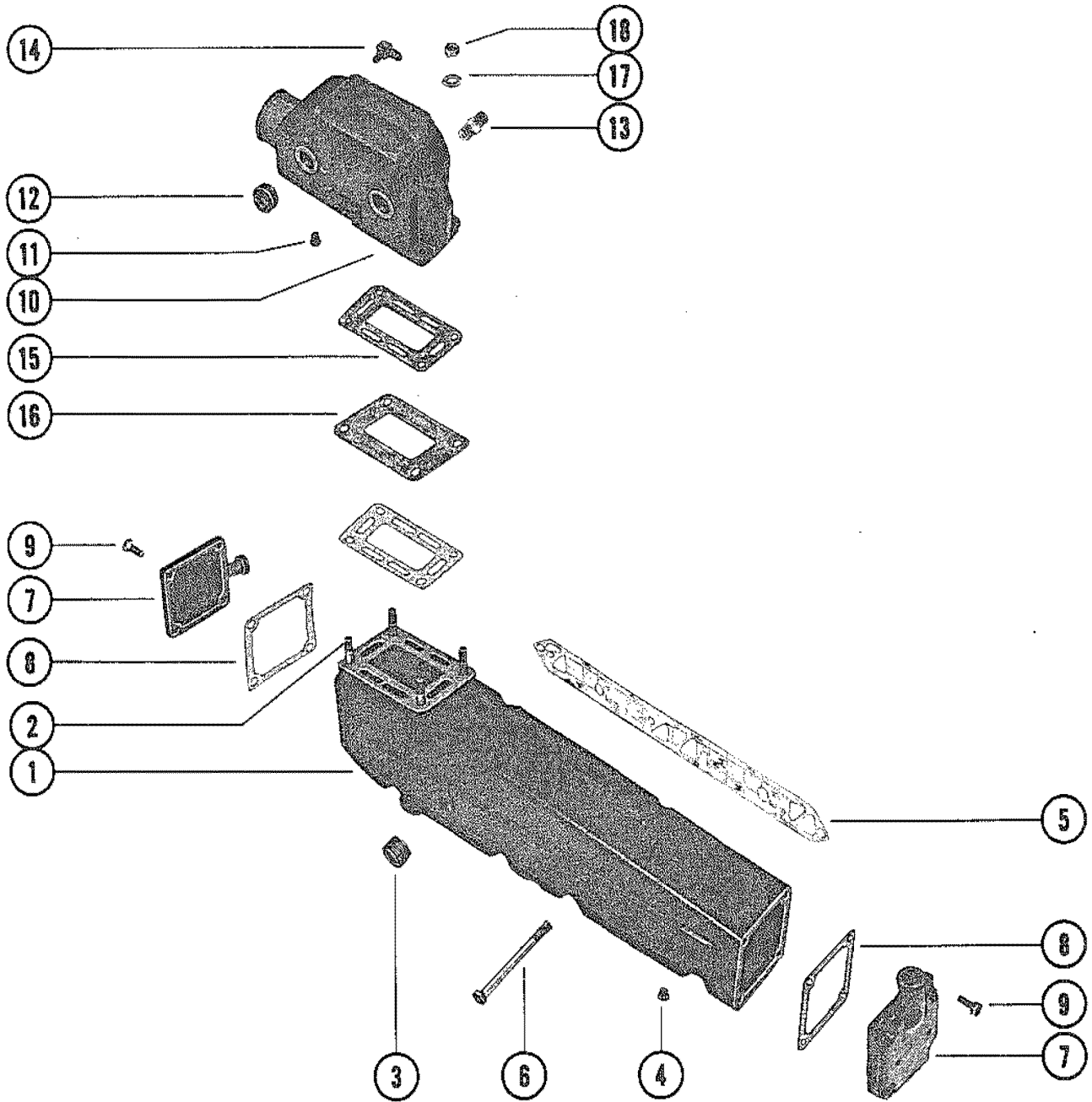
CARBURETOR ASSEMBLY, COMPLETE



CARBURETOR ASSEMBLY, COMPLETE

REF. NO.	PART NO.	SYM.	QTY.	DESCRIPTION
32	N.S.S.		1	HOSE, VACUUM(ROCHESTER#7026339)
33	N.S.S.		1	POWER PISTON ASSEMBLY(ROCHESTER#7034637)
34	N.S.S.		1	SPRING, METERING ROD - PRIMARY(ROCHESTER#7029862)
35	N.S.S.		1	RETAINER, POWER PISTON
36	N.S.S.		1	RETAINER, PUMP DISCHARGE BALL(ROCHESTER#7029849)
37			1	BALL, PUMP DISCHARGE
38	N.S.S.		1	SPRING, POWER PISTON(ROCHESTER#7029529)
39	N.S.S.		1	>INSERT, FLOAT BOWL(ROCHESTER#7034361)
40	N.S.S.		1	FLOAT BOWL ASSEMBLY
41	N.S.S.		1	SCREW, IDLE STOP(ROCHESTER#7002121)
42	N.S.S.		1	SPRING, IDLE STOP SCREW(ROCHESTER#7003176)
43	24-48143		1	SPRING, FILTER NUT
44	35-53336		1	FILTER, FUEL INLET
45	1397-3330		1	NUT, FILTER - FUEL INLET
46			1	GASKET, FILTER NUT
47			1	GASKET, THROTTLE BODY
48	N.S.S.		1	ROD, PUMP(ROCHESTER#7026138)
49			1	CLIP, PUMP ROD
50	N.S.S.		1	THROTTLE BODY ASSEMBLY
51			2	IDLE NEEDLE, THROTTLE BODY
52	24-33050		2	SPRING, IDLE NEEDLE SERIAL 00000000-05027230
	24-87734		2	SPRING, IDLE NEEDLE SERIAL 05027231-09999999
53	N.S.S.		3	SCREW, THROTTLE BODY TO FLOAT BOWL(ROCHESTER#7035790)
-	1397-3315		1	SPRING AND CAM KIT, AIR VALVE
-	1397-5635		1	OVERHAUL KIT SERIAL 00000000-05027230
-	1397-7544		1	OVERHAUL KIT SERIAL 05027231-09999999
-	1397-3309		1	GASKET SET
-	1397-3465		1	OFF ENGINE KIT

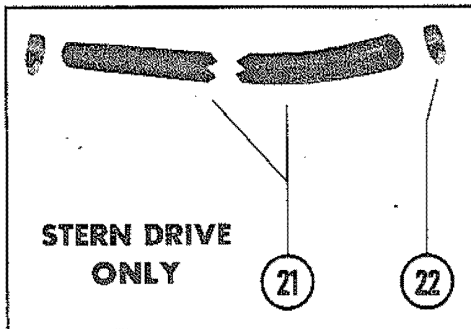
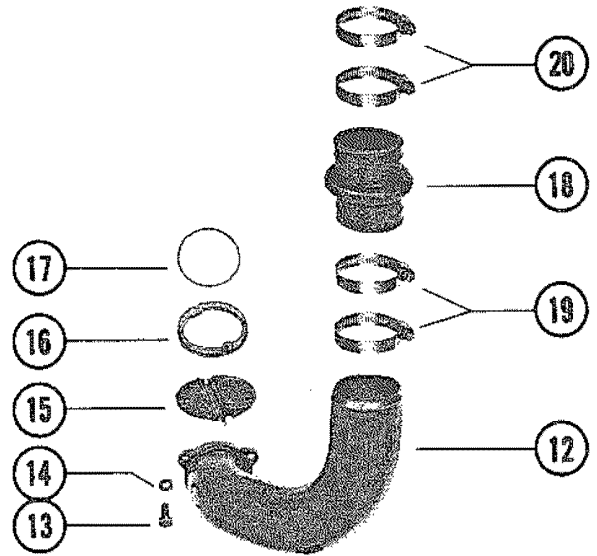
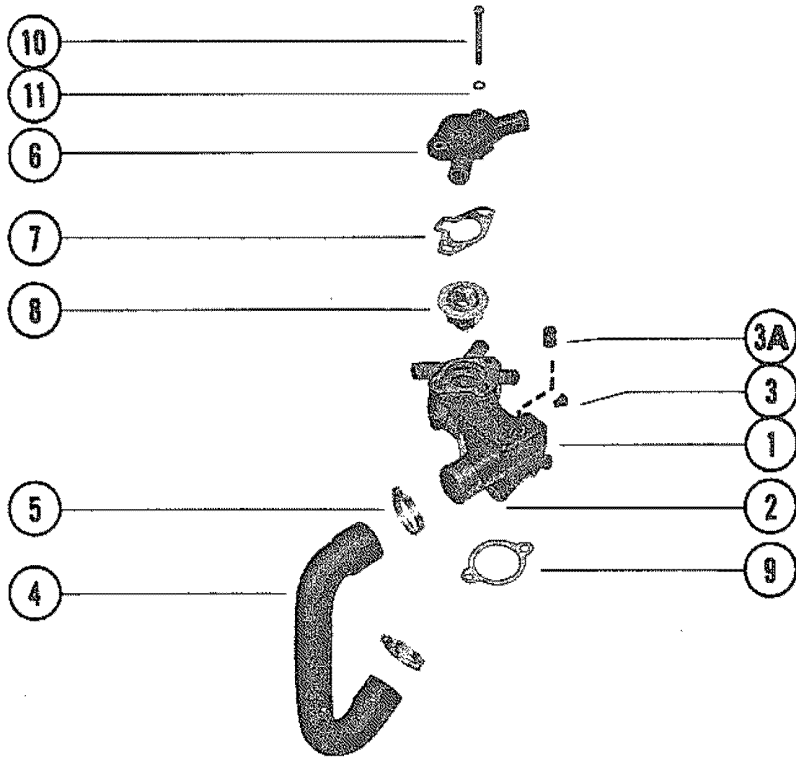
EXHAUST MANIFOLD AND EXHAUST ELBOW



EXHAUST MANIFOLD AND EXHAUST ELBOW

REF. NO.	PART NO.	SYM.	QTY.	DESCRIPTION
1	47735A1		1	EXHAUSE MANIFOLD ASSEMBLY (PORT)
	47736A1		1	EXHAUST MANIFOLD ASSEMBLY (STBD.)
2	16-49545		8	STUD, EXHAUST MANIFOLD TO ELBOW (1 3/4")
3	22-48118		6	PLUG, EXHAUST MANIFOLD
4	22-32802		2	PLUG, PIPE - EXHAUST MANIFOLD
5	27-46820		2	GASKET, EXHAUST MANIFOLD TO CYLINDER HEAD
6	10-37612		8	SCREW, EXHAUST MANIFOLD TO CYLINDER HEAD (1 1/4")
	10-26486		8	SCREW, EXHAUST MANIFOLD TO CYLINDER HEAD (2 3/8")
7	60252		4	END CAP/CONNECTOR, EXHAUST MANIFOLD (FRONT)
8	27-48043		4	GASKET, END CAP/CONNECTOR TO EXHAUST MANIFOLD
9	10-35386		14	SCREW, END CAP TO EXH. MAN. (1")
	10-53016		2	SCREW, END CAP?CONNECTOR (1 1/4")-METAL BRACKET
	10-73657		2	SCREW, END CAP/CONNECTOR (1 1/2")-PLASTIC BRACKET
10	76668A3		2	EXHAUST ELBOW ASSEMBLY (STERN DRIVE)
	72963A1		2	EXHAUST ELBOW ASSEMBLY INBOARD
-	32-58616A1		2	TUBE ASSEMBLY, WATER SEPARATION INBOARD
-	10-47828		6	SCREW, WATER SEPARATION TUBE INBOARD
11	22-32802		2	PLUG, EXHAUST ELBOW
12	22-33198A1		8	PLUG, EXHAUST ELBOW
13	22-45084		2	FITTING, EXHAUST ELBOW
14	22-62910		1	ELBOW, HOSE (STARBOARD EXHAUST ELBOW) - STERN DRIVE
15	27-48042		4	GASKET, EXHAUST ELBOW TO EXHAUST MANIFOLD
16	73782		2	PLATE, EXHAUST ELBOW TO MANIFOLD (STERN DRIVE)
	74829		2	PLATE, EXHAUST ELBOW TO MANIFOLD(INBOARD)
17	13-35048		8	LOCKWASHER, EXHAUST ELBOW TO EXHAUST MANIFOLD STUD
18	11-49838		8	NUT, EXHAUST ELBOW TO EXHAUST MANIFOLD STUD

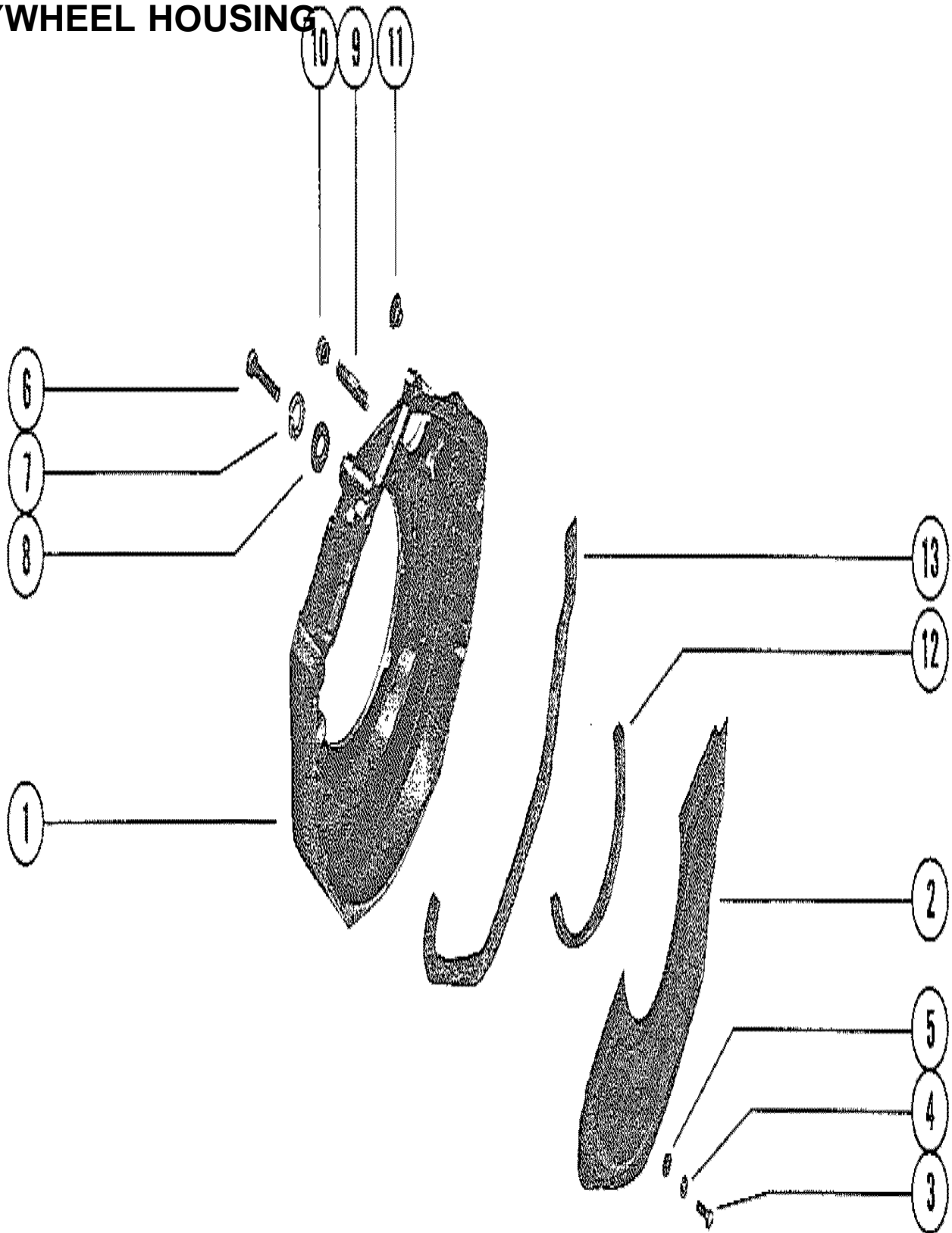
THERMOSTAT HOUSING



THERMOSTAT HOUSING

REF. NO.	PART NO.	SYM.	QTY.	DESCRIPTION
1	79468A1		1	THERMOSTAT HOUSING ASSEMBLY(STERN DRIVE)
	78985A1		1	THERMOSTAT HOUSING ASSEMBLY(INBOARD)
2	23-47511		1	SLEEVE, THERMOSTATE HOUSING
3	22-47540		2	PLUG, THERMOSTATE HOUSING
3A	22-33198A1		1	PLUG, THERMOSTAT HOUSING
4	32-89718		1	HOSE, HOUSING TO CIRCULATING PUMP POWER STEERING
5	54-87268		2	CLAMP, HOSE ATTACHING POWER STEERING
6	47442		1	COVER, THERMOSTAT HOUSING
7	27-48818		1	GASKET, THERMOSTAT HOUSING (UPPER)
8	59137		1	THERMOSTAT (143)
9	27-53045		1	GASKET, THERMOSTAT HOUSING TO MANIFOLD (LOWER)
10	10-33389		2	SCREW, THERMOSTAT HOUSING ATTACHING (4 1/4")
11	13-37459		2	LOCKWASHER, THERMOSTAT HOUSING SCREW
12	77118		1	ELBOW, EXHAUST (STARBOARD) STERN DRIVE
	77117		1	ELBOW, EXHAUST (PORT) STERN DRIVE
13	10-58640		6	SCREW, ELBOW TO TRANSOM PLATE (2 1/4") STERN DRIVE
14	13-35048		6	LOCKWASHER, EXHAUST ELBOW SCREW STERN DRIVE
15	60930		2	WATER SHUTTER, EXHAUST ELBOW STERN DRIVE
16	63151		2	RETAINER, SHUTTER TO EXHAUST ELBOW STERN DRIVE
17	25-35029		2	"O" RING, EXHAUST ELBOW TO TRANSOM PLATE STERN DRIVE
18	70981		2	BELLOWS, EXHAUST ELBOW STERN DRIVE
19	54-31765		4	CLAMP, BELLOWS TO EXHAUST ELBOW (LOWER) STERN DRIVE
20	54-33683		4	CLAMP, BELLOWS TO EXHAUST ELBOW (UPPER) STERN DRIVE
21	32-77482		1	HOSE, THERMOSTAT HOUSING POWER STEERING STERN DRIVE
	32-86364		1	HOSE, THERMOSTAT HOUSING NON POWER STEERING STERN DRIVE
22	54-32780		2	CLAMP, HOSE TO THERMOSTAT HOUSING AND COOLER STERN DRIVE

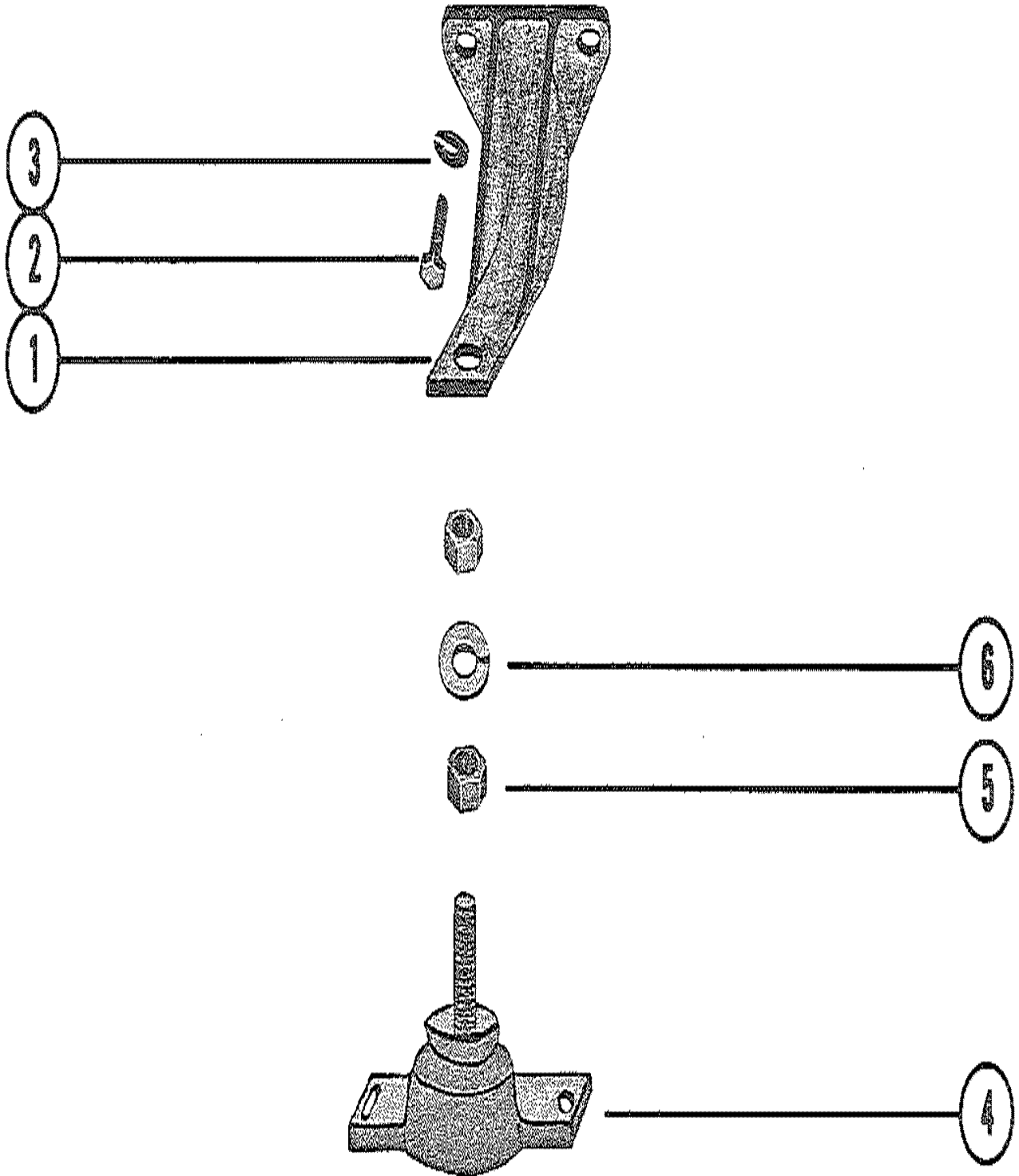
FLYWHEEL HOUSING



FLYWHEEL HOUSING

REF. NO.	PART NO.	SYM.	QTY.	DESCRIPTION
1	86019		1	HOUSING, FLYWHEEL
2	86014A1		1	COVER, FLYWHEEL HOUSING
3	10-20031		7	SCREW, COVER TO FLYWHEEL HOUSING (1/2")
	10-28635		1	SCREW, COVER TO FLYSHEEL HOUSING (5/8")
4	13-26992		8	LOCKWASHER, COVER SCREW
5	12-20346		1	WASHER, COVER SCREW
6	10-34353		3	SCREW, FLYWHEEL HOUSING TO ENGINE (1")
	10-48424		2	SCREW, FLYWHEEL HOUSING TO ENGINE (1 5/8")
	10-63826		2	SCREW, FLYWHEEL HOUSING TO ENGINE (2 1/2")
7	13-37459		6	LOCKWASHER, FLYWHEEL HOUSING TO ENGINE SCREW
8	12-20572		1	WASHER, FLYWHEEL HOUSING TO ENGINE SCRES
9	16-64066		1	STUD, FLYWHEEL HOUSING (2 1/4")
10	11-32219		1	NUT, FLYWHEEL HOUSING STUD
11	19-38606		1	PLUG, FLYWHEEL HOUSING - LUBRICATION ACCESS
12	87690		1	SEAL, FLYWHEEL HOUSING COVER
13	27-86015		1	GASKET, FLYWHEEL HOUSING COVER

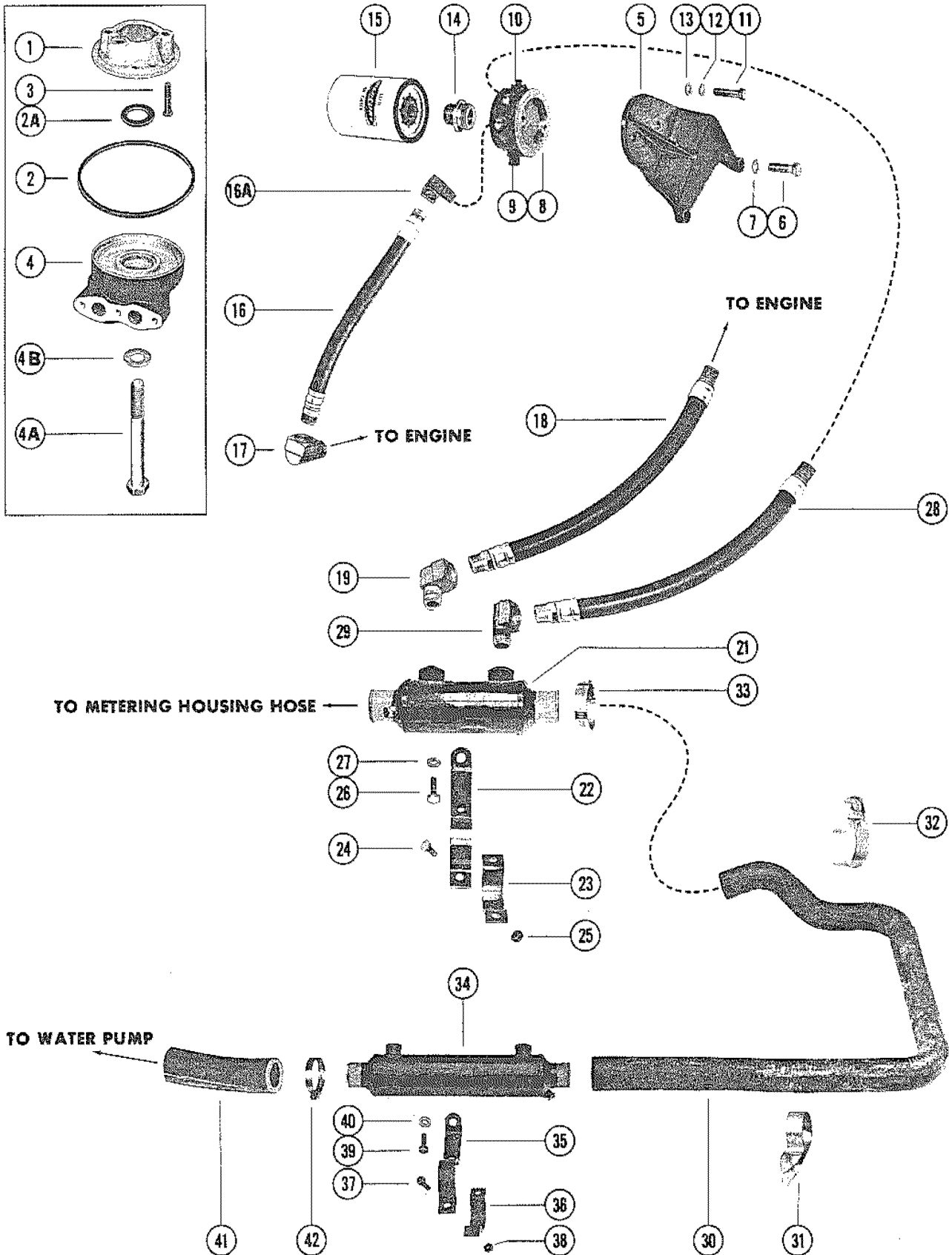
ENGINE MOUNTING



ENGINE MOUNTING

REF. NO.	PART NO.	SYM.	QTY.	DESCRIPTION
1	79550		2	BRACKET, MOUNTING - ENGINE
2	10-37612		3	SCREW, MOUNTING BRACKET TO ENGINE (1 1/4") PORT SIDE
3	13-35048		3	LOCKWASHER, MOUNTING BRACKET SCREW PORT SIDE
2	10-37612		1	SCREW, MOUNTING BRACKET TO ENGINE (1 1/4") STARBOARD SIDE
3	13-35048		1	LOCKWASHER, MOUNTING BRACKET SCREW STARBOARD SIDE
2	10-48424		2	SCREW, MOUNTING BRACKET TO ENGINE (1 5/8") STARBOARD SIDE
3	13-35048		2	LOCKWASHER, MOUNTING BRACKET SCREW STARBOARD SIDE
4	66284		2	BRACKET, MOUNTING
5	11-20739		4	NUT, JAM - MOUNTING BRACKET
6	13-68102		2	LOCKWASHER, MOUNTING BRACKET

OIL COOLER, OIL FILTER AND HOSES

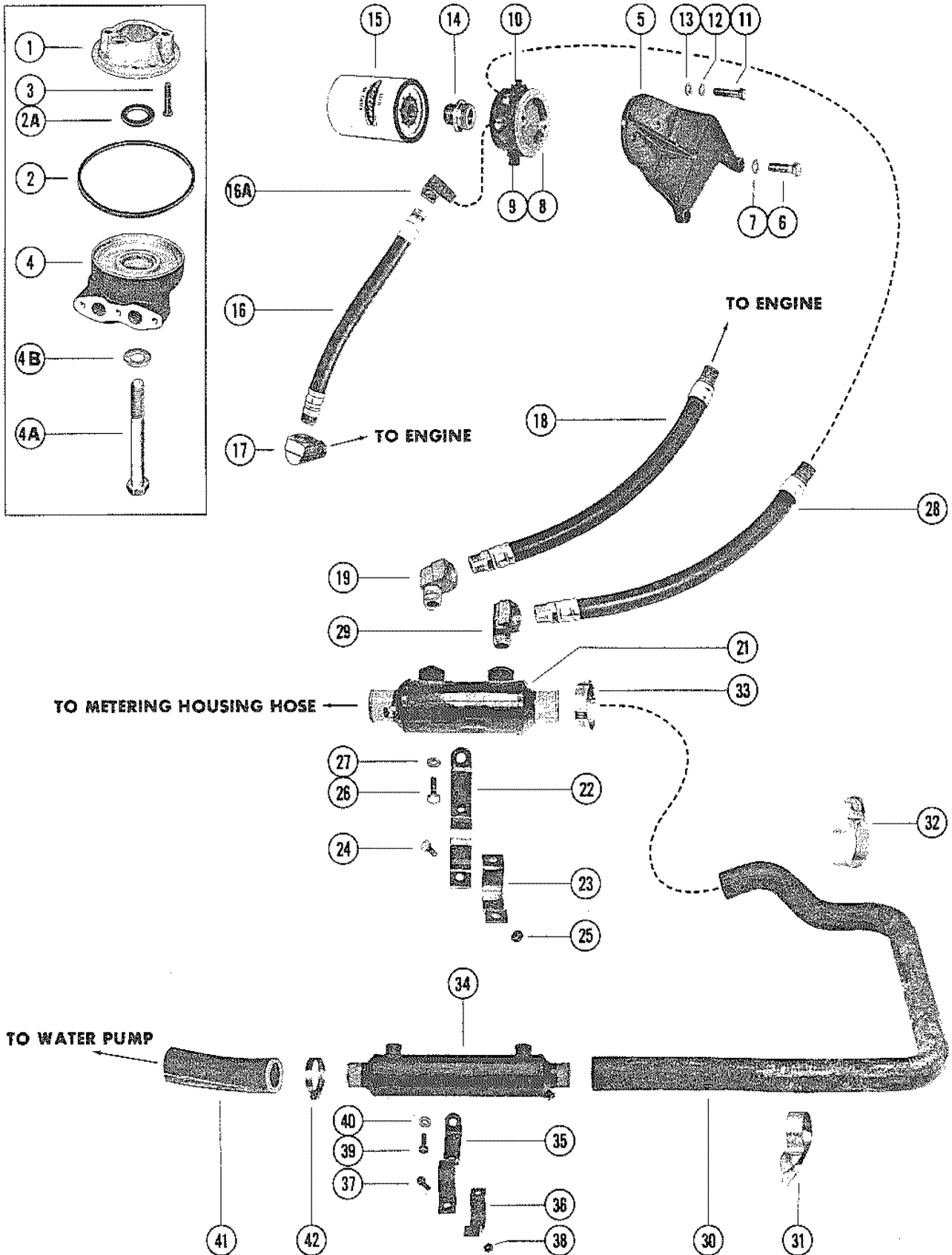


OIL COOLER, OIL FILTER AND HOSES

REF. NO.	PART NO.	SYM.	QTY.	DESCRIPTION
1	54785		1	ADAPTOR AND VALVE ASSEMBLY
2	25-33756		1	RING, SEALING - ADAPTOR AND VALVE ASSEMBLY
2A	26-73522		1	SEAL, ADAPTOR
3	10-54786		2	SCREW, ADAPTOR TO ENGINE
4	76792		1	ADAPTOR
4A	10-47409		1	SCREW, ADAPTOR ATTACHING
4B	12-47523		1	WASHER, ADAPTOR SCREW
5	73867		1	BRACKET, MOUNTING - OIL FILTER SERIAL 00000000-04890179
	78610A1		1	ADAPTOR ASSEMBLY, OIL FILTER SERIAL 04890180-09999999
6	10-48424		2	SCREW, MOUNTING ENGINE TO BRACKET (3/8 - 16 X 5/8")
7	13-35048		2	LOCKWASHER, MOUNTING ENGINE TO BRACKET SCREW
8	48504A2		1	ADAPTOR, OIL FILTER SERIAL 00000000-04890179
9	22-36373		1	PLUG, PIPE - OIL FILTER ADAPTOR (3/8-18)
10	22-32802		1	PLUG, PIPE - OIL FILTER ADAPTOR (1/8-27) SERIAL 00000000-04890179
11	10-20359		2	SCREW, OIL FILTER ADAPTOR ATTACHING (1") SERIAL 00000000-04890179
12	13-37459		2	LOCKWASHER, OIL FILTER ADAPTOR SCREW SERIAL 00000000-04890179
13	12-20086		2	WASHER, OIL FILTER ADAPTOR SCREW
14	32720		1	FITTING, OIL FILTER TO ADAPTOR
15	52731		1	OIL FILTER
16	32-48946		1	HOSE, OIL FILTER ADAPTOR TO ENGINE (15") SERIAL 00000000-04890179
16A	22-71923		1	ELBOW, HOSE TO ADAPTOR (45) SERIAL 00000000-04890179
16	32-48944--2		1	HOSE, ADAPTOR TO ENGINE (13 1/2") SERIAL 04890180-09999999
17	22-48246		1	ELBOW, HOSE TO ENGINE (90)
18	32-48944--7		1	HOSE, OIL COOLER TO ENGINE (11")
19	22-63825		1	ELBOW, HOSE TO OIL COOLER (90)
21	63831		1	OIL COOLER (5")
22	63820--1		1	BRACKET, OIL COOLER CLAMPING (LONG)
23	56328		1	BRACKET, OIL COOLER CLAMPING (SHORT)
24	10-69028		2	SCREW, CLAMPING BRACKET (3/4")
25	11-30506		2	NUT, CLAMPING BRACKET SCREW
26	10-47277		1	SCREW, OIL COOLER BRACKET TO ENGINE (3/4")
27	12-26825		1	WASHER, OIL COOLER BRACKET SCREW
28	32-48944--6		1	HOSE, ADAPTOR TO OIL COOLER (30") SERIAL 00000000-04890179
	32-48944-10		1	HOSE, ADAPTOR TO OIL COOLER (34") SERIAL 04890180-09999999
29	22-63825		1	ELBOW, HOSE TO OIL COOLER (90)
30	32-63829		1	HOSE, MOLDED - OIL COOLER TO OIL COOLER
31	54-64489		1	CLAMP, MOLDED HOSE TO FLYWHEEL HOUSING (PORT)

CONTINUED ON NEXT PAGE ➡

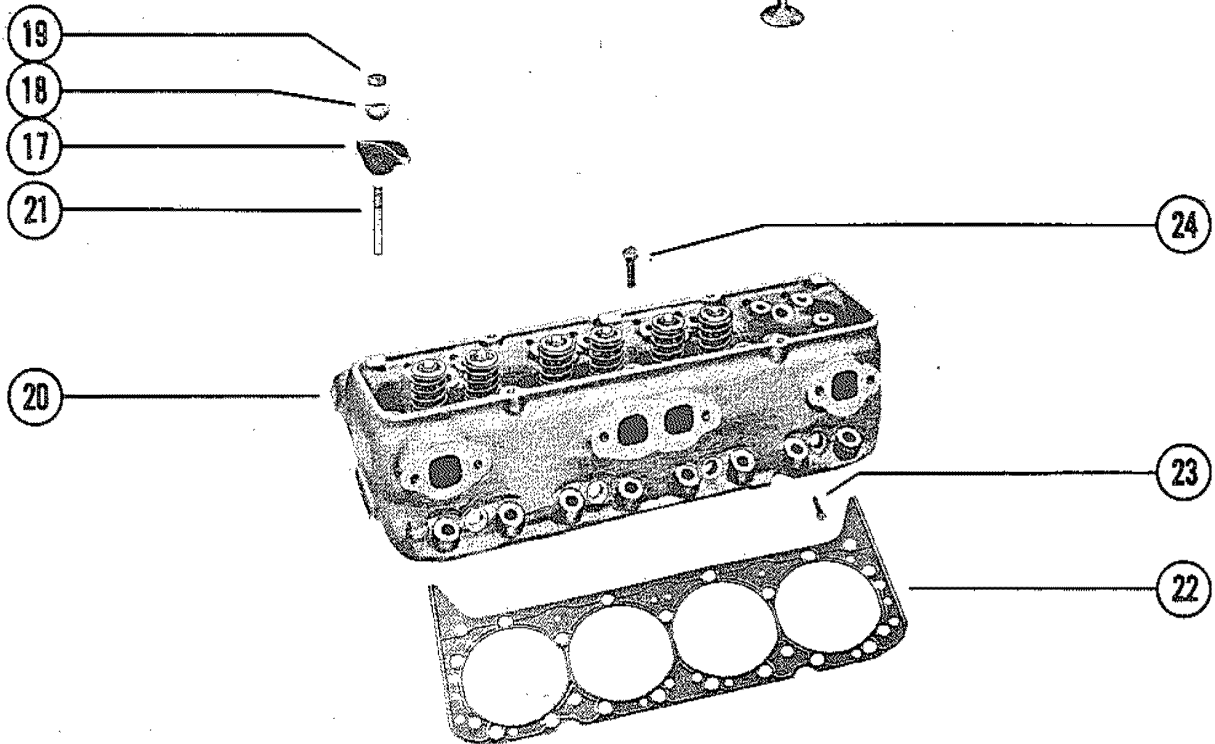
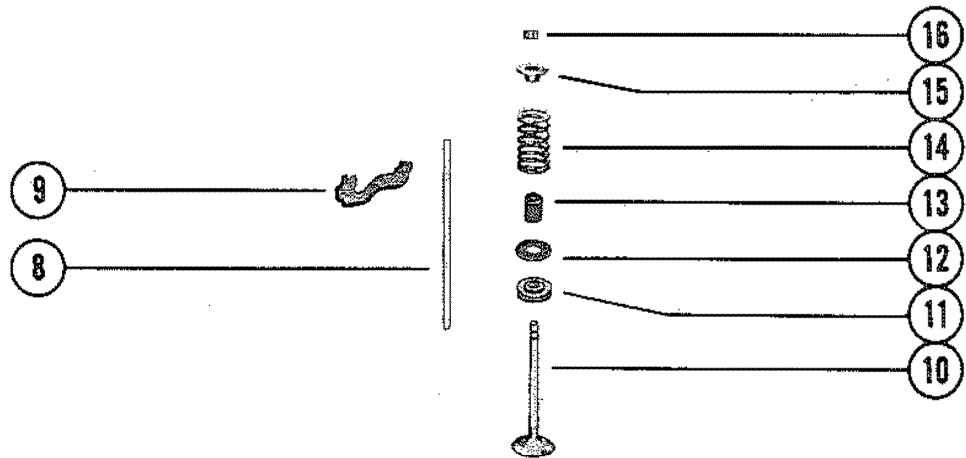
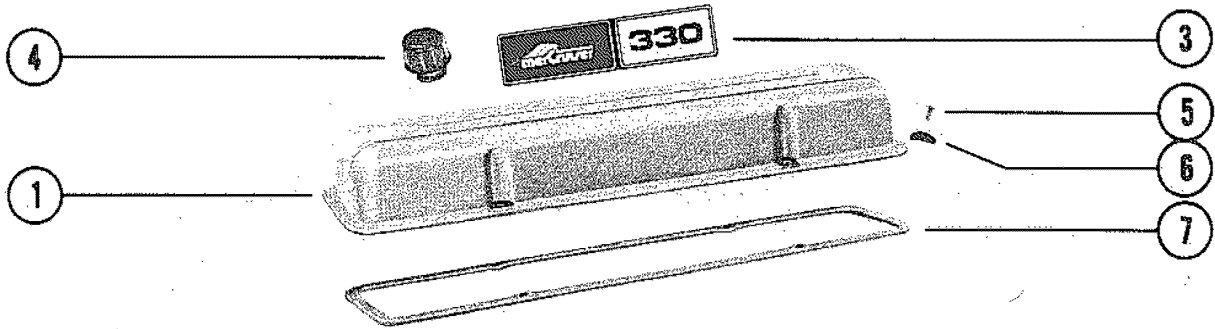
OIL COOLER, OIL FILTER AND HOSES



OIL COOLER, OIL FILTER AND HOSES

REF. NO.	PART NO.	SYM.	QTY.	DESCRIPTION
32	54-47715		1	CLAMP, MOLDED HOSE TO FLYWHEEL HOUSING (STARBOARD)
33	54-32780		2	CLAMP, MOLDED HOSE ATTACHING
34	63832--1		1	OIL COOLER (9")
	63832--2		1	OIL COOLER (12") - V-DRIVE ONLY
35	63820--1		1	BRACKET, OIL COOLER CLAMPING (LONG)
36	56328		1	BRACKET, OIL COOLER CLAMPING (SHORT)
37	10-69028		2	SCREW, CLAMPING BRACKET (3/4")
38	11-30506		2	NUT, CLAMPING BRACKET SCREW
39	10-47258		1	SCREW, OIL COOLER BRACKET TO ENGINE (5/8")
40	13-26993		1	LOCKWASHER, OIL COOLER BRACKET SCREW
41	32-54862		1	HOSE, OIL COOLER TO PICKUP WATER PUMP (8")
42	54-32780		2	CLAMP, HOSE ATTACHING

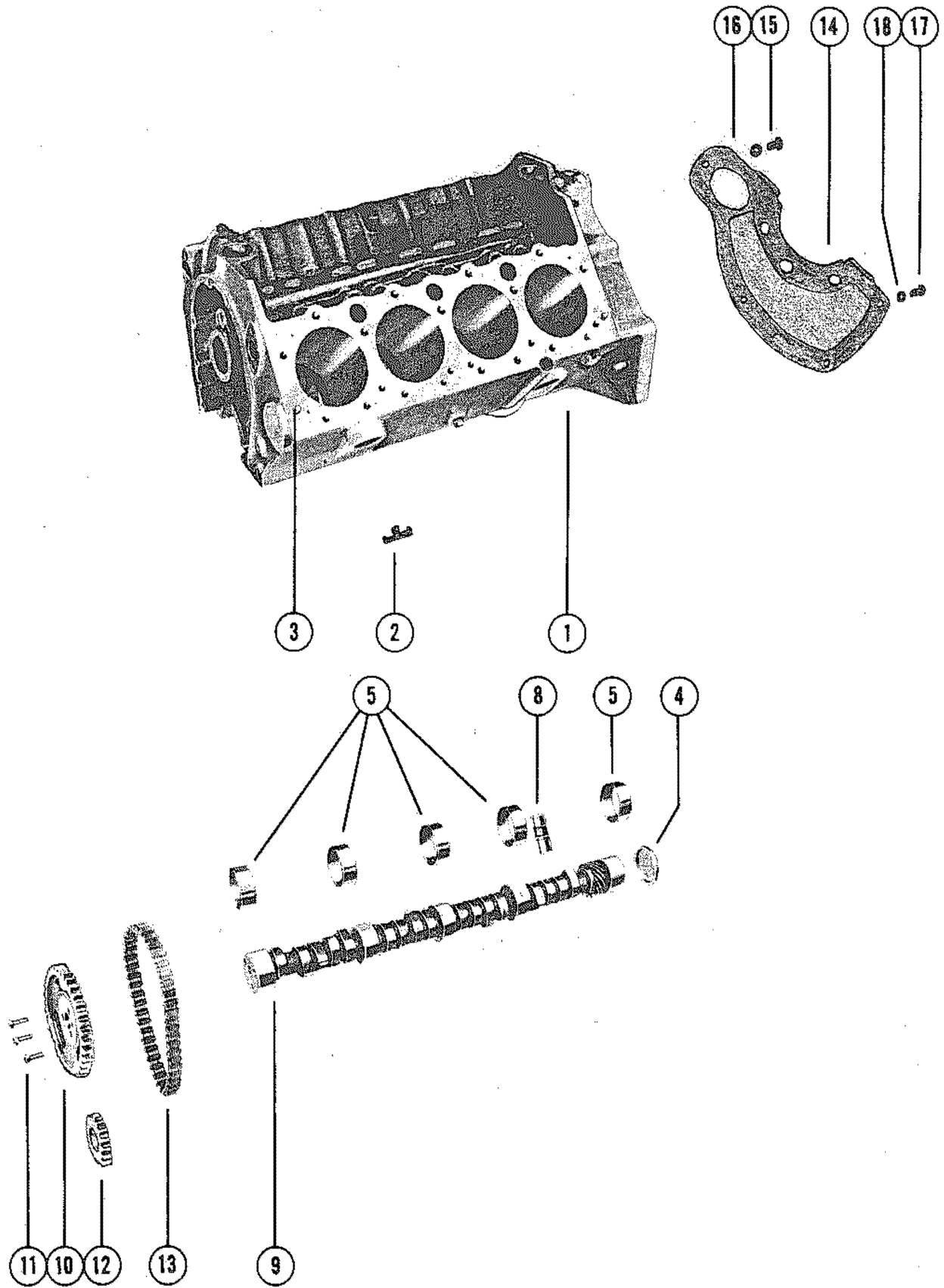
CYLINDER HEAD AND ROCKER COVER



CYLINDER HEAD AND ROCKER COVER

REF. NO.	PART NO.	SYM.	QTY.	DESCRIPTION
1	75591		1	COVER, ROCKER (LEFT) (NOT USED ON LATER ENGINES)
	75592		1	COVER, ROCKER (RIGHT) QUANTITY OF 2 ON LATER ENGINES)
2	37-77556		1	DECAL, ROCKER COVER "330 HP" (STARBOARD) STERN DRIVE
	37-77557		1	DECAL, ROCKER COVER "330 HP" (PORT) STERN DRIVE
	37-77258		1	DECAL, ROCKER COVER "330 HP" (STARBOARD) INBOARD
	37-77259		1	DECAL, ROCKER COVER "330 HP" (PORT) INBOARD
4	59965		1	CAP, OIL FILLER
5	10-35366		14	SCREW, ROCKER COVER TO CYLINDER HEAD (1/2")
6	49174		14	REINFORCEMENT, ROCKER COVER SCREW
7	27-49121		2	GASKET, ROCKER COVER
8	75589		8	ROD, VALVE PUSH (INLET)
	75590		8	ROD, VALVE PUSH (EXHAUST)
9	75979		8	GUIDE, PUSH ROD
10	67861		8	VALVE, EXHAUST (STANDARD)
	68572		AR	VALVE, EXHAUST (.015 O.S.)
	49134		8	VALVE, INLET (STANDARD)
	49135		AR	VALVE, INLET (.015 O.S.)
11	67862		8	ROTATOR, EXHAUST VALVE SPRING
12	15-54531		8	SHIM, INLET VALVE SPRING
13	26-75988		16	SEAL, VALVE STEM
14	24-75584		16	SPRING, VALVE
15	49129		16	CAP, VALVE SPRING
16	28-54530		32	KEY, VALVE STEM
17	72609		16	ARM, ROCKER VALVE
18	58041		16	BALL UNIT, ROCKER VALVE ARM
19	11-49119		16	NUT, ROCKER VALVE ARM STUD
20	938-5535		2	CYLINDER HEAD ASSEMBLY
21	16-49133		16	STUD, ROCKER VALVE ARM
22	27-49104		2	GASKET, CYLINDER HEAD TO CYLINDER BLOCK (2")
23	10-49105		8	BOLT, CYLINDER HEAD TO CYLINDER BLOCK (4 1/8")

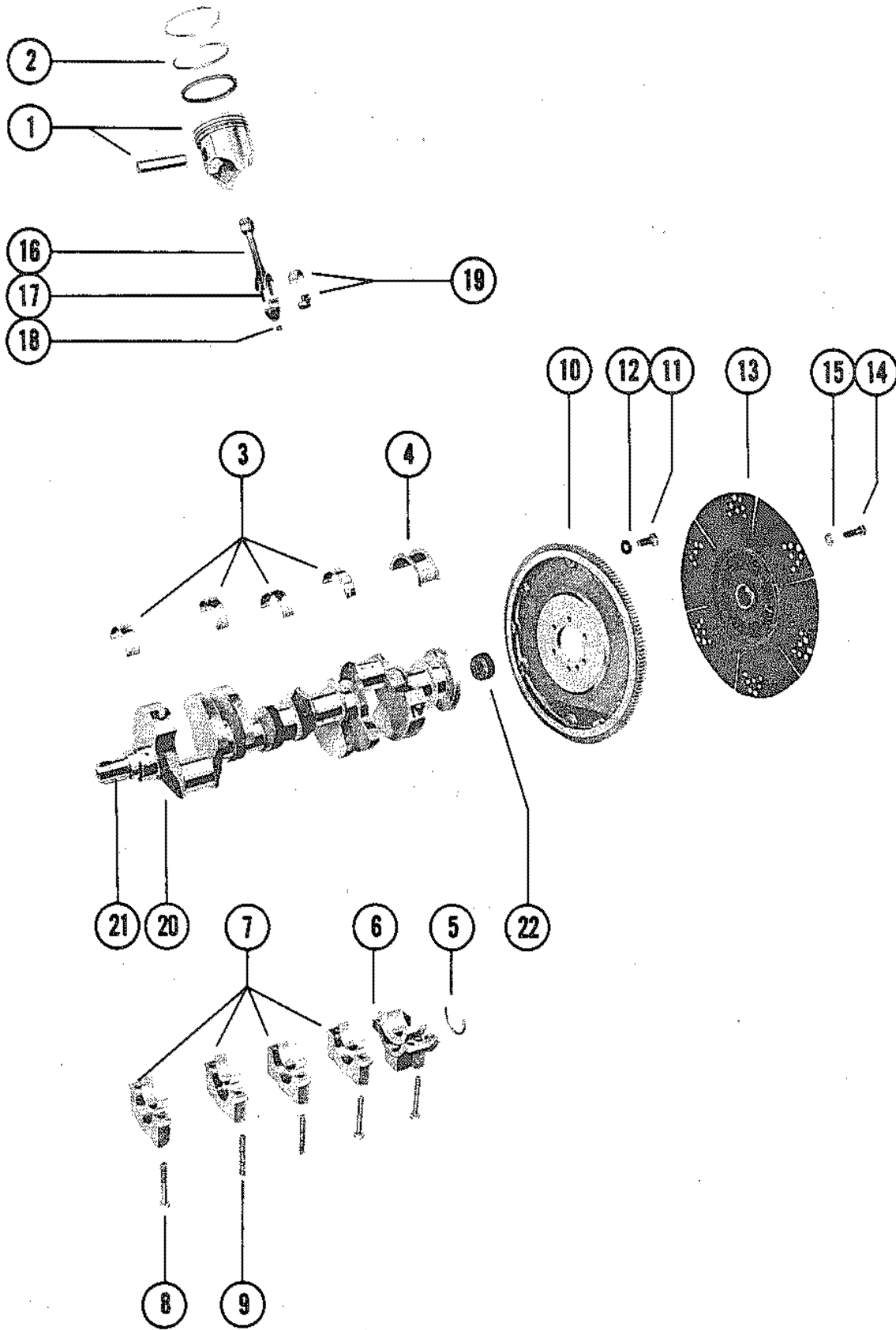
CYLINDER BLOCK AND CAMSHAFT



CYLINDER BLOCK AND CAMSHAFT

REF. NO.	PART NO.	SYM.	QTY.	DESCRIPTION
1	842-6522		1	CYLINDER BLOCK ASSEMBLY
-	22-49146		1	PLUG, PIPE - CYLINDER BLOCK (3/4")
-	19-37478		8	PLUG, PIPE - CYLINDER BLOCK (1 3/4")
-	22-48340		4	PLUG, PIPE - CYLINDER BLOCK (1/4")
-	22-48358		1	PLUG, PIPE - CYLINDER BLOCK (3/8")
2	22-87238		2	DRAIN COCK, WATER - CYLINDER BLOCK
3	17-52190		4	PIN, DOWEL - CYLINDER BLOCK TO CYLINDER HEAD
4	19-94140		1	PLUG, EXPANSION - CAMSHAFT BEARING HOLE
5	23-85684		1	BEARING UNIT, CAMSHAFT (SET)
8	49117		16	LIFTER, HYDRAULIC VALVE - TAPPET
9	431-4734		1	CAMSHAFT CHAIN DRIVEN ENGINES
10	43-86481		1	SPROCKET, CAMSHAFT CHAIN DRIVEN ENGINES
11	10-34505		3	BOLT, CAMSHAFT SPROCKET CHAIN DRIVEN ENGINES
12	43-86482		1	SPROCKET, CRANKSHAFT CHAIN DRIVEN ENGINES
13	75588		1	CHAIN, DRIVE CHAIN DRIVEN ENGINES
9	431-3427		1	CAMSHAFT GEAR DRIVEN ENGINES
-	23-49124		1	THRUST PLATE, CRAMSHAFT GEAR DRIVEN ENGINES
10	43-67115		1	GEAR, CAMSHAFT GEAR DRIVEN ENGINES
11	10-34277		2	BOLT, CAMSHAFT GEAR GEAR DRIVEN ENGINES
12	43-49114		1	GEAR, CRANKSHAFT GEAR DRIVEN ENGINES
14	77400		1	COVER, TRANSMISSION HOUSING STERN DRIVE
15	10-33231		3	SCREW, COVER TO ENGINE (1/2") STERN DRIVE
16	13-39107		3	LOCKWASHER, COVER SCREW STERN DRIVE
17	10-20031		1	SCREW, COVER TO ENGINE (1/2") STERN DRIVE
18	13-26992		1	LOCKWASHER, COVER SCREW STERN DRIVE

PISTONS AND CRANKSHAFT

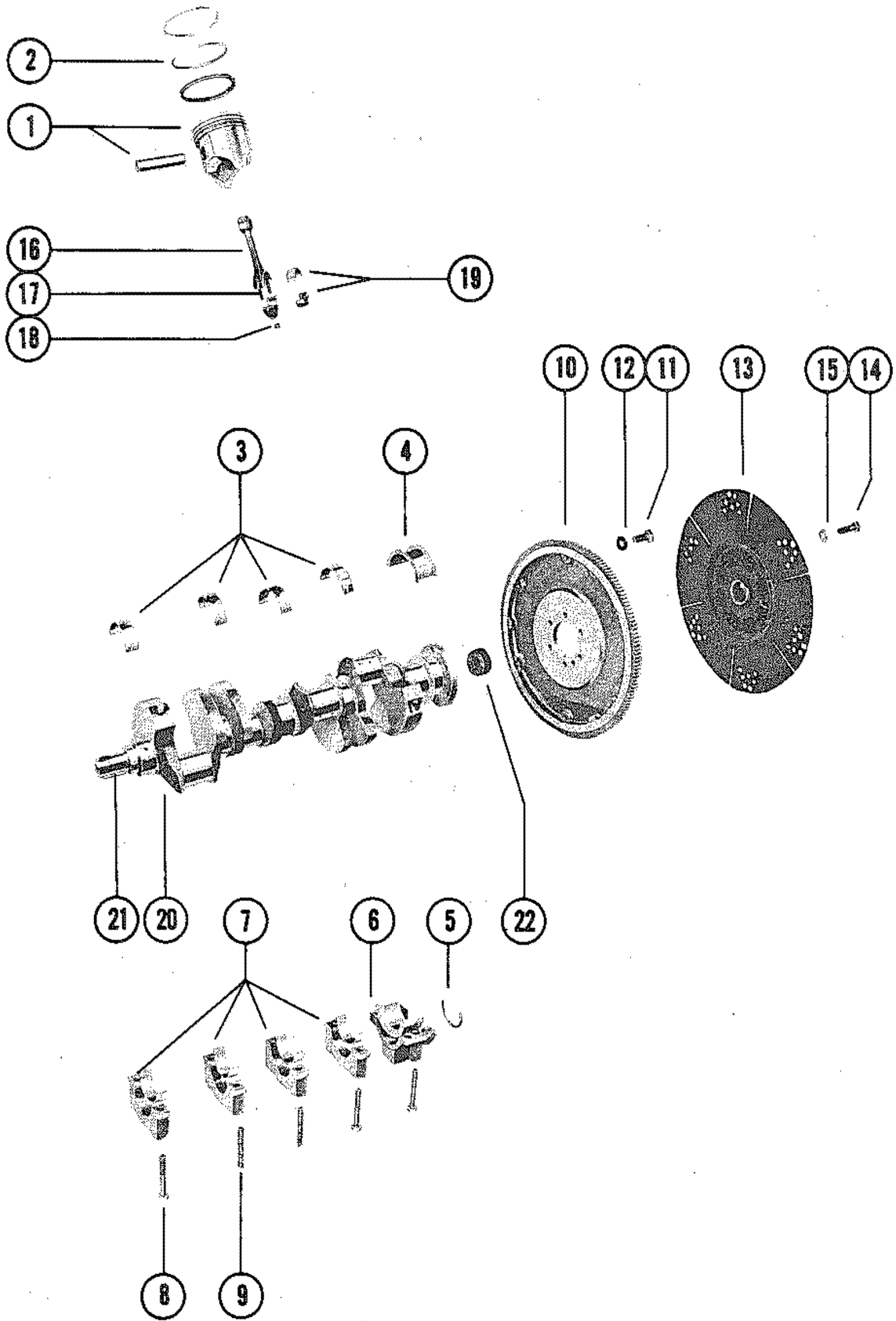


PISTONS AND CRANKSHAFT

REF. NO.	PART NO.	SYM.	QTY.	DESCRIPTION
1	737-6523		8	PISTON AND PISTON PIN ASSEMBLY (STANDARD) NOT INCLUDED WITH CYLINDER BLOCK ASSY
	737-6615		AR	PISTON AND PISTON PIN ASSEMBLY (.030 O.S.) NOT INCLUDED WITH CYLINDER BLOCK ASSY
2	39-67127		8	RING, PISTON (STANDARD) NOT INCLUDED WITH CYLINDER BLOCK ASSY
	39-67128		AR	RING, PISTON (.030 O.S.) NOT INCLUDED WITH CYLINDER BLOCK ASSY
3	23-85721		4	BEARING UNIT, CRANKSHAFT MAIN (STANDARD) NOT INCLUDED WITH CYLINDER BLOCK ASSY
	23-85685		AR	BEARING UNIT, CRANKSHAFT MAIN (.001 U.S.) NOT INCLUDED WITH CYLINDER BLOCK ASSY
	23-85723		AR	BEARING UNIT, CRANKSHAFT MAIN (.002 U.S.) NOT INCLUDED WITH CYLINDER BLOCK ASSY
	23-85724		AR	BEARING UNIT, CRANKSHAFT MAIN (.010 U.S.) NOT INCLUDED WITH CYLINDER BLOCK ASSY
	23-85725		AR	BEARING UNIT, CRANKSHAFT MAIN (.020 U.S.) NOT INCLUDED WITH CYLINDER BLOCK ASSY
4	23-85686		1	BEARING UNIT, CRANKSHAFT MAIN - REAR (STANDARD) NOT INCLUDED WITH CYLINDER BLOCK ASSY
	23-85687		AR	BEARING UNIT, CRANKSHAFT MAIN - REAR (.001 U.S.) NOT INCLUDED WITH CYLINDER BLOCK ASSY
	23-85688		AR	BEARING UNIT, CRANKSHAFT MAIN - REAR (.002 U.S.) NOT INCLUDED WITH CYLINDER BLOCK ASSY
	23-85689		AR	BEARING UNIT, CRANKSHAFT MAIN - REAR (.010 U.S.) NOT INCLUDED WITH CYLINDER BLOCK ASSY
	23-85690		AR	BEARING UNIT, CRANKSHAFT MAIN - REAR (.020 U.S.) NOT INCLUDED WITH CYLINDER BLOCK ASSY
5	26-75585		1	OIL SEAL, REAR CRANKSHAFT BRG. CAP (L.H. ROTATION) NOT INCLUDED WITH CYLINDER BLOCK ASSY
	26-75980		1	OIL SEAL, REAR CRANKSHAFT BRG. CAP (R.H. ROTATION) NOT INCLUDED WITH CYLINDER BLOCK ASSY
6	75583		1	CAP, REAR - CRANKSHAFT BEARING
7	75582		4	CAP, INTERMEDIATE AND FRONT - CRANKSHAFT BEARING
8	10-49147		6	BOLT, CRANKSHAFT BEARING CAP TO CYLINDER BLOCK (3 3/8")
9	16-49144		4	STUD, CRANKSHAFT BEARING CAP TO CYLINDER BLOCK
10	230-6540		1	FLYWHEEL ASSEMBLY (STERN DRIVE)
	230-5534		1	FLYWHEEL ASSEMBLY (INBOARD)
11	10-49845		6	SCREW, FLYWHEEL TO CRANKSHAFT
12	13-39131		6	LOCKWASHER< FLYWHEEL SCREW
13	77480		1	DRIVE PLATE, FLYWHEEL (STERN DRIVE)
	47607		1	DRIVE PLATE, FLYWHEEL (INBOARD)
14	10-35091		6	SCREW, DRIVE PLATE TO FLYWHEEL
15	13-35048		6	LOCKWASHER, DRIVE PLATE SCREW
16	614-3553		8	CONNECTING ROD ASSEMBLY
17	10-52192		16	BOLT, CONNECTING ROD CAP
18	11-37493		16	NUT, CONNECTING ROD CAP BOLT

CONTINUED ON NEXT PAGE ➡

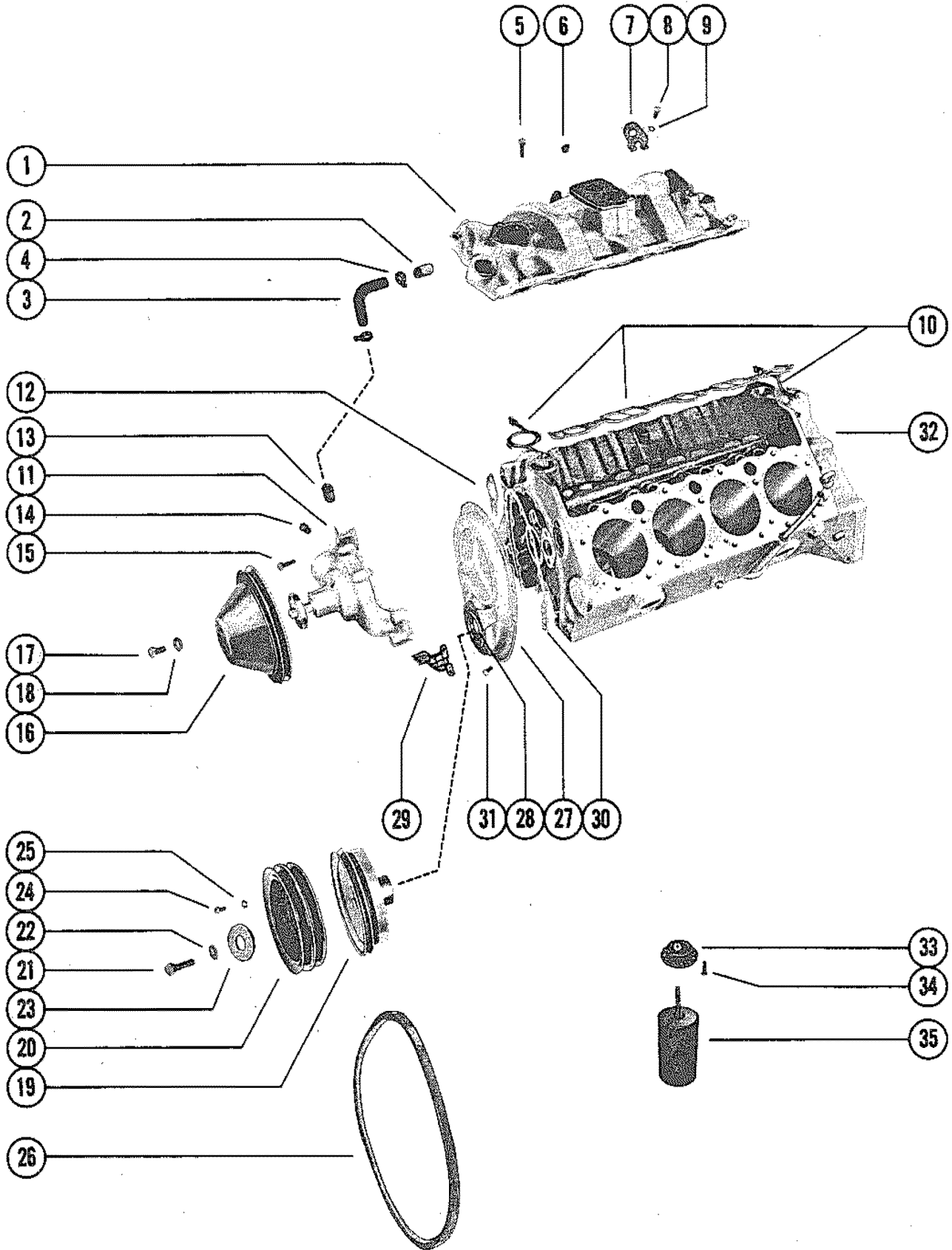
PISTONS AND CRANKSHAFT



PISTONS AND CRANKSHAFT

REF. NO.	PART NO.	SYM.	QTY.	DESCRIPTION
19	23-85726		8	BEARING SET (PAIR), CONNECTING ROD (STANDARD)
	23-85727		AR	BEARING UNIT (PAIR), CONNECTING ROD (.001 U.S.)
	23-85728		AR	BEARING UNIT (PAIR), CONNECTING ROD (.002 U.S.)
	23-85691		AR	BEARING UNIT (PAIR), CONNECTING ROD (.010 U.S.)
	23-85729		AR	BEARING UNIT (PAIR), CONNECTING ROD (.020 U.S.)
20	429-6612		1	CRANKSHAFT (L.H. ROTATION)
	429-6613		1	CRANKSHAFT (R.H. ROTATION)
21	28-34466		3	KEY, CRANKSHAFT GEAR, CAMSHAFT GEAR AND DAMPER
22	23-71647		1	BUSHING, CRANKSHAFT PILOT (STERN DRIVE)

INTAKE MANIFOLD AND WATER PUMP

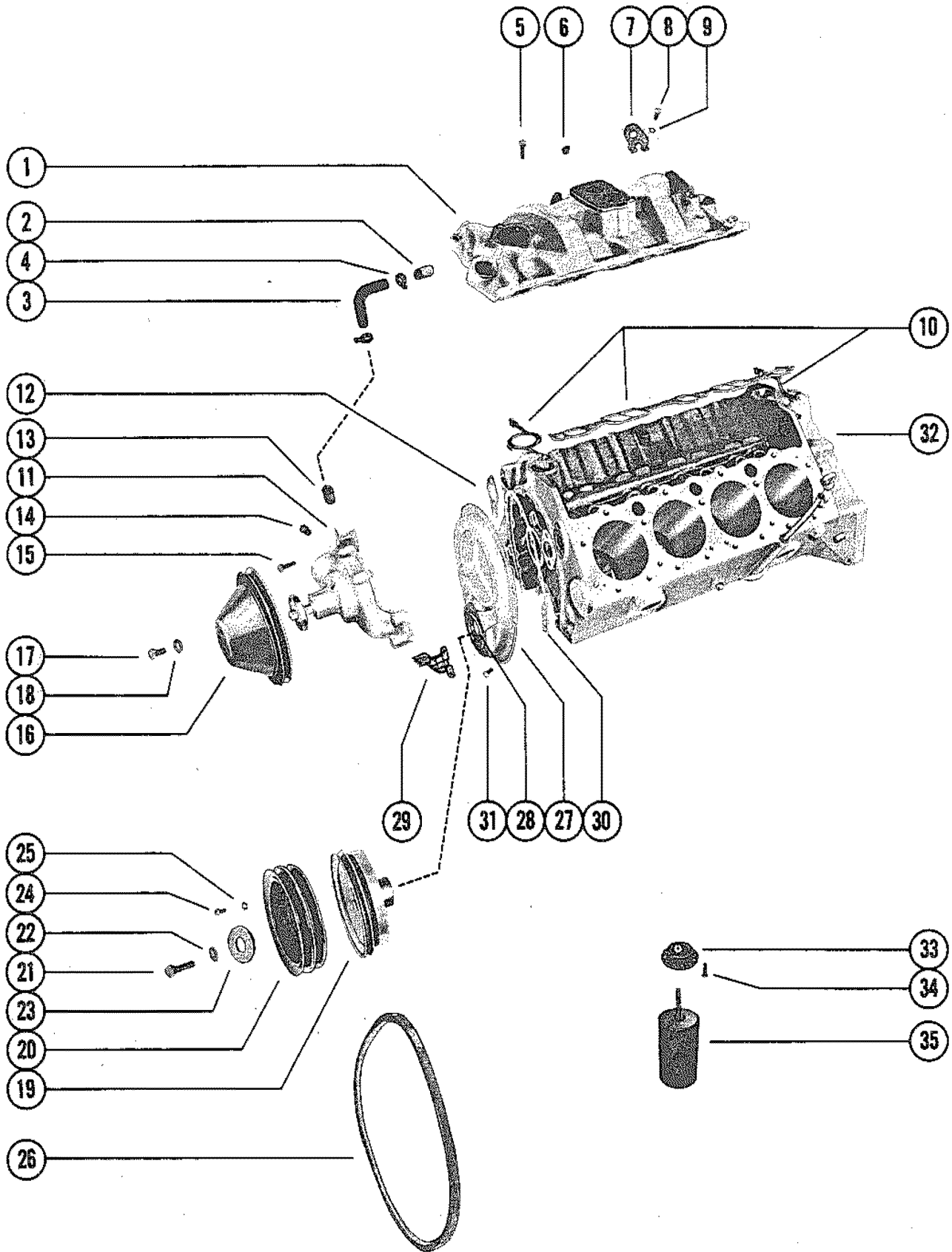


INTAKE MANIFOLD AND WATER PUMP

REF. NO.	PART NO.	SYM.	QTY.	DESCRIPTION
1	59974		1	INTAKE MANIFOLD
2	22-66201		1	CONNECTOR, INTAKE MANIFOLD - BY-PASS HOSE
3	32-66206		1	HOSE, BY-PASS - INTAKE MANIFOLD TO WATER PUMP
4	54-38426		2	CLAMP, BY-PASS HOSE ATTACHING
5	10-37510		16	BOLT, INTAKE MANIFOLD TO CYLINDER BLOCK (1 1/4")
6	22-48336		1	PLUG, PIPE - INTAKE MANIFOLD
7	54-47513		1	EYE, LIFTING - REAR
	54-94015		1	EYE, LIFTING - FRONT (STERN DRIVE)
	54-64628		1	EYE, LIFTING - FRONT (INBOARD)
8	10-34354		2	SCREW, LIFTING EYE ATTACHING (1 1/2") 2 USED ON STERN DRIVE; 4 USED ON INBOARD
9	13-35048		2	LOCKWASHER, LIFTING EYE SCREW 2 USED ON STERN DRIVE; 4 USED ON INBOARD
10	27-65184		1	GASKET SET, INTAKE MANIFOLD
11	67859		1	WATER PUMP ASSEMBLY
12	27-49110		2	GASKET, WATER PUMP MOUNTING
13	22-66201		1	CONNECTOR, WATER PUMP - BY-PASS HOSE (INBOARD)
14	22-48336		1	PLUG, PIPE - WATER PUMP (STERN DRIVE)
	22-75983		1	PLUG, PIPE - WATER PUMP (INBOARD)
15	10-32132		4	SCREW, WATER PUMP TO CYLINDER BLOCK (1 3/4")
16	59775		AR	PULLEY, WATER PUMP (3 GROOVE)
	52349		AR	PULLEY, WATER PUMP (1 GROOVE)
17	10-47277		4	SCREW, PULLEY TO WATER PUMP (3/4")
18	13-39107		4	LOCKWASHER, WATER PUMP PULLEY SCREW
19	75586		1	DAMPER, TORSIONAL - CRANKSHAFT
20	77244		1	PULLEY, TORSIONAL DAMPER (STERN DRIVE)-W/POWER STEERING
	52181		1	PULLEY, TORSIONAL DAMPER (STERN DRIVE AND INBOARD)
21	10-49101		1	BOLT, PULLEY AND TORSIONAL DAMPER TO CRANKSHAFT
22	13-49102		1	LOCKWASHER, PULLEY AND TORSIONAL DAMPER BOLT
23	12-49103		1	WASHER, PULLEY AND TORSIONAL DAMPER BOLT
24	10-34353		3	BOLT, PULLEY TO DAMPER (1")-STERN DRIVE-W/POWER STEERING
	10-76926		0	BOLT, PULLEY TO DAMPER (7/8")-STERN DRIVE-W/O POWER STEERING
	10-27165		3	BOLT, PULLEY TO DAMPER (INBOARD)
25	13-35048		1	LOCKWASHER, PULLEY BOLT
26	57-78200		1	BELT, ALTERNATOR DRIVE (47")
27	66215		1	COVER ASSEMBLY, CRANKCASE FRONT END
28	26-49154		1	OIL SEAL, CRANKCASE FRONT END COVER
29	59966		1	POINTER, TIMING (L.H. ROTATION)
	59981		1	POINTER, TIMING (R.H. ROTATION)
30	27-54529		1	GASKET, CRANKCASE FRONT END COVER

CONTINUED ON NEXT PAGE ➡

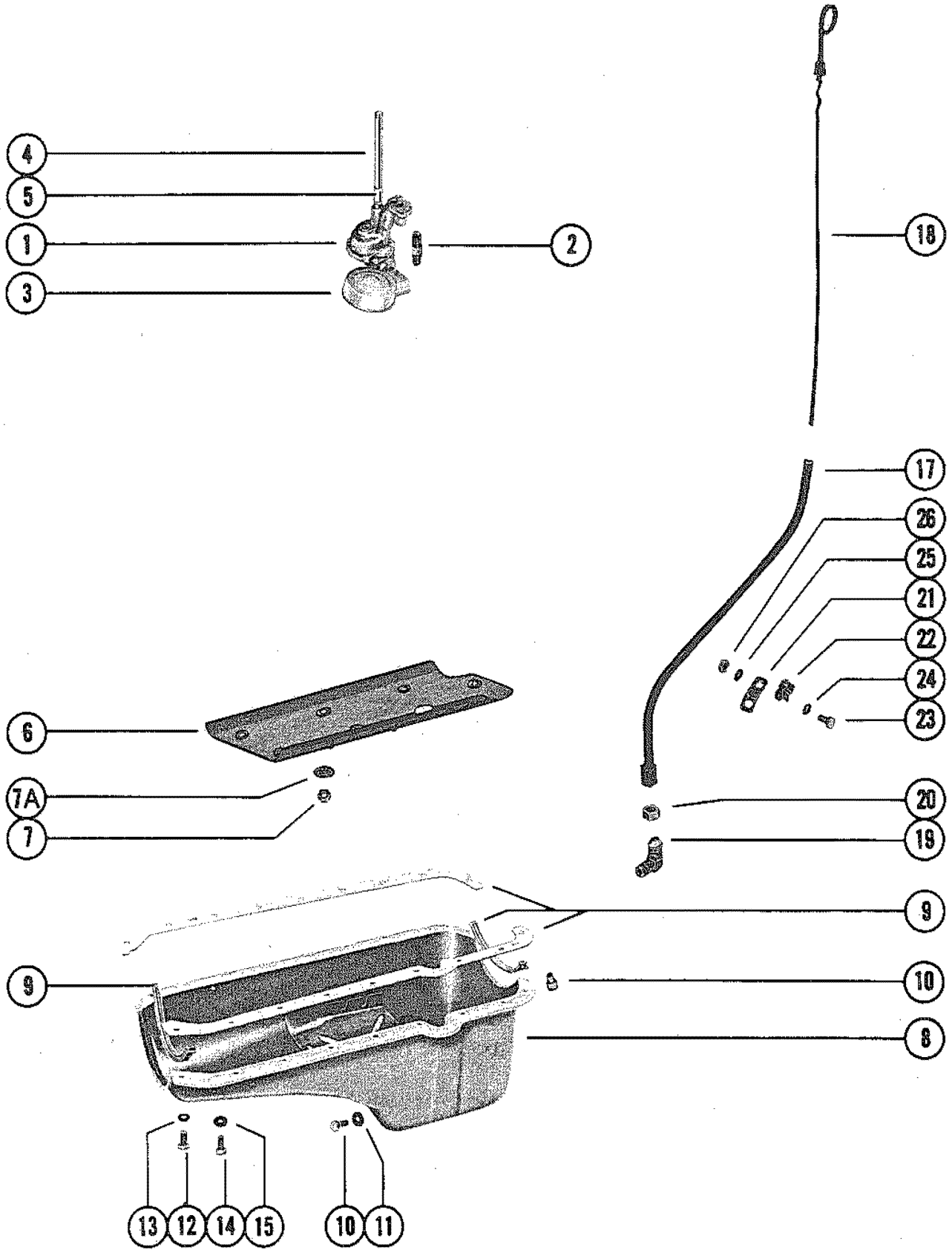
INTAKE MANIFOLD AND WATER PUMP



INTAKE MANIFOLD AND WATER PUMP

REF. NO.	PART NO.	SYM.	QTY.	DESCRIPTION
31	10-34277		10	SCREW, CRANKCASE FRONT END COVER TO CYLINDER BLOCK (7/16")
32	842-6522		1	CYLINDER BLOCK ASSEMBLY
33	53338		1	ADAPTOR, OIL FILTER STERN DRIVE
34	10-54786		2	BOLT, OIL FILTER ADAPTOR STERN DRIVE
35	52731		1	OIL FILTER STERN DRIVE

OIL PAN AND OIL PUMP

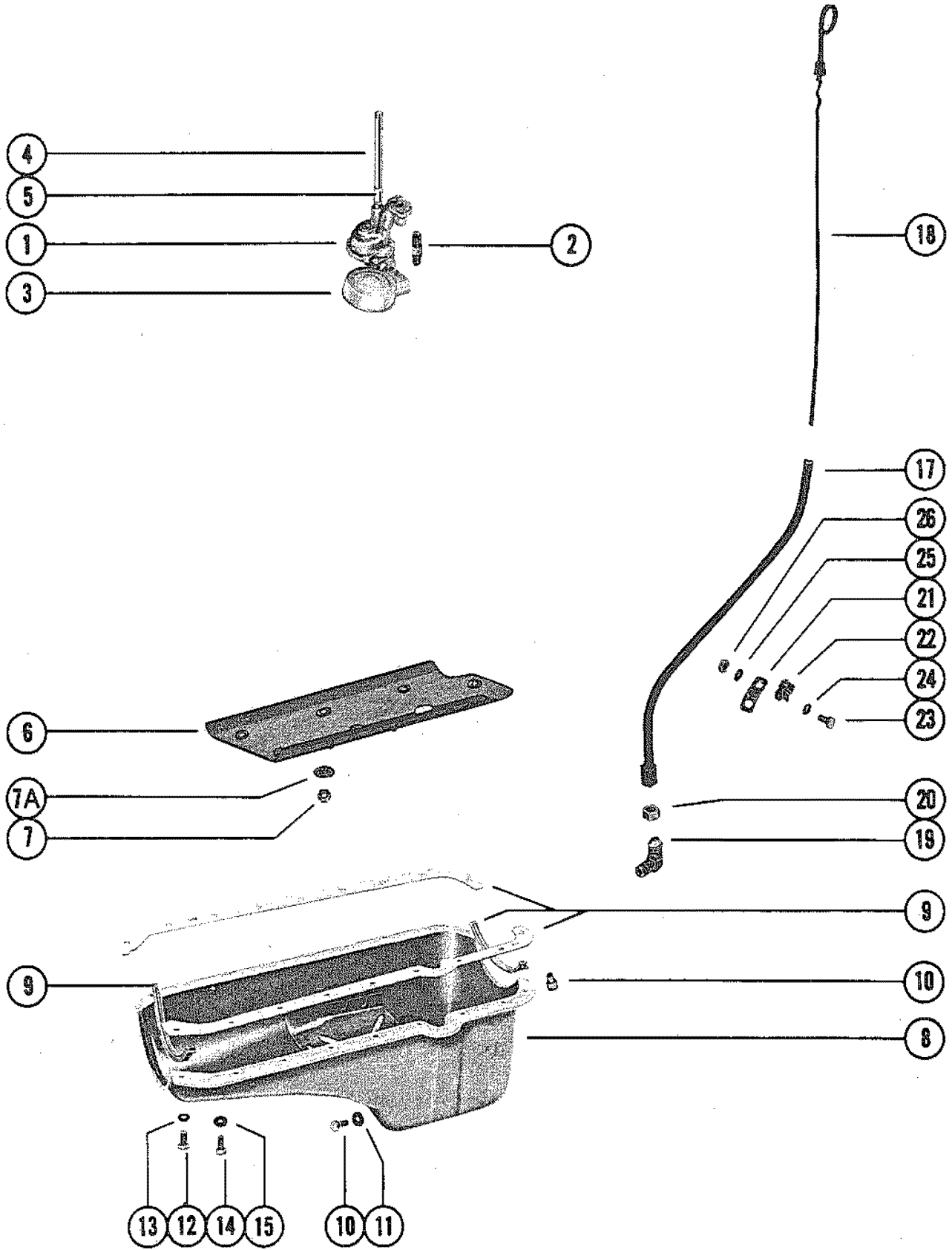


OIL PAN AND OIL PUMP

REF. NO.	PART NO.	SYM.	QTY.	DESCRIPTION
1	59978		1	OIL PUMP SERIAL 00000000-04889679
	85805		1	OIL PUMP (w/pick-up tube) (SERIAL 04889680-05517159)
	808693A1		1	OIL PUMP (w/o pick-up tube)
NA	809772T		1	PICK-UP TUBE (Use with 808693A1)
1	94846		1	OIL PUMP SERIAL 05517160-09999999
	85805		1	OIL PUMP(INBOARD) (w/pick-up tube) (SERIAL 04889680-09999999)
2	16-49108		1	STUD, OIL PUMP TO CYLINDER BLOCK
3	59977		1	SCREEN ASSEMBLY, OIL PUMP
4	49149		1	SHAFT, OIL PUMP TO DISTRIBUTOR
5	23-36183		1	RETAINER, OIL PUMP SHAFT
6	49198		1	BAFFLE, OIL PAN (CYLINDER BLOCK)
7	11-37500		5	NUT, BAFFLE TO CYLINDER BLOCK STUD AND OIL PUMP STUD
7A	12-49112		5	WASHER, BAFFLE BOLT
8	75639		1	OIL PAN(STERN DRIVE) SERIAL 00000000-05517159
	93477		1	OIL PAN(STERN DRIVE) SERIAL 05517160-09999999
	47552		1	OIL PAN (INBOARD)
9	27-52550		1	GASKET SET, OIL PAN
10	10-49956		1	SCREW, OIL PAN DRAIN STERN DRIVE
11	27-49955		1	GASKET, OIL PAN DRAIN SCREW STERN DRIVE
12	10-72607		3	SCREW, OIL PAN TO CYL. BLOCK (5/16 - 18 X 7/8) STERN DRIVE
14	10-34500		17	SCREW, OIL PAN TO CYL. BLOCK (1/4 - 20 X 7/8) STERN DRIVE
10	22-87543		1	PLUG, PIPE - OIL PAN DRAIN INBOARD
12	10-55714		10	SCREW, OIL PAN TO BLOCK (5/16 - 18 X 7/8) INBOARD
13	13-26993		10	LOCKWASHER, OIL PAN SCREW INBOARD
14	10-55715		2	SCREW, OIL PAN TO BLOCK (1/4 - 20 X 7/8) INBOARD
15	13-26992		2	LOCKWASHER, OIL PAN SCREW INBOARD
17	68035		1	TUBE, OIL LEVEL STERN DRIVE
18	78525		1	GAUGE, OIL LEVEL (DIPSTICK) STERN DRIVE
22	54-68050		1	CLIP, OIL LEVEL TUBE STERN DRIVE
23	10-27165		1	SCREW, CLIP ATTACHING STERN DRIVE
24	13-37459		1	LOCKWASHER, CLIP SCREW STERN DRIVE
17	86890A1		1	TUBE ASSEMBLY, OIL LEVEL GAUGE INBOARD
18	87353		1	GAUGE, OIL LEVEL (DIPSTICK) INBOARD
19	22-47625		1	ELBOW, OIL LEVEL GAUGE TUBE TO OIL PAN INBOARD
20	11-47626		1	NUT, OIL LEVEL GAUGE TUBE INBOARD
21	48134		1	BRACKET, OIL LEVEL GAUGE INBOARD

CONTINUED ON NEXT PAGE ➡

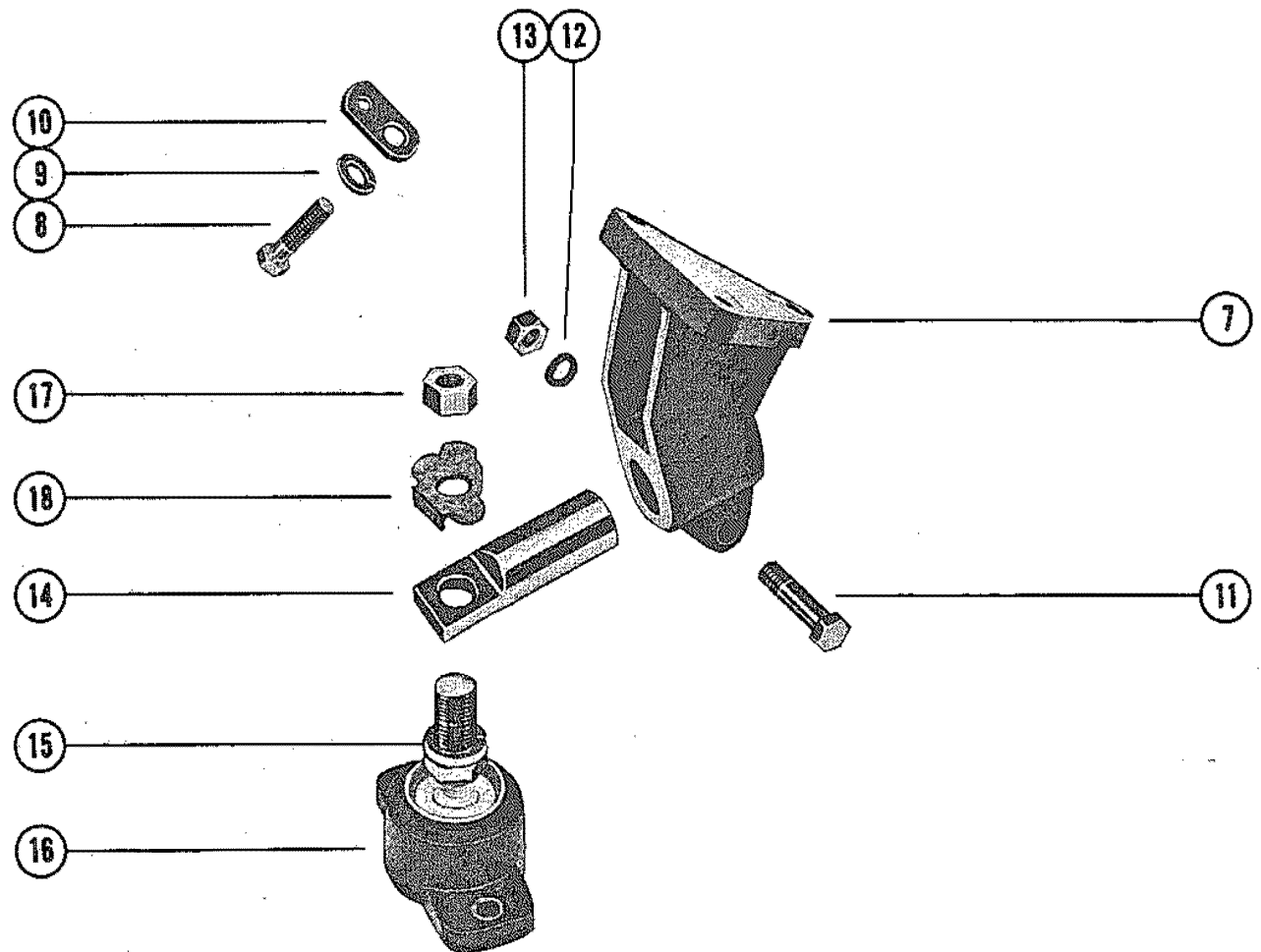
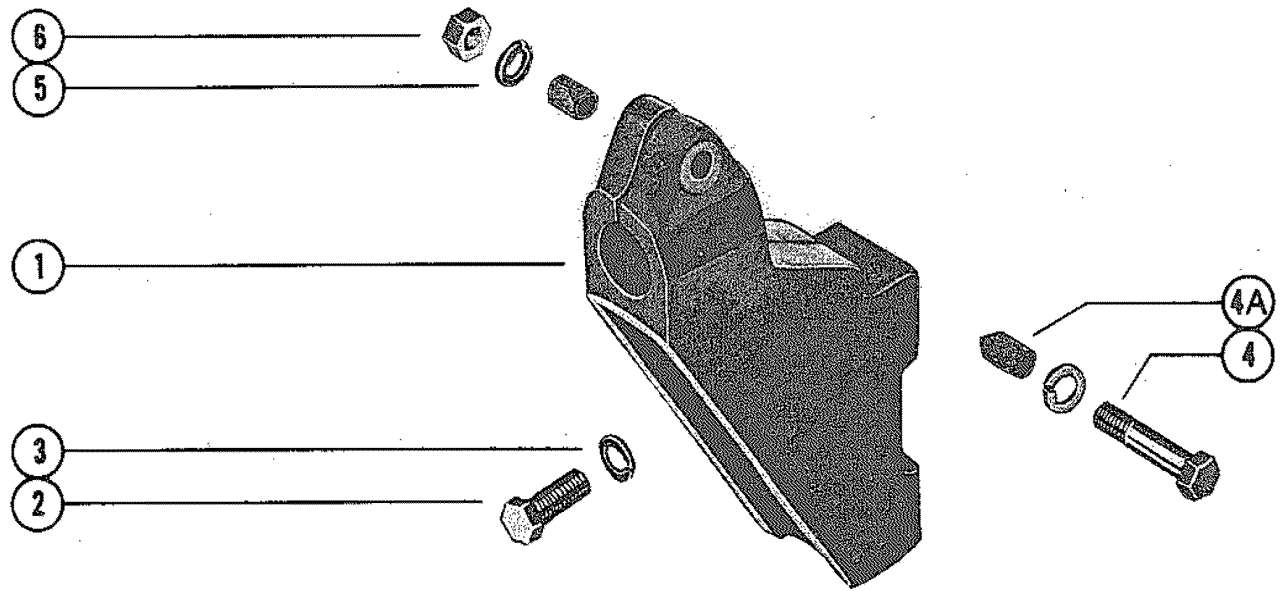
OIL PAN AND OIL PUMP



OIL PAN AND OIL PUMP

REF. NO.	PART NO.	SYM.	QTY.	DESCRIPTION
22	54-47545		1	CLIP, OIL LEVEL TUBE INBOARD
23	10-33524		1	SCREW, CLIP TO BRACKET (5/8") INBOARD
24	13-39107		1	LOCKWASHER, CLIP SCREW INBOARD
25	12-20553		1	WASHER, OIL LEVEL TUBE BRACKET INBOARD
26	11-22053		1	NUT, CLIP SCREW INBOARD

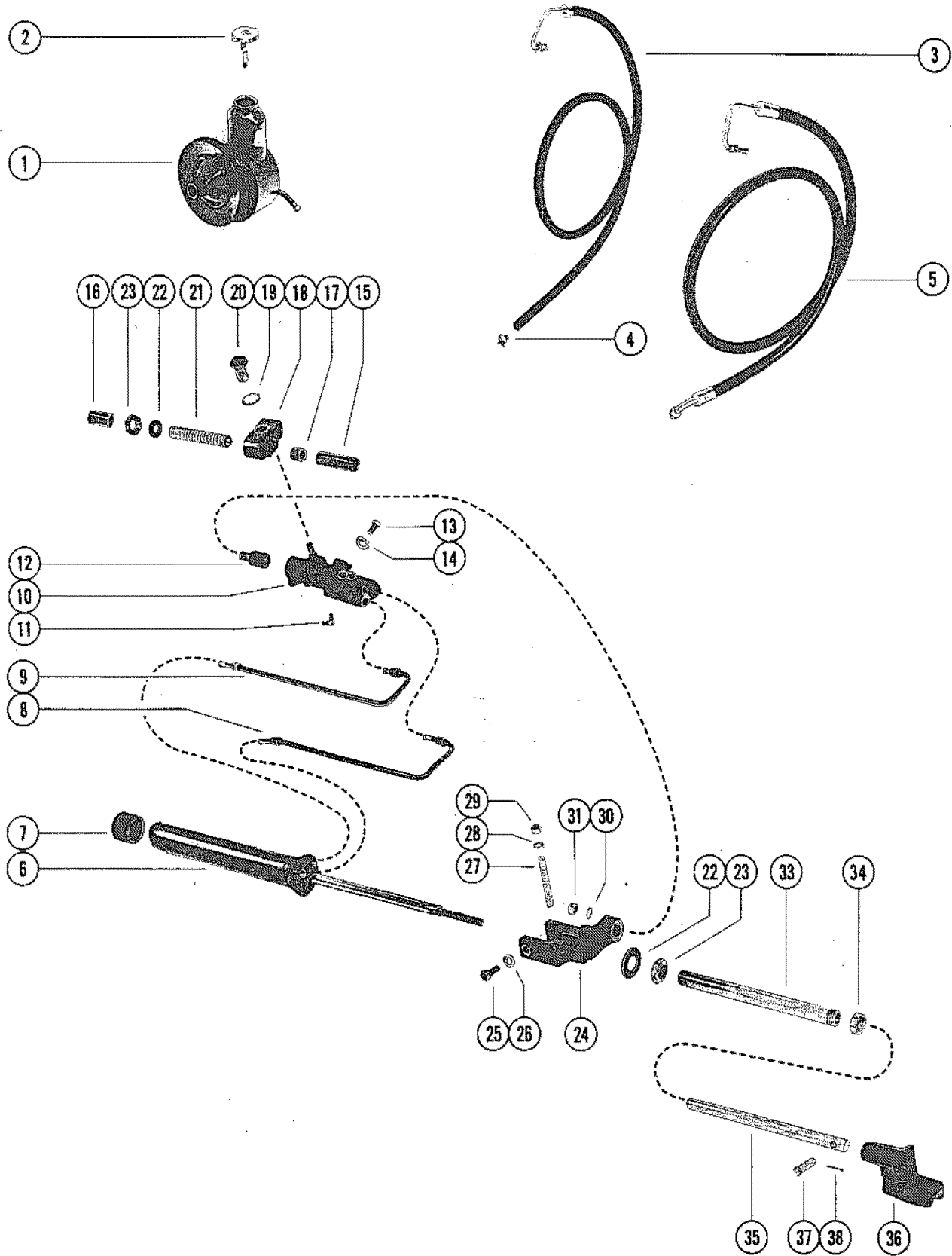
MOUNTING BRACKETS



MOUNTING BRACKETS

REF. NO.	PART NO.	SYM.	QTY.	DESCRIPTION
1	66167		2	BRACKET, MOUNTING -TRANSMISSION (REAR) INBOARD
2	10-37269		4	SCREW, BRACKET TO TRANSMISSION (2") INBOARD
3	13-32993		4	LOCKWASHER, BRACKET SCREW INBOARD
4	10-57357		2	SCREW, CLAMPING - MOUNTING BRACKET (2 1/4") INBOARD
1	62285		2	BRACKET, MOUNTING (REAR) V-DRIVE
2	10-47462		6	SCREW, BRACKET TO TRANSMISSION (1 1/4") V-DRIVE
3	13-32993		6	LOCKWASHER, BRACKET SCREW V-DRIVE
4	10-47654		2	SCREW, CLAMPING - MOUNTING BRACKET (2 3/4") V-DRIVE
4A	54-47528		4	CLAMP, ADJUSTING TRUNNION SCREW
5	13-32993		2	LOCKWASHER, CLAMPING SCREW
6	11-29553		2	NUT, CLAMPING SCREW
7	66418		2	BRACKET, MOUNTING - ENGINE (FRONT)
8	10-68101		6	SCREW, MOUNTING BRACKET TO ENGINE (1 3/8")
9	13-35048		6	LOCKWASHER, MOUNTING BRACKET SCREW
10	64884		1	TAB, MOUNTING BRACKET SCREW
11	10-37269		2	SCREW, CLAMPING - MOUNTING BRACKET (2")
12	13-32993		2	LOCKWASHER, CLAMPING SCREW
13	11-29553		2	NUT, CLAMPING SCREW
14	66166		4	TRUNNION, ADJUSTING - MOUNTING BRACKET
15	13-68102		4	LOCKWASHER, MOUNTING BRACKET
16	66284		4	BASE, ENGINE MOUNT
17	11-20739		8	NUT, JAME - ENGINE MOUNT BASE
18	14-66658		2	TAB WASHER, CLAMPING SCREW

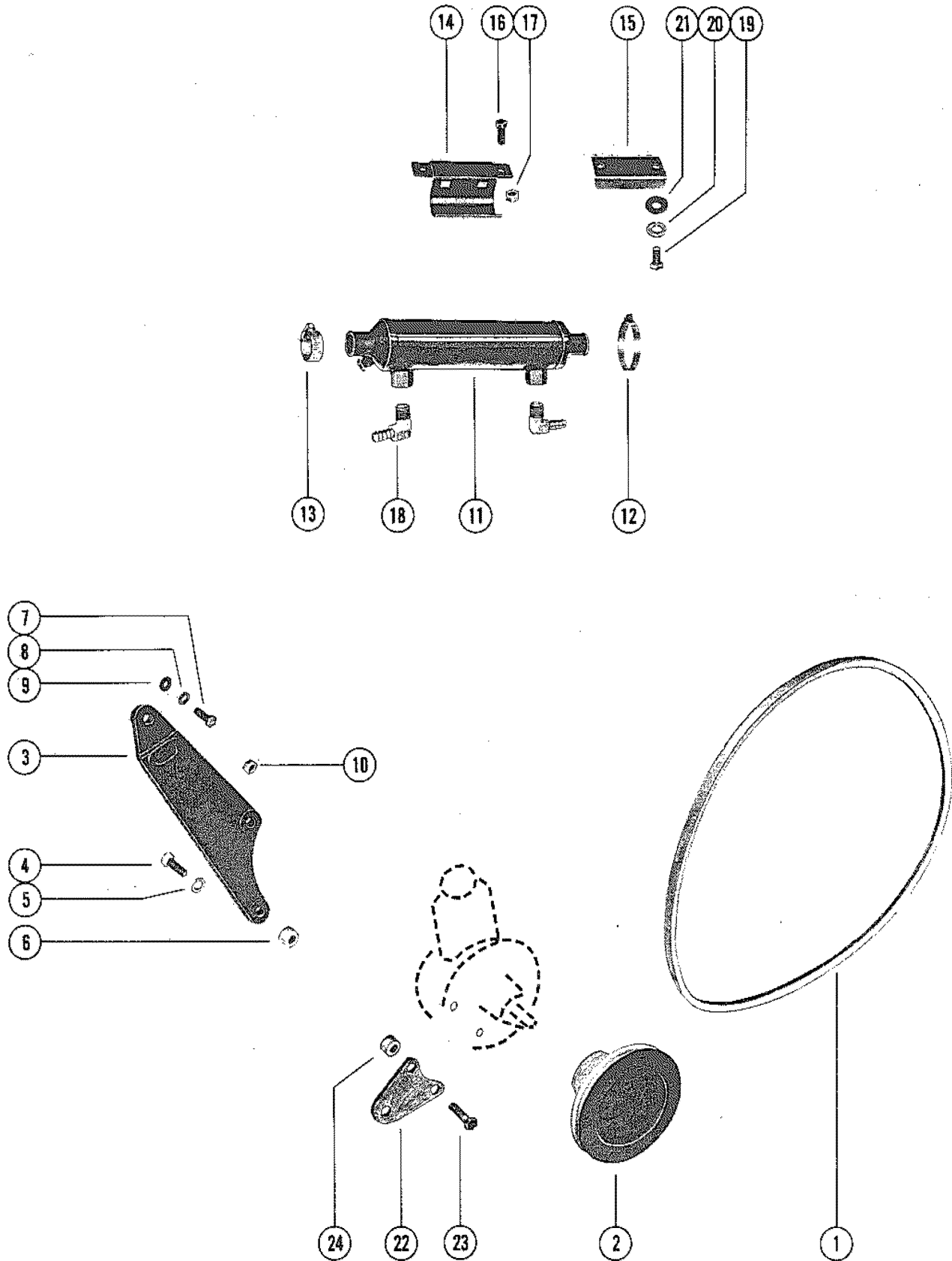
POWER STEERING COMPONENTS (STERN DRIVE) WITH HOSES



POWER STEERING COMPONENTS (STERN DRIVE) WITH HOSES

REF. NO.	PART NO.	SYM.	QTY.	DESCRIPTION
1	71317A8		1	STEERING PUMP ASSEMBLY, POWER STEERING (NON METRIC)
	90507A1		1	STEERING PUMP ASSEMBLY, POWER STEERING (METRIC)
2	38333		1	CAP, FILLER - PUMP
3	32-65929		1	HOSE, RETURN - POWER STEERING (28")
	32-65231		1	HOSE, RETURN - POWER STEERING (31")
4	54-35830		3	CLAMP, HOSE TO STEERING PUMP
5	32-55116		1	HOSE, PRESSURE - POWER STEERING (60")-NON METRIC
	32-90494		1	HOSE, PRESSURE - POWER STEERING (60")-METRIC
6	57969		1	CYLINDER, BOOSTER - POWER STEERING
7	26059		1	CAP, RUBBER - BOOSTER CYLINDER
8	32-57633		1	TUBE, EXTENDING - POWER STEERING
9	32-57634		1	TUBE, RETRACTING - POWER STEERING
10	52779A2		1	VALVE, POWER STEERING
11	22-67305		1	FITTING, GREASE - POWER VALVE
12	16-55109		1	STUD, ADAPTOR - POWER STEERING VALVE
13	10-37612		1	SCREW, CLAMPING (1 1/4")
14	13-37459		1	LOCKWASHER, CLAMPING SCREW
15	23-60652		1	SLEEVE, ADJUSTING - CABLE GUIDE TUBE
16	64414		1	GUIDE, CABLE GUID TUBE
17	23-60773		1	SLEEVE, CABLE GUIDE TUBE
18	55110		1	ADAPTOR, CABLE GUIDE TUBE (DUAL)
19	13-20897		1	LOCKWASHER, DUAL ADAPTOR NUT
20	11-55111		1	NUT, DUAL ADAPTOR TO POWER STEERING VALVE
21	32-55112		1	TUBE, CABLE GUIDE
22	12-37985		2	WASHER, CABLE GUIDE TUBE AND MOUNTING TUBE
23	11-37984		2	NUT, CABLE GUIDE TUBE AND MOUNTING TUBE
24	57286		1	BRACKET, MOUNTING - TRANSOM PLATE
25	10-31832		2	SCREW, MOUNTING BRACKET TO TRANSOM PLATE (1")
26	13-31848		2	LOCKWASHER, MOUNTING BRACKET SCREW
27	10-57968		1	SCREW, ADJUSTING - MOUNTING BRACKET (3")
28	13-37459		1	LOCKWASEHR, ADJUSTING SCREW
29	11-24883		1	NUT, ADJUSTING SCREW
30	12-20959		1	WASHER, VALVE ADAPTOR STUD
31	11-28040		1	NUT, VALVE ADAPTOR STUD
33	57971		1	TUBE, MOUNTING - BOOSTER ROD EXTENSION
34	11-55983		1	NUT, JAM - MOUNTING TUBE
35	57970		1	EXTENSION - CYLINDER BOOSTER ROD
36	66626		1	ADAPTOR, ROD END
37	17-52798		2	PIN, CLEVIS - STEERING CABLE AND CLEVIS ATTACHING
38	18-46950		2	COTTER PIN, CLEVIS PIN RETAINING

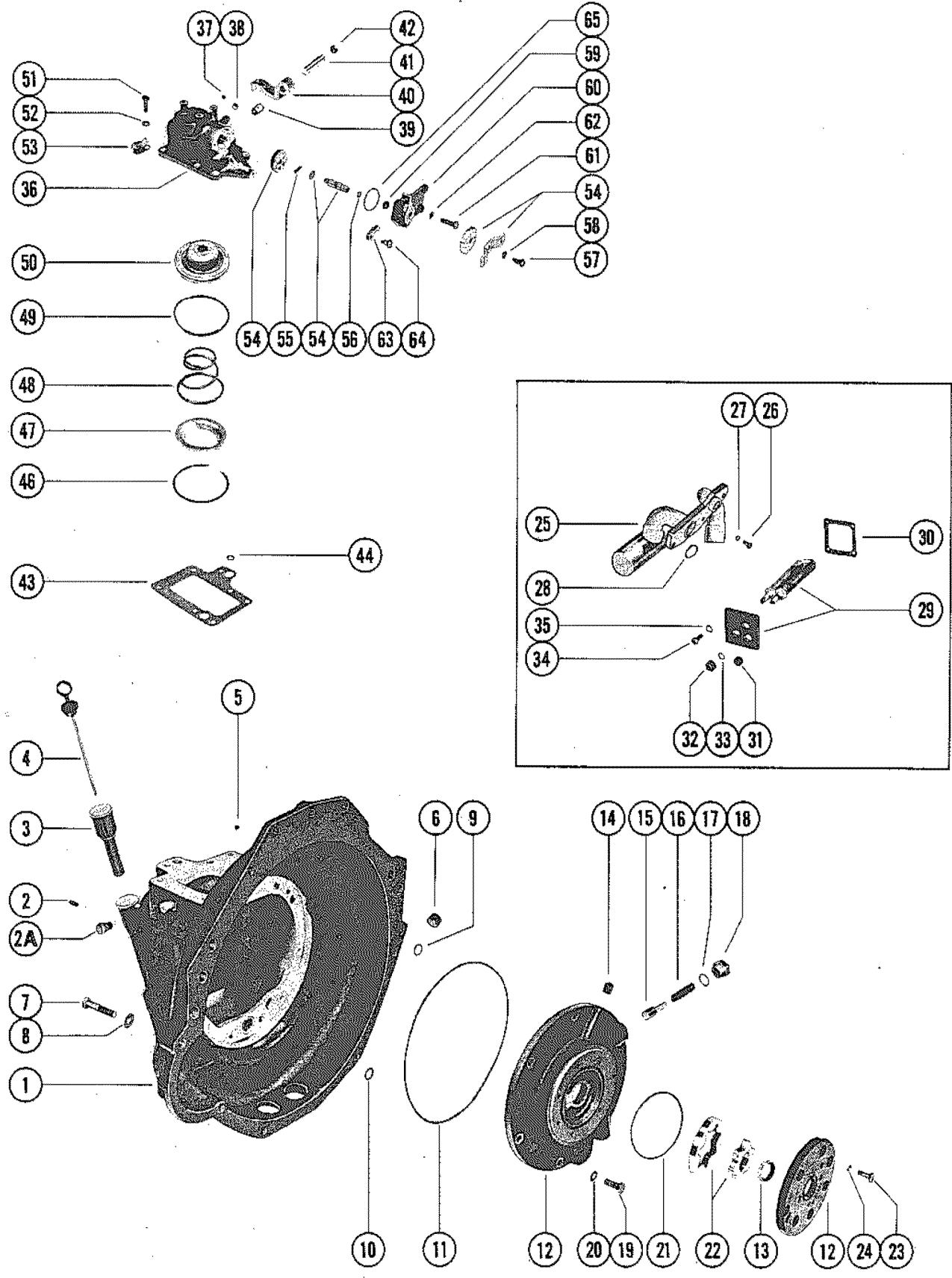
POWER STEERING COMPONENTS (STERN DRIVE)



POWER STEERING COMPONENTS (STERN DRIVE)

REF. NO.	PART NO.	SYM.	QTY.	DESCRIPTION
1	57-74270		1	V-BELT, STEERING PUMP
2	73873		1	PULLEY, STEERING PUMP
3	49684		1	BRACKET, PUMP MOUNTING
4	10-32132		1	SCREW, STEERING PUMP TO BRACKET (1 3/4")-NON METRIC
	10-40001203		1	SCREW, STEERING PUMP TO BRACKET (METRIC)
5	13-35048		1	LOCKWASHER, STEERING PUMP SCREW (NON METRIC)
	13-40024008		1	LOCKWASHER, STEERING PUMP SCREW (METRIC)
6	23-90523		1	SPACER, STEERING PUMP SCREW
7	10-47651		2	SCREW, BRACKET TO CYLINDER BLOCK (1 1/2")
8	13-32993		2	LOCKWASHER, BRACKET SCREW
9	12-30315		1	WASHER, BRACKET SCREW (FOR SLOT)
10	11-86317		1	NUT, STEERING PUMP STUD (NON METRIC)
	11-90517		1	NUT, STEERING PUMP STUD (METRIC)
11	77912		1	OIL COOLER
12	54-32781		2	CLAMP, OIL COOLER TO BRACKET
13	54-64324		2	CLAMP, HOSE ATTACHING TO OIL COOLER BRACKET
14	49748A1		1	BRACKET ASSEMBLY, OIL COOLER
15	49735		1	BRACKET, OIL COOLER MOUNT
16	10-20359		1	SCREW, OIL COOLER MOUNTING BRACKET
17	11-68411		1	NUT, MOUNT BRACKET SCREW
18	22-37760		2	ELBOW, OIL COOLER
19	10-48424		2	SCREW, BRACKET TO ENGINE
20	13-35048		2	LOCKWASHER, BRACKET SCREW
21	12-20572		2	WASHER, BRACKET SCREW
22	85011A1		1	BRACKET ASSEMBLY, PUMP SERIAL 05163434-09999999
23	10-26487		2	SCREW, PUMP BRK. TO MOUNTING BRK. SERIAL 05163434-09999999
	10-40001194		2	SCREW, PUMP BRK. TO MOUNTING BRK. (METRIC) SERIAL 05163434-09999999
24	13-40024008		2	LOCKWASHER, PUMP BRACKET SCREW (METRIC) SERIAL 05163434-09999999
25	23-90520		2	SPACER, PUMP ASSEMBLY BRACKET SCREW SERIAL 05163434-09999999

TRANSMISSION ASSEMBLY (STERN DRIVE) PAGE 1

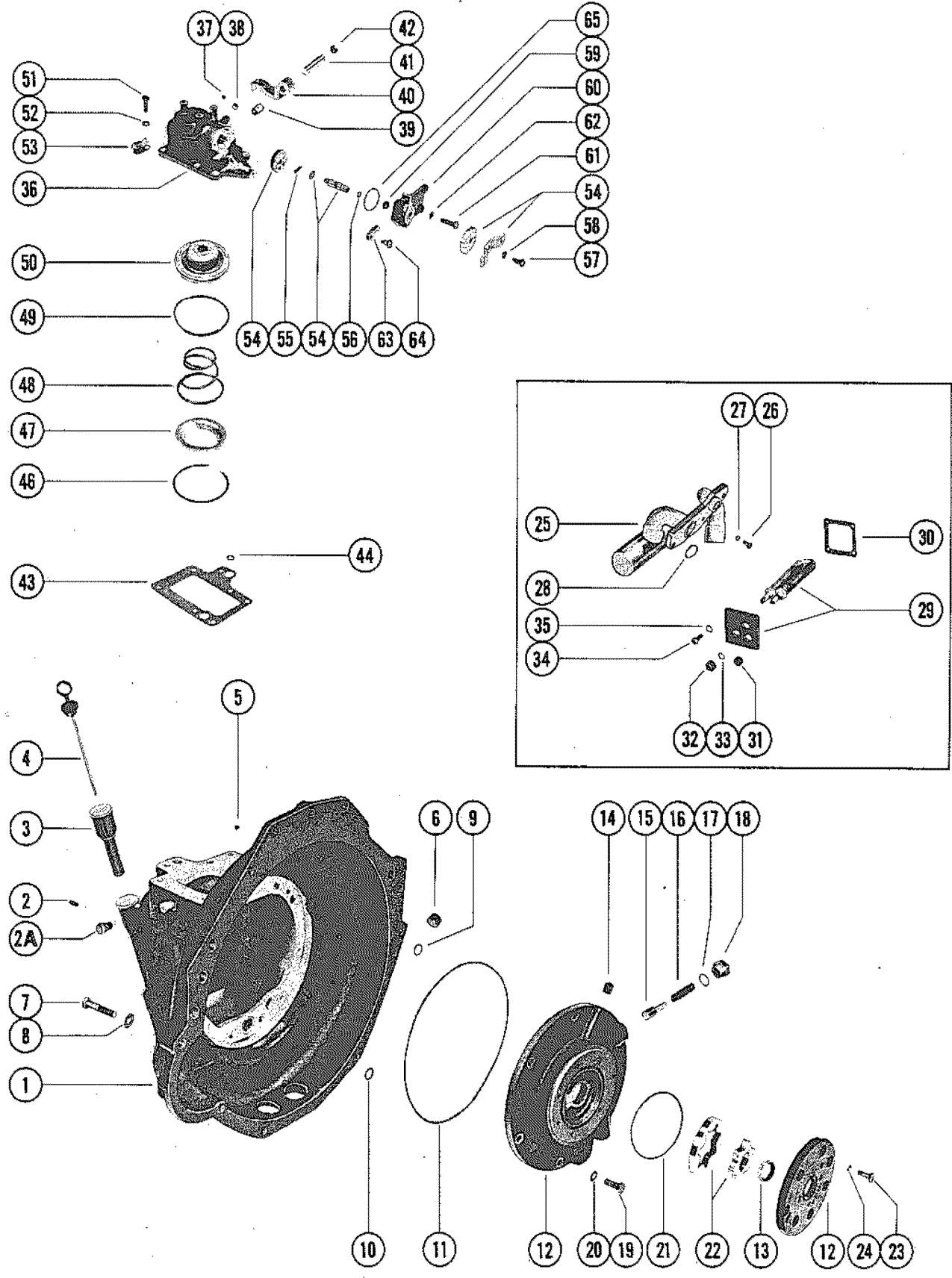


TRANSMISSION ASSEMBLY (STERN DRIVE) PAGE 1

REF. NO.	PART NO.	SYM.	QTY.	DESCRIPTION
-	76925A3		1	TRANSMISSION ASSEMBLY, COMPLETE (ELECTRIC SHIFT)
-	76925A6		1	TRANSMISSION ASSEMBLY, COMPLETE (MANUAL SHIFT)
1	76925A4		1	HOUSING ASSEMBLY, TRANSMISSION
2			1	PIN, SPRING - TRANSMISSION HOUSING
2A	22-47902		1	VENT, TRANSMISSION HOUSING
3	64090A1		1	TUBE ASSEMBLY, DIPSTICK
4	63037		1	DIPSTICK
5			1	BALL, TRANSMISSION HOUSING (1/4")
6	22-36373		1	PLUG, PIPE - TRANSMISSION HOUSING
7	10-34354		4	SCREW, TRANSMISSION HOUSING TO ENGINE (1 1/2") NOT INCLUDED WITH TRANSMISSION ASSEMBLY
	10-32132		2	SCREW, TRANSMISSION HOUSING TO ENGINE (1 3/4") NOT INCLUDED WITH TRANSMISSION ASSEMBLY
	10-35787		1	SCREW, TRANSMISSION HOUSING TO ENGINE (2 1/4") NOT INCLUDED WITH TRANSMISSION ASSEMBLY
8	13-35048		7	LOCKWAHSER, TRANSMISSION HOUSING SCREW
9			2	"O" RING, PUMP TO TRANSMISSION HOUSING (7/16" O.D.)
10			1	"O" RING, PUMP TO TRANSMISSION HOUSING (1" O.D.)
11			1	"O" RING, PUMP TO TRANSMISSION HOUSING (8 15/16" O.D.)
12	87813A1		1	PUMP ASSEMBLY
13			1	SEAL, PUMP COVER
14	22-20025		2	PLUG, PUMP
15	62722		1	PISTON, RELIEF VALVE
16	24-62790		1	SPRING, RELIVE VALVE PISTON
17			2	"O" RING, PUMP PLUG (3/4" O.D.)
18	19-62753		2	PLUG, PUMP
19	10-35386		5	SCREW, PUMP TO TRANSMISSION HOUSING (1")
	10-31984		2	SCREW, PUMP TO TRANSMISSION HOUSING (1 3/8")
20	12-45728		7	WASHER, SEALING - PUMP SCREW
21	25-62700		1	"O" RING, PUMP (3 7/16" O.D.)
22	87814A2		1	PUMP ASSEMBLY, GEROTOR (ALSO INCLUDES REF. #12)
23	10-60300		7	SCREW, PUMP ATTACHING (3/4")
24	13-26992		7	LOCKWASHER, PUMP SCREW
25	63127A1		1	FLANGE ASSEMBLY, OIL COOLER
26	10-66137		1	SCREW, FLANGE TO TRANSMISSION HOUSING (1/2")
27	13-26992		1	LOCKWASHER, FLANGE SCREW
28			1	"O" RING, FLANGE TO TRANSMISSION HOUSING (1" O.D.)
29	66515A2		1	COVER ASSEMBLY, OIL COOLER
30	27-62724		1	GASKET, OIL COOLER COVER
31	22-36373		1	PLUG, PIPE - COVER
32	11-21612		2	NUT, JAM - OIL COOLER
33			2	"O" RING, OIL COOLER JAM NUT (9/16" O.D.)
34	10-60300		4	SCREW, COVER TO TRANSMISSION HOUSING (3/4")

CONTINUED ON NEXT PAGE ➡

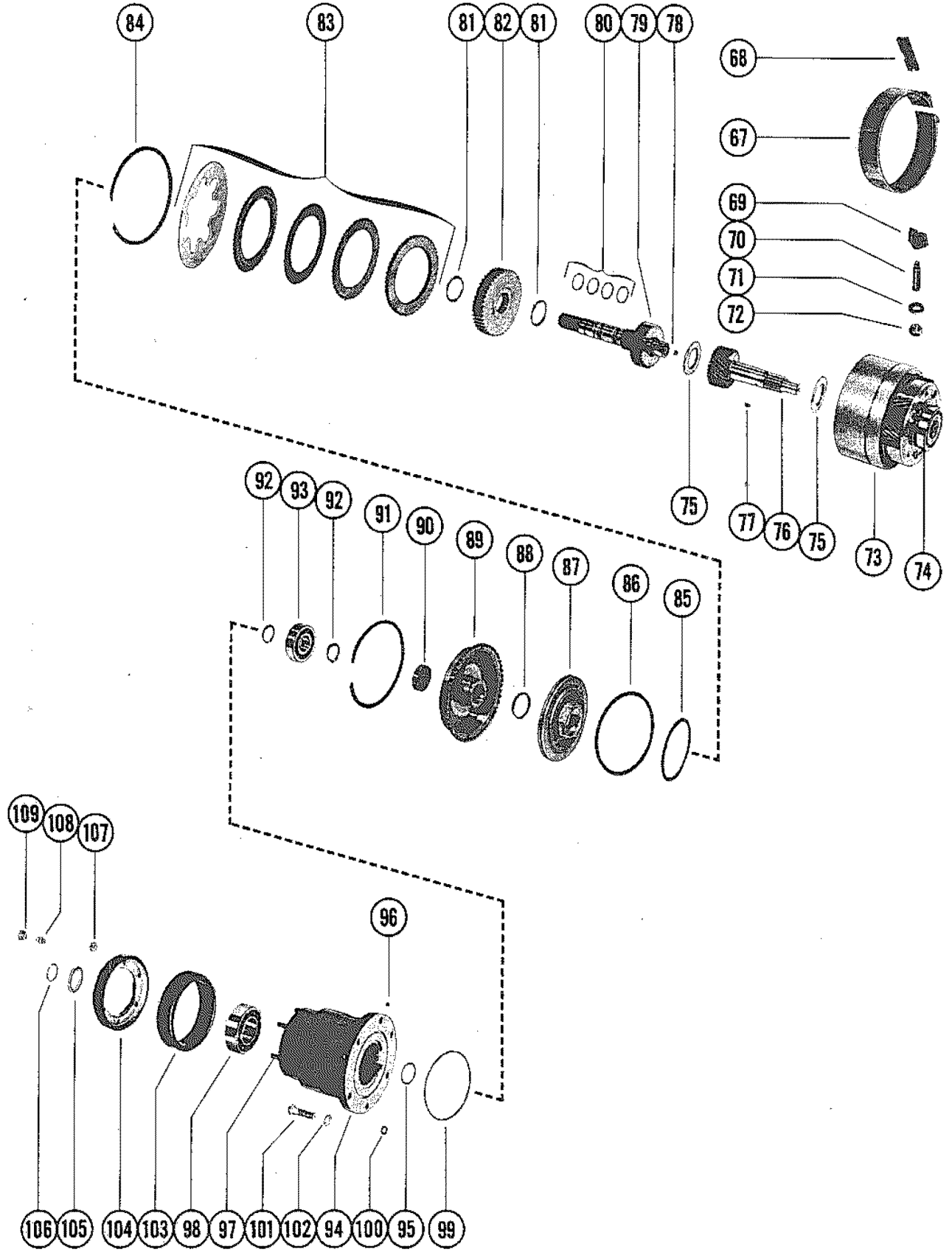
TRANSMISSION ASSEMBLY (STERN DRIVE) PAGE 1



TRANSMISSION ASSEMBLY (STERN DRIVE) PAGE 1

REF. NO.	PART NO.	SYM.	QTY.	DESCRIPTION
35	13-26992		4	LOCKWASHER, COVER SCREW
36	62740A2		1	CONTROL VALVE ASSEMBLY
37			1	BALL, CONTROL VALVE (1/4")
38	22-39072		1	PLUG, CONTROL VALVE
39	23-47797		1	BUSHING, REVERSE CLUTCH LEVER
40	62735		1	LEVER, REVERSE CLUTCH
41	17-62730		1	PIN, LEVER TO CONTROL VALVE
42			1	PLUG, EXPANSION - CONTROL VALVE (9/16")
43			1	GASKET, CONTROL VALVE
44			2	"O" RING, CONTROL VALVE (9/16 O.D.)
46			1	SNAP RING
47	62665		1	RETAINER, SPRING
48	24-62677		1	SPRING, SERVO PISTON
49			1	"O" RING, ACCUMULATOR PISTON
50	66981A2		1	PISTON, SERVO
51	10-35386		7	SCREW, CONTROL VALVE TO TRANSMISSION HOUSING (1")
52	13-39107		7	LOCKWASHER, CONTROL VALVE SCREW
53	54-47483		1	"J" CLAMP, CONTROL VALVE SCREW
54	65080A1		1	SHAFT ASSEMBLY, CONTROL VALVE
55	17-24800		1	ROLL PIN, CONTROL SHAFT
56			1	"O" RING, CONTROL SHAFT (7/16" O.D.)
57	10-32417		1	SCREW, LINK AND CAM TO CONTROL SHAFT (5/8")
58	13-26992		1	LOCKWASHER, LINK AND CAM SCREW
59	12-71836		1	WASHER, CONTROL VALVE SHAFT
60	62747		1	CAP, CONTROL VALVE
61	10-65027		2	>SCREW, CAP TO CONTROL VALVE (1")
62	13-26992		2	LOCKWASHER, CAM SCREW
63	62742		1	CAM FOLLOWER
64	10-53192		1	SCREW, CAM FOLLOWER TO CAP (1/2")
65			1	"O" RING, CONTROL VALVE CAP (1 9/16" O.D.)

TRANSMISSION ASSEMBLY (STERN DRIVE) PAGE 2

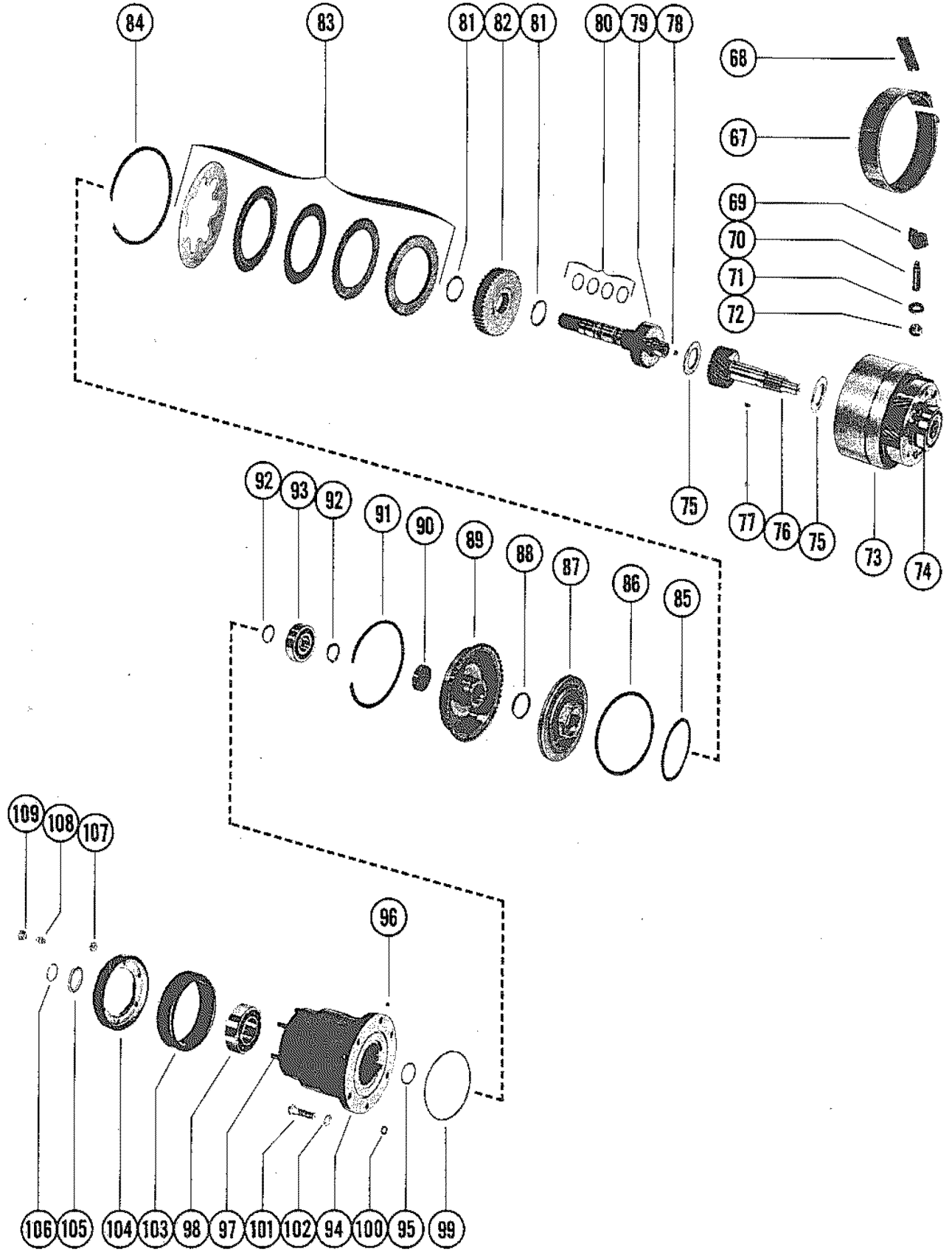


TRANSMISSION ASSEMBLY (STERN DRIVE) PAGE 2

REF. NO.	PART NO.	SYM.	QTY.	DESCRIPTION
-	76925A3		1	TRANSMISSION ASSEMBLY, COMPLETE (ELECTRIC SHIFT) SEE NOTE
-	76925A6		1	TRANSMISSION ASSEMBLY, COMPLETE (MANUAL SHIFT) SEE NOTE
67	62687		1	BAND, CLUTCH
68	62723		1	LINK, CLUTCH BAND
69	62666		1	STRUT, CLUTCH BAND ANCHOR
70	10-62679		1	SCREW, ADJUSTING - CLUTCH BAND
71	12-62781		1	WASHER, SEALING - ADJUSTING SCREW
72	11-21612		1	NUT, JAM - ADJUSTING SCREW
73	62694A3		1	PLANETARY AND CLUTCH DRUM ASSEMBLY
74	30-62699		1	BALL BEARING, PLANETARY AND CLUTCH DRUM
75	31-66723		2	BEARING, THRUST - INPUT SHAFT
76	77448A1		1	SHAFT ASSEMBLY, INPUT
77			1	KEY, INPUT SHAFT
78	22-39072		1	PLUG, PIPE - OUTPUT SHAFT
79	67993A2		1	SHAFT, OUTPUT
80			4	RING SEAL, OUTPUT SHAFT
81			2	SNAP RING, CLUTCH HUB TO OUTPUT SHAFT
82	62693		1	HUB, CLUTCH
83	62691A1		1	CLUTCH PLATE KIT
84			1	SNAP RING, CLUTCH PACK KIT RETAINING
85	62686		1	RING, PRESSURE - CLUTCH SPRING
86			1	SEAL, PISTON - OUTER
87	62667		1	PISTON, CLUTCH
88			1	"O" RING, PISTON - INNER
89	67282A1		1	HOUSING ASSEMBLY, PISTON
90	30-62697		1	BALL BEARING, PISTON HOUSING
91			1	SNAP RING, PISTON HOUSING TO OUTPUT SHAFT
92			2	>SNAP RING, BALL BEARING TO OUTPUT SHAFT
93	30-62698		1	BALL BEARING, OUTPUT SHAFT
94	62739A2		1	HOUSING ASSEMBLY, OUTPUT
95			1	SEAL, OUTPUT HOUSING
96			1	BALL, OUTPUT HOUSING (3/16")
97	16-32027		6	STUD, RETAINER TO OUTPUT HOUSING
98	30-62780		1	BALL BEARING, OUTPUT HOUSING
99			1	"O" RING, OUTPUT HSG./TRANSMISSION HSG. (3 7/16" O.D.)
100			1	"O" RING, OIL PRESSURE - OUTPUT HOUSING (7/16" O.D.)
101	10-53016		6	SCREW, OUTPUT HOUSING TO TRANSMISSION HOUSING (1 1/4")
102	13-39107		6	LOCKWASHER, OUTPUT HOUSING SCREW
103	62734		1	MOUNT, RUBBER - OUTPUT HOUSING (REAR)
104	65989		1	RETAINER, BALL BEARING

CONTINUED ON NEXT PAGE ➡

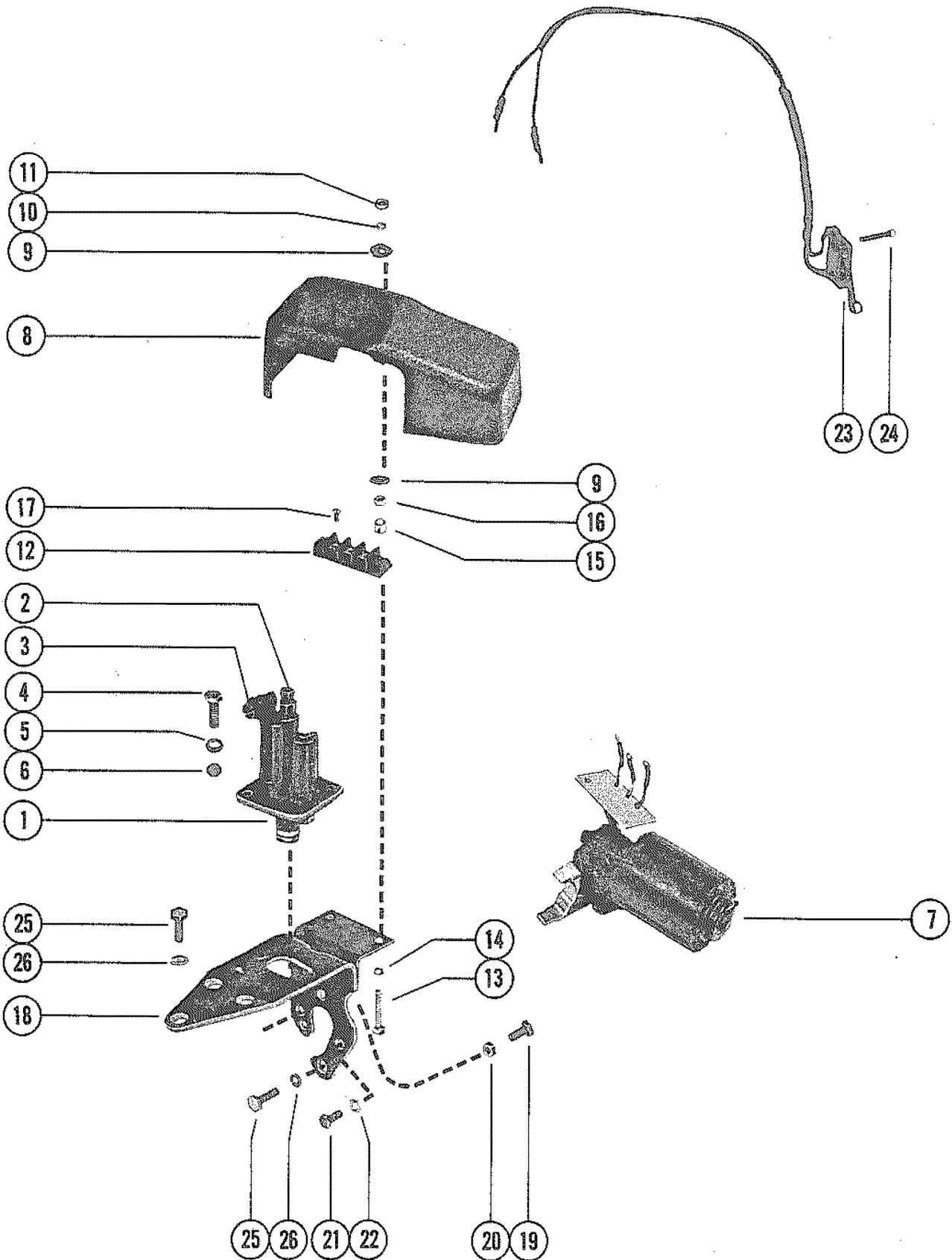
TRANSMISSION ASSEMBLY (STERN DRIVE) PAGE 2



TRANSMISSION ASSEMBLY (STERN DRIVE) PAGE 2

REF. NO.	PART NO.	SYM.	QTY.	DESCRIPTION
105	12-62684		1	WASHER, THRUST - OUPUT HOUSING
106			1	"O" RING, OUTPUT HOUSING (7/8" O.D.)
107	11-24652		6	NUT, RETAINER STUD
108	22-31345		1	FITTING, GREASE - RETAINER
109	29359		1	LUBRICAP, GREASE FITTING

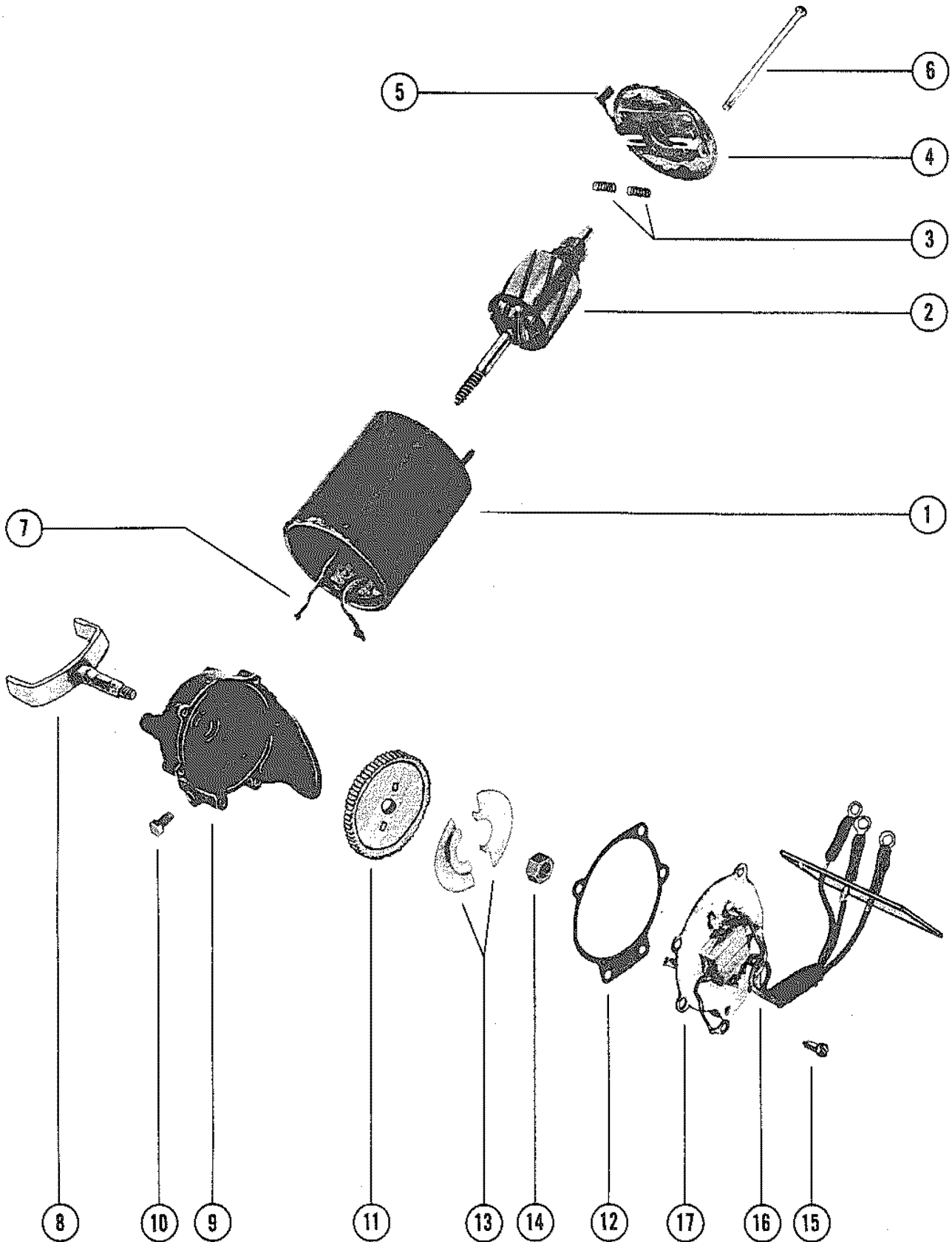
REVERSE LOCK VALVE AND SHIFT ACTUATOR (STERN DRIVE)



REVERSE LOCK VALVE AND SHIFT ACTUATOR (STERN DRIVE)

REF. NO.	PART NO.	SYM.	QTY.	DESCRIPTION
1	54951A2		1	REVERSE LOCK VALVE ASSEMBLY
2	33-48166		1	FITTING, STRAIGHT - REVERSE LOCK ASSEMBLY
3	22-52666		1	ELBOW, REVERSE LOCK VALVE
4	10-22485		2	SCREW, REVERSE LOCK VALVE TO CONTROL VALVE (3/4")
5	12-20583		2	WASHER, REVERSE LOCK VALVE
6	11-46887		2	NUT, REVERSE LOCK VALVE SCREW
7	69392		1	SHIFT ACTUATOR ASSEMBLY (SEE PAGE 48 FOR BREAKDOWN)
8	63038		1	COVER, SHIFT ACTUATOR
9	12-22887		4	WASHER, TERMINAL BLOCK AND COVER SCREW
10	13-26996		2	LOCKWASHER, TERMINAL BLOCK AND COVER SCREW
11	11-20645		2	NUT, TERMINAL BLOCK AND COVER SCREW
12	86-62993		1	TERMINAL BLOCK, MOUNTING BRACKET
13	10-24233		2	SCREW, TERMINAL BLOCK AND COVER TO BRACKET (1 3/8")
14	13-26996		2	LOCKWASHER, TERMINAL BLOCK AND COVER SCREW
15	23-61526		2	SPACER, TERMINAL BLOCK AND COVER SCREW
16	11-24656		2	NUT, TERMINAL BLOCK AND COVER SCREW
17	10-36046		3	SCREW, HARNESS TO TERMINAL BLOCK (1/4")
18	62745A1		1	BRACKET ASSEMBLY, MOUNTING - SHIFT ACTUATOR
19	10-69028		1	SCREW, STOP (3/4")
20	11-46887		1	NUT, STOP SCREW
21	10-34290		3	SCREW, SHIFT ACTUATOR TO MOUNTING BRACKET (5/8")
22	13-26992		3	LOCKWASHER, SHIFT ACTUATOR SCREW
23	39670A23		1	SWITCH ASSEMBLY, CUT-OUT
24	10-30902		2	SCREW, SWITCH TO CONTROL VALVE CAP (3/4")
25	10-25299		4	SCREW, MOUNTING BRACKET TO CONTROL VALVE (3/4")
26	13-39107		4	LOCKWASHER, CONTROL VALVE BRACKET SCREW

SHIFT ACTUATOR ASSEMBLY (STERN DRIVE)

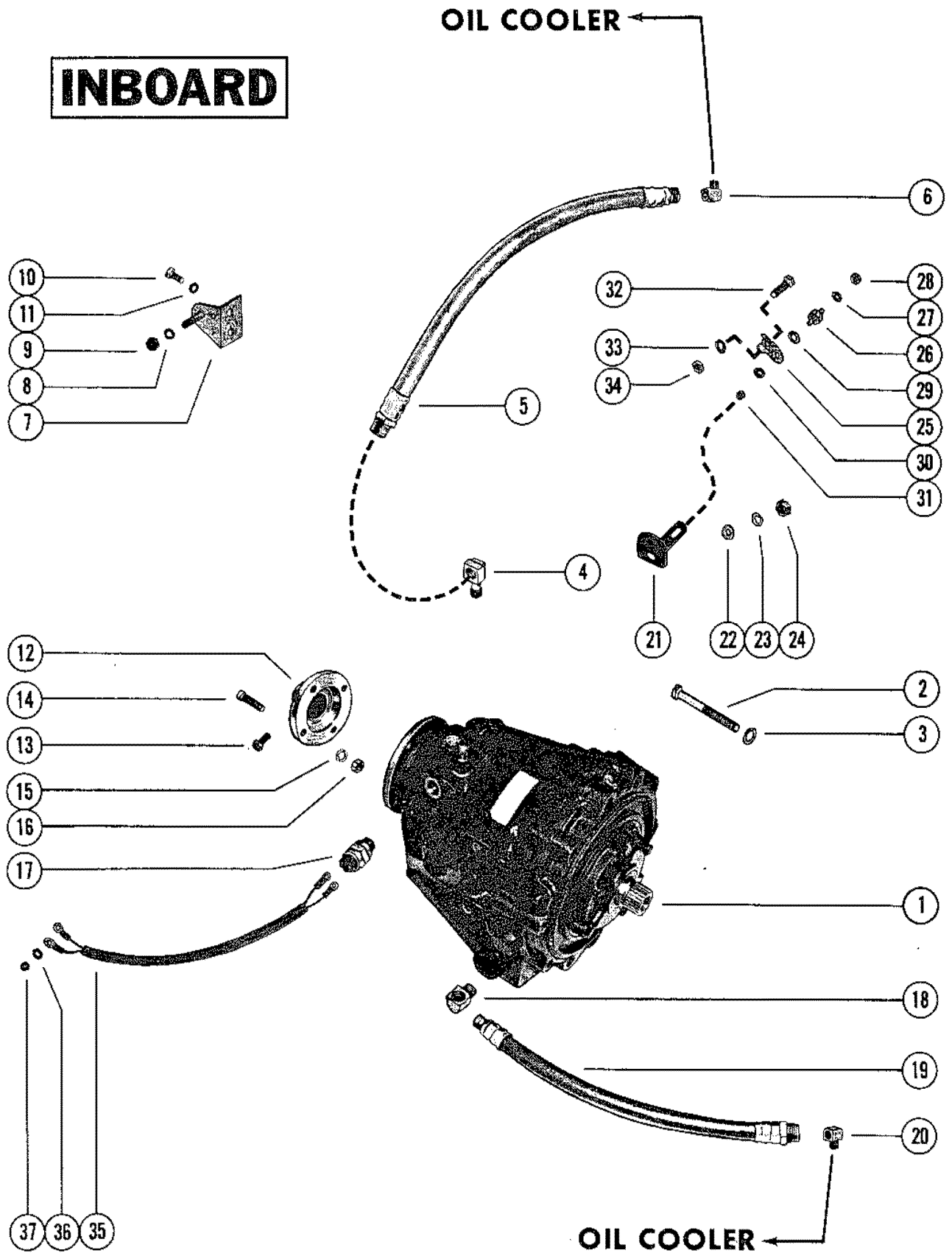


SHIFT ACTUATOR ASSEMBLY (STERN DRIVE)

REF. NO.	PART NO.	SYM.	QTY.	DESCRIPTION
1	69392		1	SHIFT ACTUATOR ASSEMBLY, COMPLETE (SEE NOTE BELOW)
2	392-4949		1	ARMATURE
3	392-4960		1	SPRING SET, BRUSH
4	392-4955		1	HEAD ASSEMBLY, COMMUTATOR END
5	392-4956		1	BRUSH SET
6	392-4962		2	THRU BOLT
7	392-5928		1	FIELD COIL ASSEMBLY
8	392-4951		1	CRANK ARM ASSEMBLY
9	392-4957		1	HEAD ASSEMBLY, DRIVE END
10	392-4959		1	SCREW, AND DISC PACKAGE
11	392-4952		1	GEAR AND GASKET PACKAGE
12	392-4953		1	GASKET, COVER
13	392-4958		2	PLATE, CAM
14	11-20890		1	NUT, CRANK ARM
15	10-47220		4	SCREW, COVER ATTACHING (3/8")
16	392-5699		1	HARNESS ASSEMBLY (3 WIRE LEAD)
17	392-6375		1	SWITCH PLATE (INCLUDES 1 PIECE OF REF. NO. 12)

TRANSMISSION ASSEMBLY (INBOARD)

INBOARD



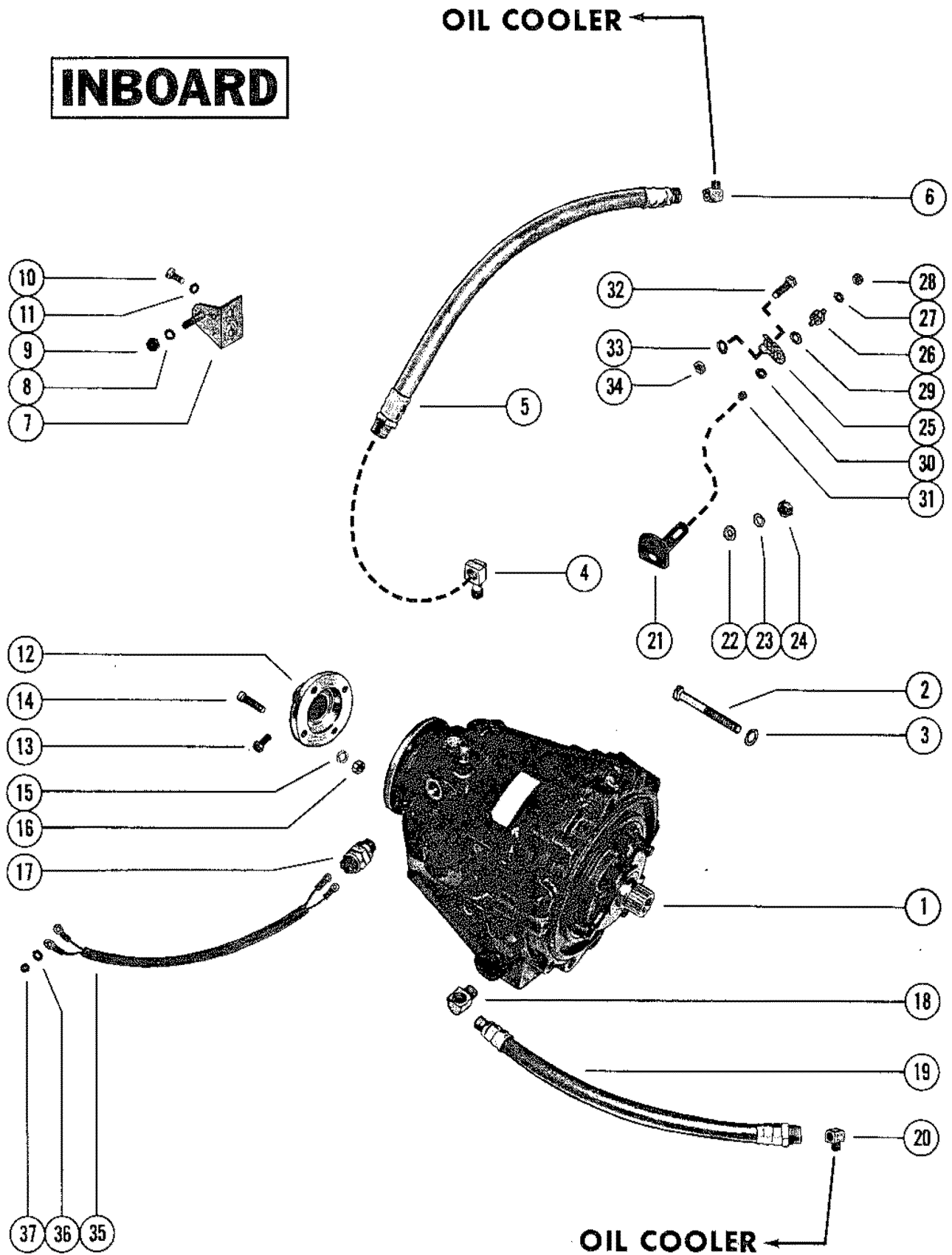
TRANSMISSION ASSEMBLY (INBOARD)

REF. NO.	PART NO.	SYM.	QTY.	DESCRIPTION
1	47810		1	TRANSMISSION (DIRECT DRIVE) - 72 SERIES
	47811		1	TRANSMISSION (1.523:1 REDUCTION) - 72 SERIES
	47812		1	TRANSMISSION (1.909:1 REDUCTION) - 72 SERIES
	47813		1	TRANSMISSION (2.57:1 REDUCTION) - 72 SERIES
	47814		1	TRANSMISSION (2.909:1 REDUCTION) - 72 SERIES
2	10-60179		6	SCREW, TRANSMISSION TO ENGINE (3 1/2")
3	13-32993		6	LOCKWASHER, TRANSMISSION SCREW
4	22-63824		1	ELBOW, HOSE TO TRANSMISSION (90)
5	32-47516--6		1	HOSE, TRANSMISSION TO OIL COOLER (30")
6	22-47629		1	ELBOW, HOSE TO OIL COOLER (90)
7	63815A2		1	BRACKET ASSEMBLY, SHIFT CABLE
8	12-56681		1	WASHER, SHIFT CABLE STUD
9	11-46438		1	NUT, SHIFT CABLE STUD
10	10-35585		2	SCREW, BRACKET TO FLYWHEEL HOUSING (3/4")
11	13-26992		2	LOCKWASHER, BRACKET SCREW
12	48386A1		OPT	FLANGE ASSEMBLY (1")
	48387A1		OPT	FLANGE ASSEMBLY (1 1/8")
	48388A1		OPT	FLANGE ASSEMBLY (1 1/4")
	48389A1		OPT	FLANGE ASSEMBLY (1 3/8")
	48390A1		OPT	FLANGE ASSEMBLY (1 1/2")
	57295A1		OPT	FLANGE ASSEMBLY (1 3/4")
	57296A1		OPT	FLANGE ASSEMBLY (2")
13	10-60171		2	SCREW, FLANGE TO PROPELLER SHAFT (1 1/4") - SEE NOTE BELOW
	10-60170		2	SCREW, FLANGE TO PROPELLOR SHAFT (1") - SEE NOTE BELOW
	10-60169		2	SCREW, FLANGE TO PROPELLER SHAFT (3/4") - SEE NOTE BELOW
14	10-60106		4	SCREW, TRANSMISSION FLANGE TO PROPELLER FLANGE (1 1/4")
15	13-32993		4	LOCKWASHER, FLANGE SCREW
16	11-22024		4	NUT, FLANGE SCREW
17	47613		1	SWITCH, NRUTRAL SAFETY
18	22-63835		1	ELBOW, HOSE TO TRANSMISSION (45)
19	32-47516--2		1	HOSE, OIL COOLER TO TRANSMISSION (16 3/4")
20	22-47629		1	ELBOW, HOSE TO OIL COOLER (90)
21	48515		1	LEVER, SHIFT - TRANSMISSION
22	12-20722		1	WASHER, SHIFT LEVER TO TRANSMISSION
23	13-26993		1	LOCKWASHER, SHIFT LEVER TO TRANSMISSION
24	11-20083		1	NUT, SHIFT LEVER TO TRANSMISSION
25	48652		1	ADAPTOR, SHIFT CABLE TO SHIFT LEVER
26	16-48680		1	STUD, SHIFT CABLE ADAPTOR TO SHIFT LEVER (1 1/4")
27	12-20533		1	WASHER, ADAPTOR STUD
28	11-46887		1	NUT, ADAPTOR STUD

CONTINUED ON NEXT PAGE ➡

TRANSMISSION ASSEMBLY (INBOARD)

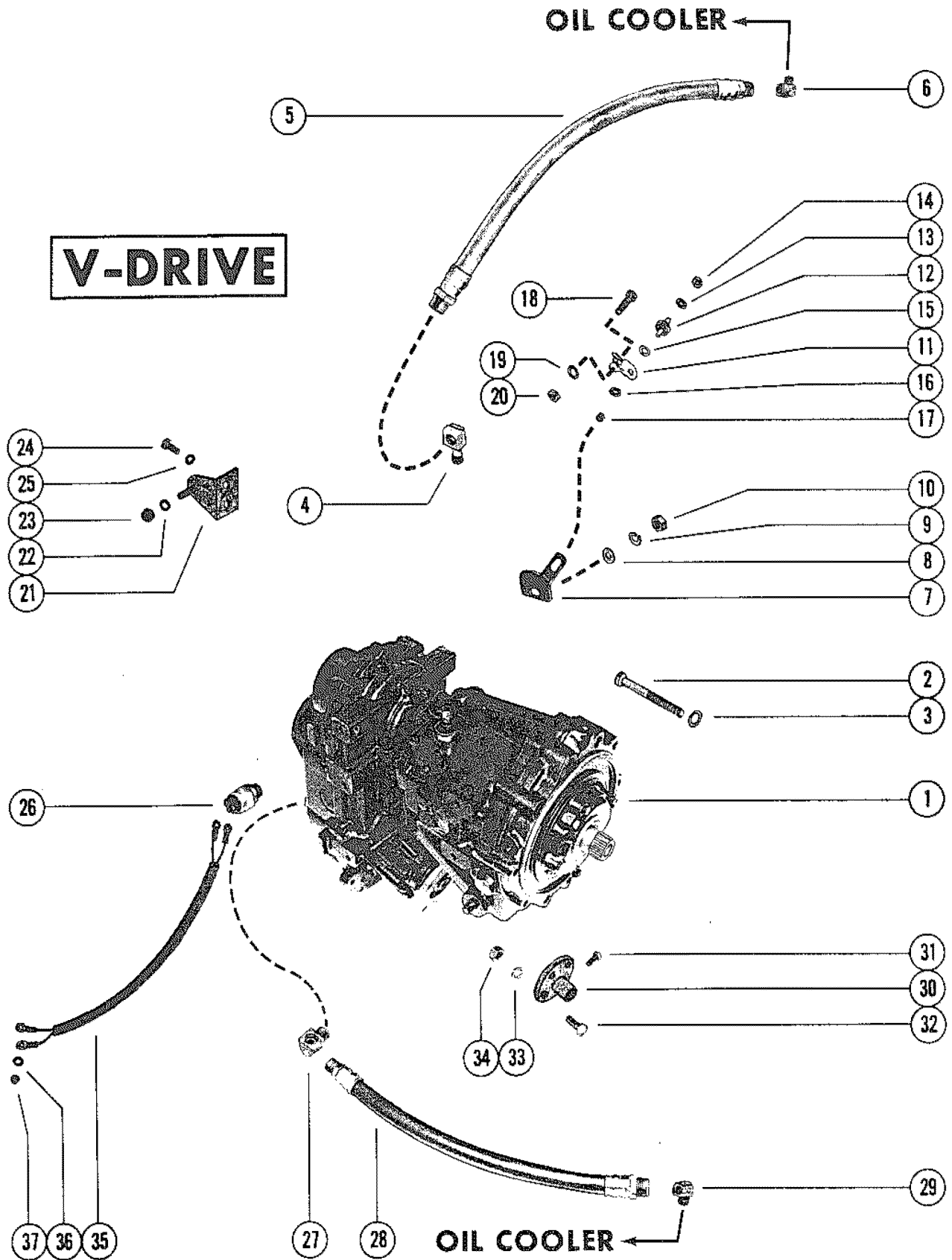
INBOARD



TRANSMISSION ASSEMBLY (INBOARD)

REF. NO.	PART NO.	SYM.	QTY.	DESCRIPTION
29	13-29402		1	WAVE WASHER, ADAP. STUD
30	12-56681		1	WASHER, ADAPTOR STUD
31	11-46438		1	NUT, ADAPTOR STUD
32	10-20639		1	SCREW, CABLE TO ADAPTOR
33	12-22753		1	WASHER, CABLE SCREW
34	11-46793		1	NUT, SHIFT CABLE SCREW
35	84-73125A1		2	HARNESS, SAFETY SWITCH
36	13-26996		2	LOCKWASHER, HARNESS ATT.
37	11-68219		2	NUT, HARNESS ATTACHING

TRANSMISSION ASSEMBLY (V-DRIVE)

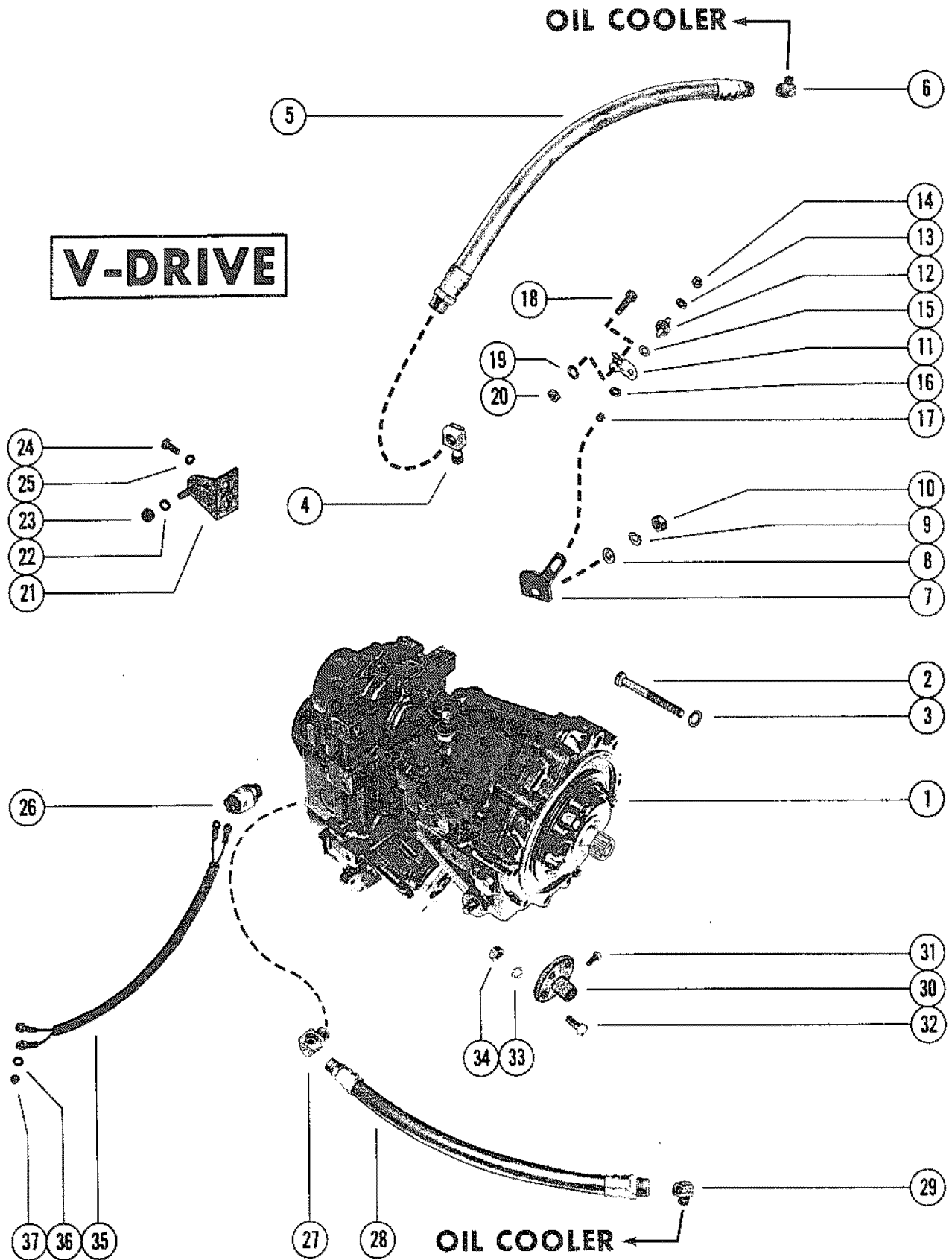


TRANSMISSION ASSEMBLY (V-DRIVE)

REF. NO.	PART NO.	SYM.	QTY.	DESCRIPTION
1	60958		1	TRANSMISSION (DIRECT DRIVE)
	60959		1	TRANSMISSION (1.51:1 REDUCTION)
	60960		1	TRANSMISSION (1.99:1 REDUCTION)
	60961		1	TRANSMISSION (2.49:1 REDUCTION)
	60962		1	TRANSMISSION (3.14:1 REDUCTION)
2	10-60179		6	SCREW, TRANSMISSION TO ENGINE (3 1/2")
3	13-32993		6	LOCKWASHER, TRANSMISSION SCREW
4	22-63824		1	ELBOW, HOSE TO TRANSMISSION (90)
5	32-47516--9		1	HOSE, TRANSMISSION TO OIL COOLER (37")
6	22-47629		1	ELBOW, HOSE TO OIL COOLER (90)
7	48515		1	LEVER, SHIFT - TRANSMISSION
8	12-20722		1	WASHER, SHIFT LEVER TO TRANSMISSION
9	13-26993		1	LOCKWASHER, SHIFT LEVER TO TRANSMISSION
10	11-20083		1	NUT, SHIFT LEVER TO TRANSMISSION
11	48652		1	ADAPTOR, SHIFT CABLE TO SHIFT LEVER
12	16-48680		1	STUD, SHIFT CABLE ADAPTOR TO SHIFT LEVER (1 1/4")
13	12-20533		1	WASHER, SHIFT CABLE ADAPTOR STUD
14	11-46887		1	NUT, SHIFT CABLE ADAPTOR STUD (1/4-28)
15	13-29402		1	WAVE WASHER, SHIFT CABLE ADAPTOR STUD
16	12-56681		1	WASHER, SHIFT CABLE ADAPTOR STUD
17	11-46438		1	NUT, SHIFT CABLE ADAPTOR STUD (10-32)
18	10-20639		1	SCREW, SHIFT CABLE TO ADAPTOR (1 1/8")
19	12-22753		1	WASHER, SHIFT CABLE SCREW
20	11-46793		1	NUT, SHIFT CABLE SCREW (5/16-24)
21	63815A2		1	BRACKET ASSEMBLY, SHIFT CABLE
22	12-56681		1	WASHER, SHIFT CABLE STUD
23	11-46438		1	NUT, SHIFT CABLE STUD
24	10-35585		2	SCREW, BRACKET TO FLYWHEEL HSG. (3/4")
25	13-26992		2	LOCKWASHER, BRACKET SCREW
26	47613		1	SWITCH, NEUTRAL SAFETY
27	22-47629		1	ELBOW, HOSE TO TRANSMISSION (90)
28	32-47516--9		1	HOSE, COOLER TO TRANSMISSION (37")
29	22-47629		1	ELBOW, HOSE TO OIL COOLER (90)
30	48386A1		OPT	FLANGE ASSEMBLY (1")
	48387A1		OPT	FLANGE ASSEMBLY (1 1/8")
	48388A1		OPT	FLANGE ASSEMBLY (1 1/4")
	48389A1		OPT	FLANGE ASSEMBLY (1 3/8")
	48390A1		OPT	FLANGE ASSEMBLY (1 1/2")
	57296A1		OPT	FLANGE ASSEMBLY (1 3/4")
	57296A1		OPT	FLANGE ASSEMBLY (2")
31	10-60171		2	SCREW, FLANGE TO PROPELLER SHAFT (1 1/4") - SEE NOTE BELOW
	10-60170		2	SCREW, FLANGE TO PROPELLER SHAFT (1") - SEE NOTE BELOW

CONTINUED ON NEXT PAGE ➡

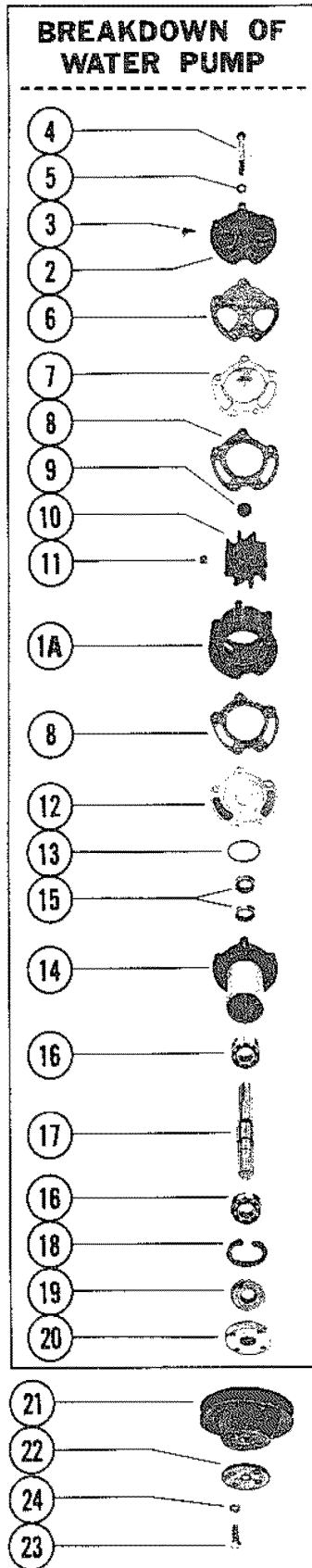
TRANSMISSION ASSEMBLY (V-DRIVE)



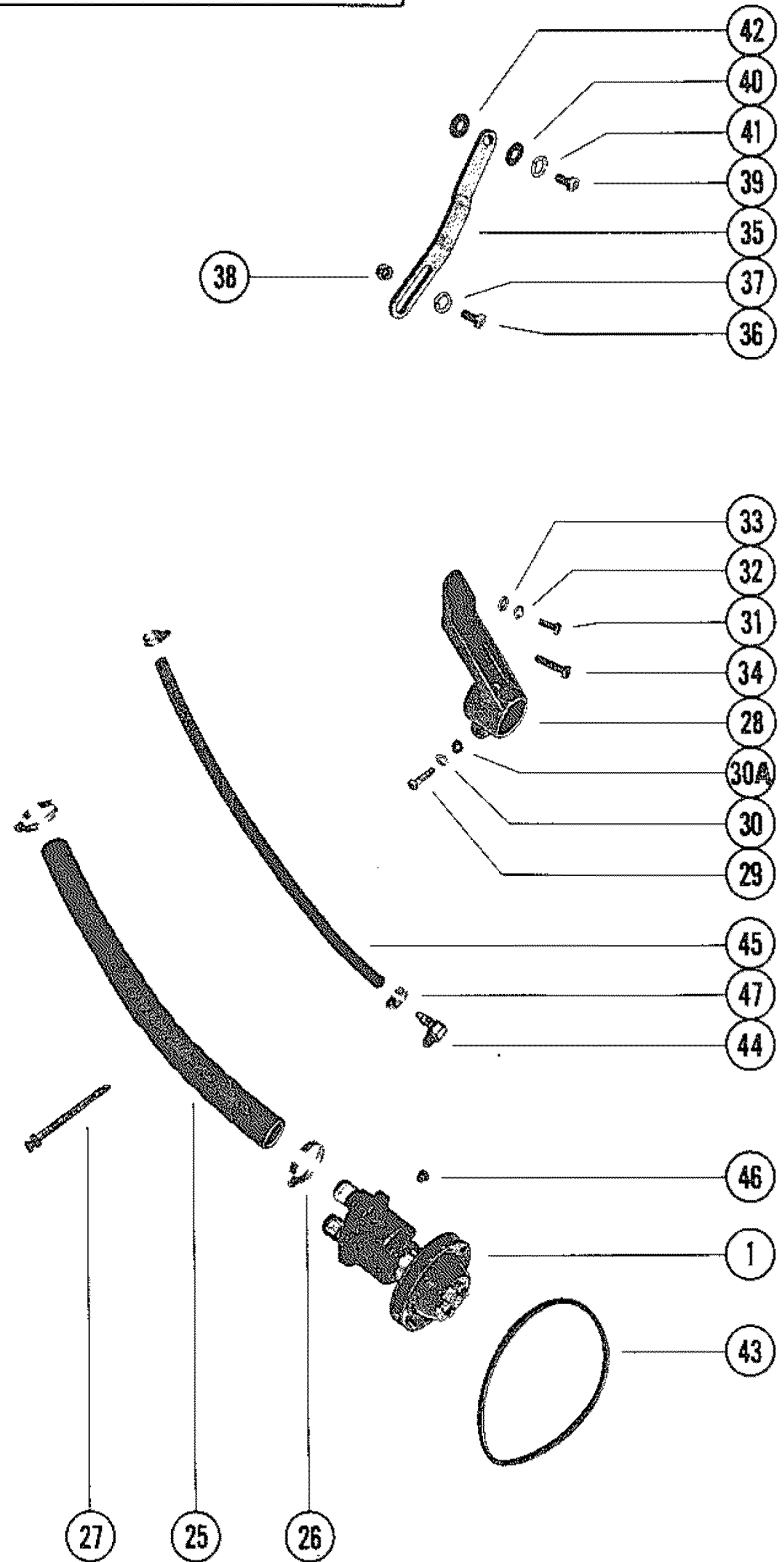
TRANSMISSION ASSEMBLY (V-DRIVE)

REF. NO.	PART NO.	SYM.	QTY.	DESCRIPTION
31	10-60169		2	SCREW, FLANGE TO PROPELLER SHAFT (3/4") - SEE NOTE BELOW
32	10-60106		4	SCREW, TRANSMISSION FLANGE TO PROPELLER FLANGE (1 1/4")
33	13-32993		4	LOCKWASHER, FLANGE SCREW
34	11-22024		4	NUT, FLANGE SCREW
35	84-73125A1		1	HARNESS ASSEMBLY, NEUTRAL SAFETY SWITCH
36	13-26996		1	LOCKWASHER, HARNESS ATTACHING
37	11-68219		1	NUT, HARNESS ATTACHING
-	27-52457		1	GASKET, CARBURETOR
-	10-28701		1	SCREW, CARBURETOR MOUNTING (3 1/2")
-	10-52743		1	SCREW, CARBURETOR MOUNTING (3 3/4")
-	16-54343		2	STUD, CARBURETOR MOUNTING (1 3/8")
-	77931		1	ROD, CHOKE

WATER PUMP ASSEMBLY



PLASTIC BODY

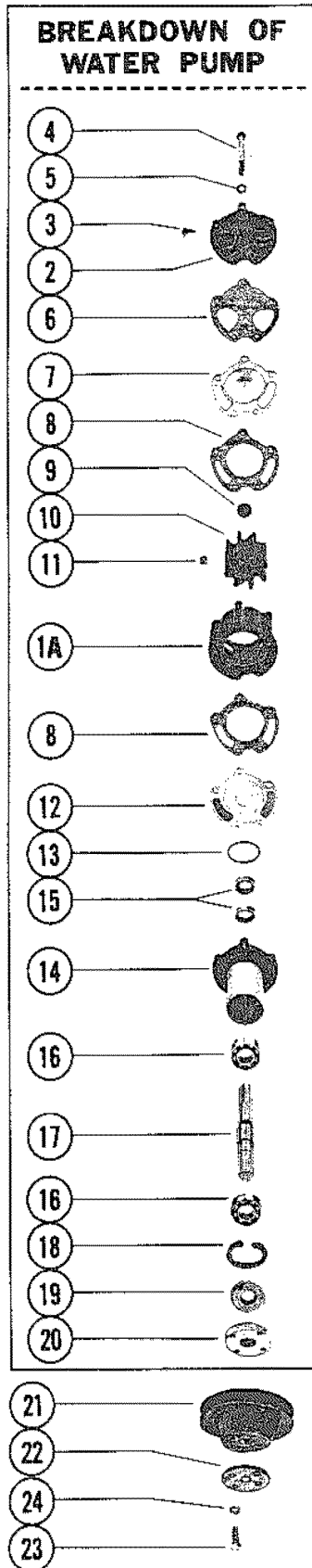


WATER PUMP ASSEMBLY

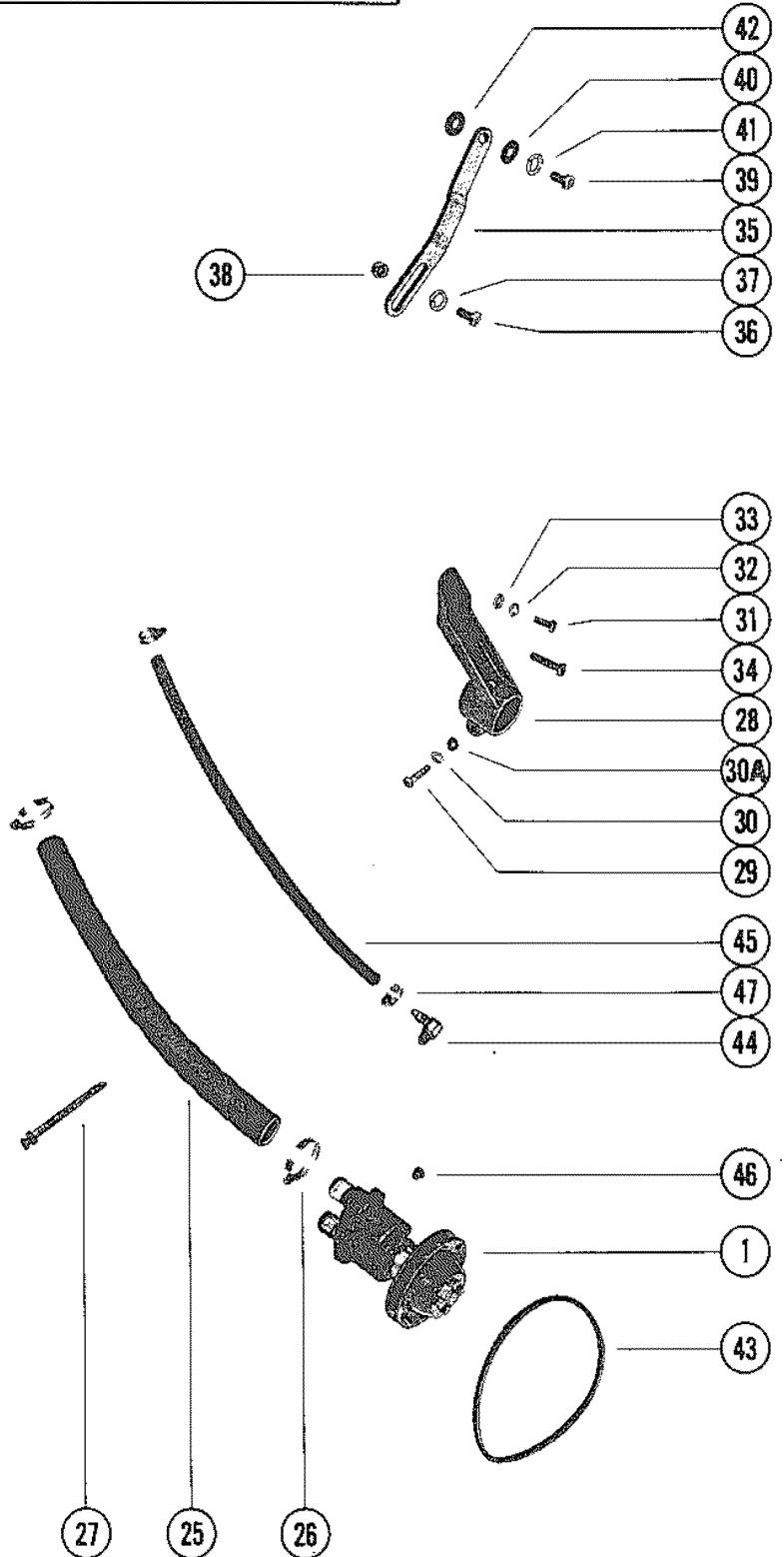
REF. NO.	PART NO.	SYM.	QTY.	DESCRIPTION
1	46-72774A32		1	WATER PUMP ASSEMBLY
1A	46-72774		1	BODY, WATER PUMP (PLASTIC)
2	87631		1	COVER, WATER PUMP
3	10-28642		4	SCREW, WATER PUMP SLEEVE
4	10-63328		5	SCREW, COVER TO BODY
5	12-20084		5	WASHER, COVER TO BODY SCREW
6	27-94915		1	GAASKET, COVER TO OUTER WEAR PLATE
7	94916		1	WEAR PLATE
8	27-94914		2	GASKET, BODY TO WEAR PLATE
9	19-59504		1	PLUG, IMPELLER
10	47-59362A1		1	IMPELLER ASSEMBLY
11	26-56662		1	KEY, IMPELLER DRIVE
12	94576		1	WEAR PLATE
13	25-37340		AR	"O" RING, PUMP HOUSING
	25-94288		AR	QUAD SEAL, PUMP HOUSING
14	46-94913A1		1	PUMP HOUSING
15	26-90562		2	OIL SEAL, WATER PUMP SHAFT
16	30-72961		2	BALL BEARING, WATER PUMP SHAFT
17	59501		1	SHAFT, WATER PUMP
18	53-23720		1	RING, SNAP - BALL BEARING RETAINER
19	26-72785		1	OIL SEAL, WATER PUMP SHAFT
20	47530		1	HUB, WATER PUMP PULLEY
21	73798		1	PULLEY, WATER PUMP
22	58265		1	CLAMPING RING, PUMP PULLEY
23	10-47277		4	SCREW, PULLEY TO WATER PUMP (3/4")
24	13-39107		4	LOCKWASHER, WATER PUMP PULLEY SCREW
25	32-72837		1	HOSE, WATER PUMP TO OIL COOLER - STERN DRIVE (WITH POWER STEERING)
26	54-32780		2	CLAMP, WATER PUMP HOSE - STERN DRIVE (WITH POWER STEERING)
27	62711		1	STA-STRAP, HOSE ATTACHING - STERN DRIVE (WITH POWER STEERING)
28	47489A1		1	BRACKET, WATER PUMP
29	10-47461		1	SCREW, WATER PUMP BRACKET ATTACHING (1")
30	13-35048		1	LOCKWASHER, WATER PUMP BRACKET SCREW
30A	12-79643		1	WASHER, WATER PUMP BRACKET - FOR SLOT
	23-57369		OPT	SPACER, WATER PUMP BRACKET - FOR SLOT (5/16" THICK)
31	10-48948		1	SCREW, WATER PUMP BRACKET TO ENGINE
32	13-32993		1	LOCKWASHER, WATER PUMP BRACKET SCREW
33	12-30315		1	WASHER, WATER PUMP BRACKET SCREW
34	10-34354		1	SCREW, WATER PUMP BRACKET
35	77640		1	BRACE, WATER PUMP ADJUSTING (WITH POWER STEERING) - STERN DRIVE

CONTINUED ON NEXT PAGE ➡

WATER PUMP ASSEMBLY



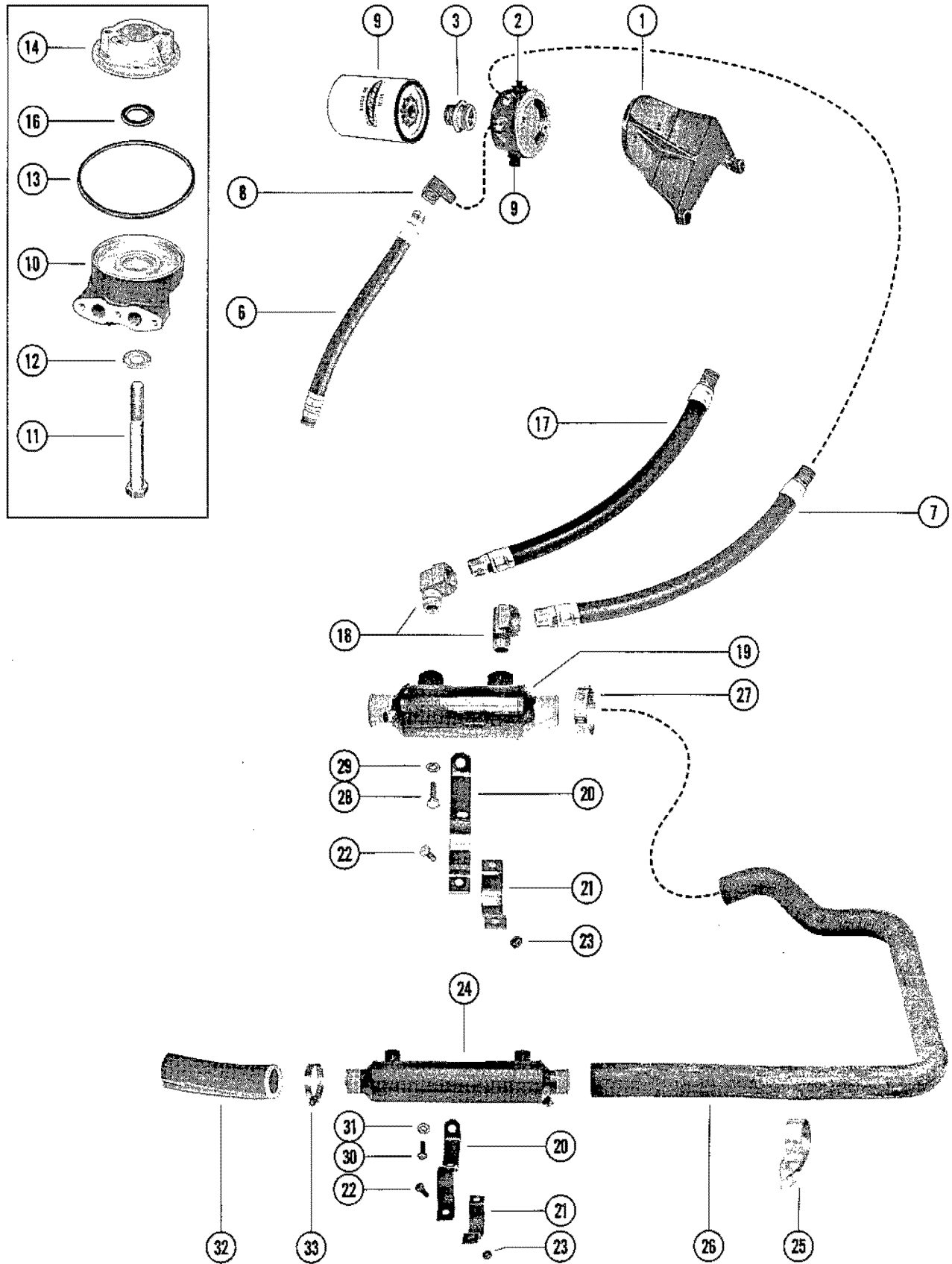
PLASTIC BODY



WATER PUMP ASSEMBLY

REF. NO.	PART NO.	SYM.	QTY.	DESCRIPTION
35	64177		1	BRACE, WATER PUMP ADJUSTING (WITHOUT POWER STEERING) - STERN DRIVE
36	10-35786		1	SCREW, BRACE TO BRACKET - STERN DRIVE
37	13-37459		1	LOCKWASHER, BRACE SCREW - STERN DRIVE
38	11-24883		1	NUT, BRACE TO BRACKET SCREW - STERN DRIVE
39	10-34353		1	SCREW, BRACE TO ENGINE (1") - WITH POWER STEERING - STERN DRIVE
	10-47461		1	SCREW, BRACE TO ENGINE (WITHOUT POWER STEERING) - STERN DRIVE
40	12-34714		1	WASHER, BRACE TO ENGINE SCREW - STERN DRIVE
41	13-35048		1	LOCKWASHER, BRACE TO ENGINE SCREW - STERN DRIVE
42	23-72057		1	SPACER, BRACE TO ENGINE SCREW (WITH POWER STEERING) - STERN DRIVE
35	47544		1	BRACE, WATER PUMP ADJUSTING - INBOARD
36	10-35786		1	SCREW, BRACE TO WATER PUMP BRACKET - INBOARD
37	13-37459		1	LOCKWASHER, BRACE TO BRACKET SCRE - INBOARD
38	11-24883		1	NUT, BRACE TO BRACKET SCREW - INBOARD
39	10-34354		1	SCREW, BRACE TO ENGINE (1") - INBOARD
40	12-20572		1	WASHER, BRACE TO ENGINE SCREW - INBOARD
41	13-35048		1	LOCKWASHER, BRACE TO ENGINE SCREW - INBOARD
43	57-74271		1	BELT, WATER PUMP
44	22-62910		1	FITTING, WATER PUMP BODY - STERN DRIVE
45	32-62987--2		1	HOSE, WATER PUMP TO TRANSMISSION COOLER (34 1/2") - STERN DRIVE
46	22-32802		1	PLUG, PIPE - WATER PUMP BODY (INBOARD)
47	54-32523		1	CLAMP, HOSE ATTACHING

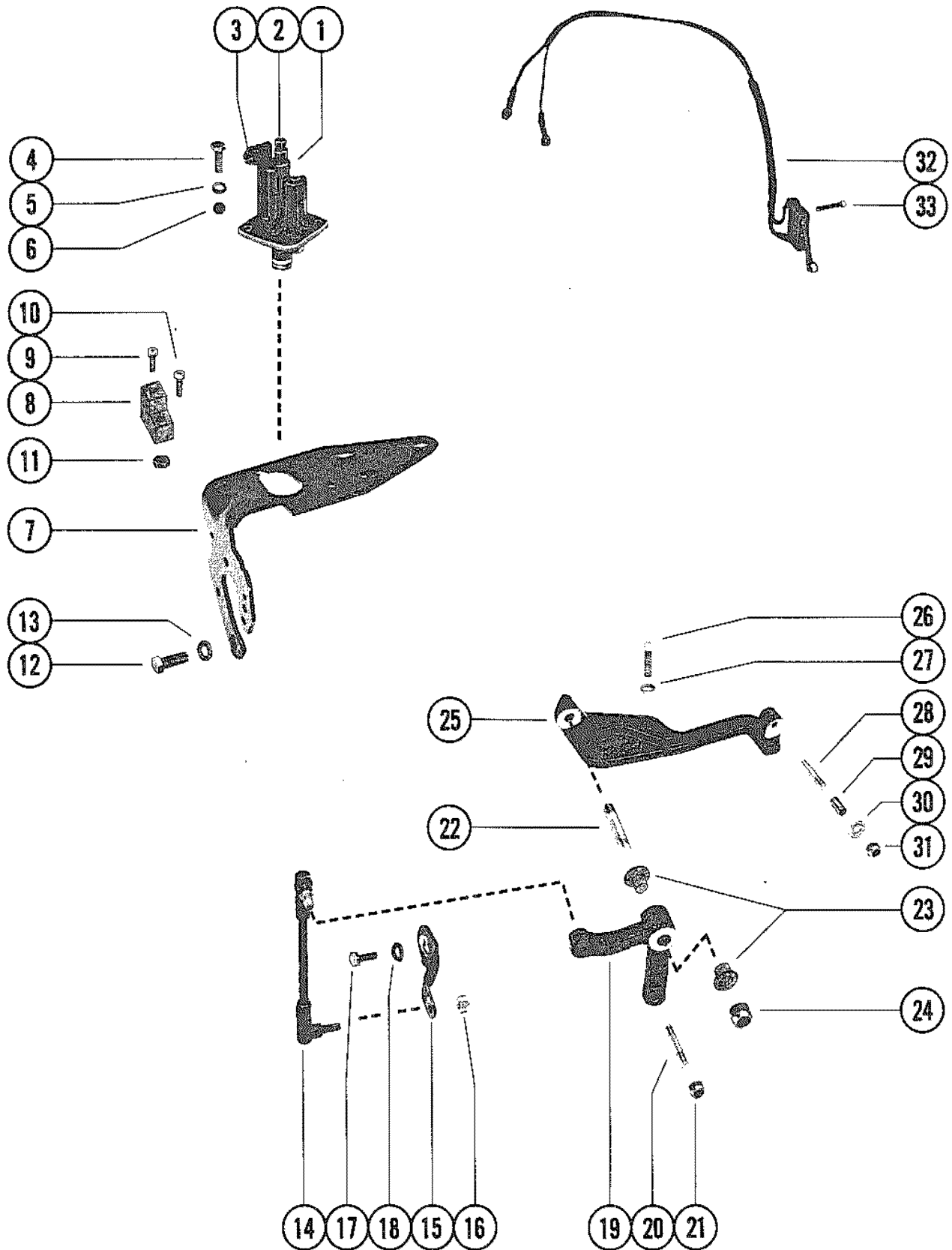
REMOTE OIL FILTER ASSEMBLY



REMOTE OIL FILTER ASSEMBLY

REF. NO.	PART NO.	SYM.	QTY.	DESCRIPTION
1	78610A1		1	ADAPTOR, OIL FILTER
2	22-36382		1	PLUG, PIPE - OIL FILTER ADAPTOR (1/4-18)
3	32720		1	FITTING, OIL FILTER TO ADAPTOR
6	32-86217		1	HOSE, OIL INLET (24")
7	32-48944-10		1	HOSE, OIL OUTLET (34")
8	22-71923		1	ELBOW, OIL ADAPTOR (45)
9	52731		1	OIL FILTER
10	86029		1	ADAPTOR, OIL
11	10-86402		1	SCREW, OIL ADAPTOR TO CYLINDER BLOCK (2 1/2")
	10-86403		1	SCREW, OIL ADAPTOR TO CYLINDER BLOCK (3 1/2")
12	12-86401		2	WASHER, OIL ADAPTOR SCREW
13	26-73522		1	SEAL, OIL ADAPTOR
14	54785		1	ADAPTOR ASSEMBLY, OIL FILTER BY-PASS
16	25-33756		1	RING, SEALING - ADAPTOR AND VALVE
17	32-48944--7		1	HOSE, OIL COOLER TO ENGINE (11")
18	22-63825		2	ELBOW, HOSE TO OIL COOLER (90)
19	63831		1	OIL COOLER (5")
20	63820--1		2	BRACKET, OIL COOLER CLAMPING (LONG)
21	56328		2	BRACKET, OIL COOLER CLAMPING (SHORT)
22	10-69028		4	SCREW, CLAMPING BRACKET (3/4")
23	11-30506		4	NUT, CLAMPING BRACKET SCREW
24	63832--1		1	OIL COOLER (9")
	63832--2		1	OIL COOLER (12") - V-DRIVE ONLY
25	54-64489		1	CLAMP, HOSE ATTACHING
26	32-63829		1	HOSE, MOLDED - OIL COOLER TO OIL COOLER
27	54-32780		2	CLAMP, MOLDED HOSE ATTACHING
28	10-47277		1	SCREW, OIL COOLER BRACKET TO ENGINE
29	12-26825		1	WASHER, OIL COOLER BRACKET SCREW
30	10-47258		1	SCREW, OIL COOLER BRACKET TO ENGINE
31	13-26993		1	LOCKWASHER, OIL COOLER BRACKET SCREW
32	32-54862		1	HOSE, PUMP TO COOLER (8")
33	54-32780		2	CLAMP, HOSE ATTACHING

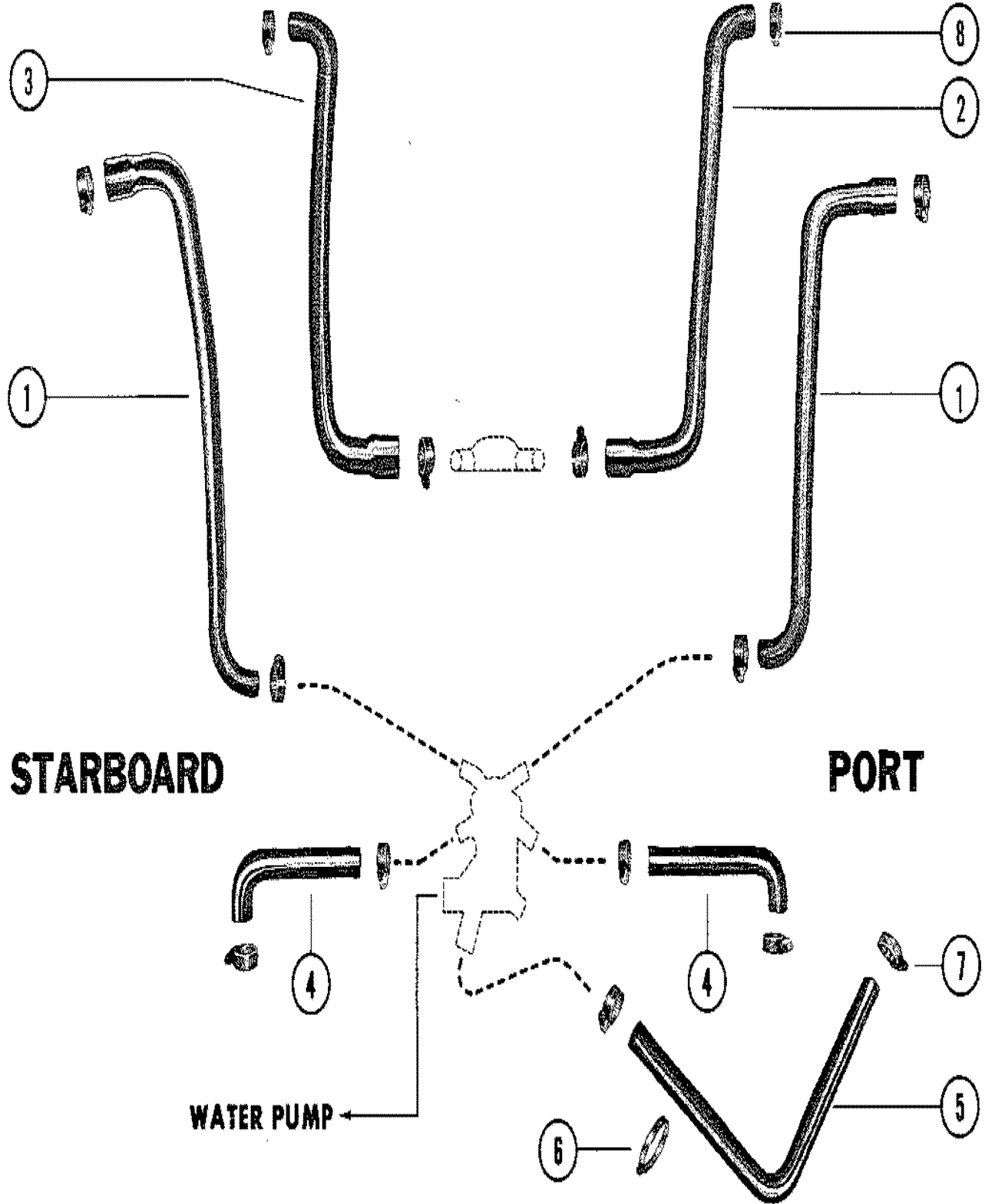
REVERSE LOCK VALVE (STERN DRIVE - MANUAL SHIFT)



REVERSE LOCK VALVE (STERN DRIVE - MANUAL SHIFT)

REF. NO.	PART NO.	SYM.	QTY.	DESCRIPTION
1	54951A2		1	REVERSE LOCK VALVE ASSEMBLY
2	22-48166		1	FITTING, STRAIGHT - REVERSE LOCK VALVE
3	22-52666		1	ELBOW, REVERSE LOCK VALVE
4	10-22485		2	SCREW, REVERSE LOCK VALVE TO BRACKET (3/4")
5	12-20583		2	WASHER, REVERSE LOCK VALVE SCREW
6	11-46887		2	NUT, REVERSE LOCK VALVE SCREW
7	85821A1		1	BRACKET, REVERSE LOCK VALVE
8	45915		1	TERMINAL BLOCK, CUT-OUT SWITCH LEADS
9	10-62568		1	SCREW, TERMINAL BLOCK (3/8")
10	10-37655		1	SCREW, TERMINAL BLOCK (1/2")
11	11-29488		1	NUT, TERMINAL BLOCK SCREW
12	10-25299		1	SCREW, BRACKET ATTACHING
13	13-39107		1	LOCKWASHER, BRACKET SCREW
14	85820A1		1	SHIFT ROD ASSEMBLY
15	85787		1	SHIFT ARM. TRANSMISSION
16	11-25168		1	NUT, SHIFT ROD STUD
17	10-32417		1	SCREW, ARM ATTACHING
18	13-26992		1	LOCKWASHER, SHIFT ARM SSCREW
19	85788		1	SHIFT CRANK
20	16-35004		1	STUD, SHIFT CRANK
21	11-35888		1	NUT, SHIFT CRANK STUD
22	16-87163		1	STUD, SHIFT BRACKET TO SHIFT CRANK
23	23-26954		2	BUSHING, SHIFT BRACKET STUD - NYLINER
24	11-34932		1	NUT, SHIFT BRACKET TO SHIFT CRANK STUD
25	85789		1	BRACKET, SHIFT
26	10-53576		3	SCREW, SHIFT BRACKET ATTACHING
27	13-39107		3	LOCKWASHER, SHIFT BRACKET SCREW
28	16-72809		1	STUD, SHIFT BRACKET
29	23-31866		1	BUSHING, SHIFT BRACKET STUD
30	12-39143		1	WASHER, SHIFT BRACKET STUD
31	11-35888		1	NUT, SHIFT BRACKET STUD
32	39670A23		1	SWITCH, CUT-OUT - TRANSMISSION
33	10-30902		2	SCREW, CUT-OUT SWITCH (3/4")

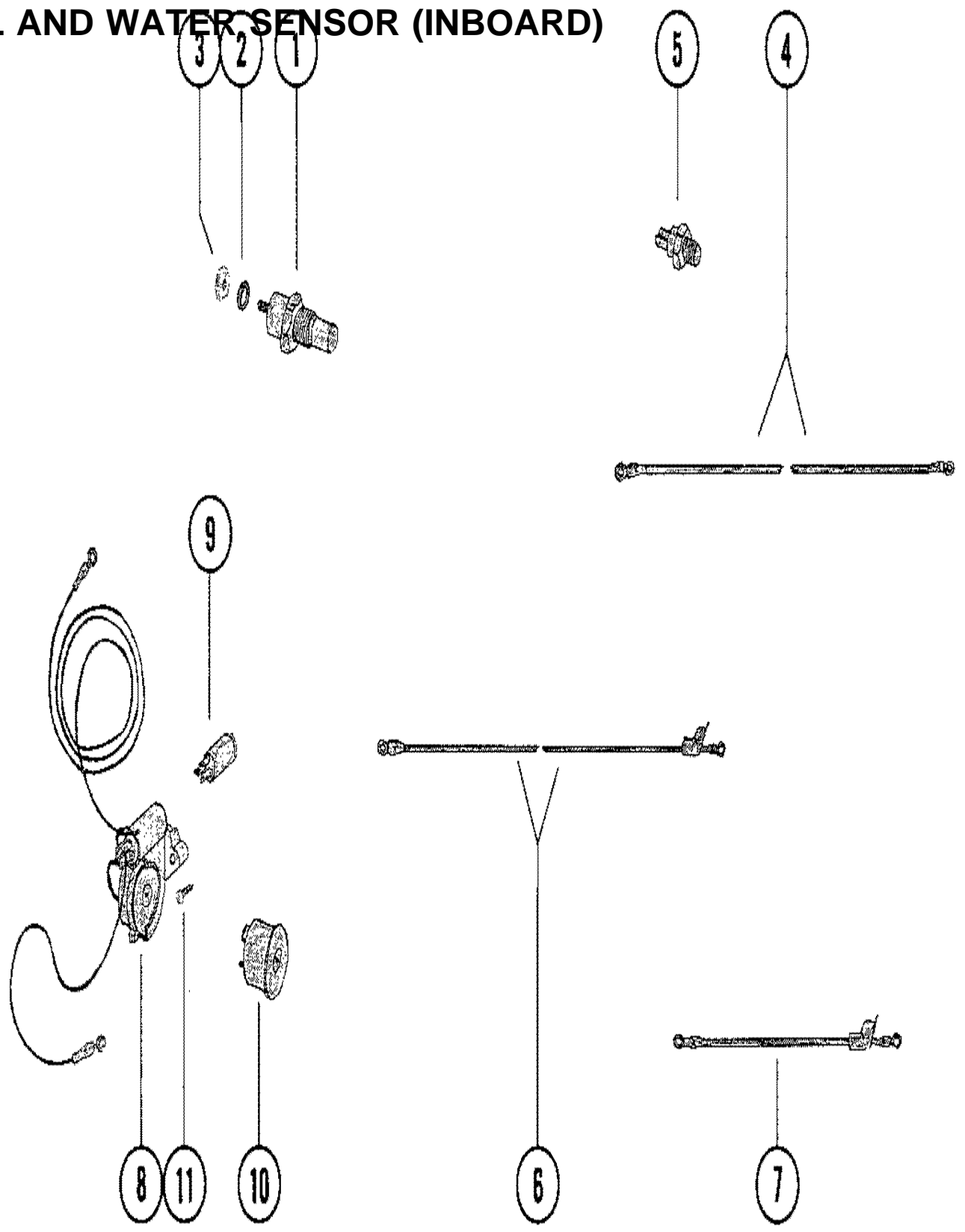
WATER DISTRIBUTION HOSES



WATER DISTRIBUTION HOSES

REF. NO.	PART NO.	SYM.	QTY.	DESCRIPTION
1	32-60089		2	HOSE, THERMOSTAT COVER TO EXHAUST ELBOW
2	32-73820		1	HOSE, THERMOSTAT HSG. TO REAR END CAP (PORT)
3	32-73821		1	HOSE, THERMOSTAT HSG. TO REAR END CAP (STBD.)
4	32-48132		2	HOSE, FRONT END CAP TO THERMOSTAT HSG.
5	2-64346		1	HOSE, OIL COOLER TO METERING HSG. - INBOARD
6	54-47715		1	CLIP, HOSE TO CYLINDER BLOCK - INBOARD
7	54-32780		2	CLAMP, HOSE TO COOLER AND METERING HOUSING - INBOARD
8	54-32780		12	CLAMP, HOSE ATTACHING

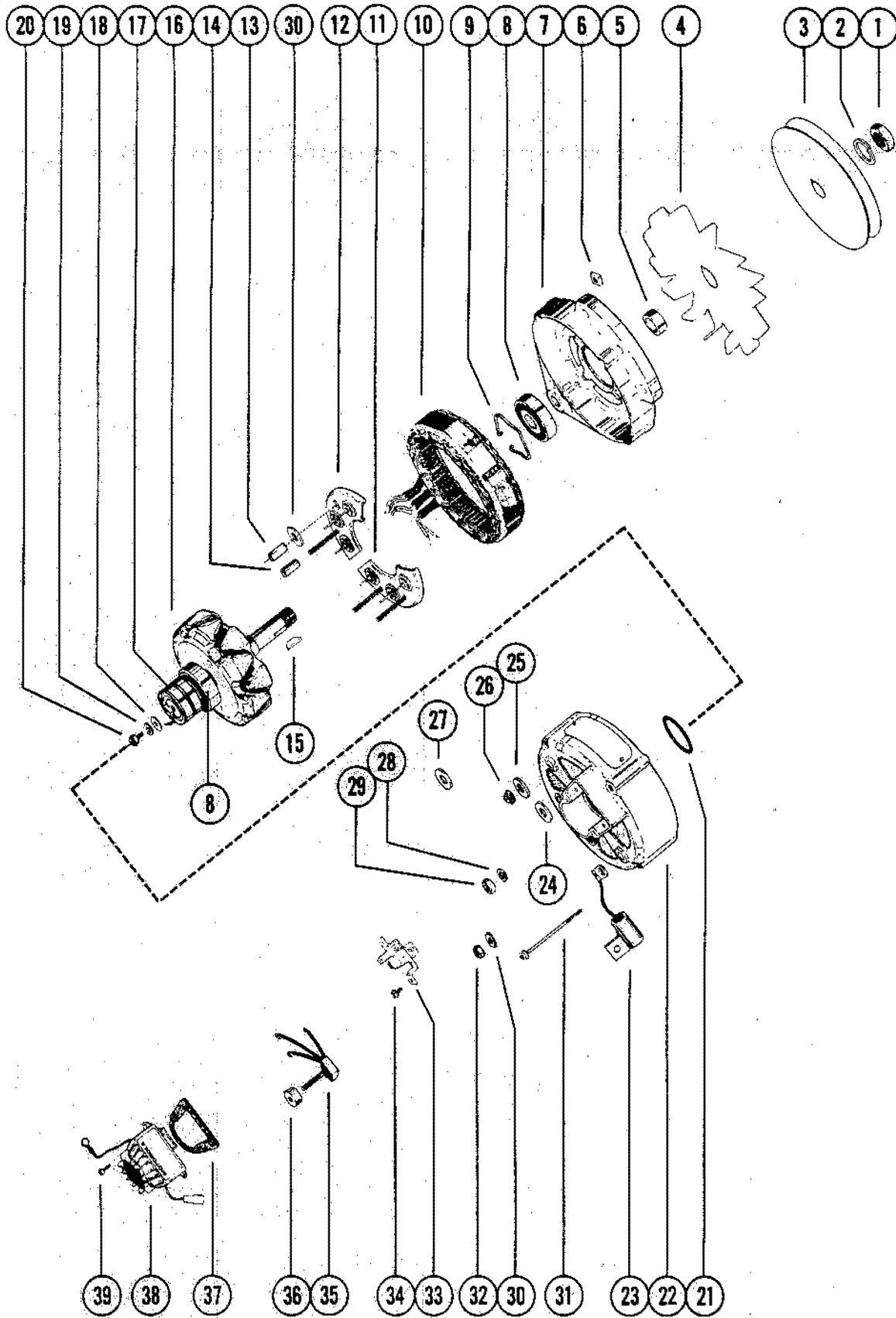
OIL AND WATER SENSOR (INBOARD)



OIL AND WATER SENSOR (INBOARD)

REF. NO.	PART NO.	SYM.	QTY.	DESCRIPTION
1	48952		1	SWITCH, WATER TEMPERATURE
2	13-26996		1	LOCKWASHER, TEMPERATURE SWITCH (#10)
3	11-45076		1	NUT, TEMPERATURE SWITCH (10-32)
4	84-86044A2		1	WIRE ASSEMBLY, TAN/BLUE (36")
5	87-88031		1	SWITCH, OIL TEMPERATURE
6	84-88032A1		1	WIRE ASSEMBLY, TAN/BLUE (20")
7	84-86322A8		1	WIRE ASSEMBLY, BLACK (8")
8	86047A1		1	BUZZER HOUSING ASSEMBLY
9	86045		1	TIMER, TEMPERATURE BUZZER
10	68878		1	HORN
11	10-69013		2	SCREW, HORN ATTACHING

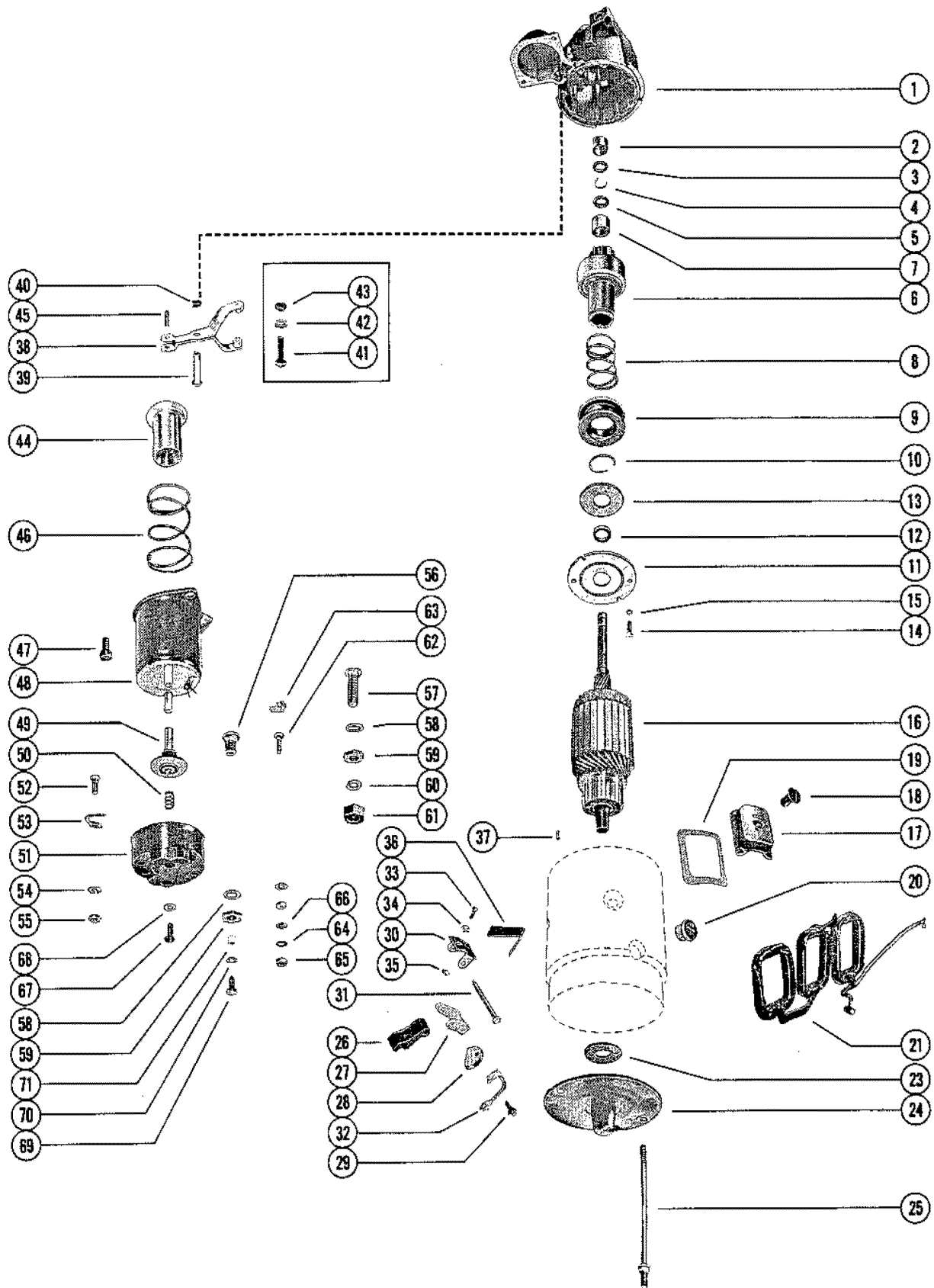
ALTERNATOR ASSEMBLY, COMPLETE (MOTOROLA)



ALTERNATOR ASSEMBLY, COMPLETE (MOTOROLA)

REF. NO.	PART NO.	SYM.	QTY.	DESCRIPTION
-	78403A1		1	ALTERNATOR ASSEMBLY, COMPLETE (MOTOROLA)
1	390-7027		1	NUT, FAN AND PULLEY TO ROTOR
2	390-7033		1	LOCKWASHER, FAN AND PULLEY NUT
3	390-7017		1	PULLEY, DRIVE END FRAME
4	390-7004		1	FAN, DRIVE END FRAME
5	390-7012		1	SPACER, FAN TO DRIVE END FRAME
6	390-7028		4	NUT, THRU BOLT ATTACHING
7	390-7000		1	COVER ASSEMBLY, FRONT
8	390-7005		2	BALL BEARING, DRIVE END FRAME AND ROTOR SHAFT
9	390-7006		1	RETAINER, DRIVE END BALL BEARING
10	390-7002		1	STATOR ASSEMBLY
11	390-7009		1	DIODE RECTIFIER, NEGATIVE
12	390-7010		1	HEAT SINK, POSITIVE
13	390-7020		1	SLEEVE, INSULATOR
14	390-7018		1	SLEEVE, INSULATOR
15	390-7034		1	KEY, ROTOR ASSEMBLY SHAFT
16	390-7001		1	ROTOR ASSEMBLY
17	390-7014		1	SLIP RING
18	390-7206		1	WASHER, ROTOR ASSEMBLY SCREW
19	390-7207		1	LOCKWASHER, ROTOR ASSEMBLY SCREW
20	390-7029		1	SCREW, ROTOR ASSEMBLY SHAFT (5/8")
21	390-7007		1	RETAINER, ROTOR SHAFT BEARING
22	390-7003		1	COVER ASSEMBLY, REAR
23	390-7035		1	CONDENSOR
24	390-7023		1	WASHER, REGULATOR TERMINAL STUD
25	390-7024		1	WASHER, CONDENSOR TERMINAL STUD
26	390-7025		1	NUT, TERMINAL STUD
27	390-7208		1	WASHER, TERMINAL STUD
28	390-7032		2	LOCKWASHER, TERMINAL STUD
29	390-7026		1	NUT, TERMINAL ATTACHING
30	390-7022		1	WASHER, COONDENSOR TERMINAL STUD
31	390-7016		4	BOLT, THRU (3")
32	390-7021		1	NUT, CONDENSOR TERMINAL ATTACHING
33	390-7011		1	,BRUSH HOLDER ASSEMBLY
34	390-7030		2	SCREW, BRUSH HOLDER ATTACHING (1/2")
35	390-7008		1	DIODE TRIO
36	390-7019		1	SPACER, DIODE TRIO
37	390-7013		1	GASKET, VOLTAGE REGULATOR TO ALTERNATOR
38	390-7036		1	VOLTAGE REGULATOR
39	390-7015		4	SCREW, VOLTAGE REGULATOR ATTACHING

STARTER MOTOR ASSEMBLY, COMPLETE (B-50-77328A1)

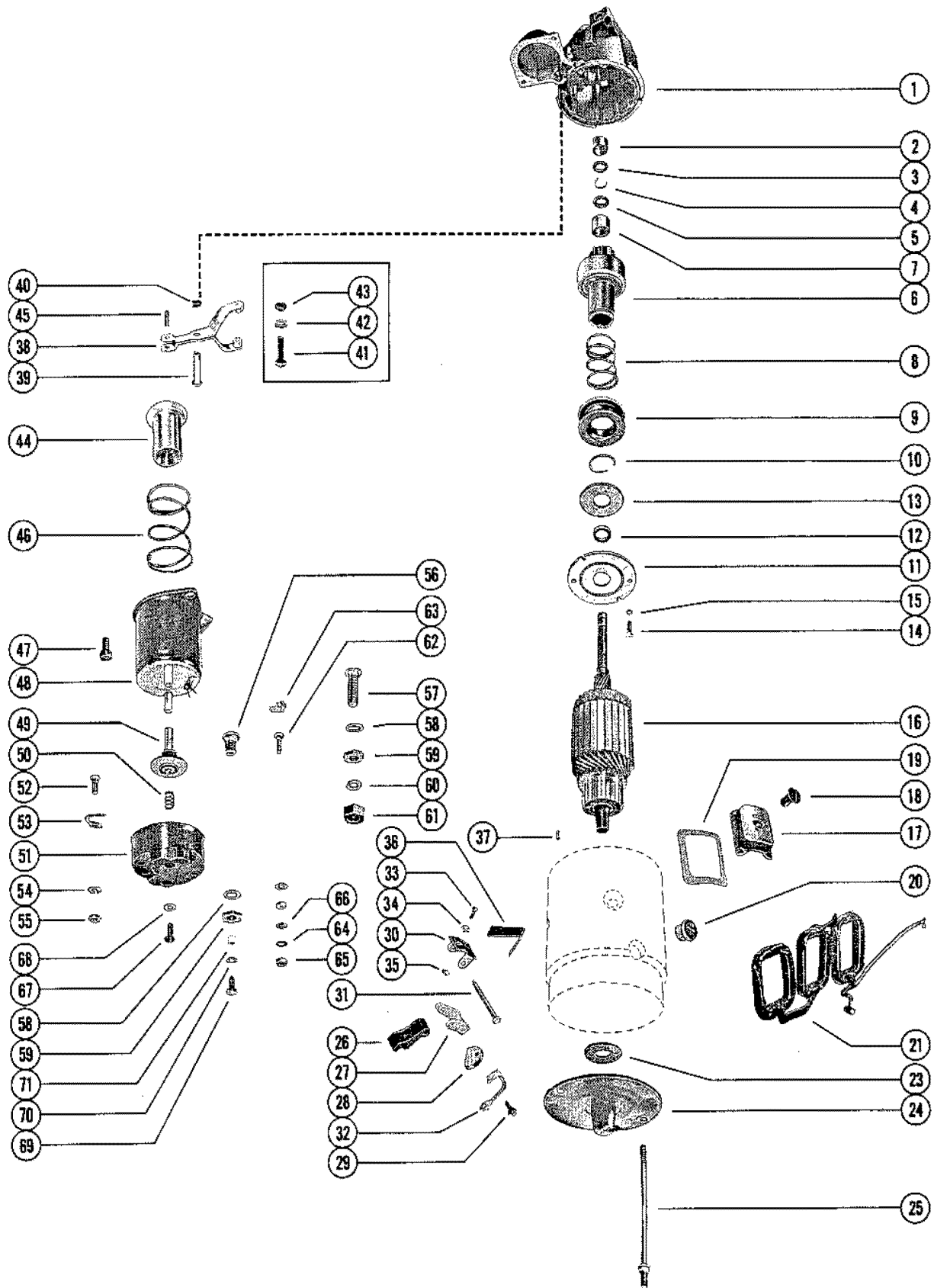


STARTER MOTOR ASSEMBLY, COMPLETE (B-50-77328A1)

REF. NO.	PART NO.	SYM.	QTY.	DESCRIPTION
-	50-77328A1		1,,,	STARTER MOTOR ASSEMBLY, COMPLETE
-	50-76965A1		,1,,,	STARTER MOTOR ASSEMBLY, COMPLETE
-	50-79604A1		,,1,,	STARTER MOTOR ASSEMBLY, COMPLETE
-	50-79822A1		,,,1,	STARTER MOTOR ASSEMBLY, COMPLETE
-	50-79823A1		,,,1	STARTER MOTOR ASSEMBLY, COMPLETE
1	75666		1,,,	HOUSING, DRIVE END
	79206		,1,1,,	HOUSING, DRIVE END
	71696		,,,1,1	HOUSING, DRIVE END
2	23-33369		1,1,1,1,1	BUSHING, DRIVE END HOUSING
3	33292		1,1,1,1,1	COLLAR, THRUST - DRIVE END HOUSING
4	53-33290		1,1,1,1,1	RING, RETAINING - PINION STOP COLLAR
5	33291		1,1,1,1,1	COLLAR, PINION STOP - DRIVE END HOUSING
6	33318		1,,,	DRIVE ASSEMBLY, CLUTCH - ARMATURE
	68606		,1,,,	DRIVE ASSEMBLY, CLUTCH - ARMATURE
	68609		,,1,,	DRIVE ASSEMBLY, CLUTCH - ARMATURE
	79205		,,,1,1	DRIVE ASSEMBLY, CLUTCH - ARMATURE
7	23-33369		1,1,1,1,1	BUSHING, GEAR END - CLUTCH DRIVE (1 9/16")
8	24-33368		1,1,1,1,1	SPRING, CLUTCH DRIVE
9	N.S.S.		1,1,1,1,1	COLLAR, CLUTCH DRIVE (DELCO REMY#1904443)
10	33367		1,1,1,1,1	LOCKWIRE, COLLAR AND SPRING RETAINING
11	79396		1,1,1,,	PLATE, BEARING
	68620		,,,1,1	PLATE, BEARING
12	23-71694		1,1,1,1,1	BUSHING, BEARING PLATE
13	12-68614		1,1,1,1,1	WASHER, BEARING PLATE
14	10-75659		2,2,2,,	SCREW, BEARING PLATE ATTACHING
	10-79209		,,,2,2	SCREW, BEARING PLATE ATTACHING
15	13-26996		2,2,2,2,2	LOCKWASHER, BEARING PLATE SCREW
16	75665		1,,,1,	ARMATURE
	68606		,1,,,	ARMATURE
	68607		,,1,,	ARMATURE
	71693		,,,1	ARMATURE
17	48263		4,4,4,4,	SHOE, POLE - FIELD COIL
	N.S.S.		,,,4	SHOE, POLE - FIELD COIL (DELCO REMY#1931129)
18	10-60684		4,4,4,4,4	SCREW, POLE SHOE TO FIELD COIL
19	33293		4,4,4,4,4	INSULATION, FIELD COIL
20	25-68619		1,1,1,,	GROMMET, FIELD COIL - FIELD FRAME
	25-79208		,,,1,1	GROMMET, FIELD COIL - FIELD FRAME
21	75664		1,,1,1,	FIELD COIL ASSEMBLY
	48272		,1,,,	FIELD COIL ASSEMBLY
	79212		,,,1	FIELD COIL ASSEMBLY
23	12-33258		1,1,1,1,1	WASHER, LEATHER - COMMUTATOR END FRAME
24	33295		1,1,1,,	FRAME, COMMUTATOR END - LOWER
	79211		,,,1,1	FRAME, COMMUTATOR END - LOWER

CONTINUED ON NEXT PAGE ➡

STARTER MOTOR ASSEMBLY, COMPLETE (B-50-77328A1)

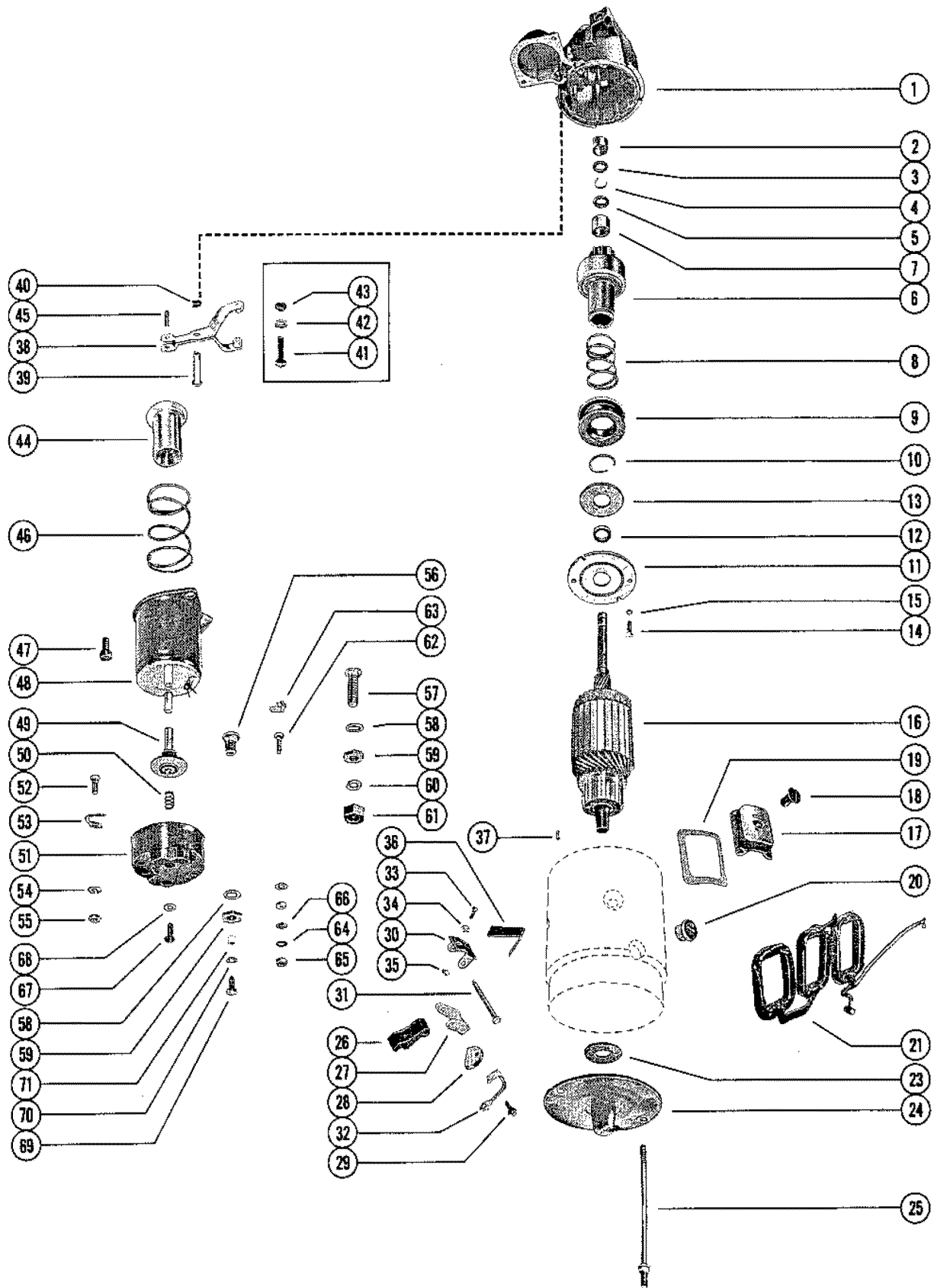


STARTER MOTOR ASSEMBLY, COMPLETE (B-50-77328A1)

REF. NO.	PART NO.	SYM.	QTY.	DESCRIPTION
25	10-33296		1,1,1,1,1	BOLT, THRU - COMMUTATOR END TO DRIVE END HOUSING
	10-33286		1,1,1,1,1	BOLT, THRU - COMMUTATOR END TO DRIVE END HOUSING
26	33284		2,2,2,2,2	HOLDER, INSULATED - FIELD FRAME BRUSH
27	33283		2,2,2,2,2	HOLDER - FIELD FRAME BRUSH GROUND
28	33270		4,4,4,4,4	BRUSH, FIELD FRAME
29	10-46888		2,2,2,2,2	SCREW, BRUSH LEAD TO FIELD FRAME BRUSH (8-18 X 5/8")
	10-60685		2,2,2,2,2	SCREW, BRUSH LEAD TO FIELD FRAME BRUSH
30	33294		2,2,2,2,2	SUPPORT PACKAGE, GROUND AND INSULATED HOLDERS
31	17-33280		2,2,2,2,2	PIN, GROUND AND INSULATED HOLDER TO SUPPORT
32	60686		2,2,2,2,2	LEAD, FIELD FRAME BRUSH
33	10-33250		4,4,4,4,4	SCREW, SUPPORT TO FIELD FRAME
34	13-26996		4,4,4,4,4	LOCKWASHER, SUPPORT SCREW
35	11-30968		4,4,4,4,4	NUT, SUPPORT SCREW
36	24-33285		4,4,4,4,4	SPRING, FIELD FRAME BRUSH
37	17-33257		1,1,1,1,1	PIN, DOWEL - FIELD FRAME TO DRIVE END HOUSING
-	50-77328A1		1,,,,	STARTER MOTOR ASSEMBLY, COMPLETE
-	50-76965A1		,1,,,,	STARTER MOTOR ASSEMBLY, COMPLETE
-	50-79604A1		,,1,,	STARTER MOTOR ASSEMBLY, COMPLETE
-	50-79822A1		,,,1,	STARTER MOTOR ASSEMBLY, COMPLETE
-	50-79823A1		,,,,1	STARTER MOTOR ASSEMBLY, COMPLETE
38	71698		1,,,,	LEVER, SHIFT
39	33310		1,,,,	SHAFT, SHIFT LEVER TO DRIVE END HOUSING
40	53-33354		1,,,,	RING, RETAINING - SHIFT LEVER SHAFT
38	33297		,1,1,1,1	LEVER, SHIFT
41	16-48268		,1,1,1,1	STUD, SHIFT LEVER TO DRIVE END HOUSING
42	12-68615		,1,1,1,1	WASHER, SHAFT LEVER STUD
43	11-26484		,1,1,1,1	NUT, SHIFT LEVER STUD
44	33317		1,1,1,1,1	PLUNGER, SHIFT LEVER - SOLENOID SWITCH
45	17-24198		1,,,,	PIN, PLUNGER TO SHIFT LEVER
	17-79207		,1,1,1,1	PIN, PLUNGER TO SHIFT LEVER
46	24-46889		1,1,1,1,1	SPRING, PLUNGER RETURN - SOLENOID SWITCH
47	10-28713		,2,2,,	SCREW, SOLENOID SWITCH TO DRIVE END HOUSING
	10-24963		2,,,2,2	SCREW, SOLENOID SWITCH TO DRIVE END HOUSING
48	33261		1,1,1,1,1	SOLENOID SWITCH ASSEMBLY
49	33316		1,1,1,1,1	CONTACT AND PUSH ROD ASSEMBLY
50	24-33265		1,1,1,1,1	SPRING, CONTACT AND PUSH ROD TENSION
51	N.S.S.		1,1,1,1,1	COVER, SOLENOID SWITCH (DELCO REMY#1963525)
52	16-33304		1,1,1,1,1	STUD, RESISTOR TERMINAL (10-32)
53	33305		1,1,1,1,1	CONTACT, RESISTOR TERMINAL STUD
54	13-26996		1,1,1,1,1	LOCKWASHER, RESISTOR TERMINAL STUD (#10)
55	11-68219		1,1,1,1,1	NUT, RESISTOR TERMINAL STUD (10-32)

CONTINUED ON NEXT PAGE ➡

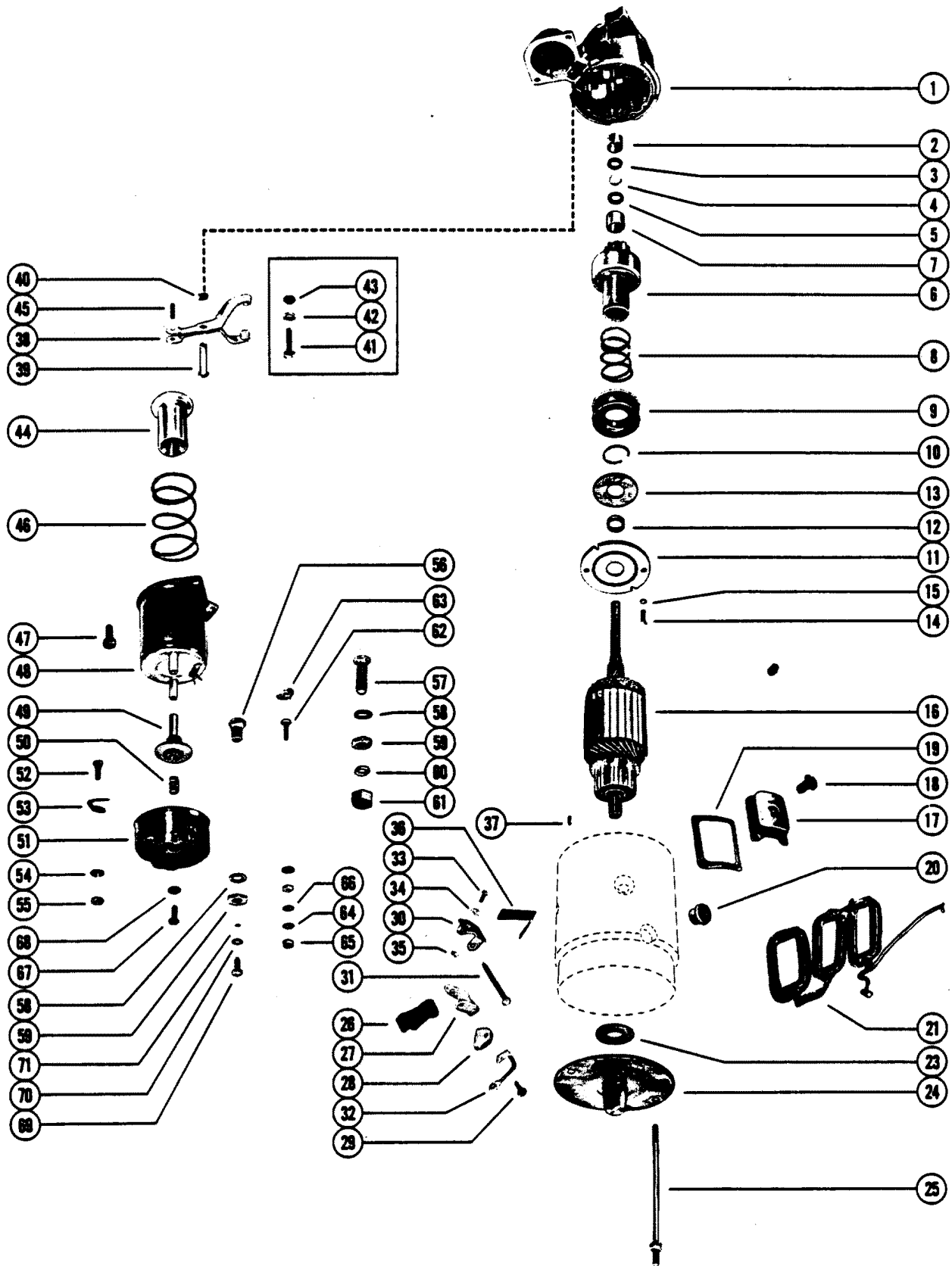
STARTER MOTOR ASSEMBLY, COMPLETE (B-50-77328A1)



STARTER MOTOR ASSEMBLY, COMPLETE (B-50-77328A1)

REF. NO.	PART NO.	SYM.	QTY.	DESCRIPTION
56	16-33299		1,1,1,1,1	STUD, MOTOR TERMINAL (3/8-16)
57	16-45536		1,1,1,1,1	STUD, BATTERY TERMINAL (3/8-16)
58	12-33289		2,2,2,2,2	WASHER, BATTERY AND MOTOR TERMINAL STUD (3/8")
59	11-32219		2,2,2,2,2	NUT, BATTERY AND MOTOR TERMINAL STUD (3/8-16)
60	13-37459		1,1,1,1,1	LOCKWASHER, BATTERY TERMINAL STUD (3/8")
61	11-32219		1,1,1,1,1	NUT, BATTERY TERMINAL STUD (3/8-16)
62	16-33262		1,1,1,1,1	STUD, SWITCH TERMINAL (8-32)
63	5-33307		1,1,1,1,1	CLIP, SWITCH TERMINAL STUD
64	12-33279		2,2,2,2,2	WASHER, PLASTIC - SWITCH TERMINAL STUD (#8)
65	11-21923		2,2,2,2,2	NUT, SWITCH TERMINAL STUD (8-32)
66	13-26995		1,1,1,1,1	LOCKWASHER, SWITCH TERMINAL STUD (#8)
67	10-33248		2,2,2,2,2	SCREW, COVER TO SOLENOID SWITCH (7/16")
68	12-33279		2,2,2,2,2	WASHER, PLASTIC - COVER SCREW
69	10-48266		1,1,1,1,1	SCREW, FIELD COIL LEAD TO SOLENOID SWITCH (7/16")
	10-45546		1,1,1,1,1	SCREW, FIELD COIL LEAD TO SOLENOID SWITCH (1")
70	13-26995		1,1,1,1,1	LOCKWASHER, FIELD COIL LEAD SCREW
71	N.S.S.		1,1,1,1,1	CONNECTOR, FIELD COIL LEAD SCREW (DELCO REMY#1963519)

STARTER MOTOR ASSEMBLY, COMPLETE (B-50- 76965A3)

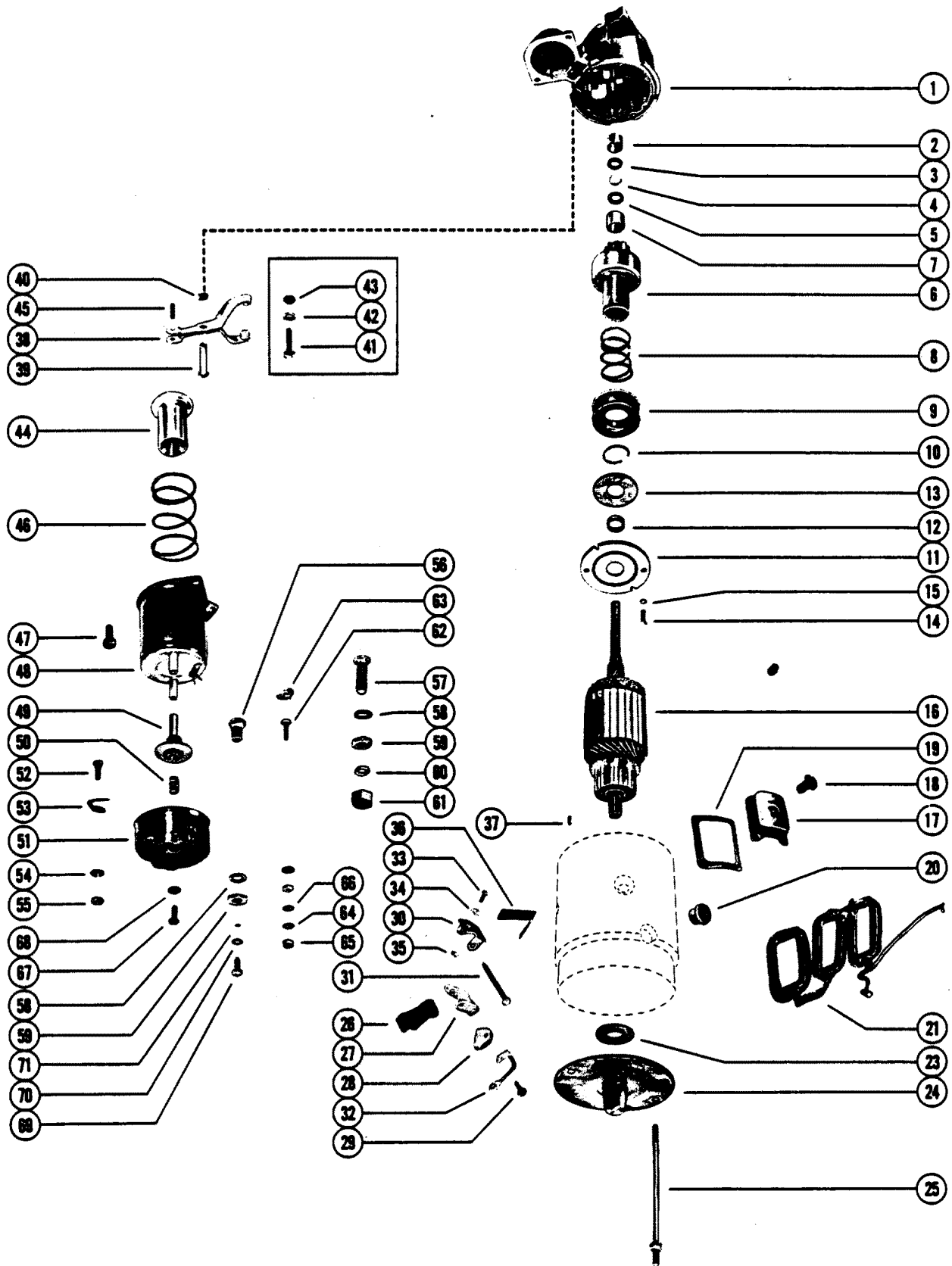


STARTER MOTOR ASSEMBLY, COMPLETE (B-50- 76965A3)

REF. NO.	PART NO.	SYM.	QTY.	DESCRIPTION
-	50-76965A3		1,,	STARTER MOTOR ASSEMBLY, COMPLETE
-	50-79604A3		,1,,	STARTER MOTOR ASSEMBLY, COMPLETE
-	50-79822A2		,,1,	STARTER MOTOR ASSEMBLY, COMPLETE
-	50-79821A2		,,,1	STARTER MOTOR ASSEMBLY, COMPLETE
1	79206		1,1,,	HOUSING, DRIVE END
	71696		,,1,1	HOUSING, DRIVE END
2	23-33369		1,1,1,1	BUSHING, DRIVE END HOUSING
3	33292		1,1,1,1	COLLAR, THRUST - DRIVE END HOUSING
4	53-33290		1,1,1,1	RING, RETAINING - PINION STOP COLLAR
5	33291		1,1,1,1	COLLAR, PINION STOP - DRIVE END HOUSING
6	68608		1,,	DRIVE ASSEMBLY, CLUTCH - ARMATURE
	68609		,1,,	DRIVE ASSEMBLY, CLUTCH - ARMATURE
	79205		,,1,1	DRIVE ASSEMBLY, CLUTCH - ARMATURE
7	23-33369		1,1,1,1	BUSHING, GEAR END - CLUTCH DRIVE (1 9/16")
8	24-33368		1,1,1,1	SPRING, CLUTCH DRIVE
9	N.S.S.		1,1,1,1	COLLAR, CLUTCH DRIVE (DELCO REMY#1904443)
10	33367		1,1,1,1	LOCKWIRE, COLLAR AND SPRING RETAINING
11	79396		1,1,,	PLATE, BEARING
	N.S.S.		,,1,1	PLATE, BEARING (DELCO REMY #1956939)
12	23-71694		1,1,1,1	BUSHING, BEARING PLATE
13	12-68614		1,1,1,1	WASHER, BEARING PLATE
14	10-75659		2,2,,	SCREW, BEARING PLATE ATTACHING
	10-79209		,,2,2	SCREW, BEARING PLATE ATTACHING
15	13-26996		2,2,2,2	LOCKWASHER, BEARING PLATE SCREW
16	75665		,,1,	ARMATURE
	68606		1,,	ARMATURE
	68607		,1,,	ARMATURE
	71693		,,,1	ARMATURE
17	N.S.S.		4,4,4,	SHOE, POLE - FIELD COIL (DELCO REMY #810601)
	N.S.S.		,,,4	SHOE, POLE - FIELD COIL (DELCO REMY #1931129)
18	N.S.S.		4,4,4,4	SCREW, POLE SHOE TO FIELD COIL (DELCO REMY #1968396)
19	33293		,,,4	INSULATION, FIELD COIL
20	25-68619		1,1,1,	GROMMET, FIELD COIL - FIELD FRAME
	25-79208		,,1,1	GROMMET, FIELD COIL - FIELD FRAME
21	75664		,1,1,	FIELD COIL ASSEMBLY
	48272		1,,	FIELD COIL ASSEMBLY
	79212		,,,1	FIELD COIL ASSEMBLY
23	12-33258		,,1,1	WASHER, LEATHER - COMMUTATOR END FRAME
24	33295		1,1,,	FRAME, COMMUTATOR END - LOWER
	79211		,,1,1	FRAME, COMMUTATOR END - LOWER
25	10-33296		,,1,1	BOLT, THRU - COMMUTATOR END TO DRIVE END HOUSING

CONTINUED ON NEXT PAGE ➡

STARTER MOTOR ASSEMBLY, COMPLETE (B-50- 76965A3)

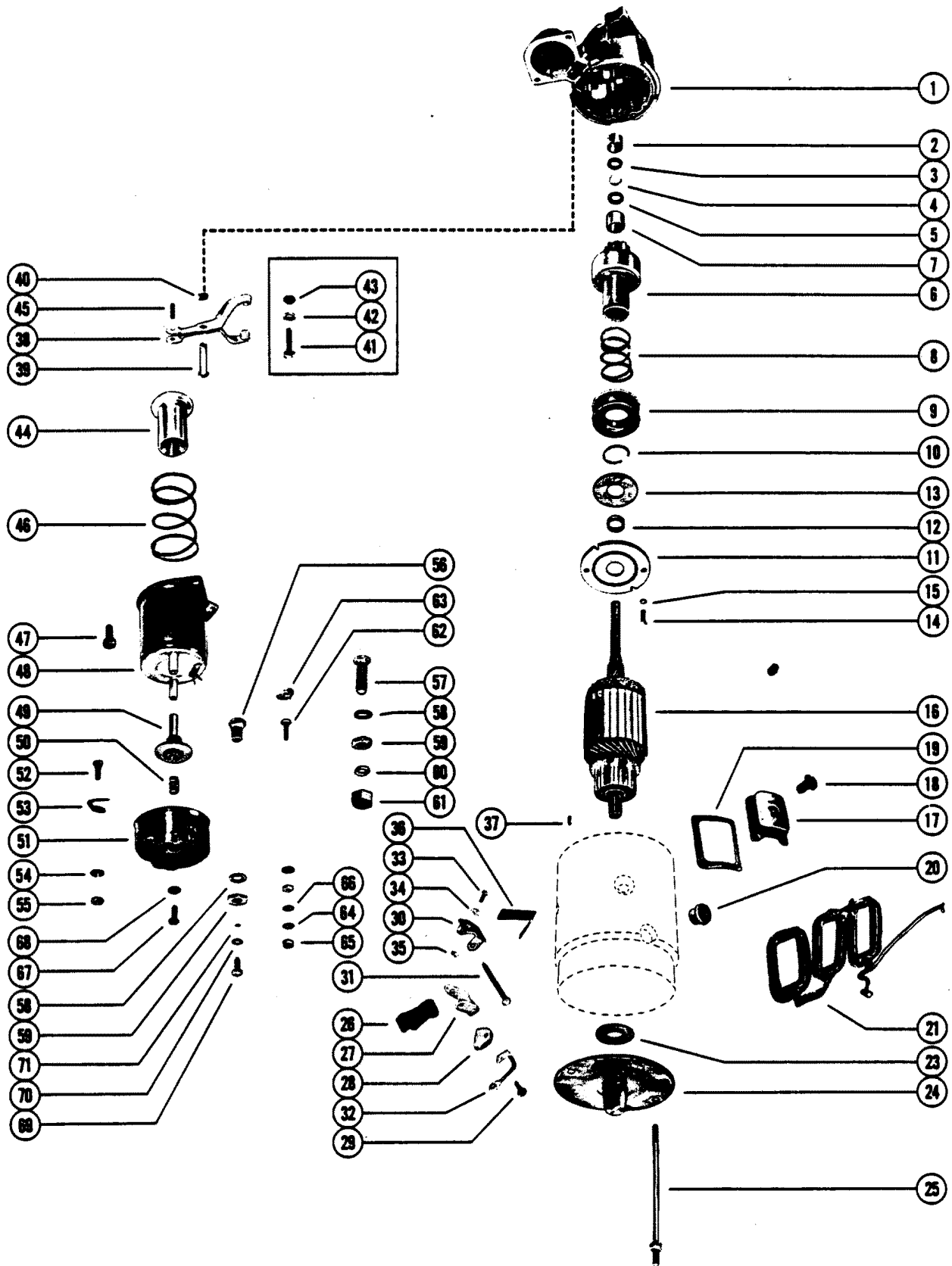


STARTER MOTOR ASSEMBLY, COMPLETE (B-50- 76965A3)

REF. NO.	PART NO.	SYM.	QTY.	DESCRIPTION
25	10-33286		„1,1	BOLT, THRU - COMMUTATOR END TO DRIVE END HOUSING
26	33284		2,2,2,2	HOLDER, INSULATED - FIELD FRAME BRUSH
27	33283		2,2,2,2	HOLDER, FIELD FRAME BRUSH GROUND
28	33270		4,4,4,4	BRUSH, FIELD FRAME
29	10-52904		2,2,2,2	SCREW, BRUSH LEAD TO FIELD FRAME BRUSH (8-18 X 5/8")
	10-60685		2,2,2,2	SCREW, BRUSH LEAD TO FIELD FRAME BRUSH
30	33294		2,2,2,2	SUPPORT PACKAGE, GROUND WIRE AND INSULATED HOLDERS
31	17-33280		2,2,2,2	PIN, GROUND AND INSULATED HOLDER TO SUPPORT
32	60686		2,2,2,2	LEAD, FIELD FRAME BRUSH
33	N.S.S.		4,4,4,4	SCREW, SUPPORT TO FIELD FRAME (DELCO REMY #274738)
34	13-26996		4,4,4,4	LOCKWASHER, SUPPORT SCREW
35	11-30968		4,4,4,4	NUT, SUPPORT SCREW
36	24-33285		4,4,4,4	SPRING, FIELD FRAME BRUSH
37	17-33257		1,1,1,1	PIN, DOWEL - FIELD FRAME TO DRIVE END HOUSING
-	50-76965A3		1,,,	STARTER MOTOR ASSEMBLY, COMPLETE
-	50-79604A3		,1,,	STARTER MOTOR ASSEMBLY, COMPLETE
-	50-79822A2		„1,	STARTER MOTOR ASSEMBLY, COMPLETE
-	50-79821A2		,,,1	STARTER MOTOR ASSEMBLY, COMPLETE
38	71698		1,1,1,1	LEVER, SHIFT
39	33310		1,1,1,1	SHAFT, SHIFT LEVER TO DRIVE END HOUSING
40	53-33354		1,1,1,1	>RING, RETAINING - SHIFT LEVER SHAFT
38	33297		1,1,1,1	LEVER, SHIFT
41	N.S.S.		1,1,1,1	STUD, SHIFT LEVER TO DRIVE END HOUSING
42	12-68615		1,1,1,1	WASHER, SHIFT LEVER STUD
43	11-26484		1,1,1,1	NUT, SHIFT LEVER STUD
44	33317		1,1,1,1	PLUNGER, SHIFT LEVER - SOLENOID SWITCH
45	17-79207		1,1,1,1	PIN, PLUNGER TO SHIFT LEVER
46	24-46889		1,1,1,1	SPRING, PLUNGER RETURN - SOLENOID SWITCH
47	10-28713		2,2,2,2	SCREW, SOLENOID SWITCH TO DRIVE END HOUSING
	10-24963		2,2,2,2	SCREW, SOLENOID SWITCH TO DRIVE END HOUSING
48	33261		1,1,1,1	SOLENOID SWITCH ASSEMBLY
	89902		1,1,1,1	SOLENOID SWITCH ASSEMBLY
49	33316		1,1,1,1	CONTACT AND PUSH ROD ASSEMBLY
50	24-33265		1,1,1,1	SPRING, CONTACT AND PUSH ROD TENSION
51	45537		1,1,1,1	COVER, SOLENOID SWITCH
52	16-33304		1,1,1,1	STUD, RESISTOR TERMINAL (10-32)
53	33305		1,1,1,1	CONTACT, RESISTOR TERMINAL STUD
54	13-26996		1,1,1,1	LOCKWASHER, RESISTOR TERMINAL STUD (#10)
55	11-68219		1,1,1,1	NUT, RESISTOR TERMINAL STUD (10-32)
56	16-33299		1,1,1,1	STUD, MOTOR TERMINAL (3/8-16)

CONTINUED ON NEXT PAGE ➡

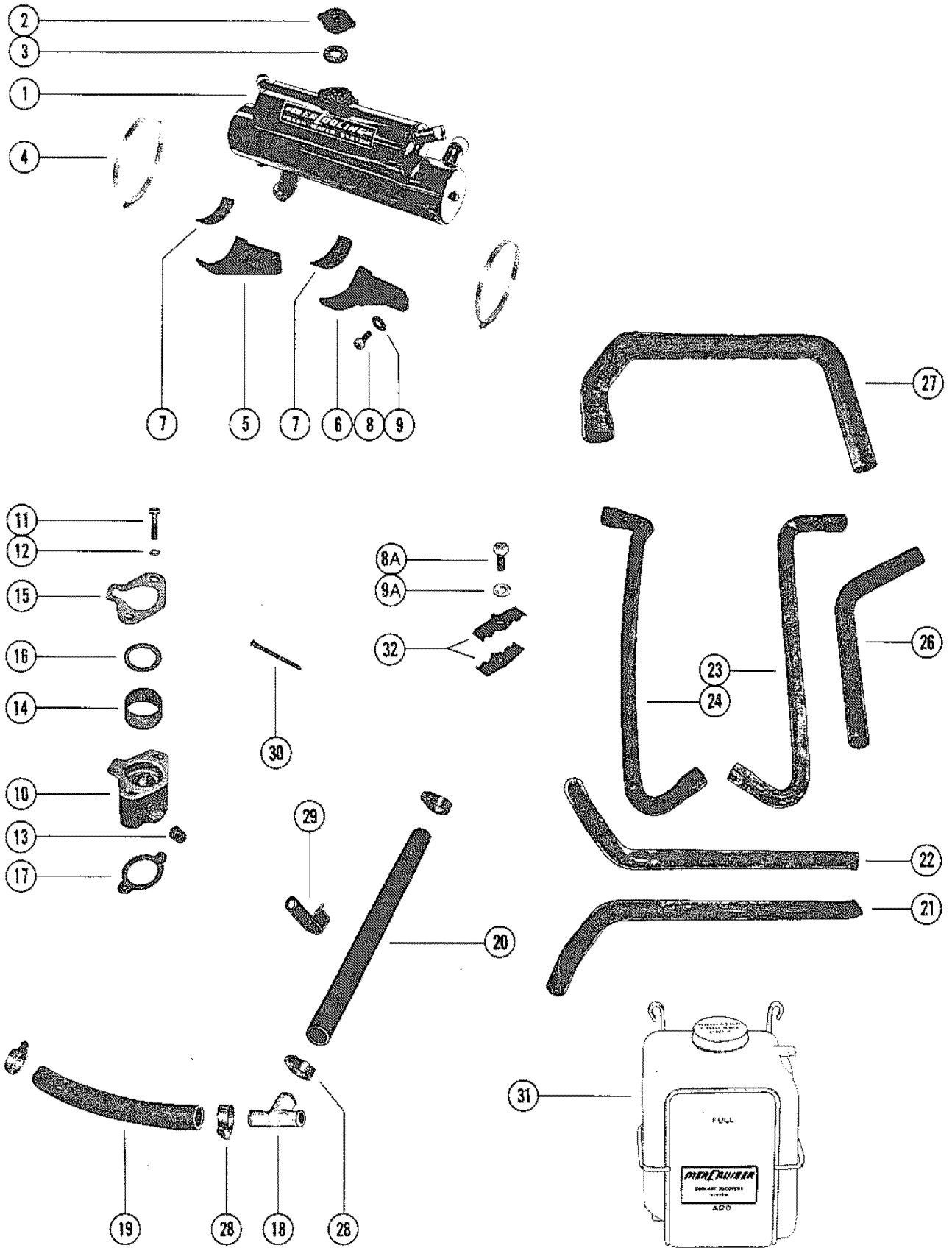
STARTER MOTOR ASSEMBLY, COMPLETE (B-50- 76965A3)



STARTER MOTOR ASSEMBLY, COMPLETE (B-50- 76965A3)

REF. NO.	PART NO.	SYM.	QTY.	DESCRIPTION
57	16-45536		1,1,1,1	STUD, BATTERY TERMINAL (3/8-16)
58	12-33289		2,2,2,2	WASHER, BATTERY AND MOTOR TERMINAL STUD (3/8")
59	11-32219		2,2,2,2	NUT, BATTERY AND MOTOR TERMINAL STUD (3/8-16)
60	13-37459		1,1,1,1	LOCKWASHER, BATTERY TERMINAL STUD (3/8")
61	11-32219		1,1,1,1	NUT, BATTERY TERMINAL STUD (3/8-16)
62	16-33262		1,1,1,1	STUD, SWITCH TERMINAL (8-32)
63	54-33307		1,1,1,1	CLIP, SWITCH TERMINAL STUD
64	12-33279		2,2,2,2	WASHER, PLASTIC - SWITCH TERMINAL STUD (#8)
65	11-21923		2,2,2,2	NUT, SWITCH TERMINAL STUD (8-32)
66	13-26995		1,1,1,1	LOCKWASHER, SWITCH TERMINAL STUD (#8)
67	10-33248		2,2,2,2	SCREW, COVER TO SOLENOID SWITCH (7/16")
68	12-33279		2,2,2,2	WASHER, PLASTIC - COVER SCREW
69	10-48266		1,1,1,1	SCREW, FIELD COIL LEAD TO SOLENOID SWITCH (7/16")
	10-45546		1,1,1,1	SCREW, FIELD COIL LEAD TO SOLENOID SWITCH (1")
70	13-26995		1,1,1,1	LOCKWASHER, FIELD COIL LEAD SCREW
71	N.S.S.		1,1,1,1	CONNECTOR, FIELD COIL LEAD SCREW (DELCO REMY #1963519)

FRESH WATER COOLING KIT (MIE 330)



FRESH WATER COOLING KIT (MIE 330)

REF. NO.	PART NO.	SYM.	QTY.	DESCRIPTION
1	79607A1		1	FRESH WATER COOLING KIT
2	36-55143		1	CAP, PRESSURE - HEAT EXCHANGER
3	27-71614		1	GASKET, PRESSURE CAP
4	54-31765		2	CLAMP, HEAT EXCHANGER TO MOUNTING BRACKET
5	79605A1		1	BRACKET, MOUNTING (PORT)
6	79606A1		1	BRACKET, MOUNTING (STARBOARD)
7	67467		2	PAD, MOUNTING BRACKET
8	10-34353		2	SCREW, MOUNTING BRACKET TO ENGINE (1")
8A	10-47461		3	SCREW, (1") - SEE NOTE BELOW
9	13-35048		2	LOCKWASHER, MOUNTING BRACKET SCREW
9A	13-37272		3	LOCKWASHER, BRACKET AND RETAINER SCREWS
10	55131		1	THERMOSTAT HOUSING
11	10-48115		2	SCREW, THERMOSTAT HOUSING ATTACHING (3 1/2")
12	13-37459		2	LOCKWASHER, THERMOSTAT HOUSING SCREW
13	22-47540		2	PLUG, PIPE - THERMOSTAT HOUSING
14	23-47508		1	SLEEVE, THERMOSTAT HOUSING
15	27-48818		1	GASKET, THERMOSTAT HOUSING - UPPER
16	27-47510		1	GASKET, THERMOSTAT HOUSING - MIDDLE
17	27-53045		1	GASKET, THERMOSTAT HOUSING - LOWER
18	22-63067		1	TEE, FITTING
19	32-55483		1	HOSE, TEE TO EXHAUST ELBOW (21 1/2")
20	32-78103		1	HOSE, HEAT EXCHANGER TO TEE - MOLDED
21	32-79674		1	HOSE, FRONT CAP TO HEAT EXCHANGE (PORT)
22	32-79675		1	HOSE, FRONT CAP TO HEAT EXCHANGER (STARBOARD)
23	32-79673		1	HOSE, THERMOSTAT HSG. TO REAR CAP (PORT)
24	32-79672		1	HOSE, THERMOSTAT HSG. TO REAR CAP (STARBOARD)
26	32-79671		1	HOSE, OIL COOLER TO HEAT EXCHANGER
27	32-79670		1	HOSE, HEAT EXCHANGER TO WATER PUMP
28	54-32780		6	CLAMP, HOSE ATTACHING
29	54-79679		2	CLIP, HOSE
30	61990		2	STA-STRAP
31	71587A2		1	COOLANT RECOVERY SYSTEM (SEE NOTE #1 BELOW)
32	63192		4	RETAINER, HIGH TENSION LEADS

PARTS INDEX

Part Number	Description	Pg.	Ref. No.	Part Number	Description	Pg.	Ref. No.
22789	"D" WASHER, IGNITION COIL SCREW	7	5	33297	LEVER, SHIFT	95	38
25661	STARTER SOLENOID	7	19	33297	LEVER, SHIFT	101	38
26059	CAP, RUBBER - BOOSTER CYLINDER	55	7	33305	CONTACT, RESISTOR TERMINAL STUD	95	53
26079	PLATE, WIRING HARNESS TO MOUNTING BRACKET	7	27	33305	CONTACT, RESISTOR TERMINAL STUD	101	53
26079	PLATE< WIRING HARNESS TO MOUNTING BRACKET	9	2	33310	SHAFT, SHIFT LEVER TO DRIVE END HOUSING	95	39
29359	LUBRICAP, GREASE FITTING	65	109	33310	SHAFT, SHIFT LEVER TO DRIVE END HOUSING	101	39
32193	COIL, IGNITION	11	23	33316	CONTACT AND PUSH ROD ASSEMBLY	95	49
32720	FITTING, OIL FILTER TO ADAPTOR	33	14	33316	CONTACT AND PUSH ROD ASSEMBLY	101	49
32720	FITTING, OIL FILTER TO ADAPTOR	83	3	33317	PLUNGER, SHIFT LEVER - SOLENOID SWITCH	95	44
32782	RETAINER, HIGH TENSION LEADS (2 WIRE)	13	23	33317	PLUNGER, SHIFT LEVER - SOLENOID SWITCH	101	44
32783	RETAINER, HIGH TENSION LEADS (3 WIRE)	11	34	33318	DRIVE ASSEMBLY, CLUTCH - ARMATURE	93	6
32783	RETAINER, HIGH TENSION LEADS (3 WIRE)	13	23	33367	LOCKWIRE, COLLAR AND SPRING RETAINING	93	10
32784	RETAINER, HIGH TENSION LEADS (4 WIRE)	11	34	33367	LOCKWIRE, COLLAR AND SPRING RETAINING	99	10
32784	RETAINER, HIGH TENSION LEADS (4 WIRE)	13	23	35377	ROD, PUSH - FUEL PUMP	15	4
33261	SOLENOID SWITCH ASSEMBLY	95	48	38333	CAP, FILLER - PUMP	55	2
33261	SOLENOID SWITCH ASSEMBLY	101	48	38559	OIL PRESSURE SWITCH ASSEMBLY INBOARD	3	15
33270	BRUSH, FIELD FRAME	95	28	39670A23	SWITCH ASSEMBLY, CUT-OUT	67	23
33270	BRUSH, FIELD FRAME	101	28	39670A23	SWITCH, CUT-OUT - TRANSMISSION	85	32
33283	HOLDER - FIELD FRAME BRUSH GROUND	95	27	45537	COVER, SOLENOID SWITCH	101	51
33283	HOLDER, FIELD FRAME BRUSH GROUND	101	27	45915	TERMINAL BLOCK, CUT-OUT SWITCH LEADS	85	8
33284	HOLDER, INSULATED - FIELD FRAME BRUSH	95	26	47442	COVER, THERMOSTAT HOUSING	27	6
33284	HOLDER, INSULATED - FIELD FRAME BRUSH	101	26	47487	BRACKET, ALTERNATOR MOUNTING	5	33
33291	COLLAR, PINION STOP - DRIVE END HOUSING	93	5	47489A1	BRACKET, WATER PUMP	79	28
33291	COLLAR, PINION STOP - DRIVE END HOUSING	99	5	47493A12	DISTRIBUTOR ASSEMBLY	13	1
33292	COLLAR, THRUST - DRIVE END HOUSING	93	3	47530	HUB, WATER PUMP PULLEY	79	20
33292	COLLAR, THRUST - DRIVE END HOUSING	99	3	47544	BRACE, WATER PUMP ADJUSTING	81	35
33293	INSULATION, FIELD COIL	93	19	47552	OIL PAN (INBOARD)	49	8
33293	INSULATION, FIELD COIL	99	19	47607	DRIVE PLATE, FLYWHEEL (INBOARD)	41	13
33294	SUPPORT PACKAGE, GROUND AND INSULATED HOLDERS	95	30	47613	SWITCH, NEUTRAL SAFETY	75	26
33294	SUPPORT PACKAGE, GROUND WIRE AND INSULATED HOLDERS	101	30	47613	SWITCH, NRUTRAL SAFETY	71	17
33295	FRAME, COMMUTATOR END - LOWER	93	24	47735A1	EXHAUSE MANIFOLD ASSEMBLY (PORT)	25	1
33295	FRAME, COMMUTATOR END - LOWER	99	24	47736A1	EXHAUST MANIFOLD ASSEMBLY (STBD.)	25	1
				47763	BRACKET, RETAINER - HIGH TENSION LEADS	13	27
				47810	TRANSMISSION (DIRECT DRIVE) - 72 SERIES	71	1
				47811	TRANSMISSION (1.523:1 REDUCTION) - 72 SERIES	71	1

PARTS INDEX

Part Number	Description	Pg.	Ref. No.	Part Number	Description	Pg.	Ref. No.
47813	TRANSMISSION (2.57:1 REDUCTION) - 72 SERIES	71	1	52185	CLAMP, DISTRIBUTOR TO INTAKE MANIFOLD	13	19
47814	TRANSMISSION (2.909:1 REDUCTION) - 72 SERIES	71	1	52349	PULLEY, WATER PUMP (1 GROOVE)	45	16
47816	SIGHT GLASS	15	6	52618	WIRE, GROUND	13	15
47862A2	LEAD ASSEMBLY, DISTRIBUTOR TO COIL (13 1/2")	13	21	52731	OIL FILTER	33	15
47957	CONNECTOR, VENT HOSE TO ROCKER COVER	17	22	52731	OIL FILTER STERN DRIVE	47	35
48134	BRACKET, OIL LEVEL GAUGE INBOARD	49	21	52779A2	VALVE, POWER STEERING	55	10
48263	SHOE, POLE - FIELD COIL	93	17	53338	ADAPTOR, OIL FILTER STERN DRIVE	47	33
48272	FIELD COIL ASSEMBLY	93	21	53513	WEDGE, CARBURETOR MOUNTING (INBOARD)	17	6
48272	FIELD COIL ASSEMBLY	99	21	54646	BRACKET, MOUNTING - FUEL FILTER METAL	15	10
48386A1	FLANGE ASSEMBLY (1")	71	12	54676	RETAINER, HIGH TENSION LEADS (2 WIRE)	11	34
48386A1	FLANGE ASSEMBLY (1")	75	30	54785	ADAPTOR AND VALVE ASSEMBLY	33	1
48387A1	FLANGE ASSEMBLY (1 1/8")	71	12	54785	ADAPTOR ASSEMBLY, OIL FILTER BY-PASS	83	14
48387A1	FLANGE ASSEMBLY (1 1/8")	75	30	54951A2	REVERSE LOCK VALVE ASSEMBLY	67	1
48388A1	FLANGE ASSEMBLY (1 1/4")	71	12	54951A2	REVERSE LOCK VALVE ASSEMBLY	85	1
48388A1	FLANGE ASSEMBLY (1 1/4")	75	30	55110	ADAPTOR, CABLE GUIDE TUBE (DUAL)	55	18
48389A1	FLANGE ASSEMBLY (1 3/8")	71	12	55131	THERMOSTAT HOUSING	105	10
48389A1	FLANGE ASSEMBLY (1 3/8")	75	30	56328	BRACKET, OIL COOLER CLAMPING (SHORT)	33	23
48390A1	FLANGE ASSEMBLY (1 1/2")	71	12	56328	BRACKET, OIL COOLER CLAMPING (SHORT)	35	36
48390A1	FLANGE ASSEMBLY (1 1/2")	75	30	56328	BRACKET, OIL COOLER CLAMPING (SHORT)	83	21
48504A2	ADAPTOR, OIL FILTER	33	8	57096	BRACKET, THROTTLE CABLE INBOARD	17	24
48515	LEVER, SHIFT - TRANSMISSION	71	21	57286	BRACKET, MOUNTING - TRANSOM PLATE	55	24
48515	LEVER, SHIFT - TRANSMISSION	75	7	57295A1	FLANGE ASSEMBLY (1 3/4")	71	12
48652	ADAPTOR, SHIFT CABLE TO SHIFT LEVER	71	25	57296A1	FLANGE ASSEMBLY (1 3/4")	75	30
48652	ADAPTOR, SHIFT CABLE TO SHIFT LEVER	75	11	57296A1	FLANGE ASSEMBLY (2")	71	12
48952	SWITCH, WATER TEMPERATURE	89	1	57296A1	FLANGE ASSEMBLY (2")	75	30
49117	LIFTER, HYDRAULIC VALVE - TAPPET	39	8	57969	CYLINDER, BOOSTER - POWER STEERING	55	6
49129	CAP, VALVE SPRING	37	15	57970	EXTENSION - CYLINDER BOOSTER ROD	55	35
49134	VALVE, INLET (STANDARD)	37	10	57971	TUBE, MOUNTING - BOOSTER ROD	55	33
49135	VALVE, INLET (.015 O.S.)	37	10	58041	BALL UNIT, ROCKER VALVE ARM	37	18
49149	SHAFT, OIL PUMP TO DISTRIBUTOR	49	4	58265	CLAMPING RING, PUMP PULLEY	79	22
49174	REINFORCEMENT, ROCKER COVER SCREW	37	6	59137	THERMOSTAT (143)	27	8
49198	BAFFLE, OIL PAN (CYLINDER BLOCK)	49	6	59501	SHAFT, WATER PUMP	79	17
49684	BRACKET, PUMP MOUNTING	57	3	59754A1	HOUSING ASSEMBLY, ADAPTOR	13	4
49735	BRACKET, OIL COOLER MOUNT	57	15	59775	PULLEY, WATER PUMP (3 GROOVE)	45	16
49748A1	BRACKET ASSEMBLY, OIL COOLER	57	14	59965	CAP, OIL FILLER	37	4
49929	BRACKET, THROTTLE CABLE (INBOARD)	17	24				
52181	PULLEY, TORSIONAL DAMPER (STERN DRIVE AND INBOARD)	45	20				
52185	CLAMP, DISTRIBUTOR TO INTAKE MANIFOLD	11	20				

PARTS INDEX

Part Number	Description	Pg.	Ref. No.	Part Number	Description	Pg.	Ref. No.
59966	POINTER, TIMING (L.H. ROTATION)	45	29	63192	RETAINER, HIGH TENSION LEADS	11	35
59974	INTAKE MANIFOLD	45	1	63192	RETAINER, HIGH TENSION LEADS	105	32
59977	SCREEN ASSEMBLY, OIL PUMP	49	3	63815A2	BRACKET ASSEMBLY, SHIFT CABLE	71	7
59978	OIL PUMP	49	1	63815A2	BRACKET ASSEMBLY, SHIFT CABLE	75	21
59981	POINTER, TIMING (R.H. ROTATION)	45	29	63820--1	BRACKET, OIL COOLER CLAMPING (LONG)	33	22
60252	END CAP/CONNECTOR, EXHAUST MANIFOLD (FRONT)	25	7	63820--1	BRACKET, OIL COOLER CLAMPING (LONG)	35	35
60686	LEAD, FIELD FRAME BRUSH	95	32	63820--1	BRACKET, OIL COOLER CLAMPING (LONG)	83	20
60686	LEAD, FIELD FRAME BRUSH	101	32	63831	OIL COOLER (5")	33	21
60930	WATER SHUTTER, EXHAUST ELBOW	27	15	63831	OIL COOLER (5")	83	19
60958	TRANSMISSION (DIRECT DRIVE)	75	1	63832--1	OIL COOLER (9")	35	34
60959	TRANSMISSION (1.51:1 REDUCTION)	75	1	63832--1	OIL COOLER (9")	83	24
60960	TRANSMISSION (1.99:1 REDUCTION)	75	1	63832--2	OIL COOLER (12") - V-DRIVE ONLY	35	34
60961	TRANSMISSION (2.49:1 REDUCTION)	75	1	63832--2	OIL COOLER (12") - V-DRIVE ONLY	83	24
60962	TRANSMISSION (3.14:1 REDUCTION)	75	1	63878	COMPARTMENT, ELECTRICAL	7	33
61990	STA-STRAP	105	30	63879	PLATE, SWITCH BOX	7	36
62285	BRACKET, MOUNTING (REAR) V-DRIVE	53	1	64090A1	TUBE ASSEMBLY, DIPSTICK	59	3
62665	RETAINER, SPRING	61	47	64177	BRACE, WATER PUMP ADJUSTING (WITHOUT POWER STEERING)	81	35
62666	STRUT, CLUTCH BAND ANCHOR	63	69	64414	GUIDE, CABLE GUID TUBE	55	16
62667	PISTON, CLUTCH	63	87	64884	TAB, MOUNTING BRACKET SCREW	53	10
62686	RING, PRESSURE - CLUTCH SPRING	63	85	64884	TAB, WIRING HARNESS	9	7
62687	BAND, CLUTCH	63	67	65080A1	SHAFT ASSEMBLY, CONTROL VALVE	61	54
62691A1	CLUTCH PLATE KIT	63	83	65864	ROTOR, DISTRIBUTOR	13	3
62693	HUB, CLUTCH	63	82	65939A1	COVER ASSEMBLY, ELECTRICAL COMPARTMENT	7	40
62694A3	PLANETARY AND CLUTCH DRUM ASSEMBLY	63	73	65940	BRACKET, CIRCUIT BREAKER	7	16
62711	STA-STRAP, HOSE ATTACHING	79	27	65989	RETAINER, BALL BEARING	63	104
62722	PISTON, RELIEF VALVE	59	15	66166	TRUNNION, ADJUSTING - MOUNTING BRACKET	53	14
62723	LINK, CLUTCH BAND	63	68	66167	BRACKET, MOUNTING -TRANSMISSION (REAR) INBOARD	53	1
62734	MOUNT, RUBBER - OUTPUT HOUSING (REAR)	63	103	66197	ROD, AUTOMATIC CHOKE (INBOARD)	19	35
62735	LEVER, REVERSE CLUTCH	61	40	66198	COVER, AUTOMATIC CHOKE	19	33
62739A2	HOUSING ASSEMBLY, OUTPUT	63	94	66205	CHOKE, AUTOMATIC - CARBURETOR	19	32
62740A2	CONTROL VALVE ASSEMBLY	61	36	66215	COVER ASSEMBLY, CRANKCASE FRONT END	45	27
62742	CAM FOLLOWER	61	63	66284	BASE, ENGINE MOUNT	53	16
62745A1	BRACKET ASSEMBLY, MOUNTING - SHIFT ACTUATOR	67	18	66284	BRACKET, MOUNTING	31	4
62747	CAP, CONTROL VALVE	61	60	66418	BRACKET, MOUNTING - ENGINE (FRONT)	53	7
63037	DIPSTICK	59	4				
63038	COVER, SHIFT ACTUATOR	67	8				
63127A1	FLANGE ASSEMBLY, OIL COOLER	59	25				

PARTS INDEX

Part Number	Description	Pg.	Ref. No.	Part Number	Description	Pg.	Ref. No.
66626	ADAPTOR, ROD END	55	36	75582	CAP, INTERMEDIATE AND FRONT - CRANKSHAFT BEARING	41	7
66981A2	PISTON, SERVO	61	50	75583	CAP, REAR - CRANKSHAFT BEARING	41	6
67282A1	HOUSING ASSEMBLY, PISTON	63	89	75586	DAMPER, TORSIONAL - CRANKSHAFT	45	19
67467	PAD, MOUNTING BRACKET	105	7	75588	CHAIN, DRIVE CHAIN DRIVEN ENGINES	39	13
67859	WATER PUMP ASSEMBLY	45	11	75589	ROD, VALVE PUSH (INLET)	37	8
67861	VALVE, EXHAUST (STANDARD)	37	10	75590	ROD, VALVE PUSH (EXHAUST)	37	8
67862	ROTATOR, EXHAUST VALVE SPRING	37	11	75591	COVER, ROCKER (LEFT) (NOT USED ON LATER ENGINES)	37	1
67993A2	SHAFT, OUTPUT	63	79	75592	COVER, ROCKER (RIGHT) QUANTITY OF 2 ON LATER ENGINES)	37	1
68035	TUBE, OIL LEVEL STERN DRIVE	49	17	75639	OIL PAN(STERN DRIVE)	49	8
68572	VALVE, EXHAUST (.015 O.S.)	37	10	75664	FIELD COIL ASSEMBLY	93	21
68606	ARMATURE	93	16	75664	FIELD COIL ASSEMBLY	99	21
68606	ARMATURE	99	16	75665	ARMATURE	93	16
68606	DRIVE ASSEMBLY, CLUTCH - ARMATURE	93	6	75665	ARMATURE	99	16
68607	ARMATURE	93	16	75666	HOUSING, DRIVE END	93	1
68607	ARMATURE	99	16	75979	GUIDE, PUSH ROD	37	9
68608	DRIVE ASSEMBLY, CLUTCH - ARMATURE	99	6	76668A3	EXHAUST ELBOW ASSEMBLY (STERN DRIVE)	25	10
68609	DRIVE ASSEMBLY, CLUTCH - ARMATURE	93	6	76792	ADAPTOR	33	4
68609	DRIVE ASSEMBLY, CLUTCH - ARMATURE	99	6	76925A3	TRANSMISSION ASSEMBLY, COMPLETE (ELECTRIC SHIFT)	59	-
68620	PLATE, BEARING	93	11	76925A3	TRANSMISSION ASSEMBLY, COMPLETE (ELECTRIC SHIFT)	63	-
68878	HORN	89	10	76925A4	HOUSING ASSEMBLY, TRANSMISSION	59	1
69392	SHIFT ACTUATOR ASSEMBLY (SEE PAGE 48 FOR BREAKDOWN)	67	7	76925A6	TRANSMISSION ASSEMBLY, COMPLETE (MANUAL SHIFT)	59	-
69392	SHIFT ACTUATOR ASSEMBLY, COMPLETE (SEE NOTE BELOW)	69	1	76925A6	TRANSMISSION ASSEMBLY, COMPLETE (MANUAL SHIFT)	63	-
70981	BELLOWS, EXHAUST ELBOW	27	18	77117	ELBOW, EXHAUST (PORT)	27	12
71317A8	STEERING PUMP ASSEMBLY, POWER STEERING (NON METRIC)	55	1	77118	ELBOW, EXHAUST (STARBOARD)	27	12
71587A2	COOLANT RECOVERY SYSTEM (SEE NOTE #1 BELOW)	105	31	77244	PULLEY, TORSIONAL DAMPER (STERN DRIVE)- W/POWER STEERING	45	20
71693	ARMATURE	93	16	77294	BRACKET, IGNITION COIL MOUNTING	11	24
71693	ARMATURE	99	16	77400	COVER, TRANSMISSION HOUSING STERN DRIVE	39	14
71696	HOUSING, DRIVE END	93	1	77448A1	SHAFT ASSEMBLY, INPUT	63	76
71696	HOUSING, DRIVE END	99	1	77453	BRACKET, MOUNTING - FUEL FILTER PLASTIC	15	10
71698	LEVER, SHIFT	95	38	77480	DRIVE PLATE, FLYWHEEL (STERN DRIVE)	41	13
71698	LEVER, SHIFT	101	38				
72609	ARM, ROCKER VALVE	37	17				
72963A1	EXHAUST ELBOW ASSEMBLY INBOARD	25	10				
73782	PLATE, EXHAUST ELBOW TO MANIFOLD (STERN DRIVE)	25	16				
73798	PULLEY, WATER PUMP	79	21				
73867	BRACKET, MOUNTING - OIL FILTER	33	5				
73873	PULLEY, STEERING PUMP	57	2				
74829	PLATE, EXHAUST ELBOW TO MANIFOLD(INBOARD)	25	16				

PARTS INDEX

Part Number	Description	Pg.	Ref. No.	Part Number	Description	Pg.	Ref. No.
77912	OIL COOLER	57	11	86019	HOUSING, FLYWHEEL	29	1
77931	ROD, AUTOMATIC CHOKE (STERN DRIVE)	19	35	86029	ADAPTOR, OIL	83	10
77931	ROD, CHOKE	77	--	86045	TIMER, TEMPERATURE BUZZER	89	9
78403A1	ALTERNATOR ASSEMBLY (SEE NOTE BELOW)	3	19	86047A1	BUZZER HOUSING ASSEMBLY	89	8
78403A1	ALTERNATOR ASSEMBLY, COMPLETE (MOTOROLA)	91	-	86247	FUEL PUMP ASSEMBLY	15	1
78525	GAUGE, OIL LEVEL (DIPSTICK) STERN DRIVE	49	18	86890A1	TUBE ASSEMBLY, OIL LEVEL GAUGE INBOARD	49	17
78610A1	ADAPTOR ASSEMBLY, OIL FILTER	33	5	87090	BRACKET, MOUTING - HARNES AND CIRCUIT BREAR	9	4
78610A1	ADAPTOR, OIL FILTER	83	1	87353	GAUGE, OIL LEVEL (DIPSTICK) INBOARD	49	18
78914	BRACE, STARTER MOTOR STERN DRIVE	3	5	87631	COVER, WATER PUMP	79	2
78985A1	THERMOSTAT HOUSING ASSEMBLY(INBOARD)	27	1	87690	SEAL, FLYWHEEL HOUSING COVER	29	12
79205	DRIVE ASSEMBLY, CLUTCH - ARMATURE	93	6	87813A1	PUMP ASSEMBLY	59	12
79205	DRIVE ASSEMBLY, CLUTCH - ARMATURE	99	6	87814A2	PUMP ASSEMBLY, GEROTOR (ALSO INCLUDES REF. #12)	59	22
79206	HOUSING, DRIVE END	93	1	89876	BASE, FUEL FILTER	15	8
79206	HOUSING, DRIVE END	99	1	89902	SOLENOID SWITCH ASSEMBLY	101	48
79211	FRAME, COMMUTATOR END - LOWER	93	24	90507A1	STEERING PUMP ASSEMBLY, POWER STEERING (METRIC)	55	1
79211	FRAME, COMMUTATOR END - LOWER	99	24	90806	OIL PRESSURE SENDER ASSEMBLY	3	15
79212	FIELD COIL ASSEMBLY	93	21	91021A1	BRACKET, MOUNTING - THROTTLE CABLE (STERN DRIVE)	17	24
79212	FIELD COIL ASSEMBLY	99	21	91823A3	DISTRIBUTOR ASSEMBLY, COMPLETE	11	1
79396	PLATE, BEARING	93	11	93477	OIL PAN(STERN DRIVE)	49	8
79396	PLATE, BEARING	99	11	94576	WEAR PLATE	79	12
79468A1	THERMOSTAT HOUSING ASSEMBLY(STERN DRIVE)	27	1	94846	OIL PUMP	49	1
79550	BRACKET, MOUNTING - ENGINE	31	1	94916	WEAR PLATE	79	7
79605A1	BRACKET, MOUNTING (PORT)	105	5	97258	WATER TEMPERATURE SENDER ASSEMBLY	3	12
79606A1	BRACKET, MOUNTING (STARBOARD)	105	6	N.S.S.	>INSERT, FLOAT BOWL(ROCHESTER#7034361)	23	39
79607A1	FRESH WATER COOLING KIT	105	1	N.S.S.	AIR HORN ASSEMBLY	21	1
808693A1	OIL PUMP	49	1	N.S.S.	BAFFLE, FLOAT BOWL(ROCHESTER#7031365)	21	24
809772T	PICK-UP TUBE	49	NA	N.S.S.	BRACKET ASSEMBLY, VACUUM CONTROL(ROCHESTER#17060265)	21	29
85011A1	BRACKET ASSEMBLY, PUMP	57	22	N.S.S.	CHOKE SHAFT AND LEVER ASSEMBLY(ROCHESTER#7036059)	21	18
85013	BRACE, ALTERNATOR ADJUSTING	5	25	N.S.S.	COLLAR, CLUTCH DRIVE (DELCO REMY#1904443)	93	9
85785	FLAME ARRESTOR, CARUBRETOR	17	17	N.S.S.	COLLAR, CLUTCH DRIVE (DELCO REMY#1904443)	99	9
85787	SHIFT ARM. TRANSMISSION	85	15	N.S.S.	CONNECTOR, FIELD COIL LEAD SCREW (DELCO REMY #1963519)	103	71
85788	SHIFT CRANK	85	19				
85789	BRACKET, SHIFT	85	25				
85805	OIL PUMP	49	1				
85805	OIL PUMP(INBOARD)	49	1				
85820A1	SHIFT ROD ASSEMBLY	85	14				
85821A1	BRACKET, REVERSE LOCK VALVE	85	7				
86014A1	COVER, FLYWHEEL HOUSING	29	2				

PARTS INDEX

Part Number	Description	Pg.	Ref. No.	Part Number	Description	Pg.	Ref. No.
N.S.S.	CONTROL ASSEMBLY, VACUUM(ROCHESTER#7038237) ..	21	31	N.S.S.	SCREW, THROTTLE BODY TO FLOAT BOWL(ROCHESTER#7035790) ..	23	53
N.S.S.	COVER, SOLENOID SWITCH (DELCO REMY#1963525) .	95	51	N.S.S.	SCREW, VACUUM CONTROL BRACKET TO FLOAT BOWL(ROCHESTER#70319)	21	30
N.S.S.	FLOAT BOWL ASSEMBLY ..	23	40	N.S.S.	SHOE, POLE - FIELD COIL (DELCO REMY #1931129)	99	17
N.S.S.	HOLDER KIT, SECONDARY METERING ROD(ROCHESTER#7034522) ..	21	3	N.S.S.	SHOE, POLE - FIELD COIL (DELCO REMY #810601) .	99	17
N.S.S.	HOSE, VACUUM(ROCHESTER#7026339) ..	23	32	N.S.S.	SHOE, POLE - FIELD COIL (DELCO REMY#1931129) .	93	17
N.S.S.	LEVER, ACTUATING - PUMP(ROCHESTER#7048169) ..	21	8	N.S.S.	SPRING, IDLE STOP SCREW(ROCHESTER#7003176) ..	23	42
N.S.S.	LEVER, AIR VALVE LOCKOUT (ROCHESTER#7037968) .	21	2	N.S.S.	SPRING, METERING ROD - PRIMARY(ROCHESTER#7029862) ..	23	34
N.S.S.	LEVER, INTERMEDIATE CHOKE(ROCHESTER#7031231) ..	21	23	N.S.S.	SPRING, POWER PISTON(ROCHESTER#7029529) ..	23	38
N.S.S.	METERING ROD, SECONDARY(INBOARD)- ROCHESTER#7045782 ..	21	4	N.S.S.	STUD, SHIFT LEVER TO DRIVE END HOUSING ...	101	41
N.S.S.	METERING ROD, SECONDARY(STERN DRIVE)- ROCHESTER#17053531 .	21	4	N.S.S.	THROTTLE BODY ASSEMBLY	23	50
N.S.S.	PIN, HINGE - FLOAT(ROCHESTER#7029856) ..	21	22	N.S.S.	VALVE, CHOKE - CHOKE SHAFT(ROCHESTER#7036021) ..	21	19
N.S.S.	PLATE, BEARING (DELCO REMY #1956939)	99	11	2-64346	HOSE, OIL COOLER TO METERING HSG. - INBOARD	87	5
N.S.S.	POWER PISTON ASSEMBLY(ROCHESTER#7034637) ..	23	33	5-33307	CLIP, SWITCH TERMINAL STUD	97	63
N.S.S.	RETAINER, POWER PISTON	23	35	10-20031	SCREW, COVER TO ENGINE (1/2") STERN DRIVE	39	17
N.S.S.	RETAINER, PUMP DISCHARGE BALL(ROCHESTER#7029849) ..	23	36	10-20031	SCREW, COVER TO FLYWHEEL HOUSING (1/2")	29	3
N.S.S.	ROD, CHOKE(ROCHESTER#7031394) ..	21	25	10-20031	SCREW, SOLENOID TO ELECTRICAL COMPARTMENT (1/2") ...	7	24
N.S.S.	ROD, PUMP(ROCHESTER#7026138) ..	23	48	10-20055	SCREW, GROUND CABLE TO ALTERNATOR	3	20
N.S.S.	ROD, VACUUM CONTROL(ROCHESTER#7038167) ..	21	27	10-20359	SCREW, OIL COOLER MOUNTING BRACKET ...	57	16
N.S.S.	SCREW, AIR HORN TO FLOAT BOWL (1")- ROCHESTER#7014699 ..	21	6	10-20359	SCREW, OIL FILTER ADAPTOR ATTACHING (1")	33	11
N.S.S.	SCREW, AIR HORN TO FLOAT BOWL (3")- ROCHESTER#7029912 ..	21	7	10-20639	SCREW, CABLE TO ADAPTOR	73	32
N.S.S.	SCREW, AIR HORN TO FLOAT BOWL (3/8")- ROCHESTER#7031105 ..	21	5	10-20639	SCREW, FUEL FILTER TO MOUNTING BRACKET (1/2") METAL	15	11
N.S.S.	SCREW, CHOKE VALVE TO CHOKE SHAFT(ROCHESTER#7029866) ..	21	20	10-20639	SCREW, SHIFT CABLE TO ADAPTOR (1 1/8")	75	18
N.S.S.	SCREW, IDLE STOP(ROCHESTER#7002121) ..	23	41	10-21335	SCREW, CLAMP TO ADAPTOR HOUSING (7/8")	13	8
N.S.S.	SCREW, POLE SHOE TO FIELD COIL (DELCO REMY #1968396)	99	18	10-22485	SCREW, REVERSE LOCK VALVE TO BRACKET (3/4")	85	4

PARTS INDEX

Part Number	Description	Pg.	Ref. No.	Part Number	Description	Pg.	Ref. No.
10-22958	SCREW, THROTTLE CABLE TO CARBURETOR (1 1/8")	17	11	10-31832	SCREW, MOUNTING BRACKET TO TRANSOM PLATE (1")	55	25
10-24233	SCREW, TERMINAL BLOCK AND COVER TO BRACKET (1 3/8")	67	13	10-31984	SCREW, PUMP TO TRANSMISSION HOUSING (1 3/8")	59	19
10-24963	SCREW, SOLENOID SWITCH TO DRIVE END HOUSING	95	47	10-32132	SCREW, STEERING PUMP TO BRACKET (1 3/4")-NON METRIC	57	4
10-24963	SCREW, SOLENOID SWITCH TO DRIVE END HOUSING	101	47	10-32132	SCREW, TRANSMISSION HOUSING TO ENGINE (1 3/4")	59	7
10-25299	SCREW, BRACKET ATTACHING	85	12	10-32132	SCREW, WATER PUMP TO CYLINDER BLOCK (1 3/4")	45	15
10-25299	SCREW, IGNITION COIL ATTACHING (3/4")	11	29	10-32417	SCREW, ARM ATTACHING	85	17
10-25299	SCREW, MOUNTING BRACKET TO CONTROL VALVE (3/4")	67	25	10-32417	SCREW, LINK AND CAM TO CONTROL SHAFT (5/8")	61	57
10-26066	SCREW, FUEL FILTER TO MOUNTING BRACKET (1 1/4") PLASTIC	15	11	10-33231	SCREW, COVER TO ENGINE (1/2") STERN DRIVE	39	15
10-26486	SCREW, EXHAUST MANIFOLD TO CYLINDER HEAD (2 3/8")	25	6	10-33248	SCREW, COVER TO SOLENOID SWITCH (7/16")	97	67
10-26487	SCREW, PUMP BRK. TO MOUNTING BRK.	57	23	10-33248	SCREW, COVER TO SOLENOID SWITCH (7/16")	103	67
10-26595	SCREW, ADAPTOR HOUSING FASTENING (3/4")	13	13	10-33250	SCREW, SUPPORT TO FIELD FRAME	95	33
10-27165	BOLT, PULLEY TO DAMPER (INBOARD)	45	24	10-33286	BOLT, THRU - COMMUTATOR END TO DRIVE END HOUSING	95	25
10-27165	SCREW, CLIP ATTACHING STERN DRIVE	49	23	10-33286	BOLT, THRU - COMMUTATOR END TO DRIVE END HOUSING	101	25
10-27165	SCREW, RETAINER BRACKET TO CYLINDER HEAD (3/4") - STARBOARD	13	29	10-33296	BOLT, THRU - COMMUTATOR END TO DRIVE END HOUSING	95	25
10-27337	SCREW, IGNITION COIL TO ELECTRICAL COMPARTMENT	7	7	10-33296	BOLT, THRU - COMMUTATOR END TO DRIVE END HOUSING	99	25
10-28635	SCREW, COVER TO FLYSHEEL HOUSING (5/8")	29	3	10-33389	SCREW, THERMOSTAT HOUSING ATTACHING (4 1/4")	27	10
10-28642	SCREW, WATER PUMP SLEEVE	79	3	10-33524	SCREW, CLIP TO BRACKET (5/8") INBOARD	51	23
10-28701	SCREW, CARBURETOR MOUNTING (3 1/2")	77	--	10-34277	BOLT, CAMSHAFT GEAR GEAR DRIVEN ENGINES	39	11
10-28701	SCREW, CARBURETOR MOUNTING (STERN DRIVE)	17	8	10-34277	SCREW, CRANKCASE FRONT END COVER TO CYLINDER BLOCK (7/16")	45	31
10-28713	SCREW, SOLENOID SWITCH TO DRIVE END HOUSING	95	47	10-34290	SCREW, SHIFT ACTUATOR TO MOUNTING BRACKET (5/8")	67	21
10-28713	SCREW, SOLENOID SWITCH TO DRIVE END HOUSING	101	47	10-34353	BOLT, PULLEY TO DAMPER (1")-STERN DRIVE-W/POWER STEERING	45	24
10-29198	SCREW, ALTERNATOR BRACE (7/8")-INBOARD	5	26	10-34353	SCREW, ALTERNATOR BRACKET TO EXHAUST MANIFOLD (1")	5	34
10-30902	SCREW, CUT-OUT SWITCH (3/4")	85	33	10-34353	SCREW, BRACE TO ENGINE (1") - WITH POWER STEERING	81	39
10-30902	SCREW, SWITCH TO CONTROL VALVE CAP (3/4")	67	24				
10-31381	SCREW, BRACE TO ENGINE (1")-INBOARD	5	30				

PARTS INDEX

Part Number	Description	Pg.	Ref. No.	Part Number	Description	Pg.	Ref. No.
10-34353	SCREW, MOUNTING BRACKET TO ENGINE (1")	105	8	10-37269	SCREW, CLAMPING - MOUNTING BRACKET (2")	53	11
10-34354	SCREW, BRACE TO ENGINE (1")	81	39	10-37510	BOLT, INTAKE MANIFOLD TO CYLINDER BLOCK (1 1/4")	45	5
10-34354	SCREW, LIFTING EYE ATTACHING (1 1/2")	45	8	10-37612	SCREW, CLAMPING (1 1/4")	55	13
10-34354	SCREW, TRANSMISSION HOUSING TO ENGINE (1 1/2")	59	7	10-37612	SCREW, EXHAUST MANIFOLD TO CYLINDER HEAD (1 1/4")	25	6
10-34354	SCREW, WATER PUMP BRACKET	79	34	10-37612	SCREW, MOUNTING BRACKET TO ENGINE (1 1/4")	31	2
10-34500	SCREW, OIL PAN TO CYL. BLOCK (1/4 - 20 X 7/8)	49	14	10-37612	SCREW, MOUNTING BRACKET TO ENGINE (1 1/4") PORT SIDE	31	2
10-34505	BOLT, CAMSHAFT SPROCKET CHAIN DRIVEN ENGINES	39	11	10-37612	SCREW, RETAINER ATTACHING (1 1/4")	11	36
10-34545	SCREW, STARTER MOTOR TO CYLINDER BLOCK (4 21/32")-STERN DRIV	3	7	10-37655	SCREW, TERMINAL BLOCK (1/2")	85	10
10-35091	SCREW, DRIVE PLATE TO FLYWHEEL	41	14	10-40001194	SCREW, PUMP BRK. TO MOUNTING BRK. (METRIC)	57	23
10-35169	SCREW, FUEL PUMP TO CYLINDER BLOCK (1 1/8")	15	2	10-40001203	SCREW, STEERING PUMP TO BRACKET (METRIC)	57	4
10-35366	SCREW, ROCKER COVER TO CYLINDER HEAD (1/2")	37	5	10-45102	SCREW, IGNITION COIL CLAMPING (2 3/8")	7	2
10-35386	SCREW, ALTERNATOR BRACE (1")-WITHOUT POWER STEERING	5	26	10-45103	SCREW, IGNITION COIL CLAMPING (2")	7	2
10-35386	SCREW, BRACKET TO MANIFOLD	17	25	10-45218	SCREW, GROUND WIRE TO SWITCH BOX (3/8")	7	32
10-35386	SCREW, CONTROL VALVE TO TRANSMISSION HOUSING (1")	61	51	10-45546	SCREW, FIELD COIL LEAD TO SOLENOID SWITCH (1")	97	69
10-35386	SCREW, END CAP TO EXH. MAN. (1")	25	9	10-45546	SCREW, FIELD COIL LEAD TO SOLENOID SWITCH (1")	103	69
10-35386	SCREW, PUMP TO TRANSMISSION HOUSING (1")	59	19	10-46718	SCREW, WIRING HARNESS PLATE TO MOUNTING BRACKET (3/4")	7	28
10-35585	SCREW, BRACKET TO FLYWHEEL HOUSING (3/4")	71	10	10-46718	SCREW, WIRING HARNESS PLATE TO MOUNTING BRACKET (3/4")	9	3
10-35585	SCREW, BRACKET TO FLYWHEEL HSG. (3/4")	75	24	10-46888	SCREW, BRUSH LEAD TO FIELD FRAME BRUSH (8-18 X 5/8")	95	29
10-35765	SCREW, BRACE TO ENGINE (5/8") STERN DRIVE	3	6	10-47220	SCREW, COVER ATTACHING (3/8")	69	15
10-35786	SCREW, BRACE TO BRACKET	81	36	10-47258	SCREW, OIL COOLER BRACKET TO ENGINE	83	30
10-35786	SCREW, BRACE TO WATER PUMP BRACKET	81	36	10-47258	SCREW, OIL COOLER BRACKET TO ENGINE (5/8")	35	39
10-35787	SCREW, ALTERNATOR BRACKET TO EXHAUST MANIFOLD (2 1/4")	5	34	10-47277	SCREW, OIL COOLER BRACKET TO ENGINE	83	28
10-35787	SCREW, TRANSMISSION HOUSING TO ENGINE (2 1/4")	59	7	10-47277	SCREW, OIL COOLER BRACKET TO ENGINE (3/4")	33	26
10-36046	SCREW, HARNESS TO TERMINAL BLOCK (1/4")	67	17	10-47277	SCREW, PULLEY TO WATER PUMP (3/4")	45	17

PARTS INDEX

Part Number	Description	Pg.	Ref. No.	Part Number	Description	Pg.	Ref. No.
10-47409	SCREW, ADAPTOR ATTACHING	33	4A	10-48948	SCREW, WATER PUMP BRACKET TO ENGINE	79	31
10-47461	SCREW, (1") - SEE NOTE BELOW	105	8A	10-49101	BOLT, PULLEY AND TORSIONAL DAMPER TO CRANKSHAFT	45	21
10-47461	SCREW, BRACE TO ENGINE (1") WITH POWER STEERING	5	30	10-49105	BOLT, CYLINDER HEAD TO CYLINDER BLOCK (4 1/8")	37	23
10-47461	SCREW, BRACE TO ENGINE (WITHOUT POWER STEERING)	81	39	10-49147	BOLT, CRANKSHAFT BEARING CAP TO CYLINDER BLOCK (3 3/8")	41	8
10-47461	SCREW, WATER PUMP BRACKET ATTACHING (1")	79	29	10-49845	SCREW, FLYWHEEL TO CRANKSHAFT	41	11
10-47462	SCREW, BRACKET TO TRANSMISSION (1 1/4") V-DRIVE	53	2	10-49956	SCREW, OIL PAN DRAIN STERN DRIVE	49	10
10-47462	SCREW, STARTER MOTOR TO CYLINDER BLOCK (1 1/4")-INBOARD	3	7	10-52192	BOLT, CONNECTING ROD CAP	41	17
10-47618	SCREW, CIRCUIT BREAKER TO BRACKET (1")	7	11	10-52498	SCREW, ELECTRICAL COMPARTMENT TO ENGINE (1 1/2")	7	34
10-47618	SCREW, CIRCUIT BREAKER TO BRACKET (1")	9	16	10-52498	SCREW, MOUNTING BRACKET ATTACHING (1 1/4")	9	5
10-47618	SCREW, TRIGGER ATTACHING (1")	13	11	10-52743	SCREW, CARBURETOR MOUNTING (3 3/4")	77	--
10-47651	SCREW, BRACE TO ENGINE (1 1/2") WITHOUTH POWER STEERING	5	30	10-52904	SCREW, BRUSH LEAD TO FIELD FRAME BRUSH (8-18 X 5/8")	101	29
10-47651	SCREW, BRACKET TO CYLINDER BLOCK (1 1/2")	57	7	10-53016	SCREW, END CAP?CONNECTOR (1 1/4")-METAL BRACKET	25	9
10-47654	SCREW, CLAMPING - MOUNTING BRACKET (2 3/4") V-DRIVE	53	4	10-53016	SCREW, OUTPUT HOUSING TO TRANSMISSION HOUSING (1 1/4")	63	101
10-47828	SCREW, WATER SEPARATION TUBE INBOARD	25	--	10-53192	SCREW, CAM FOLLOWER TO CAP (1/2")	61	64
10-48115	SCREW, THERMOSTAT HOUSING ATTACHING (3 1/2")	105	11	10-53576	SCREW, SHIFT BRACKET ATTACHING	85	26
10-48266	SCREW, FIELD COIL LEAD TO SOLENOID SWITCH (7/16")	97	69	10-53787	SCREW, BRACKET TO ELECTRICAL COMPARTMENT (3/8")	7	17
10-48266	SCREW, FIELD COIL LEAD TO SOLENOID SWITCH (7/16")	103	69	10-54528	SCREW, DISTRIBUTOR CLAMP ATTACHING (1")	13	20
10-48308	SCREW, ALTERNATOR TO ALTERNATOR BRACKET (3 3/4")	5	36	10-54528	SCREW, DISTRIBUTOR CLAMP ATTACHING (7/8")	11	21
10-48424	SCREW, BRACKET TO ENGINE	57	19	10-54786	BOLT, OIL FILTER ADAPTOR STERN DRIVE	47	34
10-48424	SCREW, FLYWHEEL HOUSING TO ENGINE (1 5/8")	29	6	10-54786	SCREW, ADAPTOR TO ENGINE	33	3
10-48424	SCREW, MOUNTING BRACKET TO ENGINE (1 5/8")	31	2	10-55714	SCREW, OIL PAN TO BLOCK (5/16 - 18 X 7/8) INBOARD	49	12
10-48424	SCREW, MOUNTING ENGINE TO BRACKET (3/8 - 16 X 5/8")	33	6	10-55715	SCREW, OIL PAN TO BLOCK (1/4 - 20 X 7/8) INBOARD	49	14
				10-57357	SCREW, CLAMPING - MOUNTING BRACKET (2 1/4") INBOARD	53	4
				10-57968	SCREW, ADJUSTING - MOUNTING BRACKET (3")	55	27
				10-58640	SCREW, ELBOW TO TRANSOM PLATE (2 1/4")	27	13

PARTS INDEX

Part Number	Description	Pg.	Ref. No.	Part Number	Description	Pg.	Ref. No.
10-60106	SCREW, TRANSMISSION FLANGE TO PROPELLER FLANGE (1 1/4")	71	14	10-69028	SCREW, STOP (3/4")	67	19
10-60106	SCREW, TRANSMISSION FLANGE TO PROPELLER FLANGE (1 1/4")	77	32	10-69054	SCREW, STARTER SOLENOID TO MOUNTING BRACKET (5/8")	9	9
10-60169	SCREW, FLANGE TO PROPELLER SHAFT (3/4")	71	13	10-72607	SCREW, OIL PAN TO CYL. BLOCK (5/16 - 18 X 7/8) STERN DRIVE	49	12
10-60169	SCREW, FLANGE TO PROPELLER SHAFT (3/4")	77	31	10-73657	SCREW, ALTERNATOR BRACE (1 1/2")-WITH POWER STEERING	5	26
10-60170	SCREW, FLANGE TO PROPELLER SHAFT (1") .	75	31	10-73657	SCREW, END CAP/CONNECTOR (1 1/2")- PLASTIC BRACKET	25	9
10-60170	SCREW, FLANGE TO PROPELLOR SHAFT (1") .	71	13	10-75659	SCREW, BEARING PLATE ATTACHING	93	14
10-60171	SCREW, FLANGE TO PROPELLER SHAFT (1 1/4")	71	13	10-75659	SCREW, BEARING PLATE ATTACHING	99	14
10-60171	SCREW, FLANGE TO PROPELLER SHAFT (1 1/4")	75	31	10-76926	BOLT, PULLEY TO DAMPER (7/8")-STERN DRIVE-W/O POWER STEERING	45	24
10-60179	SCREW, TRANSMISSION TO ENGINE (3 1/2")	71	2	10-79209	SCREW, BEARING PLATE ATTACHING	93	14
10-60179	SCREW, TRANSMISSION TO ENGINE (3 1/2")	75	2	10-79209	SCREW, BEARING PLATE ATTACHING	99	14
10-60300	SCREW, COVER TO TRANSMISSION HOUSING (3/4")	59	34	10-86402	SCREW, OIL ADAPTOR TO CYLINDER BLOCK (2 1/2")	83	11
10-60300	SCREW, PUMP ATTACHING (3/4")	59	23	10-86403	SCREW, OIL ADAPTOR TO CYLINDER BLOCK (3 1/2")	83	11
10-60684	SCREW, POLE SHOE TO FIELD COIL	93	18	11-20083	NUT, SHIFT LEVER TO TRANSMISSION	71	24
10-60685	SCREW, BRUSH LEAD TO FIELD FRAME BRUSH . . .	95	29	11-20083	NUT, SHIFT LEVER TO TRANSMISSION	75	10
10-60685	SCREW, BRUSH LEAD TO FIELD FRAME BRUSH . . .	101	29	11-20083	NUT, STARTER SOLENOID TERMINAL (5/16-24)	7	21
10-62568	SCREW, TERMINAL BLOCK (3/8")	85	9	11-20190	NUT, THROTTLE CABLE SCREW	17	16
10-62679	SCREW, ADJUSTING - CLUTCH BAND	63	70	11-20586	NUT, FLAME ARRESTOR STUD	17	19
10-63328	SCREW, COVER TO BODY .	79	4	11-20586	NUT, THROTTLE CABLE STUD	19	31
10-63826	SCREW, FLYWHEEL HOUSING TO ENGINE (2 1/2")	29	6	11-20645	NUT OIL, PRESSURED SWITCH TERMINAL (#10) INBOARD	3	17
10-65027	>SCREW, CAP TO CONTROL VALVE (1")	61	61	11-20645	NUT, IGNITION COIL SCREW	7	6
10-66137	SCREW, FLANGE TO TRANSMISSION HOUSING (1/2")	59	26	11-20645	NUT, OIL PRESSURE SENDER TERMINAL (#10)	3	17
10-66652	SCREW, BRACKET TO IGNITION COIL (1 1/2") . .	11	25	11-20645	NUT, STARTER SOLENOID TERMINAL (10-32)	7	23
10-68101	SCREW, MOUNTING BRACKET TO ENGINE (1 3/8")	53	8	11-20645	NUT, TERMINAL BLOCK AND COVER SCREW	67	11
10-69013	SCREW, HORN ATTACHING	89	11	11-20645	NUT, WATER TEMPERATURE SENDER TERMINAL (#10)	3	14
10-69028	SCREW, CLAMPING BRACKET (3/4")	33	24	11-20664	NUT, COVER STUD	7	43
10-69028	SCREW, CLAMPING BRACKET (3/4")	35	37	11-20696	NUT, ELECTRICAL COMPARTMENT SCREW	7	35
10-69028	SCREW, CLAMPING BRACKET (3/4")	83	22	11-20739	NUT, JAM - MOUNTING BRACKET	31	5
				11-20739	NUT, JAME - ENGINE MOUNT BASE	53	17

PARTS INDEX

Part Number	Description	Pg.	Ref. No.	Part Number	Description	Pg.	Ref. No.
11-20890	NUT, ALTERNATOR TERMINAL	5	24	11-34932	NUT, SHIFT BRACKET TO SHIFT CRANK STUD	85	24
11-20890	NUT, CRANK ARM	69	14	11-35814	NUT, FUEL FILTER SCREW	15	13
11-20890	NUT, STARTER MOTOR BRACE STERN DRIVE . . .	3	4	11-35888	NUT, SHIFT BRACKET STUD	85	31
11-21612	NUT, JAM - ADJUSTING SCREW	63	72	11-35888	NUT, SHIFT CRANK STUD .	85	21
11-21612	NUT, JAM - OIL COOLER . .	59	32	11-37493	NUT, CONNECTING ROD CAP BOLT	41	18
11-21825	NUT, FUST STUD	9	25	11-37500	NUT, BAFFLE TO CYLINDER BLOCK STUD AND OIL PUMP STUD	49	7
11-21923	NUT, SWITCH TERMINAL STUD (8-32)	97	65	11-37984	NUT, CABLE GUIDE TUBE AND MOUNTING TUBE . .	55	23
11-21923	NUT, SWITCH TERMINAL STUD (8-32)	103	65	11-45076	NUT, SWITCH BOX TERMINAL	7	31
11-22024	NUT, FLANGE SCREW	71	16	11-45076	NUT, TEMPERATURE SWITCH (10-32)	89	3
11-22024	NUT, FLANGE SCREW	77	34	11-46438	NUT, ADAPTOR STUD	73	31
11-22053	NUT, CLIP SCREW INBOARD	51	26	11-46438	NUT, CIRCUIT BREAKER SCREW	7	15
11-23161	NUT, ALTERNATOR BRACKET SCREW	5	39	11-46438	NUT, CIRCUIT BREAKER SCREW	9	21
11-24652	NUT, RETAINER STUD	65	107	11-46438	NUT, SHIFT CABLE ADAPTOR STUD (10-32) .	75	17
11-24656	NUT, TERMINAL BLOCK AND COVER SCREW	67	16	11-46438	NUT, SHIFT CABLE STUD . .	71	9
11-24883	NUT, ADJUSTING SCREW . .	55	29	11-46438	NUT, SHIFT CABLE STUD . .	75	23
11-24883	NUT, BRACE TO BRACKET SCREW	81	38	11-46793	NUT, CARB. (2 USED ON STERN DRIVE; 6 USED ON INBOARD)	17	10
11-24883	NUT, BRACE TO BRACKET SCREW	81	38	11-46793	NUT, SHIFT CABLE SCREW	73	34
11-25168	NUT, SHIFT ROD STUD	85	16	11-46793	NUT, SHIFT CABLE SCREW (5/16-24)	75	20
11-26419	NUT, STARTER TERMINAL (#8)	3	11	11-46887	NUT, ADAPTOR STUD	71	28
11-26484	NUT, SHIFT LEVER STUD . .	95	43	11-46887	NUT, REVERSE LOCK VALVE SCREW	67	6
11-26484	NUT, SHIFT LEVER STUD . .	101	43	11-46887	NUT, REVERSE LOCK VALVE SCREW	85	6
11-28040	NUT, VALVE ADAPTOR STUD	55	31	11-46887	NUT, SHIFT CABLE ADAPTOR STUD (1/4-28) .	75	14
11-28941	NUT, JAM - FLAME ARRESTOR MOUNTING STUD (BOTTOM)	17	3	11-46887	NUT, STOP SCREW	67	20
11-29488	NUT, TERMINAL BLOCK SCREW	85	11	11-47626	NUT, OIL LEVEL GAUGE TUBE INBOARD	49	20
11-29553	NUT, CLAMPING SCREW . .	53	13	11-49119	NUT, ROCKER VALVE ARM STUD	37	19
11-29553	NUT, CLAMPING SCREW . .	53	6	11-49838	NUT, EXHAUST ELBOW TO EXHAUST MANIFOLD STUD	25	18
11-30506	NUT, CLAMPING BRACKET SCREW	33	25	11-55111	NUT, DUAL ADAPTOR TO POWER STEERING VALVE	55	20
11-30506	NUT, CLAMPING BRACKET SCREW	35	38	11-55983	NUT, JAM - MOUNTING TUBE	55	34
11-30506	NUT, CLAMPING BRACKET SCREW	83	23	11-68219	NUT, CIRCUIT BREAKER TERMINAL	9	--
11-30968	NUT, ALTERNATOR TERMINAL (#10-24)	3	24	11-68219	NUT, HARNESS ATTACHING	73	37
11-30968	NUT, SUPPORT SCREW . . .	95	35	11-68219	NUT, HARNESS ATTACHING	77	37
11-30968	NUT, SUPPORT SCREW . . .	101	35	11-68219	NUT, IGNITION COIL TERMINAL	11	28
11-32219	NUT, BATTERY AND MOTOR TERMINAL STUD (3/8-16)	97	59	11-68219	NUT, RESISTOR TERMINAL STUD (10-32)	95	55
11-32219	NUT, BATTERY AND MOTOR TERMINAL STUD (3/8-16)	103	59	11-68219	NUT, RESISTOR TERMINAL STUD (10-32)	101	55
11-32219	NUT, BATTERY TERMINAL STUD (3/8-16)	97	61				
11-32219	NUT, BATTERY TERMINAL STUD (3/8-16)	103	61				
11-32219	NUT, FLYWHEEL HOUSING STUD	29	10				

PARTS INDEX

Part Number	Description	Pg.	Ref. No.	Part Number	Description	Pg.	Ref. No.
11-68219	NUT, STARTER SOLENOID TERMINAL (10-32)	9	12	12-22753	WASHER, SHIFT CABLE SCREW	75	19
11-68292	NUT, STARTER SOLENOID TERMINAL (5/16")	9	14	12-22887	WASHER, TERMINAL BLOCK AND COVER SCREW	67	9
11-68411	NUT, MOUNT BRACKET SCREW	57	17	12-22937	WASGER, FLAME ARRESTOR STUD-METAL	17	18
11-68531	NUT, ALTERNATOR TERMINAL	3	24	12-25909	WASHER, RETAINER SCREW	11	37
11-86226	NUT, STARTER TERMINAL (3/8")	3	9	12-26168	WASHER, ALTERNATOR BRACE SCREW	5	27
11-86317	NUT, STEERING PUMP STUD (NON METRIC)	57	10	12-26825	WASHER, OIL COOLER BRACKET SCREW	33	27
11-90517	NUT, STEERING PUMP STUD (METRIC)	57	10	12-26825	WASHER, OIL COOLER BRACKET SCREW	83	29
12-20084	WASHER, CARB. (4 USED ON STERN DRIVE; 6 USED ON INBOARD)	17	9	12-30164	WASHER, CIRCUIT BREAKER SCREW	9	20
12-20084	WASHER, COVER TO BODY SCREW	79	5	12-30164	WASHER, GROUND CABLE SCREW	3	22
12-20084	WASHER, FUEL FILTER SCREW	15	12	12-30164	WASHER, IGNITION COIL TERMINAL	11	26
12-20084	WASHER, IGNITION COIL ATTACHING SCREW	11	30	12-30315	WASHER, BRACKET SCREW (FOR SLOT)	57	9
12-20086	WASHER, OIL FILTER ADAPTOR SCREW	33	13	12-30315	WASHER, WATER PUMP BRACKET SCREW	79	33
12-20128	WASHER, THROTTLE CABLE SCREW	17	15	12-33258	WASHER, LEATHER - COMMUTATOR END FRAME	93	23
12-20346	WASHER, COVER SCREW . .	29	5	12-33258	WASHER, LEATHER - COMMUTATOR END FRAME	99	23
12-20533	WASHER, ADAPTOR STUD . .	71	27	12-33279	WASHER, PLASTIC - COVER SCREW	97	68
12-20533	WASHER, SHIFT CABLE ADAPTOR STUD	75	13	12-33279	WASHER, PLASTIC - COVER SCREW	103	68
12-20553	WASHER, ALTERNATOR BRACKET SCREW	5	38	12-33279	WASHER, PLASTIC - SWITCH TERMINAL STUD (#8)	97	64
12-20553	WASHER, OIL LEVEL TUBE BRACKET INBOARD	51	25	12-33279	WASHER, PLASTIC - SWITCH TERMINAL STUD (#8)	103	64
12-20572	WASHER, BRACE TO ENGINE SCREW	81	40	12-33289	WASHER, BATTERY AND MOTOR TERMINAL STUD (3/8")	97	58
12-20572	WASHER, BRACKET SCREW	57	21	12-33289	WASHER, BATTERY AND MOTOR TERMINAL STUD (3/8")	103	58
12-20572	WASHER, FLYWHEEL HOUSING TO ENGINE SCRES	29	8	12-34714	WASHER, BRACE TO ENGINE SCREW	81	40
12-20583	WASHER, REVERSE LOCK VALVE	67	5	12-37407	WASHER, IGNITION COIL SCREW	7	3
12-20583	WASHER, REVERSE LOCK VALVE SCREW	85	5	12-37985	WASHER, CABLE GUIDE TUBE AND MOUNTING TUBE	55	22
12-20722	WASHER, SHIFT LEVER TO TRANSMISSION	71	22	12-39143	WASHER, SHIFT BRACKET STUD	85	30
12-20722	WASHER, SHIFT LEVER TO TRANSMISSION	75	8	12-45728	WASHER, SEALING - PUMP SCREW	59	20
12-20959	WASHER, VALVE ADAPTOR STUD	55	30	12-47523	WASHER, ADAPTOR SCREW	33	4B
12-21249	WASHER, COVER STUD . . .	7	42	12-47960	WASHER, CIRCUIT BREAKER SCREW	7	14
12-21631	WASHER, THROTTLE CABLE BRACKET SCREW AND STUD	17	26				
12-21631	WASHER, THROTTLE CABLE STUD	19	29				
12-22248	WASHER, BRACE TO ENGINE SCREW	5	31				
12-22753	WASHER, CABLE SCREW . .	73	33				

PARTS INDEX

Part Number	Description	Pg.	Ref. No.	Part Number	Description	Pg.	Ref. No.
12-49103	WASHER, PULLEY AND TORSIONAL DAMPER BOLT	45	23	13-26992	LOCKWASHER, PUMP SCREW	59	24
12-49112	WASHER, BAFFLE BOLT	49	7A	13-26992	LOCKWASHER, SHIFT ACTUATOR SCREW	67	22
12-56681	WASHER, ADAPTOR STUD	73	30	13-26992	LOCKWASHER, SHIFT ARM SSCREW	85	18
12-56681	WASHER, SHIFT CABLE ADAPTOR STUD	75	16	13-26992	LOCKWASHER, STARTER MOTOR BRACE STERN DRIVE	3	3
12-56681	WASHER, SHIFT CABLE STUD	71	8	13-26992	LOCKWASHER, STARTER SOLENOID SCREW	7	25
12-56681	WASHER, SHIFT CABLE STUD	75	22	13-26992	LOCKWASHER, STARTER SOLENOID SCREW	9	10
12-56681	WASHER, THROTTLE CABLE SCREW	17	14	13-26993	LOCKWASHER, STARTER SOLENOID SCREW	9	10
12-62684	WASHER, THRUST - OUPUT HOUSING	65	105	13-26993	LOCKWASHER, IGNITION COIL ATTACHING SCREW	11	31
12-62781	WASHER, SEALING - ADJUSTING SCREW	63	71	13-26993	LOCKWASHER, OIL COOLER BRACKET SCREW	35	40
12-68614	WASHER, BEARING PLATE	93	13	13-26993	LOCKWASHER, OIL COOLER BRACKET SCREW	83	31
12-68614	WASHER, BEARING PLATE	99	13	13-26993	LOCKWASHER, OIL PAN SCREW INBOARD	49	13
12-68615	WASHER, SHAFT LEVER STUD	95	42	13-26993	LOCKWASHER, OIL PAN SCREW INBOARD	49	13
12-68615	WASHER, SHIFT LEVER STUD	101	42	13-26993	LOCKWASHER, SHIFT LEVER TO TRANSMISSION	71	23
12-71836	WASHER, CONTROL VALVE SHAFT	61	59	13-26993	LOCKWASHER, SHIFT LEVER TO TRANSMISSION	75	9
12-79643	WASHER, WATER PUMP BRACKET - FOR SLOT	79	30A	13-26993	LOCKWASHER, STARTER SOLENOID TERMINAL (5/16")	7	20
12-86400	WASHER, FLAME ARRESTOR STUD-RUBBERIZED	17	18	13-26993	LOCKWASHER, STARTER SOLENOID TERMINAL (5/16")	9	13
12-86401	WASHER, OIL ADAPTOR SCREW	83	12	13-26995	LOCKWASHER, ADAPTOR HOUSING SCREW	13	14
13-20897	LOCKWASHER, DUAL ADAPTOR NUT	55	19	13-26995	LOCKWASHER, ADAPTOR HOUSING SCREW	13	14
13-22773	LOCKWASHER, SWITCH BOX AND COVER STUD	7	39	13-26995	LOCKWASHER, FIELD COIL LEAD SCREW	97	70
13-26991	LOCKWASHER, ALTERNATOR TERMINAL	3	23	13-26995	LOCKWASHER, FIELD COIL LEAD SCREW	103	70
13-26992	IGNITION COIL SCREW	7	8	13-26995	LOCKWASHER, STARTER TERMINAL (#8)	3	10
13-26992	LOCKWASHER, ALTERNATOR TERMINAL	3	23	13-26995	LOCKWASHER, SWITCH TERMINAL STUD (#8)	97	66
13-26992	LOCKWASHER, BRACKET SCREW	71	11	13-26995	LOCKWASHER, SWITCH TERMINAL STUD (#8)	103	66
13-26992	LOCKWASHER, BRACKET SCREW	75	25	13-26996	LOCKWASHER, ALTERNATOR TERMINAL	3	23
13-26992	LOCKWASHER, CAM SCREW	61	62	13-26996	LOCKWASHER, BEARING PLATE SCREW	93	15
13-26992	LOCKWASHER, COVER SCREW	29	4	13-26996	LOCKWASHER, BEARING PLATE SCREW	99	15
13-26992	LOCKWASHER, COVER SCREW	61	35	13-26996	LOCKWASHER, BRACKET SCREW	7	18
13-26992	LOCKWASHER, COVER SCREW STERN DRIVE	39	18	13-26996	LOCKWASHER, CIRCUIT BREAKER TERMINAL	9	--
13-26992	LOCKWASHER, FLANGE SCREW	59	27	13-26996	LOCKWASHER, DISTRIBUTOR CLAMP FASTENING SCREW	13	9
13-26992	LOCKWASHER, FUSE STUD	9	24	13-26996	LOCKWASHER, GROUND CABLE SCREW	3	21
13-26992	LOCKWASHER, LINK AND CAM SCREW	61	58				
13-26992	LOCKWASHER, OIL PAN SCREW INBOARD	49	15				

PARTS INDEX

Part Number	Description	Pg.	Ref. No.	Part Number	Description	Pg.	Ref. No.
13-26996	LOCKWASHER, HARNESS ATT.	73	36	13-32993	LOCKWASHER, FLANGE SCREW	71	15
13-26996	LOCKWASHER, HARNESS ATTACHING	77	36	13-32993	LOCKWASHER, FLANGE SCREW	77	33
13-26996	LOCKWASHER, IGNITION COIL TERMINAL	11	27	13-32993	LOCKWASHER, MOUNTING BRACKET SCREW	9	6
13-26996	LOCKWASHER, OIL PRESSURE SENDER TERMINAL (#10)	3	16	13-32993	LOCKWASHER, RETAINER BRACKET SCREW (PORT)	13	30
13-26996	LOCKWASHER, OIL PRESSURE SWITCH TERMINAL (#10) INBOARD	3	16	13-32993	LOCKWASHER, STARTER MOTOR SCREW	3	8
13-26996	LOCKWASHER, RESISTOR TERMINAL STUD (#10) ..	95	54	13-32993	LOCKWASHER, TRANSMISSION SCREW .	71	3
13-26996	LOCKWASHER, RESISTOR TERMINAL STUD (#10) ..	101	54	13-32993	LOCKWASHER, TRANSMISSION SCREW .	75	3
13-26996	LOCKWASHER, STARTER SOLENOID TERMINAL (#10)	7	22	13-32993	LOCKWASHER, WATER PUMP BRACKET SCREW	79	32
13-26996	LOCKWASHER, STARTER SOLENOID TERMINAL (#10)	9	11	13-35048	LOCKWAHSER, TRANSMISSION HOUSING SCREW	59	8
13-26996	LOCKWASHER, SUPPORT SCREW	95	34	13-35048	LOCKWASHER, ALTERNATOR BRACKET SCREW	5	35
13-26996	LOCKWASHER, SUPPORT SCREW	101	34	13-35048	LOCKWASHER, BRACE TO ENGINE SCREW	81	41
13-26996	LOCKWASHER, SWITCH BOX TERMINAL	7	30	13-35048	LOCKWASHER, BRACE TO ENGINE SCREW	81	41
13-26996	LOCKWASHER, TEMPERATURE SWITCH (#10)	89	2	13-35048	LOCKWASHER, BRACKET SCREW	57	20
13-26996	LOCKWASHER, TERMINAL BLOCK AND COVER SCREW	67	10	13-35048	LOCKWASHER, DRIVE PLATE SCREW	41	15
13-26996	LOCKWASHER, TERMINAL BLOCK AND COVER SCREW	67	14	13-35048	LOCKWASHER, EXHAUST ELBOW SCREW	27	14
13-26996	LOCKWASHER, TRIGGER ATTACHING SCREW	13	12	13-35048	LOCKWASHER, EXHAUST ELBOW TO EXHAUST MANIFOLD STUD	25	17
13-26996	LOCKWASHER, WATER TEMPERATURE SENDER TERMINAL (#10)	3	13	13-35048	LOCKWASHER, LIFTING EYE SCREW	45	9
13-29402	WAVE WASHER, ADAP. STUD	73	29	13-35048	LOCKWASHER, MOUNTING BRACKET SCREW	31	3
13-29402	WAVE WASHER, SHIFT CABLE ADAPTOR STUD .	75	15	13-35048	LOCKWASHER, MOUNTING BRACKET SCREW	105	9
13-31848	LOCKWASHER, MOUNTING BRACKET SCREW	55	26	13-35048	LOCKWASHER, MOUNTING BRACKET SCREW PORT SIDE	31	3
13-32993	LOCKWASHER, BRACE TO ENGINE SCREW	5	32	13-35048	LOCKWASHER, MOUNTING ENGINE TO BRACKET SCREW	33	7
13-32993	LOCKWASHER, BRACKET SCREW	57	8	13-35048	LOCKWASHER, PULLEY BOLT	45	25
13-32993	LOCKWASHER, BRACKET SCREW V-DRIVE	53	3	13-35048	LOCKWASHER, RETAINER BRACKET SCREW (STARBOARD)	13	30
13-32993	LOCKWASHER, BRACKET SCREW INBOARD	53	3	13-35048	LOCKWASHER, STEERING PUMP SCREW (NON METRIC)	57	5
13-32993	LOCKWASHER, CLAMPING SCREW	53	12				
13-32993	LOCKWASHER, CLAMPING SCREW	53	5				

PARTS INDEX

Part Number	Description	Pg.	Ref. No.	Part Number	Description	Pg.	Ref. No.
13-37272	LOCKWASHER, BRACKET AND RETAINER SCREWS	105	9A	14-66658	TAB WASHER, CLAMPING SCREW	53	18
13-37459	LOCKWASHER, ADJUSTING SCREW	55	28	15-54531	SHIM, INLET VALVE SPRING	37	12
13-37459	LOCKWASHER, BATTERY TERMINAL STUD (3/8")	97	60	16-32027	STUD, RETAINER TO OUTPUT HOUSING	63	97
13-37459	LOCKWASHER, BATTERY TERMINAL STUD (3/8")	103	60	16-33213	STUD, FLAME ARRESTOR MOUNTING - CARBURETOR	17	2
13-37459	LOCKWASHER, BRACE SCREW	81	37	16-33262	STUD, SWITCH TERMINAL (8-32)	97	62
13-37459	LOCKWASHER, BRACE TO BRACKET SCREW	81	37	16-33262	STUD, SWITCH TERMINAL (8-32)	103	62
13-37459	LOCKWASHER, CLAMPING SCREW	55	14	16-33299	STUD, MOTOR TERMINAL (3/8-16)	97	56
13-37459	LOCKWASHER, CLIP SCREW STERN DRIVE	49	24	16-33299	STUD, MOTOR TERMINAL (3/8-16)	101	56
13-37459	LOCKWASHER, FLYWHEEL HOUSING TO ENGINE SCREW	29	7	16-33304	STUD, RESISTOR TERMINAL (10-32)	95	52
13-37459	LOCKWASHER, OIL FILTER ADAPTOR SCREW	33	12	16-33304	STUD, RESISTOR TERMINAL (10-32)	101	52
13-37459	LOCKWASHER, THERMOSTAT HOUSING SCREW	27	11	16-35004	STUD, SHIFT CRANK	85	20
13-37459	LOCKWASHER, THERMOSTAT HOUSING SCREW	105	12	16-35897	STUD, THROTTLE CABLE TO MOUNTING BRACKET (1 11/16")	19	28
13-39107	LOCKWASHER, BRACE SCREW	5	28	16-45536	STUD, BATTERY TERMINAL (3/8-16)	97	57
13-39107	LOCKWASHER, BRACKET SCREW	85	13	16-45536	STUD, BATTERY TERMINAL (3/8-16)	103	57
13-39107	LOCKWASHER, CLIP SCREW INBOARD	51	24	16-46857	STUD, CARBURETOR MOUNTING (STERN DRIVE)	17	7
13-39107	LOCKWASHER, CONTROL VALVE BRACKET SCREW	67	26	16-48268	STUD, SHIFT LEVER TO DRIVE END HOUSING	95	41
13-39107	LOCKWASHER, CONTROL VALVE SCREW	61	52	16-48680	STUD, SHIFT CABLE ADAPTOR TO SHIFT LEVER (1 1/4")	71	26
13-39107	LOCKWASHER, COVER SCREW STERN DRIVE	39	16	16-48680	STUD, SHIFT CABLE ADAPTOR TO SHIFT LEVER (1 1/4")	75	12
13-39107	LOCKWASHER, OUTPUT HOUSING SCREW	63	102	16-49108	STUD, OIL PUMP TO CYLINDER BLOCK	49	2
13-39107	LOCKWASHER, SHIFT BRACKET SCREW	85	27	16-49133	STUD, ROCKER VALVE ARM	37	21
13-39107	LOCKWASHER, WATER PUMP PULLEY SCREW	45	18	16-49144	STUD, CRANKSHAFT BEARING CAP TO CYLINDER BLOCK	41	9
13-39107	LOCKWASHER, WATER PUMP PULLEY SCREW	79	24	16-49545	STUD, EXHAUST MANIFOLD TO ELBOW (1 3/4")	25	2
13-39131	LOCKWASHER< FLYWHEEL SCREW	41	12	16-53722	STUD, CARB. MTG. (4 3/8") INBOARD	17	7
13-40024008	LOCKWASHER, PUMP BRACKET SCREW (METRIC)	57	24	16-53724	STUD, CARB. MTG. (1 3/4")INBOARD	17	7
13-40024008	LOCKWASHER, STEERING PUMP SCREW (METRIC)	57	5	16-54343	STUD, CARBURETOR MOUNTING (1 3/8")	77	--
13-49102	LOCKWASHER, PULLEY AND TORSIONAL DAMPER BOLT	45	22	16-54345	STUD, CARB. MTG. (1 5/16")INBOARD	17	7
13-68102	LOCKWASHER, MOUNTING BRACKET	31	6	16-55109	STUD, ADAPTOR - POWER STEERING VALVE	55	12
				16-63332	STUD, CARB. MTG. (1 1/4") INBOARD	17	7

PARTS INDEX

Part Number	Description	Pg.	Ref. No.	Part Number	Description	Pg.	Ref. No.
16-65941	STUD, SWITCH BOX AND COVER ATTACHING	7	38	22-33821	ELBOW, FUEL LINE TO FUEL PUMP AND FUEL FILTER	15	14
16-72809	STUD, SHIFT BRACKET . . .	85	28	22-36373	PLUG, PIPE - COVER	59	31
16-87163	STUD, SHIFT BRACKET TO SHIFT CRANK	85	22	22-36373	PLUG, PIPE - OIL FILTER ADAPTOR (3/8-18)	33	9
17-20032	PIN, DOWEL - ADAPTOR HOUSING	13	6	22-36373	PLUG, PIPE - TRANSMISSION HOUSING	59	6
17-24198	PIN, PLUNGER TO SHIFT LEVER	95	45	22-36382	PLUG, PIPE - OIL FILTER ADAPTOR (1/4-18)	83	2
17-24800	ROLL PIN, CONTROL SHAFT	61	55	22-37760	ELBOW, OIL COOLER	57	18
17-33257	PIN, DOWEL - FIELD FRAME TO DRIVE END HOUSING	95	37	22-39072	PLUG, CONTROL VALVE	61	38
17-33257	PIN, DOWEL - FIELD FRAME TO DRIVE END HOUSING	101	37	22-39072	PLUG, PIPE - OUTPUT SHAFT	63	78
17-33280	PIN, GROUND AND INSULATED HOLDER TO SUPPORT	95	31	22-45084	FITTING, EXHAUST ELBOW	25	13
17-33280	PIN, GROUND AND INSULATED HOLDER TO SUPPORT	101	31	22-47540	PLUG, PIPE - THERMOSTAT HOUSING	105	13
17-47617	ROLL PIN, GEAR TO DISTRIBUTOR	13	17	22-47540	PLUG, THERMOSTATE HOUSING	27	3
17-52190	PIN, DOWEL - CYLINDER BLOCK TO CYLINDER HEAD	39	3	22-47625	ELBOW, OIL LEVEL GAUGE TUBE TO OIL PAN INBOARD	49	19
17-52798	PIN, CLEVIS - STEERING CABLE AND CLEVIS ATTACHING	55	37	22-47629	ELBOW, HOSE TO OIL COOLER (90)	71	20
17-62730	PIN, LEVER TO CONTROL VALVE	61	41	22-47629	ELBOW, HOSE TO OIL COOLER (90)	71	6
17-79207	PIN, PLUNGER TO SHIFT LEVER	95	45	22-47629	ELBOW, HOSE TO OIL COOLER (90)	75	29
17-79207	PIN, PLUNGER TO SHIFT LEVER	101	45	22-47629	ELBOW, HOSE TO OIL COOLER (90)	75	6
18-46950	COTTER PIN, CLEVIS PIN RETAINING	55	38	22-47629	ELBOW, HOSE TO TRANSMISSION (90)	75	27
19-37478	PLUG, PIPE - CYLINDER BLOCK (1 3/4")	39	-	22-47902	VENT, TRANSMISSION HOUSING	59	2A
19-38606	PLUG, FLYWHEEL HOUSING - LUBRICATION ACCESS	29	11	22-48118	PLUG, EXHAUST MANIFOLD	25	3
19-59504	PLUG, IMPELLER	79	9	22-48166	FITTING, STRAIGHT - REVERSE LOCK VALVE	85	2
19-62753	PLUG, PUMP	59	18	22-48246	ELBOW, HOSE TO ENGINE (90)	33	17
19-94140	PLUG, EXPANSION - CAMSHAFT BEARING HOLE	39	4	22-48336	PLUG, PIPE - INTAKE MANIFOLD	45	6
22-20025	PLUG, PUMP	59	14	22-48336	PLUG, PIPE - WATER PUMP (STERN DRIVE)	45	14
22-31345	FITTING, GREASE - RETAINER	65	108	22-48340	PLUG, PIPE - CYLINDER BLOCK (1/4")	39	-
22-32802	PLUG, EXHAUST ELBOW	25	11	22-48358	PLUG, INTAKE MANIFOLD VACUUM HOLE	17	5
22-32802	PLUG, PIPE - EXHAUST MANIFOLD	25	4	22-48358	PLUG, PIPE - CYLINDER BLOCK (3/8")	39	-
22-32802	PLUG, PIPE - OIL FILTER ADAPTOR (1/8-27)	33	10	22-49146	PLUG, PIPE - CYLINDER BLOCK (3/4")	39	-
22-32802	PLUG, PIPE - WATER PUMP BODY (INBOARD)	81	46	22-52666	ELBOW, REVERSE LOCK VALVE	67	3
22-32876	NIPPLE, SIGHT GLASS TO FUEL PUMP	15	5	22-52666	ELBOW, REVERSE LOCK VALVE	85	3
22-33198A1	PLUG, EXHAUST ELBOW	25	12	22-62910	ELBOW, HOSE (STARBOARD EXHAUST ELBOW) - STERN DRIVE	25	14
22-33198A1	PLUG, THERMOSTAT HOUSING	27	3A	22-62910	FITTING, WATER PUMP BODY	81	44

PARTS INDEX

Part Number	Description	Pg.	Ref. No.	Part Number	Description	Pg.	Ref. No.
22-63067	TEE, FITTING	105	18	23-47797	BUSHING, REVERSE CLUTCH LEVER	61	39
22-63824	ELBOW, HOSE TO TRANSMISSION (90)	71	4	23-49124	THRUST PLATE, CRAMSHAFT GEAR DRIVEN ENGINES	39	--
22-63824	ELBOW, HOSE TO TRANSMISSION (90)	75	4	23-57369	SPACER, WATER PUMP BRACKET - FOR SLOT (5/16" THICK)	79	30A
22-63825	ELBOW, HOSE TO OIL COOLER (90)	33	19	23-57938	BUSHING, THROTTLE CABLE SCREW	17	12
22-63825	ELBOW, HOSE TO OIL COOLER (90)	33	29	23-60652	SLEEVE, ADJUSTING - CABLE GUIDE TUBE	55	15
22-63825	ELBOW, HOSE TO OIL COOLER (90)	83	18	23-60773	SLEEVE, CABLE GUIDE TUBE	55	17
22-63835	ELBOW, HOSE TO TRANSMISSION (45)	71	18	23-61526	SPACER, TERMINAL BLOCK AND COVER SCREW	67	15
22-64013	BUSHING, OIL PRESSURE SENDER	3	18	23-61998	SPACER, CIRCUIT BREAKER GROMMET	9	19
22-66201	CONNECTOR, INTAKE MANIFOLD - BY-PASS HOSE	45	2	23-61998	SPACER, CIRCUIT BREAKER SCREW	7	13
22-66201	CONNECTOR, WATER PUMP - BY-PASS HOSE (INBOARD)	45	13	23-71647	BUSHING, CRANKSHAFT PILOT (STERN DRIVE) . . .	43	22
22-67305	FITTING, GREASE - POWER VALVE	55	11	23-71694	BUSHING, BEARING PLATE	93	12
22-71923	ELBOW, HOSE TO ADAPTOR (45)	33	16A	23-71694	BUSHING, BEARING PLATE	99	12
22-71923	ELBOW, OIL ADAPTOR (45)	83	8	23-72057	SPACER, BRACE TO ENGINE SCREW (WITH POWER STEERING)	81	42
22-73379	PLUG, PIPE - FUEL FILTER .	15	9	23-85684	BEARING UNIT, CAMSHAFT (SET)	39	5
22-75983	PLUG, PIPE - WATER PUMP (INBOARD)	45	14	23-85685	BEARING UNIT, CRANKSHAFT MAIN (.001 U.S.)	41	3
22-87238	DRAIN COCK, WATER - CYLINDER BLOCK	39	2	23-85686	BEARING UNIT, CRANKSHAFT MAIN - REAR (STANDARD)	41	4
22-87543	PLUG, PIPE - OIL PAN DRAIN INBOARD	49	10	23-85687	BEARING UNIT, CRANKSHAFT MAIN - REAR (.001 U.S.)	41	4
23-26954	BUSHING, SHIFT BRACKET STUD - NYLINER	85	23	23-85688	BEARING UNIT, CRANKSHAFT MAIN - REAR (.002 U.S.)	41	4
23-31866	BUSHING, SHIFT BRACKET STUD	85	29	23-85689	BEARING UNIT, CRANKSHAFT MAIN - REAR (.010 U.S.)	41	4
23-31866	SPACER, THROTTLE CABLE STUD	19	30	23-85690	BEARING UNIT, CRANKSHAFT MAIN - REAR (.020 U.S.)	41	4
23-33186	BUSHING, ALTERNATOR TO BRACKET SCREW	5	37	23-85691	BEARING UNIT (PAIR), CONNECTING ROD (.010 U.S.)	43	19
23-33369	BUSHING, DRIVE END HOUSING	93	2	23-85721	BEARING UNIT, CRANKSHAFT MAIN (STANDARD)	41	3
23-33369	BUSHING, DRIVE END HOUSING	99	2	23-85723	BEARING UNIT, CRANKSHAFT MAIN (.002 U.S.)	41	3
23-33369	BUSHING, GEAR END - CLUTCH DRIVE (1 9/16") .	93	7	23-85724	BEARING UNIT, CRANKSHAFT MAIN (.010 U.S.)	41	3
23-33369	BUSHING, GEAR END - CLUTCH DRIVE (1 9/16") .	99	7				
23-34948	BUSHING, THROTTLE CABLE SCREW	17	13				
23-36183	RETAINER, OIL PUMP SHAFT	49	5				
23-36534	SPACER, ALTERNATOR BRACE SCREW-WITH POWER STEERING	5	29				
23-47508	SLEEVE, THERMOSTAT HOUSING	105	14				
23-47511	SLEEVE, THERMOSTATE HOUSING	27	2				

PARTS INDEX

Part Number	Description	Pg.	Ref. No.	Part Number	Description	Pg.	Ref. No.
23-85726	BEARING SET (PAIR), CONNECTING ROD (STANDARD)	43	19	25-68619	GROMMET, FIELD COIL - FIELD FRAME	93	20
23-85727	BEARING UNIT (PAIR), CONNECTING ROD (.001 U.S.)	43	19	25-68619	GROMMET, FIELD COIL - FIELD FRAME	99	20
23-85728	BEARING UNIT (PAIR), CONNECTING ROD (.002 U.S.)	43	19	25-79208	GROMMET, FIELD COIL - FIELD FRAME	93	20
23-85729	BEARING UNIT (PAIR), CONNECTING ROD (.020 U.S.)	43	19	25-79208	GROMMET, FIELD COIL - FIELD FRAME	99	20
23-90520	SPACER, PUMP ASSEMBLY BRACKET SCREW	57	25	25-94288	QUAD SEAL, PUMP HOUSING	79	13
23-90523	SPACER, STEERING PUMP SCREW	57	6	26-49154	OIL SEAL, CRANKCASE FRONT END COVER	45	28
24-32817	SPRING, THROTTLE RETURN	17	27	26-56662	KEY, IMPELLER DRIVE	79	11
24-33050	SPRING, IDLE NEEDLE	23	52	26-72785	OIL SEAL, WATER PUMP SHAFT	79	19
24-33265	SPRING, CONTACT AND PUSH ROD TENSION	95	50	26-73522	SEAL, ADAPTOR	33	2A
24-33265	SPRING, CONTACT AND PUSH ROD TENSION	101	50	26-73522	SEAL, OIL ADAPTOR	83	13
24-33285	SPRING, FIELD FRAME BRUSH	95	36	26-75585	OIL SEAL, REAR CRANKSHAFT BRG. CAP (L.H. ROTATION)	41	5
24-33285	SPRING, FIELD FRAME BRUSH	101	36	26-75980	OIL SEAL, REAR CRANKSHAFT BRG. CAP (R.H. ROTATION)	41	5
24-33368	SPRING, CLUTCH DRIVE	93	8	26-75988	SEAL, VALVE STEM	37	13
24-33368	SPRING, CLUTCH DRIVE	99	8	26-90562	OIL SEAL, WATER PUMP SHAFT	79	15
24-46889	SPRING, PLUNGER RETURN - SOLENOID SWITCH	95	46	27-34213	GASKET, FUEL PUMP TO CYLINDER BLOCK	15	3
24-46889	SPRING, PLUNGER RETURN - SOLENOID SWITCH	101	46	27-46820	GASKET, EXHAUST MANIFOLD TO CYLINDER HEAD	25	5
24-48143	SPRING, FILTER NUT	23	43	27-47510	GASKET, THERMOSTAT HOUSING - MIDDLE	105	16
24-62677	SPRING, SERVO PISTON	61	48	27-48042	GASKET, EXHAUST ELBOW TO EXHAUST MANIFOLD	25	15
24-62790	SPRING, RELIVE VALVE PISTON	59	16	27-48043	GASKET, END CAP/CONNECTOR TO EXHAUST MANIFOLD	25	8
24-75584	SPRING, VALVE	37	14	27-48818	GASKET, THERMOSTAT HOUSING (UPPER)	27	7
24-87734	SPRING, IDLE NEEDLE	23	52	27-48818	GASKET, THERMOSTAT HOUSING - UPPER	105	15
25-33756	RING, SEALING - ADAPTOR AND VALVE	83	16	27-49104	GASKET, CYLINDER HEAD TO CYLINDER BLOCK (2")	37	22
25-33756	RING, SEALING - ADAPTOR AND VALVE ASSEMBLY	33	2	27-49110	GASKET, WATER PUMP MOUNTING	45	12
25-35029	"O" RING, EXHAUST ELBOW TO TRANSOM PLATE	27	17	27-49121	GASKET, ROCKER COVER	37	7
25-37340	"O" RING, PUMP HOUSING	79	13	27-49955	GASKET, OIL PAN DRAIN SCREW STERN DRIVE	49	11
25-38930	GROMMET, RETAINER BRACKET	13	28	27-52184	GASKET, DISTRIBUTOR	11	19
25-47623	GROMMET, COIL LEAD WIRE	13	22A	27-52184	GASKET, DISTRIBUTOR	13	18
25-57009	GROMMET, SWITCH BOX PLATE	7	37	27-52457	GASKET, CARBURETOR	77	--
25-59987	GROMMET, ROCKER COVER TO VENT HOSE CONNECTOR	17	23	27-52457	GASKET, CARBURETOR (FOR INBOARD ENGINE - QUANTITY OF 2)	17	4
25-61999	GROMMET, CIRCUIT BREAKER SCREW	7	12	27-52550	GASKET SET, OIL PAN	49	9
25-61999	GROMMET, CIRCUIT BREAKER SCREW	9	17	27-53045	GASKET, THERMOSTAT HOUSING - LOWER	105	17

PARTS INDEX

Part Number	Description	Pg.	Ref. No.	Part Number	Description	Pg.	Ref. No.
27-54529	GASKET, CRANKCASE FRONT END COVER	45	30	32-55483	HOSE, TEE TO EXHAUST ELBOW (21 1/2")	105	19
27-62724	GASKET, OIL COOLER COVER	59	30	32-57633	TUBE, EXTENDING - POWER STEERING	55	8
27-65184	GASKET SET, INTAKE MANIFOLD	45	10	32-57634	TUBE, RETRACTING - POWER STEERING	55	9
27-71614	GASKET, PRESSURE CAP .	105	3	32-58616A1	TUBE ASSEMBLY, WATER SEPARATION INBOARD .	25	--
27-86015	GASKET, FLYWHEEL HOUSING COVER	29	13	32-60089	HOSE, THERMOSTAT COVER TO EXHAUST ELBOW	87	1
27-94914	GASKET, BODY TO WEAR PLATE	79	8	32-62872	FUEL LINE, FUEL FILTER TO FUEL PUMP (STEEL TUBING)	15	15
27-94915	GAASKET, COVER TO OUTER WEAR PLATE . . .	79	6	32-62873	FUEL LINE< FUEL PUMP TO CARBURETOR (STEEL TUBING)	15	16
28-34466	KEY, CRANKSHAFT GEAR, CAMSHAFT GEAR AND DAMPER	43	21	32-62987--2	HOSE, WATER PUMP TO TRANSMISSION COOLER (34 1/2")	81	45
28-54530	KEY, VALVE STEM	37	16	32-63829	HOSE, MOLDED - OIL COOLER TO OIL COOLER	33	30
30-62697	BALL BEARING, PISTON HOUSING	63	90	32-63829	HOSE, MOLDED - OIL COOLER TO OIL COOLER	83	26
30-62698	BALL BEARING, OUTPUT SHAFT	63	93	32-65231	HOSE, RETURN - POWER STEERING (31")	55	3
30-62699	BALL BEARING, PLANETARY AND CLUTCH DRUM	63	74	32-65929	HOSE, RETURN - POWER STEERING (28")	55	3
30-62780	BALL BEARING, OUTPUT HOUSING	63	98	32-66206	HOSE, BY-PASS - INTAKE MANIFOLD TO WATER PUMP	45	3
30-72961	BALL BEARING, WATER PUMP SHAFT	79	16	32-72837	HOSE, WATER PUMP TO OIL COOLER	79	25
31-66723	BEARING, THRUST - INPUT SHAFT	63	75	32-73820	HOSE, THERMOSTAT HSG. TO REAR END CAP (PORT)	87	2
32-47516--2	HOSE, OIL COOLER TO TRANSMISSION (16 3/4") .	71	19	32-73821	HOSE, THERMOSTAT HSG. TO REAR END CAP (STBD.)	87	3
32-47516--6	HOSE, TRANSMISSION TO OIL COOLER (30")	71	5	32-77482	HOSE, THERMOSTAT HOUSING POWER STEERING	27	21
32-47516--9	HOSE, COOLER TO TRANSMISSION (37") . . .	75	28	32-78103	HOSE, HEAT EXCHANGER TO TEE - MOLDED	105	20
32-47516--9	HOSE, TRANSMISSION TO OIL COOLER (37")	75	5	32-79670	HOSE, HEAT EXCHANGER TO WATER PUMP	105	27
32-48132	HOSE, FRONT END CAP TO THERMOSTAT HSG.	87	4	32-79671	HOSE, OIL COOLER TO HEAT EXCHANGER	105	26
32-48944--2	HOSE, ADAPTOR TO ENGINE (13 1/2")	33	16	32-79672	HOSE, THERMOSTAT HSG. TO REAR CAP (STARBOARD)	105	24
32-48944--6	HOSE, ADAPTOR TO OIL COOLER (30")	33	28	32-79673	HOSE, THERMOSTAT HSG. TO REAR CAP (PORT) . . .	105	23
32-48944--7	HOSE, OIL COOLER TO ENGINE (11")	33	18	32-79674	HOSE, FRONT CAP TO HEAT EXCHANGE (PORT)	105	21
32-48944--7	HOSE, OIL COOLER TO ENGINE (11")	83	17	32-79675	HOSE, FRONT CAP TO HEAT EXCHANGER (STARBOARD)	105	22
32-48944-10	HOSE, ADAPTOR TO OIL COOLER (34")	33	28	32-86217	HOSE, OIL INLET (24")	83	6
32-48944-10	HOSE, OIL OUTLET (34") . .	83	7				
32-48946	HOSE, OIL FILTER ADAPTOR TO ENGINE (15")	33	16				
32-54862	HOSE, OIL COOLER TO PICKUP WATER PUMP (8")	35	41				
32-54862	HOSE, PUMP TO COOLER (8")	83	32				
32-55112	TUBE, CABLE GUIDE	55	21				

PARTS INDEX

Part Number	Description	Pg.	Ref. No.	Part Number	Description	Pg.	Ref. No.
32-89718	HOSE, HOUSING TO CIRCULATING PUMP POWER STEERING	27	4	50-77328A1	STARTER MOTOR ASSEMBLY, COMPLETE	93	-
32-90494	HOSE, PRESSURE - POWER STEERING (60")-METRIC	55	5	50-77328A1	STARTER MOTOR ASSEMBLY, COMPLETE	95	-
32-93315-12	HOSE, VENT - CARBURETOR (9 3/4") -INBOARD	17	20	50-79604A1	STARTER MOTOR ASSEMBLY, COMPLETE	93	-
32-93315-12	HOSE< VENT - CARBURETOR (8 1/4")	17	20	50-79604A3	STARTER MOTOR ASSEMBLY (R.H. ROTATION) INBOARD	3	1
33-48166	FITTING, STRAIGHT - REVERSE LOCK ASSEMBLY	67	2	50-79604A3	STARTER MOTOR ASSEMBLY, COMPLETE	99	-
33-59571	SPARK PLUG (AC#MR43T)	11	33	50-79604A3	STARTER MOTOR ASSEMBLY, COMPLETE	101	-
33-59660	SPARK PLUG (AC-MR 41T)	13	26	50-79821A2	STARTER MOTOR ASSEMBLY, COMPLETE	99	-
35-53336	FILTER, FUEL INLET	23	44	50-79821A2	STARTER MOTOR ASSEMBLY, COMPLETE	101	-
35-60047A1	FLAME ARRESTOR ASSEMBLY	13	5	50-79822A1	STARTER MOTOR ASSEMBLY, COMPLETE	93	-
35-60494A5	FUEL FILTER	15	7	50-79822A1	STARTER MOTOR ASSEMBLY, COMPLETE	95	-
36-55143	CAP, PRESSURE - HEAT EXCHANGER	105	2	50-79822A2	STARTER MOTOR ASSEMBLY, COMPLETE	99	-
37-77258	DECAL, ROCKER COVER "330 HP" (STARBOARD) INBOARD	37	2	50-79822A2	STARTER MOTOR ASSEMBLY, COMPLETE	101	-
37-77259	DECAL, ROCKER COVER "330 HP" (PORT) INBOARD	37	2	50-79823A1	STARTER MOTOR ASSEMBLY, COMPLETE	93	-
37-77556	DECAL, ROCKER COVER "330 HP" (STARBOARD) STERN DRIVE	37	2	50-79823A1	STARTER MOTOR ASSEMBLY, COMPLETE	95	-
37-77557	DECAL, ROCKER COVER "330 HP" (PORT) STERN DRIVE	37	2	53-23720	RING, SNAP - BALL BEARING RETAINER	79	18
39-67127	RING, PISTON (STANDARD)	41	2	53-33290	RING, RETAINING - PINION STOP COLLAR	93	4
39-67128	RING, PISTON (.030 O.S.)	41	2	53-33290	RING, RETAINING - PINION STOP COLLAR	99	4
43-47619	GEAR, DISTRIBUTOR	13	16	53-33354	>RING, RETAINING - SHIFT LEVER SHAFT	101	40
43-49114	GEAR, CRANKSHAFT GEAR DRIVEN ENGINES	39	12	53-33354	RING, RETAINING - SHIFT LEVER SHAFT	95	40
43-67115	GEAR, CAMSHAFT GEAR DRIVEN ENGINES	39	10	54-22740	CLIP, IGNITION COIL LEAD	7	4
43-86481	SPROCKET, CAMSHAFT CHAIN DRIVEN ENGINES	39	10	54-31765	CLAMP, BELLOWS TO EXHAUST ELBOW (LOWER)	27	19
43-86482	SPROCKET, CRANKSHAFT CHAIN DRIVEN ENGINES	39	12	54-31765	CLAMP, HEAT EXCHANGER TO MOUNTING BRACKET	105	4
46-72774	BODY, WATER PUMP (PLASTIC)	79	1A	54-32523	CLAMP, HOSE ATTACHING	81	47
46-72774A32	WATER PUMP ASSEMBLY	79	1	54-32780	CLAMP, HOSE ATTACHING	87	8
46-94913A1	PUMP HOUSING	79	14	54-32780	CLAMP, HOSE ATTACHING	35	42
47-59362A1	IMPELLER ASSEMBLY	79	10	54-32780	CLAMP, HOSE ATTACHING	83	33
50-76965A1	STARTER MOTOR ASSEMBLY, COMPLETE	93	-	54-32780	CLAMP, HOSE ATTACHING	105	28
50-76965A1	STARTER MOTOR ASSEMBLY, COMPLETE	95	-	54-32780	CLAMP, HOSE TO COOLER AND METERING HOUSING - INBOARD	87	7
50-76965A3	STARTER MOTOR ASSEMBLY, COMPLETE	99	-	54-32780	CLAMP, HOSE TO THERMOSTAT HOUSING AND COOLER	27	22
50-76965A3	STARTER MOTOR ASSEMBLY, COMPLETE	101	-	54-32780	CLAMP, MOLDED HOSE ATTACHING	35	33
50-77328A1	STARTER MOTOR ASSEMBLY (L.H. ROTATION) INBOARD	3	1				

PARTS INDEX

Part Number	Description	Pg.	Ref. No.	Part Number	Description	Pg.	Ref. No.
54-32780	CLAMP, MOLDED HOSE ATTACHING	83	27	84-73125A1	HARNESSES, SAFETY SWITCH	73	35
54-32780	CLAMP, WATER PUMP HOSE	79	26	84-78581A3	WIRING HARNESSES, ALTERNATOR	9	28
54-32781	CLAMP, OIL COOLER TO BRACKET	57	12	84-79139A7	JUMPER WIRE, 90 AMP FUSE	9	27
54-33307	CLIP, SWITCH TERMINAL STUD	103	63	84-86044A2	WIRE ASSEMBLY, TAN/BLUE (36")	89	4
54-33683	CLAMP, BELLOWS TO EXHAUST ELBOW (UPPER)	27	20	84-86322A8	WIRE ASSEMBLY, BLACK (8")	89	7
54-35830	CLAMP, HOSE TO STEERING PUMP	55	4	84-86677A2	WIRING HARNESSES (INBOARD)	9	1
54-38426	CLAMP, BY-PASS HOSE ATTACHING	45	4	84-86683A2	WIRING HARNESSES (STERN DRIVE)	9	1
54-47483	"J" CLAMP, CONTROL VALVE SCREW	61	53	84-88032A1	WIRE ASSEMBLY, TAN/BLUE (20")	89	6
54-47513	EYE, LIFTING - REAR	45	7	84-92151A32	LEAD ASSEMBLY, DISTRIBUTOR TO COIL (5")	11	22
54-47528	CLAMP, ADJUSTING TRUNNION SCREW	53	4A	84-92151A36	LEAD ASSEMBLY, HIGH TENSION	11	32
54-47545	CLIP, OIL LEVEL TUBE INBOARD	51	22	84-92151A36	LEAD ASSEMBLY, HIGH TENSION	13	24
54-47715	CLAMP, MOLDED HOSE TO FLYWHEEL HOUSING (STARBOARD)	35	32	85-71006A1	PROTECTOR, SPARK PLUG	13	25
54-47715	CLIP, HOSE TO CYLINDER BLOCK - INBOARD	87	6	85-79695	BOOT, INSULATOR - FUSE STUD	9	26
54-53101	CLAMP, VENT HOSE ATTACHING	17	21	85-79695	INSULATOR BOOT, STARTER TERMINAL	5	40
54-54178	"J" CLIP, WIRING HARNESSES	9	22	86-62993	TERMINAL BLOCK, MOUNTING BRACKET	67	12
54-59989	CLIP, AUTOMATIC CHOKE ROD	19	36	87-88031	SWITCH, OIL TEMPERATURE	89	5
54-64324	CLAMP, HOSE ATTACHING TO OIL COOLER BRACKET	57	13	88-65093	CIRCUIT BREAKER (40 AMP)	9	15
54-64489	CLAMP, HOSE ATTACHING	83	25	88-65093	CIRCUIT BREAKER	7	9
54-64489	CLAMP, MOLDED HOSE TO FLYWHEEL HOUSING (PORT)	33	31	88-78813	CIRCUIT BREAKER (50 AMP)	9	15
54-64628	EYE, LIFTING - FRONT (INBOARD)	45	7	88-79023A55	FUSE ASSEMBLY, 55 AMP	9	23
54-65783A2	CLAMP ASSEMBLY, CAP TO ADAPTOR HOUSING	13	7	88-79023A90	FUSE ASSEMBLY, 90 AMP	9	23
54-68050	CLIP, OIL LEVEL TUBE STERN DRIVE	49	22	89-68258	STARTER SOLENOID	9	8
54-73668	"J" CLIP, WIRING HARNESSES	9	22	125-47960	WASHER, CIRCUIT BREAKER SCREW	9	18
54-79679	CLIP, HOSE	105	29	230-5534	FLYWHEEL ASSEMBLY (INBOARD)	41	10
54-87268	CLAMP, HOSE ATTACHING POWER STEERING	27	5	230-6540	FLYWHEEL ASSEMBLY (STERN DRIVE)	41	10
54-94015	EYE, LIFTING - FRONT (STERN DRIVE)	45	7	332-2854	BOOT, COIL TOWER	13	22
57-74270	V-BELT, STEERING PUMP	57	1	332-2983A17	IGNITION COIL ASSEMBLY	7	1
57-74271	BELT, WATER PUMP	81	43	332-2986A22	SWITCH BOX ASSEMBLY	7	29
57-78200	BELT, ALTERNATOR DRIVE (47")	45	26	390-7000	COVER ASSEMBLY, FRONT	91	7
84-64408	WIRING HARNESSES	7	26	390-7001	ROTOR ASSEMBLY	91	16
84-65773A6	LEAD ASSEMBLY, PRIMARY TERMINAL	11	10	390-7002	STATOR ASSEMBLY	91	10
				390-7003	COVER ASSEMBLY, REAR	91	22
				390-7004	FAN, DRIVE END FRAME	91	4
				390-7005	BALL BEARING, DRIVE END FRAME AND ROTOR SHAFT	91	8
				390-7006	RETAINER, DRIVE END BALL BEARING	91	9
				390-7007	RETAINER, ROTOR SHAFT BEARING	91	21
				390-7008	DIODE TRIO	91	35

PARTS INDEX

Part Number	Description	Pg.	Ref. No.	Part Number	Description	Pg.	Ref. No.
390-7010	HEAT SINK, POSITIVE	91	12	391-5090	BREAKER ASSEMBLY	11	8
390-7011	,BRUSH HOLDER ASSEMBLY	91	33	391-5091	SCREW, BREAKER ATTACHING	11	7
390-7012	SPACER, FAN TO DRIVE END FRAME	91	5	391-5092	CONDENSER	11	5
390-7013	GASKET, VOLTAGE REGULATOR TO ALTERNATOR	91	37	391-5093	BRACKET, CONDENSER ATTACHING	11	6
390-7014	SLIP RING	91	17	391-6390	GEAR, DRIVE	11	17
390-7015	SCREW, VOLTAGE REGULATOR ATTACHING	91	39	391-6391	PIN, DRIVE GEAR	11	18
390-7016	BOLT, THRU (3")	91	31	391-7057	ROTOR	11	4
390-7017	PULLEY, DRIVE END FRAME	91	3	392-4949	ARMATURE	69	2
390-7018	SLEEVE, INSULATOR	91	14	392-4951	CRANK ARM ASSEMBLY	69	8
390-7019	SPACER, DIODE TRIO	91	36	392-4952	GEAR AND GASKET PACKAGE	69	11
390-7020	SLEEVE, INSULATOR	91	13	392-4953	GASKET, COVER	69	12
390-7021	NUT, CONDENSOR TERMINAL ATTACHING	91	32	392-4955	HEAD ASSEMBLY, COMMUTATOR END	69	4
390-7022	WASHER, COONDENSOR TERMINAL STUD	91	30	392-4956	BRUSH SET	69	5
390-7023	WASHER, REGULATOR TERMINAL STUD	91	24	392-4957	HEAD ASSEMBLY, DRIVE END	69	9
390-7024	WASHER, CONDENSOR TERMINAL STUD	91	25	392-4958	PLATE, CAM	69	13
390-7025	NUT, TERMINAL STUD	91	26	392-4959	SCREW, AND DISC PACKAGE	69	10
390-7026	NUT, TERMINAL ATTACHING	91	29	392-4960	SPRIING SET, BRUSH	69	3
390-7027	NUT, FAN AND PULLEY TO ROTOR	91	1	392-4962	THRU BOLT	69	6
390-7028	NUT, THRU BOLT ATTACHING	91	6	392-5699	HARNES ASSEMBLY (3 WIRE LEAD)	69	16
390-7029	SCREW, ROTOR ASSEMBLY SHAFT (5/8")	91	20	392-5928	FIELD COIL ASSEMBLY	69	7
390-7030	SCREW, BRUSH HOLDER ATTACHING (1/2")	91	34	392-6375	SWITCH PLATE (INCLUDES 1 PIECE OF REF. NO. 12)	69	17
390-7032	LOCKWASHER, TERMINAL STUD	91	28	393-2918A8	TRIGGER ASSEMBLY	13	10
390-7033	LOCKWASHER, FAN AND PULLEY NUT	91	2	393-4988	CAP, DISTRIBUTOR	13	2
390-7034	KEY, ROTOR ASSEMBLY SHAFT	91	15	429-6612	CRANKSHAFT (L.H. ROTATION)	43	20
390-7035	CONDENSOR	91	23	429-6613	CRANKSHAFT (R.H. ROTATION)	43	20
390-7036	VOLTAGE REGULATOR	91	38	431-3427	CAMSHAFT GEAR DRIVEN ENGINES	39	9
390-7206	WASHER, ROTOR ASSEMBLY SCREW	91	18	431-4734	CAMSHAFT CHAIN DRIVEN ENGINES	39	9
390-7207	LOCKWASHER, ROTOR ASSEMBLY SCREW	91	19	614-3553	CONNECTING ROD ASSEMBLY	41	16
390-7208	WASHER, TERMINAL STUD	91	27	737-6523	PISTON AND PISTON PIN ASSEMBLY (STANDARD)	41	1
391-5075	CAP, DISTRIBUTOR	11	2	737-6615	PISTON AND PISTON PIN ASSEMBLY (.030 O.S.)	41	1
391-5076	GASKET, DISTRIBUTOR CAP	11	3	842-6522	CYLINDER BLOCK ASSEMBLY	39	1
391-5080	OILER	11	16	842-6522	CYLINDER BLOCK ASSEMBLY	47	32
391-5083	VENT, SCREEN	11	15	938-5535	CYLINDER HEAD ASSEMBLY	37	20
391-5084	PIN, CLAMP TO DISTRIBUTOR	11	12	1347-7363A1	CARBURETOR ASSEMBLY (STERN DRIVE)	17	1
391-5085	CLAMP, DISTRIBUTOR CAP ATTACHING	11	11	1347-7363A1	CARBURETOR ASSEMBLY, COMPLETE (STERN DRIVE)	21	-
391-5086	WASHER, DISTRIBUTOR CAP SCREW	11	14	1347-7366A1	CARBURETOR ASSEMBLY (INBOARD)	17	1
391-5087	SCREW, DISTRIBUTOR CAP ATTACHING	11	13	1347-7366A1	CARBURETOR ASSEMBLY, COMPLETE (INBOARD)	21	-
				1397-3309	GASKET SET	23	--

PARTS INDEX

Part Number	Description	Pg.	Ref. No.	Part Number	Description	Pg.	Ref. No.
1397-3315	SPRING AND CAM KIT, AIR VALVE	23	--				
1397-3327	FLOAT ASSEMBLY	21	21				
1397-3330	NUT, FILTER - FUEL INLET	23	45				
1397-3465	OFF ENGINE KIT	23	--				
1397-5635	OVERHAUL KIT	23	--				
1397-7544	OVERHAUL KIT	23	--				