



PARTS CATALOG

MERC 80

SERIAL NUMBER

800 (4 CYL.), 80 (4 CYL.)	USA 4831999 THRU 5582561
800 (4 CYL.), 80 (4 CYL.)	CAN 7110998 THRU 7146212
800 (4 CYL.), 80 (4 CYL.)	8050200 THRU 8067014
800 (4 CYL.), 80 (4 CYL.)	BEL 9177626 THRU 9256130

TABLE OF CONTENTS:

BOTTOM COWL AND SHIFT LINKAGE	26
CARBURETOR ASSEMBLY	16
CARBURETOR LINKAGE	14
CLAMP BRACKET AND REVERSE LOCK	32
COWLING AND FRONT COVER	4
CRANKSHAFT, PISTON AND CONNECTING ROD	24
CYLINDER BLOCK AND CRANKCASE ASSEMBLY	20
DRIVE SHAFT HOUSING ASSEMBLY	36
END CAPS, MANIFOLD AND EXHAUST COVER	22
EXHAUST EXTENSION PLATE	28
FLYWHEEL, STATOR AND IGNITION COIL	6
FUEL PUMP AND FUEL LINES	18
GEAR HOUSING ASSEMBLY, COMPLETE (PAGE 1)	38
GEAR HOUSING ASSEMBLY, COMPLETE (PAGE 2)	42
MISCELLANEOUS PARTS/ACCESSORIES	1
PARTS INDEX	50
PROPELLERS (RIGHT HAND ROTATION)	46
SERIAL GROUP CHART	48
STARTER MOTOR AND WIRING HARNESS	12
SWIVEL BRACKET ASSEMBLY	30
THROTTLE LEVER AND SPARK ADVANCE LEVER	10
TOP COWL AND SUPPORT BRACKETS	2

NOTE: Indented description indicate that these parts are included in preceding assembly.

AR = As Required

NSS = Not Sold Separate

OPT = Optional

NS = Not Shown

NOTE: Following symbols are located in **SYM** column.

● = CONTENTS OF A-[27-73645A76] GASKET SET

◇ = COMPONENT OF GASKET AND PACKING SET

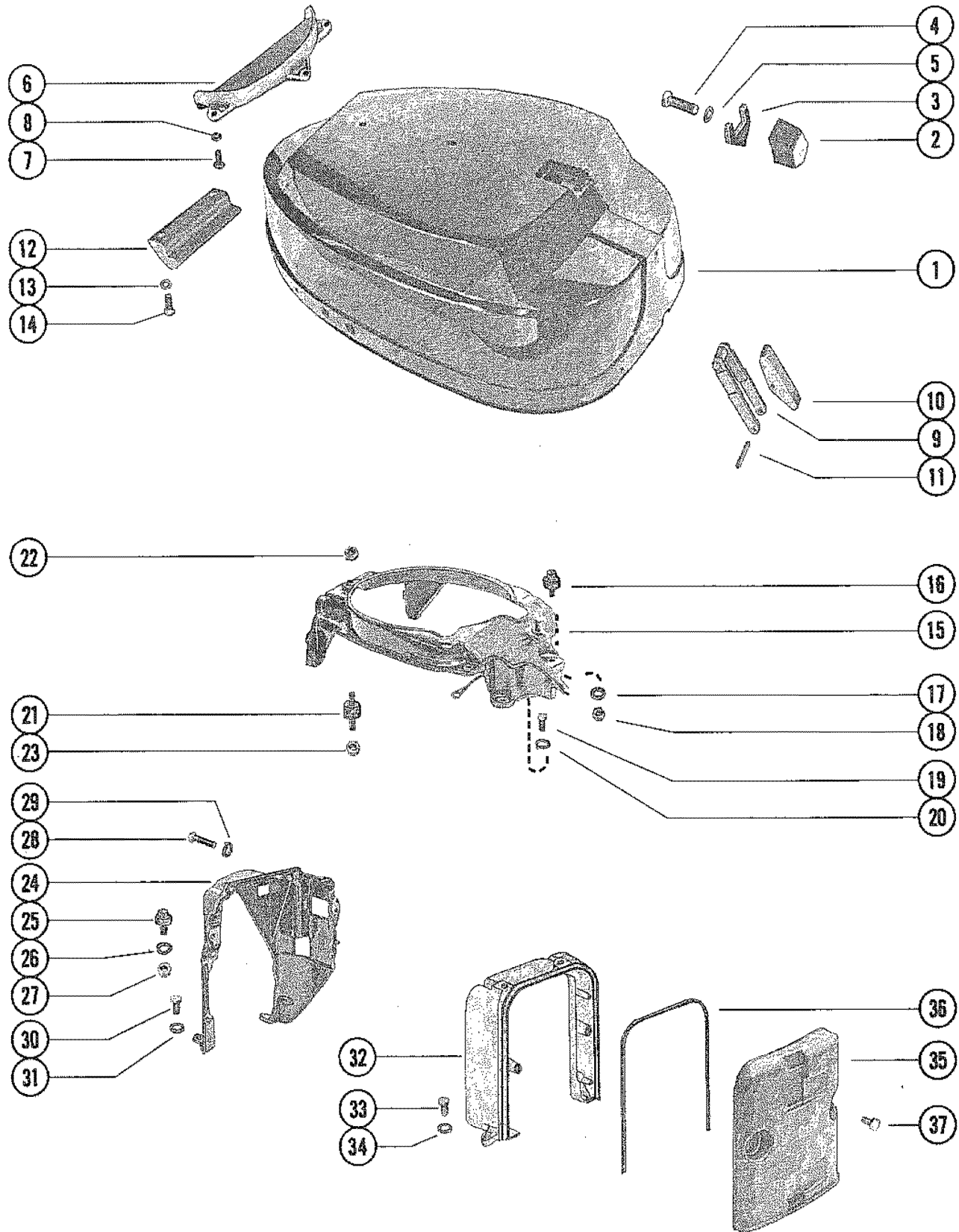
■ = COMPONENT OF REPAIR PARTS KIT

THESE PARTS BOOKS/FICHE CARD ARE COPYRIGHTED AND MAY NOT BE DISTRIBUTED OR REPRODUCED IN ANY OTHER FORMAT BY ANYONE OTHER THAN MERCURY MARINE WITHOUT THE PRIOR WRITTEN CONSENT OF MERCURY MARINE.

MISCELLANEOUS PARTS/ACCESSORIES

REF. NO.	PART NO.	SYM.	QTY.	DESCRIPTION
-	90-79166		0	MERC 80 PARTS MANUAL
-	27-73645A76		0	GASKET SET
-	37-78596A78		0	DECAL SET - SERIAL GROUP #1
-	37-86429A79		0	DECAL SET - SERIAL GROUP #2

TOP COWL AND SUPPORT BRACKETS

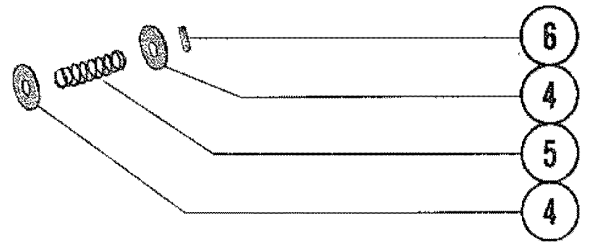
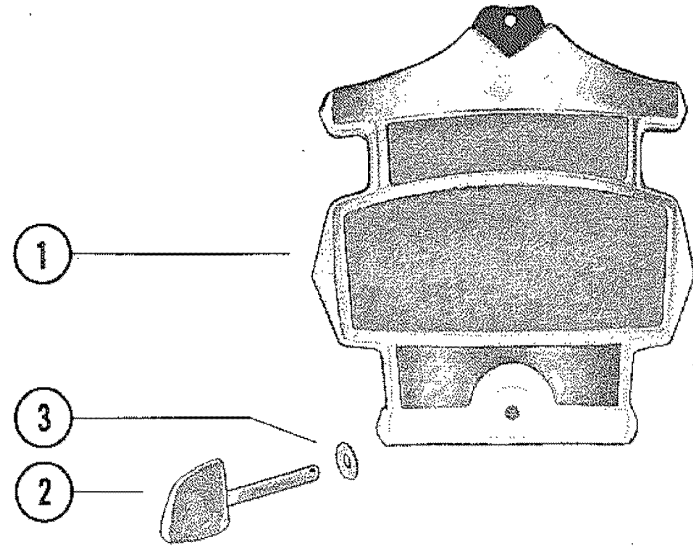
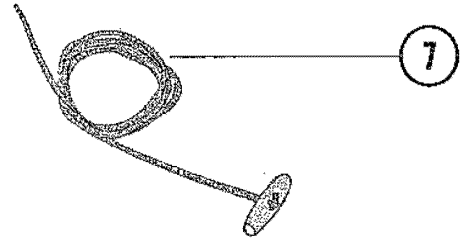
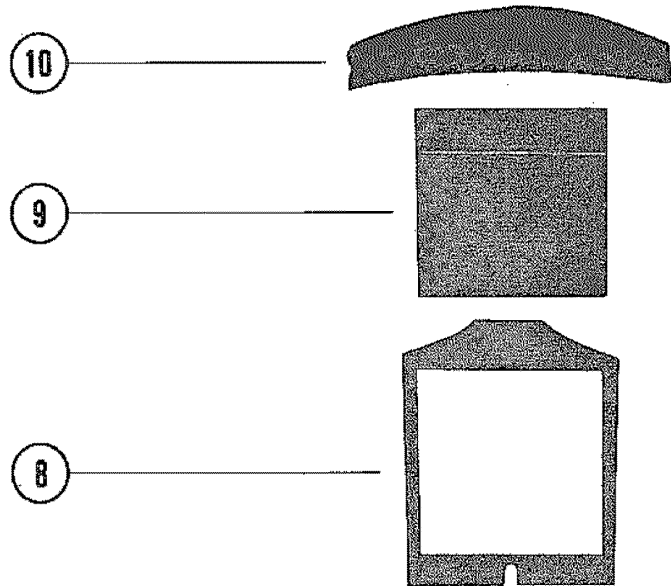
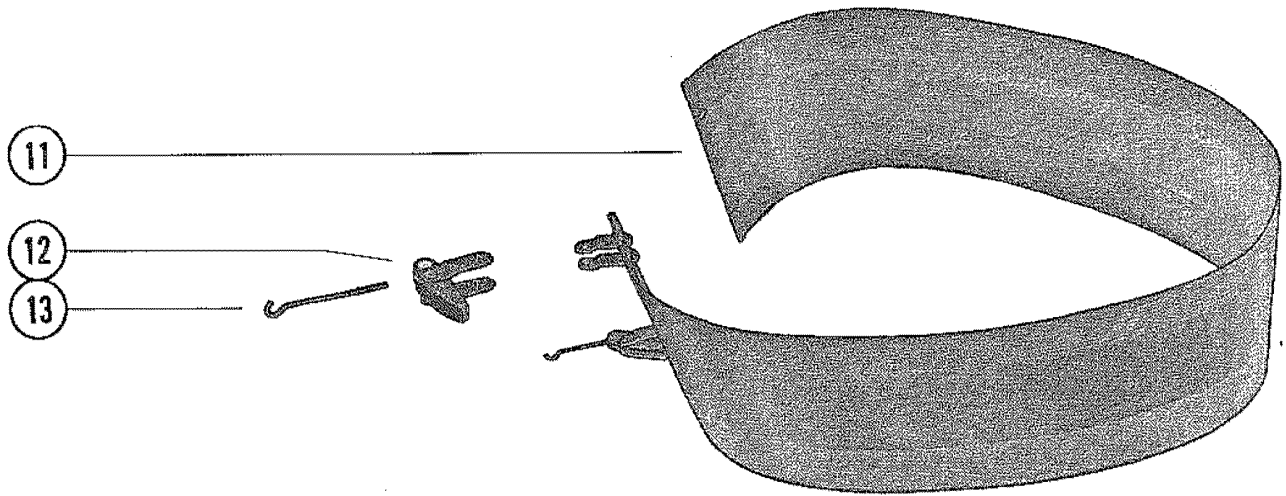


TOP COWL AND SUPPORT BRACKETS

REF. NO.	PART NO.	SYM.	QTY.	DESCRIPTION
1	2114-5999		1	COWL, TOP (WITHOUT DECALS)
2	52733A9		1	RETAINER ASSEMBLY, TOP COWL
3	35496		1	PAD, BUMPER-TOP COWL RETAINER
4	10-37558		1	SCREW, RETAINER TO TOP COWL (1 1/4")
5	13-39107		1	LOCKWASHER, RETAINER FASTENING SCREW
6	76370		1	SHIELD, TOP COWL - REAR
7	10-37370		3	SCREW, SHIELD TO TOP COWL (5/8")
8	13-37371		3	LOCKWASHER, SHIELD SCREW
9	52739		1	HINGE, COWL LATCH - TOP COWL
10	52737		1	LEVER, COWL LATCH HINGE
11	17-58998		1	PIN, COWL LATCH LEVER TO HINGE
12	55455		1	HOOK, TOP COWL LATCH - REAR
13	13-26992		2	LOCKWASHER, REAR HOOK MOUNTING SCREW
14	10-22956		2	SCREW, REAR HOOK TO TOP COWL (7/8")
15	73401		1	FRAME, SUPPORT - TOP COWL
16	37640		1	MOUNT, RUBBER - SUPPORT FRAME
17	13-26993		1	LOCKWASHER, RUBBER MOUNT
18	11-28770		1	NUT, RUBBER MOUNT
19	10-37562		2	SCREW, SUPPORT FRAME TO FRONT FRAME (1")
20	13-26993		2	LOCKWASHER, SUPPORT FRAME SCREW
21	37639		3	MOUNT, RUBBER - TOP COWL FRAME
22	11-35888		3	NUT, RUBBER MOUNT (UPPER)
23	11-46887		3	NUT, RUBBER MOUNT (LOWER)
24	52468		1	BRACKET, TOP COWL SUPPORT - REAR
25	31014		2	MOUNT, RUBBER - REAR SUPPORT BRACKET)
26	13-26992		2	LOCKWASHER RUBBER MOUNT TO REAR SUPPORT BRACKET
27	11-29598		2	NUT RUBBER MOUNT TO REAR SUPPORT BRACKET
28	10-37562		4	SCREW, REAR BRACKET TO FRAME (1")
29	13-26993		4	LOCKWASHER, REAR BRACKET SCREW
30	10-37562		4	SCREW REAR SUPPORT BRACKET TO BOTTOM COWL (1")
31	13-26993		4	LOCKWASHER REAR SUPPORT BRACKET SCREW
32	73396		1	FRAME, FRONT SUPPORT
33	10-37562		2	SCREW, SILENCER COVER
34	13-26993		2	LOCKWASHER, FRAME SCREW
35	76226A1		1	COVER ASSMEBLY, SILENCER
36	27-76168A1	●	1	GASKET, SILENCER COVER
37	10-28638		2	SCREW, COVER TO FRONT SUPPORT FRAME (3/4")
-	27-73645A76		0	GASKET SET

● = CONTENTS OF A-[27-73645A76] GASKET SET

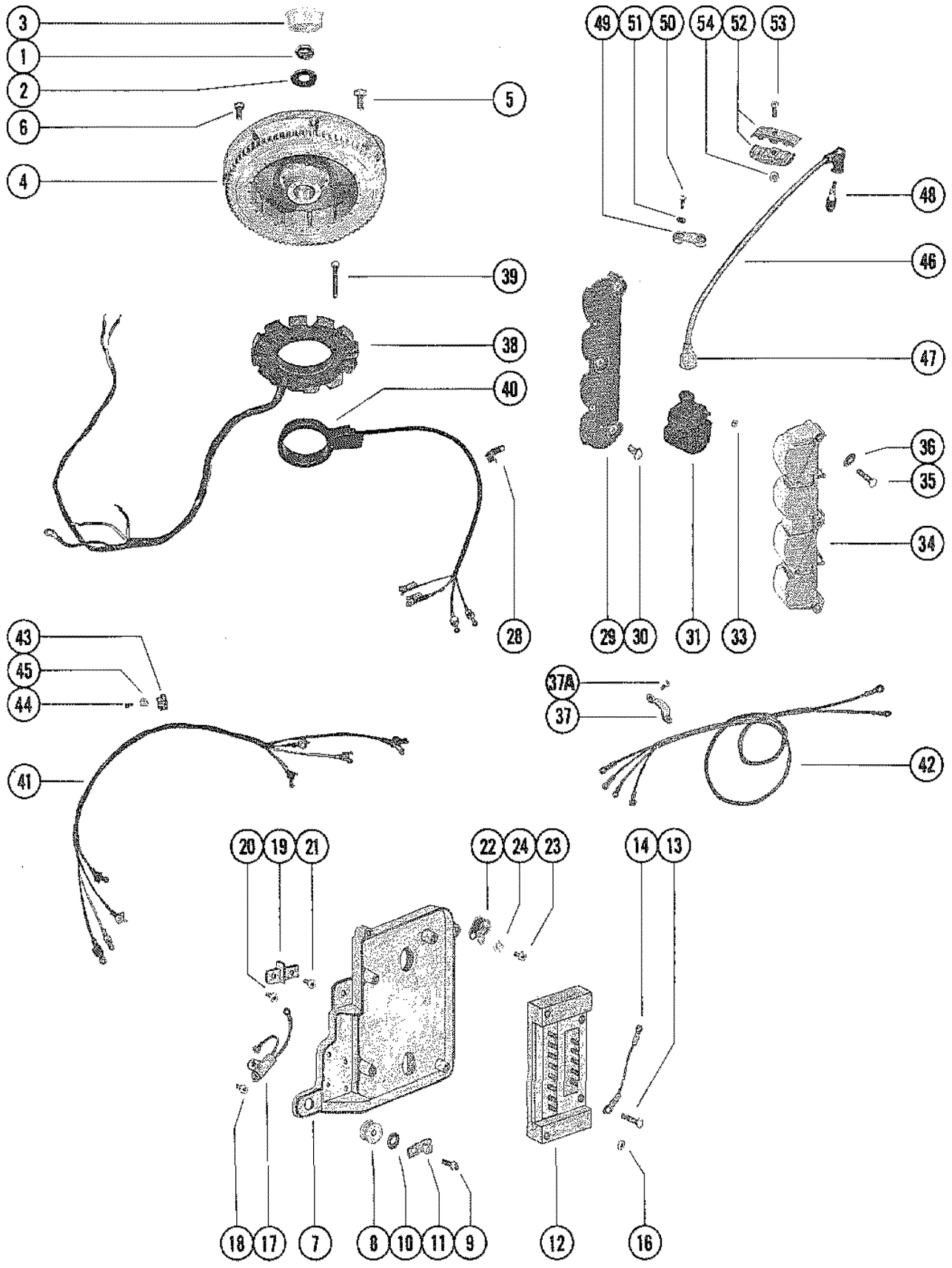
COWLING AND FRONT COVER



COWLING AND FRONT COVER

REF. NO.	PART NO.	SYM.	QTY.	DESCRIPTION
1	2104-5642A8		1	COWL FRONT COVER ASSEMBLY (WITHOUT DECALS)
2	73786		1	KNOB, COWL FRONT COVER FASTENING
3	12-30771		1	WASHER, COVER FASTENING KNOB (RUBBER)
4	12-75246		2	WASHER, COVER FASTENING KNOB (STEEL)
5	24-32271		1	SPRING, TENSION - COVER FASTENING KNOB
6	17-29077		1	ROLL PIN, TENSION SPRING TO KNOB
7	47341A1		1	ROPE, STARTER (FOR MANUAL STARTING ONLY)
8	71040		1	SEAL, SOUND ABSORBING
9	38674		1	BLANKET, SOUND ABSORBING
10	54143		1	SEAL, SOUND - UPPER
11	2119-3248A16		1	WRAP AROUND COWL ASSEMBLY (WITHOUT DECALS)
12	46785A1		2	COWL LATCH ASSEMBLY
13	30413		2	HOOK, COWL LATCH FASTENING
-	92-25234--1		1	GLUE, ADHESIVE - SOUND BLANKET FASTENING

FLYWHEEL, STATOR AND IGNITION COIL

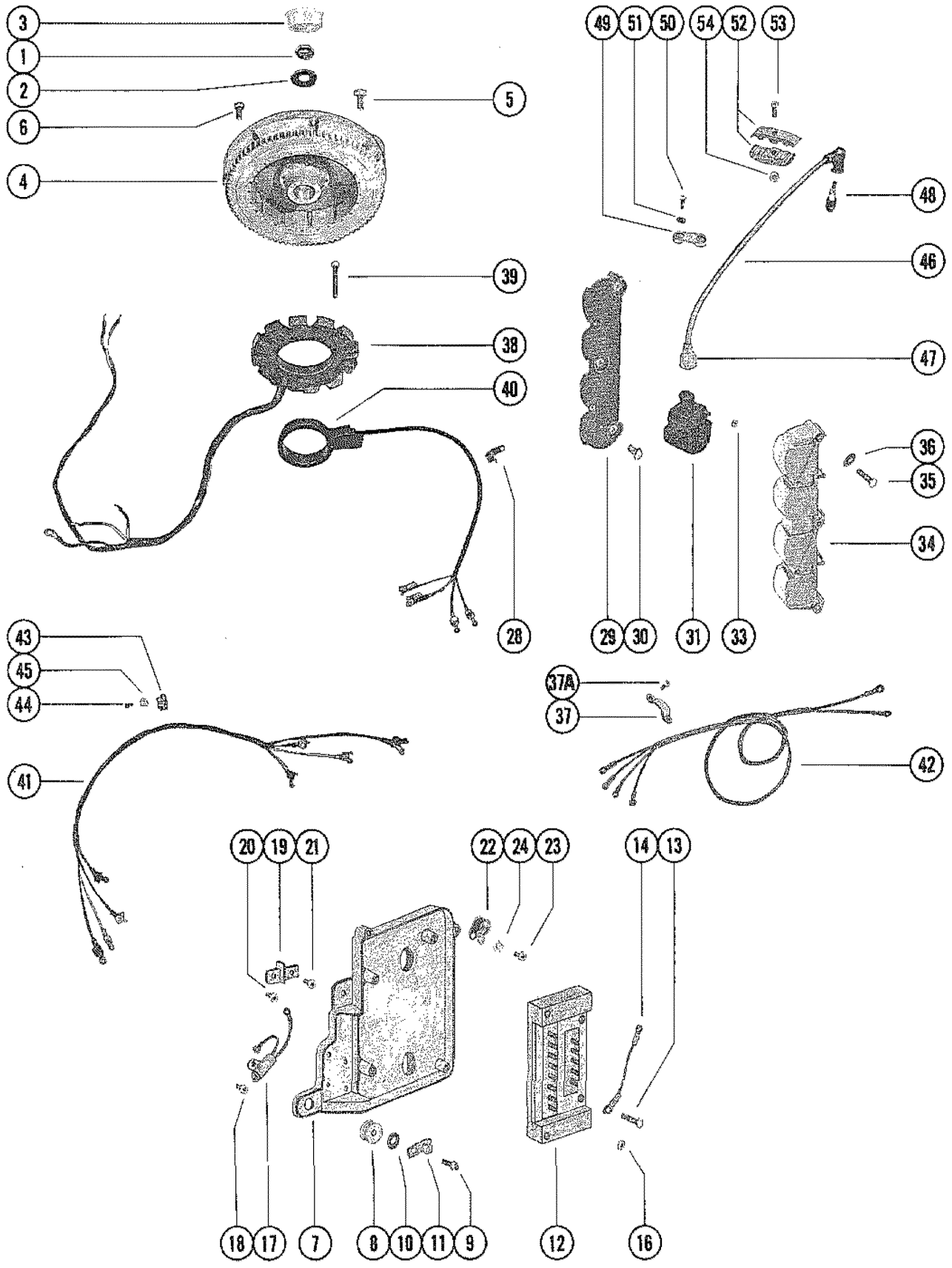


FLYWHEEL, STATOR AND IGNITION COIL

REF. NO.	PART NO.	SYM.	QTY.	DESCRIPTION
1	11-52901		1	NUT, FLYWHEEL
2	12-68229		1	WASHER, FLYWHEEL NUT
3	19-45907		1	PLUG, FLYWHEEL PULLER THREADS
4	248-5977A9		1	FLYWHEEL ASSEMBLY UNITED STATES 5141096 AND BELOW AUSTRALIA 8056519 AND BELOW BELGIUM 9207925 AND BELOW CANADA 7122587 AND BELOW
	248-5977A24		1	FLYWHEEL ASSEMBLY UNITED STATES 5141097 AND UP AUSTRALIA 8056520 AND UP BELGIUM 9207928 AND UP CANADA 7122588 ANDUP
5	10-68997		8	SCREW, PLATE/HUB TO FLEXIBLE PLATE (3/4")
6	10-32417		8	SCREW, FLEXIBLE PLATE TO FLYWHEEL (5/8")
7	73189		1	PLATE, SWITCH BOX
8	25-57009		3	GROMMET, SWITCH BOX PLATE
9	10-59645		3	SCREW SWITCH BOX PLATE TO CYLINDER BLOCK (3/4")
10	12-56720		3	WASHER, SWITCH BOX PLATE SCREW
11	54-47483		1	"J" CLIP, SWITCH BOX WIRES AND FUEL LINE
12	332-5772A1		1	SWITCH BOX ASSEMBLY
13	10-20619		4	SCREW, SWITCH BOX TO PLATE (1 3/8")
14	84-65999A5		2	WIRE ASSEMBLY
16	11-45076		13	NUT, SWITCH BOX TERMINAL
17	58124A19		1	MERCURY SWITCH ASSEMBLY
18	10-37571		1	SCREW, MERCURY SWITCH TO PLATE (1/2")
19	86-66986		1	TERMINAL BLOCK
20	10-20646		1	SCREW, TERMINAL BLOCK TO PLATE (5/8")
21	10-37655		1	SCREW, WIRE TO TERMINAL BLOCK (1/2")
22	54-23567		2	CLIP, WIRES AND HARNESS
23	10-48408		2	SCREW, CLIP TO PLATE (3/8")
24	69205		2	"D" WAHER, CLIP SCREW
28	54-47483		1	"J" CLAMP, TRIGGER PLATE HARNESS
29	73395		1	PLATE, MOUNTING - IGNITION COIL
30	10-28668		3	SCREW, MOUNTING PLATE TO CRANKCASE (7/8")
31	339-5748A2		4	IGNITION COIL ASSEMBLY UNITED STATES 5141096 AND BELOW AUSTRALIA 8056519 AND BELOW BELGIUM 9207925 AND BELOW CANADA 7122587 AND BELOW
	338-4995A2		4	IGNITION COIL ASSEMBLY UNITED STATES 5141097 AND UP AUSTRALIA 8056520 AND UP BELGIUM 9207928 AND UP CANADA 7122588 ANDUP
33	11-45076		8	NUT, IGNITION COIL TERMINAL
34	73192		1	COVER, IGNITION COIL
35	10-69046		5	SCREW, COVER TO MOUNTING PLATE (2")
36	12-30164		5	WASHER, COVER SCREW
37	77672		1	STRAP, PRIMARY HARNESS
37A	10-48408		2	SCREW, STRAP ATTACHING
38	398-5919A3		1	STATOR ASSEMBLY
39	10-75840		4	SCREW, STATOR TO UPPER END CAP (7/8")

CONTINUED ON NEXT PAGE ➡

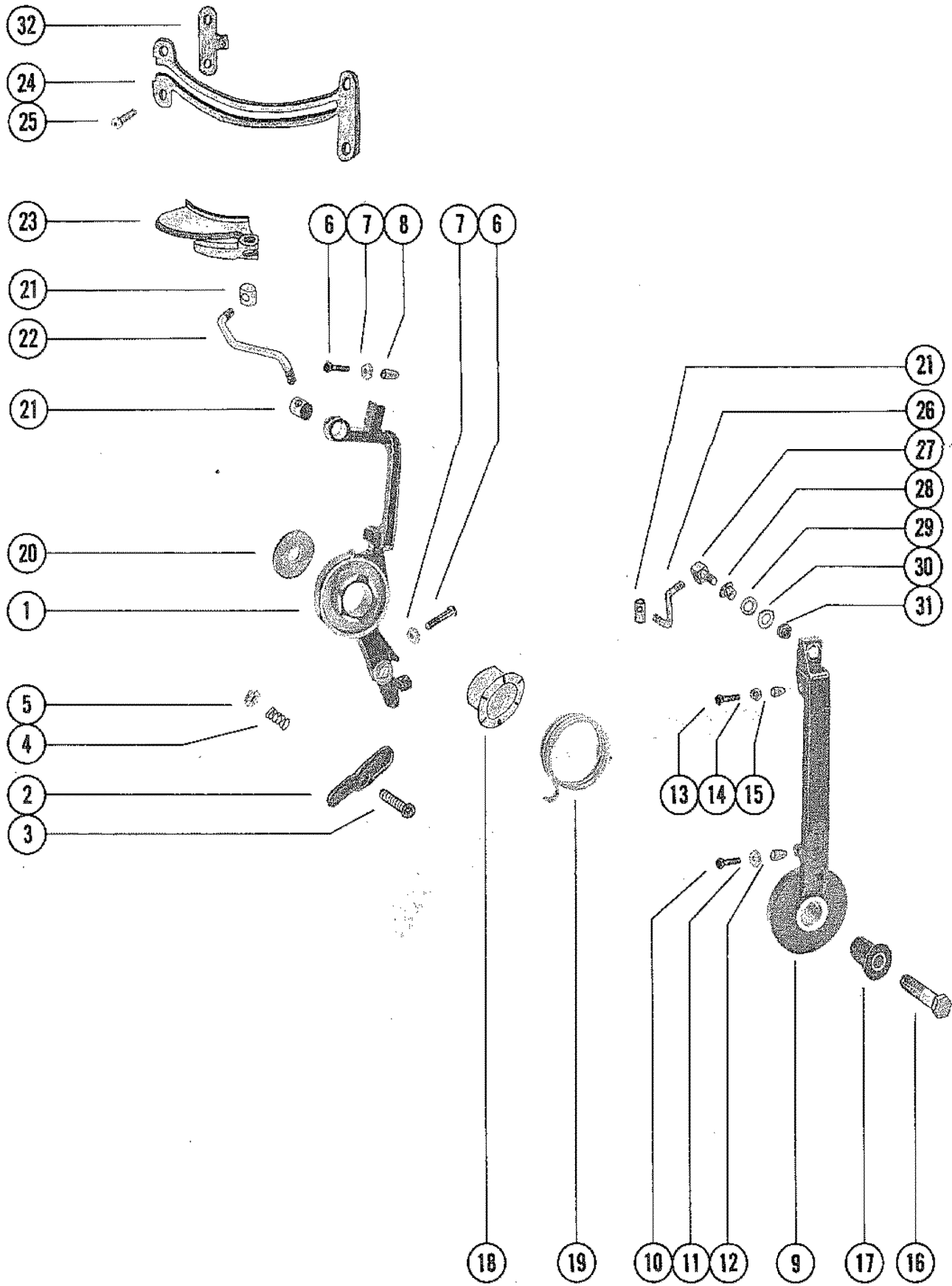
FLYWHEEL, STATOR AND IGNITION COIL



FLYWHEEL, STATOR AND IGNITION COIL

REF. NO.	PART NO.	SYM.	QTY.	DESCRIPTION
40	77000A2		1	TRIGGER PLATE ASSEMBLY
41	84-77617		1	HARNESS, PRIMARY (CYLINDERS 1 AND 2)
42	84-77618		1	HARNESS, PRIMARY (CYLINDERS 3 AND 4)
43	54-39844		1	CLAMP, HARNESS ATTACHING
44	10-48408		1	SCREW, CLAMP TO CRANKCASE (1/2")
45	69205		1	"D" WASHER, HARNESS CLAMP SCREW
46	84-73451A8		4	WIRE ASSEMBLY, SPARK PLUG
47	332-2854		4	BOOT, IGNITION COIL END
48	33-58194		4	SPARK PLUG (AC#V40FFK) FOR CANADA AND BELGIUM, USE C-33-68098 (CHAMPION #QL-76V)
49	78278		2	RETAINER, WIRE
50	10-48408		2	SCREW, WIRE RETAINER
51	12-21273		2	WASHER, WIRE RETAINER SCREW
52	63319		2	RETAINER, SPARK PLUG WIRE
53	10-46378		1	SCREW, RETAINER TO CYLINDER BLOCK COVER (1")
54	11-20013		1	NUT, RETAINER SCREW

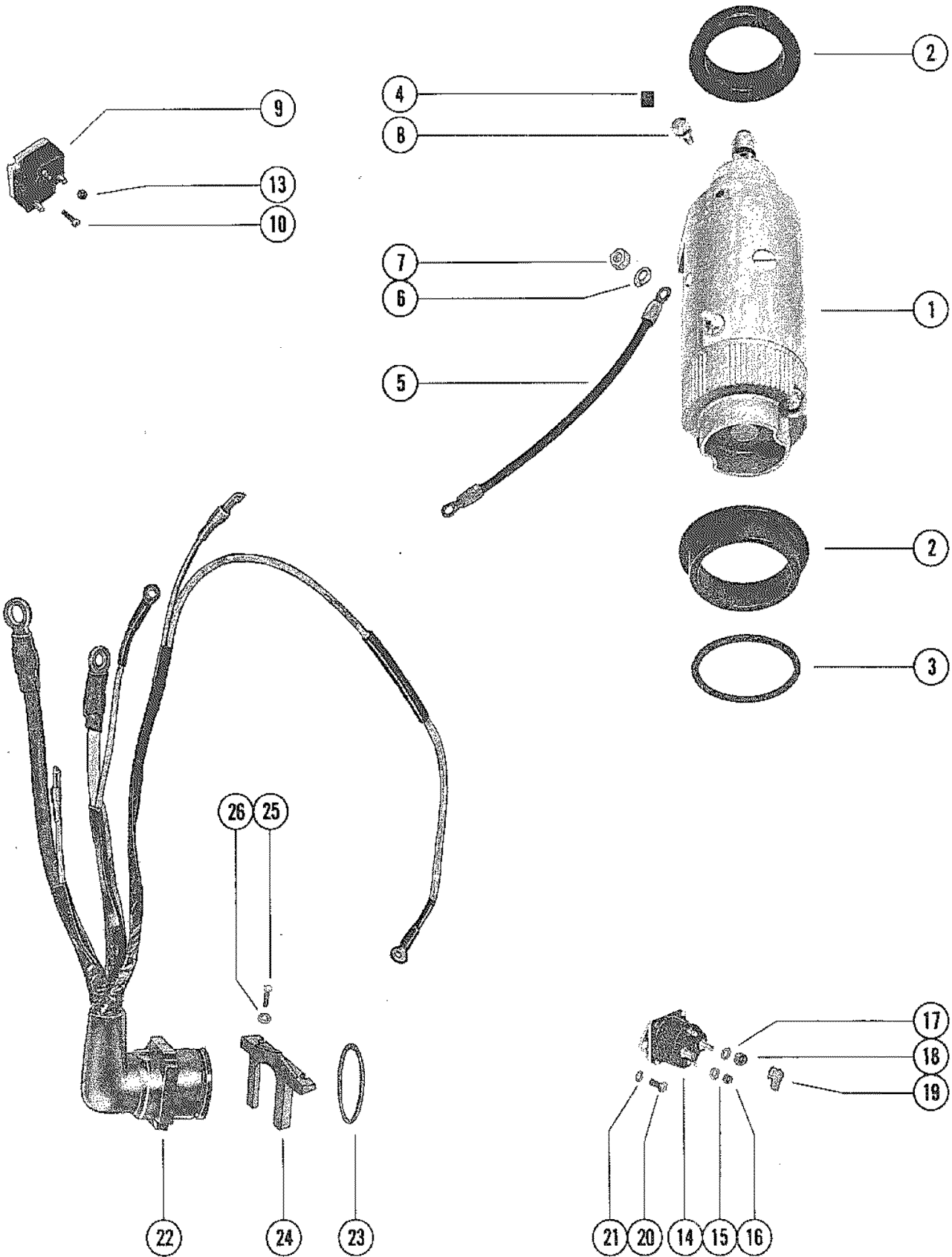
THROTTLE LEVER AND SPARK ADVANCE LEVER



THROTTLE LEVER AND SPARK ADVANCE LEVER

REF. NO.	PART NO.	SYM.	QTY.	DESCRIPTION
1	73416		1	LEVER, THROTTLE
2	73404		1	LATCH, THROTTLE LEVER (THROTTLE CABLE)
3	10-59702		1	SCREW, LATCH TO THROTTLE LEVER (7/8")
4	24-20099		1	SPRING, LATCH SCREW
5	11-36069		1	NUT, LATCH SCREW
6	10-73654		2	SCREW, ADJUSTING - THROTTLE LEVER (1 3/4")
7	11-64484		2	NUT, JAM - ADJUSTING SCREW
8	52023		1	CAP, NYLON - ADJUSTING SCREW
9	73414		1	ARM, SPARK ADVANCE
10	10-73656		1	SCREW, ADJUSTING - SPARK ADVANCE ARM (1 3/8")
11	11-68219		1	NUT, JAM - ADJUSTING SCREW
12	48039		1	CAP, NYLON - ADJUSTING SCREW
13	10-73655		1	SCREW, ADJUSTING - SPARK ADVANCE ARM (2")
14	11-64484		1	NUT, JAM - ADJUSTING SCREW
15	52023		1	CAP, NYLON - ADJUSTING SCREW
16	10-55337		1	SCREW LEVER AND ARM TO CYLNDER BLOCK (1 3/4")
17	23-55164		1	BUSHING, LEVER AND ARM SCREW
18	23-55171		1	BUSHING, FLANGE - LEVER AND ARM SCREW
19	24-86310		1	SPRING, RETURN - LEVER AND ARM SCREW
20	12-46765		1	WASHER, LEVER AND ARM SCREW
21	60572		3	BARREL, NYLON - LEVER AND ARMS
22	73374		1	LINK ROD, THROTTLE
23	73432		1	CAM, THROTTLE
24	77001		1	HOUSING, THROTTLE CAM
25	10-60605		4	SCREW, HOUSING TO CRANKCASE (3/4")
26	77010		1	LINK ROD, SPARK ADVANCE
27	76158A1		1	SWIVEL ASSEMBLY, LINK ROD TO ARM
28	23-26856		1	BUSHING, NYLON - LINK ROD SWIVEL
29	13-29402		1	WAVE WASHER, LINK ROD SWIVEL
30	12-33786		1	WASHER, LINK ROD SWIVEL
31	11-20110		1	NUT, LINK ROD SWIVEL
32	77158		1	SPACER, THROTTLE CAM HOUSING

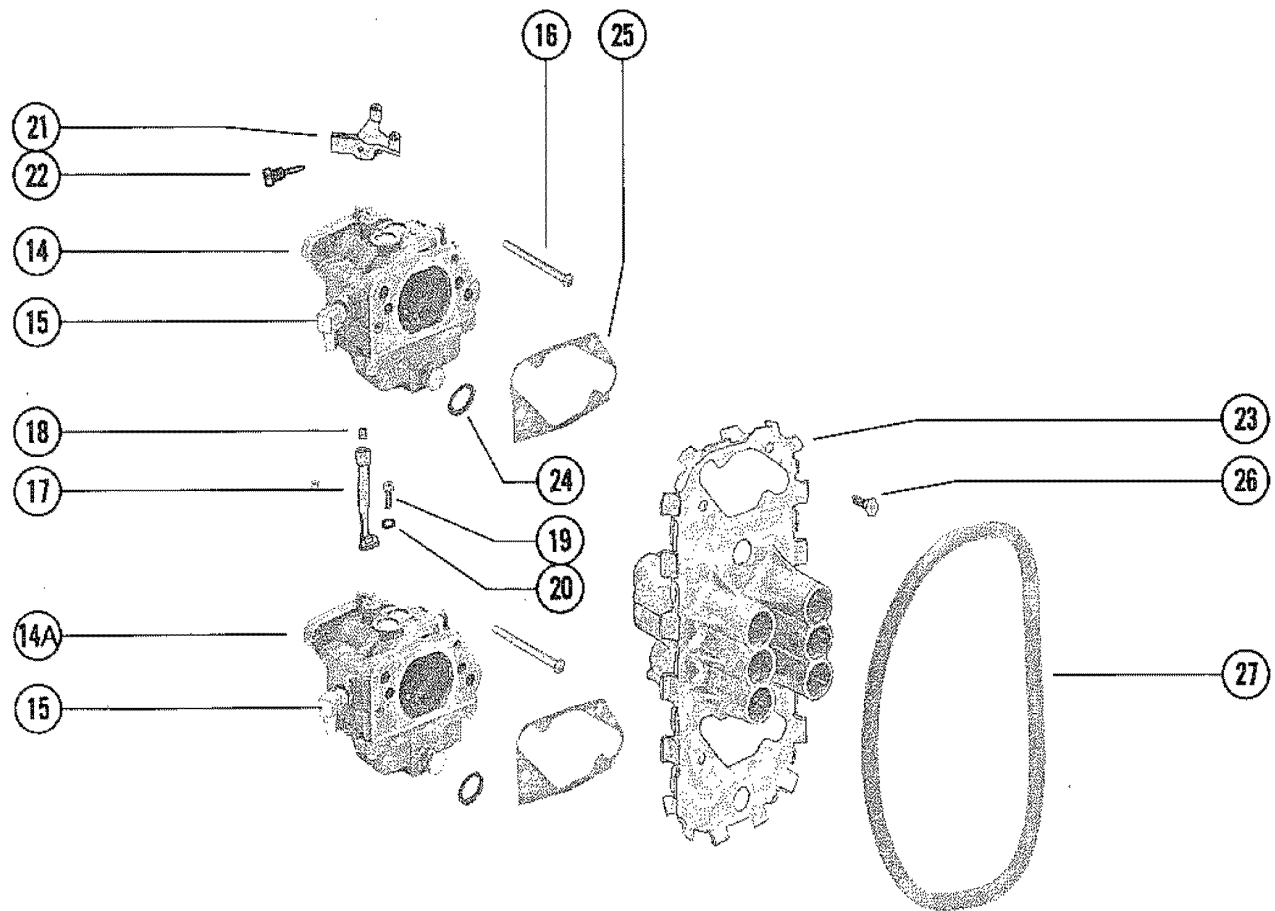
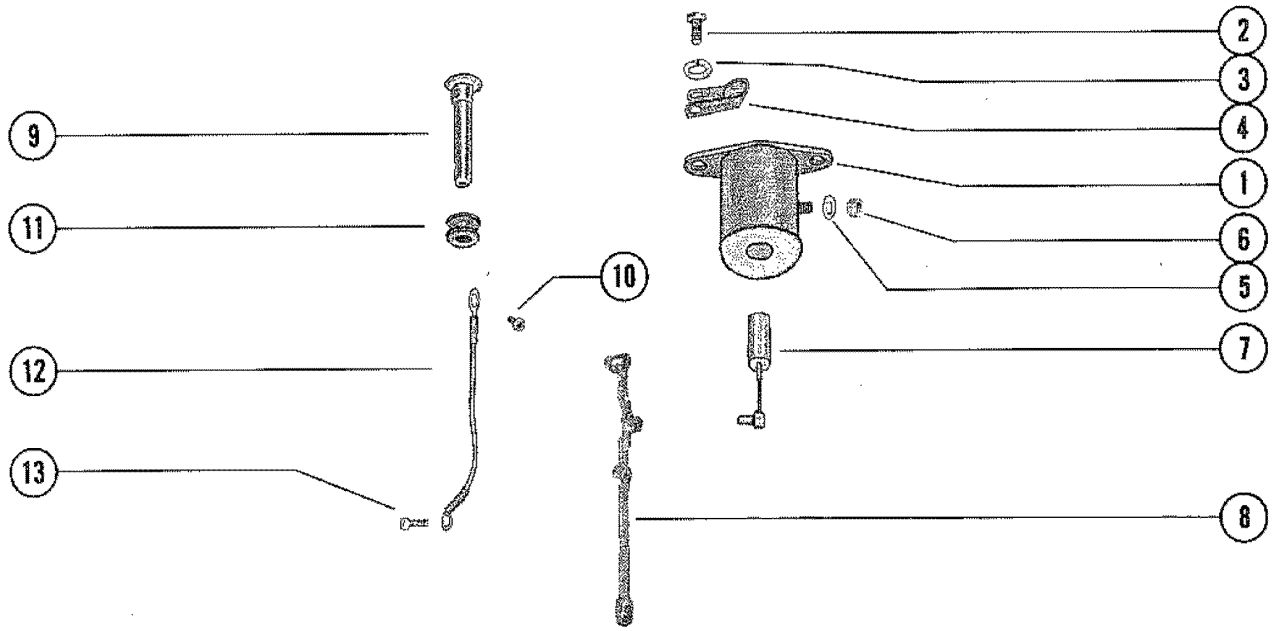
STARTER MOTOR AND WIRING HARNESS



STARTER MOTOR AND WIRING HARNESS

REF. NO.	PART NO.	SYM.	QTY.	DESCRIPTION
1	50-66015		1	STARTER MOTOR
2	56703		2	COLLAR, RUBBER - STARTER MOTOR
3	23-56774		1	SPACER, COLLAR TO BRACKET
4	57247		2	STOP, RUBBER - STARTER MOTOR
5	84-66053A1		1	WIRE ASS'Y STARTER MOTOR/STARTER SOLENOID (YELLOW)
6	13-26992		1	LOCKWASHER, STARTER MOTOR TERMINAL
7	11-64015		1	NUT, STARTER MOTOR TERMINAL
8	10-69035		1	SCREW WIRING HARNESS TO STARTER MOTOR (5/8")
9	62351A1		1	RECTIFIER ASSEMBLY
10	10-37656		2	SCREW, RECTIFIER TO PLATE (5/8")
13	11-45076		3	NUT, RECTIFIER TERMINAL
14	89-68258		1	STARTER SOLENOID
15	13-26996		2	LOCKWASHER, SOLENOID TERMINAL (#10)
16	11-68219		2	NUT, SOLENOID TERMINAL (#10)
17	13-26993		2	LOCKWASHER, SOLENOID TERMINAL (5/16")
18	11-68292		2	NUT, SOLENOID TERMINAL (5/16")
19	46265		1	BOOT, TERMINAL - STARTER SOLENOID
20	10-38601		2	SCREW, SOLENOID TO BOTTOM COWL (5/8")
21	13-26992		2	WASHER, SOLENOID SCREW
22	84-73369		1	WIRING HARNESS (INTERNAL)
23	24-28975		1	SPRING, GARTER - INTERNAL WIRING HARNESS
24	54-76368		1	CLAMP, WIRING HARNESS
25	10-69020		2	SCREW WIRING HARNESS CLAMP TO BOTTOM COWL (7/8")
26	12-30164		2	WASHER, WIRING HARNESS CLAMP SCREW

CARBURETOR LINKAGE

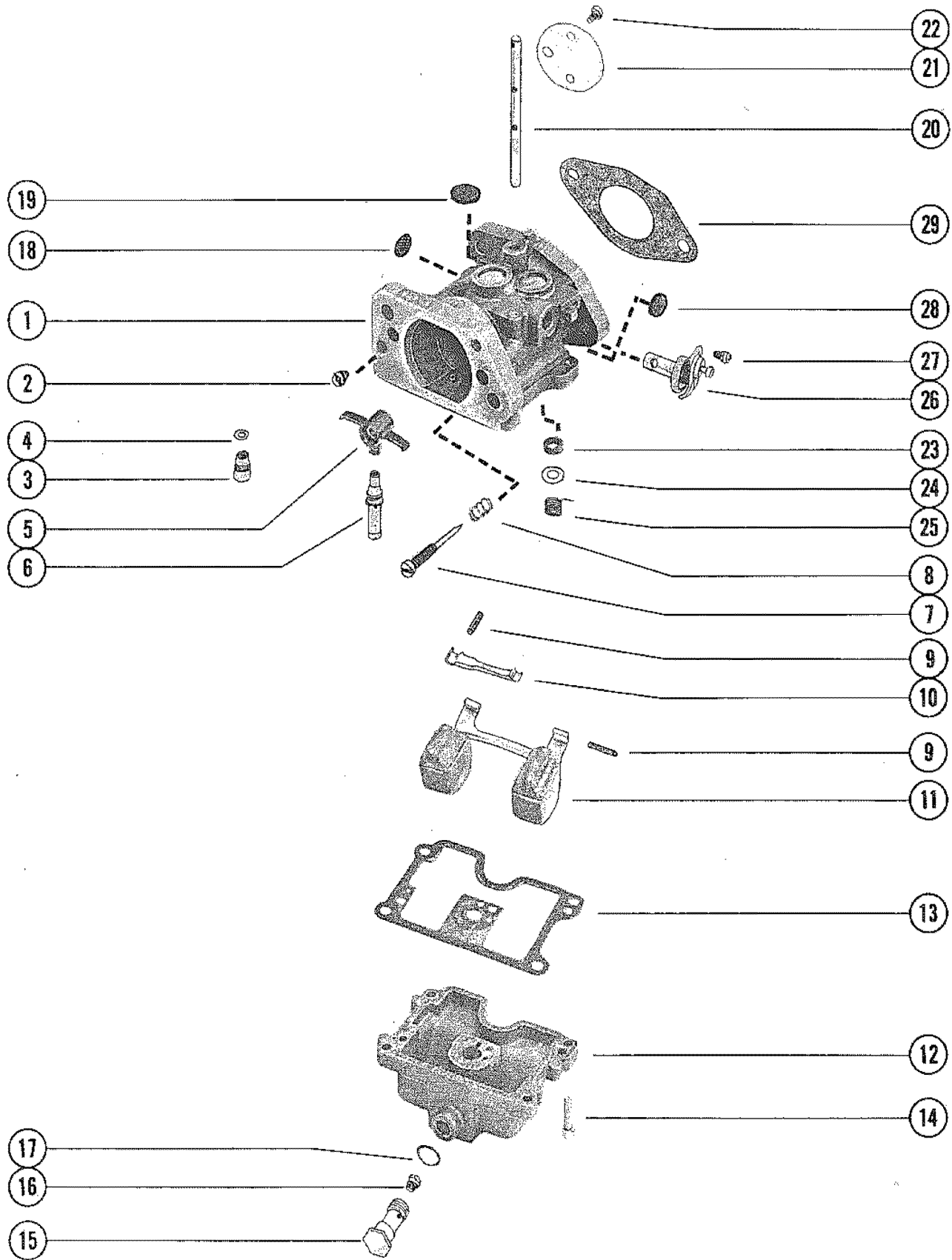


CARBURETOR LINKAGE

REF. NO.	PART NO.	SYM.	QTY.	DESCRIPTION
1	54293A4		1	CHOKE SOLENOID ASSEMBLY
2	10-59645		2	SCREW CHOKE SOLENOID TO F RON BRACKET (3/4")
3	13-26993		2	LOCKWASHER, CHOKE SOLENOID SCREW
4	54-52905		1	CLAMP, HARNESS - CHOKE SOLENOID SCREW
5	13-26996		1	LOCKWASHER, CHOKE SOLENOID TERMINAL
6	11-68219		1	NUT, CHOKE SOLENOID TERMINAL
7	56074A9		1	PLUNGER AND LINK ASSEMBLY
8	73400		1	CHOKE ROD
9	73755A1		1	CHOKE KNOB ASSEMBLY
10	10-76196		1	SCREW, WIRE TO CHOKE KNOB
11	25-20116		1	GROMMET, CHOKE KNOB
12	84-74263		1	WIRE, CHOKE KNOB TO CHOKE ROB (BLACK)
13	10-62568		1	SCREW, WIRE TO CHOKE ROD
14	1379-6071A10		1	CARBURETOR ASSEMBLY (TOP)
14A	1379-6071A11		1	CARBURETOR ASSEMBLY (BOTTOM)
15	22-64704		2	ELBOW, CARBURETOR
16	10-52743		4	SCREW, CARBURETOR TO CRANKCASE (3 3/4")
17	53720A2		1	COUPLING ASSEMBLY (LOWER CARBURETOR)
18	53665		1	INSERT, COUPLING
19	10-66104		1	SCREW, COUPLING TO CARBURETOR (3/4")
20	12-74726		1	WASHER, COUPLING SCREW
21	73847		1	ACTUATOR, THROTTLE (UPPER CARBURETOR)
22	10-60293		1	SCREW, ACTUATOR TO UPPER CARBURETOR (1/2")
23	73408		1	PLATE, CARBURETOR
24	27-73398	●	2	GASKET, CARBURETOR PLATE
25	27-76952	●	2	GASKET, CARBURETOR PLATE TO CARBURETOR
26	10-28635		4	SCREW, PLATE TO CAR BURETOR (5/8")
27	73647		1	SEAL, CARBURETOR PLATE
-	27-73645A76		0	GASKET SET

● = CONTENTS OF A-[27-73645A76] GASKET SET

CARBURETOR ASSEMBLY

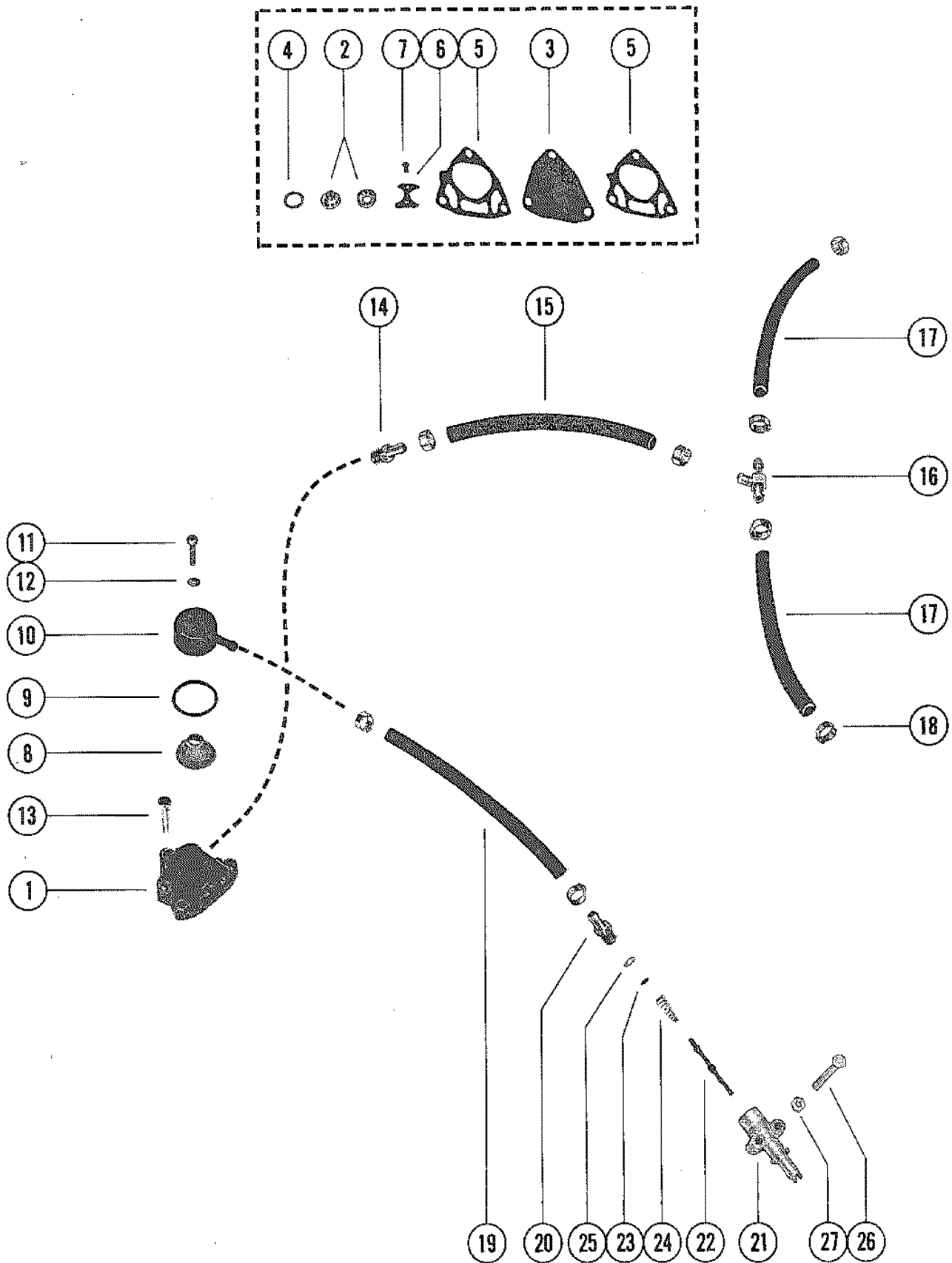


CARBURETOR ASSEMBLY

REF. NO.	PART NO.	SYM.	QTY.	DESCRIPTION
1	1379-6071A10		1	CARBURETOR ASSEMBLY, COMPLETE (TOP)
	1379-6071A11		1	CARBURETOR ASSEMBLY, COMPLETE (BOTTOM)
2	1399-3795		2	JET, VENT BOWL (.072)
3	1395-4555		2	INLET NEEDLE AND SEAT
4		■◇	2	GASKET, INLET NEEDLE AND SEAT
5	1395-6685		2	VENTURI
6		■	2	NOZZLE
7		■	2	IDLE NEEDLE
8		■	2	SPRING, IDLE MIXTURE
9		■	6	PIN, FLOAT
10		■	2	LEVER, FLOAT
11	1395-6197		2	FLOAT
12	1395-6488		2	FUEL BOWL
13		■◇	2	GASKET, FUEL BOWL
14		■	8	SCREW, FUEL BOWL
15	1395-6199		2	PLUG, MAIN JET
16	1395-6247		2	JET, MAIN (.090)
17		■◇	2	GASKET, MAIN JET PLUG
18		■	2	SCREEN, FUEL INLET
19		■	4	WELCH PLUG (9/16")
20	1395-4807		2	SHAFT, THROTTLE
21	1395-6196		2	VALVE, THROTTLE
22		■	4	SCREW, VALVE TO THROTTLE SHAFT
23	1395-6204		2	SEAL, THROTTLE SHAFT
24	1395-6203		2	WASHER, THROTTLE SHAFT
25		■	2	SPRING, THROTTLE RETURN
26	1395-6198		2	VALVE ASSEMBLY, ENRICHMENT
27		■	2	SCREW, ENRICHMENT BRACKET
28		■	2	WELCH PLUG (7/16")
29	27-73377	●	2	GASKET, CARBURETORO
-	1395-6200		2	GASKET KIT
-	1395-6360		2	REPAIR PARTS KIT
-	27-73645A76		0	GASKET SET

- = CONTENTS OF A-[27-73645A76] GASKET SET
- = COMPONENT OF REPAIR PARTS KIT
- ◇ = COMPONENT OF GASKET AND PACKING SET

FUEL PUMP AND FUEL LINES

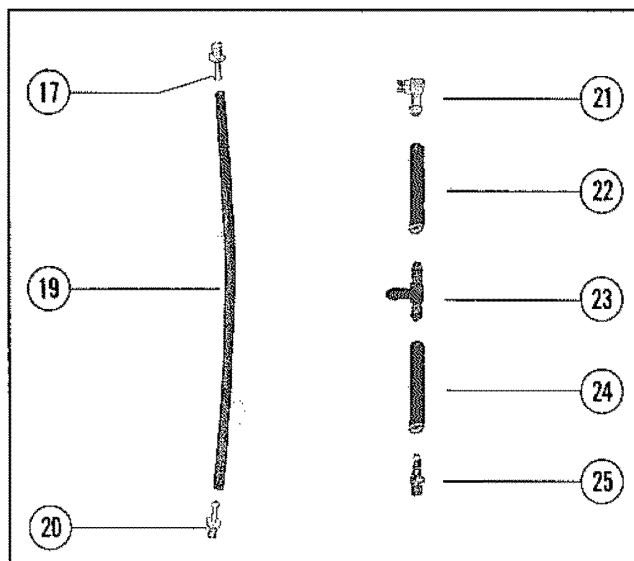
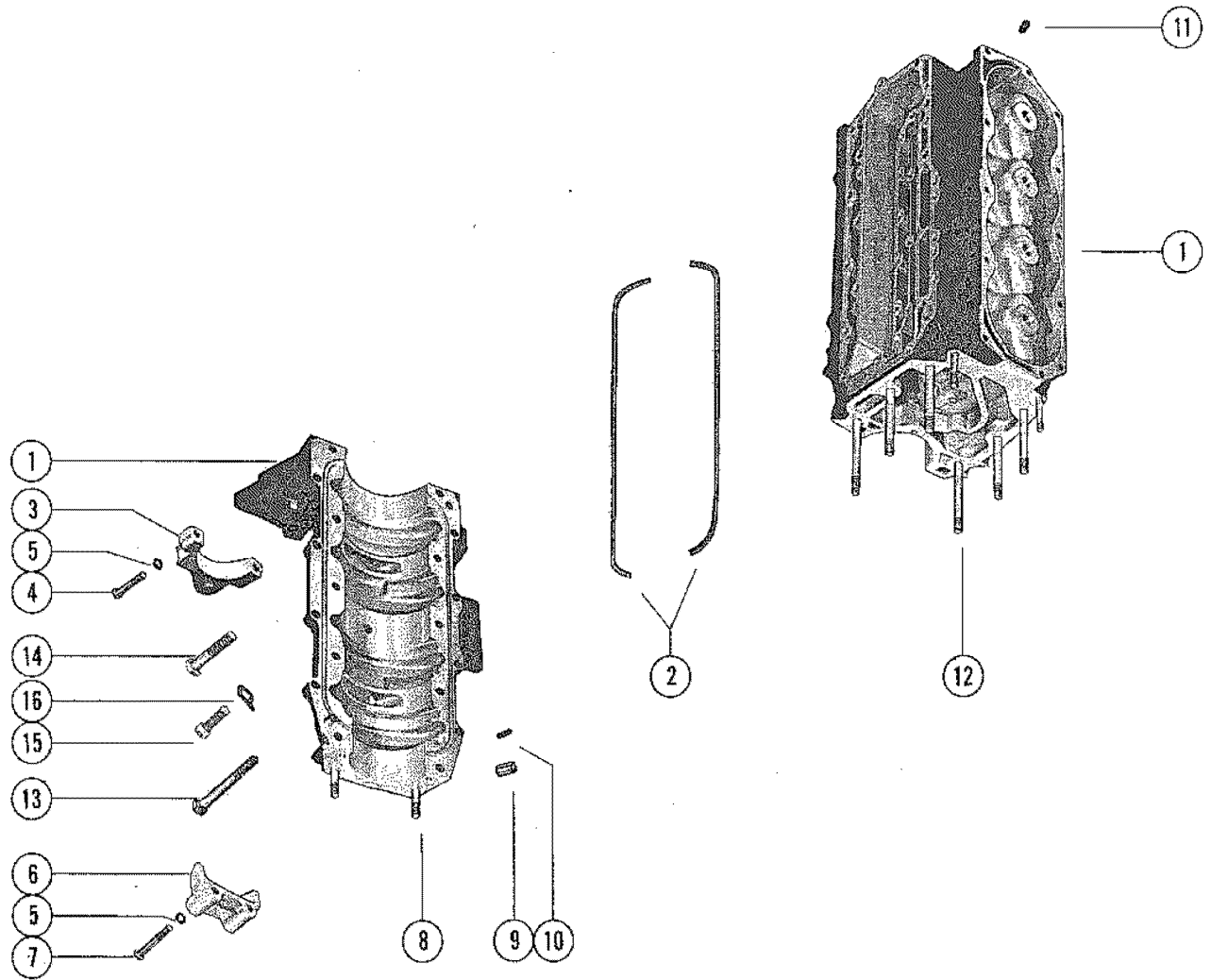


FUEL PUMP AND FUEL LINES

REF. NO.	PART NO.	SYM.	QTY.	DESCRIPTION
1	73434A1		1	FUEL PUMP ASSEMBLY
2	21-30430A5		1	CHECK VALVE ASSEMBLY
3	55278A2	●	1	DIAPHRAGM ASSEMBLY
4		●	2	GASKET, CHECK VALVE
5		●	2	GASKET, FUEL PUMP
6	23004		1	RETAINER, CHECK VALVE
7	10-20037		2	SCREW, CHECK VALVE TO FUEL PUMP (1/4")
8	35-73532	●	1	FUEL FILTER
9	25-47386	●	1	"O" RING, COVER TO FUEL PUMP
10	77885		1	COVER, FUEL PUMP
11	10-37370		1	SCREW, COVER TO FUEL PUMP (5/8")
12	27-25848	●	1	GASKET, COVER SCREW
13	10-70939		1	SCREW FUEL PUMP TO UPPER TRANSFER COVER 91 7/8")
	10-27281		2	SCREW FUEL PUMP TO UPPER TRANSFER COVER (1 3/8")
14	22-64705		1	FITTING, FUEL PUMP (OUTLET)
15	32-63146		1	FUEL LINE, TEE TO FUEL PUMP (11")
16	22-73318		1	TEE, FUEL LINE
17	32-63146		2	FUEL LINE CARBURETOR TO TEE TO CARBURETOR (3")
18	54-68424		8	CLAMP, FUEL LINE ATTACHING
19	32-70432		1	FUEL LINE, ADAPTOR TO FUEL PUMP (15")
20	22-63187		1	FITTING, FUEL LINE TO ADAPTOR
21	22833		1	ADAPTOR, CHECK UNIT (FUEL LINE)
22	23069		1	STEM, CHECK UNIT ADAPTOR
23	25-20415	●	1	"O" RING, ADAPTOR STEM
24	24-23067		1	SPRING, ADAPTOR STSEM
25	30188		1	CUP WASHER, ADAPTOR
26	10-69029		2	SCREW, ADAPTOR TO BOTTOM COWL (1 3/4")
27	11-36069		2	NUT, ADAPTOR SCREW
-	27-73645A76		0	GASKET SET

● = CONTENTS OF A-[27-73645A76] GASKET SET

CYLINDER BLOCK AND CRANKCASE ASSEMBLY



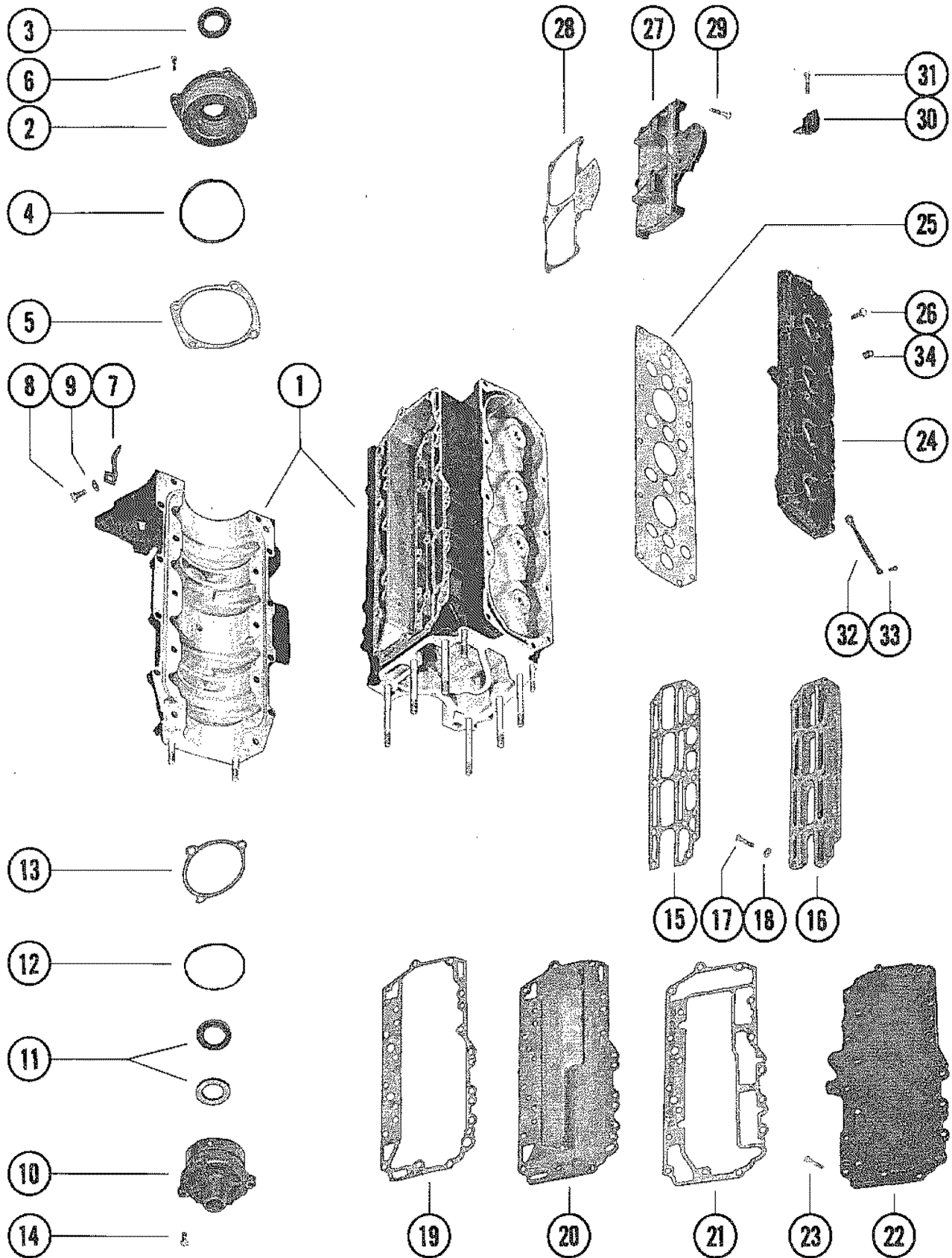
CYLINDER BLOCK AND CRANKCASE ASSEMBLY

REF. NO.	PART NO.	SYM.	QTY.	DESCRIPTION
1	871-6591A3		1	CYLINDER BLOCK AND CRANKCASE ASSEMBLY
2	27-53650	●	2	GASKET, CRANKCASE TO CYLINDER BLOCK
3	56029		1	COVER, STARTER MOTOR (UPPER)
4	10-31984		1	SCREW, COVER TO CRANKCASE (1 3/8")
	10-35385		1	SCREW, COVER TO CRANKCASE (1 3/4")
5	13-26993		4	LOCKWASHER, COVER SCREW
6	76867		1	COVER, STARTER MOTOR (LOWER)
7	10-39767		1	SCREW, COVER TO CRANKCASE (1 7/8")
	10-73658		1	SCREW, COVER TO CRANKCASE (1/2")
8	16-64281		2	STUD CRANKCASE TO DRIVE SHAFT HOUSING (1 7/8")
9	17-20033		2	PIN, DOWEL - CRANKCASE TO CYLINDER BLOCK
10	17-63779		2	PIN, DOWEL - CYLINDER BLOCK TO MAIN BEARING
11	66517		3	RESTRICTOR, CRANKCASE BLEED
12	16-64282		6	STUD CYLINDER BLOCK TO EXHAUST EXTENSION PLATE (4")
13	10-57841		2	SCREW, CRANKCASE TO CYLINDER BLOCK (2 3/4")
	10-53016		2	SCREW, CRANKCASE TO CYLINDER BLOCK (1 1/4")
14	10-73657		15	SCREW, CRANKCASE TO CYLINDER BLOCK (1 1/2")
15	10-20359		1	SCREW, CENTER MAIN BEARING LOCKING (1")
16	14-20091		1	TAB WASHER, BEARING LOCKING SCREW
17	21-77560		1	CHECK VALVE, BLEED HOSE - TOP
19	32-54936		1	HOSE, CYLINDER BLEED (15 1/2")
20	21-77561		1	CHECK VALVE, BLEED HOSE - BOTTOM
21	22-25885		1	ELBOW BALANCE HOSE TO CYLINDER BLOCK - UPPER
22	32-34395A1		1	HOSE ASSEMBLY, BALANCE (6 1/4")
23	22-65348		1	TEE, BALANCE HOSE TO CYLINDER BLOCK - LOWER
24	32-54936		1	HOSE, BALANCE (5")
25	22-65857		1	FITTING, AIR INLET COVER
-	27-73645A76		0	GASKET SET

FOR REPLACEMENT OF POWERHEAD ASSEMBLY, COMPLETE, WHICH INCLUDES CYLINDER BLOCK AND CRANKCASE, PISTONS, CONNECTING RODS, AND BEARINGS, ETC. ORDER: POWERHEAD ASSEMBLY A-[64668A78]

● = CONTENTS OF A-[27-73645A76] GASKET SET

END CAPS, MANIFOLD AND EXHAUST COVER

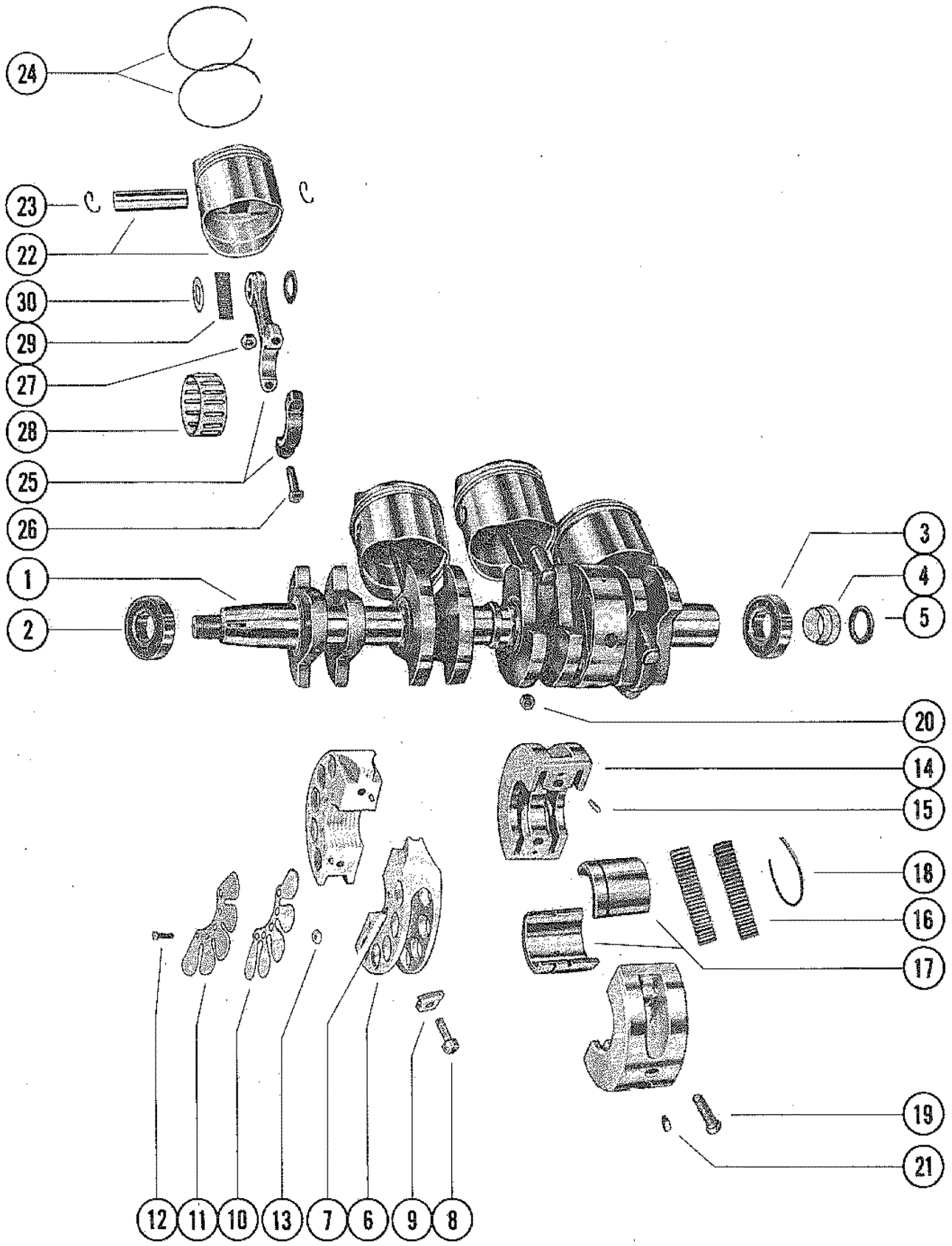


END CAPS, MANIFOLD AND EXHAUST COVER

REF. NO.	PART NO.	SYM.	QTY.	DESCRIPTION
1	871-6591A3		1	CYLINDER BLOCK AND CRANKCASE ASSEMBLY
2	1161-5940A2		1	END CAP ASSEMBLY, UPPER
3	26-29476		1	OIL SEAL
4	25-47254	●	1	"O" RING
5	15-73644A1		AR	SHIM ASSEMBLY END CAP TO CRANKCASE (.006-8-10)
6	10-73169		4	SCREW, END CAP MOUNTING (1")
7	76367		1	POINTER, TIMING
8	10-35585		1	SCREW, TIMING POINTER ATTACHING (3/4")
9	12-20533		1	WASHER, TIMING POINTER SCREW
10	1148-5410A1		1	END CAP ASSEMBLY, LOWER
11	26-29476		2	OIL SEAL
12	25-32546	●	1	"O" RING
13	15-20085A1		AR	SHIM, END CAP TO CRANKCASE (.002-3-5-10)
14	10-30225		3	SCREW, END CAP MOUNTING (1")
15	27-73665	●	1	GASKET, WATER JACKET COVER
16	76198		1	COVER, WATER JACKET - CYLINDER BLOCK
17	10-53167		16	SCREW WATER JACKET COVER TO CYLINDER BLOCK (7/8')
18	12-70132		16	WASHER WATER JACKET COVER FASTENING SCREW
19	27-72510	●	1	GASKET, CYLINDER BLOCK TO BAFFLE PLATE
20	73436		1	PLATE, BAFFLE - EXHAUST MANIFOLD
21	27-72508	●	1	GASKET BAFFLE PLATE TO EXHAUST MANIFOLD COVER
22	78277A1		1	COVER, EXHAUST MANIFOLD
23	10-53576		18	SCREW, MANIFOLD COVER MOUNTING (1 1/8")
24	1021-3514		1	COVER, CYLINDER BLOCK
25	27-72505	●	1	GASKET, CYLINDER BLOCK COVER
26	10-69100		12	SCREW, CYLINDER BLOCK COVER MOUNTING (1")
27	73320		1	COVER, TRANSFER PORT - TOP
	73321		1	COVER, TRANSFER PORT - BOTTOM
28	27-73645	●	1	GASKET, TRANSFER PORT COVER
29	10-49668		14	SCREW, TRANSFER PORT COVER MOUNTING (3/4")
30	37440		1	BRACKET, MOUNT SUPPORT - CYLINDER BLOCK
31	10-24234		1	SCREW, BRACKET TO CYLINDER BLOCK (1")
32	46933A3		2	GROUND STRAP ASSEMBLY EXHAUST COVER SCREW
33	10-62568		2	SCREW, GROUND STRAP ATTACHING (3/8")
34	22-68307		1	PLUG, PIPE - CYLINDER BLOCK COVER
-	27-73645A76		0	GASKET SET

● = CONTENTS OF A-[27-73645A76] GASKET SET

CRANKSHAFT, PISTON AND CONNECTING ROD



CRANKSHAFT, PISTON AND CONNECTING ROD

REF. NO.	PART NO.	SYM.	QTY.	DESCRIPTION
1	440-6647A2		1	CRANKSHAFT ASSEMBLY
2	30-32117		1	BEARING, BALL - UPPER
3	30-63742		1	BEARING, BALL - LOWER
4	54196A6		1	CARRIER ASSEMBLY
5	65800	●	1	PACKING, CARRIER
6	540-5266A5		2	MAIN BEARING ASSEMBLY (VALVE TYPE)
7	17-20032		4	DOWEL PIN, MAIN BEARING
8	10-45775		4	SCREW, MAIN BEARING CLAMPING
9	11-45774		4	NUT, MAIN BEARING CLAMPING SCREW
10	34-56007A1		2	REED SET, MATCHED - MAIN BEARING
11	34-56008		8	REED STOP, MAIN BEARING REED VALVES
12	10-62204		20	SCREW, REED STOP MOUNTING
13	11-53153		20	NUT, REED STOP MOUNTING SCREW
14	535-5397A4		1	CENTER MAIN BEARING ASSEMBLY
15	17-20032		2	DOWEL PIN, CENTER MAIN BEARING
16	29-52168		56	BEARING, NEEDLE
17	26113		1	RACE, OUTER (PAIR)
18	53-26933		1	RING, SNAP - OUTER RACE CLAMPING
19	10-22968		2	SCREW, CENTER MAIN BEARING CLAMPING
20	11-46887		2	NUT, MAIN BEARING CLAMPING SCREW
21	17-47246		1	DOWEL PIN, (STEPPED)
22	745-6664A3		4	PISTON AND PISTON PIN ASSEMBLY
23	40-52035		8	LOCK RING, PISTON PIN
24	39-78816A12		1	RING, PISTON
25	622-4850A3		4	CONNECTING ROD AND CAP ASSEMBLY
26	10-54803		8	SCREW, CAP TO CONNECTING ROD
27	11-49091		8	NUT, CONNECTING ROD SCREW
28	31-62596A1		4	BEARING ASSEMBLY, CRANKPIN
29	29-47270		116	BEARING, NEEDLE - PISTON PIN
30	12-47247		8	WASHER, NEEDLE LOCATING
-	745-6695A5		4	PISTON AND PISTON PIN ASSEMBLY (.015) OVERSIZE PISTON AND RING
-	39-78811A12		1	RING, PISTON (.015) OVERSIZE PISTON AND RING
-	27-73645A76		0	GASKET SET

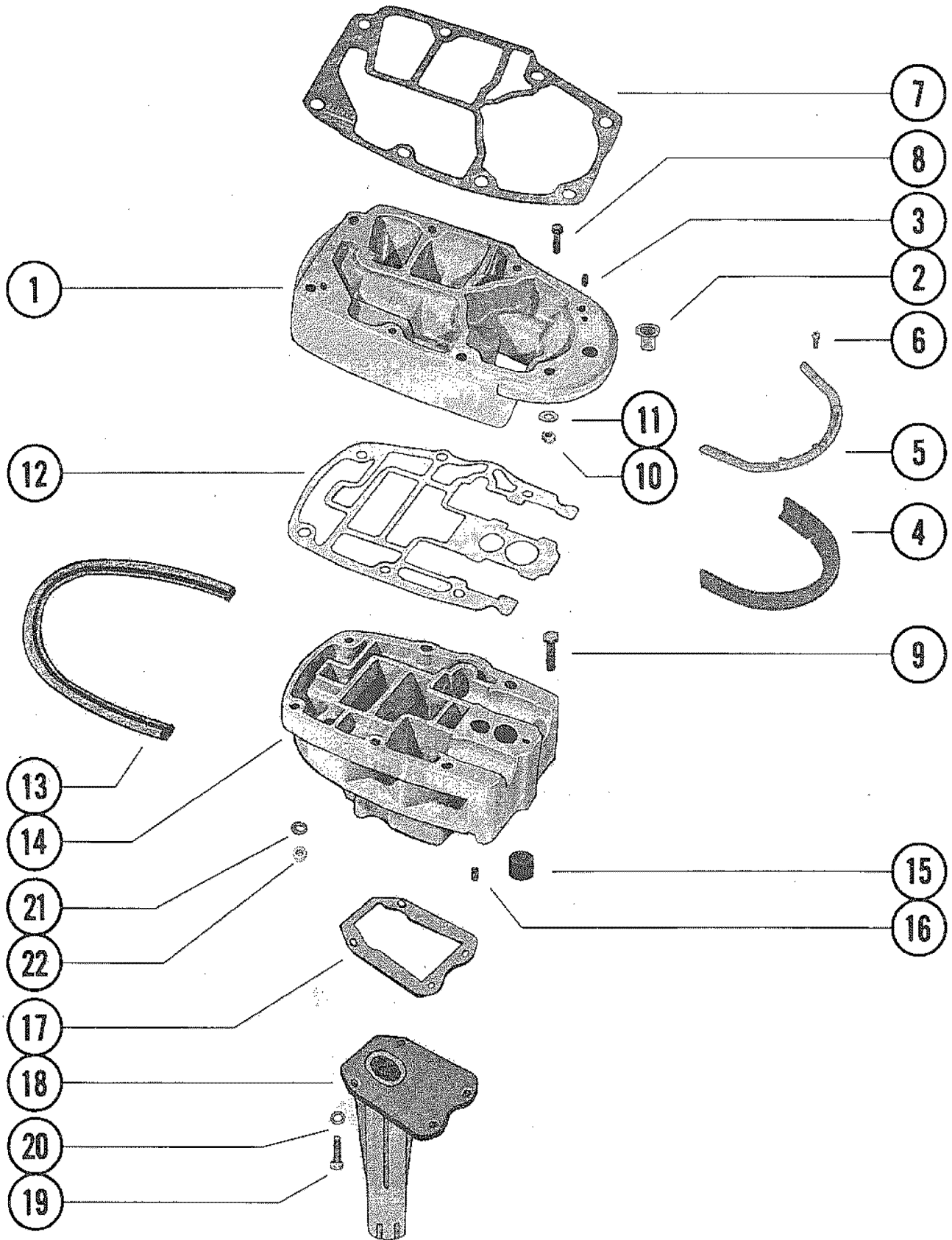
● = CONTENTS OF A-[27-73645A76] GASKET SET

BOTTOM COWL AND SHIFT LINKAGE

REF. NO.	PART NO.	SYM.	QTY.	DESCRIPTION
1	2158-5938		1	COWL, BOTTOM
2	74303		1	COVER, AIR INLET
3	10-62568		4	SCREW, COVER TO BOTTOM COWL (3/8')
3A	12-30164		4	WASHER, COVER SCREW
4	27-73646	●	1	GASKET, BOTTOM COWL
5	39616		1	BOOT, CONTROL CABLES - BOTTOM COWL
6	37637		1	BOOT, FUEL CONNECTOR - BOTTOM COWL
7	37445		1	SUPPORT, WIRING HARNESS - BOTTOM COWL
8	10-69029		2	SCREW, SUPPORT TO COWL (1 3/4")
9	11-36069		2	NUT, WIRING HARNESS SUPPORT SCREW
10	32-34395A1		1	HOSE TELL TALE - EXH. COVER TO BOTTOM COWL (14 3/4")
11	52889		1	NOZZLE, TELL TALE HOSE TO BOTTOM COWL
12	10-48408		1	SCREW TELL TALE NOZZLE TO BOTTOM COWL (1/2")
13	22-78279		1	ELBOW, TELL TALE HOSE TO CYLINDER BLOCK
14	60304A55		1	SHIFT SHAFT ASSEMBLY, UPPER (SHORT SHAFT)
	60304A54		1	SHIFT SHAFT ASSEMBLY, UPPER (LONG SHAFT)
16	23-26856		1	BUSHING, SHIFT SHAFT
17	73402		1	SHIFT LINK
18	12-35462		2	WASHER, LINK ROD (SHIFT LEVER END)
19	11-36069		2	NUT, LINK ROD
20	13-29720		1	WASHER, WAVE - LINK ROD
21	24-20099		1	SPRING, LINK ROD TO GUIDE BLOCK
22	37896		1	GUIDE BLOCK, LINK ROD
23	52732		1	BRACKET, ANCHOR - CONTROL CABLES
24	39519		1	CAP, BARREL RETAINER - ANCHOR
25	39618		1	LEVER, NYLON - SHIFT CABLE LOCKING
26	17-47175		3	PIN, LOCKING LEVER AND COVER FASTENING
27	39667		1	COVER, NYLON - SHIFT CABLE
28	65799		1	LINK, LOCKING LEVER TO COVER
29	10-24234		3	SCREW ANCHOR BRACKET TO CYLINDER BLOCK (1")
30	52100		1	WEAR PLATE, LINK ROD
31	38279		1	LATCH CONTROL CABLE FASTENING - ANCHOR BRACKET

● = CONTENTS OF A-[27-73645A76] GASKET SET

EXHAUST EXTENSION PLATE

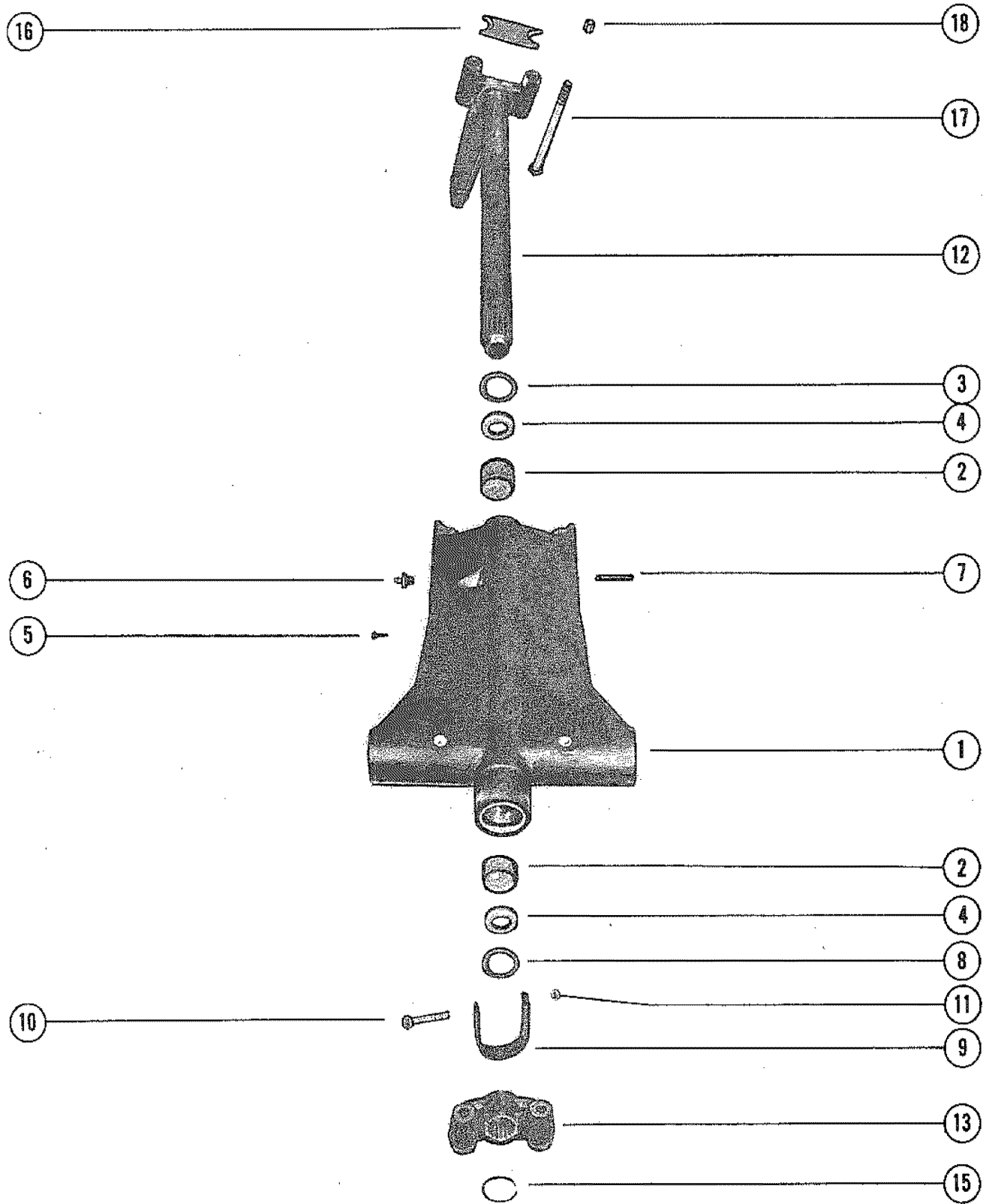


EXHAUST EXTENSION PLATE

REF. NO.	PART NO.	SYM.	QTY.	DESCRIPTION
1	66096A1		1	PLATE ASSEMBLY, EXHAUST EXTENSION
2	23-27132		1	BUSHING, NYLONG - EXHAUST EXTENSION PLATE
3	17-23784		2	DOWEL PIN, EXHAUST EXTENSION PLATE
4	37918		1	SEAL, EXHAUST EXTENSION PLATE
5	38032		1	STRIP, RETAINING - EXHAUST EXTENSION PLATE
6	10-37571		5	SCREW SEAL AND RETAINING STRIP TO EXH. PLATE (1/2")
7	27-69238	●	1	GASKET POWERHEAD TO EXHAUST EXTENSION PLATE
8	10-66023		2	SCREW, ADAPTOR PLATE TO HOUSING PLATE (2")
9	10-66023		7	SCREW HOUSING PLATE TO DRIVE SHAFT HOUSING (2")
10	11-69254		2	NUT CRANKCASE STUDS TO EXHAUST EXTENSION PLATE
11	12-25970		2	WASHER CRANKCASE STUDS TO EXHAUST EXTENSION PLATE
12	27-66102	●	1	GASKET, PLATE TO DRIVE SHAFT HSG. PLATE
13	26-60898		1	SEAL, DRIVE SHAFT HOUSING PLATE
14	74257A3		1	PLATE ASSEMBLY, DRIVE SHAFT HOUSING
15	26-38970	●	1	SEAL, RUBBER WATER INLET TUBE (DRIVE SHAFT HSG. PLATE)
16	17-23784		2	DOWEL PIN, DRIVE SHAFT HOUSING PLATE
17	27-69860	●	1	GASKET DRIVE SHAFT HOUSING PLATE TO EXHAUST TUBE
18	74199		1	EXHAUST TUBE
19	10-61010		4	SCREW EXHAUST TUBE TO DRIVE SHAFT HOUSING PLATE (3/4")
20	13-26992		4	LOCKWASHER, EXHAUST TUBE SCREW
21	12-25970		6	WASHER, POWERHEAD STUDS
22	11-34932		6	NUT, POWERHEAD STUDS
-	27-73645A76		0	GASKET SET

● = CONTENTS OF A-[27-73645A76] GASKET SET

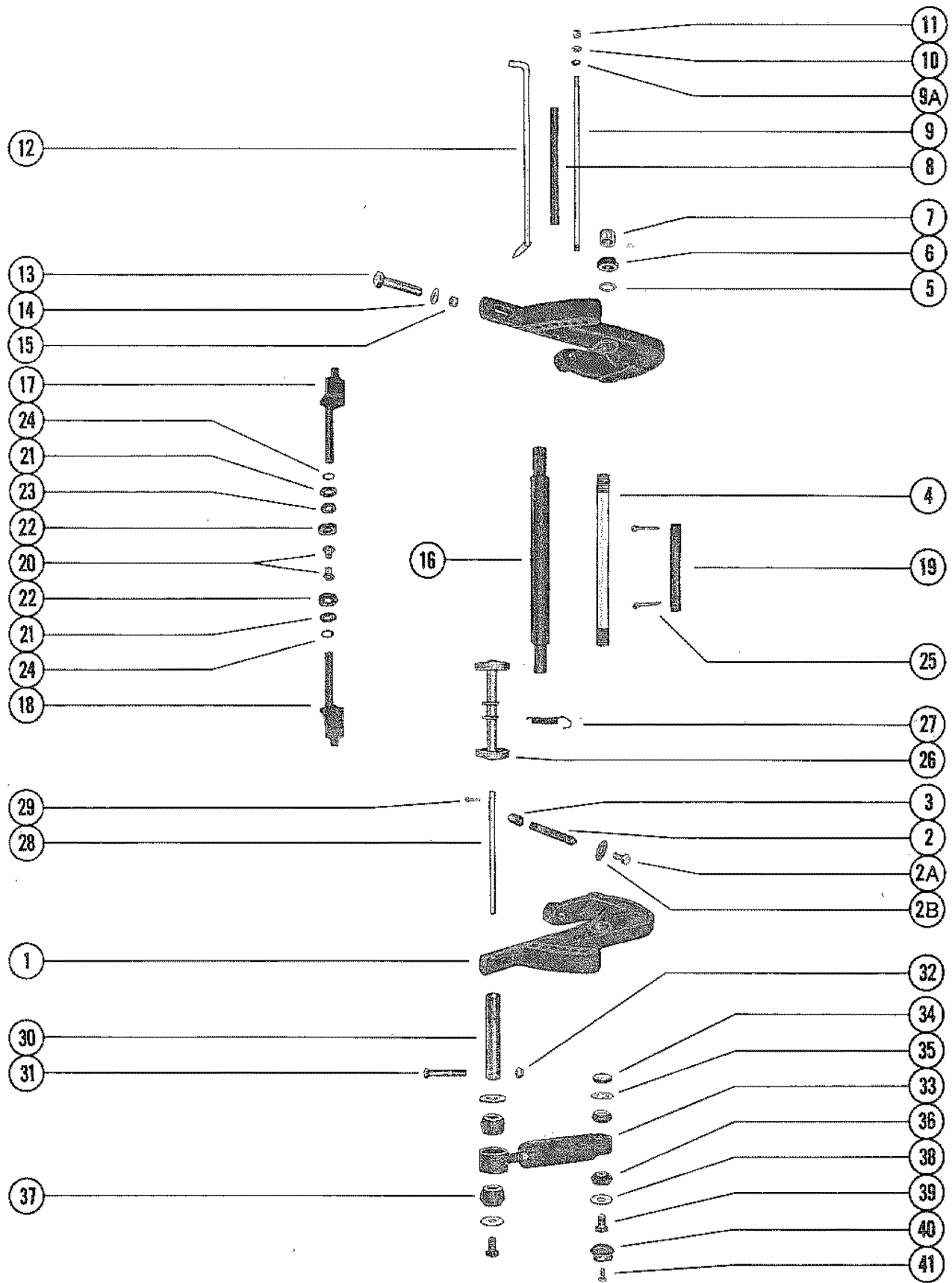
SWIVEL BRACKET ASSEMBLY



SWIVEL BRACKET ASSEMBLY

REF. NO.	PART NO.	SYM.	QTY.	DESCRIPTION
1	1453-6019A2		1	SWIVEL BRACKET ASS'Y(SHORT SHAFT)
	1482-6386A4		1	SWIVEL BRACKET ASS'Y (LONG SHAFT)
2	23-69341		2	BUSHING, SWIVEL BRACKET
3	12-69342		1	WASHER, SWIVEL PIN - UPPER
4	26-37448		2	OIL SEAL, SWIVEL BRACKET
5	10-47828		1	SCREW, DRIVE - SWIEL BRACKET
6	22-74036		3	FITTING, GREASE
7	17-25598		1	PIN, REVERSE LOCK SPRING ATTACHING
8	12-69380		1	WASHER, SWIVEL PIN - LOWER
9	28205		1	STRAP STOP DRIVE SHAFT HOUSING TO SWIVEL BRACKET
10	10-56743		1	SCREW STRAP STOP TO HOUSING (3 1/8")-SHORT SHAFT
	10-28200		1	SCREW STRAP STOP TO HOUSING (3 7/8")-LONG SHAFT
11	11-25269		1	NUT, STRAP STOP FASTENING SCREW
12	17-73594A1		1	SWIVEL PIN ASS'Y (SHORT SHAFT)
	17-73593A1		1	SWIVEL PIN ASS'Y (LONG SHAFT)
13	73984		1	YOKE, BOTTOM
15	53-73591		1	SNAP RING, YOKE ATTACHING
16	28203		1	BUMPER, STEERING ARM
17	10-49554		2	BOLT, STEERING ARM TO UPPER MOUNT (5 7/8")
18	11-34933		2	NUT, STEERING ARM BOLT FASTENING

CLAMP BRACKET AND REVERSE LOCK



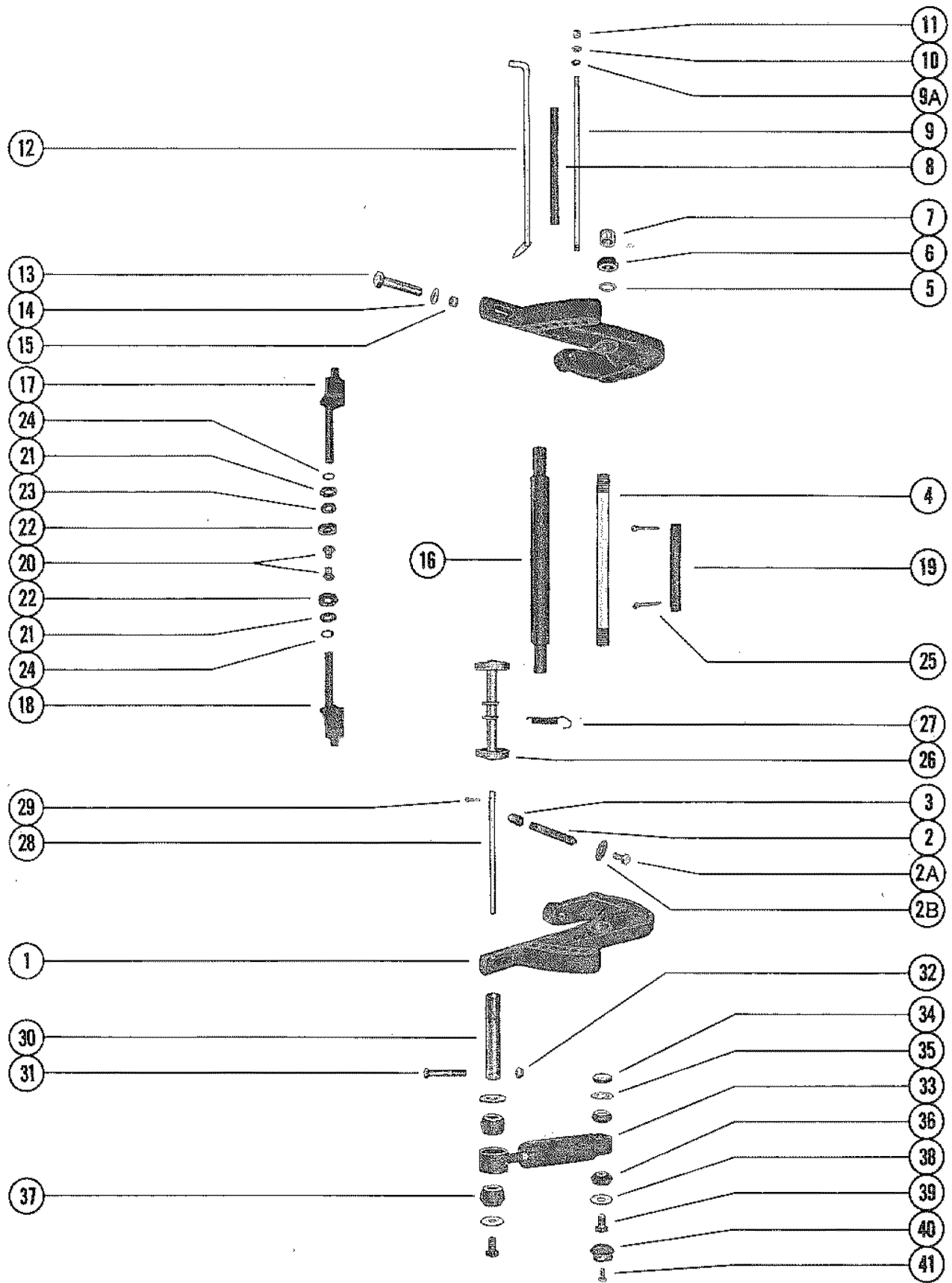
CLAMP BRACKET AND REVERSE LOCK

REF. NO.	PART NO.	SYM.	QTY.	DESCRIPTION
1	1440-6625A3		2	CLAMP BRACKET ASSEMBLY
2	10-78492A1		2	THUMB SCREW ASSEMBLY
2A	10-78495		2	SCREW, THUMB SCREW
2B	12-78493		2	WASHER, THUMB SCREW
3	75043		1	COVER, THUMB SCREW
4	74528		1	TUBE, TILT - CLAMP BRACKET TO SWIVEL BRACKET
5	12-52864		2	WASHER, CLAMP BRACKET TILT TUBE
6	11-56041		2	NUT, TILT TUBE FASTENING
7	53078		2	CAP, PLASTIC - TILT TUBE
8	23-59624		1	SPACER, CLAMP BRACKET STUD
9	16-59625		1	STUD, CLAMP BRACKET
9A	12-36001		1	WASHER, CLAMP BRACKET STUD
10	13-26993		2	LOCKWASHER, CLAMP BRACKET STUD
11	11-28770		2	NUT, CLAMP BRACKET STUD
12	17-49930A1		1	TILT LOCK PIN ASSEMBLY
13	10-68298		2	BOLT, CLAMP BRACKET TO BOAT TRANSOM (3 1/4")
14	12-68410		2	WASHER, CLAMP BRACKET BOLT
13	10-68299		2	BOLT, CLAMP BRACKET TO TRANSOM (3")
14	12-68300		2	WASHER, CLAMP BRACKET BOLT
15	11-68411		4	NUT, CLAMP BRACKET BOLT
16	55-28416		1	PIN, UPPER SHOCK MOUNTING
19	47802		1	TUBE, TILT LOCK (SHORT SHAFT)
20	23-47803		2	BUSHING, TILT LOCK TUBE (SHORT SHAFT)
21	13-69150		2	WASHER, WAVE-TILT LOCK TUBE (SHORT SHAFT)
17	76386		1	TILT LOCK ASSEMBLY, STARBOARD
18	76385		1	TILT LOCK ASSEMBLY, PORT
19	76387		1	TUBE, TILT LOCK (LONG SHAFT)
21	13-69150		1	WASHER WAVE-TILT LOCK (STARBOARD SIDE ONLY) -LONG SHAFT
22	26-22734		2	OIL SEAL SWIVEL BRACKET (TILT LOCK) -LONG SHAFT
23	12-76388		3	WASHER TILT LOCK (STARBOARD SIDE ONLY) -LONG SHAFT
24	25-62702	●	2	"O" RING, TILT LOCK (LONG SHAFT)
25	18-47959		2	COTTER PIN, TILT LOCK
26	70692		2	REVERSE LOCK ASSEMBLY
27	24-29821		1	SPRING, REVERSE LOCK (SHORT SHAFT)
	24-78203A1		1	SPRING ASSEMBLY, REVERSE LOCK (LONG SHAFT)
28	56349		1	SHAFT, REVERSE LOCK PIVOT
29	18-45882		1	COTTER PIN, REVERSE LOCK TO SHAFT
30	55-65447		2	PIN, LOCK SHOCK MOUNTING (SHORT SHAFT)
	55-28414		2	PIN, LOWER SHOCK MOUNTING (LONG SHAFT)
31	10-21937		2	SCREW, LOWER SHOCK PIN (2") (LONG SHAFT)
32	11-46887		2	NUT, LOWER SHOCK PIN SCREW (LONG SHAFT)

● = CONTENTS OF A-[27-73645A76] GASKET SET

CONTINUED ON NEXT PAGE ➡

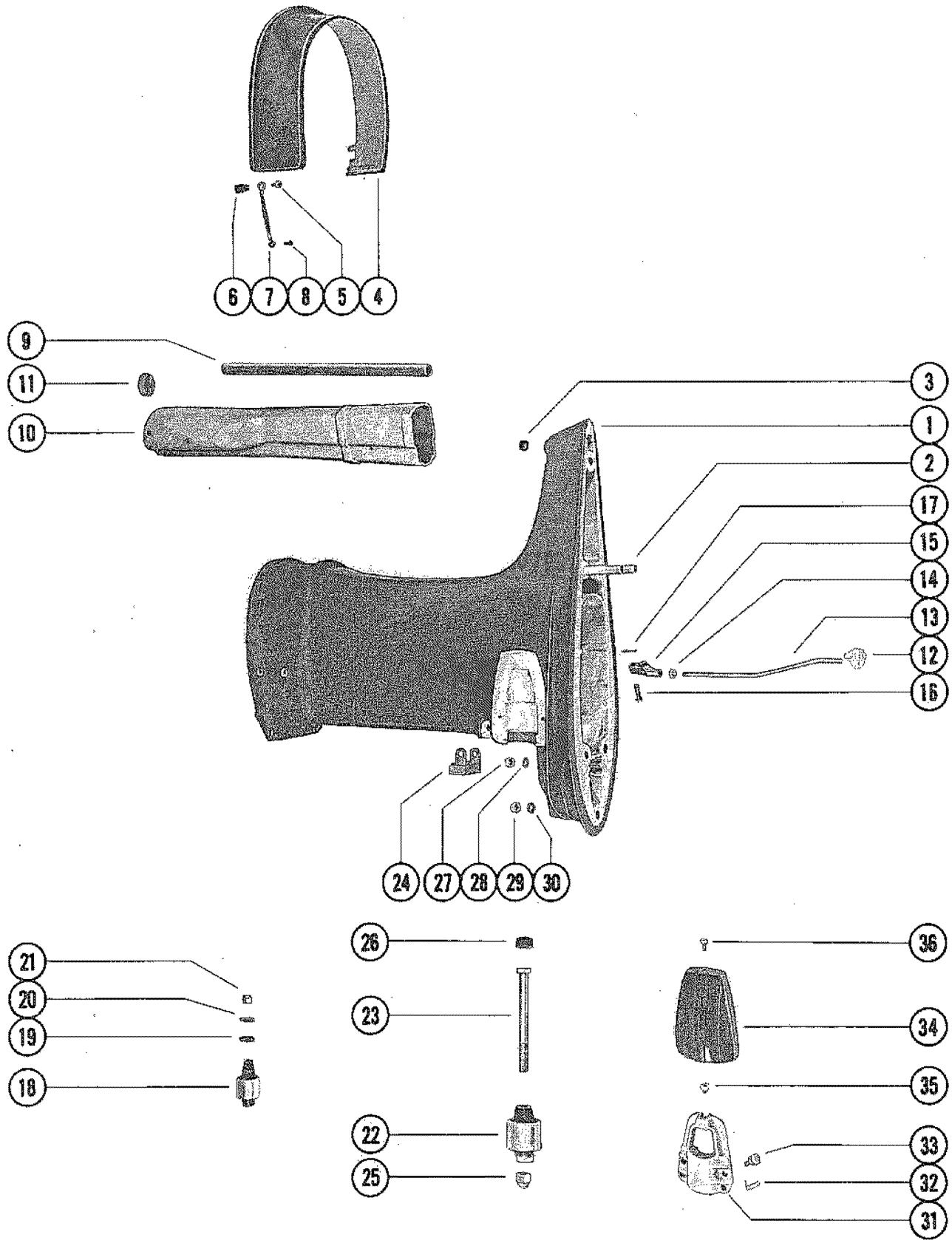
CLAMP BRACKET AND REVERSE LOCK



CLAMP BRACKET AND REVERSE LOCK

REF. NO.	PART NO.	SYM.	QTY.	DESCRIPTION
33	55-58780A2		2	SHOCK ABSORBER
34	23-73203		2	SPACER UPPER SHOCK BUSHING TO CLAMP BRACKET
35	12-28196		2	WASHER, UPPER BUSHING RETAINER (INNER)
36	23-32171		4	BUSHING, RUBBER-SHOCK ABSORBER (UPPER)
37	23-28198		4	BUSHING, RUBBER-SHOCK ABSORBER (LOWER)
38	12-69374		4	WASHER UPPER/LOWER SHOCK MOUNTING PIN (LOWER)
39	10-69375		4	SCREW UPPER AND LOWER SHOCK MOUNTING PIN
40	23-69132		2	BUSHING PIVOT SHAFT
-	27-73645A76		0	GASKET SET

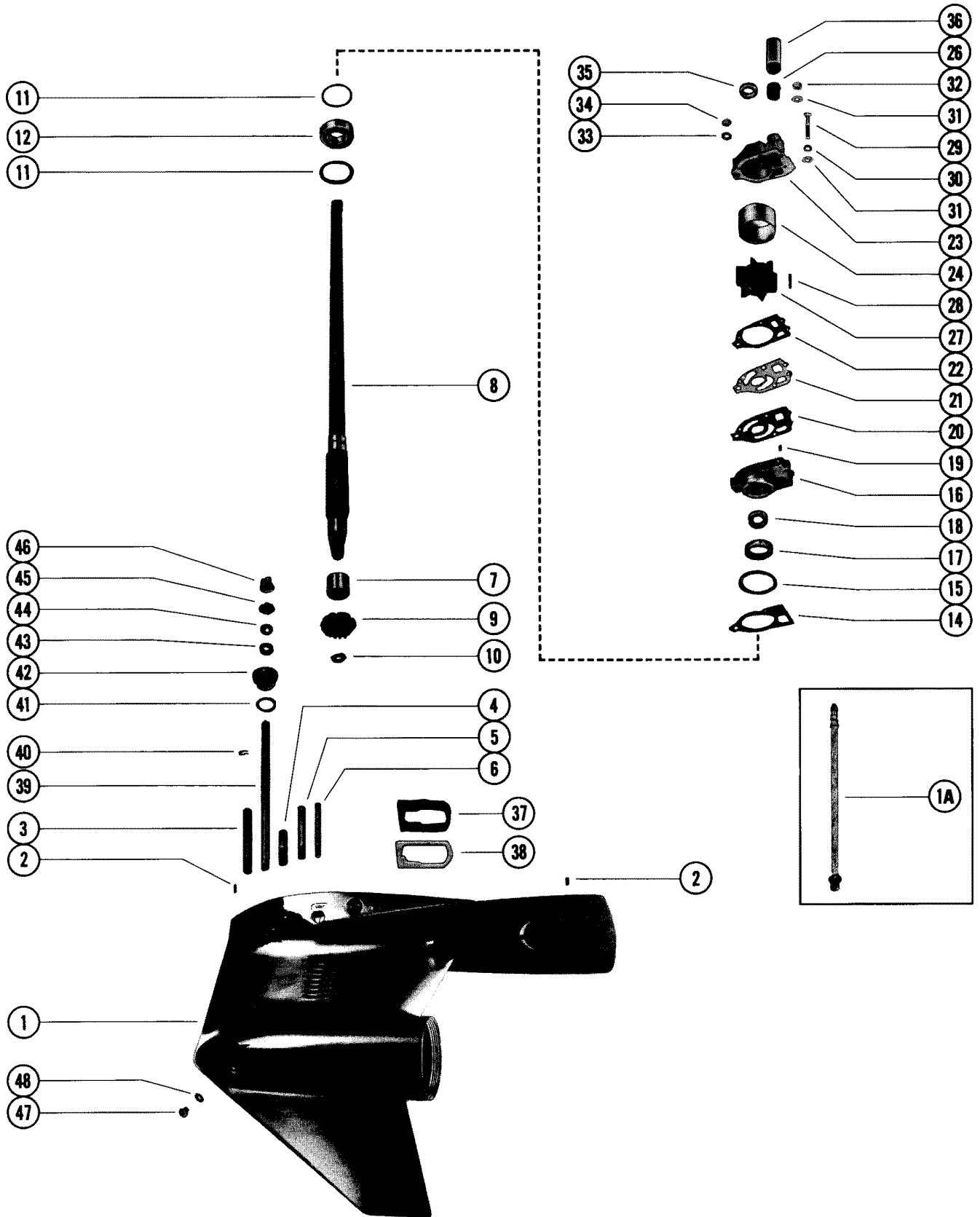
DRIVE SHAFT HOUSING ASSEMBLY



DRIVE SHAFT HOUSING ASSEMBLY

REF. NO.	PART NO.	SYM.	QTY.	DESCRIPTION
1	1575-5240A4		1	DRIVE SHAFT HOUSING ASSEMBLY (SHORT SHAFT)
	1573-5239A4		1	DRIVE SHAFT HOUSING ASSEMBLY (LONG SHAFT)
2	16-56295		2	STUD DRIVE SHAFT HOUSING TO GEAR HOUSING (2 11/16")
3	19-64649		1	PLUG, PLASTIC-TRIM TAB SCREW HOLE
5	10-57807		4	SCREW, TRIM COVER TO BOTTOM COWL (3/4")
6	25-57806		4	GROMMET, TRIM COVER SCREW
7	46933A2		2	GROUND STRAP ASSEMBLY, TRIM COVER SCREW
8	10-62568		2	SCREW, GROUNG STRAP ATTACHING
9	32-62864		1	TUBE, WATER INLET (SHORT SHAFT)
	32-60897		1	TUBE, WATER INLET (LONG SHAFT)
10	65370		1	TUBE, EXHAUST (SHORT SHAFT)
	78184		1	TUBE, EXHAUST (LONG SHAFT)
11	65638		2	BOOT, EXHAUST TUBE
12	25887		1	GUIDE, PUSH ROD-REVERSE LOCKING
13	47591		1	ROD, PUSH-REVERSE LOCK (SHORT SHAFT)
	47558		1	ROD, PUSH-REVERSE LOCK (LONG SHAFT)
14	11-47661		1	NUT, JAM-PUSH ROD
15	47559		1	YOKE, PUSH ROD
16	17-39023		1	PIN, PUSH ROD TO REVERSE LOCK
17	18-25191		1	COTTER PIN, PUSH ROD PIN
18	75297		2	MOUNT, RUBBER-UPPER (SHORT SHAFT)
	75296		1	MOUNT, RUBBER-UPPER (LONG SHAFT)
19	12-47840		2	WASHER, RUBBE5R-UPPER MOUNT BOLT
20	12-31263		2	WASHER, UPPER MOUNT BOLT
21	11-34933		2	NUT, UPPER MOUNT BOLT
22	75300		2	MOUNT, RUBBER-LOWER (SHORT SHAFT)
	75298		2	MOUNT, RUBBER-LOWER (LONG SHAFT)
23	10-49318		2	SCREW, UPPER MOUNT (5 1/2")
24	66336		1	MOUNT, RUBBER-LOWER (SHORT SHAFT)
25	11-25096		2	NUT, MOUNT SCREW
26	25067		2	BUMPER, RUBBER-MOUNTIN SCREW
27	11-34933		2	NUT GEAR HOUSING AND DRIVE SHAFT HOUSING STUDS
28	12-45176		2	WASHER GEAR HOUSING TO DRIVE SHAFT HOUSING STUDS
29	11-29489		1	NUT GEAR HOUSING AND DRIVE SHAFT HOUSING STUDS
30	12-45176		1	WASHER GEAR HOUSING TO DRIVE SHAFT HOUSING STUDS
31	35608		2	CLAMP LOWER MOUNT TO DROVE SHAFT HOUSING
32	24-35522		4	SPRING, TENSION-LOWER MOUNT CLAMP
33	10-29256		4	SCREW LOWER MOUNT CLAMP TO DRIVE SHAFT HOUSING (7/8")
34	35474		2	COVER, LOWER MOUNT CLAMP
35	11-35521		2	NUT, LOWER MOUNT CLAMP COVER
36	10-29722		2	SCREW, COVER TO LOWER CLAMP MOUNT (5/8")

GEAR HOUSING ASSEMBLY, COMPLETE (PAGE 1)



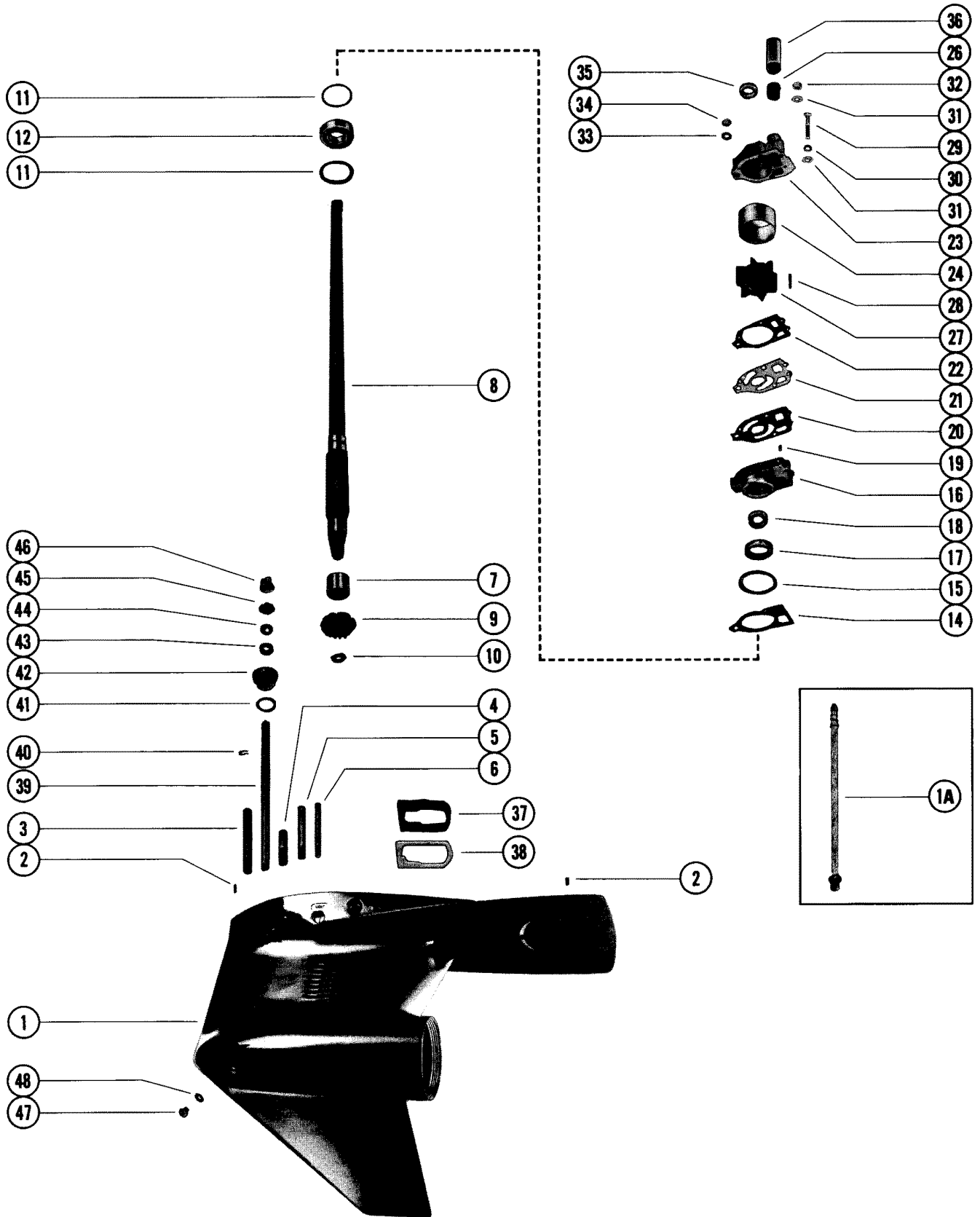
GEAR HOUSING ASSEMBLY, COMPLETE (PAGE 1)

REF. NO.	PART NO.	SYM.	QTY.	DESCRIPTION
-	162-6053A37		1	GEAR HOUSING ASS'Y, COMPLETE (SHORT SHAFT) THE ENCLOSED GEAR HOUSINGS INCLUDE ALL PARTS FROM REFERENCE #1 THRU #75 AS LISTED ON C10 AND C12 UNITED STATES 5141096 AND BELOW AUSTRALIA 8056519 AND BELOW BELGIUM 9207925 AND BELOW CANADA 7122587 AND BELOW
-	1623-6053A23		1	GEAR HOUSING ASS'Y, COMPLETE(LONG SHAFT) THE ENCLOSED GEAR HOUSINGS INCLUDE ALL PARTS FROM REFERENCE #1 THRU #75 AS LISTED ON C10 AND C12 UNITED STATES 5141096 AND BELOW AUSTRALIA 8056519 AND BELOW BELGIUM 9207925 AND BELOW CANADA 7122587 AND BELOW
-	1655-7333A27		1	GEAR HOUSING ASS'Y, COMPLETE (SHORT SHAFT) THE ENCLOSED GEAR HOUSINGS INCLUDE ALL PARTS FROM REFERENCE #1 THRU #75 AS LISTED ON C10 AND C12 UNITED STATES 5141097 AND UP AUSTRALIA 8056520 AND UP BELGIUM 9207928 AND UP CANADA 7122588 ANDUP
-	1655-7333A25		1	GEAR HOUSING ASS'Y, COMPLETE (LONG SHAFT) THE ENCLOSED GEAR HOUSINGS INCLUDE ALL PARTS FROM REFERENCE #1 THRU #75 AS LISTED ON C10 AND C12 UNITED STATES 5141097 AND UP AUSTRALIA 8056520 AND UP BELGIUM 9207928 AND UP CANADA 7122588 ANDUP
1	1623-6053A5		1	GEAR HOUSING ASSEMBLY UNITED STATES 5141096 AND BELOW AUSTRALIA 8056519 AND BELOW BELGIUM 9207925 AND BELOW CANADA 7122587 AND BELOW
	1655-7333A23		1	GEAR HOUSING ASSEMBLY UNITED STATES 5141097 AND UP AUSTRALIA 8056520 AND UP BELGIUM 9207928 AND UP CANADA 7122588 ANDUP
1A	22-85822A1		1	CONNECTOR ASSEMBLY, SPEEDOMETER UNITED STATES 5141097 AND UP AUSTRALIA 8056520 AND UP BELGIUM 9207928 AND UP CANADA 7122588 ANDUP
2	17-46912		2	DOWEL PIN, GEAR HOUSING LOCATING
3	16-57921		1	STUD GEAR HOUSING TO DRIVE SHAFT HOUSING (4")
4	16-57920		2	STUD GEAR HOUSING TO DRIVE SHAFT HOUSING (2 1/16")
5	16-56297		1	STUD WATER PUMP BASE AND BODY TO GEAER HOUSING (3 3/8")
6	16-30667		2	STUD WATER PUMP BASE AND BODY TO GEAR HOUSING (3 1/8")
7	31-32898		1	BEARING, ROLLER-DRIVE SHAFT
8	45-69250		1	DRIVE SHAFT (SHORT SHAFT)
	45-69251		1	DRIVE SHAFT (LONG SHAFT)
9	43-75316		1	GEAR, PINION-DRIVE SHAFT
10	11-35921		1	NUT, PINION GEAR TO DRIVE SHAFT
11	23-70412		1	SPACER, ROLLER BEARING TO WATER PUMP BASE
	15-57007A1		AR	SHIM, ROLLER BEARING TO WATER PUMP BASE
12	31-69220		1	ROLLER BEARING, DRIVE SHAFT
14	27-33146	●	1	GASKET, WATER PUMP BASE TO GEAR HOUSING
15	25-33145	●	1	"O" RING, WATER PUMP BASE
16	46-73804A1		1	WATER PUMP BASE ASSEMBLY

● = CONTENTS OF A-[27-73645A76] GASKET SET

CONTINUED ON NEXT PAGE ➡

GEAR HOUSING ASSEMBLY, COMPLETE (PAGE 1)



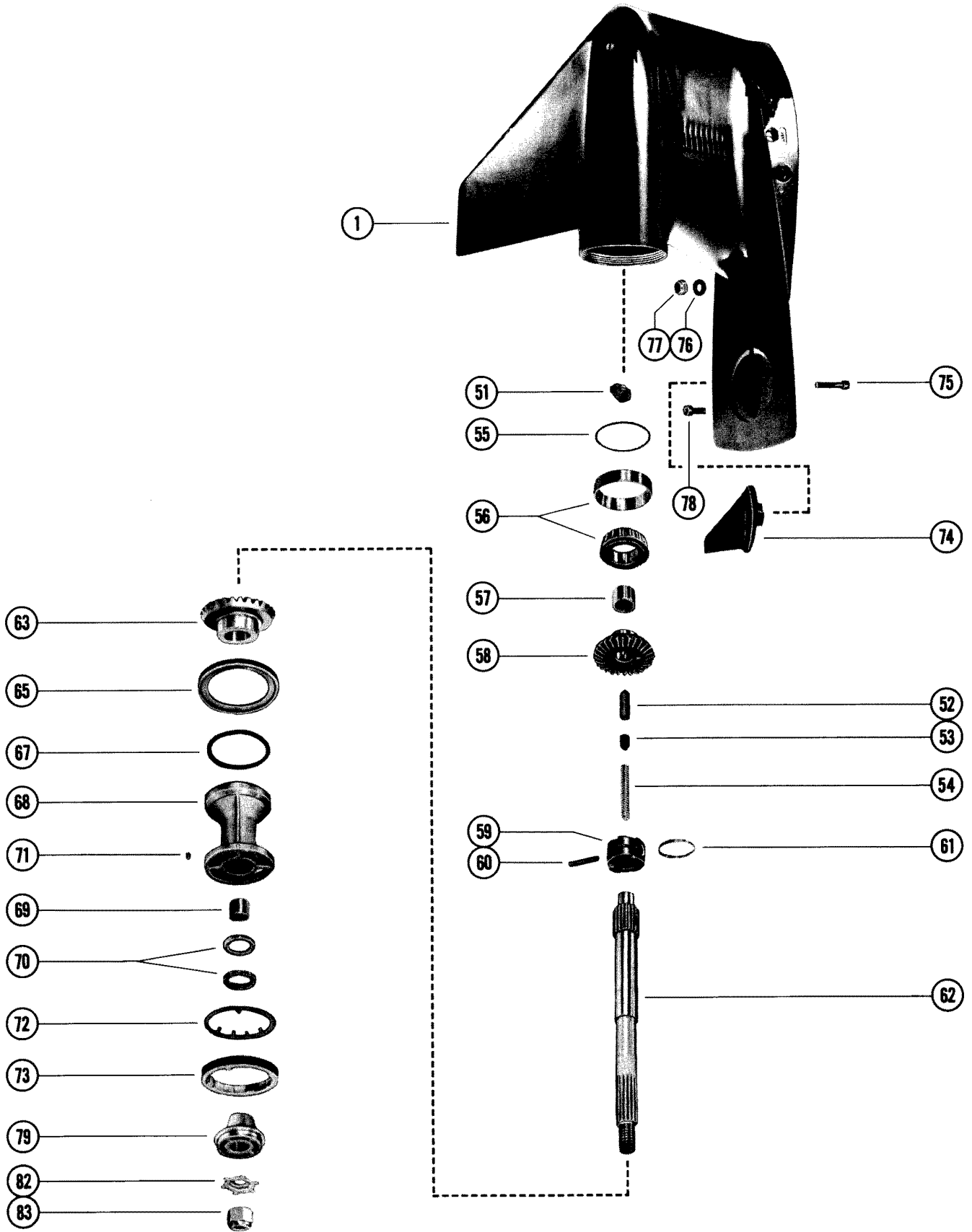
GEAR HOUSING ASSEMBLY, COMPLETE (PAGE 1)

REF. NO.	PART NO.	SYM.	QTY.	DESCRIPTION
17	26-31489		1	OIL SEAL, WATER PUMP BASE
18	26-79884		1	OIL SEAL, WATER PUMP BASE
19	17-35973		2	DOWEL PIN WATER PUMP BASE TO WATER PUMP BODY
20	27-32433	●	1	GASKET LOWER-WATER PUMP BASE TO FACE PLATE
21	32432		1	PLATE FACE-WATER PUMP BASE TO WATER PUMP BODY
22	27-32434	●	1	GASKET UPPER-FACE PLATE TO WATER PUMP BODY
23	46-64141A1		1	WATER PUMP BODY ASSEMBLY
24	48752		1	INSERT, WATER PUMP BODY
26	26-38970	●	1	SEAL, RUBBER-WATER INLET TUBE
27	47-65960		1	IMPELLER, WATER PUMP
28	28-56654		1	KEY, IMPELLER DRIVE
29	10-30720		1	SCREW WATER PUMP BODY TO GEAR HOUSING (2 1/4")
30	13-26992		1	LOCKWASHER, WATER PUMP BODY SCREW
31	12-29245		3	WASHER WATER PUMP BODY FASTENING SCREW AND STUD
32	11-35888		2	NUT, WATER PUMP FASTENING SCREW
33	12-36001		1	WASHER, WATER PUMP BODY FASTENING STUD
34	11-35814		1	NUT, WATER PUMP BODY FASTENING STUD
35	25-30271	●	1	RING RUBBER-CENTRIFUGAL SLINGER (DRIVE SHAFT)
36	23-29804		1	SLEEVE, GUIDE-WATER INLET TUBE
37	37641	●	1	SEAL, EXHAUST TUBE
38	38051		1	PLATE, SUPPORT-EXHAUST TUBE SEAL
39	76062A1		1	SHAFT ASSEMBLY, SHIFT
40	53-29641		1	"E" RING, RETAINING-SHIFT SHAFT
41	25-25439	●	1	"O" RING, SHIFT SHAFT BUSHING
42	23-77631A2		1	BUSHING ASSEMBLY, SHIFT SHAFT
43	26-76384		1	OIL SEAL, SHIFT SHAFT HOUSING
44	12-77674		1	WASHER, RUBBER-SHIFT SHAFT BUSHING
45	39019		1	SPACER, LOWER-REVERSE LOCKING
46	39021		1	CAM, REVERSE LOCKING
	39021		1	CAM, REVERSE LOCKING
47	10-79953		1	SCREW GREASE FILLER AND VENT HOLE
	22-67892		1	SCREW, DRAIN (MAGNETIC)
48	12-20260		2	WASHSER GREASE FILLER AND VENT HOLE SCREW
-	27-73645A76		0	GASKET SET
-	46-73804A3		0	WATER PUMP REPAIR KIT
-	26-55682A1		0	SEAL REPAIR KIT

THE ENCLOSED GEAR HOUSINGS INCLUDE ALL PARTS FROM REF. #1 THRU #75 AS LISTED UNDER "GEAR HOUSING ASSEMBLY, COMPLETE"

● = CONTENTS OF A-[27-73645A76] GASKET SET

GEAR HOUSING ASSEMBLY, COMPLETE (PAGE 2)



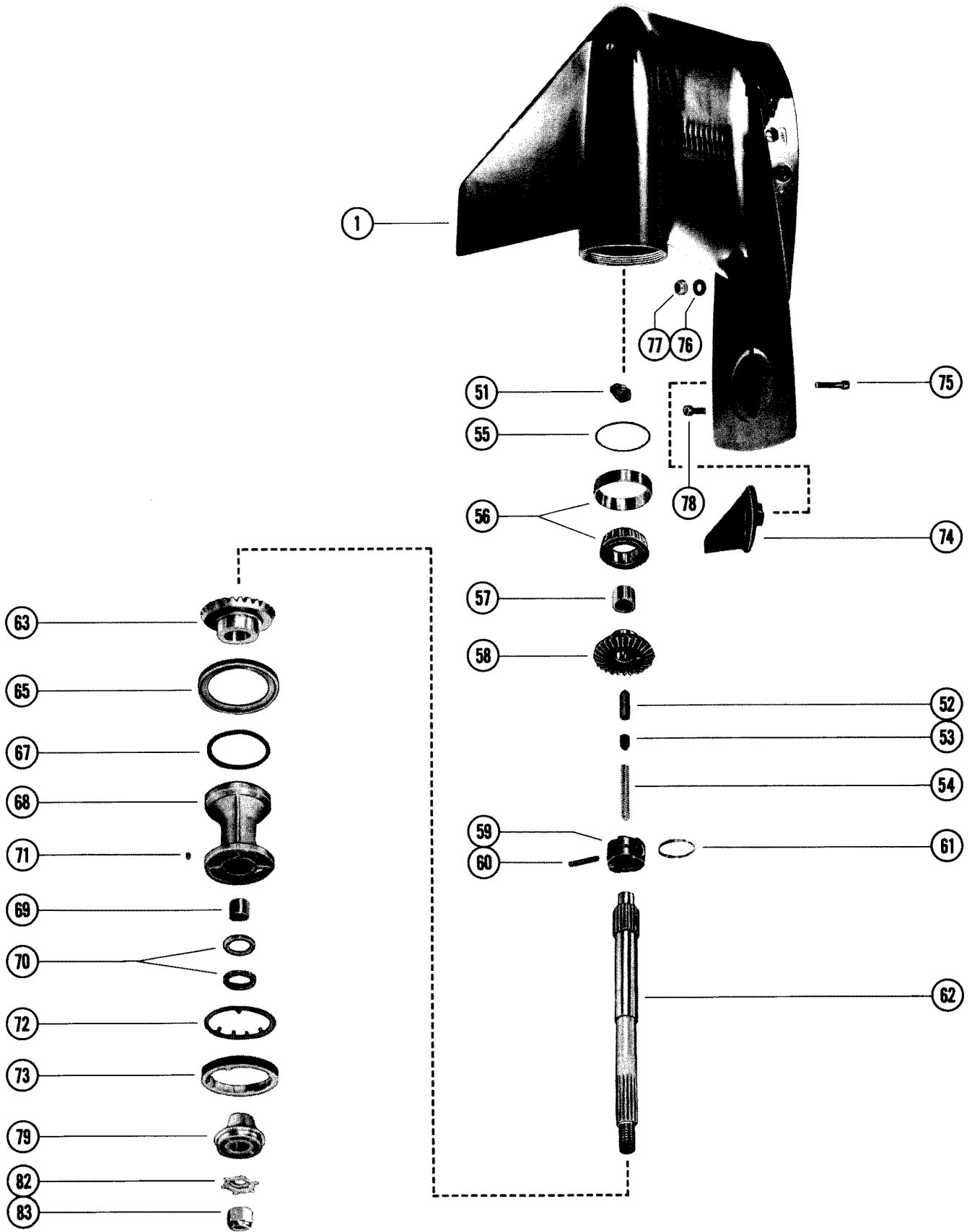
GEAR HOUSING ASSEMBLY, COMPLETE (PAGE 2)

REF. NO.	PART NO.	SYM.	QTY.	DESCRIPTION
-	1623-6053A37		1	GEAR HOUSING ASS'Y, COMP.(SHORT SHAFT) THE ENCLOSED GEAR HOUSINGS INCLUDE ALL PARTS FROM REFERENCE #1 THRU #75 AS LISTED ON C10 AND C12 UNITED STATES 5141096 AND BELOW AUSTRALIA 8056519 AND BELOW BELGIUM 9207925 AND BELOW CANADA 7122587 AND BELOW
-	1623-6053A23		1	GEAR HOUSING ASS'Y, COMP. (LONG SHAFT) THE ENCLOSED GEAR HOUSINGS INCLUDE ALL PARTS FROM REFERENCE #1 THRU #75 AS LISTED ON C10 AND C12 UNITED STATES 5141096 AND BELOW AUSTRALIA 8056519 AND BELOW BELGIUM 9207925 AND BELOW CANADA 7122587 AND BELOW
-	1655-7333A27		1	GEAR HOUSING ASS'Y, COMP. (SHORT SHAFT) THE ENCLOSED GEAR HOUSINGS INCLUDE ALL PARTS FROM REFERENCE #1 THRU #75 AS LISTED ON C10 AND C12 UNITED STATES 5141097 AND UP AUSTRALIA 8056520 AND UP BELGIUM 9207928 AND UP CANADA 7122588 ANDUP
-	1655-7333A25		1	GEAR HOUSING ASS'Y, COMP. (LONG SHAFT) THE ENCLOSED GEAR HOUSINGS INCLUDE ALL PARTS FROM REFERENCE #1 THRU #75 AS LISTED ON C10 AND C12 UNITED STATES 5141097 AND UP AUSTRALIA 8056520 AND UP BELGIUM 9207928 AND UP CANADA 7122588 ANDUP
1	1623-6053A5		1	GEAR HOUSING ASS'Y UNITED STATES 5141096 AND BELOW AUSTRALIA 8056519 AND BELOW BELGIUM 9207925 AND BELOW CANADA 7122587 AND BELOW
	1655-7333A23		1	GEAR HOUSING ASS'Y UNITED STATES 5141097 AND UP AUSTRALIA 8056520 AND UP BELGIUM 9207928 AND UP CANADA 7122588 ANDUP
51	54346		1	CAM, SHIFT
52	30625		1	FOLLOWER, CAM
53	30624		1	SLIDE, CROSS PIN
54	24-30622		1	SPRING, COMPRESSION-CAM FOLLOWER
55	15-30923A1		AR	SHIM BEARING OUTER RACE TO GEAR HSG. (.002-3-5-10)
56	31-30894A1		1	TAPERED ROLLER BEARING ASSEMBLY
57	31-30895		1	BEARING, ROLLER-FORWARD GEAR
58	43-75314		1	FORWARD GEAR ASSEMBLY
59	52-34239		1	RATCHET, SLIDING CLUTCH
60	17-30632		1	PIN, CROSS-RATCHET TO PROPELLER SHAFT
61	24-30893		1	SPRING, RETAINING-CROSS PIN
62	44-52542		1	SHAFT, PROPELLER
63	43-77562		1	REVERSE GEAR ASSEMBLY
65	12-76805		1	WASHER THRUST-BEARING CARRIER TO GEAR HOUSING
67	25-29976	●	1	"O" RING, BEARING CARRIER
68	77520A1		1	BEARING CARRIER ASSEMBLY
69	31-30956		1	BEARING, ROLLER-BEARING CARRIER
70	26-76868		2	OIL SEAL, BEARING CARRIER
71	28-30281		1	KEY,LOCATING-BEARING CARRIER
72	14-52700		1	TAB WASHER, GEAR HOUSING COVER

● = CONTENTS OF A-[27-73645A76] GASKET SET

CONTINUED ON NEXT PAGE ➡

GEAR HOUSING ASSEMBLY, COMPLETE (PAGE 2)



GEAR HOUSING ASSEMBLY, COMPLETE (PAGE 2)

REF. NO.	PART NO.	SYM.	QTY.	DESCRIPTION
73	52699		1	COVER, GEAR HOUSING
74	31640A1		1	TROM TAB, GEAR HOUSING
75	10-66024		1	SCREW, TRIM TAB TO GEAR HOUSING (1 3/4")
76	12-45176		2	WASHER GEAR HOUSING TO DRIVE SHAFT HOUSING STUDS
77	11-34933		2	NUT GEAR HOUSING TO DRIVE SHAFT HOUSING STUDS
78	10-65210		1	SCREW GEAR HOUSING TO DRIVE SHAFT HOUSING (1")
79	75282		1	THRUST HUB
82	14-31210		1	TAB WASHER, PROPELLER NUT
83	11-52707		1	NUT, PROPELLER
-	27-73645A76		0	GASKET SET

THE ENCLOSED GEAR HOUSINGS INCLUDE ALL PARTS FROM REF. #1 THRU #75 AS LISTED UNDER "GEAR HOUSING ASSEMBLY COMPLETE (PAGE 1)"

PROPELLERS (RIGHT HAND ROTATION)

REF. NO.	PART NO.	SYM.	QTY.	DESCRIPTION
-	48-77338A4		0	PROPELLER ASSEMBLY (ALUMINUM)(PITCH 11") 3 BLADES
-	48-77340A4		0	PROPELLER ASSEMBLY (ALUMINUM)(PITCH 13") 3 BLADES
-	48-77342A4		0	PROPELLER ASSEMBLY (ALUMINUM)(PITCH 15") 3 BLADES
-	48-77344A4		0	PROPELLER ASSEMBLY (ALUMINUM)(PITCH 17") 3 BLADES
-	48-77346A4		0	PROPELLER ASSEMBLY (ALUMINUM)(PITCH 19") 3 BLADES
-	48-77348A4		0	PROPELLER ASSEMBLY (ALUMINUM)(PITCH 21") 3 BLADES
-	48-77350A4		0	PROPELLER ASSEMBLY (ALUMINUM)(PITCH 23") 3 BLADES

THIS PAGE INTENTIONALLY LEFT BLANK

SERIAL GROUP CHART

SERIAL GROUP CHART

SERIAL GROUP #1

United States 5141096 and below
Australia 8056519 and below
Belgium 9207925 and below
Canada 7122587 and below

SERIAL GROUP #2

United States 5141097 and up
Australia 8056520 and up
Belgium 9207926 and up
Canada 7122588 and up

SERIAL GROUP CHART

THIS PAGE INTENTIONALLY LEFT BLANK

PARTS INDEX

Part Number	Description	Pg.	Ref. No.	Part Number	Description	Pg.	Ref. No.
22833	ADAPTOR, CHECK UNIT (FUEL LINE)	19	21	39667	COVER, NYLON - SHIFT CABLE	27	27
23004	RETAINER, CHECK VALVE .	19	6	46265	BOOT, TERMINAL - STARTER SOLENOID . . .	13	19
23069	STEM, CHECK UNIT ADAPTOR	19	22	46785A1	COWL LATCH ASSEMBLY . .	5	12
25067	BUMPER, RUBBER- MOUNTIN SCREW	37	26	46933A2	GROUND STRAP ASSEMBLY, TRIM COVER SCREW	37	7
25887	GUIDE, PUSH ROD- REVERSE LOCKING	37	12	46933A3	GROUND STRAP ASSEMBLY	23	32
26113	RACE, OUTER (PAIR)	25	17	47341A1	ROPE, STARTER (FOR MANUAL STARTING ONLY)	5	7
28203	BUMPER, STEERING ARM .	31	16	47558	ROD, PUSH-REVERSE LOCK (LONG SHAFT)	37	13
28205	STRAP STOP	31	9	47559	YOKE, PUSH ROD	37	15
30188	CUP WASHER, ADAPTOR . .	19	25	47591	ROD, PUSH-REVERSE LOCK (SHORT SHAFT)	37	13
30413	HOOK, COWL LATCH FASTENING	5	13	47802	TUBE, TILT LOCK (SHORT SHAFT)	33	19
30624	SLIDE, CROSS PIN	43	53	48039	CAP, NYLON - ADJUSTING SCREW	11	12
30625	FOLLOWER, CAM	43	52	48752	INSERT, WATER PUMP BODY	41	24
31014	MOUNT, RUBBER - REAR SUPPORT BRACKET)	3	25	52023	CAP, NYLON - ADJUSTING SCREW	11	15
31640A1	TROM TAB, GEAR HOUSING	45	74	52023	CAP, NYLON - ADJUSTING SCREW	11	8
32432	PLATE	41	21	52100	WEAR PLATE, LINK ROD . .	27	30
35474	COVER, LOWER MOUNT CLAMP	37	34	52468	BRACKET, TOP COWL SUPPORT - REAR	3	24
35496	PAD, BUMPER-TOP COWL RETAINER	3	3	52699	COVER, GEAR HOUSING . .	45	73
35608	CLAMP	37	31	52732	BRACKET, ANCHOR - CONTROL CABLES	27	23
37440	BRACKET, MOUNT SUPPORT - CYLINDER BLOCK	23	30	52733A9	RETAINER ASSEMBLY, TOP COWL	3	2
37445	SUPPORT, WIRING HARNESS - BOTTOM COWL	27	7	52737	LEVER, COWL LATCH HINGE	3	10
37637	BOOT, FUEL CONNECTOR - BOTTOM COWL	27	6	52739	HINGE, COWL LATCH - TOP COWL	3	9
37639	MOUNT, RUBBER - TOP COWL FRAME	3	21	52889	NOZZLE, TELL TALE HOSE TO BOTTOM COWL	27	11
37640	MOUNT, RUBBER - SUPPORT FRAME	3	16	53078	CAP, PLASTIC - TILT TUBE .	33	7
37641	SEAL, EXHAUST TUBE	41	37	53665	INSERT, COUPLING	15	18
37896	GUIDE BLOCK, LINK ROD . .	27	22	53720A2	COUPLING ASSEMBLY (LOWER CARBURETOR) . .	15	17
37918	SEAL, EXHAUST EXTENSION PLATE	29	4	54143	SEAL, SOUND - UPPER . . .	5	10
38032	STRIP, RETAINING - EXHAUST EXTENSION PLATE	29	5	54196A6	CARRIER ASSEMBLY	25	4
38051	PLATE, SUPPORT- EXHAUST TUBE SEAL	41	38	54293A4	CHOKE SOLENOID ASSEMBLY	15	1
38279	LATCH	27	31	54346	CAM, SHIFT	43	51
38674	BLANKET, SOUND ABSORBING	5	9	55278A2	DIAPHRAGM ASSEMBLY . .	19	3
39019	SPACER, LOWER-REVERSE LOCKING	41	45	55455	HOOK, TOP COWL LATCH - REAR	3	12
39021	CAM, REVERSE LOCKING . .	41	46	56029	COVER, STARTER MOTOR (UPPER)	21	3
39021	CAM, REVERSE LOCKING . .	41	46	56074A9	PLUNGER AND LINK ASSEMBLY	15	7
39519	CAP, BARREL RETAINER - ANCHOR	27	24	56349	SHAFT, REVERSE LOCK PIVOT	33	28
39616	BOOT, CONTROL CABLES - BOTTOM COWL	27	5				
39618	LEVER, NYLON - SHIFT CABLE LOCKING	27	25				

PARTS INDEX

Part Number	Description	Pg.	Ref. No.	Part Number	Description	Pg.	Ref. No.
57247	STOP, RUBBER - STARTER MOTOR	13	4	74199	EXHAUST TUBE	29	18
58124A19	MERCURY SWITCH ASSEMBLY	7	17	74257A3	PLATE ASSEMBLY, DRIVE SHAFT HOUSING	29	14
60304A54	SHIFT SHAFT ASSEMBLY, UPPER (LONG SHAFT)	27	14	74303	COVER, AIR INLET	27	2
60304A55	SHIFT SHAFT ASSEMBLY, UPPER (SHORT SHAFT)	27	14	74528	TUBE, TILT - CLAMP BRACKET TO SWIVEL	33	4
60572	BARREL, NYLON - LEVER AND ARMS	11	21	75043	COVER, THUMB SCREW	33	3
62351A1	RECTIFIER ASSEMBLY	13	9	75282	THRUST HUB	45	79
63319	RETAINER, SPARK PLUG WIRE	9	52	75296	MOUNT, RUBBER-UPPER (LONG SHAFT)	37	18
65370	TUBE, EXHAUST (SHORT SHAFT)	37	10	75297	MOUNT, RUBBER-UPPER (SHORT SHAFT)	37	18
65638	BOOT, EXHAUST TUBE	37	11	75298	MOUNT, RUBBER-LOWER (LONG SHAFT)	37	22
65799	LINK, LOCKING LEVER TO COVER	27	28	75300	MOUNT, RUBBER-LOWER (SHORT SHAFT)	37	22
65800	PACKING, CARRIER	25	5	76062A1	SHAFT ASSEMBLY, SHIFT	41	39
66096A1	PLATE ASSEMBLY, EXHAUST EXTENSION	29	1	76158A1	SWIVEL ASSEMBLY, LINK ROD TO ARM	11	27
66336	MOUNT, RUBBER-LOWER (SHORT SHAFT)	37	24	76198	COVER, WATER JACKET - CYLINDER BLOCK	23	16
66517	RESTRICTOR, CRANKCASE BLEED	21	11	76226A1	COVER ASSMEBLY, SILENCER	3	35
69205	"D" WAHER, CLIP SCREW	7	24	76367	POINTER, TIMING	23	7
69205	"D" WASHER, HARNESS CLAMP SCREW	9	45	76370	SHIELD, TOP COWL - REAR	3	6
70692	REVERSE LOCK ASSEMBLY	33	26	76385	TILT LOCK ASSEMBLY, PORT	33	18
71040	SEAL, SOUND ABSORBING	5	8	76386	TILT LOCK ASSEMBLY, STARBOARD	33	17
73189	PLATE, SWITCH BOX	7	7	76387	TUBE, TILT LOCK (LONG SHAFT)	33	19
73192	COVER, IGNITION COIL	7	34	76867	COVER, STARTER MOTOR (LOWER)	21	6
73320	COVER, TRANSFER PORT - TOP	23	27	77000A2	TRIGGER PLATE ASSEMBLY	9	40
73321	COVER, TRANSFER PORT - BOTTOM	23	27	77001	HOUSING, THROTTLE CAM	11	24
73374	LINK ROD, THROTTLE	11	22	77010	LINK ROD, SPARK ADVANCE	11	26
73395	PLATE, MOUNTING - IGNITION COIL	7	29	77158	SPACER, THROTTLE CAM HOUSING	11	32
73396	FRAME, FRONT SUPPORT	3	32	77520A1	BEARING CARRIER ASSEMBLY	43	68
73400	CHOKE ROD	15	8	77672	STRAP, PRIMARY HARNESS	7	37
73401	FRAME, SUPPORT - TOP COWL	3	15	77885	COVER, FUEL PUMP	19	10
73402	SHIFT LINK	27	17	78184	TUBE, EXHAUST (LONG SHAFT)	37	10
73404	LATCH, THROTTLE LEVER (THROTTLE CABLE)	11	2	78277A1	COVER, EXHAUST MANIFOLD	23	22
73408	PLATE, CARBURETOR	15	23	78278	RETAINER, WIRE	9	49
73414	ARM, SPARK ADVANCE	11	9	10-20037	SCREW, CHECK VALVE TO FUEL PUMP (1/4")	19	7
73416	LEVER, THROTTLE	11	1	10-20359	SCREW, CENTER MAIN BEARING LOCKING (1")	21	15
73432	CAM, THROTTLE	11	23	10-20619	SCREW, SWITCH BOX TO PLATE (1 3/8")	7	13
73434A1	FUEL PUMP ASSEMBLY	19	1	10-20646	SCREW, TERMINAL BLOCK TO PLATE (5/8")	7	20
73436	PLATE, BAFFLE - EXHAUST MANIFOLD	23	20	10-21937	SCREW, LOWER SHOCK PIN (2") (LONG SHAFT)	33	31
73647	SEAL, CARBURETOR PLATE	15	27				
73755A1	CHOKE KNOB ASSEMBLY	15	9				
73786	KNOB, COWL FRONT COVER FASTENING	5	2				
73847	ACTUATOR, THROTTLE (UPPER CARBURETOR)	15	21				
73984	YOKE, BOTTOM	31	13				

PARTS INDEX

Part Number	Description	Pg.	Ref. No.	Part Number	Description	Pg.	Ref. No.
10-22968	SCREW, CENTER MAIN BEARING CLAMPING	25	19	10-48408	SCREW, CLIP TO PLATE (3/8")	7	23
10-24234	SCREW	27	29	10-48408	SCREW, STRAP ATTACHING	7	37A
10-24234	SCREW, BRACKET TO CYLINDER BLOCK (1") . .	23	31	10-48408	SCREW, WIRE RETAINER . .	9	50
10-27281	SCREW	19	13	10-49318	SCREW, UPPER MOUNT (5 1/2")	37	23
10-28200	SCREW	31	10	10-49554	BOLT, STEERING ARM TO UPPER MOUNT (5 7/8") . .	31	17
10-28635	SCREW, PLATE TO CAR BURETOR (5/8")	15	26	10-49668	SCREW, TRANSFER PORT COVER MOUNTING (3/4")	23	29
10-28638	SCREW, COVER TO FRONT SUPPORT FRAME (3/4") . .	3	37	10-52743	SCREW, CARBURETOR TO CRANKCASE (3 3/4")	15	16
10-28668	SCREW, MOUNTING PLATE TO CRANKCASE (7/8") . .	7	30	10-53016	SCREW, CRANKCASE TO CYLINDER BLOCK (1 1/4")	21	13
10-29256	SCREW	37	33	10-53167	SCREW	23	17
10-29722	SCREW, COVER TO LOWER CLAMP MOUNT (5/8") . . .	37	36	10-53576	SCREW, MANIFOLD COVER MOUNTING (1 1/8")	23	23
10-30225	SCREW, END CAP MOUNTING (1")	23	14	10-54803	SCREW, CAP TO CONNECTING ROD	25	26
10-30720	SCREW	41	29	10-55337	SCREW	11	16
10-31984	SCREW, COVER TO CRANKCASE (1 3/8")	21	4	10-56743	SCREW	31	10
10-32417	SCREW, FLEXIBLE PLATE TO FLYWHEEL (5/8")	7	6	10-57807	SCREW, TRIM COVER TO BOTTOM COWL (3/4")	37	5
10-35385	SCREW, COVER TO CRANKCASE (1 3/4")	21	4	10-57841	SCREW, CRANKCASE TO CYLINDER BLOCK (2 3/4")	21	13
10-35585	SCREW, TIMING POINTER ATTACHING (3/4")	23	8	10-59645	SCREW	7	9
10-37370	SCREW, COVER TO FUEL PUMP (5/8")	19	11	10-59645	SCREW	15	2
10-37370	SCREW, SHIELD TO TOP COWL (5/8")	3	7	10-59702	SCREW, LATCH TO THROTTLE LEVER (7/8") . .	11	3
10-37558	SCREW, RETAINER TO TOP COWL (1 1/4")	3	4	10-60293	SCREW, ACTUATOR TO UPPER CARBURETOR (1/2")	15	22
10-37562	SCREW	3	30	10-60605	SCREW, HOUSING TO CRANKCASE (3/4")	11	25
10-37562	SCREW, REAR BRACKET TO FRAME (1")	3	28	10-61010	SCREW	29	19
10-37562	SCREW, SILENCER COVER	3	33	10-62204	SCREW, REED STOP MOUNTING	25	12
10-37562	SCREW, SUPPORT FRAME TO FRONT FRAME (1") . .	3	19	10-62568	SCREW, COVER TO BOTTOM COWL (3/8')	27	3
10-37571	SCREW	29	6	10-62568	SCREW, GROUND STRAP ATTACHING (3/8")	23	33
10-37571	SCREW, MERCURY SWITCH TO PLATE (1/2")	7	18	10-62568	SCREW, GROUND STRAP ATTACHING	37	8
10-37655	SCREW, WIRE TO TERMINAL BLOCK (1/2") . .	7	21	10-62568	SCREW, WIRE TO CHOKE ROD	15	13
10-37656	SCREW, RECTIFIER TO PLATE (5/8")	13	10	10-65210	SCREW	45	78
10-38601	SCREW, SOLENOID TO BOTTOM COWL (5/8")	13	20	10-66023	SCREW	29	9
10-39767	SCREW, COVER TO CRANKCASE (1 7/8")	21	7	10-66023	SCREW, ADAPTOR PLATE TO HOUSING PLATE (2") . .	29	8
10-45775	SCREW, MAIN BEARING CLAMPING	25	8	10-66024	SCREW, TRIM TAB TO GEAR HOUSING (1 3/4") . .	45	75
10-46378	SCREW, RETAINER TO CYLINDER BLOCK COVER (1")	9	53	10-66104	SCREW, COUPLING TO CARBURETOR (3/4")	15	19
10-47828	SCREW, DRIVE - SWIEL BRACKET	31	5	10-68298	BOLT, CLAMP BRACKET TO BOAT TRANSOM (3 1/4") . .	33	13
10-48408	SCREW	27	12	10-68299	BOLT, CLAMP BRACKET TO TRANSOM (3")	33	13
10-48408	SCREW, CLAMP TO CRANKCASE (1/2")	9	44	10-68997	SCREW, PLATE/HUB TO FLEXIBLE PLATE (3/4") . .	7	5
				10-69020	SCREW	13	25

PARTS INDEX

Part Number	Description	Pg.	Ref. No.	Part Number	Description	Pg.	Ref. No.
10-69029	SCREW, ADAPTOR TO BOTTOM COWL (1 3/4") ..	19	26	11-36069	NUT, LATCH SCREW	11	5
10-69029	SCREW, SUPPORT TO COWL (1 3/4")	27	8	11-36069	NUT, LINK ROD	27	19
10-69035	SCREW	13	8	11-36069	NUT, WIRING H ARNESS SUPPORT SCREW	27	9
10-69046	SCREW, COVER TO MOUNTING PLATE (2") ..	7	35	11-45076	NUT, IGNITION COIL TERMINAL	7	33
10-69100	SCREW, CYLINDER BLOCK COVER MOUNTING (1") ..	23	26	11-45076	NUT, RECTIFIER TERMINAL	13	13
10-69375	SCREW	35	39	11-45076	NUT, SWITCH BOX TERMINAL	7	16
10-70939	SCREW	19	13	11-45774	NUT, MAIN BEARING CLAMPING SCREW	25	9
10-73169	SCREW, END CAP MOUNTING (1")	23	6	11-46887	NUT, LOWER SHOCK PIN SCREW (LONG SHAFT) ..	33	32
10-73654	SCREW, ADJUSTING - THROTTLE LEVER (1 3/4")	11	6	11-46887	NUT, MAIN BEARING CLAMPING SCREW	25	20
10-73655	SCREW, ADJUSTING - SPARK ADVANCE ARM (2")	11	13	11-46887	NUT, RUBBER MOUNT (LOWER)	3	23
10-73656	SCREW, ADJUSTING - SPARK ADVANCE ARM (1 3/8")	11	10	11-47661	NUT, JAM-PUSH ROD	37	14
10-73657	SCREW, CRANKCASE TO CYLINDER BLOCK (1 1/2")	21	14	11-49091	NUT, CONNECTING ROD SCREW	25	27
10-73658	SCREW, COVER TO CRANKCASE (1/2")	21	7	11-52707	NUT, PROPELLER	45	83
10-75840	SCREW, STATOR TO UPPER END CAP (7/8")	7	39	11-52901	NUT, FLYWHEEL	7	1
10-76196	SCREW, WIRE TO CHOKE KNOB	15	10	11-53153	NUT, REED STOP MOUNTING SCREW	25	13
10-78492A1	THUMB SCREW ASSEMBLY	33	2	11-56041	NUT, TILT TUBE FASTENING	33	6
10-78495	SCREW, THUMB SCREW ..	33	2A	11-64015	NUT, STARTER MOTOR TERMINAL	13	7
10-79953	SCREW GREASE FILLER AND VENT HOLE	41	47	11-64484	NUT, JAM - ADJUSTING SCREW	11	14
11-20013	NUT, RETAINER SCREW ...	9	54	11-64484	NUT, JAM - ADJUSTING SCREW	11	7
11-20110	NUT, LINK ROD SWIVEL ...	11	31	11-68219	NUT, CHOKE SOLENOID TERMINAL	15	6
11-25096	NUT, MOUNT SCREW	37	25	11-68219	NUT, JAM - ADJUSTING SCREW	11	11
11-25269	NUT, STRAP STOP FASTENING SCREW	31	11	11-68219	NUT, SOLENOID TERMINAL (#10)	13	16
11-28770	NUT, CLAMP BRACKET STUD	33	11	11-68292	NUT, SOLENOID TERMINAL (5/16")	13	18
11-28770	NUT, RUBBER MOUNT	3	18	11-68411	NUT, CLAMP BRACKET BOLT	33	15
11-29489	NUT	37	29	11-69254	NUT	29	10
11-29598	NUT	3	27	12-20260	WASHSER	41	48
11-34932	NUT, POWERHEAD STUDS .	29	22	12-20533	WASHER, TIMING POINTER SCREW	23	9
11-34933	NUT	37	27	12-21273	WASHER, WIRE RETAINER SCREW	9	51
11-34933	NUT	45	77	12-25970	WASHER	29	11
11-34933	NUT, STEERING ARM BOLT FASTENING	31	18	12-25970	WASHER, POWERHEAD STUDS	29	21
11-34933	NUT, UPPER MOUNT BOLT	37	21	12-28196	WASHER, UPPER BUSHING RETAINER (INNER)	35	35
11-35521	NUT, LOWER MOUNT CLAMP COVER	37	35	12-29245	WASHER	41	31
11-35814	NUT, WATER PUMP BODY FASTENING STUD	41	34	12-30164	WASHER, COVER SCREW .	7	36
11-35888	NUT, RUBBER MOUNT (UPPER)	3	22	12-30164	WASHER, COVER SCREW .	27	3A
11-35888	NUT, WATER PUMP FASTENING SCREW	41	32	12-30164	WASHER, WIRING HARNESS CLAMP SCREW	13	26
11-35921	NUT, PINION GEAR TO DRIVE SHAFT	39	10	12-30771	WASHER, COVER FASTENING KNOB (RUBBER)	5	3
11-36069	NUT, ADAPTOR SCREW ...	19	27				

PARTS INDEX

Part Number	Description	Pg.	Ref. No.	Part Number	Description	Pg.	Ref. No.
12-31263	WASHER, UPPER MOUNT			13-26993	LOCKWASHER, FRAME		
	BOLT	37	20		SCREW	3	34
12-33786	WASHER, LINK ROD SWIVEL	11	30	13-26993	LOCKWASHER, REAR		
12-35462	WASHER, LINK ROD (SHIFT				BRACKET SCREW	3	29
	LEVER END)	27	18	13-26993	LOCKWASHER, RUBBER		
12-36001	WASHER, CLAMP BRACKET				MOUNT	3	17
	STUD	33	9A	13-26993	LOCKWASHER, SUPPORT		
12-36001	WASHER, WATER PUMP				FRAME SCREW	3	20
	BODY FASTENING STUD	41	33	13-26993	LOCKWASHER, WOLENOID		
12-45176	WASHER	37	28		TERMINAL (5/16")	13	17
12-45176	WASHER	37	30	13-26996	LOCKWASHER, CHOKE		
12-45176	WASHER	45	76		SOLENOID TERMINAL	15	5
12-46765	WASHER, LEVER AND ARM			13-26996	LOCKWASHER, SOLENOID		
	SCREW	11	20		TERMINAL (#10)	13	15
12-47247	WASHER, NEEDLE			13-29402	WAVE WASHER, LINK ROD		
	LOCATING	25	30		SWIVEL	11	29
12-47840	WASHER, RUBBE5R-UPPER			13-29720	WASHER, WAVE - LINK ROD	27	20
	MOUNT BOLT	37	19	13-37371	LOCKWASHER, SHIELD		
12-52864	WASHER, CLAMP BRACKET				SCREW	3	8
	TILT TUBE	33	5	13-39107	LOCKWASHER, RETAINER		
12-56720	WASHER, SWITCH BOX				FASTENING SCREW	3	5
	PLATE SCREW	7	10	13-69150	WASHER	33	21
12-68229	WASHER, FLYWHEEL NUT	7	2	13-69150	WASHER, WAVE-TILT LOCK		
12-68300	WASHER, CLAMP BRACKET				TUBE (SHORT SHAFT)	33	21
	BOLT	33	14	14-20091	TAB WASHER, BEARING		
12-68410	WASHER, CLAMP BRACKET				LOCKING SCREW	21	16
	BOLT	33	14	14-31210	TAB WASHER, PROPELLER		
12-69342	WASHER, SWIVEL PIN -				NUT	45	82
	UPPER	31	3	14-52700	TAB WASHER, GEAR		
12-69374	WASHER	35	38		HOUSING COVER	43	72
12-69380	WASHER, SWIVEL PIN -			15-20085A1	SHIM, END CAP TO		
	LOWER	31	8		CRANKCASE (.002-3-5-10)	23	13
12-70132	WASHER	23	18	15-30923A1	SHIM	43	55
12-74726	WASHER, COUPLING			15-57007A1	SHIM, ROLLER BEARING TO		
	SCREW	15	20		WATER PUMP BASE	39	11
12-75246	WASHER, COVER			15-73644A1	SHIM ASSEMBLY	23	5
	FASTENING KNOB			16-30667	STUD	39	6
	(STEEL)	5	4	16-56295	STUD	37	2
12-76388	WASHER	33	23	16-56297	STUD	39	5
12-76805	WASHER	43	65	16-57920	STUD	39	4
12-77674	WASHER, RUBBER-SHIFT			16-57921	STUD	39	3
	SHAFT BUSHING	41	44	16-59625	STUD, CLAMP BRACKET	33	9
12-78493	WASHER, THUMB SCREW	33	2B	16-64281	STUD	21	8
13-26992	LOCKWASHER	3	26	16-64282	STUD	21	12
13-26992	LOCKWASHER, EXHAUST			17-20032	DOWEL PIN, CENTER MAIN		
	TUBE SCREW	29	20		BEARING	25	15
13-26992	LOCKWASHER, REAR HOOK			17-20032	DOWEL PIN, MAIN BEARING	25	7
	MOUNTING SCREW	3	13	17-20033	PIN, DOWEL - CRANKCASE		
13-26992	LOCKWASHER, STARTER				TO CYLINDER BLOCK	21	9
	MOTOR TERMINAL	13	6	17-23784	DOWEL PIN, DRIVE SHAFT		
13-26992	LOCKWASHER, WATER				HOUSING PLATE	29	16
	PUMP BODY SCREW	41	30	17-23784	DOWEL PIN, EXHAUST		
13-26992	WASHER, SOLENOID				EXTENSION PLATE	29	3
	SCREW	13	21	17-25598	PIN, REVERSE LOCK		
13-26993	LOCKWASHER	3	31		SPRING ATTACHING	31	7
13-26993	LOCKWASHER, CHOKE			17-29077	ROLL PIN, TENSION SPRING		
	SOLENOID SCREW	15	3		TO KNOB	5	6
13-26993	LOCKWASHER, CLAMP			17-30632	PIN, CROSS-RATCHET TO		
	BRACKET STUD	33	10		PROPELLER SHAFT	43	60
				17-35973	DOWEL PIN	41	19

PARTS INDEX

Part Number	Description	Pg.	Ref. No.	Part Number	Description	Pg.	Ref. No.
17-39023	PIN, PUSH ROD TO REVERSE LOCK	37	16	23-47803	BUSHING, TILT LOCK TUBE (SHORT SHAFT)	33	20
17-46912	DOWEL PIN, GEAR HOUSING LOCATING . . .	39	2	23-55164	BUSHING, LEVER AND ARM SCREW	11	17
17-47175	PIN, LOCKING LEVER AND COVER FASTENING	27	26	23-55171	BUSHING, FLANGE - LEVER AND ARM SCREW	11	18
17-47246	DOWEL PIN, (STEPPED) . . .	25	21	23-56774	SPACER, COLLAR TO BRACKET	13	3
17-49930A1	TILT LOCK PIN ASSEMBLY .	33	12	23-59624	SPACER, CLAMP BRACKET STUD	33	8
17-58998	PIN, COWL LATCH LEVER TO HINGE	3	11	23-69132	BUSHING PIVOT SHAFT . . .	35	40
17-63779	PIN, DOWEL - CYLINDER BLOCK TO MAIN BEARING	21	10	23-69341	BUSHING, SWIVEL BRACKET	31	2
17-73593A1	SWIVEL PIN ASS'Y (LONG SHAFT)	31	12	23-70412	SPACER, ROLLER BEARING TO WATER PUMP BASE .	39	11
17-73594A1	SWIVEL PIN ASS'Y (SHORT SHAFT)	31	12	23-73203	SPACER	35	34
18-25191	COTTER PIN, PUSH ROD PIN	37	17	23-77631A2	BUSHING ASSEMBLY, SHIFT SHAFT	41	42
18-45882	COTTER PIN, REVERSE LOCK TO SHAFT	33	29	24-20099	SPRING, LATCH SCREW . . .	11	4
18-47959	COTTER PIN, TILT LOCK . .	33	25	24-20099	SPRING, LINK ROD TO GUIDE BLOCK	27	21
19-45907	PLUG, FLYWHEEL PULLER THREADS	7	3	24-23067	SPRING, ADAPTOR STSEM	19	24
19-64649	PLUG, PLASTIC-TRIM TAB SCREW HOLE	37	3	24-28975	SPRING, GARTER - INTERNAL WIRING HARNESS	13	23
21-30430A5	CHECK VALVE ASSEMBLY .	19	2	24-29821	SPRING, REVERSE LOCK (SHORT SHAFT)	33	27
21-77560	CHECK VALVE, BLEED HOSE - TOP	21	17	24-30622	SPRING, COMPRESSION-CAM FOLLOWER	43	54
21-77561	CHECK VALVE, BLEED HOSE - BOTTOM	21	20	24-30893	SPRING, RETAINING-CROSS PIN	43	61
22-25885	ELBOW	21	21	24-32271	SPRING, TENSION - COVER FASTENING KNOB	5	5
22-63187	FITTING, FUEL LINE TO ADAPTOR	19	20	24-35522	SPRING, TENSION-LOWER MOUNT CLAMP	37	32
22-64704	ELBOW, CARBURETOR . . .	15	15	24-78203A1	SPRING ASSEMBLY, REVERSE LOCK (LONG SHAFT)	33	27
22-64705	FITTING, FUEL PUMP (OUTLET)	19	14	24-86310	SPRING, RETURN - LEVER AND ARM SCREW	11	19
22-65348	TEE, BALANCE HOSE TO CYLINDER BLOCK - LOWER	21	23	25-20116	GROMMET, CHOKE KNOB . .	15	11
22-65857	FITTING, AIR INLET COVER	21	25	25-20415	"O" RING, ADAPTOR STEM .	19	23
22-67892	SCREW, DRAIN (MAGNETIC)	41	47	25-25439	"O" RING, SHIFT SHAFT BUSHING	41	41
22-68307	PLUG, PIPE - CYLINDER BLOCK COVER	23	34	25-29976	"O" RING, BEARING CARRIER	43	67
22-73318	TEE, FUEL LINE	19	16	25-30271	RING	41	35
22-74036	FITTING, GREASE	31	6	25-32546	"O" RING	23	12
22-78279	ELBOW, TELL TALE HOSE TO CYLINDER BLOCK . . .	27	13	25-33145	"O" RING, WATER PUMP BASE	39	15
22-85822A1	CONNECTOR ASSEMBLY, SPEEDOMETER	39	1A	25-47254	"O" RING	23	4
23-26856	BUSHING, SHIFT SHAFT . .	27	16	25-47386	"O" RING, COVER TO FUEL PUMP	19	9
23-26856	BUSHING, NYLON - LINK ROD SWIVEL	11	28	25-57009	GROMMET, SWITCH BOX PLATE	7	8
23-27132	BUSHING, NYLON - EXHAUST EXTENSION PLATE	29	2	25-57806	GROMMET, TRIM COVER SCREW	37	6
23-28198	BUSHING, RUBBER-SHOCK ABSORBER (LOWER) . . .	35	37	25-62702	"O" RING, TILT LOCK (LONG SHAFT)	33	24
23-29804	SLEEVE, GUIDE-WATER INLET TUBE	41	36	26-22734	OIL SEAL	33	22

PARTS INDEX

Part Number	Description	Pg.	Ref. No.	Part Number	Description	Pg.	Ref. No.
26-29476	OIL SEAL	23	11	29-47270	BEARING, NEEDLE - PISTON PIN	25	29
26-29476	OIL SEAL	23	3	29-52168	BEARING, NEEDLE	25	16
26-31489	OIL SEAL, WATER PUMP BASE	41	17	30-32117	BEARING, BALL - UPPER	25	2
26-37448	OIL SEAL, SWIVEL BRACKET	31	4	30-63742	BEARING, BALL - LOWER	25	3
26-38970	SEAL, RUBBER	29	15	31-30894A1	TAPERED ROLLER BEARING ASSEMBLY	43	56
26-38970	SEAL, RUBBER-WATER INLET TUBE	41	26	31-30895	BEARING, ROLLER-FORWARD GEAR	43	57
26-55682A1	SEAL REPAIR KIT	41	--	31-30956	BEARING, ROLLER-BEARING CARRIER	43	69
26-60898	SEAL, DRIVE SHAFT HOUSING PLATE	29	13	31-32898	BEARING, ROLLER-DRIVE SHAFT	39	7
26-76384	OIL SEAL, SHIFT SHAFT HOUSING	41	43	31-62596A1	BEARING ASSEMBLY, CRANKPIN	25	28
26-76868	OIL SEAL, BEARING CARRIER	43	70	31-69220	ROLLER BEARING, DRIVE SHAFT	39	12
26-79884	OIL SEAL, WATER PUMP BASE	41	18	32-34395A1	HOSE	27	10
27-25848	GASKET, COVER SCREW	19	12	32-34395A1	HOSE ASSEMBLY, BALANCE (6 1/4")	21	22
27-32433	GASKET	41	20	32-54936	HOSE, BALANCE (5")	21	24
27-32434	GASKET	41	22	32-54936	HOSE, CYLINDER BLEED (15 1/2")	21	19
27-33146	GASKET, WATER PUMP BASE TO GEAR HOUSING	39	14	32-60897	TUBE, WATER INLET (LONG SHAFT)	37	9
27-53650	GASKET, CRANKCASE TO CYLINDER BLOCK	21	2	32-62864	TUBE, WATER INLET (SHORT SHAFT)	37	9
27-66102	GASKET, PLATE TO DRIVE SHAFT H SG. PLATE	29	12	32-63146	FUEL LINE	19	17
27-69238	GASKET	29	7	32-63146	FUEL LINE, TEE TO FUEL PUMP (11")	19	15
27-69860	GASKET	29	17	32-70432	FUEL LINE, ADAPTOR TO FUEL PUMP (15")	19	19
27-72505	GASKET, CYLINDER BLOCK COVER	23	25	33-58194	SPARK PLUG (AC#V40FFK)	9	48
27-72508	GASKET	23	21	34-56007A1	REED SET, MATCHED - MAIN BEARING	25	10
27-72510	GASKET, CYLINDER BLOCK TO BAFFLE PLATE	23	19	34-56008	REED STOP, MAIN BEARING REED VALVES	25	11
27-73377	GASKET, CARBURETOR	17	29	35-73532	FUEL FILTER	19	8
27-73398	GASKET, CARBURETOR PLATE	15	24	37-78596A78	DECAL SET - SERIAL GROUP #1	1	-
27-73645	GASKET, TRANSFER PORT COVER	23	28	37-86429A79	DECAL SET - SERIAL GROUP #2	1	-
27-73645A76	GASKET SET	1	-	39-78811A12	RING, PISTON (.015)	25	--
27-73645A76	GASKET SET	3	-	39-78816A12	RING, PISTON	25	24
27-73645A76	GASKET SET	15	-	40-52035	LOCK RING, PISTON PIN	25	23
27-73645A76	GASKET SET	17	--	43-75314	FORWARD GEAR ASSEMBLY	43	58
27-73645A76	GASKET SET	19	--	43-75316	GEAR, PINION-DRIVE SHAFT	39	9
27-73645A76	GASKET SET	21	--	43-77562	REVERSE GEAR ASSEMBLY	43	63
27-73645A76	GASKET SET	23	--	44-52542	SHAFT, PROPELLER	43	62
27-73645A76	GASKET SET	25	--	45-69250	DRIVE SHAFT (SHORT SHAFT)	39	8
27-73645A76	GASKET SET	29	--	45-69251	DRIVE SHAFT (LONG SHAFT)	39	8
27-73645A76	GASKET SET	35	--	46-64141A1	WATER PUMP BODY ASSEMBLY	41	23
27-73645A76	GASKET SET	41	--	46-73804A1	WATER PUMP BASE ASSEMBLY	39	16
27-73645A76	GASKET SET	45	--	46-73804A3	WATER PUMP REPAIR KIT	41	--
27-73646	GASKET, BOTTOM COWL	27	4	47-65960	IMPELLER, WATER PUMP	41	27
27-73665	GASKET, WATER JACKET COVER	23	15				
27-76168A1	GASKET, SILENCER COVER	3	36				
27-76952	GASKET, CARBURETOR PLATE TO CARBURETOR	15	25				
28-30281	KEY, LOCATING-BEARING CARRIER	43	71				
28-56654	KEY, IMPELLER DRIVE	41	28				

PARTS INDEX

Part Number	Description	Pg.	Ref. No.	Part Number	Description	Pg.	Ref. No.
48-77340A4	PROPELLER ASSEMBLY (ALUMINUM)(PITCH 13")	46	-	248-5977A24	FLYWHEEL ASSEMBLY	7	4
48-77342A4	PROPELLER ASSEMBLY (ALUMINUM)(PITCH 15")	46	-	248-5977A9	FLYWHEEL ASSEMBLY	7	4
48-77344A4	PROPELLER ASSEMBLY (ALUMINUM)(PITCH 17")	46	-	332-2854	BOOT, IGNITION COIL END	9	47
48-77346A4	PROPELLER ASSEMBLY (ALUMINUM)(PITCH 19")	46	-	332-5772A1	SWITCH BOX ASSEMBLY . .	7	12
48-77348A4	PROPELLER ASSEMBLY (ALUMINUM)(PITCH 21")	46	-	338-4995A2	IGNITION COIL ASSEMBLY .	7	31
48-77350A4	PROPELLER ASSEMBLY (ALUMINUM)(PITCH 23")	46	-	339-5748A2	IGNITION COIL ASSEMBLY .	7	31
50-66015	STARTER MOTOR	13	1	398-5919A3	STATOR ASSEMBLY	7	38
52-34239	RATCHET, SLIDING CLUTCH	43	59	440-6647A2	CRANKSHAFT ASSEMBLY .	25	1
53-26933	RING, SNAP - OUTER RACE CLAMPING	25	18	535-5397A4	CENTER MAIN BEARING ASSEMBLY	25	14
53-29641	"E" RING, RETAINING-SHIFT SHAFT	41	40	540-5266A5	MAIN BEARING ASSEMBLY (VALVE TYPE)	25	6
53-73591	SNAP RING, YOKE ATTACHING	31	15	622-4850A3	CONNECTING ROD AND CAP ASSEMBLY	25	25
54-23567	CLIP, WIRES AND HARNESS	7	22	745-6664A3	PISTON AND PISTON PIN ASSEMBLY	25	22
54-39844	CLAMP, HARNESS ATTACHING	9	43	745-6695A5	PISTON AND PISTON PIN ASSEMBLY (.015)	25	--
54-47483	"J" CLAMP, TRIGGER PLATE HARNESS	7	28	871-6591A3	CYLINDER BLOCK AND CRANKCASE ASSEMBLY	21	1
54-47483	"J" CLIP, SWITCH BOX WIRES AND FUEL LINE . .	7	11	871-6591A3	CYLINDER BLOCK AND CRANKCASE ASSEMBLY	23	1
54-52905	CLAMP, HARNESS - CHOKE SOLENOID SCREW	15	4	1021-3514	COVER, CYLINDER BLOCK .	23	24
54-68424	CLAMP, FUEL LINE ATTACHING	19	18	1148-5410A1	END CAP ASSEMBLY, LOWER	23	10
54-76368	CLAMP, WIRING HARNESS .	13	24	1161-5940A2	END CAP ASSEMBLY, UPPER	23	2
55-28414	PIN, LOWER SHOCK MOUNTING (LONG SHAFT)	33	30	1379-6071A10	CARBURETOR ASSEMBLY (TOP)	15	14
55-28416	PIN, UPPER SHOCK MOUNTING	33	16	1379-6071A10	CARBURETOR ASSEMBLY, COMPLETE (TOP)	17	1
55-58780A2	SHOCK ABSORBER	35	33	1379-6071A11	CARBURETOR ASSEMBLY (BOTTOM)	15	14A
55-65447	PIN, LOCK SHOCK MOUNTING (SHORT SHAFT)	33	30	1379-6071A11	CARBURETOR ASSEMBLY, COMPLETE (BOTTOM) . .	17	1
84-65999A5	WIRE ASSEMBLY	7	14	1395-4555	INLET NEEDLE AND SEAT .	17	3
84-66053A1	WIRE ASS'Y	13	5	1395-4807	SHAFT, THROTTLE	17	20
84-73369	WIRING HARNESS (INTERNAL)	13	22	1395-6196	VALVE, THROTTLE	17	21
84-73451A8	WIRE ASSEMBLY, SPARK PLUG	9	46	1395-6197	FLOAT	17	11
84-74263	WIRE, CHOKE KNOB TO CHOKE ROB (BLACK) . . .	15	12	1395-6198	VALVE ASSEMBLY, ENRICHMENT	17	26
84-77617	HARNESS, PRIMARY (CYLINDERS 1 AND 2) . . .	9	41	1395-6199	PLUG, MAIN JET	17	15
84-77618	HARNESS, PRIMARY (CYLINDERS 3 AND 4) . . .	9	42	1395-6200	GASKET KIT	17	--
86-66986	TERMINAL BLOCK	7	19	1395-6203	WASHER, THROTTLE SHAFT	17	24
89-68258	STARTER SOLENOID	13	14	1395-6204	SEAL, THROTTLE SHAFT . .	17	23
90-79166	MERC 80 PARTS MANUAL .	1	-	1395-6247	JET, MAIN (.090)	17	16
92-25234--1	GLUE, ADHESIVE - SOUND BLANKET FASTENING . . .	5	--	1395-6360	REPAIR PARTS KIT	17	--
				1395-6488	FUEL BOWL	17	12
				1395-6685	VENTURI	17	5
				1399-3795	JET, VENT BOWL (.072) . . .	17	2
				1440-6625A3	CLAMP BRACKET ASSEMBLY	33	1
				1453-6019A2	SWIVEL BRACKET ASS'Y(SHORT SHAFT)	31	1
				1482-6386A4	SWIVEL BRACKET ASS'Y (LONG SHAFT)	31	1
				1573-5239A4	DRIVE SHAFT HOUSING ASSEMBLY (LONG SHAFT)	37	1

PARTS INDEX

Part Number	Description	Pg.	Ref. No.	Part Number	Description	Pg.	Ref. No.
1623-6053A23	GEAR HOUSING ASS'Y, COMP. (LONG SHAFT) . . .	43	-				
1623-6053A23	GEAR HOUSING ASS'Y, COMPLETE(LONG SHAFT)	39	-				
1623-6053A37	GEAR HOUSING ASS'Y, COMP.(SHORT SHAFT) . . .	43	-				
1623-6053A5	GEAR HOUSING ASS'Y	43	1				
1623-6053A5	GEAR HOUSING ASSEMBLY	39	1				
1655-7333A23	GEAR HOUSING ASS'Y	43	1				
1655-7333A23	GEAR HOUSING ASSEMBLY	39	1				
1655-7333A25	GEAR HOUSING ASS'Y, COMP. (LONG SHAFT) . . .	43	-				
1655-7333A25	GEAR HOUSING ASS'Y, COMPLETE (LONG SHAFT)	39	-				
1655-7333A27	GEAR HOUSING ASS'Y, COMP. (SHORT SHAFT) . .	43	-				
1655-7333A27	GEAR HOUSING ASS'Y, COMPLETE (SHORT SHAFT)	39	-				
2104-5642A8	COWL FRONT COVER ASSEMBLY (WITHOUT DECALS)	5	1				
2114-5999	COWL, TOP (WITHOUT DECALS)	3	1				
2119-3248A16	WRAP AROUND COWL ASSEMBLY	5	11				
2158-5938	COWL, BOTTOM	27	1				