



# PARTS CATALOG

## MERC 75

### SERIAL NUMBER

75	.....	USA 4851693 THRU 5226934
75	.....	CAN 7111898 THRU 7136037
75	.....	AUS 8051350 THRU 8058019
75	.....	BEL 9181726 THRU 9219255

# TABLE OF CONTENTS:

BOTTOM COWL AND STOP SWITCH ASSEMBLY .....	28
CARBURETOR AND CHOKE ASSEMBLY .....	14
CARBURETOR ASSEMBLY, COMPLETE .....	10
CLAMP BRACKET ASSEMBLY .....	34
CRANKSHAFT AND MAIN BEARING ASSEMBLY .....	22
CYLINDER BLOCK AND CRANKCASE ASSEMBLY .....	20
DRIVE SHAFT HOUSING ASSEMBLY .....	30
ELECTRIC COMPONENTS .....	44
FLYWHEEL AND IGNITION COIL .....	2
GEAR HOUSING ASSEMBLY, COMPLETE (PAGE 1) .....	36
GEAR HOUSING ASSEMBLY, COMPLETE (PAGE 2) .....	40
IGNITION COMPONENTS .....	8
PARTS INDEX .....	46
PISTON AND CONNECTING ROD ASSEMBLY .....	24
SHIFT CONTROL LINKAGE .....	16
STEERING HANDLE ASSEMBLY .....	26
SWIVEL BRACKET ASSEMBLY .....	32
THROTTLE CONTROL LINKAGE .....	18
TOP COWL AND STARTER ASSEMBLY .....	4

**NOTE:** Indented description indicate that these parts are included in preceeding assembly.

**AR** = As Required

**NSS** = Not Sold Separate

**OPT** = Optional

**NS** = Not Shown

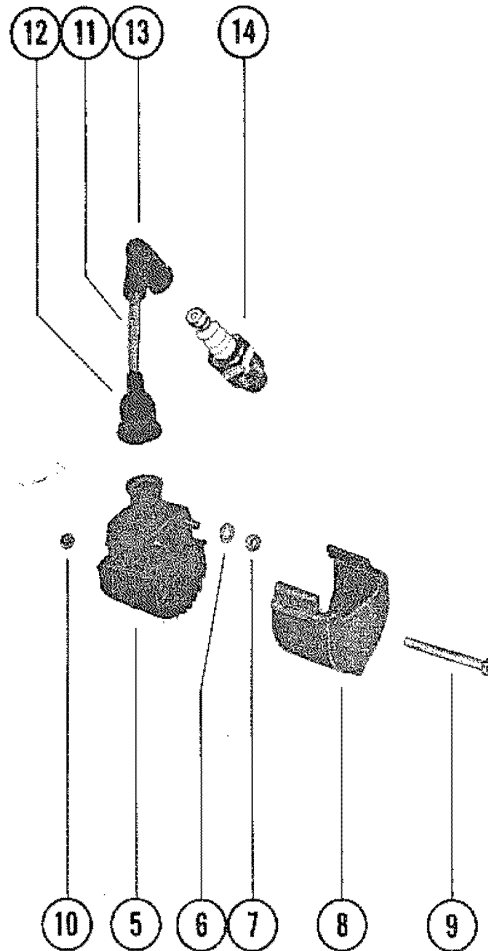
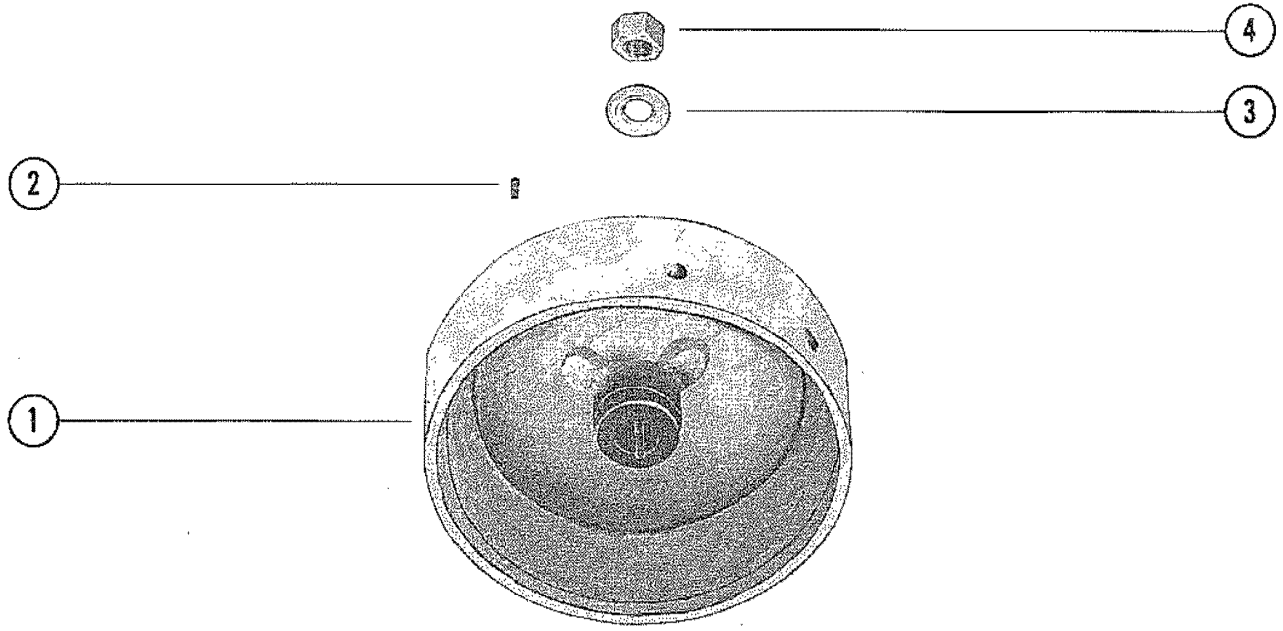
**NOTE:** Following symbols are located in **SYM** column.

- |   |   |   |
|---|---|---|
| ● = THE ENCLOSED GEAR HOUSING<br>INCLUDE ALL PARTS FROM REF#1-#66<br>AS LISTED ON GEAR HOUSING ASS'Y,<br>COMPLE | + | COMPONENTS OF GASKET AND<br>PACKING SET   |
| ■ = COMPONENT OF REPAIR PARTS KIT   | † | FOR MERC 75L LONG SHAFT ENGINES,<br>REPLACE 2 LOWER MOUNTS (A-77754)<br>WITH 2 (A-44455) MOUNTS |
| ■ = BELGIUM AND CANADA: USE [C-33-<br>75739] SPARK PLUG   | ○ | COMPONENT OF DIAPHRAGM AND<br>GASKET KIT.   |
| ◇ = COMPONENT OF [A-27-66358A74]<br>GASKET SET  |   |   |

**THESE PARTS BOOKS/FICHE CARD ARE COPYRIGHTED AND MAY NOT BE DISTRIBUTED OR REPRODUCED IN ANY OTHER FORMAT BY ANYONE OTHER THAN MERCURY MARINE WITHOUT THE PRIOR WRITTEN CONSENT OF MERCURY MARINE.**

THIS PAGE INTENTIONALLY LEFT BLANK

# FLYWHEEL AND IGNITION COIL

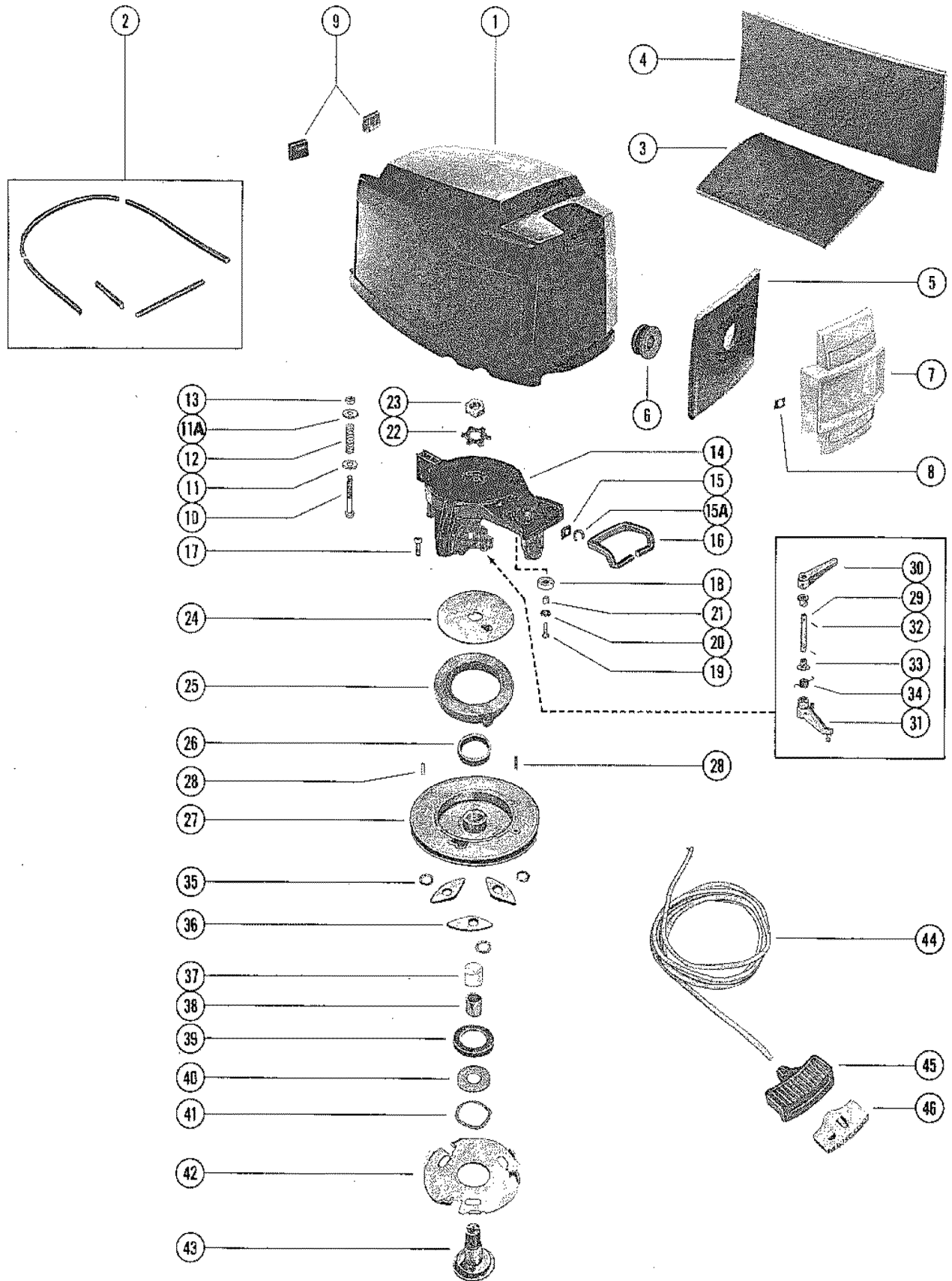


## FLYWHEEL AND IGNITION COIL

REF. NO.	PART NO.	SYM.	QTY.	DESCRIPTION
1	251-6194A1		0	FLYWHEEL ASSEMBLY (MANUAL)
	251-6105A1		0	FLYWHEEL ASSEMBLY (ELECTRIC)
	251-6105A3	■	0	FLYWHEEL ASSEMBLY (BELGIUM)
2	28-50094		0	KEY, FLYWHEEL DRIVE
3	12-36245		0	WASHER, FLYWHEEL NUT
5	339-5748A		0	COIL ASSEMBLY, IGNITION
4	11-20696		0	NUT, FLYWHEEL
6	13-26996		0	LOCKWASHER, IGNITION COIL TERMINAL
7	11-4506		0	NUT, IGNITION COIL TERMINAL
8	66355		0	COVER, IGNITION COIL
9	10-72074		0	SCREW, COIL COVER TO REAR SUPPORT BRACKET (4 5/8")
10	11-20110		0	NUT, COIL COVER SCREW
11	84-63212A2		0	LEAD ASSEMBLY, HIGH TENSION
12	332-2854		0	NIPPLE, IGNITION COIL
13	85-71006A1		0	PROTECTOR ASSEMBLY, SPARK PLUG .
14	33-58194		0	SPARK PLUG (AC#V40FFK)

■ = BELGIUM AND CANADA: USE [C-33-75739] SPARK PLUG

# TOP COWL AND STARTER ASSEMBLY

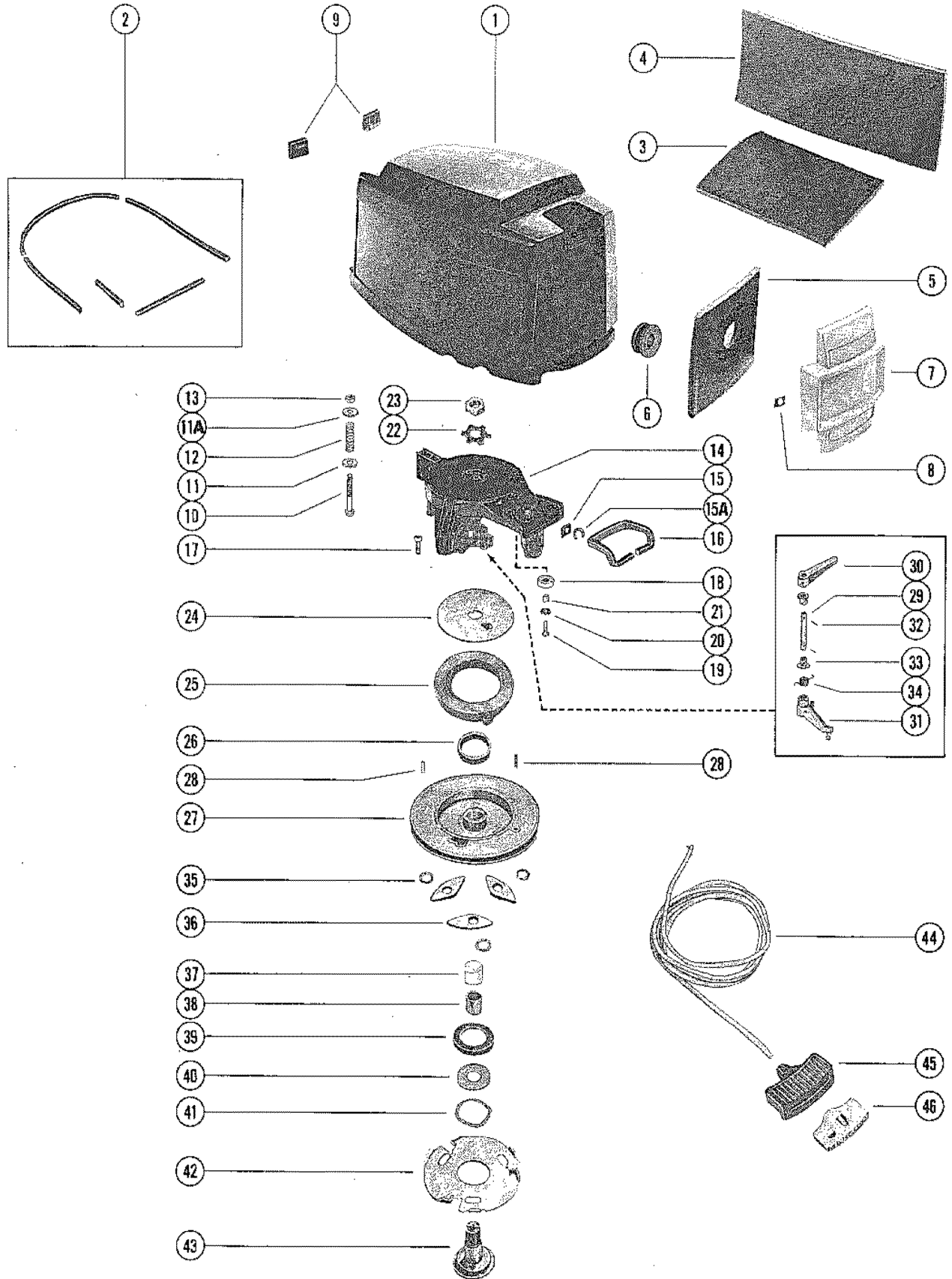


# TOP COWL AND STARTER ASSEMBLY

REF. NO.	PART NO.	SYM.	QTY.	DESCRIPTION
1	2160-6108A6		1	TOP COWL ASSEMBLY
2	65489--3		5	SEAL, TOP COWL (16 1/2")
3	66942		1	BLANKET, TOP COWL - TOP
4	66941		2	BLANKET, TOP COWL - SIDE
5	69522		1	BLANKET, TOP COWL - FRONT
6	25-39086		1	GROMMET, COWL LATCH - TOP COWL
7	71502		1	COVER, FRONT
8	11-65517		4	NUT, SPEED - FRONT COVER TO COWL
9	69346		2	BUMPER, COWL - REAR
10	17-72856		1	PIN, TOP COWL CATCH
11	12-65567		1	WASHER, TOP COWL CATCH (LOWER)
11A	12-57427		1	WASHER, TOP COWL CATCH (UPPER)
12	24-79351		1	SPRING, COMPRESSION - COWL CATCH
13	11-46887		1	NUT, COWL CATCH TO TOP COWL
14	78777A1		1	STARTER HOUSING ASSEMBLY
15	77859		1	INSERT, ROPE GUIDE - STARTER HOUSING
15A	77860		1	RING, RETAINING - ROPE GUIDE INSERT
16	65499--1		1	SEAL, STARTER HOUSING TO TOP COWL
17	10-7262		3	SCREW, STARTER HOUSING TO CRANKCASE (1")
18	55860		1	PULLEY, STARTER CABLE
19	10-28789		1	SCREW, CABLE PULLEY TO STARTER HOUSING (3/4")
20	12-22887		1	WASHER, CABLE PULLEY SCREW
21	23-30977		1	SPACER, CABLE PULLEY
22	14-20165		1	TAB WASHER, SHEAVE SHAFF NUT
23	11-20166		1	NUT, SHEAVE SHAFT (LEFT HAND THREAD)
24	20155		1	RETAINER, STARTER SPRING
25	24-29340A1		1	SPRING, STARTER REWIND
26	23-28912		1	BUSHING, STARTER SPRING GUIDE
27	50-74346A1		1	STARTER SHEAVE ASSEMBLY
28	17-22896		1	PIN, RETAINER - STARTER CABLE
29	74359		1	SHAFT, INTERLOCK
30	74353		1	LEVER, LOCK
31	74351		1	LEVER, FOLLOWER
32	17-38489		2	ROLL PIN, INTERLOCK SHAFT
33	23-26856		2	BUSHING, NYLON - INTERLOCK SHAFT
34	24-74347		1	SPRING, TORSION - INTERLOCK SHAFT
35	13-36206		3	WASHER, WAVE - STARTER PAWL
36	30596		3	PAWL, STARTER
37	23-28919		1	BUSHING, NYLON - SHEAVE SHAFT SPACER
38	23-61005		1	SPACER, SHEAVE SHAFT
39	26179		1	RETAINER, SHEAVE SHAFT TO STARTER SHEAVE
40	12-35559		1	WASHER, SHEAVE SHAFT RETAINER
41	13-20160		1	WASHER, WAVE - RETAINER TENSION

CONTINUED ON NEXT PAGE ➡

# TOP COWL AND STARTER ASSEMBLY

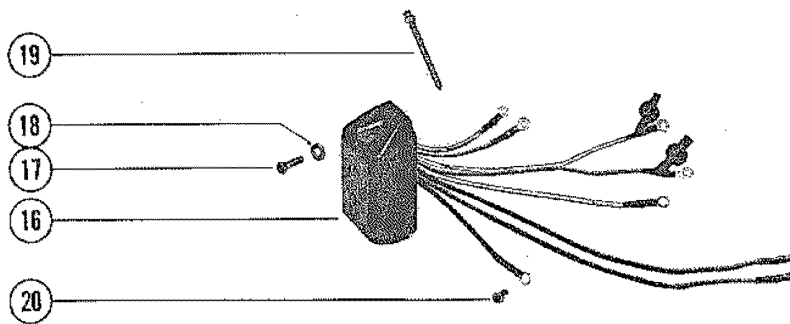
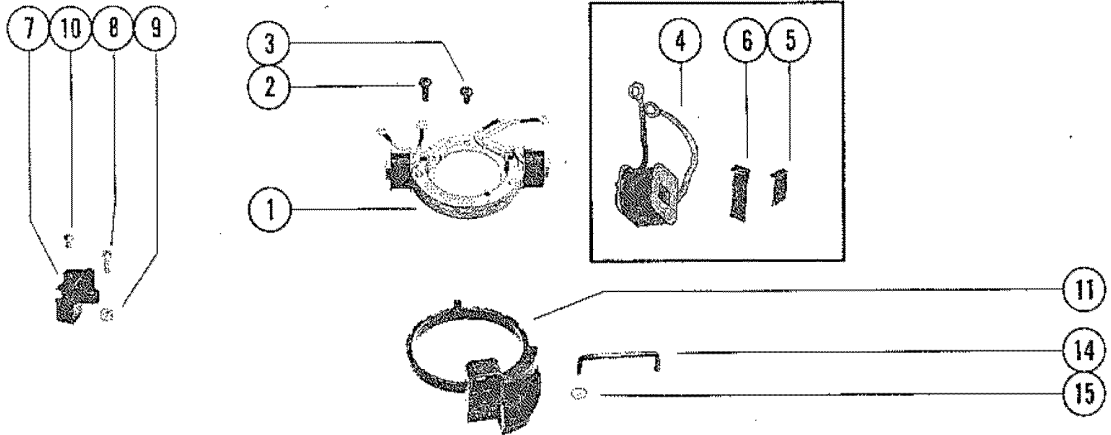




## TOP COWL AND STARTER ASSEMBLY

REF. NO.	PART NO.	SYM.	QTY.	DESCRIPTION
42	30595		1	PLATE, RETAINER - STARTER PAWL
43	35558		1	SHAFT, SHEAVE
44	50-61575A1		1	STARTER CABLE ASSEMBLY
45	77998		1	HANDLE, STARTER CABLE
46	77997A1		1	RETAINER ASSEMBLY <b>STARTER CABLE AND HANDLE</b>

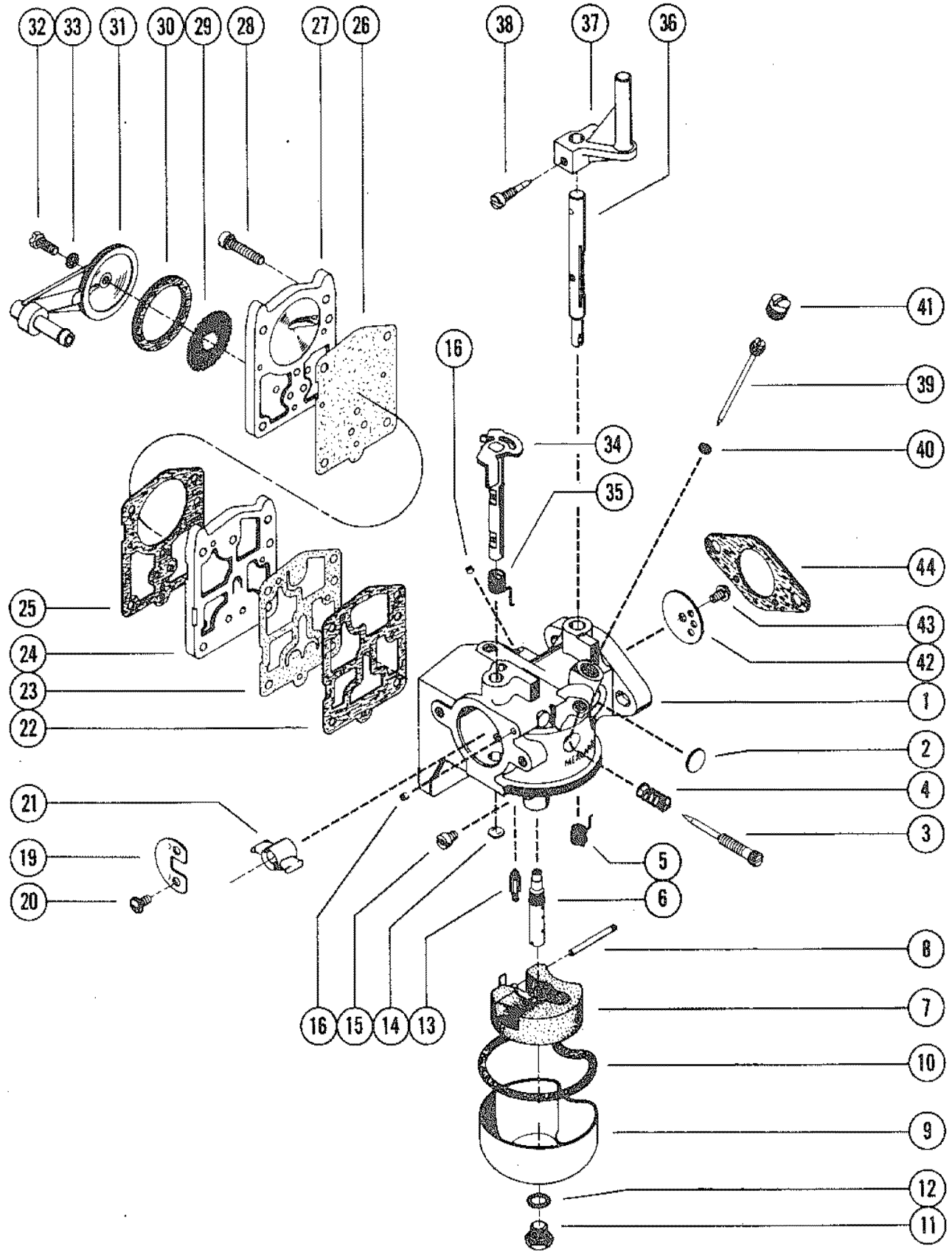
# IGNITION COMPONENTS



# IGNITION COMPONENTS

REF. NO.	PART NO.	SYM.	QTY.	DESCRIPTION
1	339-5209A3		1	STATOR ASSEMBLY
2	10-66707		3	SCREW, STATOR TO END CAP (7/8")
3	10-35400		1	SCREW, STATOR TO END CAP (3/8")
4	339-6119A1		1	COIL ASSEMBLY (5 1/2" AND 6 3/8" LEADS)
	339-6120A1		1	COIL ASSEMBLY (1 3/4" AND 3 1/2" LEADS)
5	54-59538		2	CLIP, COIL RETAINING
6	54-65927		2	CLIP, COIL RETAINING
7	86-74474		1	TERMINAL BLOCK, STATOR
8	10-20646		1	SCREW, TERMINAL BLOCK TO STATOR (5/8")
9	11-46438		1	NUT, TERMINAL BLOCK SCREW
11	338-5286A6		1	TRIGGER HOUSING ASSEMBLY
14	66371		1	LINK, TRIGGER HOUSING TO THROTTLE LEVER
15	11-65110		1	NUT, PUSH - LINK TO TRIGGER HOUSING
16	339-5287A4		1	SWITCH BOX
17	10-69022		2	SCREW, SWITCH ATTACHING (1/2")
18	12-56681		2	WASHER, SWITCH BOX ATTACHING SCREW
19	61990		5	STA-STRAP
20	10-45218		1	SCREW, GROUND LEAD TO CYLINDER BLOCK

# CARBURETOR ASSEMBLY, COMPLETE



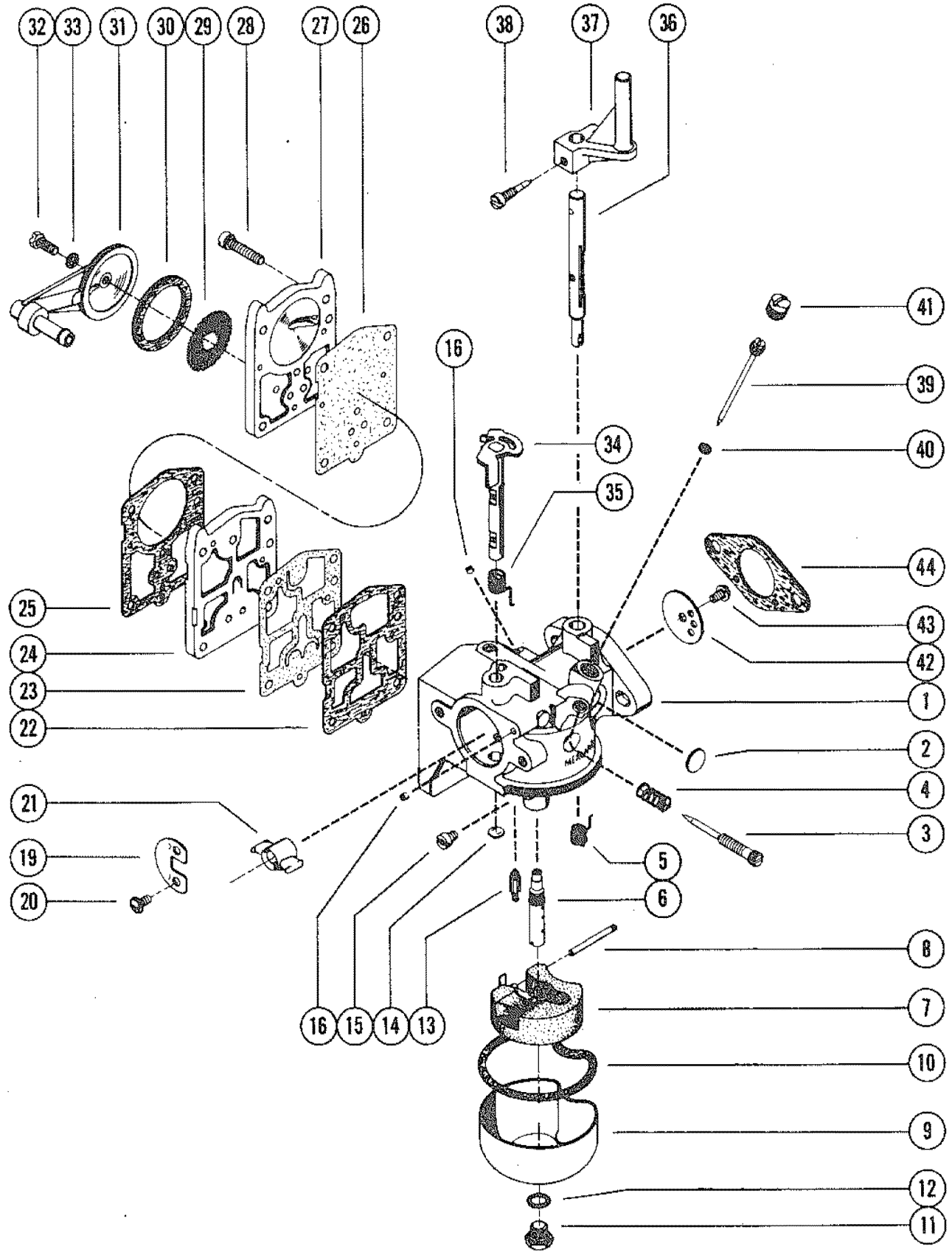
# CARBURETOR ASSEMBLY, COMPLETE

REF. NO.	PART NO.	SYM.	QTY.	DESCRIPTION
1	1364-6649		1	CARBURETOR ASSEMBLY
2		■	1	WELCH PLUG, BODY CHANNEL (LARGE)
3		■	1	SCREW, IDLE MIXTURE
4		■	1	SPRING, IDLE MIXTURE SCREW
5		■	1	SPRING. RETURN - THROTTLE SHAFT
6		■	1	MAIN NOZZLE
7	1399-5126		1	FLOAT
8		■	1	PIN, FLOAT RETAINING
9	1399-5127		1	FUEL BOWL
10		+■	1	GASKET, FUEL BOWL
11	1399-5128		1	SCREW, FUEL BOWL TO CARBURETOR
12		+■	2	GASKET, FUEL BOWL SCREW
13	1399-6141	■	1	INLET NEEDLE AND SPRING
14		■	1	WELCH PLUG, BODY CHANNEL (SMALL)
15	1399-1765	■	1	JET, MAIN FUEL (.045)
16		■	2	PLUG, BODY CHANNEL
19	1399-7274		1	CHOKE SHUTTER
20	10-23035		2	SCREW, CHOKE SHUTTER TO CHOKE SHAFT
21	69764		1	VENTURI
22		+■○	1	GASKET, FUEL PUMP DIAPHRAGM
23		■○	1	DIAPHRAGM, FUEL PUMP
24	1399-5129	+■○	1	BODY, FUEL PUMP
25		+■○	1	GASKET, FUEL PUMP DIAPHRAGM
26		■○	1	DIAPHRAGM, FUEL PUMP
27	1399-5131		1	BODY, STRAINER
28	1399-5132		4	SCREW, STRAINER BODY TO CARBURETOR
29	1399-5758	■	1	SCREEN, STRAINER
30		+■	1	GASKET, STRAINER COVER
31	1399-4236		1	COVER ASSEMBLY, STRAINER (INLET)
32		■	1	SCREW, STRAINER COVER TO BODY
33		+■	1	GASKET, STRAINER COVER SCREW
34	1399-5827		1	CHOKE SHAFT
35		■	1	SPRING, RETURN - CHOKE SHAFT
36	1399-5133		1	THROTTLE SHAFT
37	63646		1	LEVER, THROTTLE
38	10-20847		1	SCREW, THROTTLE LEGER ATTACHING
39		■	1	IDLE TUBE
40		+■	1	GASKET, IDLE TUBE
41	10-23178		1	SCREW, PLUG - IDLE TUBE
42	1399-5759		1	THROTTLE SHUTTER

■ = COMPONENT OF REPAIR PARTS KIT  
 + = COMPONENTS OF GASKET AND PACKING SET  
 ○ = COMPONENT OF DIAPHRAGM AND GASKET KIT.

CONTINUED ON NEXT PAGE ➡

# CARBURETOR ASSEMBLY, COMPLETE



## CARBURETOR ASSEMBLY, COMPLETE

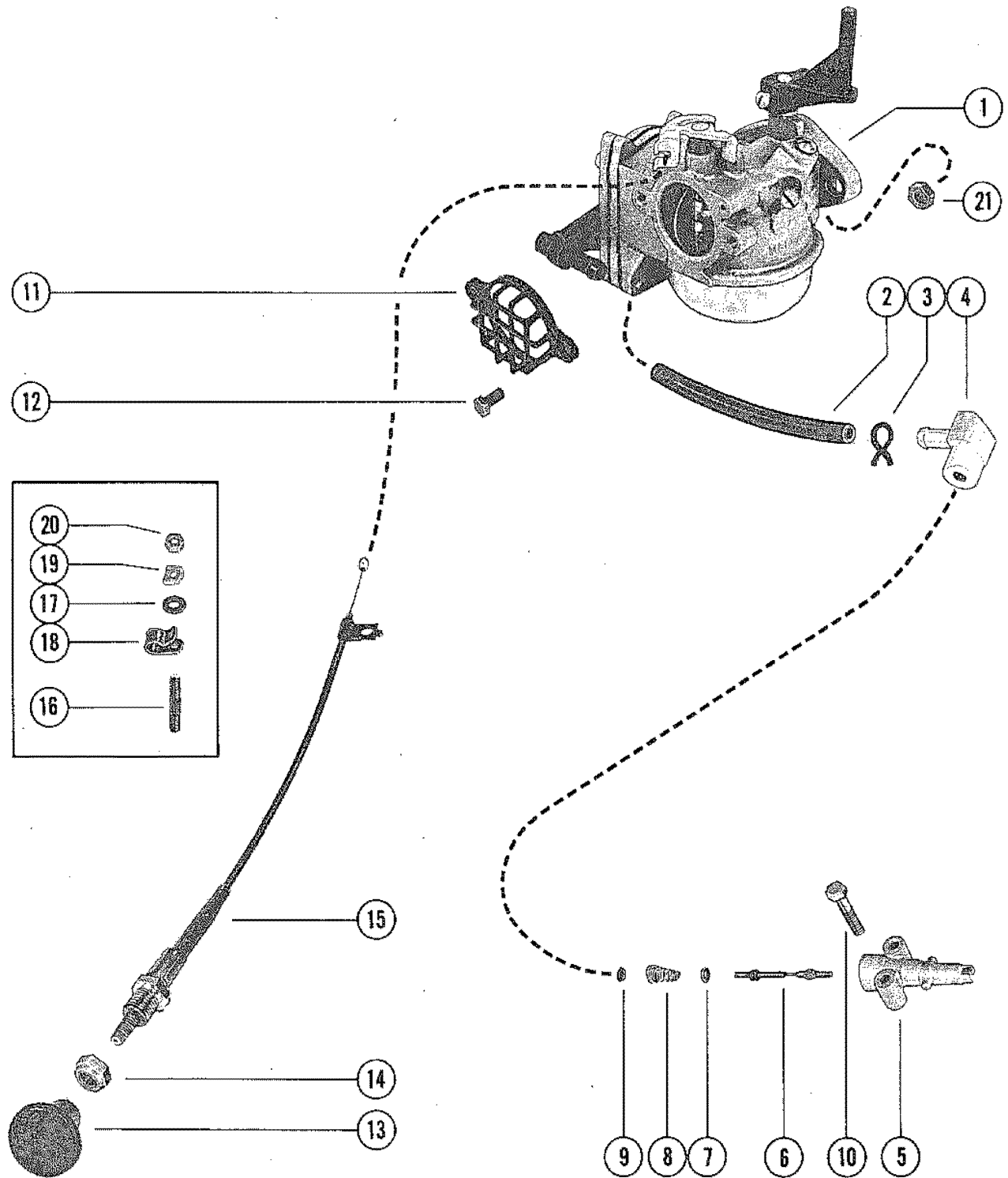
REF. NO.	PART NO.	SYM.	QTY.	DESCRIPTION
43		■	2	SCREW, THROTTLE SHUTTER TO THROTTLE SHAFT
44	27-63309	+ ■ ◇	1	GASKET, CARBURETOR FLANGE
-	<b>1399-5135</b>	■	1	<b>GASKET SET</b>
-	<b>1399-6348</b>		1	<b>REPAIR PARTS KIT</b>
-	<b>1399-5137</b>		1	<b>DIAPHRAGM AND GASKET KIT</b>

■ = COMPONENT OF REPAIR PARTS KIT

◇ = COMPONENT OF [A-27-66358A74] GASKET SET

+ = COMPONENTS OF GASKET AND PACKING SET

# CARBURETOR AND CHOKE ASSEMBLY



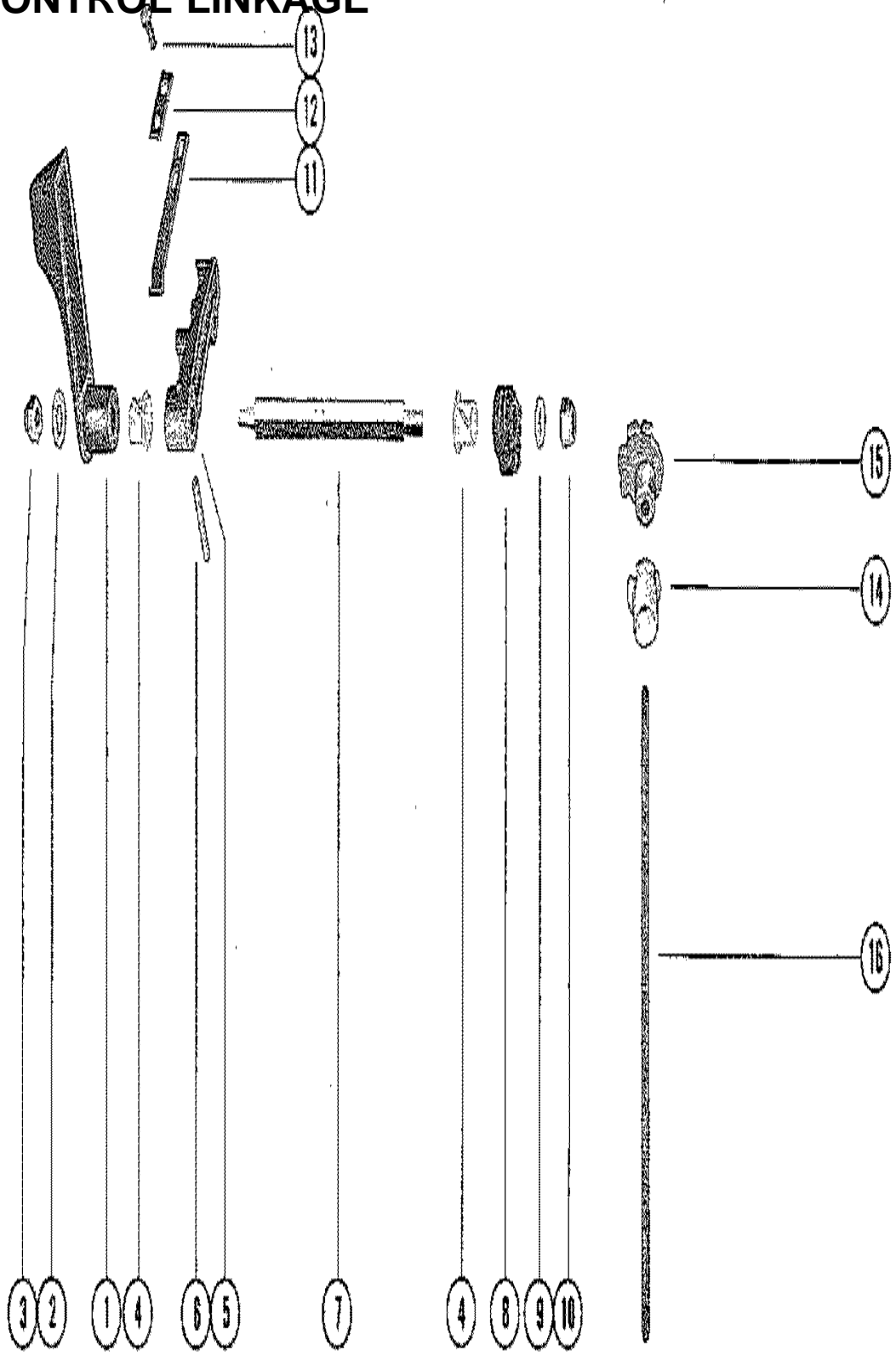


# CARBURETOR AND CHOKE ASSEMBLY

REF. NO.	PART NO.	SYM.	QTY.	DESCRIPTION
1	1364-6649		1	CARBURETOR ASSEMBLY, COMPLETE
2	32-70432		1	FUEL LINE, ADAPTOR TO CARBURETOR
3	54-68424		2	CLAMP, FUEL LINE ATTACHING
4	22-73705		1	FITTING, FUEL LINE TO ADAPTOR
5	22833		1	ADAPTOR, CHECK UNIT (FUEL LINE)
6	23069		1	STEM, CHECK UNIT ADAPTOR
7	25-20415	◇	1	"O" RING, ADAPTOR STEM
8	24-23067		1	SPRING, ADAPTOR STEM
9	30188		1	CUP WASHER, ADAPTOR
10	10-37923		1	SCREW, ADAPTOR TO BOTTOM COWL (1 1/4")
11	65552		1	SCREEN, CARBURETOR
12	10-69022		2	SCREW, SCREEN TO CARBURETOR
13	63980		1	KNOB, CHOKE
14	11-73710		1	NUT, CHOKE CABLE TO BOTTOM COWL
15	72465		1	CABLE, CHOKE
16	16-69036		1	STUD, CHOKE CABLE TO CARBURETOR
17	12-56681		1	WASHER, CHOKE CABLE STUD
18	54-23568		1	CLIP, TRIGGER LEADS
19	69205		1	"D" WASHER, TRIGGER LEAD CLIP
20	11-45076		1	NUT, CHOKE CABLE STUD
21	11-46887		2	NUT, CARBURETOR ATTACHING

◇ = COMPONENT OF [A-27-66358A74] GASKET SET

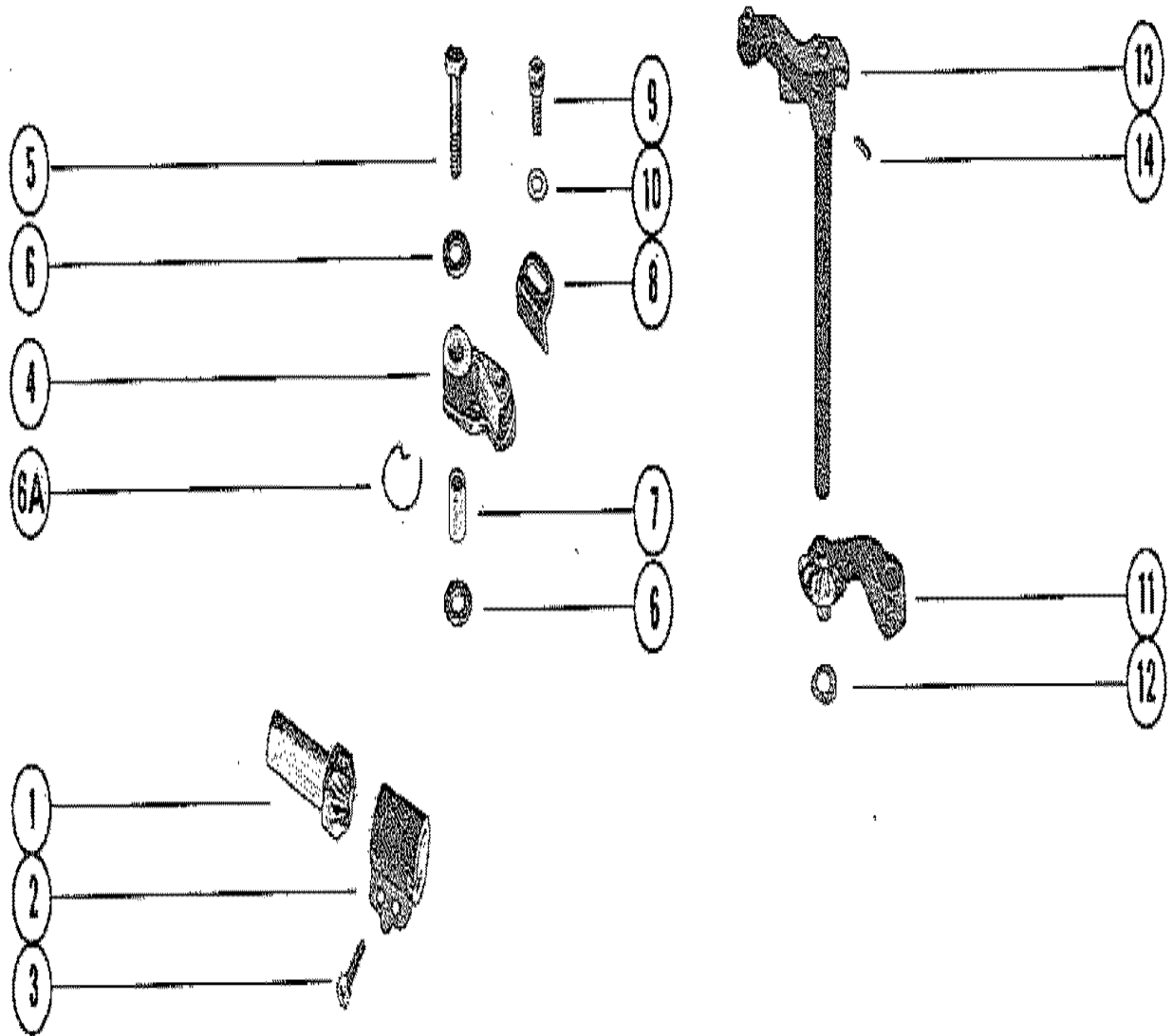
# SHIFT CONTROL LINKAGE



## SHIFT CONTROL LINKAGE

REF. NO.	PART NO.	SYM.	QTY.	DESCRIPTION
1	66376		1	HANDLE, SHIFT CONTROL (MANUAL)
	74352		1	HANDLE, SHIFT CONTROL (ELECTRIC)
2	12-29245		1	WASHER, SHIFT CONTROL SHAFT
3	11-39305		1	NUT, SHIFT HANDLE TO SHIFT CONTROL SHAFT
4	23-66375		2	BUSHING, NYLON - SHIFT CONTROL SHAFT
5	74350		1	LEVER, SHIFT CONTROL (REMOTE)
6	17-25905		1	PIN, SHIFT LEVER TO SHIFT CONTROL SHAFT
7	66379		1	SHAFT, SHIFT CONTROL
8	43-66377		1	GEAR, SECTOR - SHIFT CONTROL SHAFT (HORIZONTAL)
9	12-29245		1	WASHER, SHIFT CONTROL SHAFT
10	11-20361		1	NUT, SECTOR GEAR TO SHIFT CONTROL SHAFT
11	24-39627		1	SPRING, DETENT - SHIFT CONTROL LEVER
12	39601		1	PLATE, DETENT SPRING
13	10-25764		2	SCREW, PLATE AND SPRING TO ADAPTOR PLATE (1/2")
14	23-27132		1	BUSHING, NYLON - UPPER SHIFT SHAFT
15	43-60653		1	GEAR, SECTOR - SHIFT SHAFT
16	71660		1	SHIFT SHAFT

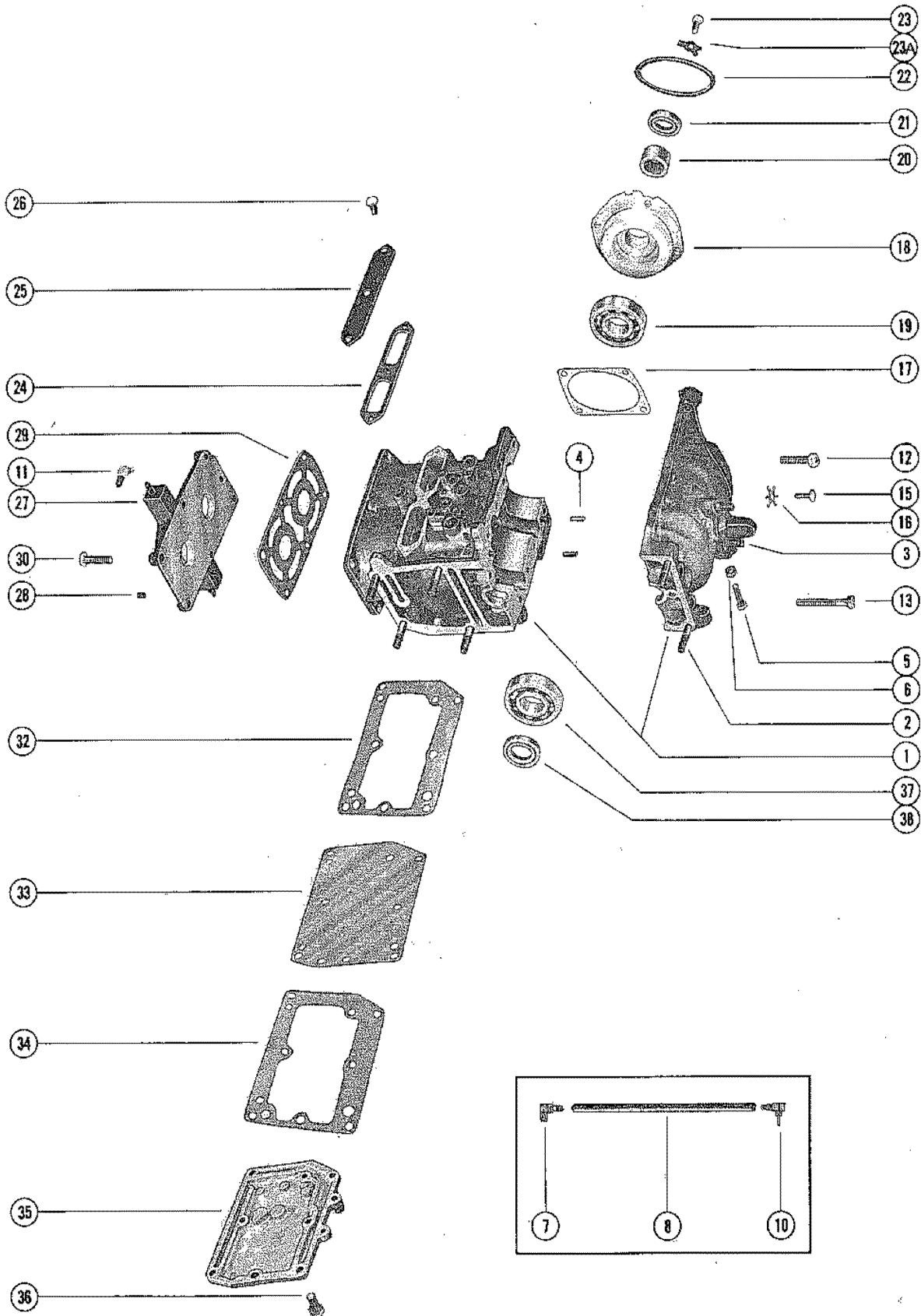
# THROTTLE CONTROL LINKAGE



## THROTTLE CONTROL LINKAGE

REF. NO.	PART NO.	SYM.	QTY.	DESCRIPTION
1	43-60856		1	GEAR, HORIZONTAL - THROTTLE CONTROL SOCKET
2	60885		1	HOUSING, THROTTLE CONTROL
3	10-73643		2	SCREW <b>THROTTLE CONTROL HOUSING TO BOTTOM COWL (3/4")</b>
4	63308A1		1	FOLLOWER ASSEMBLY, NEUTRAL SPEED LIMITER
5	10-20653		1	SCREW, LIMITER FOLLOWER TO BOTTOM COWL <b>(1 1/8")</b>
6	12-38753		2	WASHER, SPEED LIMITER FOLLOWER SCREW
6A	24-39042		1	SPRING, NEUTRAL SPEED LIMITER FOLLOWER
7	23-63320		1	BUSHING, SPEED LIMITER FOLLOWER SCREW
8	36017		1	STOP, NEUTRAL SPEED LIMITER
9	10-28710		1	SCREW <b>NEUTRAL SPEED LIMITER SOTP TO FOLLOWER (5/8")</b>
10	12-24676		1	WASHER, NEUTRAL SPEED LIMITER STOP SCREW
11	43-60858		1	GEAR, THROTTLE CONTROL
12	15-64653A1		AR	SHIM ASSEMBLY, GEAR AND SHAFT (LOWER)
13	66374A2		1	LEVER ASSEMBLY, THROTTLE CONTROL
14	17-76207		1	PIN, ROLL <b>THROTTLE CONTROL LEVER TO CONTROL SHAFT</b>

# CYLINDER BLOCK AND CRANKCASE ASSEMBLY

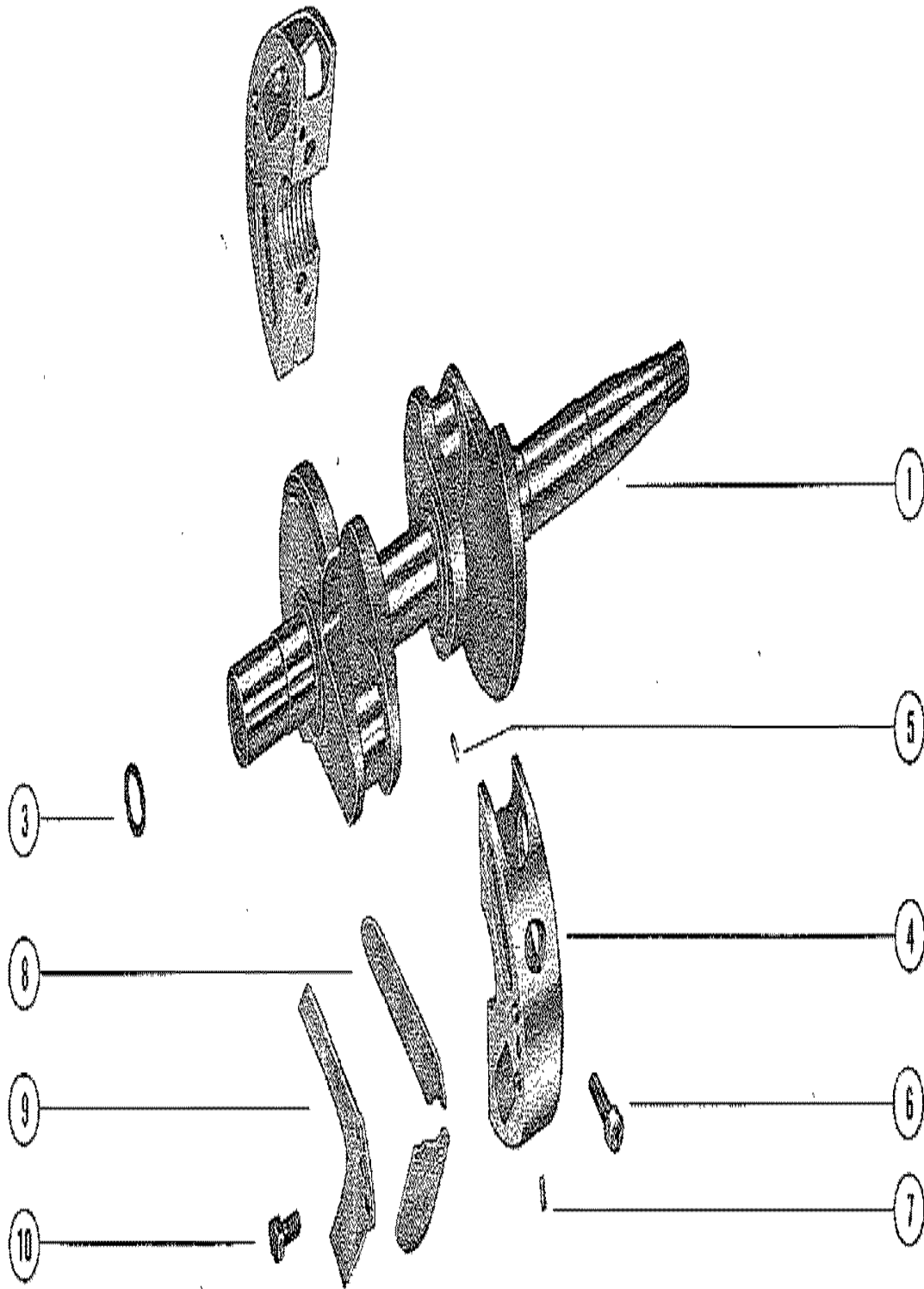


# CYLINDER BLOCK AND CRANKCASE ASSEMBLY

REF. NO.	PART NO.	SYM.	QTY.	DESCRIPTION
1	837-6542A5		1	CYLINDER BLOCK AND CRANKCASE ASS'Y
2	16-72809		6	STUD, BLOCK AND CRANKCASE TO DRIVE SHAFT HOUSING
3	16-66357		2	STUD, CARBURETOR MOUNTING
4	17-46912		2	PIN, DOWEL - CRANKCASE TO CYLINDER BLOCK
5	10-54467		2	SCREW, ADJ. - THROTTLE CONTROL (1 1/4")
6	11-68219		2	NUT, THROTTLE CONTROL ADJUSTING SCREW
7	22-65857		1	FITTING, BLEED DRAIN - CYLINDER BLOCK (TOP)
8	32-54936		1	HOSE, BLEED DRAIN (10 1/2")
10	21-77207		1	CHECK VALVE, BLEED - CRANKCASE (BOTTOM)
11	22-25885		1	ELBOW, TEEL TALE - CYLINDER BLOCK
12	10-76621		8	SCREW, CRANKCASE TO CYLINDER BLOCK
13	10-73280		2	SCREW, CRANKCASE TO CYLINDER BLOCK (1 1/2")
15	10-26801		1	SCREW, MAIN BEARING LOCKING (5/8")
16	14-20091		1	TAB WASHER, MAIN BEARING LOCKING SCREW
17	15-31412A1		AR	SHIM, UPPER HOUSING TO CYLINDER BLOCK (.002-3-5-10)
18	1164-6413A1		1	BEARING HOUSING ASSEMBLY, UPPER
19	30-20861		1	BEARING, BALL - UPPER BEARING HOUSING
20	31-31410		1	BEARING, ROLLER - UPPER BEARING HOUSING
21	26-66301		1	OIL SEAL, UPPER BEARING HOUSING
22	25-20863	◇	1	"O" RING, UPPER BEARING HOUSING
23	10-76611		4	SCREW, UPPER BEARING HOUSING (1/2")
23A	14-78102		4	TAB WASHER, UPPER BEARING HOUSING SCREW
24	27-78032	◇	1	GASKET, INTAKE COVER
25	78033		1	COVER, INTAKE
26	10-26537		3	SCREW, INTAKE COVER TO CYLINDER BLOCK
27	1019-5314A1		1	COVER ASSEMBLY, CYLINDER BLOCK
28	22-52644		1	PLUG, CYLINDER BLOCK COVER
29	27-78087	◇	1	GASKET, CYLINDER BLOCK COVER
30	10-76630		6	SCREW, CYL. BLOCK COVER TO CYLINDER BLOCK (1")
32	27-78035	◇	1	GASKET, CYLINDER BLOCK TO BAFFLE PLATE
33	78034		1	PLATE, BAFFLE - EXHAUST MANIFOLD
34	27-78035	◇	1	GASKET, BAFFLE PLATE
35	74919		1	COVER, EXHAUST MANIFOLD
36	10-28668		8	SCREW BAFFLE PLATE AND MANIFOLD COVER MOUNTING (3/4")
37	30-20861		1	BEARING, BALL - CRANKCASE (LOWER)
38	26-66301		1	OIL SEAL, CRANKCASE (LOWER)

◇ = COMPONENT OF [A-27-66358A74] GASKET SET

# CRANKSHAFT AND MAIN BEARING ASSEMBLY

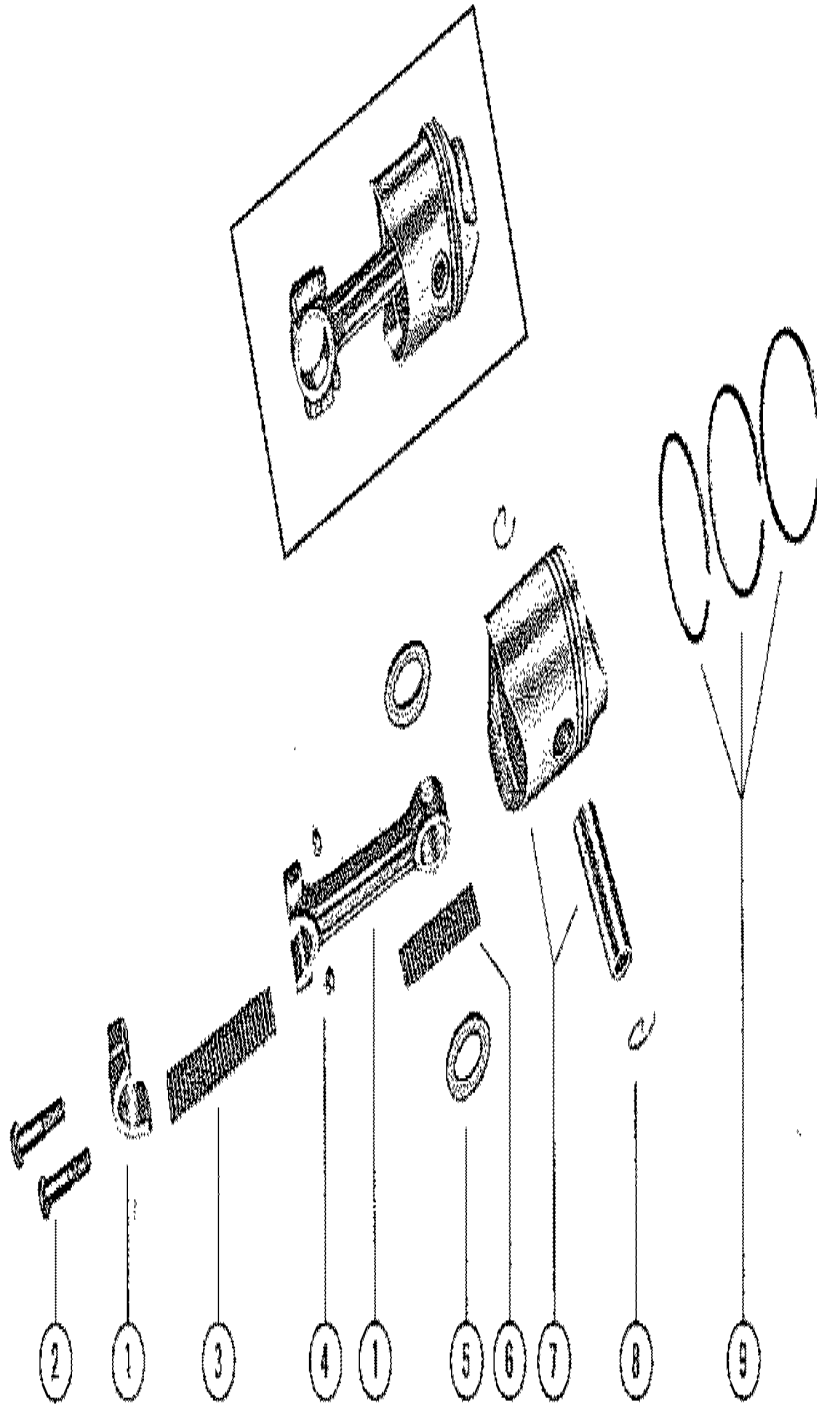




## CRANKSHAFT AND MAIN BEARING ASSEMBLY

REF. NO.	PART NO.	SYM.	QTY.	DESCRIPTION
1	421-5275		1	CRANKSHAFT
3	26-72793		1	SEAL, CRANKSHAFT
4	532-1938A6		1	MAIN BEARING ASSEMBLY (VALVE TYPE)
5	17-20032		2	PIN, DOWEL - MAIN BEARING
	17-65855		8	PIN, DOWEL - REED LOCATING
6	10-56781		2	SCREW, MAIN BEARING CLAMPING
7	17-20032		1	PIN, DOWEL - MAIN BEARING TO BLOCK
8	34-31942A1		1	REED SET, MATCHED - MAIN BEARING
9	34-20053		4	REED STOP, MAIN BEARING REED VALVES
10	10-27304		4	SCREW, REED STOP MOUNTING

# PISTON AND CONNECTING ROD ASSEMBLY

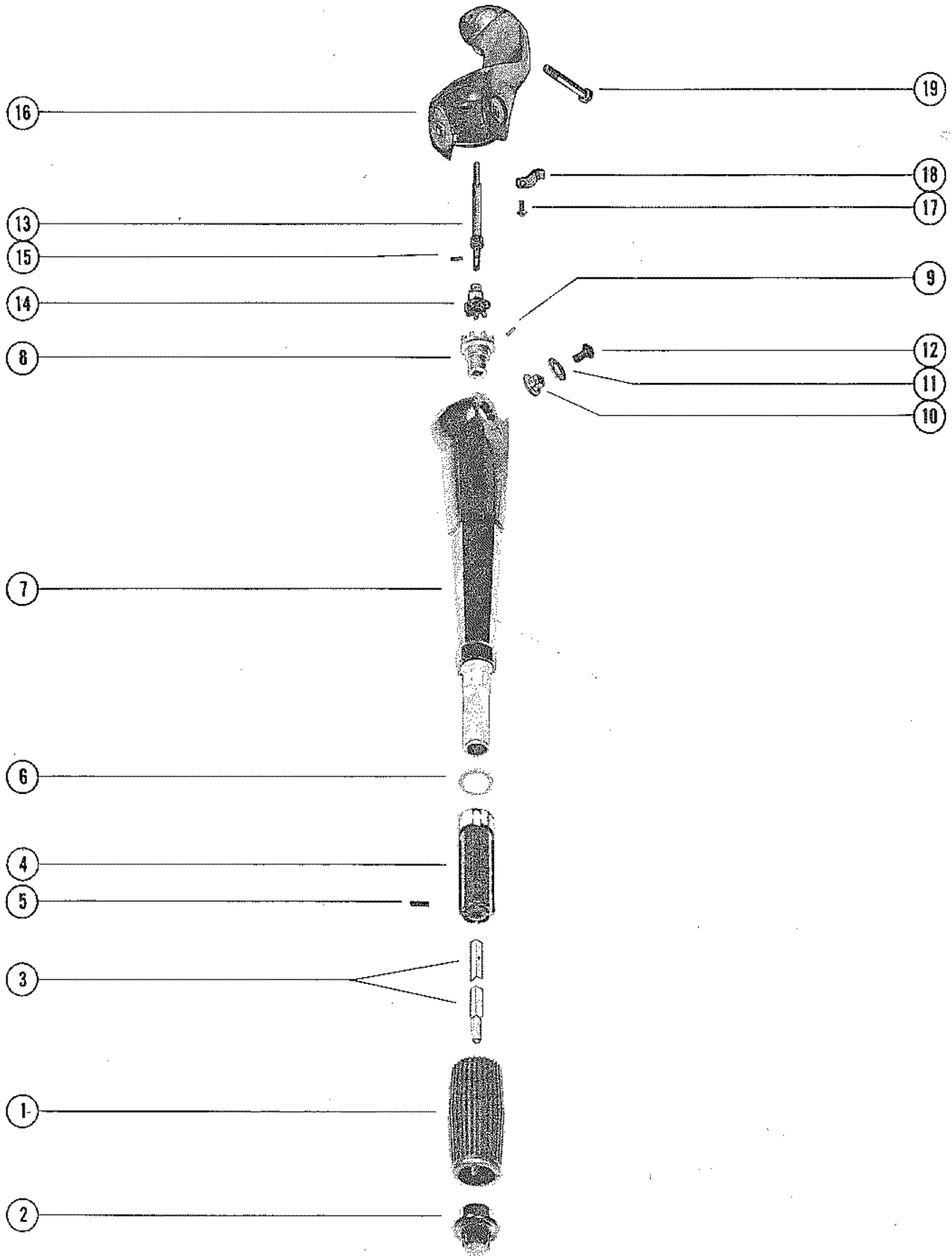


## PISTON AND CONNECTING ROD ASSEMBLY

REF. NO.	PART NO.	SYM.	QTY.	DESCRIPTION
1	608-4246A1		2	CONNECTING ROD ASSEMBLY
2	10-39154		4	SCREW, CONNECTING ROD
3	29-26815		58	BEARING, NEEDLE - CRANKPIN
4	11-20061		4	NUT, CONNECTING ROD SCREW
5	12-65967		4	WASHER, NEEDLE BEARING RETAINING
6	29-31505		40	BEARING, NEEDLE - PISTON PIN
7	719-3374A2		2	PISTON AND PISTON PIN ASSEMBLY
8	40-21666		4	LOCK RING, PISTON PIN
9	39-21665A12		1	RING, PISTON

NOTE: FOR REPLACEMENT OF POWERHEAD ASSEMBLY, COMPLETE, WHICH INCLUDES CYLINDER BLOCK AND CRANKCASE, PISTONS, CONNECTING RODS AND BEARING , ETC., ORDER THE PART NUMBER: POWERHEAD ASSEMBLY A-[75376A78]

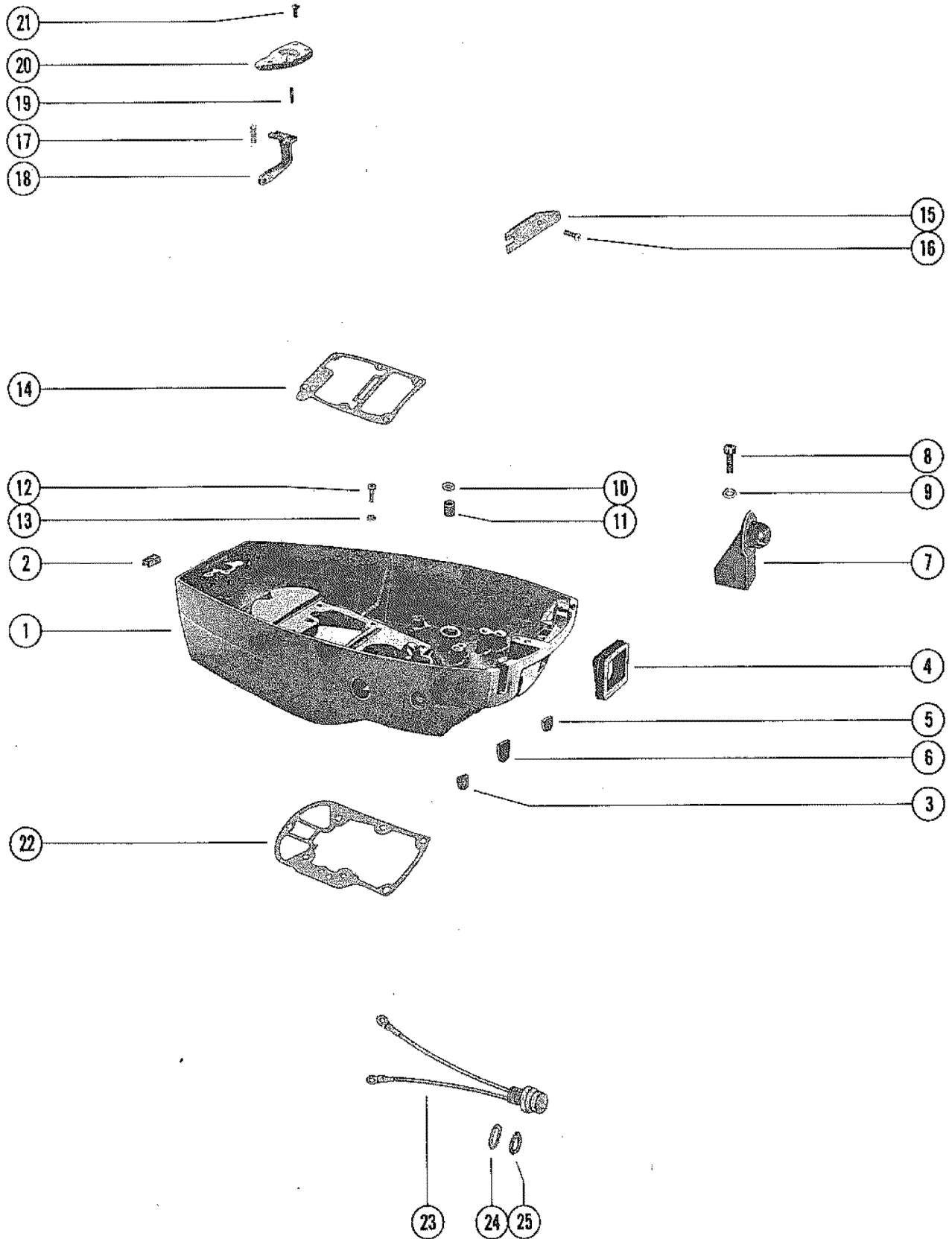
# STEERING HANDLE ASSEMBLY



# STEERING HANDLE ASSEMBLY

REF. NO.	PART NO.	SYM.	QTY.	DESCRIPTION
-	<b>60850A6</b>		1	<b>STEERING HANDLE ASSEMBLY, COMPLETE</b>
1	60854		1	GRIP, HANDLE
2	62251		1	CAP, HANDLE
3	66393		1	SHAFT, THROTTLE
4	66394A1		1	HANDLE, THROTTLE SHAFT
5	17-46152		1	PIN, STEERING HANDLE
6	12-62252		1	WASHER, THROTTLE HANDLE TO STEERING ARM
7	60850		1	ARM, STEERING HANDLE
8	43-60852		1	GEAR, BALL - THROTTLE SHAFT
9	17-27088		1	PIN, BALL GEAR GO THROTTLE SHAFT
10	48003		2	PIVOT, STEERING HANDLE TO BRACKET
11	15-48002015		AR	SHIM, STEERING HANDLE PIVOT TO BRACKET (.015)
12	10-64074		2	SCREW, STEERING HANDLE TO ARM BRACKET (5/8")
13	60857A2		1	UNIVERSAL JOINT ASSEMBLY
14	43-60852		1	GEAR, BALL - UNIVERSAL JOINT
15	17-77564		1	PIN, BALL GEAR TO UNIVERSAL JOINT
16	68768A2		1	BRACKET ASSEMBLY, STEERING ARM
17	10-62233		2	SCREW <b>DETENT SPRING TO STEERING ARM BRACKET (5/8")</b>
18	24-72847		2	SPRING, DETENT - STEERING HANDLE
19	10-78038		3	SCREW, STEERING ARM BRACKET TO SADDLE

# BOTTOM COWL AND STOP SWITCH ASSEMBLY

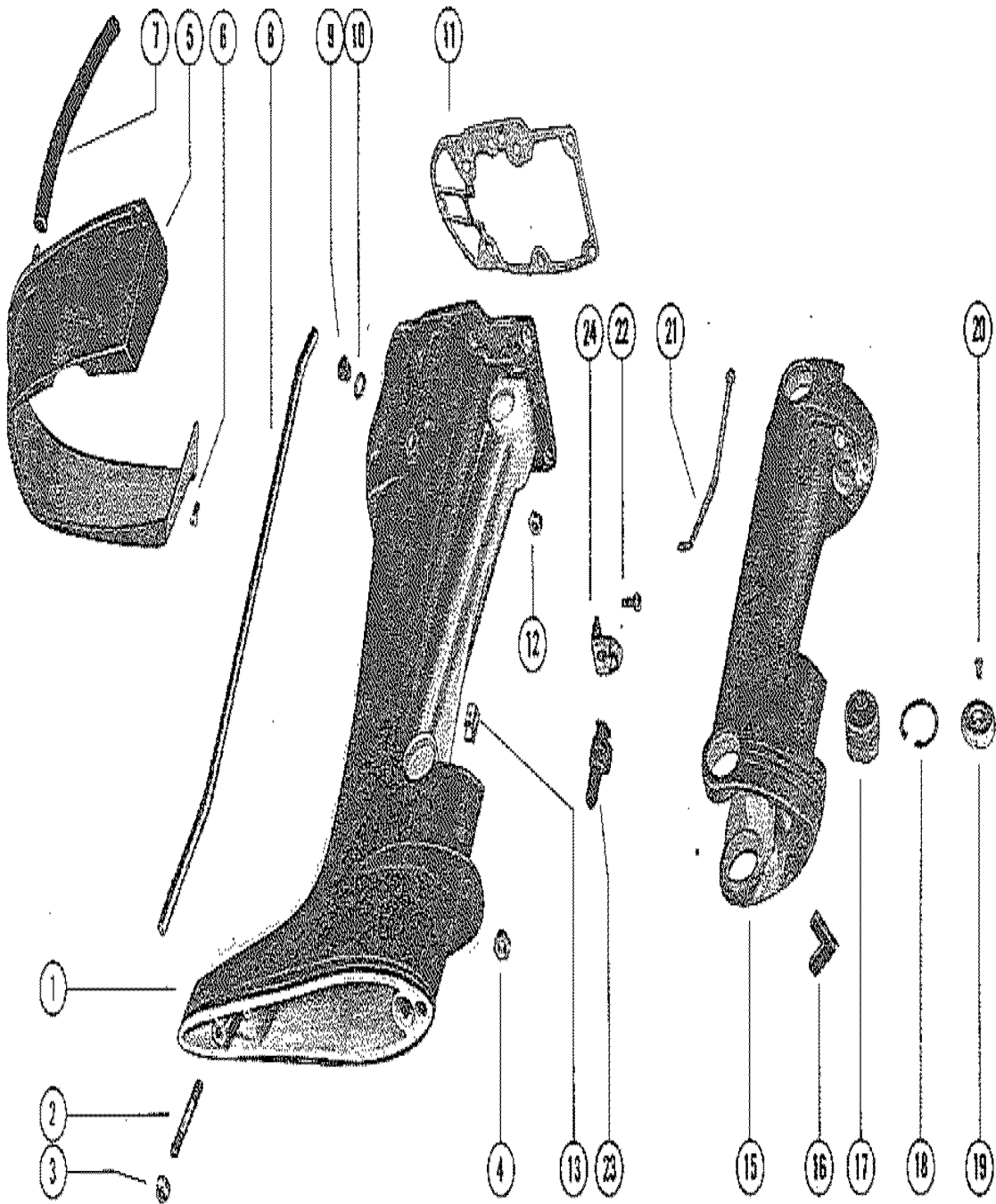


## BOTTOM COWL AND STOP SWITCH ASSEMBLY

REF. NO.	PART NO.	SYM.	QTY.	DESCRIPTION
1	2159-6681A2		1	COWL, BOTTOM
2	79300		2	MOLDING, BOTTOM COWL
3	74360		1	PLUG, BOTTOM COWL (MANUAL)
4	39778		1	GROMMET, CHOKE SHAFT - BOTTOM COWL
5	66353		1	COVER, ACCESS HOLE
6	65479		1	COVER, ACCESS HOLE
7	39474		1	ANCHOR, LATCH - BOTTOM COWL
8	10-22483		2	SCREW, LATCH ANCHOR TO BOTTOM COWL (1 1/8")
9	13-26992		2	LOCKWASHER, LATCH ANCHOR SCREW
10	12-36554		1	WASHER, NYLON - WATER OUTLET TUBE
11	26-36556	◇	1	SEAL, RUBBER - WATER OUTLET TUBE
12	10-38111		1	SCREW, BOTTOM COWL TO DRIVE SHAFT HOUSING (3/4")
13	13-26992		1	LOCKWASHER, BOTTOM COWL SCREW
14	27-45748	◇	1	GASKET, POWERHEAD TO ADAPTOR PLATE
15	74354		1	RETAINER, WIRING HARNESS (BOTTOM COWL) <b>ELECTRIC</b>
16	10-48408		1	SCREW, RETAINER TO BOTTOM COWL <b>ELECTRIC</b>
17	24-78810		1	SPRING, CABLE TO ARM LATCH
18	78809		1	LATCH, ARM - BOTTOM COWL
19	29-52168		1	PIN, ARM LOCATING
20	78808		1	LATCH, BODY - BOTTOM COWL
21	10-32228		3	SCREW, LATCH TO BOTTOM COWL
22	27-39050	◇	1	GASKET, BOTTOM COWL TO DRIVE SHAFT HOUSING
23	87-69508A1		1	STOP SWITCH ASSEMBLY <b>MANUAL</b>
24	13-69845		1	LOCKWASHER, STOP SWITCH <b>MANUAL</b>
25	11-69844		1	NUT, STOP SWITCH <b>MANUAL</b>

◇ = COMPONENT OF [A-27-66358A74] GASKET SET

# DRIVE SHAFT HOUSING ASSEMBLY





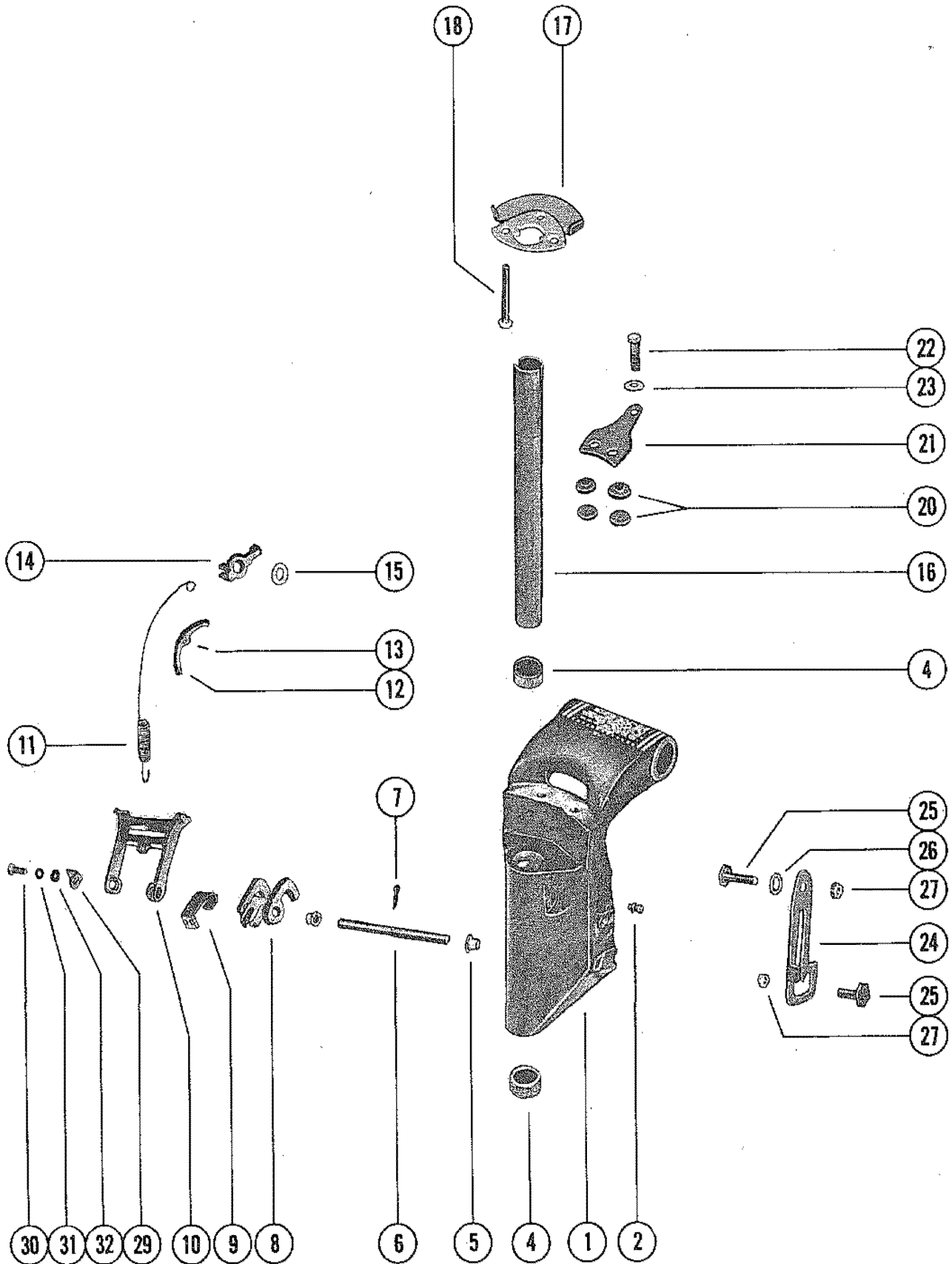
# DRIVE SHAFT HOUSING ASSEMBLY

REF. NO.	PART NO.	SYM.	QTY.	DESCRIPTION
1	1556-5945A2		1	DRIVE SHAFT HOUSING ASSEMBLY (SHORT SHAFT)
	1558-5946A3		1	DRIVE SHAFT HOUSING ASSEMBLY (LONG SHAFT)
2	16-66373		1	STUD, DRIVE SHAFT HOUSING TO GEAR HOUSING (2 5/16")
3	11-34863		1	NUT, DRIVE SHAFT HOUSING STUD (3/8 - 24)
4	11-35814		1	NUT, GEAR HOUSING TO DRIVE SHAFT HOUSING STUD (5/16 - 24)
5	72471		1	COVER, TRIM - DRIVE SHAFT HOUSING
6	10-64652		4	SCREW, TRIM COVER TO BOTTOM COWL (1/2")
7	32-34395A1		1	HOSE, TELL TALE (9 1/2")
8	32-39061		1	TUBE, WATER OUTLET <b>SHORT SHAFT</b>
	32-39062		1	TUBE, WATER OUTLET <b>LONG SHAFT</b>
9	10-28634		1	SCREW, FLUSH - DRIVE SHAFT HOUSING
10	12-20260		1	WASHER, SEALING - FLUSH SCREW
11	27-39050	◇	1	GASKET <b>ADAPTOR PLATE TO DRIVE SHAFT HOUSING</b>
12	11-24652		4	NUT <b>DRIVE SHAFT HOUSING TO POWERHEAD STUDS</b>
	11-24652		2	NUT <b>DRIVE SHAFT HOUSING TO POWERHEAD STUDS</b>
13	55435		1	BLOCK, DRIVE SHAFT <b>LONG SHAFT</b>
15	1559-6678A1		1	SADDLE ASSEMBLY
16	64076		1	BUMPER, THRUST - SADDLE
17	77754	†	4	MOUNT, LOWER AND UPPER .
18	53-26406		4	RING, RETAINING - UPPER AND LOWER MOUNT
19	71490		2	COVER, LOWER MOUNT
20	10-72169		2	SCREW, LOWER MOUNT COVER TO MOUNT (7/16")
21	71057		1	LINK ROD, REVERSE LOCK
22	10-65414		2	SCREW, CAM RETAINER TO DRIVE SHAFT HOUSING (3/4")
23	65216		1	CAM, REVERSE LOCK
24	72007		1	RETAINER, REVERSE LOCK CAM

◇ = COMPONENT OF [A-27-66358A74] GASKET SET

† = FOR MERC 75L LONG SHAFT ENGINES, REPLACE 2 LOWER MOUNTS (A-77754) WITH 2 (A-44455) MOUNTS

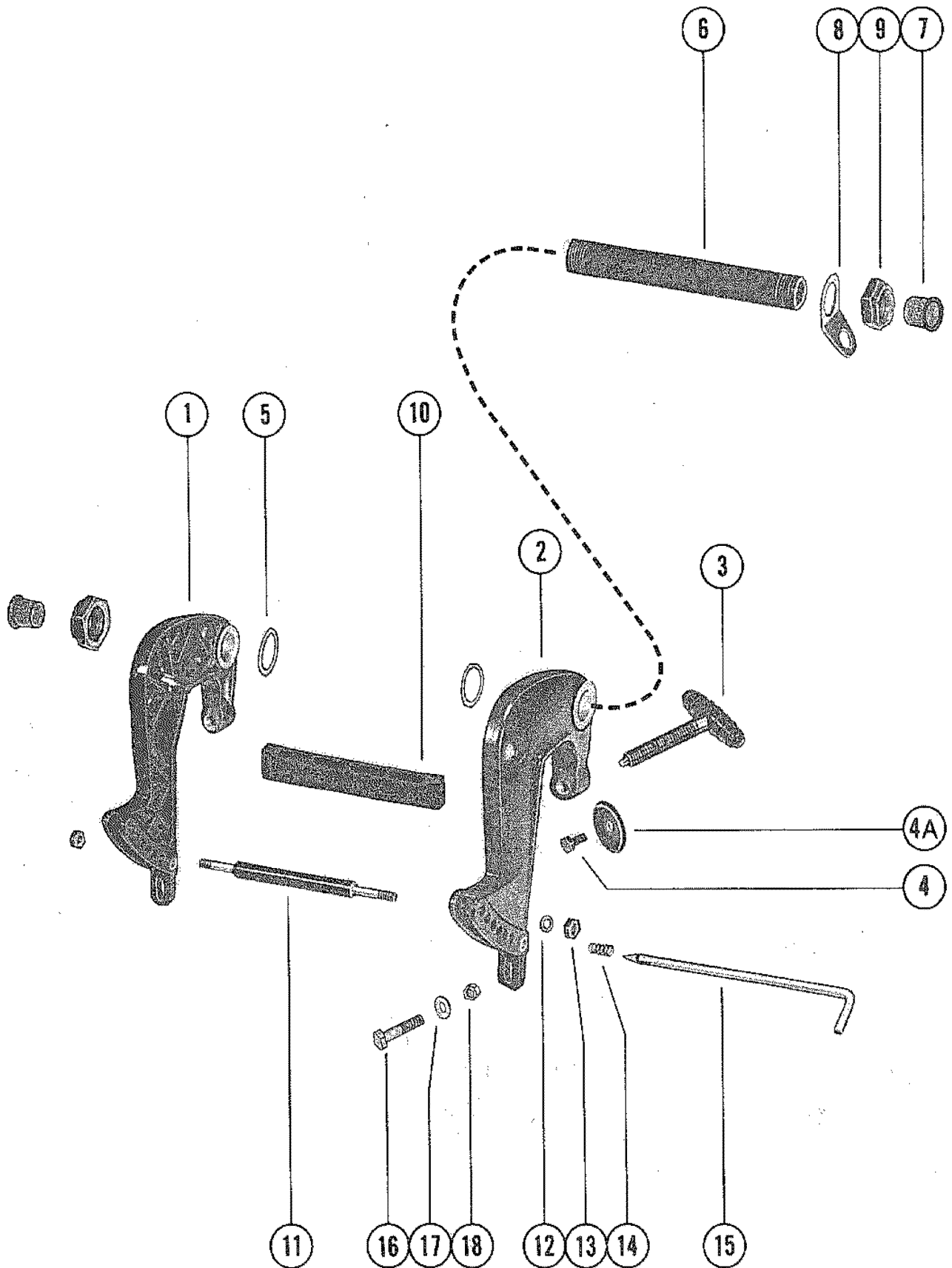
# SWIVEL BRACKET ASSEMBLY



# SWIVEL BRACKET ASSEMBLY

REF. NO.	PART NO.	SYM.	QTY.	DESCRIPTION
1	1471-6578A1		1	SWIVEL BRACKET ASSEMBLY
2	22-74036		3	FITTING, GREASE - SWIVEL BRACKET
4	23-64028		2	BUSHING, SWIVEL BRACKET
5	23-26841		2	BUSHING, NYLON - REVERSE LOCK LEVER ROD
6	71419		1	ROD, REVERSE LOCK TO SWIVEL BRACKET
7	18-45882		1	COTTER PIN, REVERSE LOCK LEVER TO ROD
8	63628		1	LEVER, REVERSE LOCK
9	61007		1	RETAINER, ROD - REVERSE LOCK
10	63559		1	BRACKET, TROLL
11	24-63630		1	SPRING, EXTENSION - TROLL BRACKET
12	63551		1	GUIDE, SPRING
13	17-25319		1	ROLL PIN, SPRING GUIDE
14	63553		1	LEVER, CONTROL - TROLL BRACKET
15	13-63631		1	WASHER, WAVE - TROLL BRACKET LEVER
16	66559		1	TUBE, SWIVEL BRACKET TO SADDLE
17	77334		1	CO-PILOT DISC
18	10-78038		3	SCREW, CO-PILOT DISC TO SADDLE
20	20203		4	DISC, FRICTION <b>CLAMP PLATE AND SWIVEL BRACKET</b>
21	72845A1		1	PLATE ASSEMBLY, CLAMP - CO-PILOT
22	10-36154		1	SCREW, CLAMP PLATE ADJUSTING
23	12-35462		1	WASHER, CLAMP PLATE ADJUSTING SCREW
24	63310A1		1	LEVER ASSEMBLY, TILT STOP
25	10-63311		2	SCREW, TILT STOP LEVER
26	13-31030		1	WASHER, WAVE - LEVER ANCHOR SCREW
27	11-35888		2	NUT, TILT STOP LEVER SCREW
29	72794		1	STOP, REVERSE LOCK
30	10-71056		1	SCREW, REVERSE STOP TO SWIVEL BRACKET
31	13-26992		1	LOCKWASHER, REVERSE STOP SCREW
32	12-71055		1	WASHER, REVERSE STOP SCREW

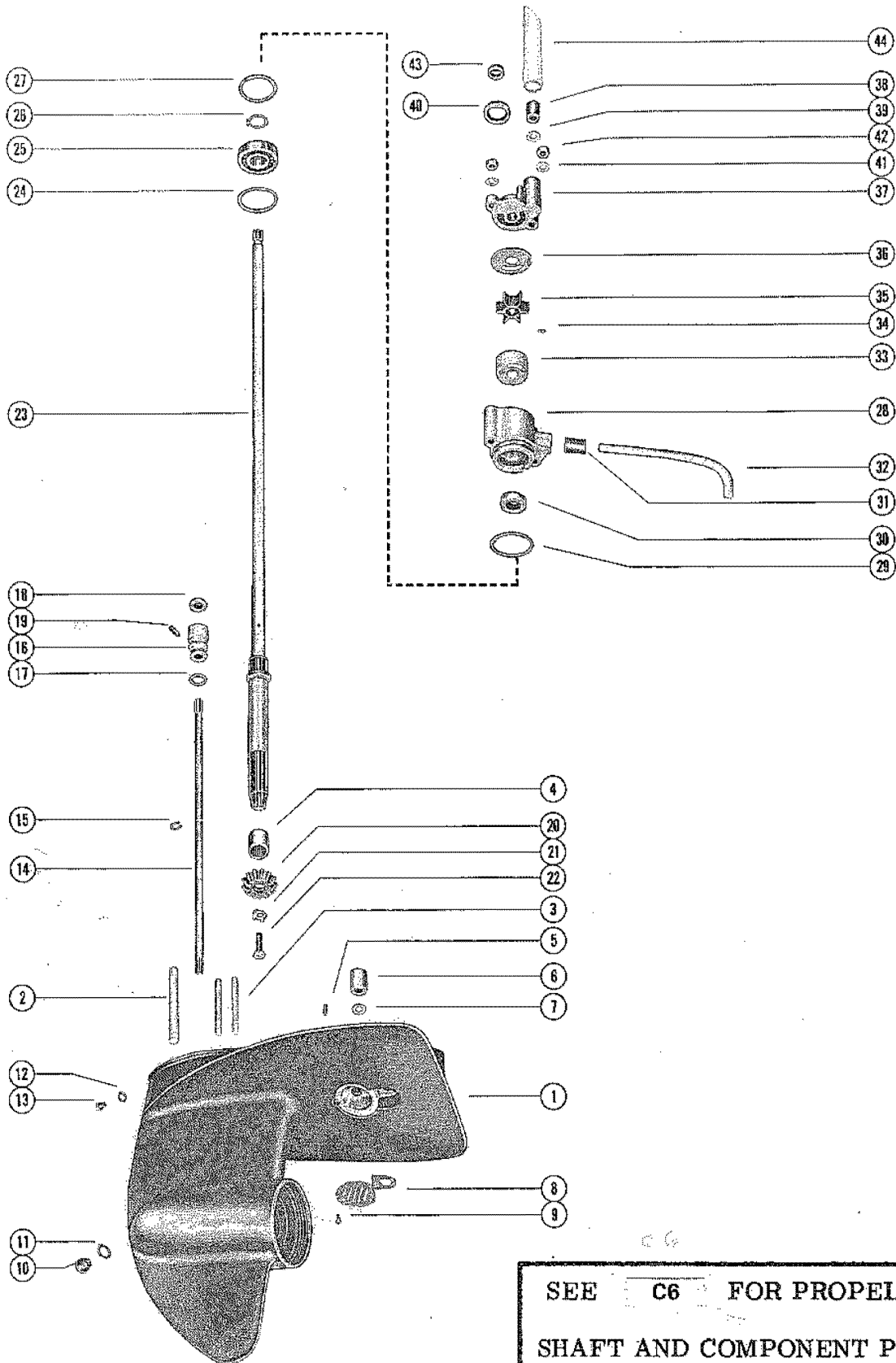
# CLAMP BRACKET ASSEMBLY



# CLAMP BRACKET ASSEMBLY

REF. NO.	PART NO.	SYM.	QTY.	DESCRIPTION
1	1468-5570A2		1	CLAMP BRACKET ASSEMBLY (PORT) WASHER ATTACHED WITH A RETAINING RING.
2	1467-5571A2		1	CLAMP BRACKET ASSEMBLY (STARBOARD) WASHER ATTACHED WITH A RETAINING RING.
3	74159A3		2	THUMB SCREW ASSEMBLY WASHER ATTACHED WITH A RETAINING RING.
1	1468-5570A3		1	CLAMP BRACKET ASSEMBLY (PORT) WASHER ATTACHED WITH A SCREW
2	1467-5571A3		1	CLAMP BRACKET ASSEMBLY (STARBOARD) WASHER ATTACHED WITH A SCREW
3	10-77190A3		2	THUMB SCREW ASSEMBLY WASHER ATTACHED WITH A SCREW
4	10-76804		2	SCREW, THUMB SCREW WASHER ATTACHED WITH A SCREW
4A	12-73719		2	WASHER, THUMB SCREW WASHER ATTACHED WITH A SCREW
5	12-71421		2	WASHER, TILT TUBE - CLAMP TO SWIVEL BRACKET
6	74250		1	TILT TUBE, CLAMP TO SWIVEL BRACKET
7	19-39333		2	PLUG, TILT TUBE
8	54-30954		1	CLIP, SAFETY CHAIN - TILT TUBE
9	11-56041		2	NUT, TILT TUBE FASTENING
10	71420		1	HANDLE, CARRYING
11	16-71417		1	STUD, CLAMP BRACKET
12	13-26992		2	LOCKWASHER, CLAMP BRACKET STUD
13	11-29598		2	NUT, CLAMP BRACKET STUD
14	24-62143		1	SPRING, TILT LOCK PIN
15	17-71418A2		1	TILT LOCK PIN ASSEMBLY
16	10-67982		2	BOLT, CLAMP BRACKET TO BOAT
17	12-67983		2	WASHER, CLAMP BRACKET SCREW
18	11-56374		2	NUT, CLAMP BRACKET SCREW

# GEAR HOUSING ASSEMBLY, COMPLETE (PAGE 1)



SEE C6 FOR PROPELLER  
SHAFT AND COMPONENT PARTS

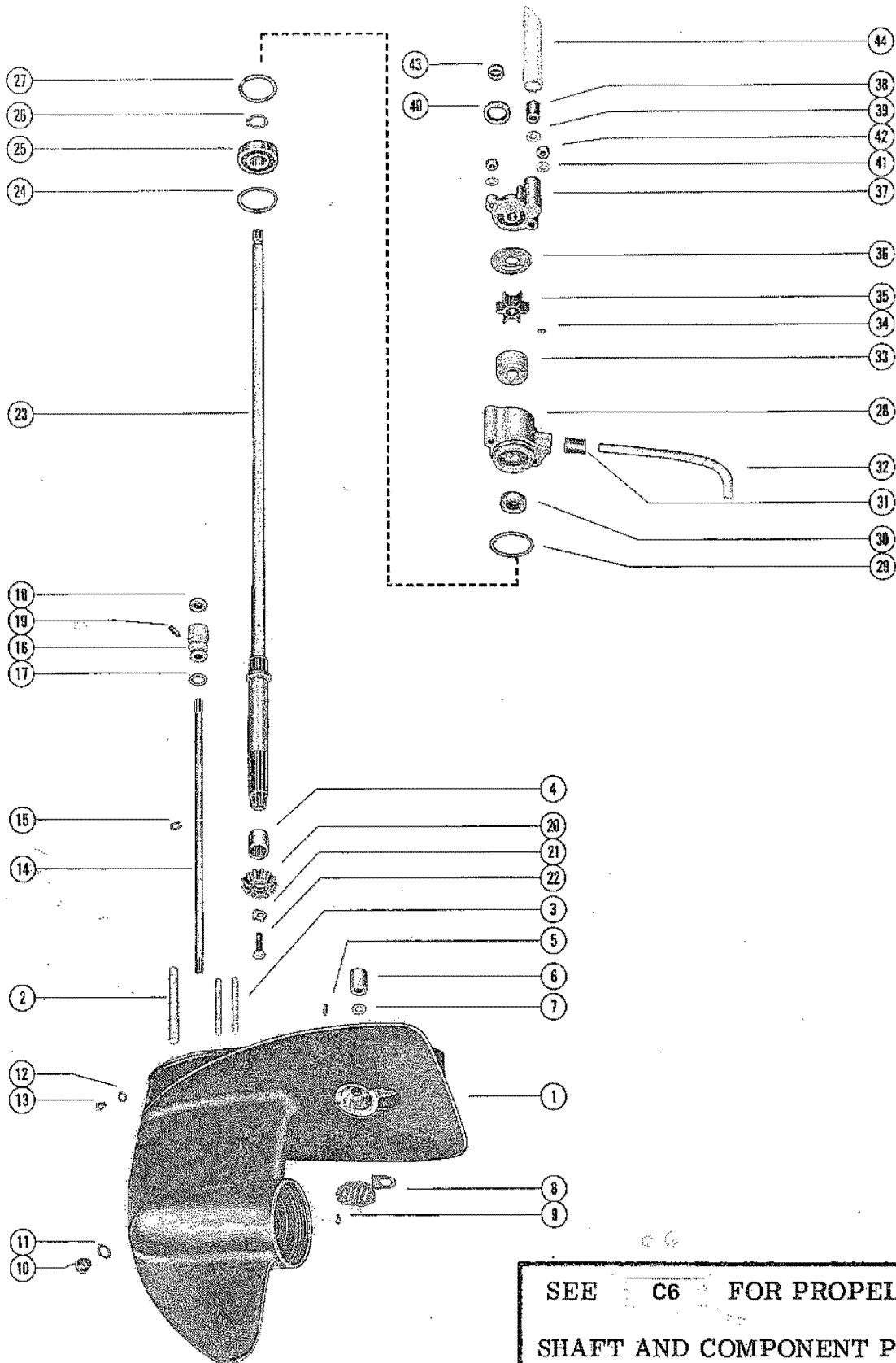
# GEAR HOUSING ASSEMBLY, COMPLETE (PAGE 1)

REF. NO.	PART NO.	SYM.	QTY.	DESCRIPTION
-	1630-5908A6	●	1	GEAR HOUSING ASS'Y, COMP. (SHORT SHAFT) NOT MACHINED FOR ANODE KIT
-	1630-5908A7	●	1	GEAR HOUSING ASS'Y, COMP. (LONG SHAFT) NOT MACHINED FOR ANODE KIT
-	1630-7360A12	●	1	GEAR HOUSING ASS'Y , COMP.(SHORT SHAFT) MACHINED FOR ANODE KIT
-	1630-7360A13	●	1	GEAR HOUSING ASS'Y, COMP.(LONG SHAFT) MACHINED FOR ANODE KIT
1	1630-5908A5	●	1	GEAR HOUSING ASS'Y NOT MACHINED FOR ANODE KIT
	1630-7360A11	●	1	GEAR HOUSING ASS'Y MACHINED FOR ANODE KIT
2	16-58138		1	STUD, GEAR HOUSING TO DRIVE SHAFT HOUSING (3 7/16")
3	16-58136		2	STUD, WATER PUMP HOUSING TO GEAR HOUSING (2 3/4")
4	31-22756		1	BEARING, ROLLER - DRIVE SHAFT
5	17-20032		1	PIN, DOWEL - LOCATING
6	26-33613	◇	1	SEAL, RUBBER - WATER INTAKE TUBE
7	12-36555		1	WASHER, NYLON - INTAKE TUBE SEAL
8	35-33425		1	SCREEN, WATER INTAKE
9	10-28642		1	SCREW, WATER INTAKE SCREEN TO GEAR HOUSING
10	10-28634		1	SCREW, GREASE FILLER HOLE
11	12-20260		1	WASHER, GREASE FILLER HOLE SCREW
12	12-20262		1	WASHER, GREASE VENT HOLE SCREW
13	10-28653		1	SCREW, GREASE VENT HOLE
14	71659A1		1	SHAFT ASSEMBLY, SHIFT (SHORT SHAFT)
	71658A1		1	SHAFT ASSEMBLY, SHIFT (LONG SHAFT)
15	53-22899		1	RING, RETAINING - SHIFT SHAFT
16	23-30676A1		1	BUSHING ASSEMBLY, SHIFT SHAFT
17	25-26802	◇	1	"O" RING, SHIFT SHAFT BUSHING
18	26-30696		1	OIL SEAL, SHIFT SHAFT BUSHING
19	10-39149		1	SCREW, SHIFT SHAFT BUSHING
20	43-48579		1	GEAR, PINION
21	14-30377		1	TAB WASHER, PINION GEAR TO DRIVE SHAFT SCREW
22	10-30376		1	SCREW, PINION GEAR TO DRIVE SHAFT
23	45-74851		1	DRIVE SHAFT (SHORT SHAFT)
	45-74850		1	DRIVE SHAFT (LONG SHAFT)
24	15-30527A1		AR	SHIM ASSEMBLY, BALL BEARING TO GEAR HOUSING (.002-3-5-10)
25	30-70944		1	BEARING, BALL - DRIVE SHAFT
26	53-30523		1	RING, RETAINING - BALL BEARING TO DRIVE SHAFT
27	15-30527A1		AR	SHIM ASSEMBLY, BALL BEARING TO GEAR HOUSING (.002-3-5-10)
28	46-70941A1		1	WATER PUMP HOUSING ASSEMBLY
29	25-29439	◇	1	"O" RING, WATER PUMP HOUSING

● = THE ENCLOSED GEAR HOUSING INCLUDE ALL PARTS FROM REF#1-#66 AS LISTED ON GEAR HOUSING ASS  
 ◇ = COMPONENT OF [A-27-66358A74] GASKET SET

CONTINUED ON NEXT PAGE ➡

# GEAR HOUSING ASSEMBLY, COMPLETE (PAGE 1)



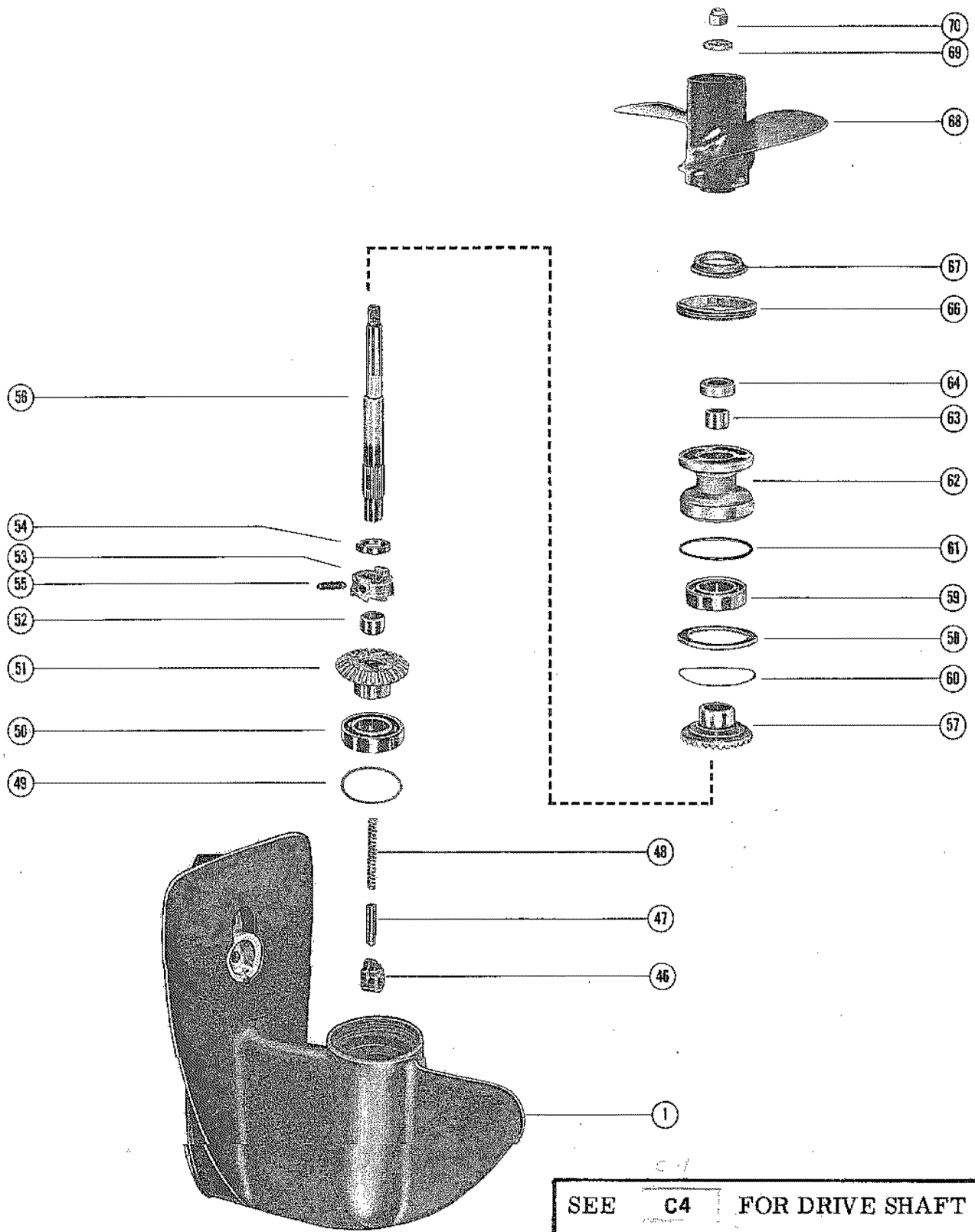


## GEAR HOUSING ASSEMBLY, COMPLETE (PAGE 1)

REF. NO.	PART NO.	SYM.	QTY.	DESCRIPTION
30	26-30900		1	OIL SEAL, WATER PUMP HOUSING
31	26-33613	◇	1	SEAL, WATER INTAKE TUBE
32	32-34293		1	TUBE, WATER INTAKE
33	70977		1	INSERT, WATER PUMP HOUSING
34	28-56655		1	KEY, IMPELLER DRIVE
35	47-65957		1	IMPELLER, WATER PUMP
36	46895		1	PLATE, FACE - WATER PUMP HOUSING TO <b>WATER PUMP COVER</b>
37	46896A1		1	WATER PUMP COVER ASSEMBLY
38	26-36558	◇	1	SEAL, WATER PUMP COVER
39	12-36554		1	WASHER, NYLON - WATER PUMP COVER
40	26-30913		1	OIL SEAL, WATER PUMP COVER
41	12-20533		2	WASHER, WATER PUMP HOUSING AND COVER STUDS
42	11-35888		2	NUT, WATER PUMP HOUSING AND COVER STUDS
43	25-30526	◇	1	RING, RUBBER - CENTRIFUGAL SLINGER ( <b>DRIVE SHAFT</b> )
44	23-31792		1	SLEEVE, GUIDE - WATER INLET TUBE

◇ = COMPONENT OF [A-27-66358A74] GASKET SET

# GEAR HOUSING ASSEMBLY, COMPLETE (PAGE 2)



SEE **C4** FOR DRIVE SHAFT  
AND COMPONENT PARTS

## GEAR HOUSING ASSEMBLY, COMPLETE (PAGE 2)

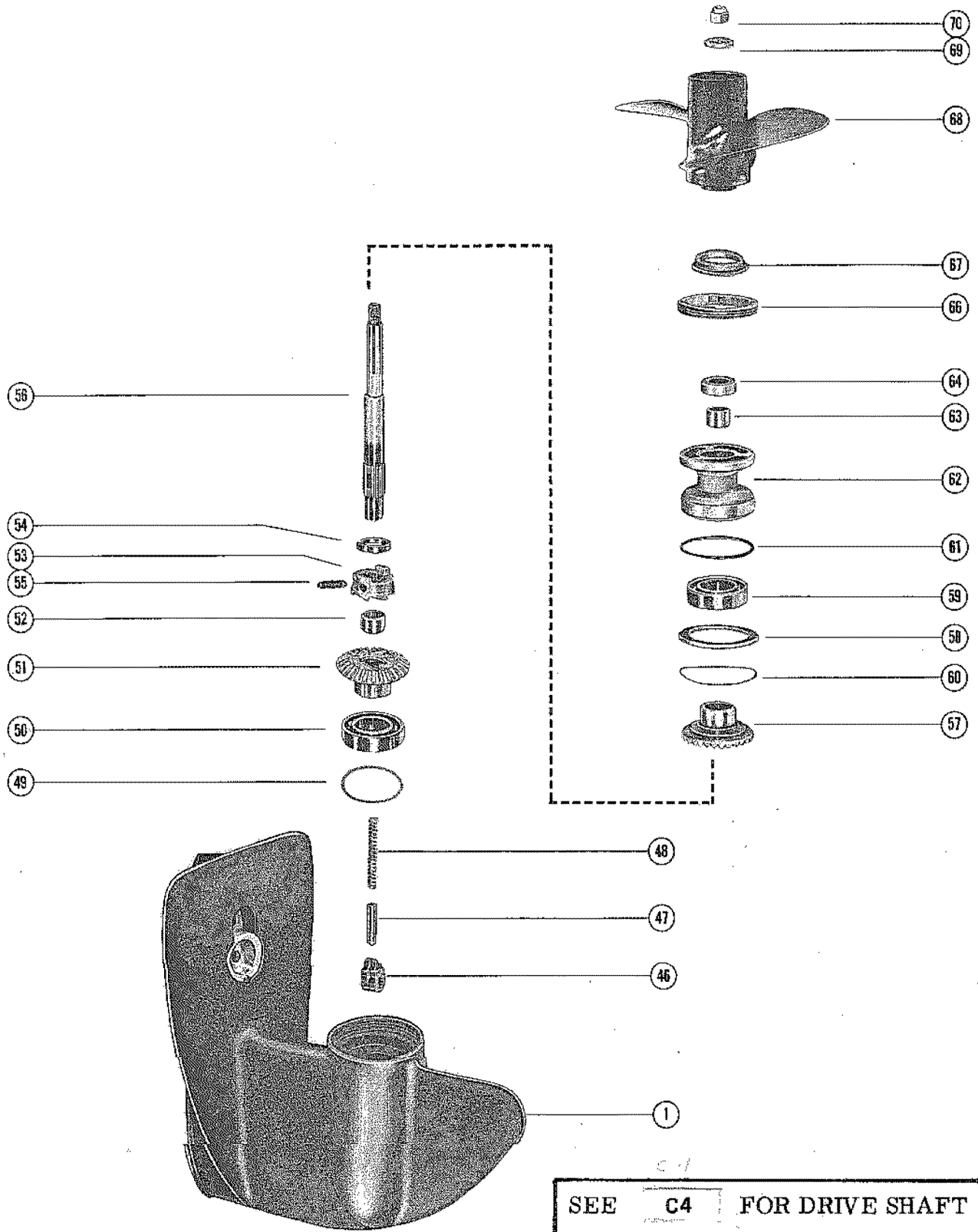
REF. NO.	PART NO.	SYM.	QTY.	DESCRIPTION
-	1630-5908A6	●	1	GEAR HOUSING ASS'Y- COMP.(SHORT SHAFT) NOT MACHINED FOR ANODE KIT
-	1630-5908A7	●	1	GEAR HOUSING ASS'Y- COMP.(LONG SHAFT) NOT MACHINED FOR ANODE KIT
-	1630-7360A12	●	1	GEAR HOUSING ASS'Y- COMP.(SHORT SHAFT) MACHINED FOR ANODE KIT
-	1630-7360A13	●	1	GEAR HOUSING ASS'Y- COMP.(LONG SHAFT) MACHINED FOR ANODE KIT
1	1630-5908A5		1	GEAR HOUSING ASS'Y - NOT MACHINED FOR ANODE KIT
	1630-7360A11		1	GEAR HOUSING ASS'Y - MACHINED FOR ANODE KIT
46	58981		1	CAM, SHIFT
47	31334		1	FOLLOWER, SHIFT CAM
48	24-76298		1	SPRING, COMPRESSION - CAM FOLLOWER
49	15-30522A1		AR	SHIM ASSEMBLY, BALL BEARING TO HOUSING (.002-3-5-10)
50	30-21889		1	BEARING, BALL - FORWARD GEAR
51	43-48577		1	FORWARD GEAR
52	31-22458		1	BEARING, ROLLER - FORWARD GEAR
53	52-63314		1	RATCHET, SLIDING CLUTCH
54	53-32449		1	RING, RETAINING - CROSS PIN
55	17-30535		1	PIN, CROSS - RATCHET TO PROPELLER SHAFT
56	44-75667A2		1	SHAFT ASSEMBLY, PROPELLER
57	43-63316		1	REVERSE GEAR
58	71479		1	SLEEVE, THRUST - REVERSE GEAR
59	30-21889		1	BEARING, BALL - REVERSE GEAR
60	15-30532A1		AR	SHIM ASSEMBLY, THRUST WASHER TO HOUSING (.002-3-5-10)
61	25-30529	◇	1	"O" RING, BEARING CARRIER
62	72673A1		1	BEARING CARRIER ASSEMBLY
63	31-22458		1	BEARING, ROLLER - BEARING CARRIER
64	26-66022		1	OIL SEAL, BEARING CARRIER
66	72671		1	COVER, GEAR HOUSING
67	75023		1	COLLAR, PROPELLER GUIDE
68	48-77968A1		OPT	PROPELLER ASS'Y, 8 1/2" DIA., 8" PITCH, 3 BLADES (ALUMINUM)
	48-47922A1		OPT	PROPELLER ASS'Y, 9" DIA., 9" PITCH, 2 BLADES (ALUMINUM)
	48-47926A1		OPT	PROPELLER ASS'Y, 9" DIA., 10" PITCH, 2 BLADES (ALUMINUM)
	48-47670A1		1	PROPELLER ASS'Y (SHIPPED WITH ENGINE FROM FACTORY)

● = THE ENCLOSED GEAR HOUSING INCLUDE ALL PARTS FROM REF#1-#66 AS LISTED ON GEAR HOUSING ASS

◇ = COMPONENT OF [A-27-66358A74] GASKET SET

CONTINUED ON NEXT PAGE ➡

# GEAR HOUSING ASSEMBLY, COMPLETE (PAGE 2)

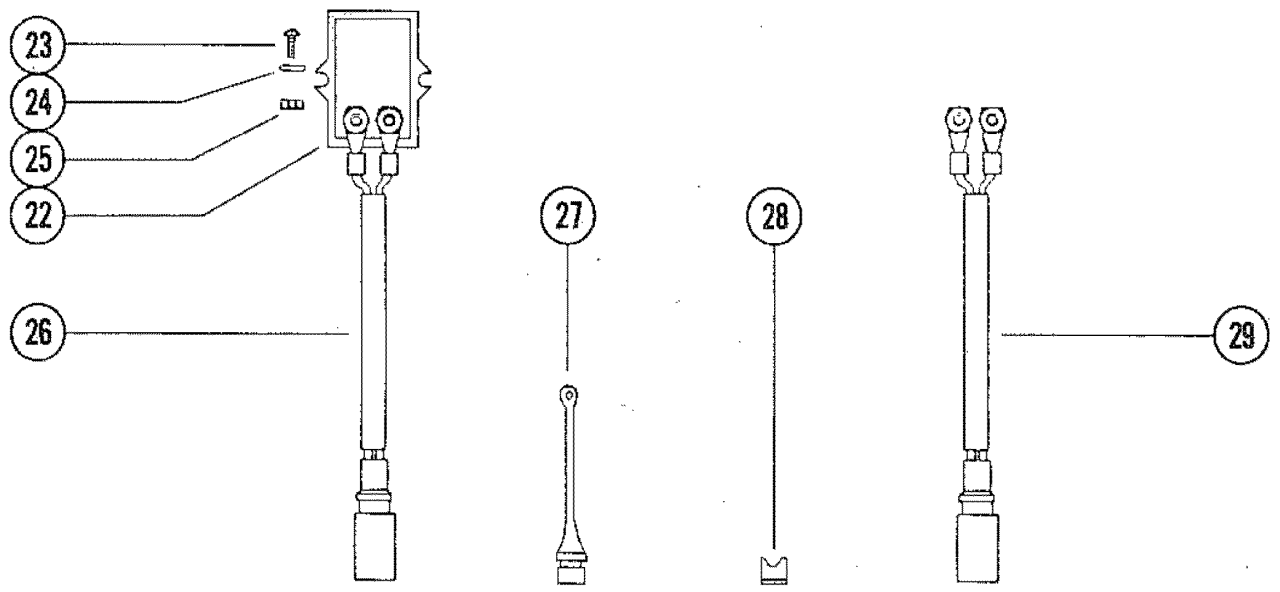
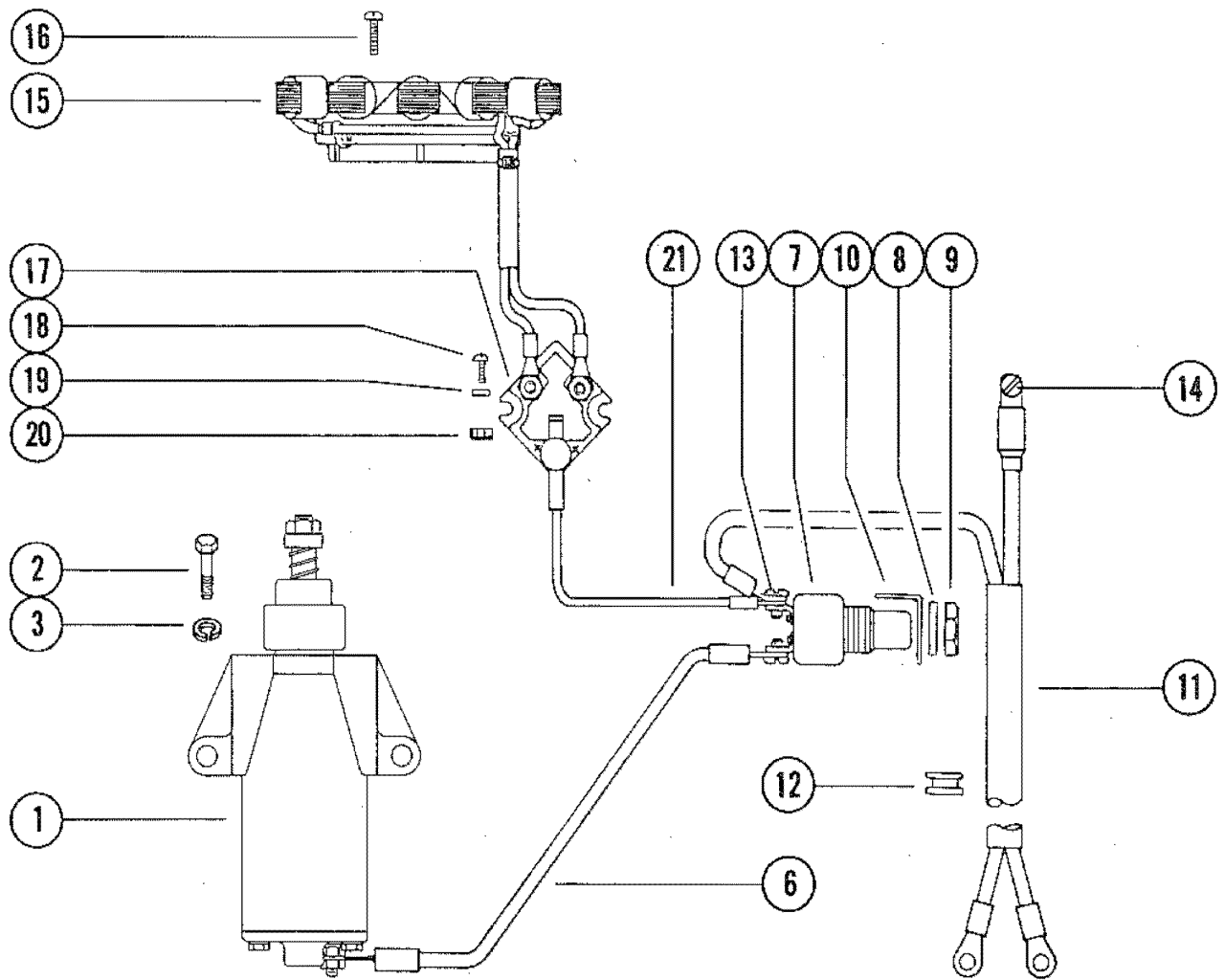


SEE **C4** FOR DRIVE SHAFT  
AND COMPONENT PARTS

## GEAR HOUSING ASSEMBLY, COMPLETE (PAGE 2)

REF. NO.	PART NO.	SYM.	QTY.	DESCRIPTION
68	48-65012A1		OPT	PROPELLER ASS'Y, 8 3/4" DIA., 7" PITCH, 3 BLADES (NYLON)
-	<b>66606</b>		<b>1</b>	<b>THRUST HUB (USED WITH NYLON PROP ONLY)</b>
69	23-65439		1	SPACER, PROPELLER SHAFT (PART OF PROPELLER SHAFT ASSEMBLY)
-	<b>12-79553</b>		<b>AR</b>	<b>WASHER, PROPELLER SHAFT</b>
70	11-64075		1	NUT, PROPELLER

# ELECTRIC COMPONENTS



# ELECTRIC COMPONENTS

REF. NO.	PART NO.	SYM.	QTY.	DESCRIPTION
1	50-78011		1	STARTER MOTOR
2	10-55511		2	SCREW, STARTER MOTOR TO CYLINDER BLOCK (1 1/4")
3	13-26993		2	LOCKWASHER, STARTER MOTOR SCREW
6	84-76741A1		1	WIRE ASSEMBLY, STARTING SWITCH (YELLOW)
7	87-73883		1	SWITCH, STARTING
8	12-30516		1	WASHER, STARTING SWITCH
9	11-74394		1	NUT, STARTING SWITCH
10	74515		1	PROTECTOR, STARTING SWITCH
11	84-73573		1	CABLE, BATTERY
12	25-74444		1	GROMMET, BATTERY CABLE
13	10-45742		1	SCREW, BATTERY CABLE ATTACHING (5/16")
14	10-20031		1	SCREW, BATTERY CABLE ATTACHING (7/8")
15	74367A8		1	LIGHTING STATOR ASSEMBLY
16	10-73696		2	SCREW, LIGHTING STATOR ATTACHING (1 5/8")
17	62351A2		1	RECTIFIER ASSEMBLY
18	10-48408		2	SCREW, RECTIFIER TO MANIFOLD COVER (1/2")
19	23-62769		1	SPACER, RECTIFIER SCREW
20	11-45076		3	NUT, RECTIFIER TERMINAL
21	84-61393A6		1	WIRE ASSEMBLY, RECTIFIER TO STARTING SWITCH (RED)
22	75076		1	VOLTAGE REGULATOR <b>BELGIUM</b>
23	10-74841		2	SCREW, VOLTAGE REGULATOR TO MANIFOLD COVER <b>BELGIUM: (1")</b>
24	23-62769		2	SPACER, VOLTAGE REFULATOR SCREW <b>BELGIUM</b>
25	11-45076		2	NUT, VOLTAGE REFULATOR TERMINAL <b>BELGIUM</b>
26	84-74725A1		2	HARNESS ASSEMBLY, VOLTAGE REGULATOR <b>BELGIUM: (BLACK/RED)</b>
27	71663		1	PLUG, HARNESS -BELGIUM
28	74361		1	PLUG, HARNESS TO BOTTOM COWL -BELGIUM
29	84-65017A4		1	HARNESS ASSEMBLY, LIGHTING (EXTERNAL) -BELGIUM
15	74367A8		1	LIGHTING STATOR ASSEMBLY -BELGIUM

# PARTS INDEX

Part Number	Description	Pg.	Ref. No.	Part Number	Description	Pg.	Ref. No.
20155	RETAINER, STARTER SPRING .....	5	24	65499--1	SEAL, STARTER HOUSING TO TOP COWL .....	5	16
20203	DISC, FRICTION .....	33	20	65552	SCREEN, CARBURETOR ..	15	11
22833	ADAPTOR, CHECK UNIT (FUEL LINE) .....	15	5	66353	COVER, ACCESS HOLE ...	29	5
23069	STEM, CHECK UNIT ADAPTOR .....	15	6	66355	COVER, IGNITION COIL ...	3	8
26179	RETAINER, SHEAVE SHAFT TO STARTER SHEAVE ..	5	39	66371	LINK, TRIGGER HOUSING TO THROTTLE LEVER ...	9	14
30188	CUP WASHER, ADAPTOR ..	15	9	66374A2	LEVER ASSEMBLY, THROTTLE CONTROL ...	19	13
30595	PLATE, RETAINER - STARTER PAWL .....	7	42	66376	HANDLE, SHIFT CONTROL (MANUAL) .....	17	1
30596	PAWL, STARTER .....	5	36	66379	SHAFT, SHIFT CONTROL ..	17	7
31334	FOLLOWER, SHIFT CAM ...	41	47	66393	SHAFT, THROTTLE .....	27	3
35558	SHAFT, SHEAVE .....	7	43	66394A1	HANDLE, THROTTLE SHAFT	27	4
36017	STOP, NEUTRAL SPEED LIMITER .....	19	8	66559	TUBE, SWIVEL BRACKET TO SADDLE .....	33	16
39474	ANCHOR, LATCH - BOTTOM COWL .....	29	7	66606	THRUST HUB .....	43	--
39601	PLATE, DETENT SPRING ..	17	12	66941	BLANKET, TOP COWL - SIDE	5	4
39778	GROMMET, CHOKE SHAFT - BOTTOM COWL .....	29	4	66942	BLANKET, TOP COWL - TOP	5	3
46895	PLATE, FACE - WATER PUMP HOUSING TO ....	39	36	68768A2	BRACKET ASSEMBLY, STEERING ARM .....	27	16
46896A1	WATER PUMP COVER ASSEMBLY .....	39	37	69205	"D" WASHER, TRIGGER LEAD CLIP .....	15	19
48003	PIVOT, STEERING HANDLE TO BRACKET .....	27	10	69346	BUMPER, COWL - REAR ...	5	9
55435	BLOCK, DRIVE SHAFT ....	31	13	69522	BLANKET, TOP COWL - FRONT .....	5	5
55860	PULLEY, STARTER CABLE .	5	18	69764	VENTURI .....	11	21
58981	CAM, SHIFT .....	41	46	70977	INSERT, WATER PUMP HOUSING .....	39	33
60850	ARM, STEERING HANDLE ..	27	7	71057	LINK ROD, REVERSE LOCK	31	21
60850A6	STEERING HANDLE ASSEMBLY, COMPLETE .	27	-	71419	ROD, REVERSE LOCK TO SWIVEL BRACKET .....	33	6
60854	GRIP, HANDLE .....	27	1	71420	HANDLE, CARRYING .....	35	10
60857A2	UNIVERSAL JOINT ASSEMBLY .....	27	13	71479	SLEEVE, THRUST - REVERSE GEAR .....	41	58
60885	HOUSING, THROTTLE CONTROL .....	19	2	71490	COVER, LOWER MOUNT ..	31	19
61007	RETAINER, ROD - REVERSE LOCK .....	33	9	71502	COVER, FRONT .....	5	7
61990	STA-STRAP .....	9	19	71658A1	SHAFT ASSEMBLY, SHIFT (LONG SHAFT) .....	37	14
62251	CAP, HANDLE .....	27	2	71659A1	SHAFT ASSEMBLY, SHIFT (SHORT SHAFT) .....	37	14
62351A2	RECTIFIER ASSEMBLY ....	45	17	71660	SHIFT SHAFT .....	17	16
63308A1	FOLLOWER ASSEMBLY, NEUTRAL SPEED LIMITER	19	4	71663	PLUG, HARNESS -BELGIUM	45	27
63310A1	LEVER ASSEMBLY, TILT STOP .....	33	24	72007	RETAINER, REVERSE LOCK CAM .....	31	24
63551	GUIDE, SPRING .....	33	12	72465	CABLE, CHOKE .....	15	15
63553	LEVER, CONTROL - TROLL BRACKET .....	33	14	72471	COVER, TRIM - DRIVE SHAFT HOUSING .....	31	5
63559	BRACKET, TROLL .....	33	10	72671	COVER, GEAR HOUSING ..	41	66
63628	LEVER, REVERSE LOCK ...	33	8	72673A1	BEARING CARRIER ASSEMBLY .....	41	62
63646	LEVER, THROTTLE .....	11	37	72794	STOP, REVERSE LOCK ....	33	29
63980	KNOB, CHOKE .....	15	13	72845A1	PLATE ASSEMBLY, CLAMP - CO-PILOT .....	33	21
64076	BUMPER, THRUST - SADDLE .....	31	16	74159A3	THUMB SCREW ASSEMBLY	35	3
65216	CAM, REVERSE LOCK ....	31	23	74250	TILT TUBE, CLAMP TO SWIVEL BRACKET .....	35	6
65479	COVER, ACCESS HOLE ...	29	6	74350	LEVER, SHIFT CONTROL (REMOTE) .....	17	5
65489--3	SEAL, TOP COWL (16 1/2") .	5	2	74351	LEVER, FOLLOWER .....	5	31



# PARTS INDEX

Part Number	Description	Pg.	Ref. No.	Part Number	Description	Pg.	Ref. No.
74352	HANDLE, SHIFT CONTROL (ELECTRIC) . . . . .	17	1	10-26801	SCREW, MAIN BEARING LOCKING (5/8") . . . . .	21	15
74353	LEVER, LOCK . . . . .	5	30	10-27304	SCREW, REED STOP MOUNTING . . . . .	23	10
74354	RETAINER, WIRING HARNESS (BOTTOM COWL) . . . . .	29	15	10-28634	SCREW, FLUSH - DDRIVE SHAFT HOUSING . . . . .	31	9
74359	SHAFT, INTERLOCK . . . . .	5	29	10-28634	SCREW, GREASE FILLER HOLE . . . . .	37	10
74360	PLUG, BOTTOM COWL (MANUAL) . . . . .	29	3	10-28642	SCREW, WATER INTAKE SCREEN TO GEAR HOUSING . . . . .	37	9
74361	PLUG, HARNESS TO BOTTOM COWL -BELGIUM	45	28	10-28653	SCREW, GREASE VENT HOLE . . . . .	37	13
74367A8	LIGHTING STATOR ASSEMBLY . . . . .	45	15	10-28668	SCREW . . . . .	21	36
74367A8	LIGHTING STATOR ASSEMBLY -BELGIUM . . . . .	45	15	10-28710	SCREW . . . . .	19	9
74515	PROTECTOR, STARTING SWITCH . . . . .	45	10	10-28789	SCREW, CABLE PULLEY TO STARTER HOUSING . . . . .	5	19
74919	COVER, EXHAUST MANIFOLD . . . . .	21	35	10-30376	SCREW, PINION GEAR TO DRIVE SHAFT . . . . .	37	22
75023	COLLAR, PROPELLER GUIDE . . . . .	41	67	10-32228	SCREW, LATCH TO BOTTOM COWL . . . . .	29	21
75076	VOLTAGE REGULATOR . . . . .	45	22	10-35400	SCREW, STATOR TO END CAP (3/8") . . . . .	9	3
77334	CO-PILOT DISC . . . . .	33	17	10-36154	SCREW, CLAMP PLATE ADJUSTING . . . . .	33	22
77754	MOUNT, LOWER AND UPPER . . . . .	31	17	10-37923	SCREW, ADAPTOR TO BOTTOM COWL (1 1/4") . . . . .	15	10
77859	INSERT, ROPE GUIDE - STARTER HOUSING . . . . .	5	15	10-38111	SCREW, BOTTOM COWL TO DRIVE SHAFT HOUSING . . . . .	29	12
77860	RING, RETAINING - ROPE GUIDE INSERT . . . . .	5	15A	10-39149	SCREW, SHIFT SHAFT BUSHING . . . . .	37	19
77997A1	RETAINER ASSEMBLY . . . . .	7	46	10-39154	SCREW, CONNECTING ROD	25	2
77998	HANDLE, STARTER CABLE . . . . .	7	45	10-45218	SCREW, GROUND LEAD TO CYLINDER BLOCK . . . . .	9	20
78033	COVER, INTAKE . . . . .	21	25	10-45742	SCREW, BATTERY CABLE ATTACHING (5/16") . . . . .	45	13
78034	PLATE, BAFFLE - EXHAUST MANIFOLD . . . . .	21	33	10-48408	SCREW, RECTIFIER TO MANIFOLD COVER (1/2") . . . . .	45	18
78777A1	STARTER HOUSING ASSEMBLY . . . . .	5	14	10-48408	SCREW, RETAINER TO BOTTOM COWL . . . . .	29	16
78808	LATCH, BODY - BOTTOM COWL . . . . .	29	20	10-54467	SCREW, ADJ. - THROTTLE CONTROL (1 1/4") . . . . .	21	5
78809	LATCH, ARM - BOTTOM COWL . . . . .	29	18	10-55511	SCREW, STARTER MOTOR TO CYLINDER BLOCK . . . . .	45	2
79300	MOLDING, BOTTOM COWL . . . . .	29	2	10-56781	SCREW, MAIN BEARING CLAMPING . . . . .	23	6
10-20031	SCREW, BATTERY CABLE ATTACHING (7/8") . . . . .	45	14	10-62233	SCREW . . . . .	27	17
10-20646	SCREW, TERMINAL BLOCK TO STATOR (5/8") . . . . .	9	8	10-63311	SCREW, TILT STOP LEVER	33	25
10-20653	SCREW, LIMITER FOLLOWER TO BOTTOM COWL . . . . .	19	5	10-64074	SCREW, STEERING HANDLE TO ARM BRACKET (5/8") . . . . .	27	12
10-20847	SCREW, THROTTLE LEGER ATTACHING . . . . .	11	38	10-64652	SCREW, TRIM COVER TO BOTTOM COWL (1/2") . . . . .	31	6
10-22483	SCREW, LATCH ANCHOR TO BOTTOM COWL (1 1/8") . . . . .	29	8	10-65414	SCREW, CAM RETAINER TO DRIVE SHAFT HOUSING . . . . .	31	22
10-23035	SCREW, CHOKE SHUTTER TO CHOKE SHAFT . . . . .	11	20	10-66707	SCREW, STATOR TO END CAP (7/8") . . . . .	9	2
10-23178	SCREW, PLUG - IDLE TUBE	11	41	10-67982	BOLT, CLAMP BRACKET TO BOAT . . . . .	35	16
10-25764	SCREW, PLATE AND SPRING TO ADAPTOR PLATE . . . . .	17	13	10-69022	SCREW, SCREEN TO CARBURETOR . . . . .	15	12

# PARTS INDEX

Part Number	Description	Pg.	Ref. No.	Part Number	Description	Pg.	Ref. No.
10-69022	SCREW, SWITCH ATTACHING (1/2")	9	17	11-45076	NUT, RECTIFIER TERMINAL	45	20
10-71056	SCREW, REVERSE STOP TO SWIVEL BRACKET	33	30	11-45076	NUT, VOLTAGE REFULATOR TERMINAL	45	25
10-72074	SCREW, COIL COVER TO REAR SUPPORT BRACKET	3	9	11-46438	NUT, TERMINAL BLOCK SCREW	9	9
10-72169	SCREW, LOWER MOUNT COVER TO MOUNT (7/16")	31	20	11-46887	NUT, CARBURETOR ATTACHING	15	21
10-7262	SCREW, STARTER HOUSING TO CRANKCASE (1")	5	17	11-46887	NUT, COWL CATCH TO TOP COWL	5	13
10-73280	SCREW, CRANKCASE TO CYLINDER BLOCK (1 1/2")	21	13	11-56041	NUT, TILT TUBE FASTENING	35	9
10-73643	SCREW	19	3	11-56374	NUT, CLAMP BRACKET SCREW	35	18
10-73696	SCREW, LIGHTING STATOR ATTACHING (1 5/8")	45	16	11-64075	NUT, PROPELLER	43	70
10-74841	SCREW, VOLTAGE REGULATOR TO MANIFOLD COVER	45	23	11-65110	NUT, PUSH - LINK TO TRIGGER HOUSING	9	15
10-76611	SCREW, UPPER BEARING HOUSING (1/2")	21	23	11-65517	NUT, SPEED - FRONT COVER TO COWL	5	8
10-76621	SCREW, CRANKCASE TO CYLINDER BLOCK	21	12	11-68219	NUT, THROTTLE CONTROL ADJUSTING SCREW	21	6
10-76630	SCREW, CYL. BLOCK COVER TO CYLINDER BLOCK	21	30	11-69844	NUT, STOP SWITCH	29	25
10-76804	SCREW, THUMB SCREW	35	4	11-73710	NUT, CHOKE CABLE TO BOTTOM COWL	15	14
10-77190A3	THUMB SCREW ASSEMBLY	35	3	11-74394	NUT, STARTING SWITCH	45	9
10-78038	SCREW, CO-PILOT TO SADDLE	33	18	12-20260	WASHER, GREASE FILLER HOLE SCREW	37	11
10-78038	SCREW, STEERING ARM BRACKET TO SADDLE	27	19	12-20260	WASHER, SEALING - FLUSH SCREW	31	10
11-20061	NUT, CONNECTING ROD SCREW	25	4	12-20262	WASHER, GREASE VENT HOLE SCREW	37	12
11-20110	NUT, COIL COVER SCREW	3	10	12-20533	WASHER, WATER PUMP HOUSING AND COVER STUDS	39	41
11-20166	NUT, SHEAVE SHAFT (LEFT HAND THREAD)	5	23	12-22887	WASHER, CABLE PULLEY SCREW	5	20
11-20361	NUT, SECTOR GEAR TO SHIFT CONTROL SHAFT	17	10	12-24676	WASHER, NEUTRAL SPEED LIMITER STOP SCREW	19	10
11-20696	NUT, FLYWHEEL	3	4	12-29245	WASHER, SHIFT CONTROL SHAFT	17	2
11-24652	NUT	31	12	12-29245	WASHER, SHIFT CONTROL SHAFT	17	9
11-24652	NUT	31	12	12-30516	WASHER, STARTING SWITCH	45	8
11-29598	NUT, CLAMP BRACKET STUD	35	13	12-35462	WASHER, CLAMP PLATE ADJUSTING SCREW	33	23
11-34863	NUT, DRIVE SHAFT HOUSING STUD	31	3	12-35559	WASHER, SHEAVE SHAFT RETAINER	5	40
11-35814	NUT, GEAR HOUSING TO DRIVE SHAFT HOUSING STUD	31	4	12-36245	WASHER, FLYWHEEL NUT	3	3
11-35888	NUT, TILT STOP LEVER SCREW	33	27	12-36554	WASHER, NYLON - WATER OUTLET TUBE	29	10
11-35888	NUT, WATER PUMP HOUSING AND COVER STUDS	39	42	12-36554	WASHER, NYLON - WATER PUMP COVER	39	39
11-39305	NUT, SHIFT HANDLE TO SHIFT CONTROL SHAFT	17	3	12-36555	WASHER, NYLON - INTAKE TUBE SEAL	37	7
11-4506	NUT, IGNITION COIL TERMINAL	3	7	12-38753	WASHER, SPEED LIMITER FOLLOWER SCREW	19	6
11-45076	NUT, CHOKE CABLE STUD	15	20	12-56681	WASHER, CHOKE CABLE STUD	15	17
				12-56681	WASHER, SWITCH BOX ATTACHING SCREW	9	18

# PARTS INDEX

Part Number	Description	Pg.	Ref. No.	Part Number	Description	Pg.	Ref. No.
12-62252	WASHER, THROTTLE HANDLE TO STEERING ARM	27	6	15-48002015	SHIM, STEERING HANDLE PIVOT TO BRACKET (.015)	27	11
12-65567	WASHER, TOP COWL CATCH (LOWER)	5	11	15-64653A1	SHIM ASSEMBLY, GEAR AND SHAFT (LOWER)	19	12
12-65967	WASHER, NEEDLE BEARING RETAINING	25	5	16-58136	STUD, WATER PUMP HOUSING TO GEAR HOUSING	37	3
12-67983	WASHER, CLAMP BRACKET SCREW	35	17	16-58138	STUD, GEAR HOUSING TO DRIVE SHAFT HOUSING	37	2
12-71055	WASHER, REVERSE STOP SCREW	33	32	16-66357	STUD, CARBURETOR MOUNTING	21	3
12-71421	WASHER, TILT TUBE - CLAMP TO SWIVEL BRACKET	35	5	16-66373	STUD, DRIVE SHAFT HOUSING TO GEAR HOUSING	31	2
12-73719	WASHER, THUMB SCREW	35	4A	16-69036	STUD, CHOKE CABLE TO CARBURETOR	15	16
12-79553	WASHER, PROPELLER SHAFT	43	--	16-71417	STUD, CLAMP BRACKET	35	11
13-20160	WASHER, WAVE - RETAINER TENSION	5	41	16-72809	STUD, BLOCK AND CRANKCASE	21	2
13-26992	LOCKWASHER, BOTTOM COWL SCREW	29	13	17-20032	PIN, DOWEL - LOCATING	37	5
13-26992	LOCKWASHER, CLAMP BRACKET STUD	35	12	17-20032	PIN, DOWEL - MAIN BEARING	23	5
13-26992	LOCKWASHER, LATCH ANCHOR SCREW	29	9	17-20032	PIN, DOWEL - MAIN BEARING TO BLOCK	23	7
13-26992	LOCKWASHER, REVERSE STOP SCREW	33	31	17-22896	PIN, RETAINER - STARTER CABLE	5	28
13-26993	LOCKWASHER, STARTER MOTOR SCREW	45	3	17-25319	ROLL PIN, SPRING GUIDE	33	13
13-26996	LOCKWASHER, IGNITION COIL TERMINAL	3	6	17-25905	PIN, SHIFT LEVER TO SHIFT CONTROL SHAFT	17	6
13-31030	WASHER, WAVE - LEVER ANCHOR SCREW	33	26	17-27088	PIN, BALL GEAR GO THROTTLE SHAFT	27	9
13-36206	WASHER, WAVE - STARTER PAWL	5	35	17-30535	PIN, CROSS - RATCHET TO PROPELLER SHAFT	41	55
13-63631	WASHER, WAVE - TROLL BRACKET LEVER	33	15	17-38489	ROLL PIN, INTERLOCK SHAFT	5	32
13-69845	LOCKWASHER, STOP SWITCH	29	24	17-46152	PIN, STEERING HANDLE	27	5
14-20091	TAB WASHER, MAIN BEARING LOCKING SCREW	21	16	17-46912	PIN, DOWEL - CRANKCASE TO CYLINDER BLOCK	21	4
14-20165	TAB WASHER, SHEAVE SHAFF NUT	5	22	17-65855	PIN, DOWEL - REED LOCATING	23	5
14-30377	TAB WASHER, PINION GEAR TO DRIVE SHAFT SCREW	37	21	17-71418A2	TILT LOCK PIN ASSEMBLY	35	15
14-78102	TAB WASHER, UPPER BEARING HOUSING SCREW	21	23A	17-72856	PIN, TOP COWL CATCH	5	10
15-30522A1	SHIM ASSEMBLY, BALL BEARING TO HOUSING	41	49	17-76207	PIN, ROLL	19	14
15-30527A1	SHIM ASSEMBLY, BALL BEARING TO GEAR HOUSING	37	24	17-77564	PIN, BALL GEAR TO UNIVERSAL JOINT	27	15
15-30527A1	SHIM ASSEMBLY, BALL BEARING TO GEAR HOUSING	37	27	18-45882	COTTER PIN, REVERSE LOCK LEVER TO ROD	33	7
15-30532A1	SHIM ASSEMBLY, THRUST WASHER TO HOUSING	41	60	19-39333	PLUG, TILT TUBE	35	7
				21-77207	CHECK VALVE, BILLED - CRANKCASE (BOTTOM)	21	10
				22-25885	ELBOW, TEEL TALE - CYLINDER BLOCK	21	11
				22-52644	PLUG, CYLINDER BLOCK COVER	21	28
				22-65857	FITTING, BLEED DRAIN - CYLINDER BLOCK (TOP)	21	7
				22-73705	FITTING, FUEL LINE TO ADAPTOR	15	4
				22-74036	FITTING, GREASE - SWIVEL BRACKET	33	2

# PARTS INDEX

Part Number	Description	Pg.	Ref. No.	Part Number	Description	Pg.	Ref. No.
23-26841	BUSHING, NYLON - REVERSE LOCK LEVER ROD .....	33	5	25-74444	GROMMET, BATTERY CABLE .....	45	12
23-26856	BUSHING, NYLON - INTERLOCK SHAFT .....	5	33	26-30696	OIL SEAL, SHIFT SHAFT BUSHING .....	37	18
23-27132	BUSHING, NYLON - UPPER SHIFT SHAFT .....	17	14	26-30900	OIL SEAL, WATER PUMP HOUSING .....	39	30
23-28912	BUSHING, STARTER SPRING GUIDE .....	5	26	26-30913	OIL SEAL, WATER PUMP COVER .....	39	40
23-28919	BUSHING, NYLON - SHEAVE SHAFT SPACER .....	5	37	26-33613	SEAL, RUBBER - WATER INTAKE TUBE .....	37	6
23-30676A1	BUSHING ASSEMBLY, SHIFT SHAFT .....	37	16	26-33613	SEAL, WATER INTAKE TUBE	39	31
23-30977	SPACER, CABLE PULLEY ..	5	21	26-36556	SEAL, RUBBER - WATER OUTLET TUBE .....	29	11
23-31792	SLEEVE, GUIDE - WATER INLET TUBE .....	39	44	26-36558	SEAL, WATER PUMP COVER	39	38
23-61005	SPACER, SHEAVE SHAFT ..	5	38	26-66022	OIL SEAL, BEARING CARRIER .....	41	64
23-62769	SPACER, RECTIFIER SCREW .....	45	19	26-66301	OIL SEAL, CRANKCASE (LOWER) .....	21	38
23-62769	SPACER, VOLTAGE REFULATOR SCREW ...	45	24	26-66301	OIL SEAL, UPPER BEARING HOUSING .....	21	21
23-63320	BUSHING, SPEED LIMITER FOLLOWER SCREW ....	19	7	26-72793	SEAL, CRANKSHAFT .....	23	3
23-64028	BUSHING, SWIVEL BRACKET .....	33	4	27-39050	GASKET .....	31	11
23-65439	SPACER, PROPELLER SHAFT .....	43	69	27-39050	GASKET, BOTTOM COWL TO DRIVE SHAFT HOUSING .....	29	22
23-66375	BUSHING, NYLON - SHIFT CONTROL SHAFT .....	17	4	27-45748	GASKET, POWERHEAD TO ADAPTOR PLATE .....	29	14
24-23067	SPRING, ADAPTOR STEM ..	15	8	27-63309	GASKET, CARBURETOR FLANGE .....	13	44
24-29340A1	SPRING, STARTER REWIND	5	25	27-78032	GASKET, INTAKE COVER ..	21	24
24-39042	SPRING, NEUTRAL SPEED LIMITER FOLLOWER ....	19	6A	27-78035	GASKET, BAFFLE PLATE ..	21	34
24-39627	SPRING, DETENT - SHIFT CONTROL LEVER .....	17	11	27-78035	GASKET, CYLINDER BLOCK TO BAFFLE PLATE .....	21	32
24-62143	SPRING, TILT LOCK PIN ...	35	14	27-78087	GASKET, CYLINDER BLOCK COVER .....	21	29
24-63630	SPRING, EXTENSION - TROLL BRACKET .....	33	11	28-50094	KEY, FLYWHEEL DRIVE ...	3	2
24-72847	SPRING, DETENT - STEERING HANDLE ....	27	18	28-56655	KEY, IMPELLER DRIVE ....	39	34
24-74347	SPRING, TORSION - INTERLOCK SHAFT .....	5	34	29-26815	BEARING, NEEDLE - CRANKPIN .....	25	3
24-76298	SPRING, COMPRESSION - CAM FOLLOWER .....	41	48	29-31505	BEARING, NEEDLE - PISTON PIN .....	25	6
24-78810	SPRING, CABLE TO ARM LATCH .....	29	17	29-52168	PIN, ARM LOCATING .....	29	19
24-79351	SPRING, COMPRESSION - COWL CATCH .....	5	12	30-20861	BEARING, BALL - CRANKCASE (LOWER) ..	21	37
25-20415	"O" RING, ADAPTOR STEM ..	15	7	30-20861	BEARING, BALL - UPPER BEARING HOUSING ....	21	19
25-20863	"O" RING, UPPER BEARING HOUSING .....	21	22	30-21889	BEARING, BALL - FORWARD GEAR .....	41	50
25-26802	"O" RING, SHIFT SHAFT BUSHING .....	37	17	30-21889	BEARING, BALL - REVERSE GEAR .....	41	59
25-29439	"O" RING, WATER PUMP HOUSING .....	37	29	30-70944	BEARING, BALL - DRIVE SHAFT .....	37	25
25-30526	RING, RUBBER - CENTRIFUGAL SLINGER ..	39	43	31-22458	BEARING, ROLLER - BEARING CARRIER .....	41	63
25-30529	"O" RING, BEARING CARRIER .....	41	61	31-22458	BEARING, ROLLER - FORWARD GEAR .....	41	52
				31-22756	BEARING, ROLLER - DRIVE SHAFT .....	37	4
				31-31410	BEARING, ROLLER - UPPER BEARING HOUSING ....	21	20

# PARTS INDEX

Part Number	Description	Pg.	Ref. No.	Part Number	Description	Pg.	Ref. No.
32-34293	TUBE, WATER INTAKE . . . .	39	32	53-30523	RING, RETAINING - BALL BEARING TO DRIVE SHAFT . . . . .	37	26
32-34395A1	HOSE, TELL TALE (9 1/2") . .	31	7				
32-39061	TUBE, WATER OUTLET . . . .	31	8	53-32449	RING, RETAINING - CROSS PIN . . . . .	41	54
32-39062	TUBE, WATER OUTLET . . . .	31	8	54-23568	CLIP, TRIGGER LEADS . . . .	15	18
32-54936	HOSE, BLEED DRAIN (10 1/2") . . . . .	21	8	54-30954	CLIP, SAFETY CHAIN - TILT TUBE . . . . .	35	8
32-70432	FUEL LINE, ADAPTOR TO CARBURETOR . . . . .	15	2	54-59538	CLIP, COIL RETAINING . . . .	9	5
33-58194	SPARK PLUG (AC#V40FFK)	3	14	54-65927	CLIP, COIL RETAINING . . . .	9	6
34-20053	REED STOP, MAIN BEARING REED VALVES . . . . .	23	9	54-68424	CLAMP, FUEL LINE ATTACHING . . . . .	15	3
34-31942A1	REED SET, MATCHED - MAIN BEARING . . . . .	23	8	84-61393A6	WIRE ASSEMBLY, RECTIFIER TO STARTING SWITCH . . . . .	45	21
35-33425	SCREEN, WATER INTAKE . .	37	8	84-63212A2	LEAD ASSEMBLY, HIGH TENSION . . . . .	3	11
39-21665A12	RING, PISTON . . . . .	25	9	84-65017A4	HARNESS ASSEMBLY, LIGHTING (EXTERNAL) -BELGIUM . . . . .	45	29
40-21666	LOCK RING, PISTON PIN . .	25	8	84-73573	CABLE, BATTERY . . . . .	45	11
43-48577	FORWARD GEAR . . . . .	41	51	84-74725A1	HARNESS ASSEMBLY, VOLTAGE REGULATOR . .	45	26
43-48579	GEAR, PINION . . . . .	37	20	84-76741A1	WIRE ASSEMBLY, STARTING SWITCH (YELLOW) . . . . .	45	6
43-60653	GEAR, SECTOR - SHIFT SHAFT . . . . .	17	15	85-71006A1	PROTECTOR ASSEMBLY, SPARK PLUG . . . . .	3	13
43-60852	GEAR, BALL - THROTTLE SHAFT . . . . .	27	8	86-74474	TERMINAL BLOCK, STATOR . . . .	9	7
43-60852	GEAR, BALL - UNIVERSAL JOINT . . . . .	27	14	87-69508A1	STOP SWITCH ASSEMBLY . . . .	29	23
43-60856	GEAR, HORIZONTAL - THROTTLE CONTROL SOCKET . . . . .	19	1	87-73883	SWITCH, STARTING . . . . .	45	7
43-60858	GEAR, THROTTLE CONTROL . . . . .	19	11	251-6105A1	FLYWHEEL ASSEMBLY (ELECTRIC) . . . . .	3	1
43-63316	REVERSE GEAR . . . . .	41	57	251-6105A3	FLYWHEEL ASSEMBLY (BELGIUM) . . . . .	3	1
43-66377	GEAR, SECTOR - SHIFT CONTROL SHAFT (HORIZONTAL) . . . . .	17	8	251-6194A1	FLYWHEEL ASSEMBLY (MANUAL) . . . . .	3	1
44-75667A2	SHAFT ASSEMBLY, PROPELLER . . . . .	41	56	332-2854	NIPPLE, IGNITION COIL . . . .	3	12
45-74850	DRIVE SHAFT (LONG SHAFT) . . . . .	37	23	338-5286A6	TRIGGER HOUSING ASSEMBLY . . . . .	9	11
45-74851	DRIVE SHAFT (SHORT SHAFT) . . . . .	37	23	339-5209A3	STATOR ASSEMBLY . . . . .	9	1
46-70941A1	WATER PUMP HOUSING ASSEMBLY . . . . .	37	28	339-5287A4	SWITCH BOX . . . . .	9	16
47-65957	IMPELLER, WATER PUMP . .	39	35	339-5748A	COIL ASSEMBLY, IGNITION . . . .	3	5
48-47670A1	PROPELLER ASS'Y . . . . .	41	68	339-6119A1	COIL ASSEMBLY (5 1/2" AND 6 3/8" LEADS) . . . . .	9	4
48-47922A1	PROPELLER ASS'Y, 9" DIA., 9" PITCH, 2 BLADES . . . .	41	68	339-6120A1	COIL ASSEMBLY (1 3/4" AND 3 1/2" LEADS) . . . . .	9	4
48-47926A1	PROPELLER ASS'Y, 9" DIA., 10" PITCH, 2 BLADES . . .	41	68	421-5275	CRANKSHAFT . . . . .	23	1
48-65012A1	PROPELLER ASS'Y, 8 3/4" DIA., 7" PITCH, 3 BLADES . . . .	43	68	532-1938A6	MAIN BEARING ASSEMBLY (VALVE TYPE) . . . . .	23	4
48-77968A1	PROPELLER ASS'Y, 8 1/2" DIA., 8" PITCH, 3 BLADES . . . .	41	68	608-4246A1	CONNECTING ROD ASSEMBLY . . . . .	25	1
50-61575A1	STARTER CABLE ASSEMBLY . . . . .	7	44	719-3374A2	PISTON AND PISTON PIN ASSEMBLY . . . . .	25	7
50-74346A1	STARTER SHEAVE ASSEMBLY . . . . .	5	27	837-6542A5	CYLINDER BLOCK AND CRANKCASE ASS'Y . . . . .	21	1
50-78011	STARTER MOTOR . . . . .	45	1	1019-5314A1	COVER ASSEMBLY, CYLINDER BLOCK . . . . .	21	27
52-63314	RATCHET, SLIDING CLUTCH . . . . .	41	53	1164-6413A1	BEARING HOUSING ASSEMBLY, UPPER . . . . .	21	18
53-22899	RING, RETAINING - SHIFT SHAFT . . . . .	37	15				

# PARTS INDEX

Part Number	Description	Pg.	Ref. No.	Part Number	Description	Pg.	Ref. No.
1364-6649	CARBURETOR ASSEMBLY .	11	1	1630-7360A13	GEAR HOUSING ASS'Y,		
1364-6649	CARBURETOR ASSEMBLY,				COMP.(LONG SHAFT) . . .	37	-
	COMPLETE . . . . .	15	1	1630-7360A13	GEAR HOUSING ASS'Y-		
1399-1765	JET, MAIN FUEL (.045) . . . .	11	15		COMP.(LONG SHAFT) . . .	41	-
1399-4236	COVER ASSEMBLY,			2159-6681A2	COWL, BOTTOM . . . . .	29	1
	STRAINER (INLET) . . . . .	11	31	2160-6108A6	TOP COWL ASSEMBLY . . . .	5	1
1399-5126	FLOAT . . . . .	11	7				
1399-5127	FUEL BOWL . . . . .	11	9				
1399-5128	SCREW, FUEL BOWL TO						
	CARBURETOR . . . . .	11	11				
1399-5129	BODY, FUEL PUMP . . . . .	11	24				
1399-5131	BODY, STRAINER . . . . .	11	27				
1399-5132	SCREW, STRAINER BODY						
	TO CARBURETOR . . . . .	11	28				
1399-5133	THROTTLE SHAFT . . . . .	11	36				
1399-5135	GASKET SET . . . . .	13	--				
1399-5137	DIAPHRAGM AND GASKET						
	KIT . . . . .	13	--				
1399-5758	SCREEN, STRAINER . . . . .	11	29				
1399-5759	THROTTLE SHUTTER . . . . .	11	42				
1399-5827	CHOKE SHAFT . . . . .	11	34				
1399-6141	INLET NEEDLE AND SPRING						
	REPAIR PARTS KIT . . . . .	13	--				
1399-7274	CHOKE SHUTTER . . . . .	11	19				
1467-5571A2	CLAMP BRACKET						
	ASSEMBLY (STARBOARD)	35	2				
1467-5571A3	CLAMP BRACKET						
	ASSEMBLY (STARBOARD)	35	2				
1468-5570A2	CLAMP BRACKET						
	ASSEMBLY (PORT) . . . . .	35	1				
1468-5570A3	CLAMP BRACKET						
	ASSEMBLY (PORT) . . . . .	35	1				
1471-6578A1	SWIVEL BRACKET						
	ASSEMBLY . . . . .	33	1				
1556-5945A2	DRIVE SHAFT HOUSING						
	ASSEMBLY (SHORT						
	SHAFT) . . . . .	31	1				
1558-5946A3	DRIVE SHAFT HOUSING						
	ASSEMBLY (LONG						
	SHAFT) . . . . .	31	1				
1559-6678A1	SADDLE ASSEMBLY . . . . .	31	15				
1630-5908A5	GEAR HOUSING ASS'Y . . . .	37	1				
1630-5908A5	GEAR HOUSING ASS'Y -						
	NOT MACHINED FOR						
	ANODE KIT . . . . .	41	1				
1630-5908A6	GEAR HOUSING ASS'Y,						
	COMP. (SHORT SHAFT) .	37	-				
1630-5908A6	GEAR HOUSING ASS'Y-						
	COMP.(SHORT SHAFT) ..	41	-				
1630-5908A7	GEAR HOUSING ASS'Y,						
	COMP. (LONG SHAFT) ..	37	-				
1630-5908A7	GEAR HOUSING ASS'Y-						
	COMP.(LONG SHAFT) . . .	41	-				
1630-7360A11	GEAR HOUSING ASS'Y . . . .	37	1				
1630-7360A11	GEAR HOUSING ASS'Y -						
	MACHINED FOR ANODE						
	KIT . . . . .	41	1				
1630-7360A12	GEAR HOUSING ASS'Y ,						
	COMP.(SHORT SHAFT) ..	37	-				