



PARTS CATALOG

MERC 115

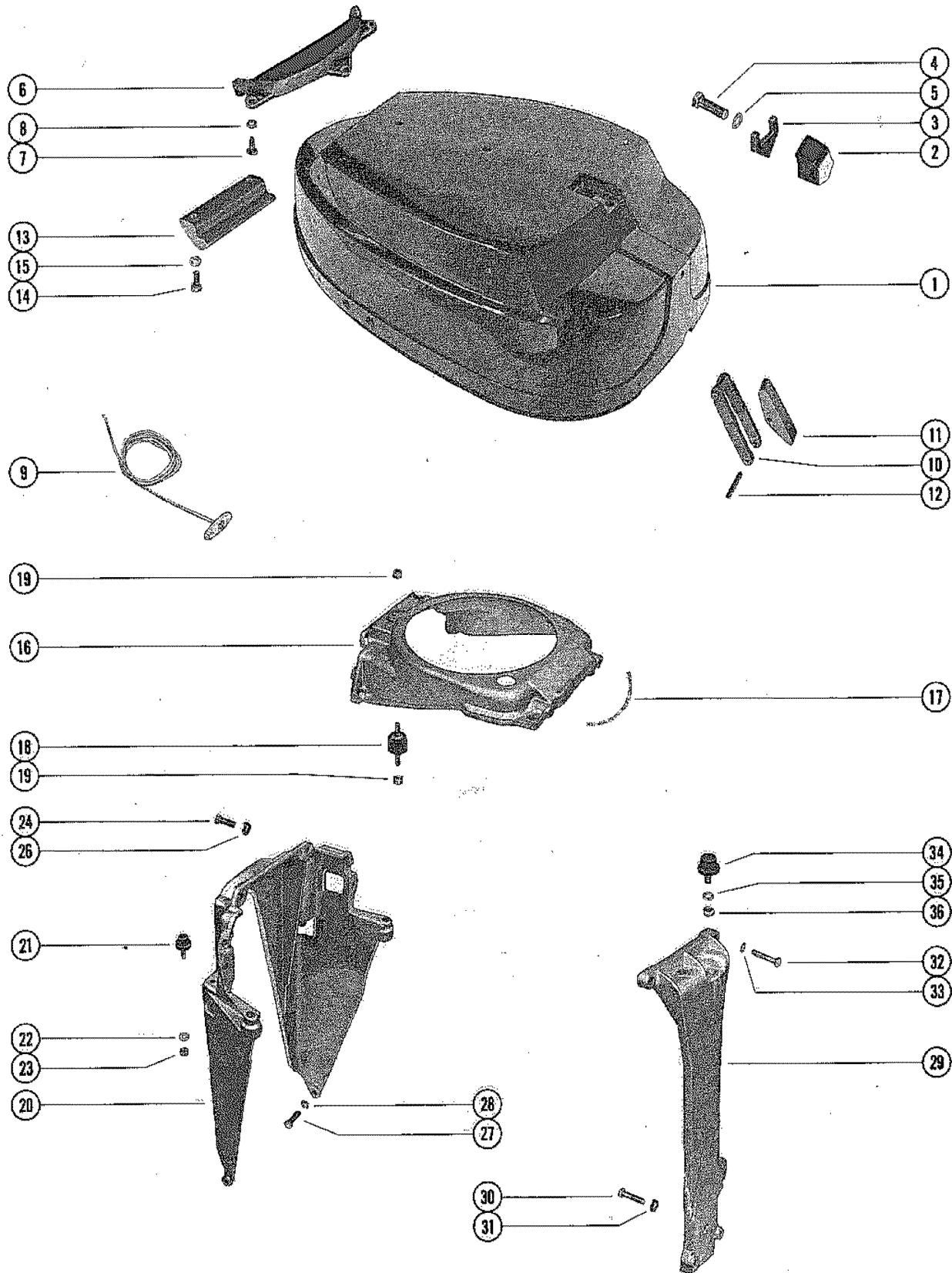
SERIAL NUMBER

1150, 115	USA 4855153 THRU 5314655
1150, 115	CAN 7112248 THRU 7131212
1150, 115	AUS 8051950 THRU 8061119

MISCELLANEOUS PARTS/ACCESSORIES

REF. NO.	PART NO.	SYM.	QTY.	DESCRIPTION
-	90-79182		0	MERC 115 PARTS LIST
-	27-60476A75		0	GASKET SET
-	37-78597A78		0	DECAL SET - SERIAL GROUP #3
-	37-86434A79		0	DECAL SET - SERIAL GROUP #4

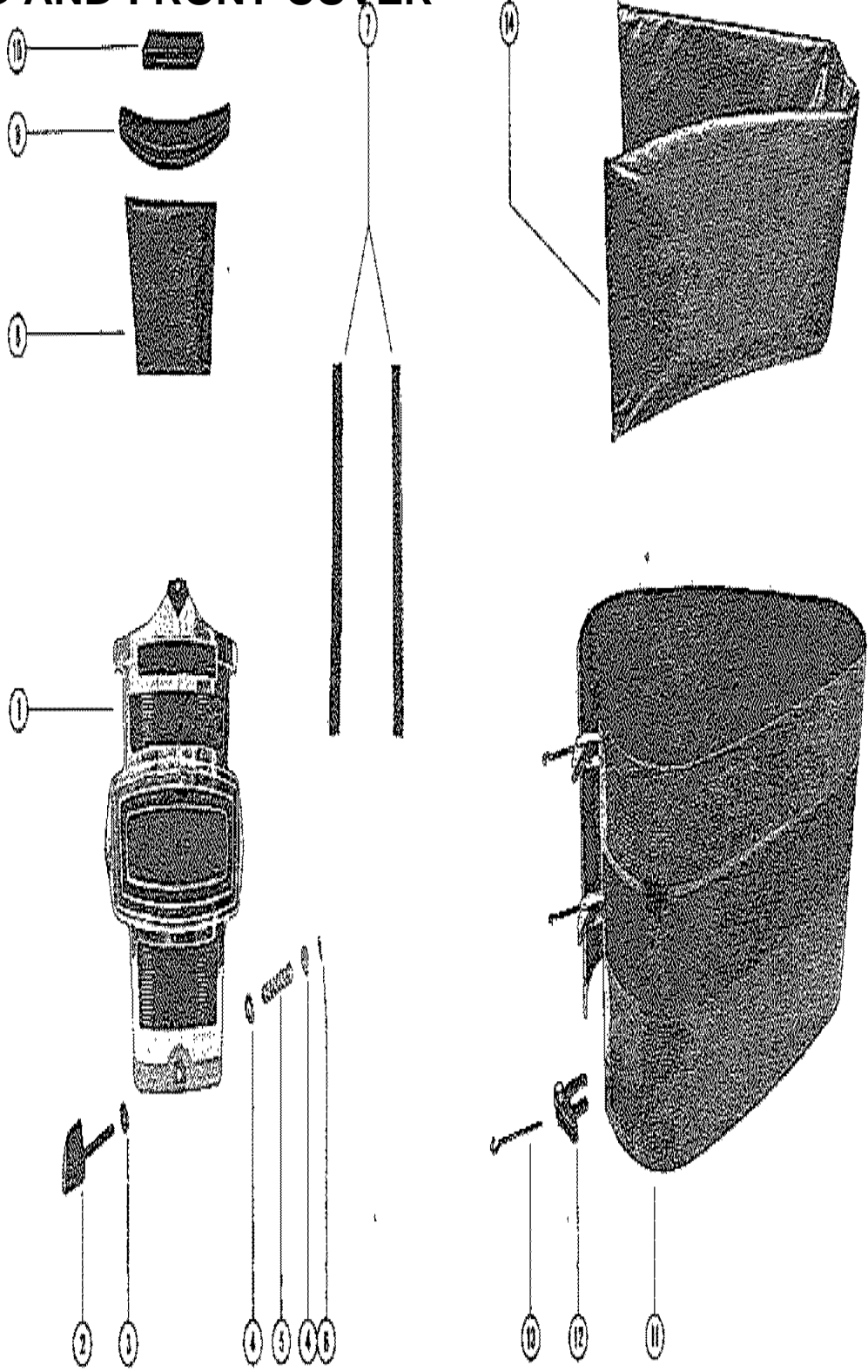
TOP COWL AND SUPPORT BRACKETS



TOP COWL AND SUPPORT BRACKETS

REF. NO.	PART NO.	SYM.	QTY.	DESCRIPTION
1	2114-5999		1	TOP (WITHOUT DECALS)
2	52733A9		1	RETAINER ASSEMBLY, TOP COWL
3	35496		1	PAD, BUMPER - TP CPW: RETAOMER
4	10-37558		1	SCREW, RETAINER TO TOP COL (1 1/4")
5	13-39107		1	LOCKWASHER, RETAINER TO TOP COWL SCREW
6	76370		1	SHIELD, TOP COWL - REAR
7	10-37370		3	SCREW, SHIELD TO TOP COWL (5/8")
8	13-37371		3	LOCKWASHER, SHIELD SCREW
9	47341A1		1	ROPE, STARTER (FOR MANUAL STARTING ONLY)
10	52739		1	HINGE, COWL LATCH - TOP COWL
11	52737		1	LEVER, COWL LATCH HINGE
12	17-58998		1	PIN, ROLL - COWL LATCH LEVER TO HINGE
13	55455		1	HOOK, TOP COWL LATCH - REAR
14	10-22956		2	SCREW. REAR HOOK TO TOP COWL (7/8")
15	13-26992		2	LOCKWASHER REAR HOOK MOUNTING SCREW
16	75971A1		1	FRAME ASSEMBLY, TOP COWL SUPPORT UNITED STATES 5168573 AND BELOW AUSTRALIA 8056944 AND BELOW CANADA 7123762 AND BELOW
	86922A1		1	FRAME ASSEMBLY, TOP COWL SUPPORT UNITED STATES 5168574 AND UP AUSTRALIA 8056945 AND UP CANADA 7123763 AND UP
17	37-73291		1	DECAL, TIMING (FLYWHEEL)
18	37639		3	MOUNT, RUBBER - TOP COWL FRAME
	46096		OPT	MOUNT, RUBBER - TOP COWL FRAME (HEAVY DUTY)
19	11-35888		6	NUT, RUBBER MOUNT TO TOP COWL FRAME
20	64954		1	BRACKET, TOP COWL SUPPORT - REAR
21	31014		2	MOUNT, RUBBER - REAR SUPPORT BRACKET
22	13-26992		2	LOCWASHER RUBBER MOUNT TO REAR SUPPORT BRACKET
23	11-29598		2	NUT RUBBER MOUNT TO REAR SUPPORT BRACKET
24	10-37562		4	SCREW, REAR BRACKET TO FRAME (1")
26	13-26993		4	LOCKWASHER, REAR BRACKET SCREW
27	10-37562		4	SCREW, REAR BRACKET TO BOTTOM COWL (1")
28	13-26993		4	LOCKWASHER, REAR SUPPORT BRACKET SCREW
29	77103A3		1	BRACKET ASSEMBLY, TOP COWL - FRONT
30	10-69092		2	SCREW FRONT BRACKET TO BOTTOM COWL (1 1/4")
31	13-26992		2	LOCKWASHER FRNOT SUPPORT BRACKET SCREW
32	10-55511		2	SCREW FRONT BRACKET TO TOP COWL FRAME (1 1/2")
33	13-26993		2	LOCKWASHER, FRONT BRACKET SCREW
34	37640		1	MOUNT, RUBBER FRONT SUPPORT BRACKET
35	13-26993		1	LOCKWASHER RUBBER MOUNT TO FRONT SUPPORT BRACKET
36	11-28770		1	NUT RUBBER MOUNT TO FRONT SUPPORT BRACKET

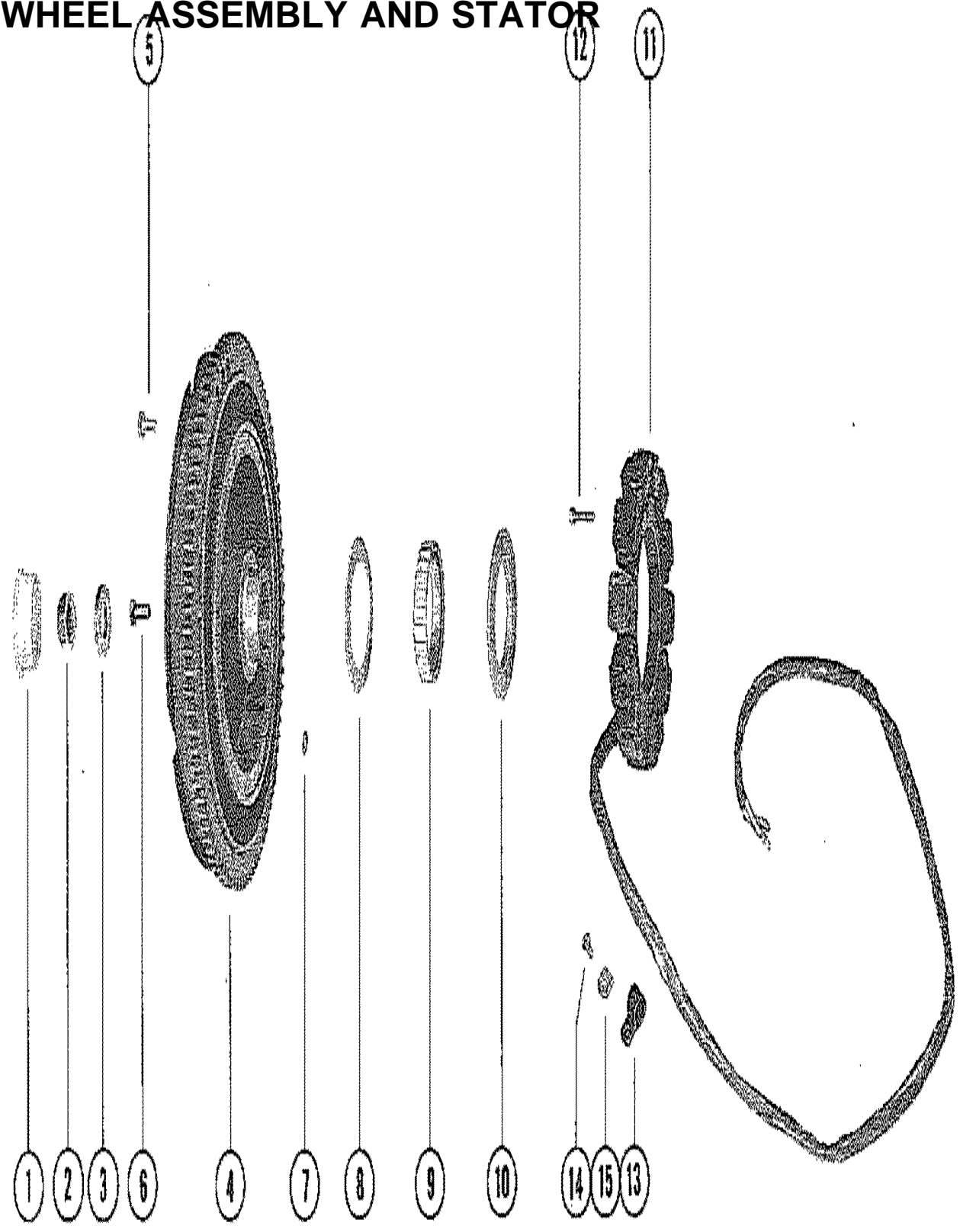
COWLING AND FRONT COVER



COWLING AND FRONT COVER

REF. NO.	PART NO.	SYM.	QTY.	DESCRIPTION
1	2113-5631A4		1	COWL FRONT COVER ASSEMBLY (WITHOUT DECALS)
2	56849		1	KNOB,COWL FRONT COVER FASTENING
3	12-30771		2	WASHER, COVER FASTENING KNOB (RUBBER)
4	12-59572		2	WASHER, COVER FASTENING KNOB (PLASTIC)
5	24-30772		1	SPRING TENSION - FASTENING KNOB
6	17-29077		1	ROLL PIN, TENSION SPRING TO KNOB
7	31089		2	STRIP, SOUND ABSORBING
8	38674		1	BAG, STARTER ROPE
9	35769		1	SEAL, SOUND ABSORBING - UPPER
10	53334		1	SEAL, SOUND ABSORBING - TOP
11	2436-4660A4		1	WRAP AROUND COWL ASSEMBLY (WITHOUT DECALS)
12	46785A1		3	COWL LATCH ASSEMBLY
13	30413		3	HOOK, COWL LATCH FASTENING
14	30021		1	BLANKET, SOUND ABSORBING
-	92-25234--1		1	GLUE, ADHESIVE - BLANKET FASTENING
-	92-27109--1		1	ADHESIVER COMPOUND, ELBLEM FASTENING

FLYWHEEL ASSEMBLY AND STATOR

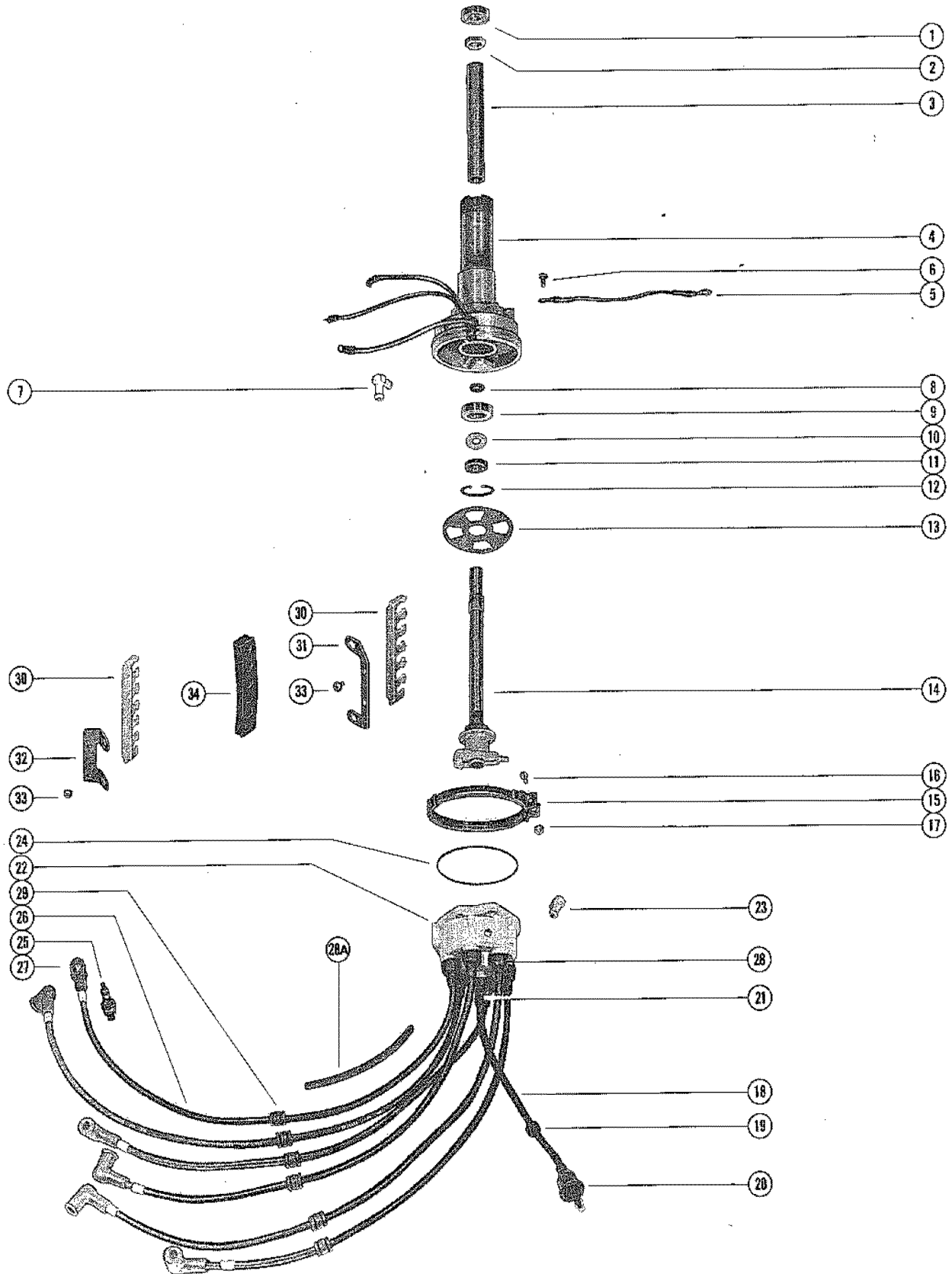


FLYWHEEL ASSEMBLY AND STATOR

REF. NO.	PART NO.	SYM.	QTY.	DESCRIPTION
1	19-45907		1	PLUG, FLYWHEEL PULLER THREADS
2	11-52901		1	NUT FLYWHEEL (PART OF A-436-6646A2 CRANKSHAFT ASSEMBLY)
3	12-68229		1	WASHER, FLYWHEEL NUT
4	225-2494A30		1	FLYWHEEL ASSEMBLY, COMPLETE UNITED STATES 5168573 AND BELOW AUSTRALIA 8056944 AND BELOW CANADA 7123762 AND BELOW
	225-2494A37		1	FLYWHEEL ASSEMBLY, COMPLETE UNITED STATES 5168574 AND UP AUSTRALIA 8056945 AND UP CANADA 7123763 AND UP
5	10-32417		8	SCREW, FLEXIBLE PLATE TO FLYWHEEL (5/8")
6	10-68997		8	SCREW, PLATE/HUB TO FLEX. PLATE
7	17-26618		1	PIN, DOWEL - PULLEY TO FLYWHEEL
8	29788		1	FLANGE, FLYWHEEL PULLEY
9	30306		1	PULLEY, FLYWHEEL
10	29787		1	HUB, FLYWHEEL PULLEY
11	398-4793		1	STATOR, ALTERNATOR
12	10-75840		4	SCREW, STATOR TO UPPER END CAP (7/8")
13	54-24871		1	CLIP, STATOR LEAD FASTENING (5/8")
	54-22627		1	CLIP STATOR/WIRING HARNESS LEADS FASTENING (1/2")
14	10-62568		3	SCREW, STATOR LEAD CLIP FASTENING (3/8")
15	69205		3	"D" WASHER, CLIP FASTENING SCREW

FOR REPLACEMENT FLYWHEEL FLEX PLATES, ORDER A-[55623A5] REPLACEMENT KIT

DISTRIBUTOR HOUSING AND ROTOR

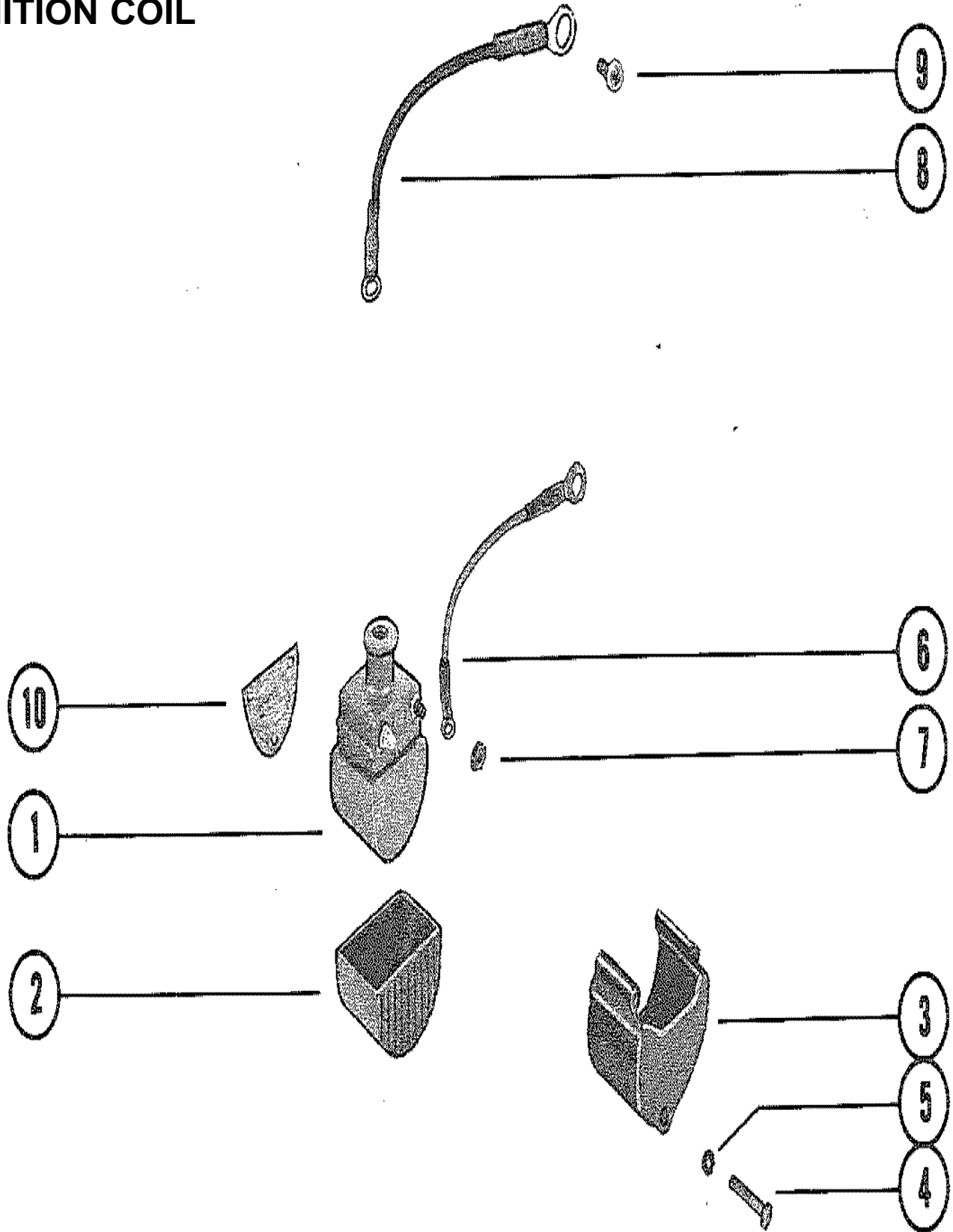


DISTRIBUTOR HOUSING AND ROTOR

REF. NO.	PART NO.	SYM.	QTY.	DESCRIPTION
1	30-20066		1	BALL BEARING, DISTRUBUTOR HOUSING (UPPER)
2	11-54209		1	NUT, ROTOR SHAFT TO DISTRIBUTOR HOUSING
3	23-53539		1	SLEEVE, ROTOR SHAFT
4	393-3736A77		1	HOUSING ASSEMBLY, DISTRIBUTOR
5	53417		1	GROUND STRAP ASSEMBLY DISTRIBUTOR TO CRANKCASE
6	10-62568		1	SCREW, GROUND STRAP ATTACHING (3/8")
7	58807A1		1	FLAME ARRESTOR, VENT - DISTRUBUTOR HOUSING
8	15-55853		1	SHIM, BALL BEARING TO DISTRIBUTOR HOUSING
9	30-26379		1	BALL BEARING, DISTRIBUTOR HOUSING (LOWER)
10	15-21148A1		AR	SHIM, BALL BEARING TO SPACER
11	23-53538		1	SPACER, ROTOR SHAFT
12	53-26406		1	RING RETAINER - BALL BEARING TO DISTRIBUTOR HOUSING
13	393-4313		1	DISC, ROTOR
14	393-4312		1	ROTOR, DISTRIBUTOR
15	54-60768		1	CLAMP, DISTRIBUTOR CAP TO DISTRUBUTOR HSG. PART OF DISTRIBUTOR CAO ASSEMBLY
16	10-65774		1	SCREW, DISTRIBUTOR CAP CLAMP (1 1/8") PART OF DISTRIBUTOR CAO ASSEMBLY
17	11-26768		1	NUT, DISTRUBUTOR CAP CLAMP SCREW
18	84-69207A1		1	CABLE ASSEMBLY, CAP TO COIL
19	25-26547		1	GROMMETT, HIGH TENSION CABLE
20	332-2854		1	BOOT, HIGH TENSION CABLE TO COIL
21	60096		1	BOOT, HIGH TENSION CABLE
22	393-4841A2		1	DISTRIBUTOR CAP ASSEMBLY
-	393-1293A1		1	BRUSH AND SPRING ASSEMBLY
23	58807A1		1	FLAME ARRESTOR, VENT - DISTRUBUTOR CAP
24	27-55896	■	1	GASKET, DISTRUBUTOR CAP
25	33-68057		6	SPARK PLAY (CHAMPOIN L-76V)
26	84-63212A2		6	SPARK PLUG LEAD ASSEMBLY #1, #2, #3, #4, #5, AND #6 ORDER A-36549A1 KIT FOR REPLACEMENT OF LEAD WIRE MARKERS.
-	20121		6	CONNECTOR, SPARK PLUG LEAD
27	85-71006A1		6	PROCTECTOR, SPARK PLUG LEAD
28	60096		6	BOOT, SPARK PLUG LEAD TO DISTRIBUTOR
28A	23-62238--1		6	SLEEVE, SPARK PLUG LEAD (7")
29	25-26547		12	GROMET, SPARK PLUG LEADS
30	45409		2	WIRE RETAINER, HIGH TENSION LEADS
31	45392		1	BRACKET, FRONT - WIRE RETAINER
32	47398		1	BRACKET, REAR - WORE RETAINER
33	10-62568		4	SCREW, FRONT AND REAR BRACKET ATTACHING
34	45391		2	SPACER, RUBBER - HIGH TENSION LEADS
-	27-60476A75		0	GASKET SET

■ = CONTENTS OF C-[27-60476A75] GASKET SET

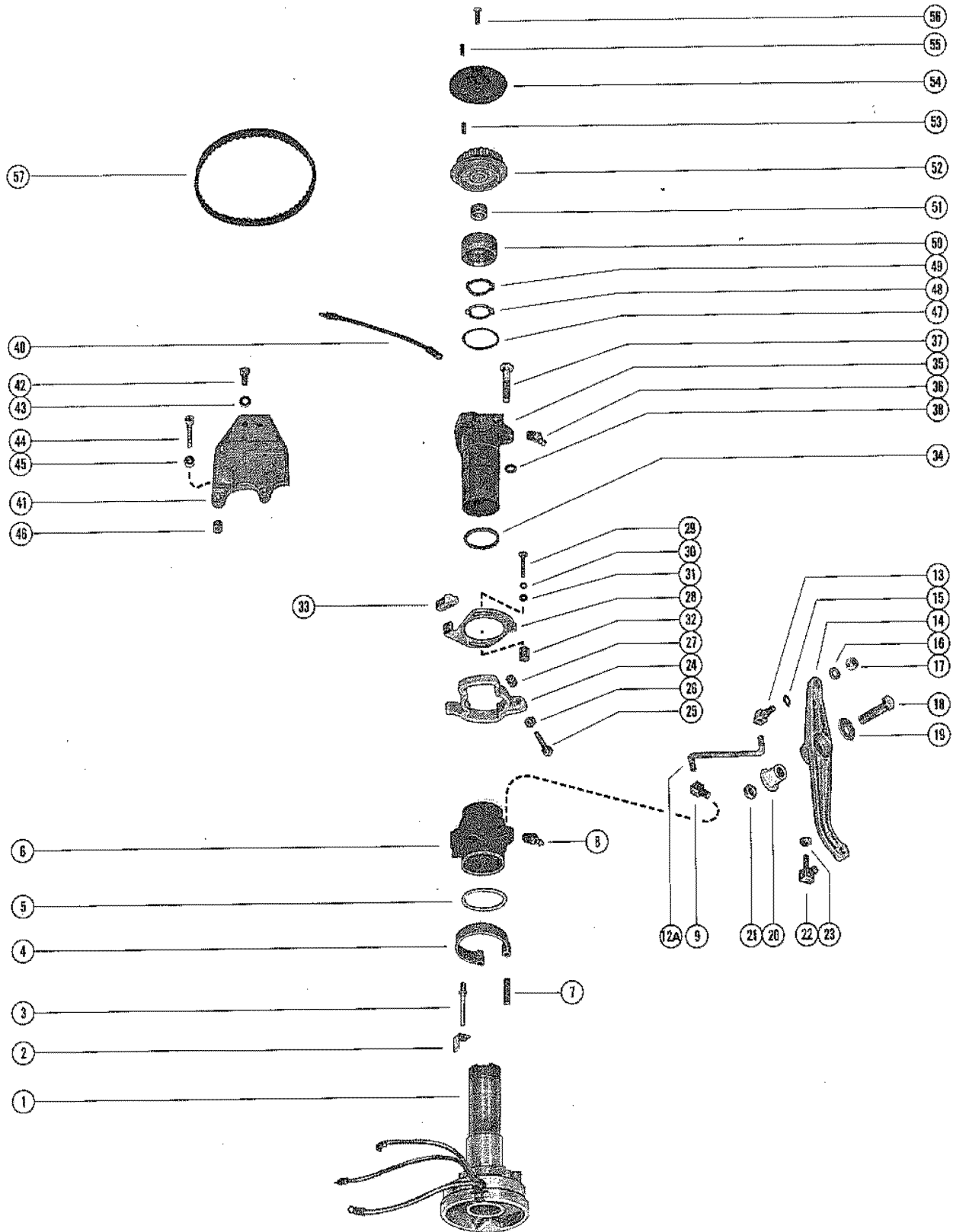
IGNITION COIL



IGNITION COIL

REF. NO.	PART NO.	SYM.	QTY.	DESCRIPTION
1	332-4895A2		1	IGNITION COIL ASSEMBLY
2	63194		1	PAD, RUBBER - IGNITION COIL
3	63195		1	COVER, IGNITION COIL
4	10-69046		3	SCREW, COIL TO CYLINDER BLOCK (2")
5	12-30164		3	WASHER, COIL SCREW
6	84-60466A1		1	CABLE ASSEMBLY
7	11-45076		2	NUT, IGNITION COIL TERMINAL (#10)
8	84-66054A2		1	CABLE ASSEMBLY, COIL TO SWITCH BOX
9	10-62568		1	SCREW, IGNITION COIL WIRE TO SWITCH BOX (3/8")
10	69190		1	PLATE, COIL MOUNTING

DISTRIBUTOR ADAPTOR AND VERTICAL LINKAGE

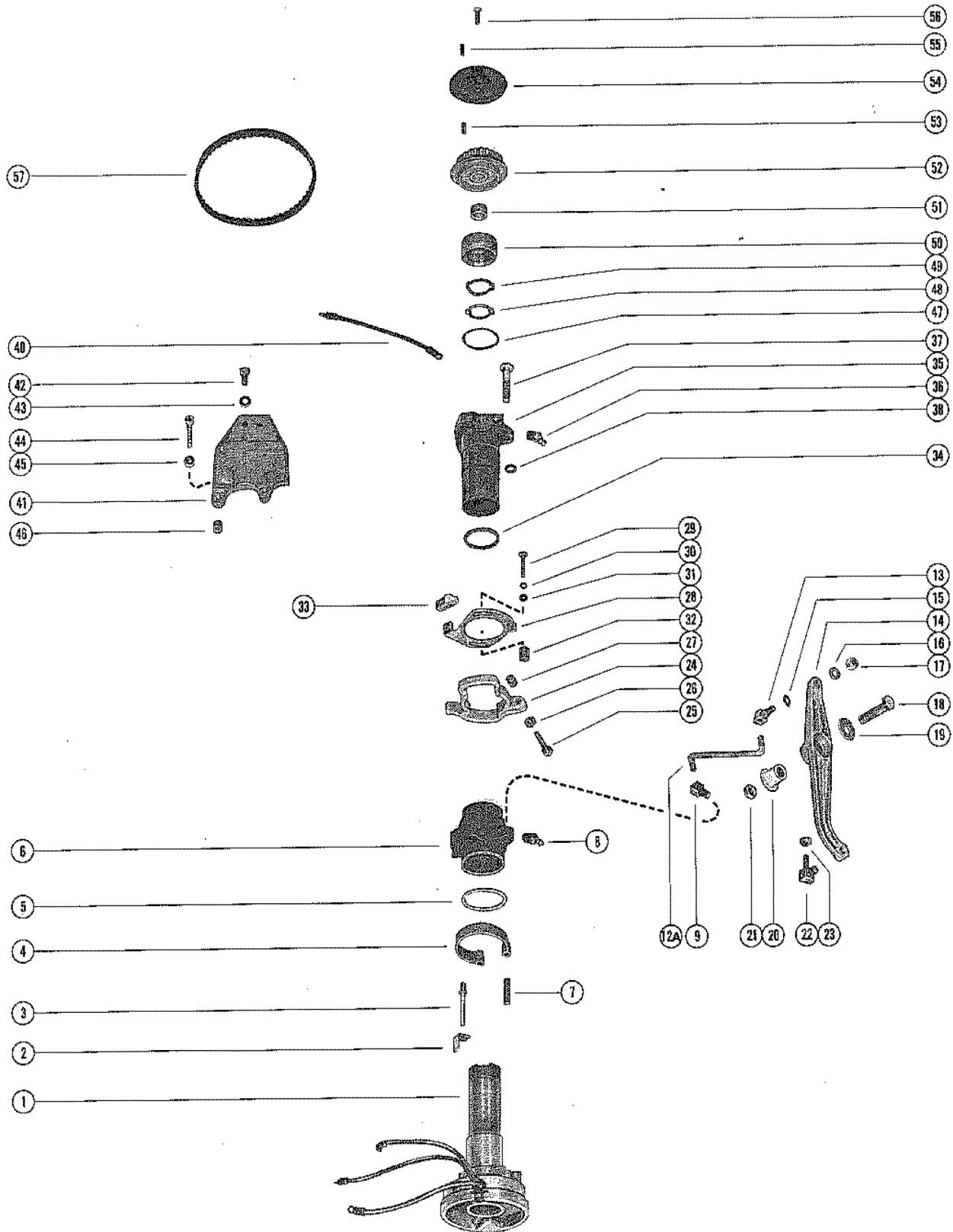


DISTRIBUTOR ADAPTOR AND VERTICAL LINKAGE

REF. NO.	PART NO.	SYM.	QTY.	DESCRIPTION
1	393-3736A77		1	HOUSING ASSEMBLY, DISTRIBUTOR
2	32197		1	STOP, SPARK ADVANCE - DISTRIBUTOR HOUSING
3	17-27962		1	PIN, ANCHOR SPRING - DISTRIBUTOR HOUSING
4	24-27944		1	SPRING, HORSESHOE - DISTRIBUTOR HOUSING
5	12-53540		1	WASHER ECONOMIZER COLLAR - DISTRIBUTOR HOUSING
6	55804A1		1	ECONIZER COLLAR ASSEMBLY
7	17-27961		1	PIN, ECONOMIZER COLLAR - SPRING RETAINER
8	22-25094		1	FITTING, GREASE - ECONOMIZER COLLAR
9	27947		1	SWIVEL, LINKAGE - ECONOMIZER COLLAR
12A	67469		1	ROD, LINK - UPPER
13	27948		1	SWIVEL UPPER LINK ROD TO THROTTLE CONTROL LEVER
14	78992		1	LEVER, THROTTLE CONTROL
15	13-3995		1	WASHER, WAVE - THROTTLE CONTROL LEVER SWIVEL
16	12-29245		1	WASHER, THROTTLE CONTROL LEVER SWIVEL
17	11-35888		1	NUT, UPPER LINK ROD THROTTLE CONTROL LEVER
18	10-37559		1	SCREW THROTTLE LEVER TO EXHAUST COVER (1 3/4")
19	12-29395		1	WASHER, THROTTLE CONTROL LEVER SCREW
20	23-45818		1	BUSHING, THROTTLE CONTROL LEVER SCREW
21	11-20509		1	NUT, THROTTLE CONTROL LEVER SCREW
22	37587		1	SWIVEL, LOWER THROTTLE CONTROL LEVER TO THROTTLE CABLE
23	11-35888		1	NUT, THROTTLE CABLE TO LOWER SWIVEL
24	48692		1	COLLAR, THROTTLE ACTUATOR
25	10-48675		1	SCREW, ADJUSTING THROTTLE ACTUATOR COLLAR (1 1/2")
26	11-64015		1	NUT THROTTLE ACTUATOR COLLAR ADJUSTING SCREW
27	52023		1	CAP NYLON - THROTTLE ACTUATOR COLLAR ADJUSTING SCREW
28	48671		1	PLATE, THROTTLE ACTUATOR
29	10-37892		2	SCREW THROTTLE ACTUATOR PLATE TO ECONOMIZER COLLAR (1")
30	12-30164		2	WASHER THROTTLE ACTUATOR PLATE FASTENING SCREW
31	13-26996		2	LACKWASHER THROTTLE ACTUATOR PLATE FASTENING SCREW
32	23-48674		2	SPACER, THROTTLE ACTUATOR PLATE SCREW
33	58454		1	CAM, THROTTLE ACTUATOR PLATE
34	12-46246		1	WASHER, ADAPTOR - DISTRIBUTOR HOUSING
35	66165A2		1	ADAPTOR ASSEMBLY, DISTRIBUTOR
36	22-25094		1	FITTING, GREASE - DISTRUBUTOR ADAPTOR
37	10-20362		3	SCREW DISTRIBUTOR HOUSING TO CRANKCASE (1 1/2")
38	12-20084		3	WASHER, DISTRIBUTOR HOUSING SCREW
40	84-66008A1		1	WIRE, GROUND DISTRUBUTOR ADAPTOR TO FRONT SUPPORT BARCKET
41	55805		1	BRACKET, STOP
42	10-28636		2	SCREW DISTRIBUTOR ADAPTOR TO STOP BRACKET (3/4")

CONTINUED ON NEXT PAGE ➡

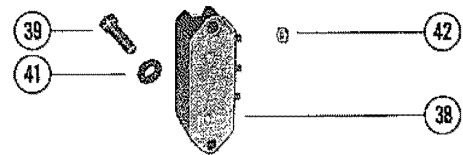
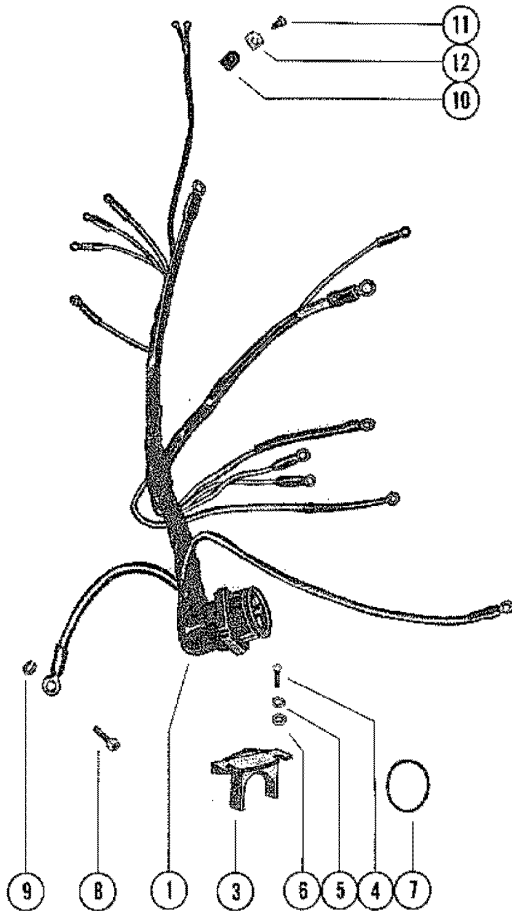
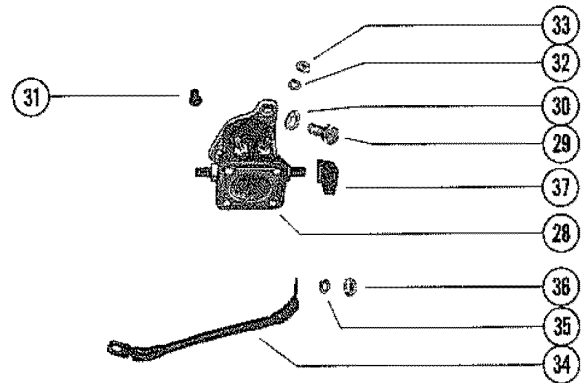
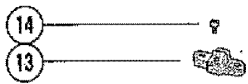
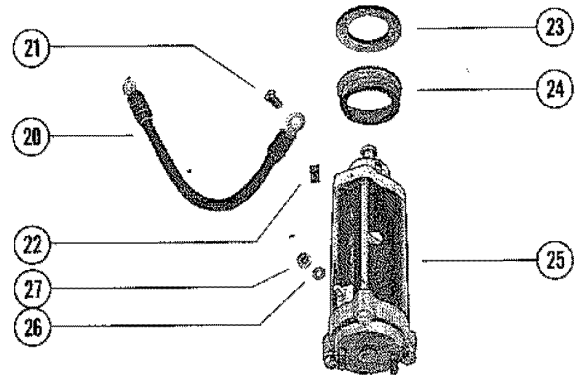
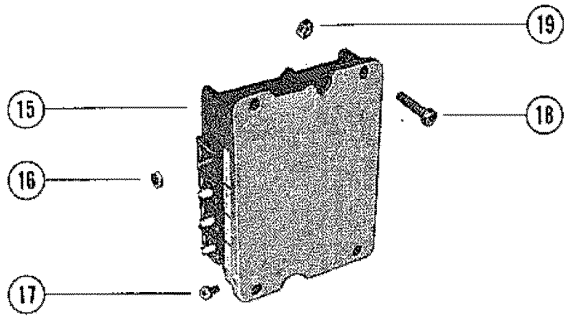
DISTRIBUTOR ADAPTOR AND VERTICAL LINKAGE



DISTRIBUTOR ADAPTOR AND VERTICAL LINKAGE

REF. NO.	PART NO.	SYM.	QTY.	DESCRIPTION
43	12-35462		2	WASHER, STOP BRACKET FASTENING SCREW
44	10-64022		3	SCREW, STOP BRACKET ADJUSTING (2 1/8")
45	11-64015		3	NUT, STO BRACKET ADJUSTING SCREW
46	52023		3	CAP, NYLON - STOP BRACXKET ADJUSTING SCREW
47	12-27939		1	WASHER, SIDTRIBUTOR HOUSING
48	14-27960		1	TAB WASHER, ADAPTOR CAP FASTENING
49	13-27959		1	WASHER WAVE - DISTRIBUTOR BALL BEARING TENSION
50	54567		1	CAPM DISTRIBUTOR HOUSING
51	23-47250		1	SPACER, DRIVE PULLEY
52	29906A1		1	DRIVEN PULLEY ASSEMBLY
53	17-29908		1	PIN, ROLL - FLANGE LOCATING
54	29907		1	FLANGE, DRIVEN PULLEY
55	28-29910		1	KEY, DISTRUBUTOR DRIVER
56	10-68554		1	SCREW, PULLEY CLAMPING
57	20140		1	BELT, TIMING

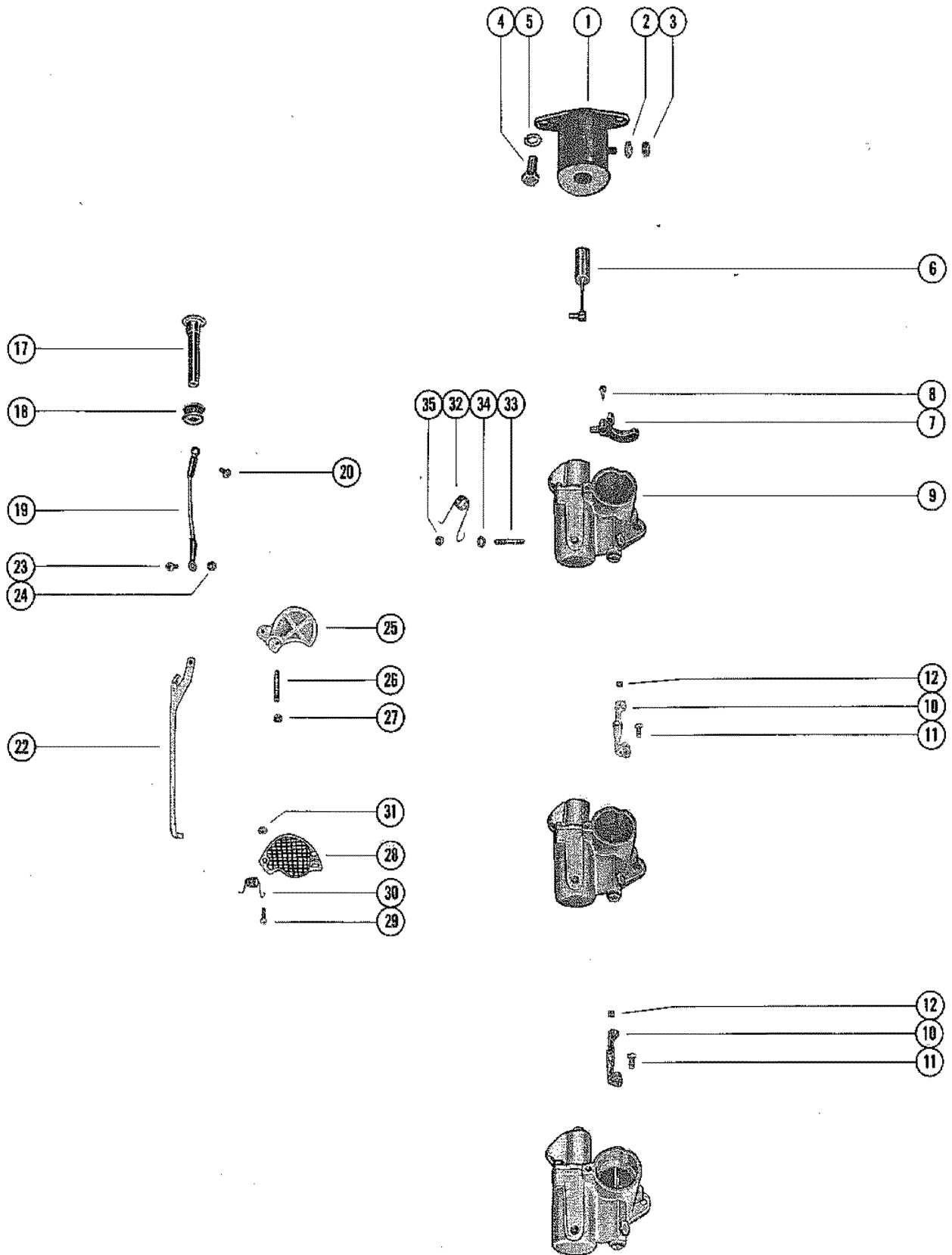
STARTER MOTOR, STARTER SOLENOID, RECTIFIER AND WIRING HARNESS



STARTER MOTOR, STARTER SOLENOID, RECTIFIER AND WIRING HARNES

REF. NO.	PART NO.	SYM.	QTY.	DESCRIPTION
1	84-69236		1	WIRING HARNESS, INTERNAL
3	54-76368		1	CLAMP, WIRING HARNESS TO BOTTOM COWL
4	10-69020		2	SCREW WIRING HARNESS CLAMP TO BOTTOM COWL (7/8")
5	13-26996		2	LOCKWASHER, WIRING HARNESS CLAMP SCREW
6	12-30164		2	WASHER, WIRING HARNESS CLAMP SCREW
7	24-28975		1	SPRING, GARTER - INTERNAL WIRING HARNESS
8	10-69052		1	SCREW, GROUND WIRE TO BOTTOM COWL
9	13-26992		1	LOCKWASHER, GROUND WIRE SCREW
10	54-26538		1	CLIP, STATOR LEADS TO BLOCK (1/8")
11	10-62568		1	SCREW WIRING HARNESS TO FRONT BRACKET (3/8")
12	69205		1	"D" WASHER, WIRING HARNESS CLIP SCREW
13	45559		1	TERMINAL BLOCK, STATOR LEADS
14	10-62568		4	SCREW, STATOR LEADS TO TERMINAL BLOCK (3/8")
15	332-2986A21		1	SWITCH BOX ASSEMBLY
16	11-45076		7	NUT, SWITCH BOX TERMINAL
17	10-29794		1	SCREW, SWITCH BOX (3/8")
18	10-64279		4	SCREW SWITCH BOX TO FRONT MOUNTING BRACKET (3/4")
19	11-46887		4	NUT, SWITCH BOX SCREW
20	54651		1	CABLE, WIRE STARTER MOTOR TO FRONT SUPPORT BRACKET
21	10-69035		1	SCREW, WIRE CABLE TO STARTER MOTOR
22	57247		2	STOP, RUBBER - STARTER MOTOR
23	23-56774		AR	SPACER, COLLAR TO TOP MOUNTING CAP
24	56703		2	COLLAR, RUBBER - STARTER MOTOR MOUNT
25	50-72467		1	STARTER MOTOR ASSEMBLY
26	13-26992		1	LOCKWASHER, STARTER MOTOR TERMINAL
27	11-64015		1	NUT, STARTER MOTOR TERMINAL
28	89-68258		1	SOLENOID, STARTER
29	10-38601		2	SCREW, SOLENOID TO BOTTOM COWL (5/8")
30	13-26992		2	LOCKWASHER STARTER SOLENOID FASTENING SCREW
31	26901		1	BUMPER, RUBBER - STARTER SOLENOID
32	13-26996		2	LOCKWASHER, SOLENOID TERMINAL (#10)
33	11-68219		2	NUT, SOLENOID TERMINAL (#10)
34	84-69237		1	CABLE, WIRE - STARTER MOTOR TO SOLENOID
35	13-26993		2	LOCKWASHER, SOLENOID TERMINAL (5/16")
36	11-68292		2	NUT, SOLENOID TERMINAL (5/16")
37	46265		1	BOOT, SOLENOID TERMINAL
38	62351A1		1	RECTIFIER ASSEMBLY
39	10-37656		2	SCREW, RECITIFIER TO FRONT BRACKET (5/8")
42	11-45076		3	NUT, STATOR LEADS TO RECITIFIER

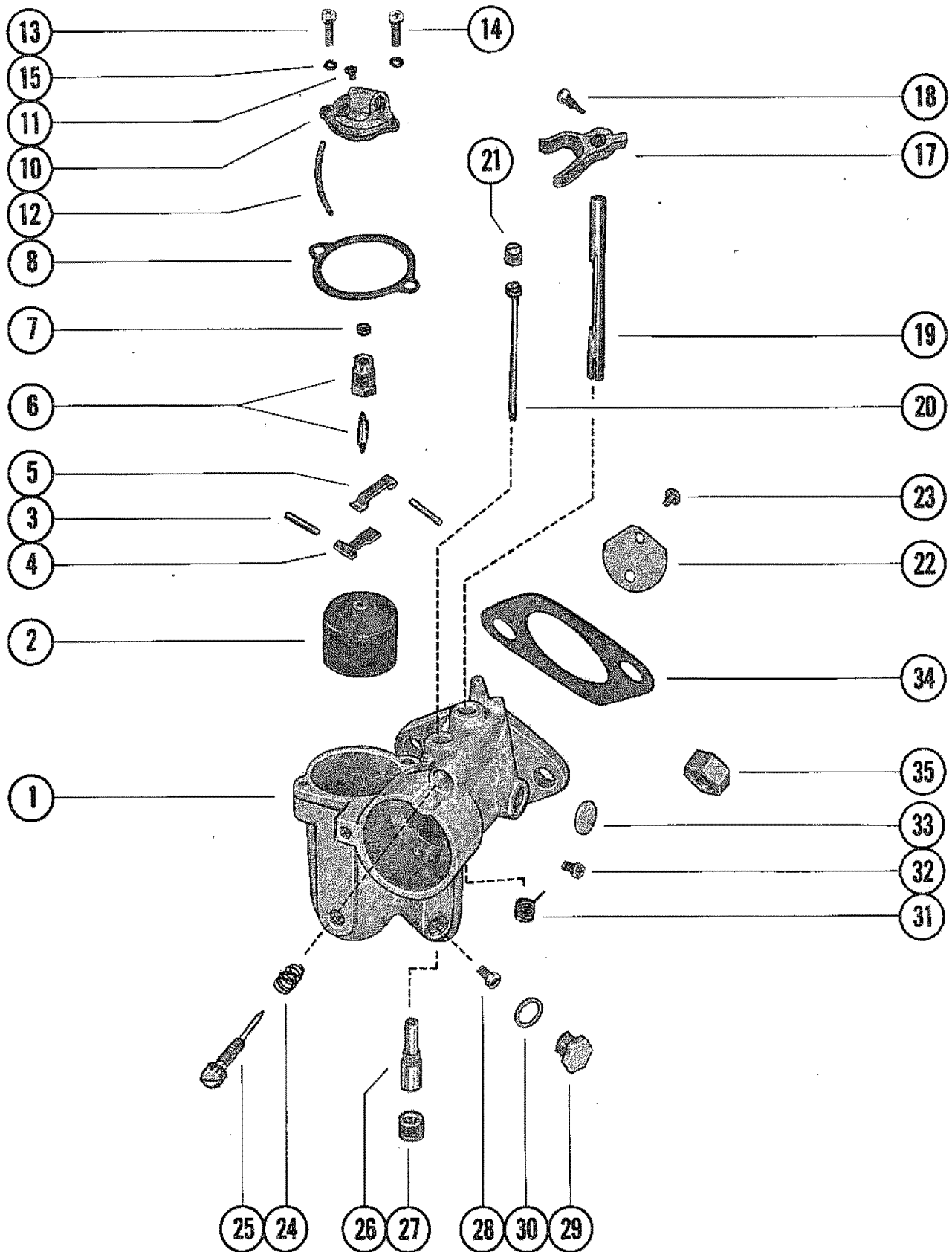
CARBURETOR LINKAGE AND CHOKE SOLENOID



CARBURETOR LINKAGE AND CHOKE SOLENOID

REF. NO.	PART NO.	SYM.	QTY.	DESCRIPTION
1	54293A4		1	CHOKE SOLENOID
2	13-26996		1	LOCKWASHER, SOLENOID TERMINAL
3	11-68219		1	NUT, SOLENOID TERMINAL
4	10-25299		2	SCREW, CHOKE SOLENOID (3/4")
5	13-26993		2	LOCKWASHER, CHOKE SOLENOID SCREW
6	54283A1		1	PLUNGER AND LINK ASSEMBLY, CHOKE SOLENOID
7	52518		1	CLUSTER, THROTTLE LEVER (UPPER CARBURETOR)
8	10-20847		1	SCREW, CLUSTER TO THROTTLE LEVER
9	1368-5702A5		3	CARBURETOR ASSEMBLY, COMPLETE UNITED STATES 5050791 AND BELOW AUSTRALIA 8054754 AND BELOW CANADA 7118922 AND BELOW
	1368-5702A19		3	CARBURETOR ASSEMBLY, COMPLETE UNITED STATES 5050792 AND UP AUSTRALIA 8054755 AND UP CANADA 7118923 AND UP
10	53720A2		2	THROTTLE PICK-UP BRACKET ASSEMBLY
11	10-66104		2	SCREW, THROTTLE BRACKET MOUNTING
12	53665		2	INSERT, THROTTLE COUPLING
17	73755A1		1	KNOB, SHCOLE ROD
18	25-20116		1	BROMMET, CHOKE ROD
19	49589		1	STRAP, CHOKE KNOB TO CHOKE ROD
20	10-76196		1	SCRE, STRAP TO CHOKE KNOB (5/8")
22	48203		1	ROD, CHOKE
23	10-48591		1	SCREW, STRAP TO CHILE RDO (1/2")
24	11-46438		1	NUT, STRAP TO CHOKE ROD SCREW
25	48152		2	SHUTTER, CHOKE-CARBURETOR
26	16-69037		2	STUD, CARBURETOR-CHOKE SHUTTER PIVOT
27	11-20110		2	NUT, CHOKE SHUTTER TO CARBURETOR STUD
28	35-57819		3	SCREEN ASSEMBLY, FILTER-CARBURETOR
29	10-22523		1	SCREW LOWER CARBURETOR FILTER SCREEN TO CARB. (5/8")
	10-23015		2	SCREW UPPER CARBURETOR FILTER SCREEN TO CARB. (1")
30	24-57818		2	SPRING, UPPER FILTER SCREEN SCREW
31	11-20110		3	NUT CARBURETOR FILTER SCREEN FASTENING SCREW
32	24-48230		1	SPRING, CHOKE ROD TENSION
33	16-39937		1	STUD, CHOKE ROD SPRING TO CARBURETOR
34	23-32427		1	SPACER, CHOKE ROD SPRING STUD
35	11-46887		1	NUT, CHOKE ROD SPRING TO CARBURETOR STUD

CARBURETOR ASSEMBLY



CARBURETOR ASSEMBLY

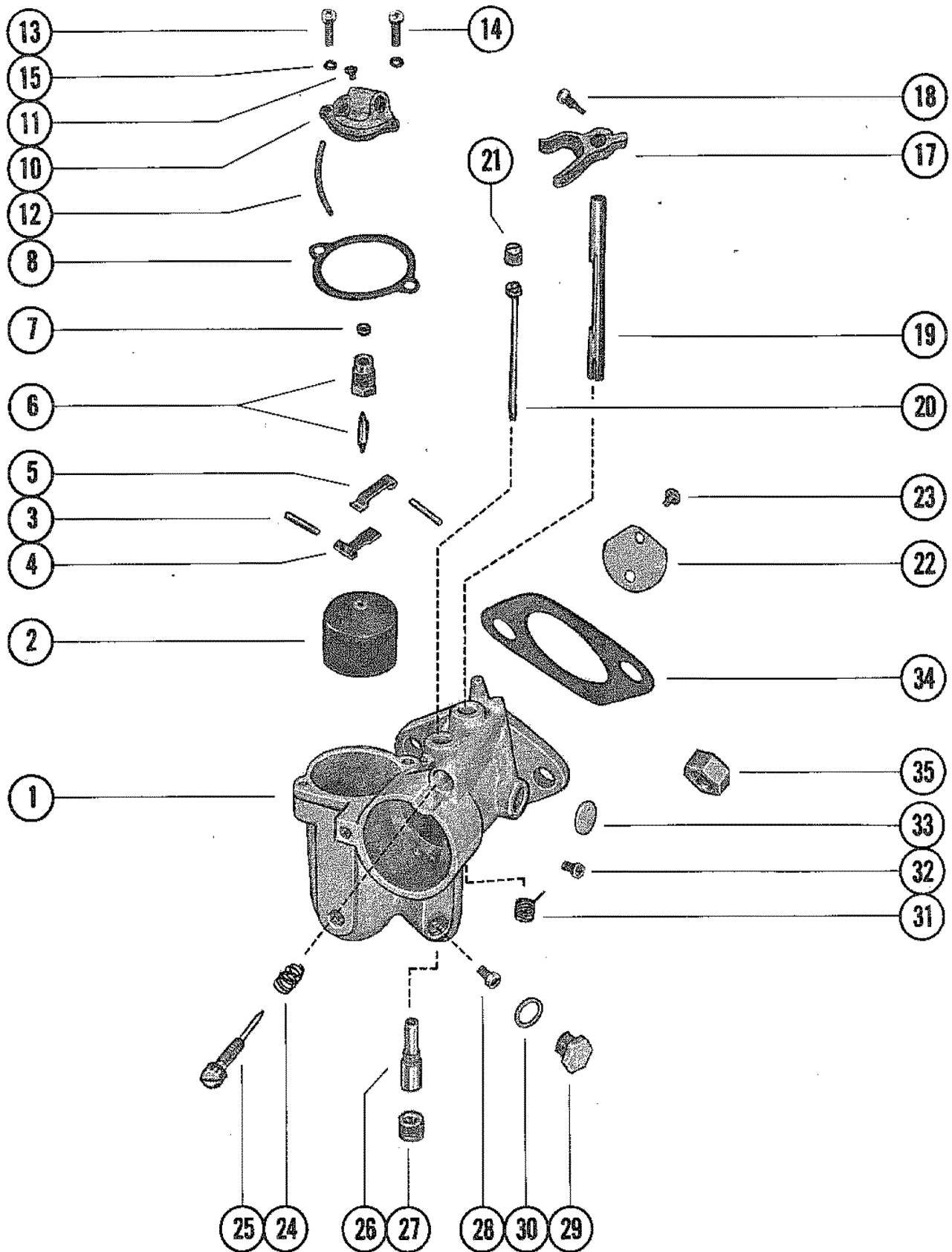
REF. NO.	PART NO.	SYM.	QTY.	DESCRIPTION
1	1368-5702A5		3	CARBURETOR ASSEMBLY UNITED STATES 5050791 AND BELOW AUSTRALIA 8054754 AND BELOW CANADA 7118922 AND BELOW
	1368-5702A19		3	CARBURETOR ASSEMBLY UNITED STATES 5050792 AND UP AUSTRALIA 8054755 AND UP CANADA 7118923 AND UP
2	1395-5353		3	FLOAT ASSEMBLY
3		■	6	PIN, FLOAT LEVER PINION
4		■	3	LEVER, FLOAT (LOWER)
5		■	3	LEVER, FLOAT (UPPER)
6	1395-4868		3	INLET NEEDLE, SEAT AND GASKET UNITED STATES 5050791 AND BELOW AUSTRALIA 8054754 AND BELOW CANADA 7118922 AND BELOW
	1395-4555		3	INLET NEEDLE, SEAT AND GASKET UNITED STATES 5050792 AND UP AUSTRALIA 8054755 AND UP CANADA 7118923 AND UP
7		■▲	0	GASKET, INLET SEAT
8		■▲	3	GASKET, FLOAT BOWL COVER
10	1395-5680		3	COVER, FLOAT BOWL
11	1395-5733		3	JET, BOWL VENT (.092) UNITED STATES 5050791 AND BELOW AUSTRALIA 8054754 AND BELOW CANADA 7118922 AND BELOW
	1399-6249		3	JET, BOWL VENT (.96) UNITED STATES 5050792 AND UP AUSTRALIA 8054755 AND UP CANADA 7118923 AND UP
12	1395-5734		3	HOSE, ECONOMIZER
13	10-52195		3	SCREW, FLOAT BOWL COVER
14	1395-4804		3	SCREW, FLOAT BOWL COVER
15	13-26995		6	LOCKWASHER, FLOAT BOWL COVER SCREW
17	1399-97		3	LEVER, THROTTLE (SEE NOT BELOW)
18	10-20847	■	3	SCREW, THROTTLE STOP LEVER (SEE FOOT NOTE BELOW)
19	1399-3527		3	SHAFT, THROTTLE
20		■	3	TUBE, IDLE
21	1395-4540		3	SCREW, BODY (IDLE TUBE)
22	1395-5108		3	SHUTTER, THROTTLE
23		■	6	SCREW AND LOCKWASHER, THROTTLE SHUTTER
24		■	3	SPRING, IDLE ADJUSTMENT SCREW
25	1399-3515		3	SCREW, IDLE ADJUSTMENT
26		■	3	NOZZLE, MAIN
27	1395-4542		3	SCREW, PLUG-MAIN NOZZLE
28	1399-3794	■	3	JET, MAIN FUEL (.074)-STANDARD UNITED STATES 5050792 AND UP AUSTRALIA 8054755 AND UP CANADA 7118923 AND UP
	1395-6207	■	3	JET, MAIN FUEL (.072)-STANDARD UNITED STATES 5050791 AND BELOW AUSTRALIA 8054754 AND BELOW CANADA 7118922 AND BELOW
	1395-6030		OPT	JET, MAIN FUEL (.070)

■ = COMPONENT OF REPAIR PARTS KIT.

▲ = COMPONENT OF GASKET AND PACKING SET.

CONTINUED ON NEXT PAGE ➡

CARBURETOR ASSEMBLY



CARBURETOR ASSEMBLY

REF. NO.	PART NO.	SYM.	QTY.	DESCRIPTION
28	1395-6029		OPT	JET, MAIN FUEL (.068)
29	1395-4541		3	SCREW, PLUG-MAIN FUEL JET CHANNEL
30		■▲	3	GASKET, JET CHANNEL PLUG SCREW
31		■	3	SPRING, THROTTLE SHAFT RETURN
32	1395-4543		3	SCREW, BODY CHANNEL
33		■	3	WELCH PLUG, BODY CHANNEL
-	1395-4808	■	3	GASKET AND PACKING SET (1 PER CARBURETOR)
-	1395-5405		3	REPAIR PARTS KIT (1 CARBURETOR) UNITED STATES 5050791 AND BELOW AUSTRALIA 8054754 AND BELOW CANADA 7118922 AND BELOW
-	1395-7479		3	REPAIR PARTS KIT(1 PER CARBURETOR) UNITED STATES 5050792 AND UP AUSTRALIA 8054755 AND UP CANADA 7118923 AND UP
34	27-48164	■▲■	3	GASKET, CARBURETOR FLANGE
35	11-64809		6	NUT, CARBURETOR MOUNTING STUD
-	27-60476A75		0	GASKET SET

FOR PLASTIC VENTURI ORDER A-[52106A1]

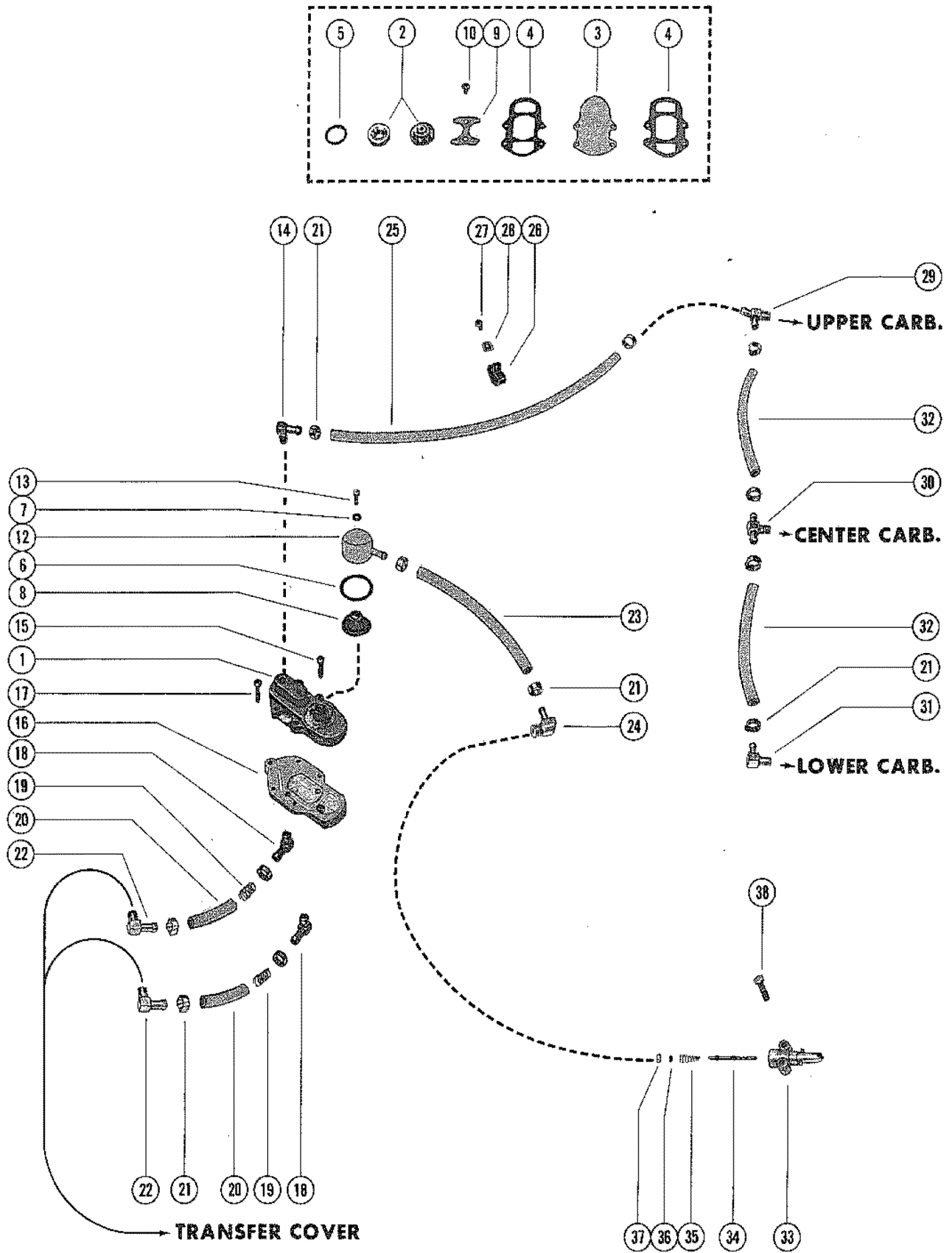
USED ON CENTER AND LOWER CARBURETOR ONLY--REPLACED WITH A-[52518] CLUSTER ON UPPER CARBURETOR

■ = CONTENTS OF C-[27-60476A75] GASKET SET

■ = COMPONENT OF REPAIR PARTS KIT.

▲ = COMPONENT OF GASKET AND PACKING SET.

FUEL PUMP AND FUEL LINE ASSEMBLY

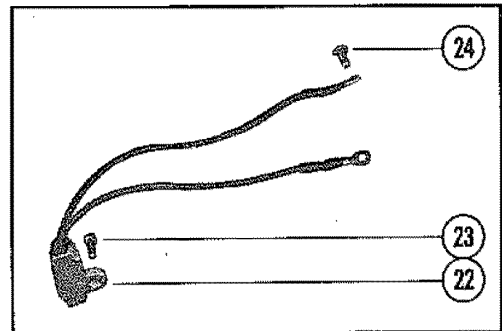
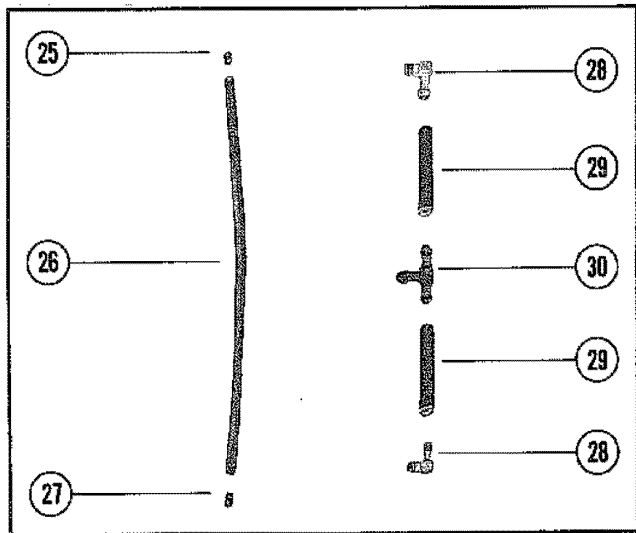
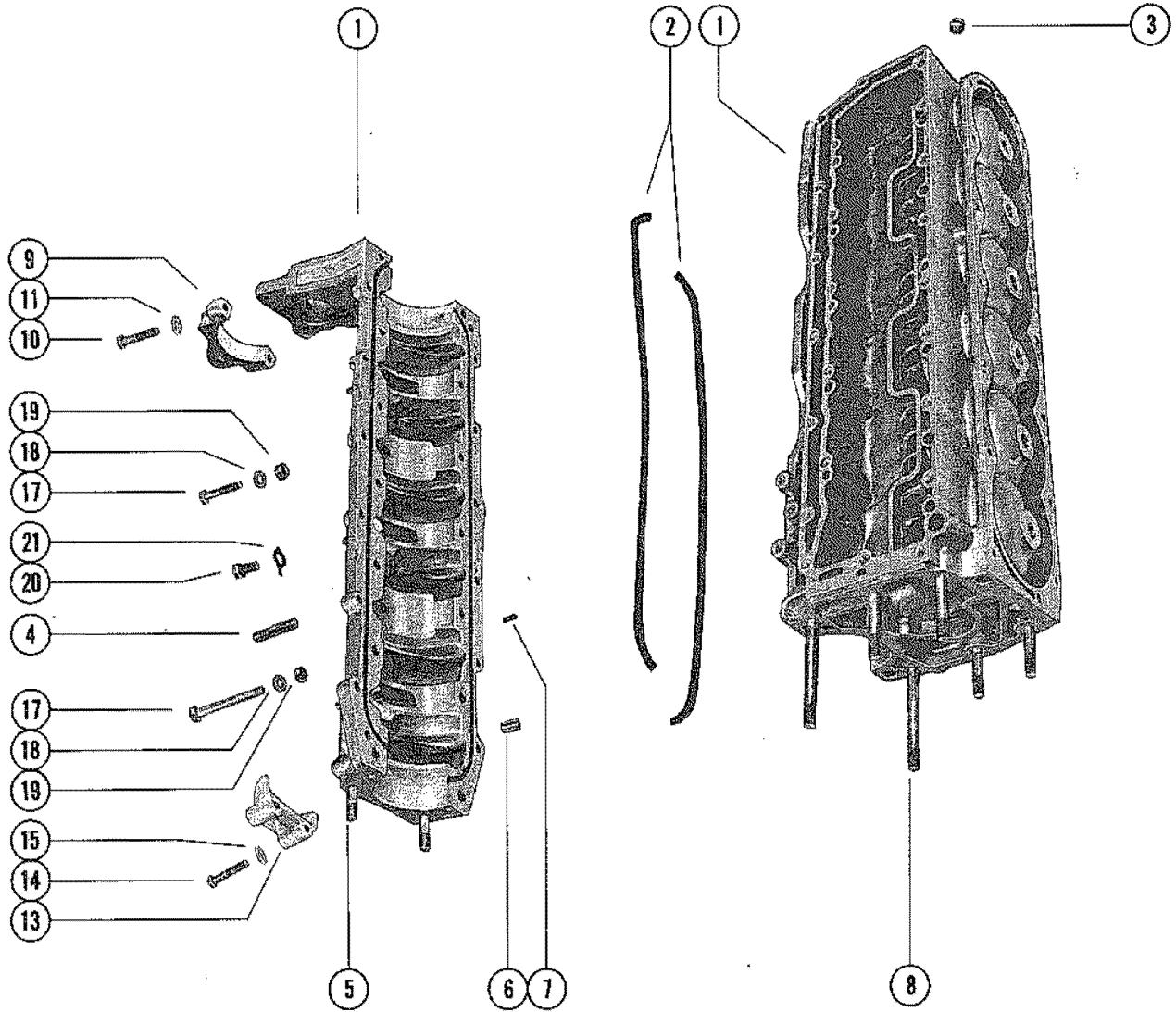


FUEL PUMP AND FUEL LINE ASSEMBLY

REF. NO.	PART NO.	SYM.	QTY.	DESCRIPTION
1	66530A2		1	FUEL PUMP ASSEMBLY
2	21-30430A7		1	CHECK VALVE ASSEMBLY
3	66599A1	■	1	DIAPHRAGM ASSEMBLY
4		■	2	GASKET, DIAPHRAGM
5		■	2	GASKET, CHECK VALVE
6		■	1	"O" RING, COVER TO HOUSING
7		■	1	GASKET, NYLON-FILTER COVER SCREW
8	35-59072	■	1	SCREEN, FILTER-INLET
9	23004		1	RETAINER, CHECK VALVE
10	10-20037		2	SCREW, RETAINER TO FUEL PUMP (1/4")
12	59071		1	COVER, FUEL INLET
13	10-37370		1	SCREW, COVER TO FUEL PUMP (5/8")
14	22-64704		1	FITTING, FUEL OUTLET
15	10-66686		2	SCREW, FUEL PUMP TO BASE (1")
16	66575		1	BASE, FUEL PUMP
17	10-66687		3	SCREW, FUEL PUMP TO BOTTOM COWL (1 1/2")
18	22-64704		2	FITTING, PULSE LINE (90 DEG.)
19	24-68434		2	SPRING, PLUSE LINE
20	32-70732		2	PULSE LINE (3 1/4")
21	54-68424		12	CLAMP, FUEL LINE ATTACHING
22	22-64704		2	FITTING, PULSE LINE TO TRANSFER COVER (90 DEG.)
23	32-70432		1	FUEL LINE, ADAPTOR TO FUEL PUMP (6 3/4")
24	22-63981		1	ELBOW, FUEL LINE TO ADAPTOR
25	32-70432		1	FUEL LINE FUEL PUMP TO UPPER CARBURETOR (15 3/4")
26	54-22627		1	CLIP, FUEL LINE ATTACHING
27	10-62568		1	SCREW, FUEL LINE CLIP (3/8")
28	69205		1	"D" WASHER, FUEL LINE CLIP SCREW
29	22-66328		1	FITTING, TEE-UPPER CARBURETOR
30	22-64706		1	FITTING, TEE-CENTER CARBURETOR
31	22-64704		1	FITTING, ELBOW-LOWER CARBURETOR
32	32-70432		2	FUEL LINE, CARBURETOR TO CARBURETOR (6 1/4")
33	22833		1	ADAPTOR, CHECK UNIT (FUEL LINE)
34	23069		1	STEM, CHECK UNIT ADAPTOR
35	24-23067		1	SPRING, ADAPTOR STEM
36	25-20415	■	1	"O" RING, ADAPTOR STEM
37	30188		1	CUP WASHER, ADAPTOR
38	10-69029		2	SCREW, ADAPTOR TO BOTTOM COWL (1 3/4")
-	27-60476A75		0	GASKET SET

■ = CONTENTS OF C-[27-60476A75] GASKET SET

CYLINDER BLOCK AND CRANKCASE ASSEMBLY



CYLINDER BLOCK AND CRANKCASE ASSEMBLY

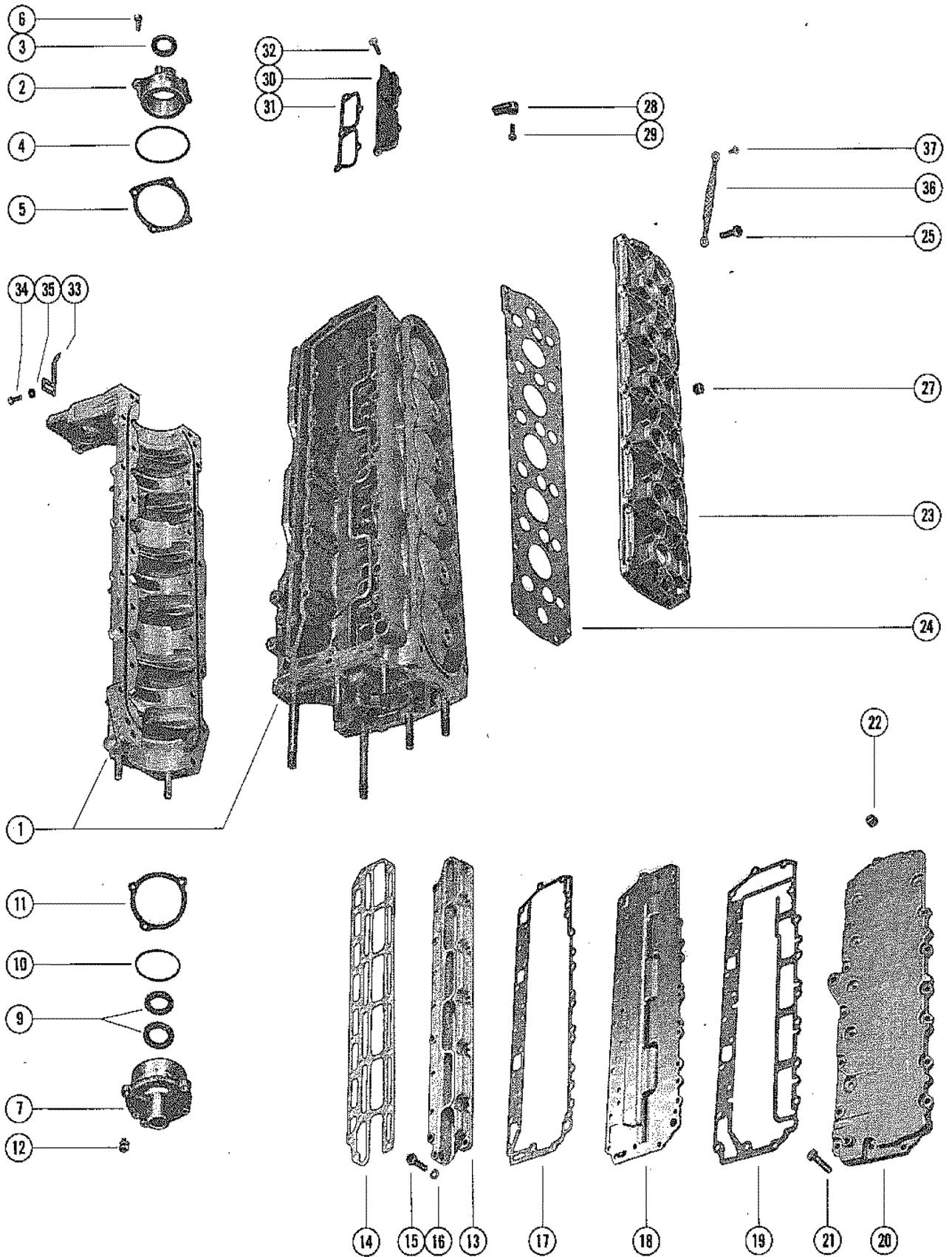
REF. NO.	PART NO.	SYM.	QTY.	DESCRIPTION
1	852-6686A1		1	CYLINDER BLOCK AND CRANKCASE ASS"Y UNITED STATES 5050791 AND BELOW AUSTRALIA 8054754 AND BELOW CANADA 7118922 AND BELOW
	852-7405A3		1	CYLINDER BOLCK AND BRANKCASE ASS"Y UNITED STATES 5050792 AND UP AUSTRALIA 8054755 AND UP CANADA 7118923 AND UP
2	27-53862	■	2	GASKET, CRANKCASE TO CYLINDER BLOCK
3	66517		5	RESTRICTION, CRANKCASE BLEED
4	16-64280		6	STUD, CARBURETOR MOUNTING (1 3/16")
5	16-64281		2	STUD CRANKCASE TO EXHAUST EXTENSION PLATE (1 7/8")
6	17-20033		2	PIN, DOWEL-CRANKCASE TO CYLINDER BLOCK
7	17-63779		3	PIN, DOWEL-CYLINDER BOLCK TO MAIN BEARING
8	16-64282		6	STUD CYLINDER BLOCK TO DRIVE SHAFT HOUSING PLATE (4")
9	56029		1	COVER, STARTER MOTOR BRACKET-TOP
10	10-69762		1	SCREW, TOP COVER ATTACHING (1 3/8")
	10-69267		1	SCREW, TOP COVER ATTACHING (1 3/4")
11	13-26993		2	LOCKWASHER, TOP COVER SCREWS
13	76867		1	COVER SARTERMOTOR BRACKET-BOTTOM
14	10-69268		2	SCREW, BOTTOM COVER ATTACHING (17/8")
15	13-26993		2	LOCKWASHER,BOTTOM COVER SCREW
17	10-57841		3	SCREW,CRANKCASE TO CYLINDER BLOCK(2 3/4")
	10-32293		2	SCREW,CRANKCASE TO CYLINDER BLOCK(1 3/4")
	10-73657		20	SCREW,CRANKCASE TO CYLINDER BLOCK(1 1/2")
18	12-22753		25	WASHER CRANKCASE TO CYLINDER BLOCK SCREWS
19	11-29250		2	NUT CRANKCASE TO CYLINDER BLOCK SCREWS(LOWER)
20	10-20359		2	SCREW,CENTER MAIN BEARING LOCKING
21	14-20091		2	TAB WASHER,BEARING LOCKING SCREW
22	58124A4		1	SWITCH,MERCURY
23	10-69235		1	SCREW SWITCH TO FRONT MOUNTING BRACKET(1/2")
24	10-62568		1	SCRWE,MERCURY SEITCH LEAD
25	21-77560		1	CHECK VALVE,BLEED HOSE-UPPER
26	32-54936		1	HOSE,BLEED (22")
27	21-77561		1	CHECK VALVE,BLEED HOSE-LOWER
28	22-20781		2	ELBOW,BALANCE HOSE
29	32-34395A1		2	HOSE,BALANCE-MAIN BEARING (6 1/4")
30	22-78742		1	TEE,BALANCE HOSE
-	27-60476A75		0	GASKET SET

FOR REPLACEMENT OF POWERHEAD ASSEMBLY, COMPLETE, WHICH INCLUDES CYLINDER BLOCK AND CRANKCASE, PISTONS, CONNECTING RODS, AND BEARINGS, ETC. ORDER:

A-[64816A78] POWERHEAD ASSEMBLY - SERIAL GROUP #1 A-[86251A78] POWERHEAD ASSEMBLY - SERIAL GROUP #2

■ = CONTENTS OF C-[27-60476A75] GASKET SET

END CAP, MANIFOLD AND EXHAUST COVERS



END CAP, MANIFOLD AND EXHAUST COVERS

REF. NO.	PART NO.	SYM.	QTY.	DESCRIPTION
1	852-6686A1		1	CYLINDER BLOCK AND CRANKCASE ASS'Y UNITED STATES 5050791 AND BELOW AUSTRALIA 8054754 AND BELOW CANADA 7118922 AND BELOW
	852-7405A3		1	CYLINDER BLOCK AND CRANKCASE ASS'Y UNITED STATES 5050792 AND UP AUSTRALIA 8054755 AND UP CANADA 7118923 AND UP
2	1134-3197A1		1	END CAP ASSEMBLY
3	26-29476		1	OIL SEAL, END CAP
4	25-47254	■	1	"O" RING
5	15-47248A1		AR	SHIM, END CAP TO CRANKCASE (.006-8-10)
6	10-69034		4	SCREW, END CAP MOUNTING
7	1148-5410A1		1	END CAP ASSEMBLY, LOWER
9	26-29476		2	OIL SEAL, END CAP
10	25-32546	■	1	"O" RING, END CAP
11	15-20085A1		AR	SHIM, END CAP TO CRANKCASE (.002-3-5-10)
12	10-69034		3	SCREW, END CAP MOUNTING (1")
13	71808		1	COVER, WATER JACKET-CYLINDER BLOCK
14	27-72142	■	1	GASKET, WATER JACKET COVER
15	10-53167		23	SCREW WATER JACKET COVER TO CYLINDER BLOCK (7/8")
16	12-70132		23	WASHER WATER JACKET COVER FASTENING SCREW
17	27-72507	■	1	GASKET, CYLINDER BLOCK TO BAFFLE PLATE
18	75778		1	PLATE, BAFFLE-EXHAUST MANIFOLD
19	27-72509	■	1	GASKET BAFFLE PLATE TO EXHAUST MANIFOLD COVER
20	79019		1	COVER, EXHAUST MANIFOLD
21	10-53576		24	SCREW, MANIFOLD COVER MOUNTING
22	22-32802		1	PLUG, PIPE - EXHAUST MANIFOLD COVER
23	1023-5070		1	COVER, CYLINDER BLOCK
24	27-72506	■	1	GASKET, CYLINDER BLOCK COVER
25	10-69100		16	SCREW, COVER MOUNT (1")
27	22-68307		1	PLUG, PIPE - CYLINDER BLOCK COVER
28	37440		1	BRACKET, MOUNT SUPPORT - CYLINDER BLOCK
29	10-24234		1	SCREW, BRACKET TO CYLINDER BLOCK (1")
30	62301		2	COVER, TRANSFER PORT (TOP/MIDDLE)
	66094		1	COVER, TRANSFER PORT (BOTTOM)
31	27-64941	■	1	GASKET, TRANSFER PORT COVER
32	10-69100		16	SCREW, TRANSFER PORT COVER MOUNTING (1")
	10-28636		11	SCREW, TRANSFER PORT COVER MOUNTING (3/4")
33	76367		1	POINTER, TIMING
34	10-28636		1	SCREW, TIMING POINTER ATTACHING (3/4")
35	12-35462		1	WASHER, TIMING POINTER SCREW
36	46933A3		2	GROUND STRAP ASSEMBLY, EXHAUST COVER
37	10-62568		2	SCREW, GROUND STRAP ATTACHING (3/8")
-	27-60476A75		0	GASKET SET

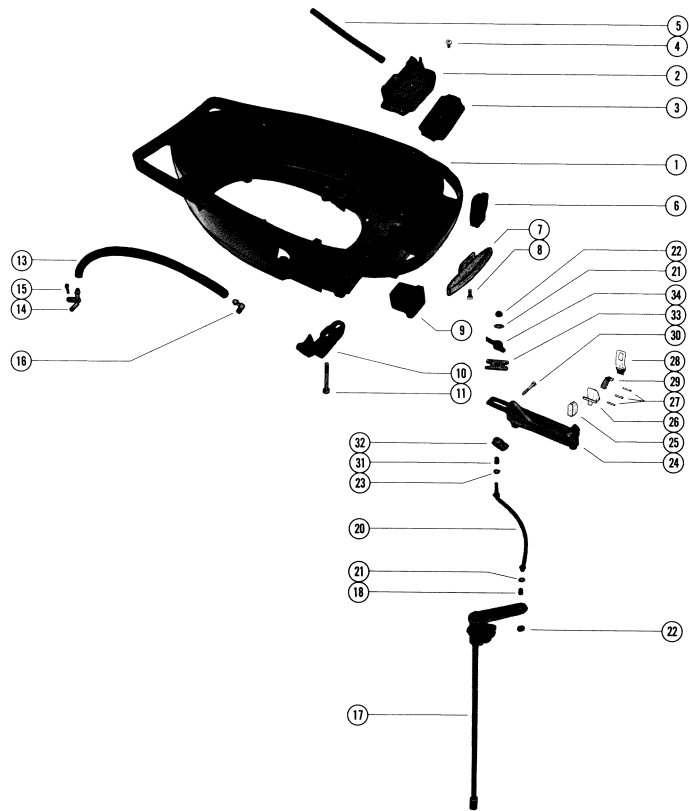
■ = CONTENTS OF C-[27-60476A75] GASKET SET

CRANKSHAFT, PISTONS AND CONNECTING RODS

REF. NO.	PART NO.	SYM.	QTY.	DESCRIPTION
1	436-6646A2		1	CRANKSHAFT ASSEMBLY
3	30-62567		1	BEARING, BALL - UPPER
4	30-63742		1	BEARING, BALL - LOWER
5	54196A6		1	CARRIER ASSEMBLY, "O" RING
6	65800	■	1	"O" RING, CARRIER
7	535-5397A4		2	CENTER MAIN BEARING ASSEMBLY
8	17-20032		4	DOWEL PIN, CENTER MAIN BEARING
9	29-52168		112	BEARING, NEEDLE - OUTER RACE
10	26113		2	RACE, OUTER (PAIR)
11	53-26933		2	RING, SNAP - OUTER RACE
12	17-47246		2	DOWEL PIN, STEPPED
13	10-22968		4	SCREW, CENTER MAIN BEARING CLAMPING
14	11-46887		4	NUT, BEARING CLAMPING SCREW
15	540-5266A5		3	MAIN BEARING ASSEMBLY, VALVE TYPE
16	17-20032		6	DOWEL PIN, MAIN BEARING
17	10-45775		6	SCREW, MAIN BEARING CLAMPING
18	11-45774		6	NUT, MAIN BEARING CLAMPING SCREW
19	34-56007A1		3	REED SET, MATCHED - MAIN BEARING
20	34-56008		12	REED STOP, MAIN BEARING REED VALVES
21	10-62204		30	SCREW, REED STOP MOUNTING
22	11-53153		30	NUT, REED STOP SCREW
23	745-6661A4		6	PISTON AND PISTON PIN ASSEMBLY
24	40-52035		12	LOCK RING, PISTON PIN
25	39-78816A12		2	RING, PISTON
26	622-4850A3		6	CONNECTING ROD AND CAP ASSEMBLY
27	31-62596A1		6	BEARING ASSEMBLY, CRANKPIN
28	10-54803		12	SCREW, CONNECTING ROD
29	11-49091		12	NUT, CONNECTING ROD SCREW
30	29-47270		174	BEARING, NEEDLE - PISTON PIN
31	12-47247		12	WASHER, NEEDLE LOCATING
-	745-6696A2		6	PISTON AND PISTON PIN ASSEMBLY (.015 OVERSIZE)
-	39-78811A12		2	RING, PISTON (.015 OVERSIZE)
-	27-60476A75		0	GASKET SET

■ = CONTENTS OF C-[27-60476A75] GASKET SET

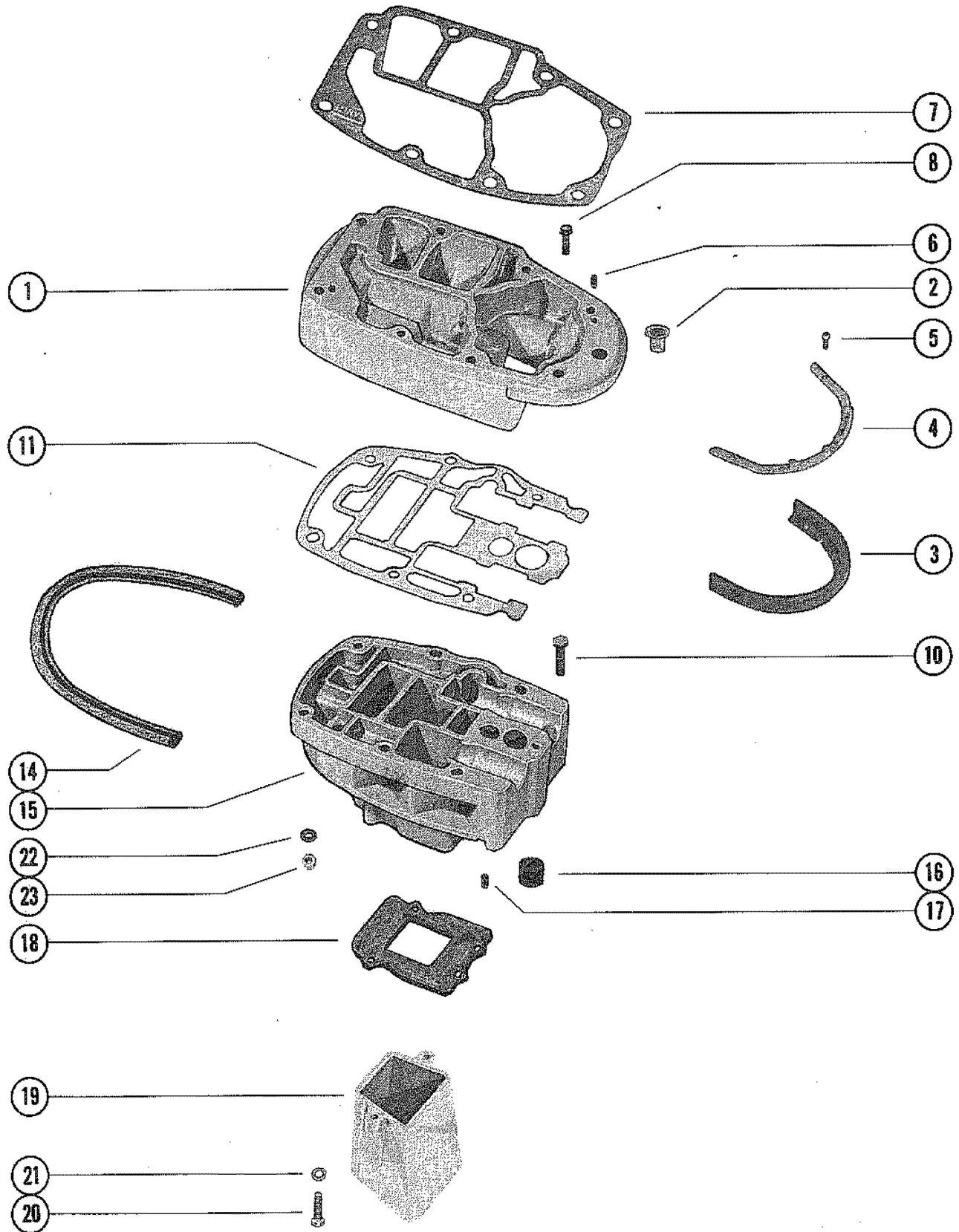
BOTTOM COWL AND SHIFT LINKAGE



BOTTOM COWL AND SHIFT LINKAGE

REF. NO.	PART NO.	SYM.	QTY.	DESCRIPTION
1	2115-6462		1	COWL, BOTTOM
2	52862A2		1	DRIP TRAY ASSEMBLY, BOTTOM COWL
3	37940		1	PAD, SOUND - DRIP TRAY
4	10-48408		4	SCREW, DRIP TRAY TO BOTTOM COWL (1/2")
5	32-34395A1		1	HOSE, DRIP TRAY TO BOTTOM COWL (8")
6	39616		1	CONTROL CABLES - BOTTOM COWL
7	76369		1	SPACER, BOTTOM COWL (COWL FRONT COVER)
8	10-48591		2	SCREW, SPACER TO BOTTOM COWL (1/2")
9	37637		1	BOOT, FUEL CONNECTOR - BOTTOM COWL
10	37445		1	SUPPORT, WIRING HARNESS - BOTTOM COWL
11	10-69029		2	SCREW, SUPPORT TO BOTTOM COWL (1 3/4")
13	32-34395A1		1	HOSE TELL TALE - EXHAUST COVER TO BOTTOM COWL (21 1/2")
14	52889		1	NOZZLE, TELL TALE HOSE TO BOTTOM COWL
15	10-48408		1	SCREW TELL TALE NOZZLE TO BOTTOM COWL (1/2")
16	22-78279		1	ELBOW, TELL TALE HOSE TO CYLINDER BLOCK
17	60304A54		1	SHIFT SHAFT ASSEMBLY, UPPER
18	23-26600		1	BUSHING, SHIFT SHAFT
20	48047A1		1	LINK ROD ASSEMBLY
21	12-35462		2	WASHER, LINK ROD
22	11-36069		2	NUT, LINK ROD
23	13-29720		1	WASHER, WAVE - LINK ROD
24	52732		1	BRACKET, ANCHOR - CONTROL CABLES
25	39519		1	CAP, BARREL RETAINER - ANCHOR BRACKET
26	39618		1	LEVER, NYLON - SHIFT CABLE LOCKING
27	17-47175		3	PIN, LOCKING LEVER AND COVER FASTENING
28	39667		1	COVER, NYLON - SHIFT CABLE
29	65799		1	LINK, LOCKING LEVER TO COVER
30	10-24234		3	SCREW ANCHOR BRACKET TO CYLINDER BLOCK (1")
31	24-20099		1	SPRING, LINK ROD TO GUIDE BLOCK
32	37896		1	GUIDE BLOCK, LINK ROD
33	52100		1	WEAR PLATE, LINK ROD
34	38279		1	LATCH CONTROL CABLE FASTENING - ANCHOR BRACKET

EXHAUST EXTENSION PLATE

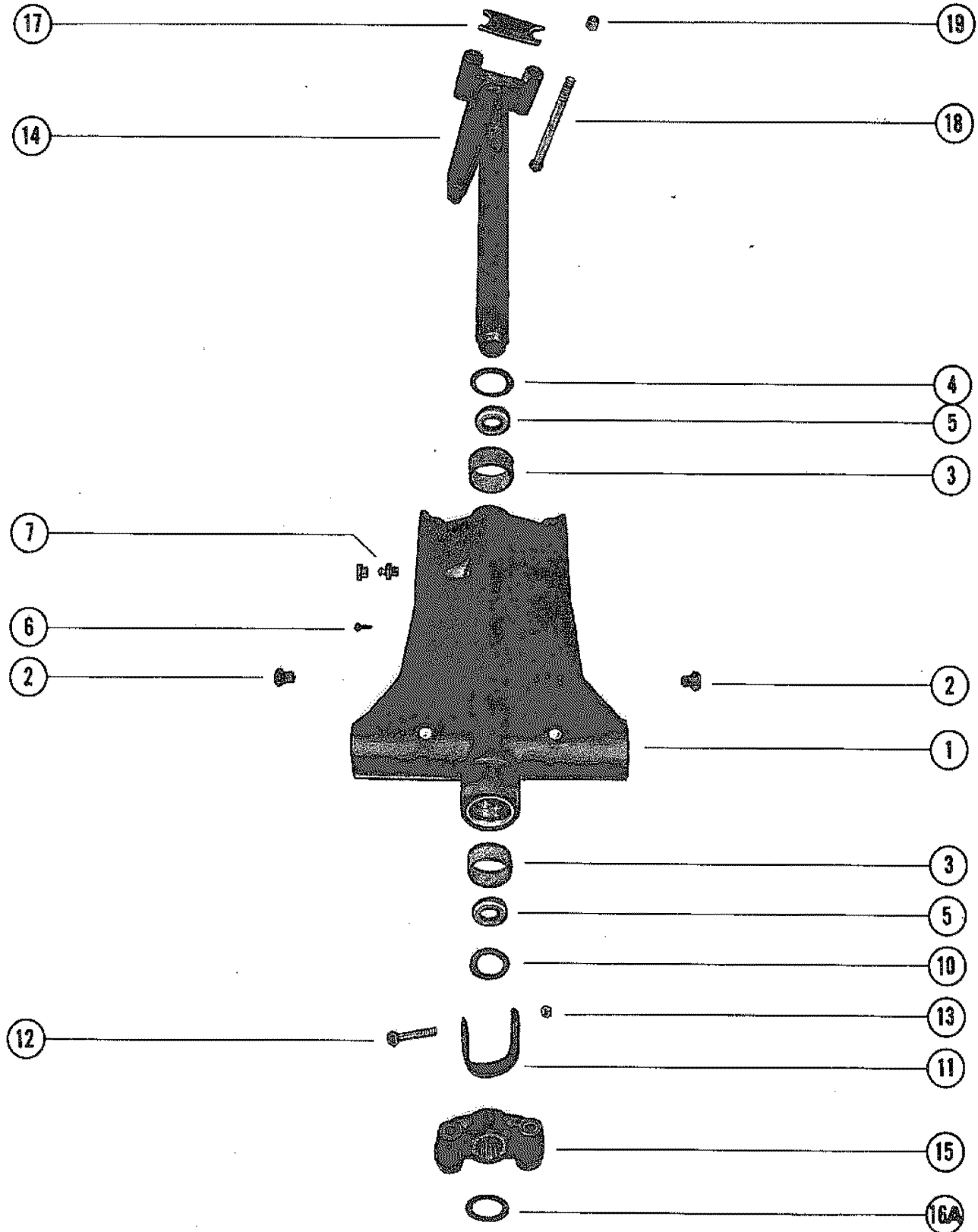


EXHAUST EXTENSION PLATE

REF. NO.	PART NO.	SYM.	QTY.	DESCRIPTION
1	66096A1		1	PLATE ASSEMBLY, EXHAUST EXTENSION
2	23-27132		1	BUSHING, NYLON - EXHAUST EXTENSION PLATE
3	37918		1	SEAL, EXHAUST EXTENSION PLATE
4	38032		1	STRIP RETAINING - EXHAUST EXTENSION PLATE SEAL
5	10-37571		5	SCREW SEAL AND RETAINING STRIP TO EXT. PLATE (1/2")
6	17-23784		2	DOWL PIN, EXHAUST EXTENSION PLATE
7	27-69238	■	1	GASKET, POWERHEAD TO EXTENSION PLATE
8	10-66023		2	SCREW, ADAPTOR PLATE HOUSING PLATE (2")
10	10-66023		7	SCREW HOUSING PLATE TO DRIVE SHAFT HSG. (2")
11	27-66102	■	1	GASKET, PLATE TO DRIVE SHAFT HSG. PLATE
14	26-60898		1	SEAL, DRIVE SHAFT HOUSING PLATE
15	74257A3		1	PLATE ASSEMBLY, DRIVE SHAFT HOUSING
16	26-38970	■	1	SEAL, RUBBER - WATER INLET TUBE
17	17-23784		2	DOWEL PIN, DRIVE SHAFT HOUSING PLATE
18	27-62362	■	1	GASKET MEGAPHONE TO DRIVE SHAFT HOUSING PLATE
19	60437		1	MEGAPHONE, EXHAUST
20	10-60480		3	SCREW MEGAPHONE TO DRIVE SHAFT HOUSING PLATE (1 1/8")
21	12-29245		3	WASHER, MEGAPHONE SCREW
22	12-25970		6	WASHER, POWERHEAD STUD
23	11-34932		6	NUT, POWERHEAD STUD
-	27-60476A75		0	GASKET SET

■ = CONTENTS OF C-[27-60476A75] GASKET SET

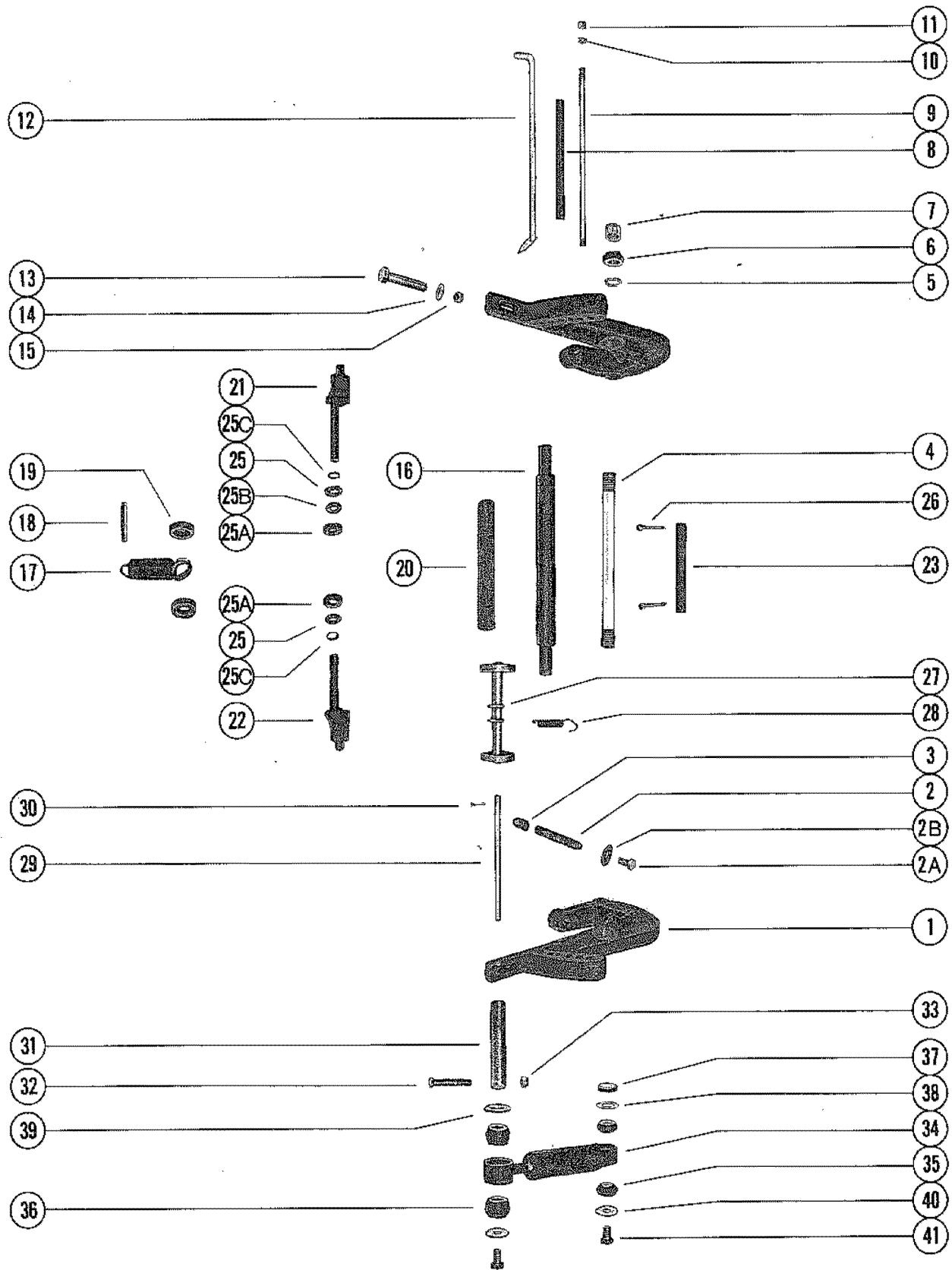
SWIVEL BRACKET ASSEMBLY



SWIVEL BRACKET ASSEMBLY

REF. NO.	PART NO.	SYM.	QTY.	DESCRIPTION
1	1482-6386A4		1	SWIVEL BRACKET ASSEMBLY
2	23-69132		2	BUSHING, REVERSE LOCK PIVOT SHAFT
3	23-69341		2	BUSHING, SWIVEL BRACKET
4	12-69342		1	WASHER, SWIVEL PIN - UPPER
5	26-37448		2	OIL SEAL, SWIVEL BRACKET
6	10-47828		1	SCREW, DRIVE - SWIVEL BRACKET
7	22-74036		4	FITTING, GREASE - SWIVEL BRACKET
10	12-69380		1	WASHER, SWIVEL PIN - LOWER
11	28205		1	STRAP STOP DRIVE SHAFT HOUSING TO SWIVEL BRACKET
12	10-28200		1	SCREW STRAP STOP TO DRIVE SHAFT HOUSING (2 7/8")
13	11-25269		1	NUT, STRAP STOP FASTENING SCREW
14	17-73593A1		1	SWIVEL PIN AND ARM ASSEMBLY
15	73984		1	YOKE, BOTTOM
16A	53-73591		1	RETAINING RING, BOTTOM YOKE ATTACHING
17	28203		1	BUMPER, STEERING ARM
18	10-49554		2	BOLT, STEERING ARM TO UPPER MOUNT (5 7/8")
19	11-34933		2	NUT, STEERING ARM BOLT FASTENING

CLAMP BRACKET AND REVERSE LOCK



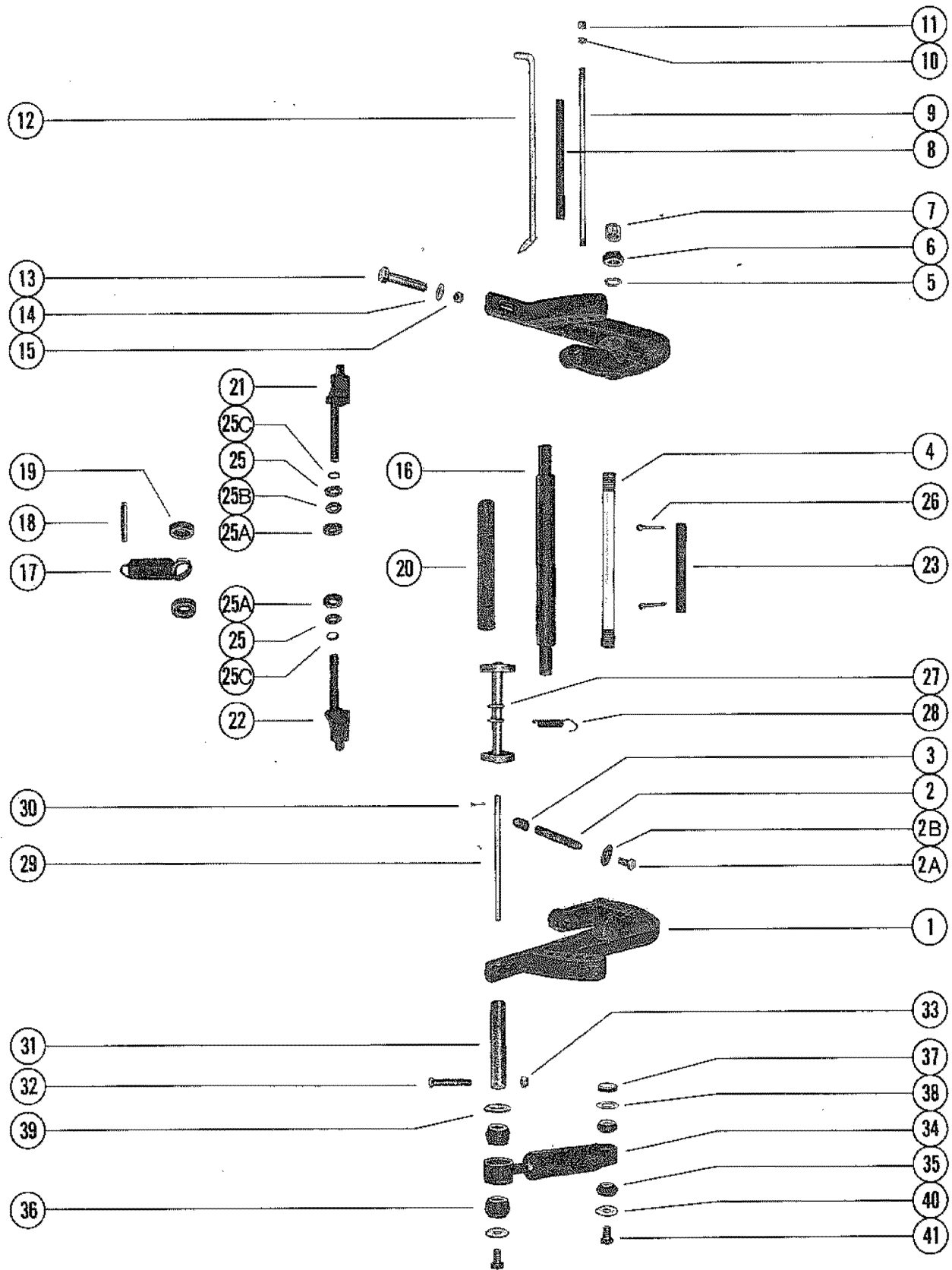
CLAMP BRACKET AND REVERSE LOCK

REF. NO.	PART NO.	SYM.	QTY.	DESCRIPTION
1	1440-6625A3		2	CLAMP BRACKET ASSEMBLY
2	10-78492A1		2	THUMB SCREW ASSEMBLY
2A	10-78495		2	SCREW, WASHER ATTACHING
2B	12-78493		2	WASHER, THUMB SCREW
3	75043		2	CAP, THUMB SCREW
4	74528		1	TUBE, TILT - CLAMP BRACKET TO SWIVEL BRACKET
5	12-52864		2	WASHER, CLAMP BRACKET TILT TUBE
6	11-56041		2	NUT, TILT TUBE FASTENING
7	53078		2	CAP, PLASTIC - TILT TUBE
8	23-59624		1	SPACER, CLAMP BRACKET STUD
9	16-59625		1	STUD CLAMP BRACKET (NOT USED WITH FULL POWER TRIM)
10	13-26993		2	LOCKWASHER, CLAMP BRACKET STUD
11	11-28770		2	NUT, CLAMP BRACKET STUD
12	17-49930A1		1	TILT LOCK PIN ASSEMBLY (NOT USED WITH FULL POWER TRIM)
13	10-68298		2	BOLT, CLAMP BRACKET TO BOAT TRANSOM (LOWER)
	10-68299		2	BOLT, CLAMP BRACKET TO BOAT TRANSOM (UPPER)
14	12-68410		2	WASHER, CLAMP BRACKET BOLT (LOWER)
	12-68300		2	WASHER, CLAMP BRACKET BOLT (UPPER)
15	11-68411		4	NUT, CLAMP BRACKET BOLT
16	55-28416		1	PIN, UPPER SHOCK MOUNTING
17	24-28659		1	SPRING, COIL - SWIVEL BRACKET (NOT USED WITH FULL POWER TRIM)
18	17-38311		1	PIN, COIL SPRING MOUNTING (NOT USED WITH FULL POWER TRIM)
19	23-28688		2	SPACER, RUBBER - COIL SPRING POSITIONING (NOT USED WITH FULL POWER TRIM)
20	63473		1	TUBE CUSHION - SHOCK PIN(USED WITH FULL POWER TRIM)
21	76386		1	TILT LOCK ASSEMBLY (STARBOARD)
22	76385		1	TILT LOCK ASSEMBLY (PORT)
23	76387		1	TUBE, TILT LOCK
25	13-69150		1	WASHER WAVE - TILT LOCK (STARBOARD SIDE ONLY)
25A	26-22734		2	OIL SEAL, SWIVEL BRACKET (TILT LOCK)
25B	12-76388		1	WASHER, TILT LOCK (STARBOARD SIDE ONLY)
25C	25-62702	■	2	"O" RING, TILT LOCK
26	18-47959		2	COTTER PIN, TILT LOCK
27	70692		1	REVERSE LOCK ASSEMBLY (NOT USED WITH FULL POWER TRIM)
28	24-78203A1		1	SPRING, REVERSE LOCK TENSION (NOT USED WITH FULL POWER TRIM)
29	56349		1	SHAFT, REVERSE LOCK PIVOT (NOT USED WITH FULL POWER TRIM)

■ = CONTENTS OF C-[27-60476A75] GASKET SET

CONTINUED ON NEXT PAGE ➡

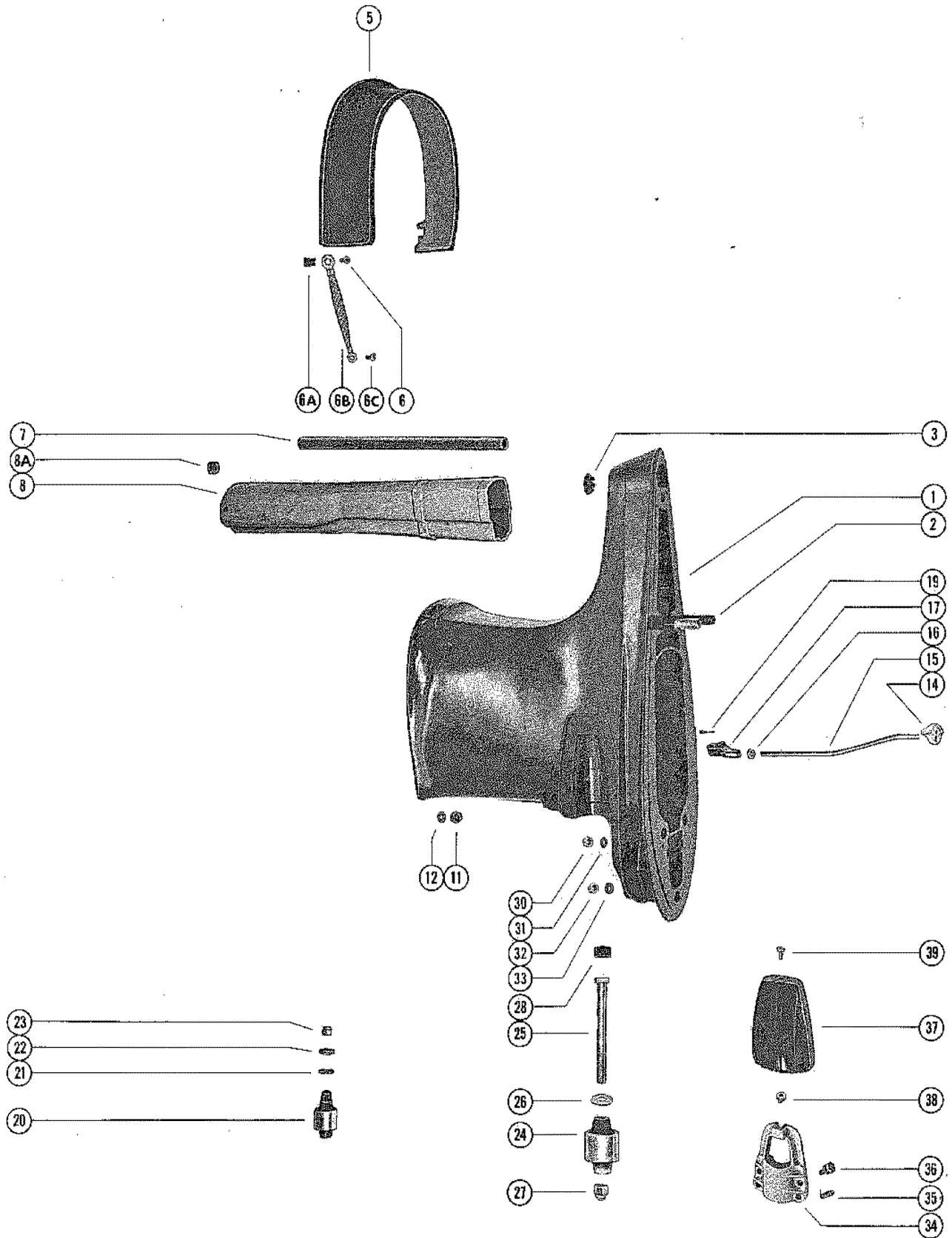
CLAMP BRACKET AND REVERSE LOCK



CLAMP BRACKET AND REVERSE LOCK

REF. NO.	PART NO.	SYM.	QTY.	DESCRIPTION
30	18-45882		1	COTTER PIN, REVERSE LOCK TO SHAFT (NOT USED WITH FULL POWER TRIM)
31	55-28414		2	PIN, LOWER SHOCK MOUNTING
32	10-21937		2	SCREW, LOWER SHOCK PIN
33	11-46887		2	NUT, LOWER SHOCK PIN SCREW
34	55-58780A2		2	SHOCK ABSORBER (NOT USED WITH FULL POWER TRIM)
35	23-32171		4	BUSHING, RUBBER - SHOCK ABSORBER (UPPER) (NOT USED WITH FULL POWER TRIM)
36	23-28196		4	BUSHING, RUBBER - SHOCK ABSORBER (LOWER)
37	23-73203		2	SPACER UPPER SHOCK BUSHING TO CLAMP BRACKET
38	12-28196		2	WASHER, UPPER BUSHING RETAINER (INNER)
39	12-59378		2	WASHER, LOWER BUSHING RETAINER (INNER)
40	12-69374		4	WASHER UPPER AND LOWER BUSHING RETAINER (OUTER)
41	10-69375		4	SCREW, UPPER AND LOWER SHOCK MOUNTING PIN
-	27-60476A75		0	GASKET SET

DRIVE SHAFT HOUSING ASSEMBLY

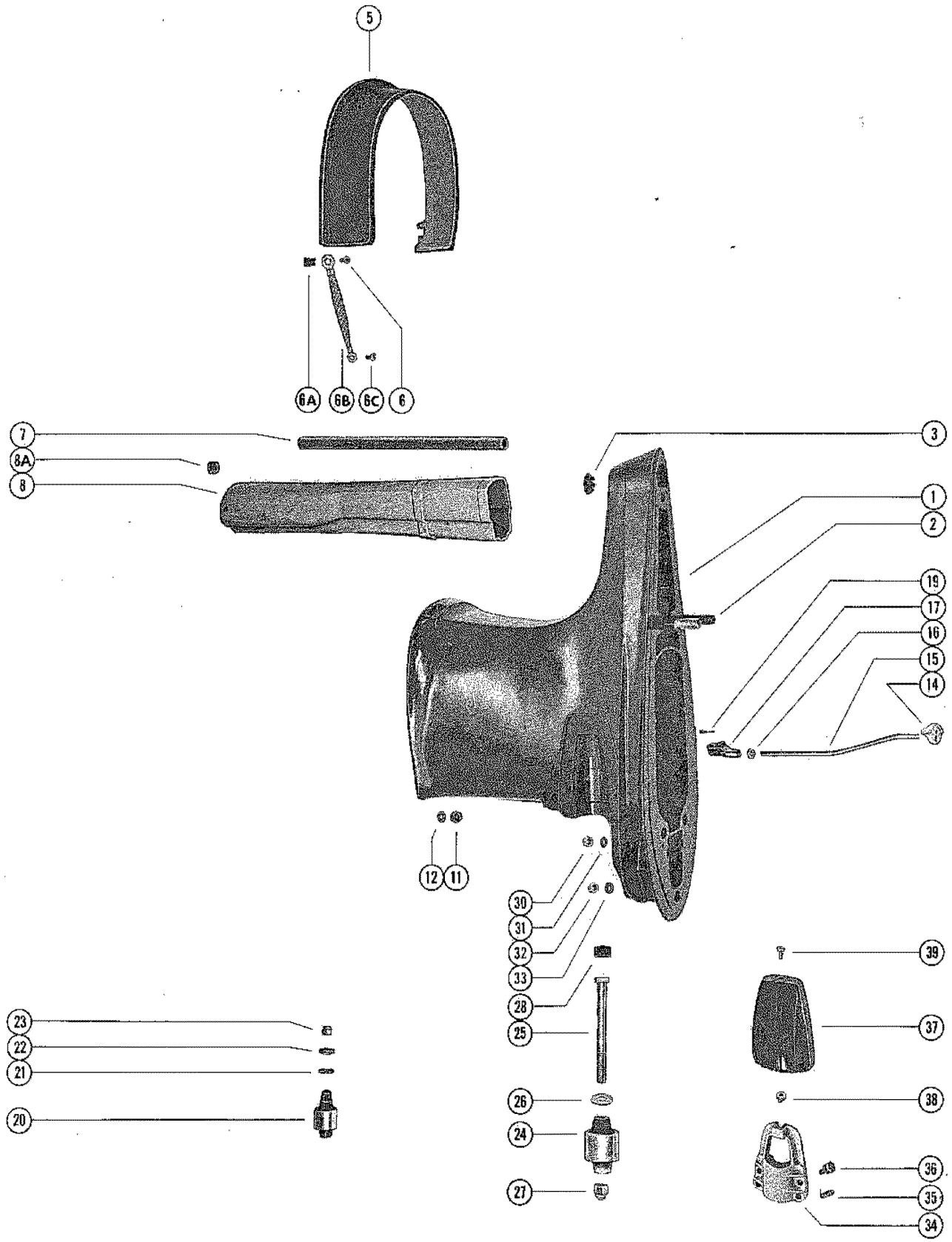


DRIVE SHAFT HOUSING ASSEMBLY

REF. NO.	PART NO.	SYM.	QTY.	DESCRIPTION
1	1573-5239A4		1	DRIVE SHAFT HOUSING ASSEMBLY
2	16-56295		2	STUD, DRIVE SHAFT HOUSING (LONG SHAFT)
	16-77168		2	STUD, DRIVE SHAFT HOUSING (EXTRA LONG SHAFT)
3	19-64649		1	PLUG, PLASTIC - TRIM TAB SCREW HOLE
5	37417		1	COVER, TRIM - DRIVE SHAFT HOUSING
6	10-57807		4	SCREW, TRIM COVER TO BOTTOM COWL
6A	25-57806		4	GROMMET, PLASTIC - TRIM COVER SCREW
6B	46933A2		2	GROUND STRAP ASSEMBLY, TRIM COVER SCREW
6C	10-62568		2	SCREW, GROUND STRAP ATTACHING
7	32-60897		1	TUBE, WATER INLET (LONG SHAFT)
	32-77121		1	TUBE, WATER INLET (EXTRA LONG SHAFT)
8	78184		1	TUBE, EXHAUST
8A	65638		2	BOOT, RUBER MOUNT
11	11-69254		2	NUT, POWERHEAD STUDS (3/4-24)
12	12-25970		2	WASHER, POWERHEAD STUDS
14	52887		1	GUIDE, PUSH ROD - REVERSE LOCKING (NOT USED WITH FULL POWER TRIM)
15	47558		1	ROD, PUSH - REVERSE LOCK (NOT USED WITH FULL POWER TRIM)
16	11-47661		1	NUT, JAM - PUSH ROD (NOT USED WITH FULL POWER TRIM)
17	47559		1	YOKE, PUSH ROD (NOT USED WITH FULL POWER TRIM)
19	18-25191		1	COTTER PIN, PUSH ROD PIN (NOT USED WITH FULL POWER TRIM)
20	75296		2	MOUNT, RUBBER - UPPER
21	12-47840		2	WASHER, RUBBER - UPPER MOUNT BOLT
22	12-31263		2	WASHER, UPPER MOUNT BOLT
23	11-34933		2	NUT, UPPER MOUNT BOLT
24	75299		2	MOUNT, RUBBER - LOWER
25	10-49318		2	SCREW, LOWER MOUNT (5 1/2")
26	12-49339		2	WASHER, LOWER MOUNT SCREW
27	11-25096		2	NUT, LOWER MOUNT SCREW
28	25067		2	BUMPER, RUBBER - LOWER MOUNTING SCREW
30	11-34933		2	NUT GEAR HOUSING AND DRIVE SHAFT HOUSING STUDS
31	12-45176		2	WASHER GEAR HOUSING TO DRIVE SHAFT HOUSING STUDS
32	11-29489		1	NUT GEAR HOUSING AND DRIVE SHAFT HOUSING STUDS
33	12-45176		1	WASHER GEAR HOUSING TO DRIVE SHAFT HOUSING STUDS
34	35608		2	CLAMP, LOWER MOUNT TO DRIVE SHAFT HOUSING
35	24-35522		4	SPRING, TENSION - LOWER MOUNT CLAMP
36	10-29256		4	SCREW LOWER MOUNT CLAMP TO DRIVE SHAFT HOUSING

CONTINUED ON NEXT PAGE ➡

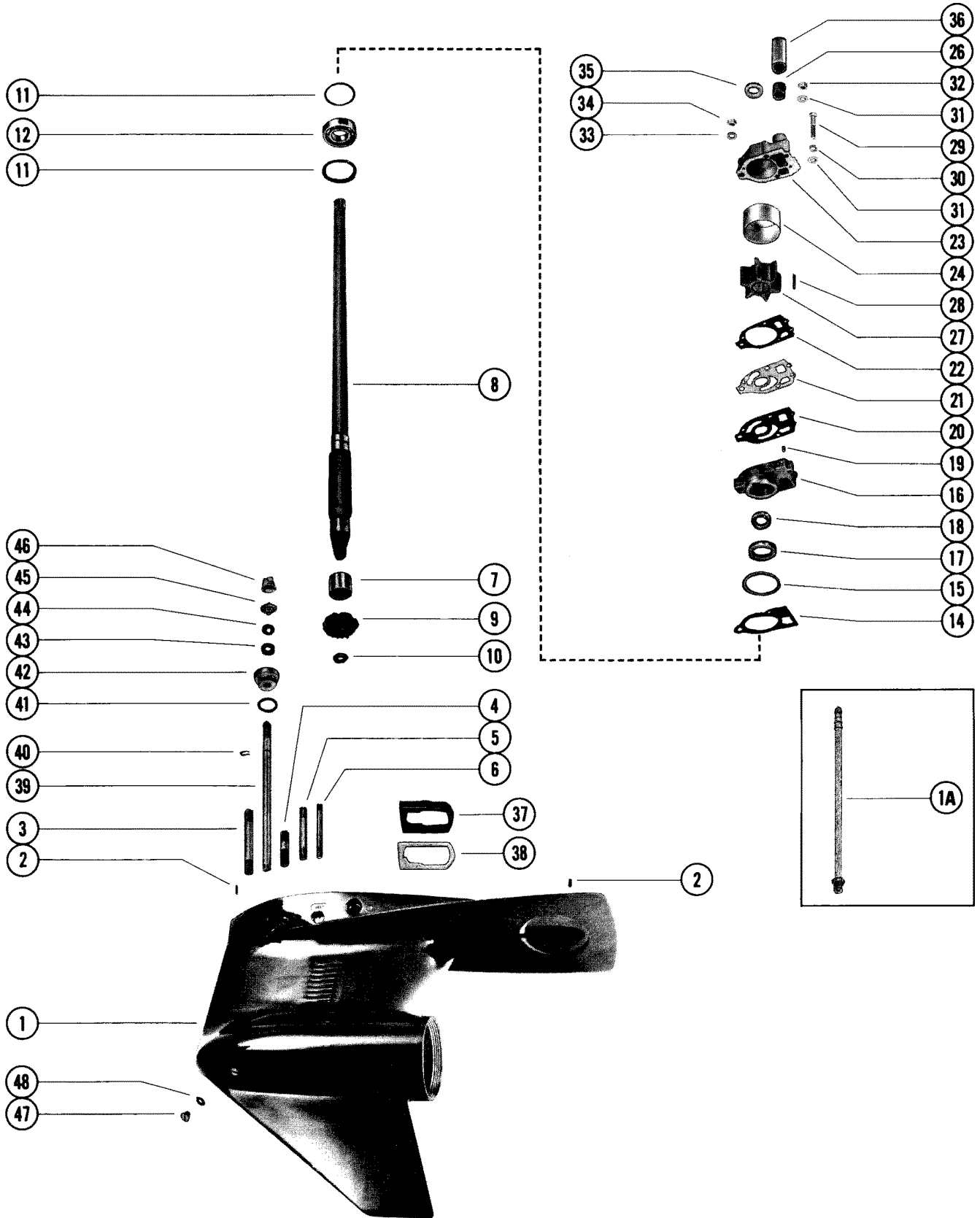
DRIVE SHAFT HOUSING ASSEMBLY



DRIVE SHAFT HOUSING ASSEMBLY

REF. NO.	PART NO.	SYM.	QTY.	DESCRIPTION
37	35474		2	COVER, LOWER MOUNT CLAMP
38	11-35521		2	NUT, LOWER MOUNT CLAMP COVER
39	10-29722		2	SCREW, COVER TO LOWER CLAMP MOUNT
-	77120		1	SPACER, DRIVE SHAFT HOUSING EXTRA LONG SHAFT
-	17-21433		2	DOWEL PIN, SPACER EXTRA LONG SHAFT

GEAR HOUSING ASSEMBLY, COMPLETE (PAGE 1)



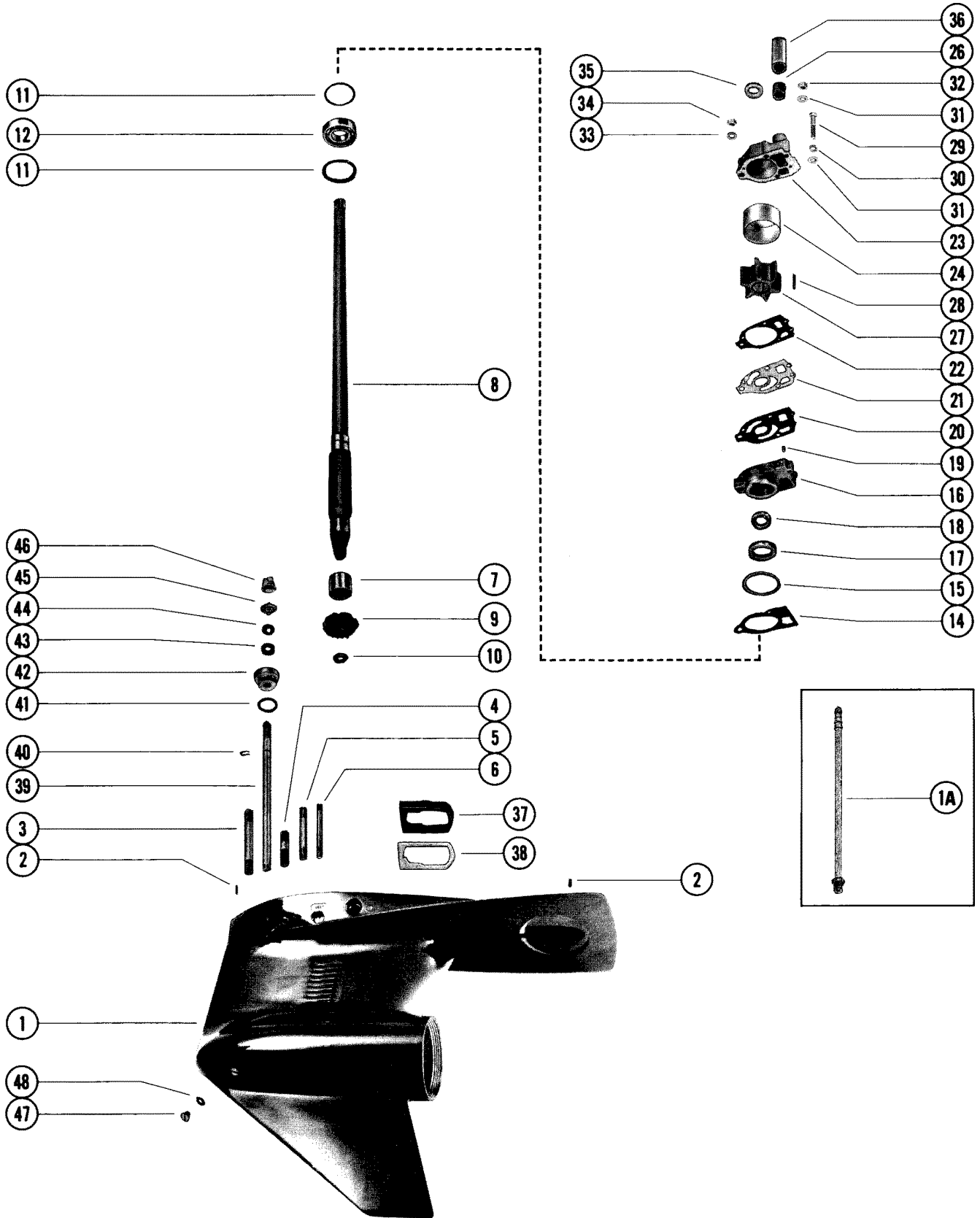
GEAR HOUSING ASSEMBLY, COMPLETE (PAGE 1)

REF. NO.	PART NO.	SYM.	QTY.	DESCRIPTION
-	1623-6053A15		1	GEAR HOUSING ASS'Y, COMP. (LONG SHAFT) SEE NOTE BELOW UNITED STATES 5168573 AND BELOW AUSTRALIA 8056944 AND BELOW CANADA 7123762 AND BELOW
-	1655-7333A24		1	GEAR HOUSING ASS'Y, COMP. (LONG SHAFT) SEE NOTE BELOW UNITED STATES 5168574 AND UP AUSTRALIA 8056945 AND UP CANADA 7123763 AND UP
-	1655-7333A26		1	GEAR HOUSING ASS'Y. COMP.(EXTRA LONG SHAFT) SEE NOTE BELOW UNITED STATES 5168574 AND UP AUSTRALIA 8056945 AND UP CANADA 7123763 AND UP
1	1623-6053A5		1	GEAR HOUSING ASS'Y UNITED STATES 5168573 AND BELOW AUSTRALIA 8056944 AND BELOW CANADA 7123762 AND BELOW
	1655-7333A23		1	GEAR HOUSING ASS'Y UNITED STATES 5168574 AND UP AUSTRALIA 8056945 AND UP CANADA 7123763 AND UP
1A	22-85822A1		1	CONNECTOR ASSEMBLY, SPEEDOMETER UNITED STATES 5168574 AND UP AUSTRALIA 8056945 AND UP CANADA 7123763 AND UP
2	17-46912		2	DOWEL PIN, GEAR HOUSING LOCATING
3	16-57921		1	STUD GEAR HOUSING TO DRIVE SHAFT HOUSING (4") - LONG SHAFT
	16-77169		1	STUD GEAR HOUSING TO DRIVE SHAFT HOUSING (9") - EXTRA LONG
4	16-57920		2	STUD GEAR HOUSING TO DRIVE SHAFT HOUSING (1 1/16") - LONG
	16-77173		2	STUD GEAR HOUSING TO DRIVE SHAFT HOUSING (7 1/16") - EXTRA LONG SHAFT
5	16-56297		1	STUD WATER PUMP BASE AND BODY TO GEAR HOUSING (3 3/8")
6	16-30667		2	STUD WATER PUMP BASE AND BODY TO GEAR HOUSING (3 1/8")
7	31-32898		1	BEARING, ROLLER - DRIVE SHAFT
8	45-69251		1	DRIVE SHAFT (LONG SHAFT)
	45-77159		1	DRIVE SHAFT (EXTRA LONG SHAFT)
9	43-68548		1	GEAR, PINION - DRIVE SHAFT
10	11-35921		1	NUT, PINION GEAR TO DRIVE SHAFT
11	23-70412		1	SPACER, BALL BEARING TO BASE
	15-57007A1		AR	SHIM, BALL BEARING TO BASE
12	31-69220		1	ROLLER BEARING, DRIVE SHAFT
14	27-33146	■	1	GASKET, WATER PUMP BASE
15	25-33145	■	1	"O"RING, WATER PUMP BASE
16	46-73804A1		1	WATER PUMP BASE ASSEMBLY
17	26-31489		1	OIL SEAL, WATER PUMP BASE
18	26-31507		1	OIL SEAL, WATER PUMP BASE
19	17-35973		2	DOWEL PIN WATER PUMP BASE TO WATER PUMP BODY
20	27-32433	■	1	GASKET, LOWER WATER PUMP BASE TO FACE PLATE

■ = CONTENTS OF C-[27-60476A75] GASKET SET

CONTINUED ON NEXT PAGE ➡

GEAR HOUSING ASSEMBLY, COMPLETE (PAGE 1)



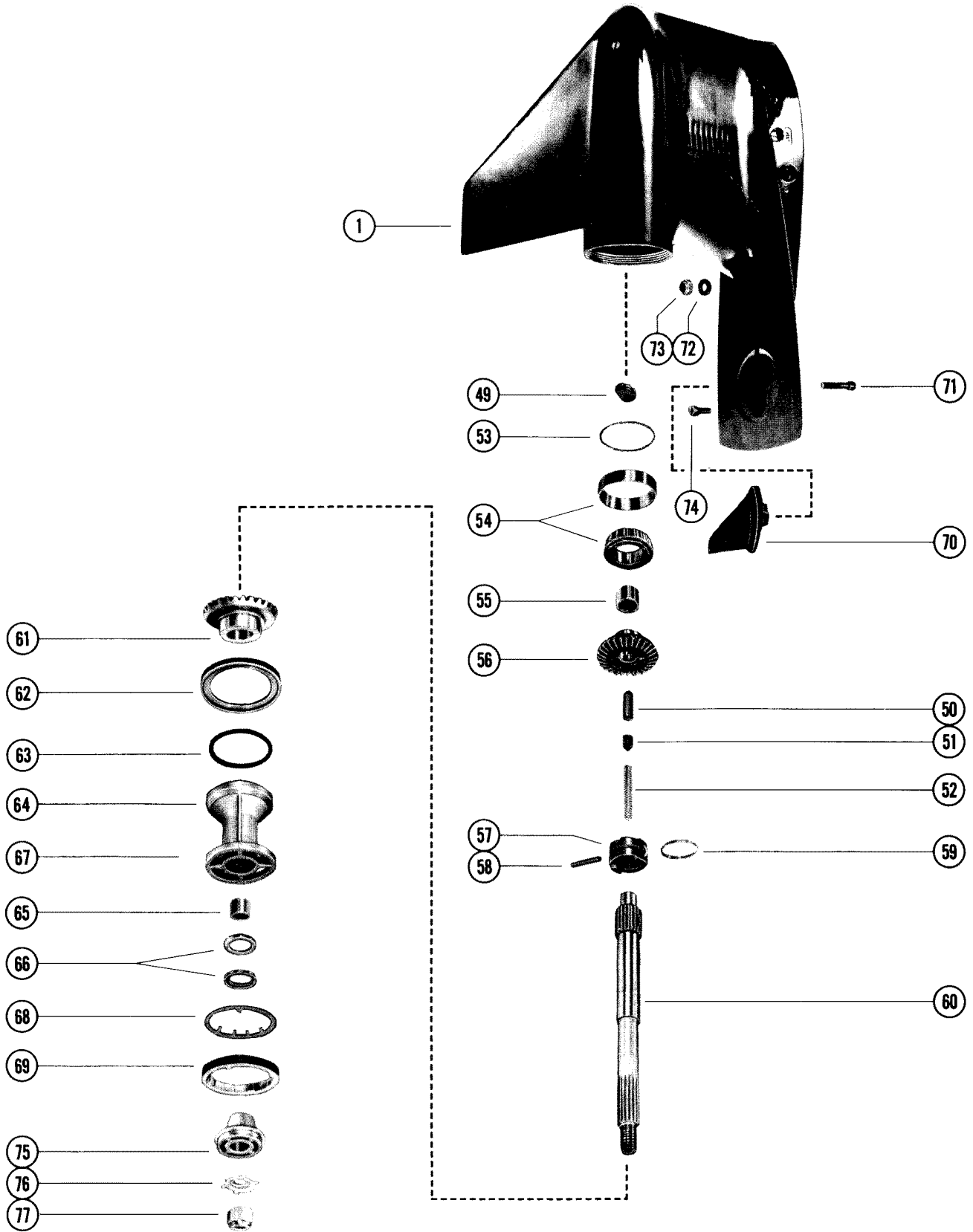
GEAR HOUSING ASSEMBLY, COMPLETE (PAGE 1)

REF. NO.	PART NO.	SYM.	QTY.	DESCRIPTION
21	32435		1	PLATE, FACE WATER PUMP BASE TO WATER PUMP BODY
22	27-32434	■	1	GASKET, UPPER FACE PLATE TO WATER PUMP BODY
23	46-64141A1		1	WATER PUMP BODY ASSEMBLY
24	48752		1	INSERT, WATER PUMP BODY
26	26-38970	■	1	SEAL, RUBBER - WATER INLET TUBE
27	47-65960		1	IMPELLER, WATER PUMP
28	28-56654		1	KEY, IMPELLER DRIVE
29	10-30720		1	SCREW WATER PUMP BODY TO GEAR HOUSING (2 1/4")
30	13-26992		1	LOCKWASHER, WATER PUMP BODY SCREW
31	12-29245		3	WASHER WATER PUMP BODY FASTENING SCREW AND STUD
32	11-35888		2	NUT, WATER PUMP FASTENING SCREW
33	12-36001		1	WASHER, WATER PUMP BODY FASTENING STUD
34	11-35814		1	NUT, WATER PUMP BODY FASTENING STUD
35	25-30271	■	1	RING RUBBER - CENTRIFUGAL SLINGER (DRIVE SHAFT)
36	23-29804		1	SLEEVE, GUIDE - WATER INLET TUBE
37	37641		1	SEAL, EXHAUST ELBOW
38	38051		1	PLATE, SUPPORT - EXHAUST TUBE SEAL
39	77122		1	SHAFT, SHIFT - LOWER(EXTRA LONG SHAFT)
	76062A1		1	SHAFT ASSEMBLY, SHIFT - LOWER (LONG SHAFT)
40	53-29641		1	"E"RING, RETAINING - SHIFT SHAFT
41	25-25439	■	1	"O"RING, SHIFT SHAFT BUSHING
42	23-77631A2		1	BUSHING ASSEMBLY, SHIFT SHAFT
43	26-76384		1	OIL SEAL, SHIFT SHAFT BUSHING
44	12-77674		1	WASHER, RUBBER - SHIFT SHAFT BUSHING
45	39019		1	SPACER LOWER - REVERSE LOCKING NOT USED WITH FULL POWER TRIM
46	39021		1	CAM REVERSE LOCKING NOT USED WITH FULL POWER TRIM
47	10-79953		1	SCREW, GREASE FILLER AND VENT HOLE
	22-67892		1	PLUG, DRAIN (MAGNETIC)
48	12-20260		2	WASHER GREASE FILLER AND VENT HOLE SCREW
-	27-60476A75		0	GASKET SET
-	46-73804A3		0	WATER PUMP REPAIR KIT
-	26-55682A1		0	SEAL REPAIR KIT

THE ENCLOSED GEAR HOUSINGS INCLUDE ALL PARTS FROM REF. #1-#75 AS LISTED UNDER "GEAR HOUSING ASSEMBLY, COMPLETE"

■ = CONTENTS OF C-[27-60476A75] GASKET SET

GEAR HOUSING ASSEMBLY, COMPLETE (PAGE 2)



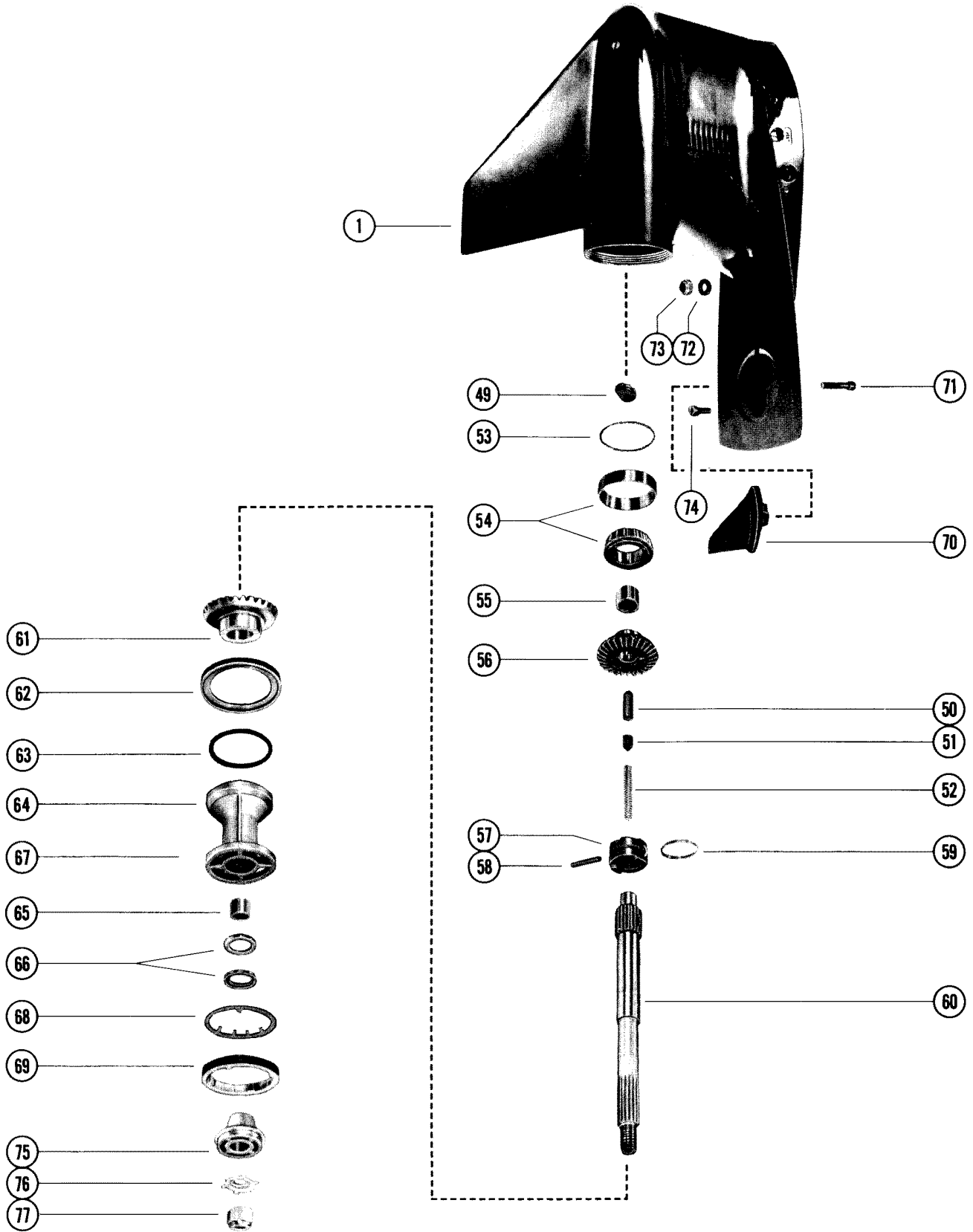
GEAR HOUSING ASSEMBLY, COMPLETE (PAGE 2)

REF. NO.	PART NO.	SYM.	QTY.	DESCRIPTION
-	1623-6053A15		1	GEAR HOUSING ASS'Y. COMP.(LONG SHAFT) SEE NOT BELOW UNITED STATES 5168573 AND BELOW AUSTRALIA 8056944 AND BELOW CANADA 7123762 AND BELOW
-	1655-7333A24		1	GEAR HOUSING ASS'Y. COMP.(LONG SHAFT) SEE NOTE BELOW UNITED STATES 5168574 AND UP AUSTRALIA 8056945 AND UP CANADA 7123763 AND UP
-	1655-7333A26		1	GEAR HOUSING ASS'Y. COMP. (EXTRA LONG SHAFT) SEE NOTE BELOW UNITED STATES 5168574 AND UP AUSTRALIA 8056945 AND UP CANADA 7123763 AND UP
1	1623-6053A5		1	GEAR HOUSING ASS'Y. UNITED STATES 5168573 AND BELOW AUSTRALIA 8056944 AND BELOW CANADA 7123762 AND BELOW
	1655-7333A23		1	GEAR HOUSING ASS'Y UNITED STATES 5168574 AND UP AUSTRALIA 8056945 AND UP CANADA 7123763 AND UP
49	54346		1	CAM, SHIFT UNITED STATES 5168573 AND BELOW AUSTRALIA 8056944 AND BELOW CANADA 7123762 AND BELOW
	76039		1	CAM, SHIFT UNITED STATES 5168574 AND UP AUSTRALIA 8056945 AND UP CANADA 7123763 AND UP
50	30625		1	FOLLOWER, CAM
51	30624		1	SLIDE, CROSS PIN
52	24-30622		1	SPRING, COMPRESSION - CAM FOLLOWER
53	15-30923A1		AR	SHIM BEARING OUTER RACE TO HOUSING (.002-3-5-10)
54	31-30894A1		1	TAPERED ROLLER BEARING ASSEMBLY
55	31-30895		1	BEARING, ROLLER - FORWARD GEAR
56	43-68447		1	FORWARD GEAR
57	52-34239		1	RATCHET, SLIDING GEAR
58	17-30632		1	PIN, CROSS - RATCHET TO PROPELLER SHAFT
59	24-30893		1	SPRING, RETAINING - CROSS PIN
60	44-52542		1	SHAFT, PROPELLER
61	43-76250		1	REVERSE GEAR
62	12-76805		1	WASHER THRUST - BEARING CARRIER TO GEAR HOUSING
63	25-29976	■	1	"O"RING, BEARING CARRIER
64	77520A1		1	BEARING CARRIER ASSEMBLY
65	31-30956		1	BEARING ROLLER - BEARING CARRIER
66	26-76868		2	OIL SEAL, BEARING CARRIER
67	28-30281		1	KEY, LOCATING - BEARING CARRIER
68	14-52700		1	TAB WASHER, GEAR HOUSING COVER
69	52699		1	COVER, GEAR HOUSING
70	31640A1		1	TRIM TAB, GEAR HOUSING
71	10-66024		1	SCREW, TRIM TAB TO GEAR HOUSING (1 3/4")
72	12-45176		2	WASHER GEAR HOUSING TO DRIVE SHAFT HOUSING STUDS
73	11-34933		2	NUT GEAR HOUSING TO DRIVE SHAFT HOUSING STUDS
74	10-65210		1	SCREW GEAR HOUSING TO DRIVE SHAFT HOUSING (1") - LONG SHAFT

■ = CONTENTS OF C-[27-60476A75] GASKET SET

CONTINUED ON NEXT PAGE ➡

GEAR HOUSING ASSEMBLY, COMPLETE (PAGE 2)

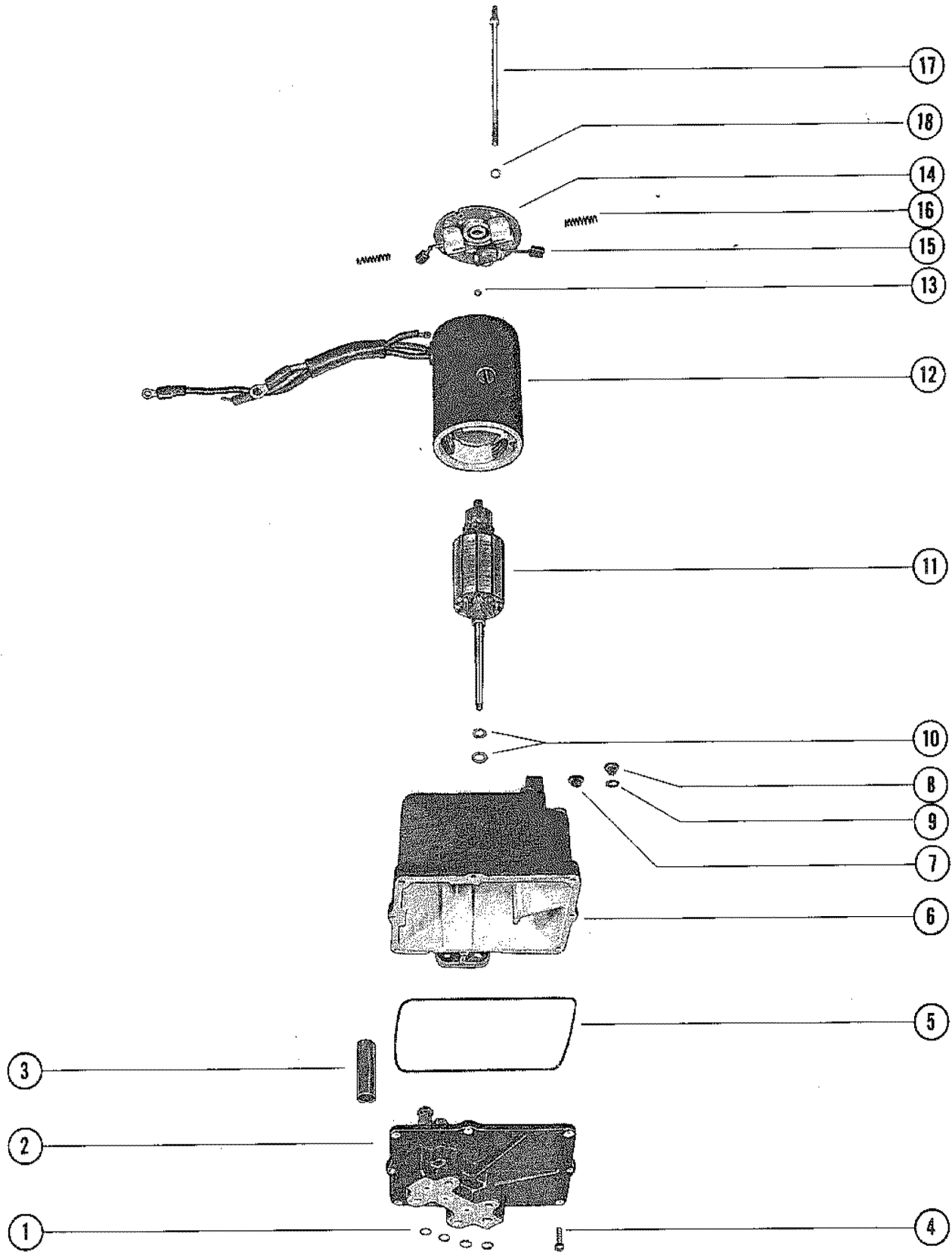


GEAR HOUSING ASSEMBLY, COMPLETE (PAGE 2)

REF. NO.	PART NO.	SYM.	QTY.	DESCRIPTION
74	10-77167		1	SCREW GEAR HOUSING TO DRIVE SHAFT HOUSING (6") - EXTRA LONG
75	75282		1	THRUST HUB AND WASHER ASSEMBLY
76	14-31210		1	TAB WASHER, PROPELLER NUT
77	11-52707		1	NUT, PROPELLER
-	27-60476A75		0	GASKET SET

THE ENCLOSED GEAR HOUSINGS INCLUDE ALL PARTS FROM REF. #1-#77 AS LISTED UNDER "GEAR HOUSING ASSEMBLY, COMPLETE"

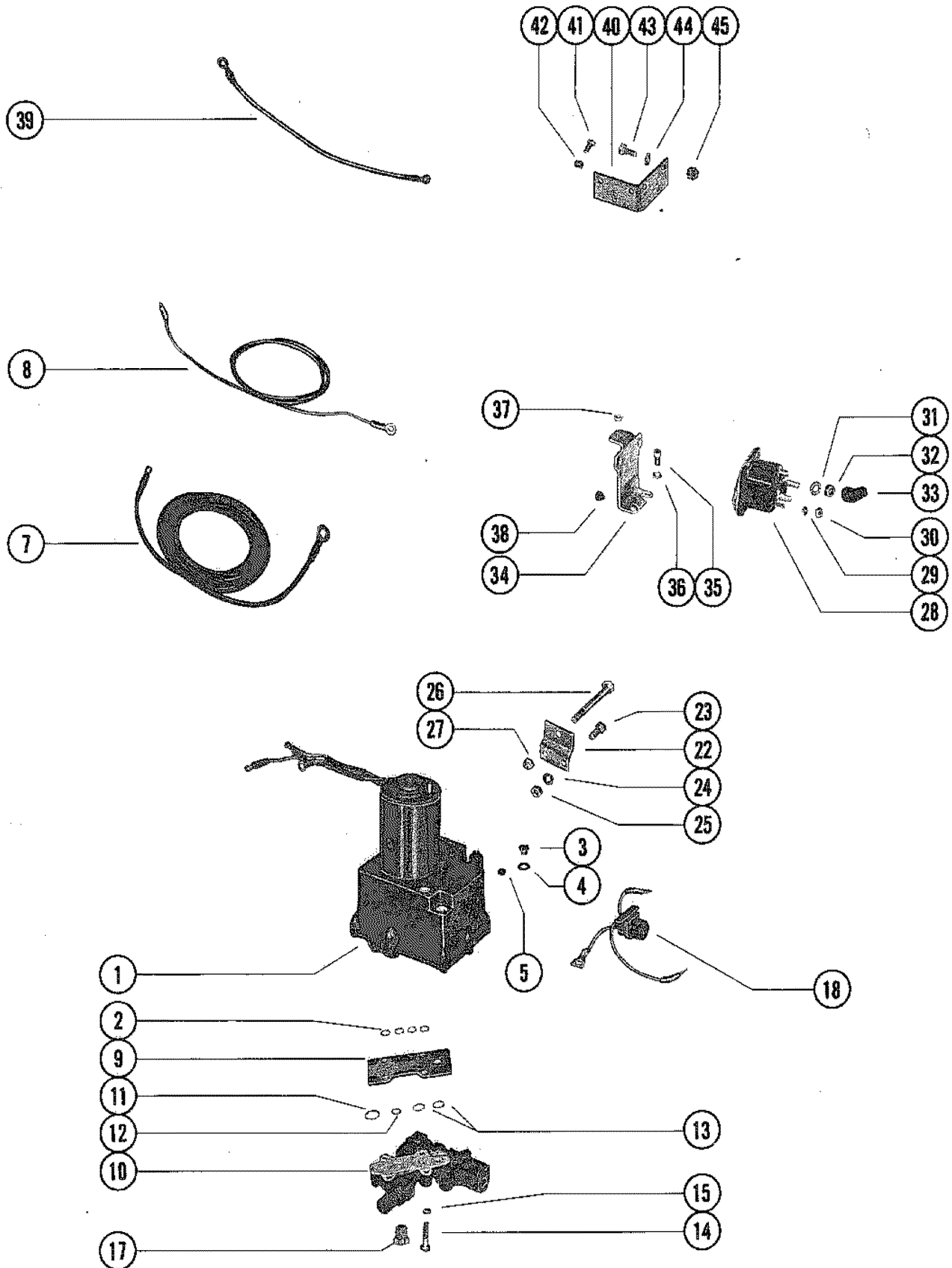
HYDRAULIC PUMP ASSEMBLY



HYDRAULIC PUMP ASSEMBLY

REF. NO.	PART NO.	SYM.	QTY.	DESCRIPTION
-	76395A5		1	HYDAULIC PUMP ASSEMBLY, COMPLETE
1	25-21720		4	"O" RING, HYDRAULIC PUMP
2	392-2936		1	VALVE BODY AND GEAR ASSEMBLY
3	392-2618		2	CAN, VALVE BODY
4	10-20411		8	SCREW, VALVE BODY TO RESERVOIR
5	392-2937		1	SEAL, RESERVOIR TO VALVE BODY AND GEAR
6	392-2939		1	RESERVOIR ASSEMBLY
7	10-38257		1	SCREW, VENT - HYDAULIC PUMP
8	10-28634		1	SCREW, FILLER - HYDAULIC PUMP
9	12-20260		1	WASHER, SEALING - FILLER SCREW
10	392-2623		AR	WASHER, THRUST - ARMATURE
11	392-2943		1	ARMATURE, FIELD AND FRAME
12	392-2942		1	FIELD AND FRAME ASSEMBLY
13	392-2944		1	BALL, COMMUTATOR END PLATE
14	392-2940		1	PLATE ASSEMBLY, COMMUTATOR END
15	392-2941		1	BRUSH SET, COMMUTATOR END PLATE
16	392-2529		1	SPRING SET, BRUSH TENSION
17	392-2938		1	BOLT SET THRU - PLATE AND FRAME TO RESERVOIR
18	13-26996		2	LOCKWASHER, THRU BOLT

HYDRAULIC PUMP AND CONTROL VALVE

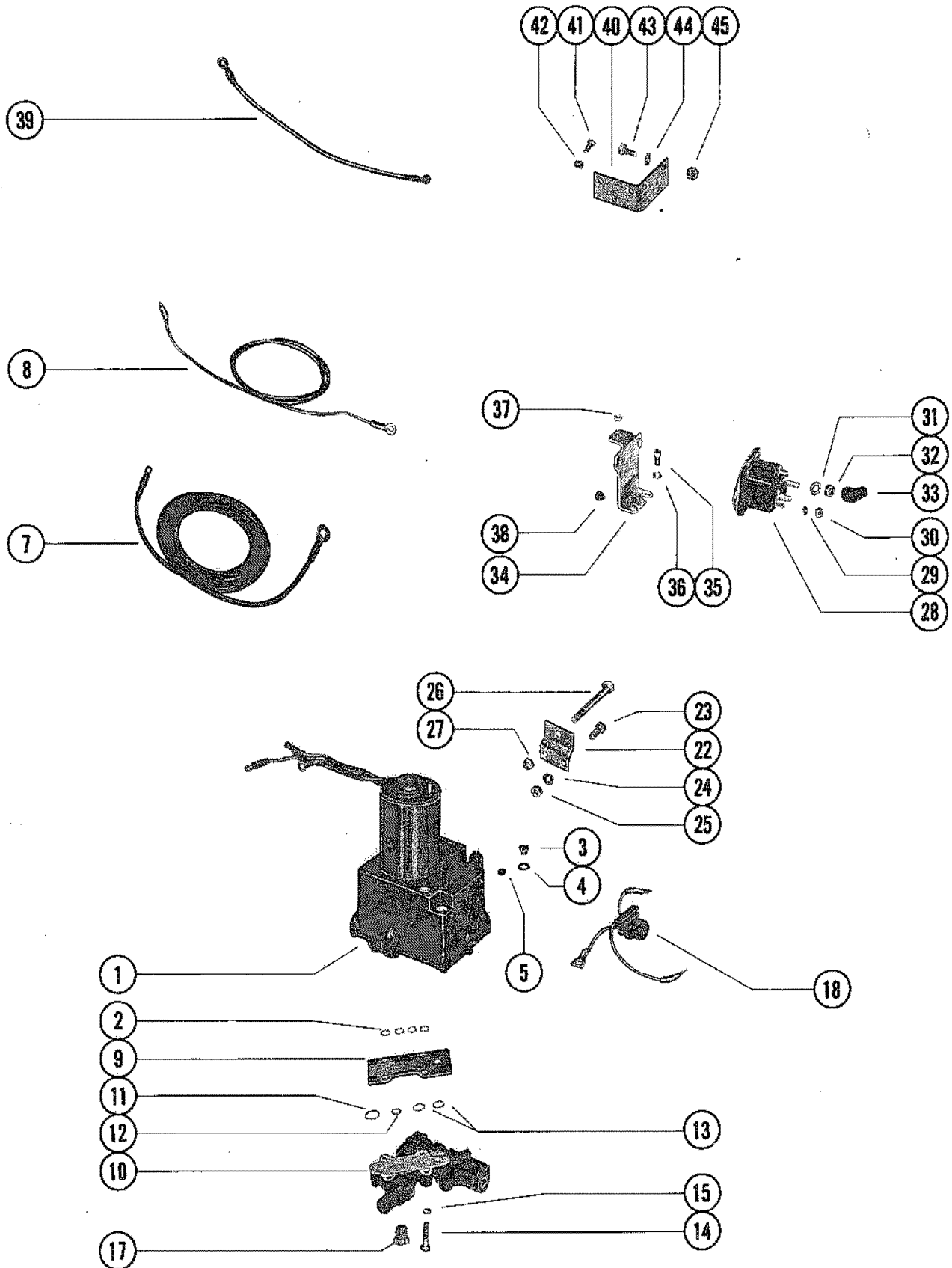


HYDRAULIC PUMP AND CONTROL VALVE

REF. NO.	PART NO.	SYM.	QTY.	DESCRIPTION
1	76395A5		1	HYDRAULIC PUMP ASSEMBLY
2	25-21720		4	"O" RING, HYDRAULIC PUMP TO MANIFOLD PLATE
3	10-28634		1	SCREW, FILLER - HYDAULIC PUMP
4	12-20260		1	WASHER SEALING - HYDRAULIC PUMP FILLER SCREW
5	10-38257		1	SCREW, VENT - HYDRAULIC PUMP
7	32979		1	BATTERY LEAD (POSITIVE)
8	32988		1	BATTERY LEAD (NEGATIVE)
9	45336		1	PLATE, MANIFOLD
10	45197A2		1	CONTROL VALVE ASSEMBLY
-	25-21720		4	"O" RING PUMP TO MANIFOLD PLATE (SEE REFERENCE #2)
11	25-45254		1	"O" RING CONTROL VALVE TO MANIFOLD PLATE (3/4"O.D.)
12	25-21720		1	"O" RING CONTROL VALVE TO MANIFOLD PLATE (1/2" O.D.)
13	25-45253		2	"O" RING CONTROL VALVE TO MANIFOLD PLATE (5/8" O.D.)
14	10-56500		4	SCREW VALVE AND MANIFOLD PLATE TO PUMP (1 1/4")
15	13-26992		4	LOCKWASHER CONTROL VALVE AND MANIFOLD PLATE SCREW
17	22-46008		2	PLUG, CONTROL VALVE (1/2-20")
18	84-74023		1	CONNECTOR AND HARNESS
22	45377		2	BRACKET MOUNTING - HYDRAULIC PUMP TO BOAT
23	10-24234		4	SCREW MOUNTING BRACKET TO HYDAULIC PUMP (1")
24	13-39107		4	LOCKWASHER, MOUNTING BRACKET SCREW
25	11-21908		4	NUT, MOUNTING BRACKET SCREW
26	10-68298		2	BOLT, HYDRAULIC PUMP TO BOAT (3 1/4")
27	11-68411		2	NUT, HYDRAULIC PUMP BOLT
28	89-68258		2	STARTER SOLENOID
29	13-26996		4	LOCKWASHER STARTER SOLENOID TERMINAL (#10)
30	11-68219		4	NUT, STARTER SOLENOID TERMINAL (#10)
31	13-26993		4	LOCKWASHER STARTER SOLENOID TERMINAL (5/16")
32	11-68292		4	NUT, STARTER SOLENOID TERMINAL (5/16")
33	46265		4	BOOT, RUBBER - STARTER SOLENOID TERMINAL
34	74407		1	BRACKET, MOUNTING - STARTER SOLENOID
35	10-21140		2	SCREW MOUNTING BRACKET TO HYDRAULIC PUMP (1/2")
36	13-26992		2	LOCKWASHER, MOUNTING BRACKET SCREW
37	11-24656		1	NUT MOUNTING BRACKET TO HYDRAULIC PUMP THRU BOLT
38	26901		1	BUMPER, RUBBER - SOLENOID BRACKET
39	55991		1	BATTERY LEAD (POSITIVE)
	55992		1	BATTERY LEAD (NEGATIVE)
40	74406		1	BRACKET, MOUNTING - STARTER SOLENOID

CONTINUED ON NEXT PAGE ➡

HYDRAULIC PUMP AND CONTROL VALVE

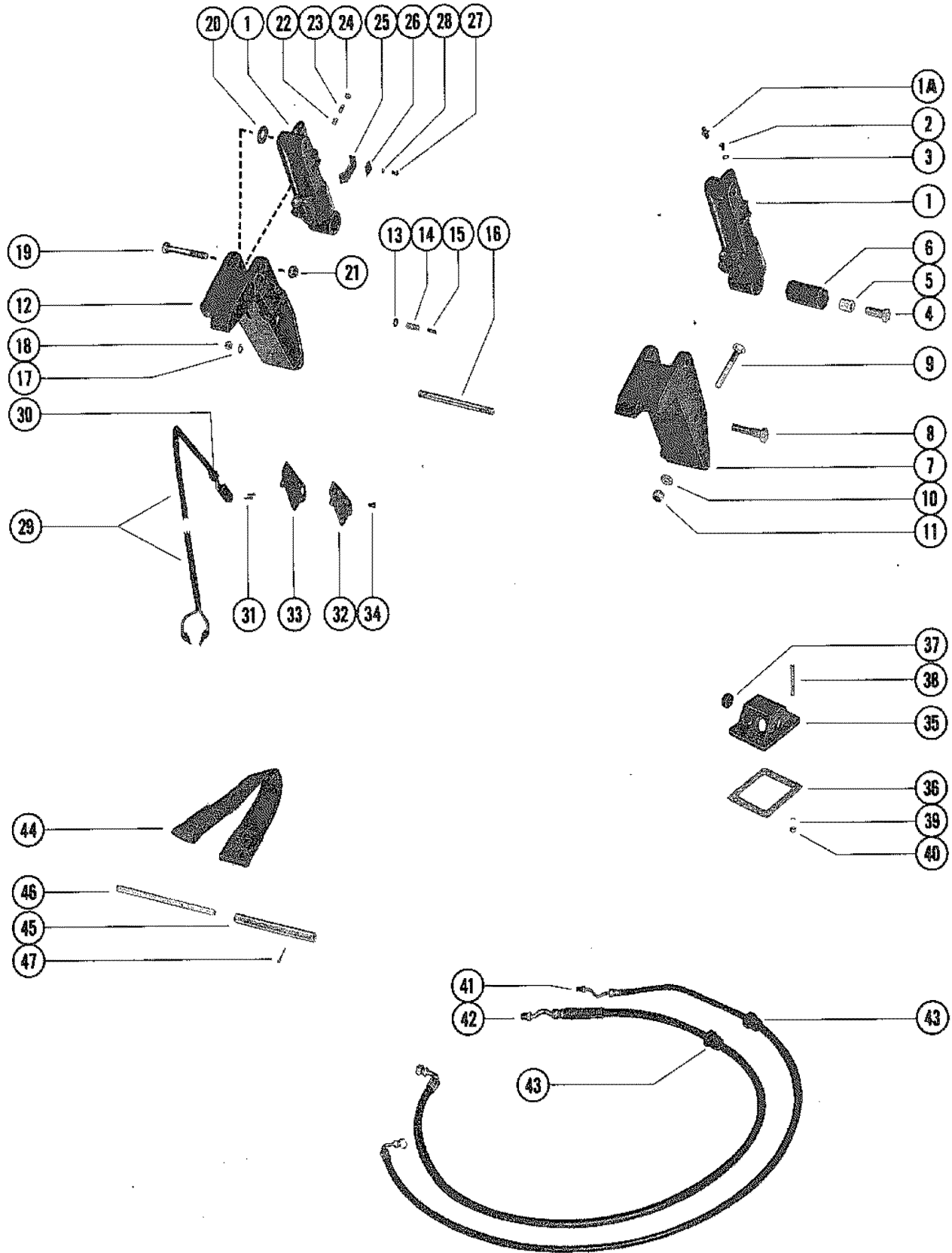


HYDRAULIC PUMP AND CONTROL VALVE

REF. NO.	PART NO.	SYM.	QTY.	DESCRIPTION
41	10-69028		2	SCREW MOUNTING BRACKET TO HYDRAULIC PUMP (3/4")
42	13-26992		2	LOCKWASHER, MOUNTING BRACKET SCREW
43	10-34290		2	SCREW STARTER SOLENOID TO MOUNTING BRACKET (5/8")
44	13-26992		2	LOCKWASHER, STARTER SOLENOID SCREW
45	11-21825		4	NUT, STARTER SOLENOID SCREW

SEE "HYDRAULIC PUMP ASSEMBLY" FOR BREAKDOWN

TRIM CYLINDERS AND HYDRAULIC HOSES

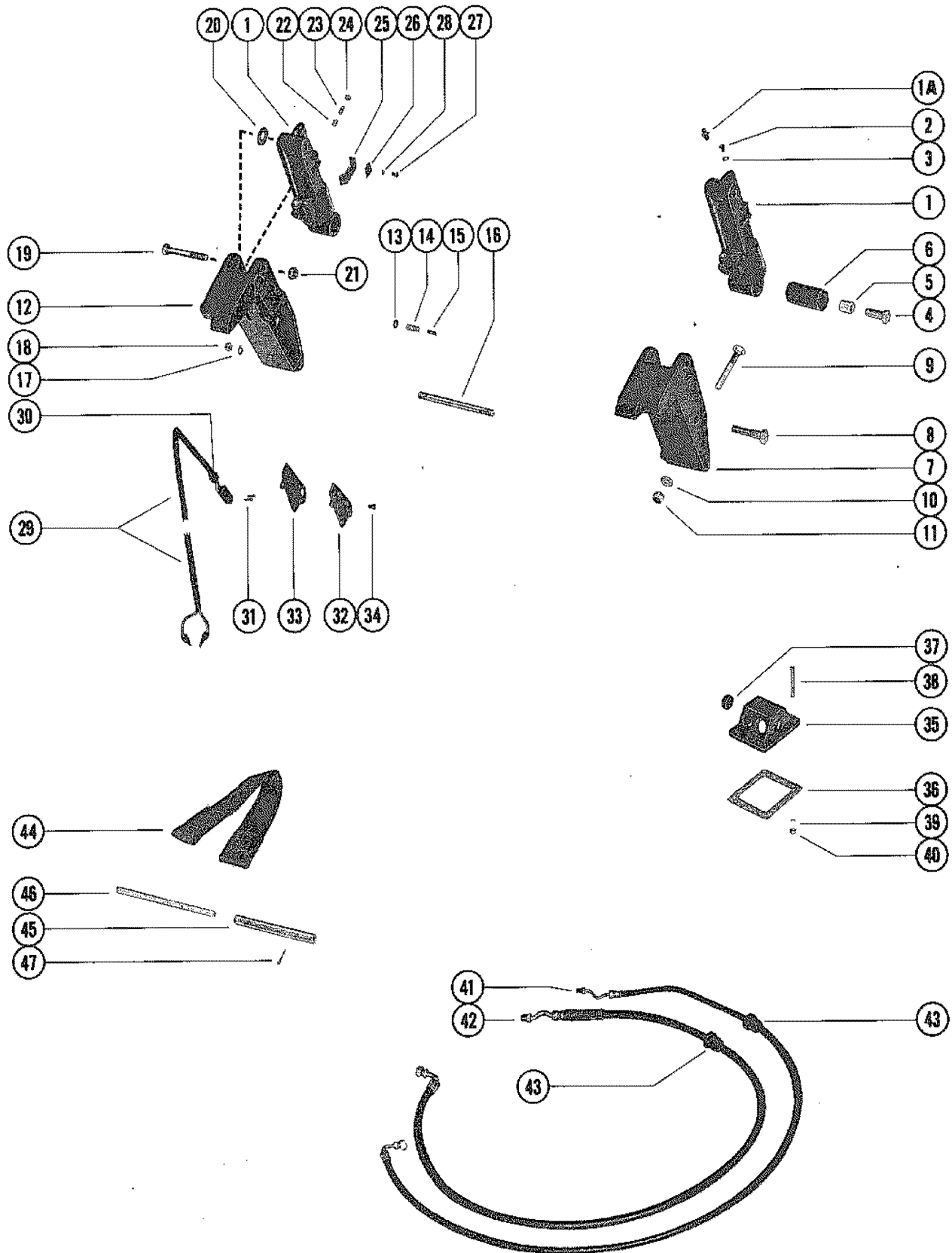


TRIM CYLINDERS AND HYDRAULIC HOSES

REF. NO.	PART NO.	SYM.	QTY.	DESCRIPTION
1	76509A3		2	TRIM CYLINDER ASSEMBLY
1A	22-74036		2	GREASE FITTING
2	10-45265		4	SCREW, BLEED - SHOCK CYLINDER
3	25-45016		4	"O" RING, SHOCK CYLINDER BLEED SCREW
4	10-45264		2	SCREW SHOCK CYLINDER TO LOWER SHOCK PIN (1 9/16")
5	23-45280		2	SPACER, SHOCK CYLINDER - LOWER
6	23-45281		2	BUSHING, RUBBER - SHOCK CYLINDER
7	66084		1	BRACKET, MOUNTING - SHOCK CYLINDER (PORT)
8	10-45263		2	SCREW MOUNTING BRACKET TO UPPER SHOCK PIN (2 1/4")
9	10-68298		4	BOLT MOUNTING BRACKET TO BOAT TRANSOM (3 1/4")
10	12-68410		4	WASHER, MOUNTING BRACKET BOLT
11	11-68411		4	NUT, MOUNTING BRACKET BOLT
12	45196A2		1	BRACKET ASSEMBLY MOUNTING - SHOCK CYLINDER (STARBOARD)
13	26-70608		1	OIL SEAL, STARBOARD MOUNTING BRACKET
14	45286		1	PLUNGER, LIMIT SWITCH ACTUATING
15	24-45272		1	SPRING, TENSION - LIMIT SWITCH PLUNGER
16	16-45282		1	STUD, MOUNTING BRACKET AND CLAMP BRACKET
17	13-26993		2	LOCKWASHER MOUNTING BRACKET TO CLAMP BRACKET STUD
18	11-28770		2	NUT MOUNTING BRACKET TO CLAMP BRACKET STUD
19	10-45328		2	SCREW SHOCK CYLINDER TO MOUNTING BRACKET (3 9/16")
20	12-37807		1	WASHER SHOCK CYLINDER SCREW (STARBOARD ONLY)
21	11-20696		2	NUT, SHOCK CYLINDER SCREW
22	24-24390		1	SPRING, TENSION - ADJUSTING STUD
23	16-21085		1	STUD, ADJUSTING - CUT-OUT LIMIT SWITCH (15/16")
24	11-45812		1	NUT, JAM - LIMIT SWITCH ADJUSTING STUD
25	45508		1	CAM, LIMIT SWITCH ADJUSTING STUD
26	45509		1	PLATE, RETAINING - LIMIT SWITCH CAM
27	10-68513		1	SCREW RETAINING PLATE AND CAM TO SHOCK CYLINDER (3/8")
28	13-26996		1	LOCKWASHER, RETAINING PLATE AND CAM SCREW
29	45326A2		1	SWITCH ASSEMBLY, CUT-OUT LIMIT
30	23-45354		1	BUSHING, RUBBER - CUT-OUT LIMIT SWITCH
31	10-47255		2	SCREW CUT-OUT LIMIT TO MOUNTING BRACKET (9/16")
32	45287		1	COVER, LIMIT SWITCH
33	27-45275		1	GASKET, LIMIT SWITCH COVER
34	10-24942		5	SCREW LIMIT SWITCH COVER TO MOUNTING BRACKET (7/16")
35	45289		1	COVER, INLET - TRANSOM
36	27-45274		1	GASKET, INLET COVER
37	25-45507		1	GROMMET, RUBBER - INLET COVER
38	10-32866		4	SCREW, INLET COVER TO BOAT (2")
39	12-20878		4	WASHER, INLET COVER SCREW

CONTINUED ON NEXT PAGE ➡

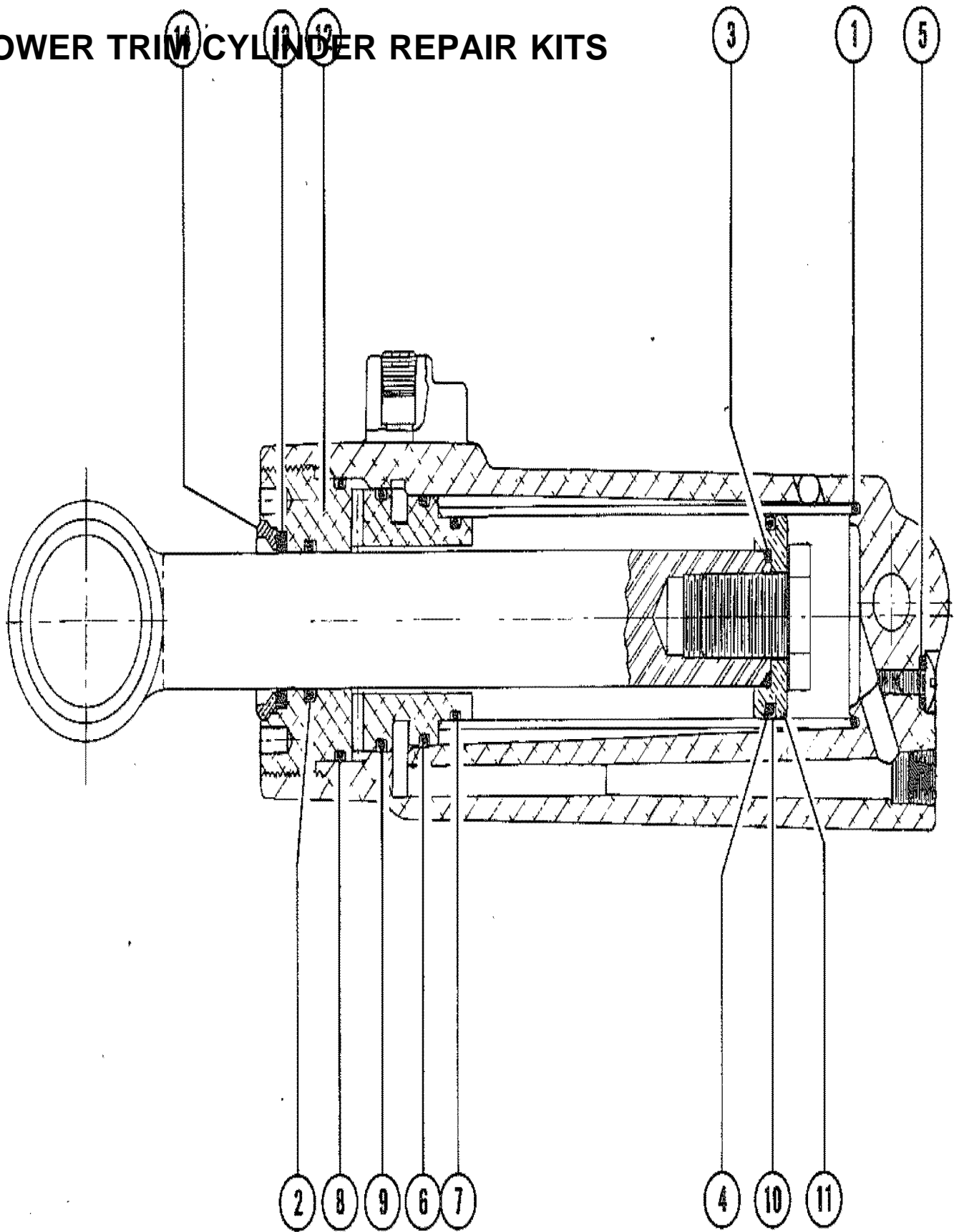
TRIM CYLINDERS AND HYDRAULIC HOSES



TRIM CYLINDERS AND HYDRAULIC HOSES

REF. NO.	PART NO.	SYM.	QTY.	DESCRIPTION
40	11-29488		4	NUT, INLET COVER SCREW
41	32-45327		2	HOSE, TRIM CYLINDER TO CONTROL VALVE (5') - 13-32" O.D.
42	32-45959		2	HOSE, LIFT CYLINDER TO CONTROL VALVE (5') - 17/32" O.D.
43	23-35977		4	GROMMET RUBBER - LIFT HOSE AND TRIM HOSE
44	73519A1		1	TILT STOP
45	69259		1	TUBE, MOUNTING - TILT STOP
46	77669		1	PIN, MOUNTING TUBE
47	18-36391		1	COTTER PIN, MOUNTING TUBE PIN

POWER TRIM CYLINDER REPAIR KITS



POWER TRIM CYLINDER REPAIR KITS

REF. NO.	PART NO.	SYM.	QTY.	DESCRIPTION
-	64507A1		1	REPAIR KIT
1	N.S.S.		1	"O" RING (1 1/2 X 1 5/8" X 1/16")
2	N.S.S.		1	"O" RING (3/4" X 15/16" X 1/8")
3	N.S.S.		1	"O" RING (5/8" X 3/4" X 1/16")
4	N.S.S.		1	"O" RING (1 1/4" X 1 7/16" X 1/16")
5	N.S.S.		2	"O" RING (7/32" X 11/32" X 1/16")
6	N.S.S.		1	"O" RING (1 5/8" X 1 13/16" X 1/8")
7	N.S.S.		1	"O" RING (1 5/16" X 1 1/2" X 1/8')
8	N.S.S.		1	"O" RING (1 7/8" X 2" 1/8")
9	N.S.S.		1	"O" RING (1 3/4" X 1 15/16" X 1/8")
10	N.S.S.		1	SEAL, SLIPPER - PISTON
11	N.S.S.		1	PISTON, ROD - HEAVY DUTY
12	64505A1		1	RETAINER ASSEMBLY, PISTON
13	N.S.S.		1	ROD, SCRAPER
14	N.S.S.		1	RETAINER, SCRAPER

DO NOT SUBSTITUTE "O" RINGS AS THESE ARE OF SPECIAL MANUFACTURED MATERIAL.

PROPELLERS RIGHT HAND ROTATION

REF. NO.	PART NO.	SYM.	QTY.	DESCRIPTION
-	48-77338A4		0	PROPELLER ASSEMBLY (ALUMINUM)(PITCH 11") 3 BLADES
-	48-77340A4		0	PROPELLER ASSEMBLY (ALUMINUM)(PITCH 13") 3 BLADES
-	48-77342A4		0	PROPELLER ASSEMBLY (ALUMINUM)(PITCH 15") 3 BLADES
-	48-77344A4		0	PROPELLER ASSEMBLY (ALUMINUM)(PITCH 17") 3 BLADES
-	48-77346A4		0	PROPELLER ASSEMBLY (ALUMINUM)(PITCH 19") 3 BLADES
-	48-77348A4		0	PROPELLER ASSEMBLY (ALUMINUM)(PITCH 21") 3 BLADES
-	48-77350A4		0	PROPELLER ASSEMBLY (ALUMINUM)(PITCH 23") 3 BLADES

THIS PAGE INTENTIONALLY LEFT BLANK

SERIAL GROUP CHART

SERIAL GROUP CHART

SERIAL GROUP #1

United States 5050791 and below
Australia 8054754 and below
Canada 7118922 and below

SERIAL GROUP #2

United States 5050792 and up
Australia 8054755 and up
Canada 7118923 and up

SERIAL GROUP #3

United States 5168573 and below
Australia 8056944 and below
Canada 7123762 and below

SERIAL GROUP #4

United States 5168574 and up
Australia 8056945 and up
Canada 7123763 and up

SERIAL GROUP CHART

THIS PAGE INTENTIONALLY LEFT BLANK

PARTS INDEX

Part Number	Description	Pg.	Ref. No.	Part Number	Description	Pg.	Ref. No.
20121	CONNECTOR, SPARK PLUG LEAD	9	--	37639	MOUNT, RUBBER - TOP COWL FRAME	3	18
20140	BELT, TIMING	15	57	37640	MOUNT, RUBBER FRONT SUPPORT BRACKET	3	34
22833	ADAPTOR, CHECK UNIT (FUEL LINE)	25	33	37641	SEAL, EXHAUST ELBOW	49	37
23004	RETAINER, CHECK VALVE	25	9	37896	GUIDE BLOCK, LINK ROD	33	32
23069	STEM, CHECK UNIT ADAPTOR	25	34	37918	SEAL, EXHAUST EXTENSION PLATE	35	3
25067	BUMPER, RUBBER - LOWER MOUNTING SCREW	43	28	37940	PAD, SOUND - DRIP TRAY	33	3
26113	RACE, OUTER (PAIR)	31	10	38032	STRIP	35	4
26901	BUMPER, RUBBER - SOLENOID BRACKET	57	38	38051	PLATE, SUPPORT - EXHAUST TUBE SEAL	49	38
26901	BUMPER, RUBBER - STARTER SOLENOID	17	31	38279	LATCH	33	34
27947	SWIVEL, LINKAGE - ECONOMIZER COLLAR	13	9	38674	BAG, STARTER ROPE	5	8
27948	SWIVEL	13	13	39019	SPACER	49	45
28203	BUMPER, STEERING ARM	37	17	39021	CAM	49	46
28205	STRAP STOP	37	11	39519	CAP, BARREL RETAINER - ANCHOR BRACKET	33	25
29787	HUB, FLYWHEEL PULLEY	7	10	39616	CONTROL CABLES - BOTTOM COWL	33	6
29788	FLANGE, FLYWHEEL PULLEY	7	8	39618	LEVER, NYLON - SHIFT CABLE LOCKING	33	26
29906A1	DRIVEN PULLEY ASSEMBLY	15	52	39667	COVER, NYLON - SHIFT CABLE	33	28
29907	FLANGE, DRIVEN PULLEY	15	54	45196A2	BRACKET ASSEMBLY	61	12
30021	BLANKET, SOUND ABSORBING	5	14	45197A2	CONTROL VALVE ASSEMBLY	57	10
30188	CUP WASHER, ADAPTOR	25	37	45286	PLUNGER, LIMIT SWITCH ACTUATING	61	14
30306	PULLEY, FLYWHEEL	7	9	45287	COVER, LIMIT SWITCH	61	32
30413	HOOK, COWL LATCH FASTENING	5	13	45289	COVER, INLET - TRANSOM	61	35
30624	SLIDE, CROSS PIN	51	51	45326A2	SWITCH ASSEMBLY, CUT-OUT LIMIT	61	29
30625	FOLLOWER, CAM	51	50	45336	PLATE, MANIFOLD	57	9
31014	MOUNT, RUBBER - REAR SUPPORT BRACKET	3	21	45377	BRACKET	57	22
31089	STRIP, SOUND ABSORBING	5	7	45391	SPACER, RUBBER - HIGH TENSION LEADS	9	34
31640A1	TRIM TAB, GEAR HOUSING STOP, SPARK ADVANCE - DISTRIBUTOR HOUSING	13	2	45392	BRACKET, FRONT - WIRE RETAINER	9	31
32435	PLATE, FACE	49	21	45409	WIRE RETAINER, HIGH TENSION LEADS	9	30
32979	BATTERY LEAD (POSITIVE)	57	7	45508	CAM, LIMIT SWITCH ADJUSTING STUD	61	25
32988	BATTERY LEAD (NEGATIVE)	57	8	45509	PLATE, RETAINING - LIMIT SWITCH CAM	61	26
35474	COVER, LOWER MOUNT CLAMP	45	37	45559	TERMINAL BLOCK, STATOR LEADS	17	13
35496	PAD, BUMPER - TP CPW: RETAOMER	3	3	46096	MOUNT, RUBBER - TOP COWL FRAME (HEAVY DUTY)	3	18
35608	CLAMP, LOWER MOUNT TO DRIVE SHAFT HOUSING	43	34	46265	BOOT, RUBBER - STARTER SOLENOID TERMINAL	57	33
35769	SEAL, SOUND ABSORBING - UPPER	5	9	46265	BOOT, SOLENOID TERMINAL	17	37
37417	COVER, TRIM - DRIVE SHAFT HOUSING	43	5	46785A1	COWL LATCH ASSEMBLY	5	12
37440	BRACKET, MOUNT SUPPORT - CYLINDER BLOCK	29	28	46933A2	GROUND STRAP ASSEMBLY, TRIM COVER SCREW	43	6B
37445	SUPPORT, WIRING HARNESS - BOTTOM COWL	33	10				
37587	SWIVEL, LOWER	13	22				

PARTS INDEX

Part Number	Description	Pg.	Ref. No.	Part Number	Description	Pg.	Ref. No.
47341A1	ROPE, STARTER (FOR MANUAL STARTING ONLY	3	9	55455	HOOK, TOP COWL LATCH - REAR	3	13
47398	BRACKET, REAR - WORE RETAINER	9	32	55804A1	ECONIZER COLLAR ASSEMBLY	13	6
47558	ROD, PUSH - REVERSE LOCK	43	15	55805	BRACKET, STOP	13	41
47559	YOKE, PUSH ROD	43	17	55991	BATTERY LEAD (POSITIVE)	57	39
48047A1	LINK ROD ASSEMBLY	33	20	55992	BATTERY LEAD (NEGATIVE)	57	39
48152	SHUTTER, CHOKE- CARBURETOR	19	25	56029	COVER, STARTER MOTOR BRACKET-TOP	27	9
48203	ROD, CHOKE	19	22	56349	SHAFT, REVERSE LOCK PIVOT	39	29
48671	PLATE, THROTTLE ACTUATOR	13	28	56703	COLLAR, RUBBER - STARTER MOTOR MOUNT	17	24
48692	COLLAR, THROTTLE ACTUATOR	13	24	56849	KNOB,COWL FRONT COVER FASTENING	5	2
48752	INSERT, WATER PUMP BODY	49	24	57247	STOP, RUBBER - STARTER MOTOR	17	22
49589	STRAP, CHOKE KNOB TO CHOKE ROD	19	19	58124A4	SWITCH,MERCURY	27	22
52023	CAP	13	27	58454	CAM, THROTTLE ACTUATOR PLATE	13	33
52023	CAP, NYLON - STOP BRACKET ADJUSTING SCREW	15	46	58807A1	FLAME ARRESTOR, VENT - DISTRIBUTOR CAP	9	23
52100	WEAR PLATE, LINK ROD	33	33	58807A1	FLAME ARRESTOR, VENT - DISTRIBUTOR HOUSING	9	7
52518	CLUSTER, THROTTLE LEVER (UPPER CARBURETOR)	19	7	59071	COVER, FUEL INLET	25	12
52699	COVER, GEAR HOUSING	51	69	60096	BOOT, HIGH TENSION CABLE	9	21
52732	BRACKET, ANCHOR - CONTROL CABLES	33	24	60096	BOOT, SPARK PLUG LEAD TO DISTRIBUTOR	9	28
52733A9	RETAINER ASSEMBLY, TOP COWL	3	2	60304A54	SHIFT SHAFT ASSEMBLY, UPPER	33	17
52737	LEVER, COWL LATCH HINGE	3	11	60437	MEGAPHONE, EXHAUST	35	19
52739	HINGE, COWL LATCH - TOP COWL	3	10	62301	COVER, TRANSFER PORT (TOP/MIDDLE)	29	30
52862A2	DRIP TRAY ASSEMBLY, BOTTOM COWL	33	2	62351A1	RECTIFIER ASSEMBLY	17	38
52887	GUIDE, PUSH ROD - REVERSE LOCKING	43	14	63194	PAD, RUBBER - IGNITION COIL	11	2
52889	NOZZLE, TELL TALE HOSE TO BOTTOM COWL	33	14	63195	COVER, IGNITION COIL	11	3
53078	CAP, PLASTIC - TILT TUBE	39	7	63473	TUBE	39	20
53334	SEAL, SOUND ABSORBING - TOP	5	10	64505A1	RETAINER ASSEMBLY, PISTON	65	12
53417	GROUND STRAP ASSEMBLY	9	5	64507A1	REPAIR KIT	65	-
53665	INSERT, THROTTLE COUPLING	19	12	64954	BRACKET, TOP COWL SUPPORT - REAR	3	20
53720A2	THROTTLE PICK-UP BRACKET ASSEMBLY	19	10	65638	BOOT, RUBE MOUNT	43	8A
54196A6	CARRIER ASSEMBLY, "O" RING	31	5	65799	LINK, LOCKING LEVER TO COVER	33	29
54283A1	PLUNGER AND LINK ASSEMBLY, CHOKE SOLENOID	19	6	65800	"O" RING, CARRIER	31	6
54293A4	CHOKE SOLENOID	19	1	66084	BRACKET, MOUNTING - SHOCK CYLINDER (PORT)	61	7
54346	CAM, SHIFT	51	49	66094	COVER, TRANSFER PORT (BOTTOM)	29	30
54567	CAPM DISTRIBUTOR HOUSING	15	50	66096A1	PLATE ASSEMBLY, EXHAUST EXTENSION	35	1
54651	CABLE, WIRE	17	20	66165A2	ADAPTOR ASSEMBLY, DISTRIBUTOR	13	35
				66517	RESTRICTION, CRANKCASE BLEED	27	3
				66530A2	FUEL PUMP ASSEMBLY	25	1
				66575	BASE, FUEL PUMP	25	16

PARTS INDEX

Part Number	Description	Pg.	Ref. No.	Part Number	Description	Pg.	Ref. No.
66599A1	DIAPHRAGM ASSEMBLY ..	25	3	77520A1	BEARING CARRIER ASSEMBLY	51	64
67469	ROD, LINK - UPPER	13	12A	77669	PIN, MOUNTING TUBE	63	46
69190	PLATE, COIL MOUNTING ..	11	10	78184	TUBE, EXHAUST	43	8
69205	"D" WASHER, CLIP FASTENING SCREW	7	15	78992	LEVER, THROTTLE CONTROL	13	14
69205	"D" WASHER, FUEL LINE CLIP SCREW	25	28	79019	COVER, EXHAUST MANIFOLD	29	20
69205	"D" WASHER, WIRING HARNESS CLIP SCREW ..	17	12	86922A1	FRAME ASSEMBLY, TOP COWL SUPPORT	3	16
69259	TUBE, MOUNTING - TILT STOP	63	45	N.S.S.	"O" RING (1 1/2 X 1 5/8" X 1/16")	65	1
70692	REVERSE LOCK ASSEMBLY	39	27	N.S.S.	"O" RING (1 1/4" X 1 7/16" X 1/16")	65	4
71808	COVER, WATER JACKET- CYLINDER BLOCK	29	13	N.S.S.	"O" RING (1 3/4" X 1 15/16" X 1/8")	65	9
73519A1	TILT STOP	63	44	N.S.S.	"O" RING (1 5/16" X 1 1/2" X 1/8")	65	7
73755A1	KNOB, SHCOLE ROD	19	17	N.S.S.	"O" RING (1 5/8" X 1 13/16" X 1/8")	65	6
73984	YOKE, BOTTOM	37	15	N.S.S.	"O" RING (1 7/8" X 2" 1/8") ..	65	8
74257A3	PLATE ASSEMBLY, DRIVE SHAFT HOUSING	35	15	N.S.S.	"O" RING (3/4" X 15/16" X 1/8")	65	2
74406	BRACKET, MOUNTING - STARTER SOLENOID ...	57	40	N.S.S.	"O" RING (5/8" X 3/4" X 1/16")	65	3
74407	BRACKET, MOUNTING - STARTER SOLENOID ...	57	34	N.S.S.	"O" RING (7/32" X 11/32" X 1/16")	65	5
74528	TUBE, TILT - CLAMP BRACKET TO SWIVEL BRACKET	39	4	N.S.S.	PISTON, ROD - HEAVY DUTY	65	11
75043	CAP, THUMB SCREW	39	3	N.S.S.	RETAINER, SCRAPER	65	14
75282	THRUST HUB AND WASHER ASSEMBLY	53	75	N.S.S.	ROD, SCRAPER	65	13
75296	MOUNT, RUBBER - UPPER ..	43	20	N.S.S.	SEAL, SLIPPER - PISTON ..	65	10
75299	MOUNT, RUBBER - LOWER	43	24	N.S.S.	SCREW, RETAINER TO FUEL PUMP (1/4")	25	10
75778	PLATE, BAFFLE-EXHAUST MANIFOLD	29	18	10-20037	SCREW, CENTER MAIN BEARING LOCKING	27	20
75971A1	FRAME ASSEMBLY, TOP COWL SUPPORT	3	16	10-20359	SCREW	13	37
76039	CAM, SHIFT	51	49	10-20411	SCREW, VALVE BODY TO RESERVOIR	55	4
76062A1	SHAFT ASSEMBLY, SHIFT - LOWER	49	39	10-20847	SCREW, CLUSTER TO THROTTLE LEVER	19	8
76367	POINTER, TIMING	29	33	10-20847	SCREW, THROTTLE STOP LEVER (SEE FOOT NOTE BELOW)	21	18
76369	SPACER, BOTTOM COWL (COWL FRONT COVER) ..	33	7	10-21140	SCREW	57	35
76370	SHIELD, TOP COWL - REAR	3	6	10-21937	SCREW, LOWER SHOCK PIN	41	32
76385	TILT LOCK ASSEMBLY (PORT)	39	22	10-22523	SCREW	19	29
76386	TILT LOCK ASSEMBLY (STARBOARD)	39	21	10-22956	SCREW, REAR HOOK TO TOP COWL (7/8")	3	14
76387	TUBE, TILT LOCK	39	23	10-22968	SCREW, CENTER MAIN BEARING CLAMPING	31	13
76395A5	HYDRAULIC PUMP ASSEMBLY, COMPLETE ..	55	-	10-23015	SCREW	19	29
76395A5	HYDRAULIC PUMP ASSEMBLY	57	1	10-24234	SCREW	33	30
76509A3	TRIM CYLINDER ASSEMBLY	61	1	10-24234	SCREW	57	23
76867	COVER SARTERMOTOR BRACKET-BOTTOM	27	13	10-24234	SCREW, BRACKET TO CYLINDER BLOCK (1") ..	29	29
77103A3	BRACKET ASSEMBLY, TOP COWL - FRONT	3	29	10-24942	SCREW	61	34
77120	SPACER, DRIVE SHAFT HOUSING	45	--	10-25299	SCREW, CHOKE SOLENOID (3/4")	19	4
77122	SHAFT, SHIFT - LOWER(EXTRA LONG SHAFT) ...	49	39	10-28200	SCREW	37	12

PARTS INDEX

Part Number	Description	Pg.	Ref. No.	Part Number	Description	Pg.	Ref. No.
10-28634	SCREW, FILLER - HYDAULIC PUMP	57	3	10-49554	BOLT, STEERING ARM TO UPPER MOUNT (5 7/8") ..	37	18
10-28636	SCREW	13	42	10-52195	SCREW, FLOAT BOWL COVER	21	13
10-28636	SCREW, TIMING POINTER ATTACHING (3/4")	29	34	10-53167	SCREW	29	15
10-28636	SCREW, TRANSFER PORT COVER MOUNTING (3/4")	29	32	10-53576	SCREW, MANIFOLD COVER MOUNTING	29	21
10-29256	SCREW	43	36	10-54803	SCREW, CONNECTING ROD	31	28
10-29722	SCREW, COVER TO LOWER CLAMP MOUNT	45	39	10-55511	SCREW	3	32
10-29794	SCREW, SWITCH BOX (3/8")	17	17	10-56500	SCREW	57	14
10-30720	SCREW	49	29	10-57807	SCREW, TRIM COVER TO BOTTOM COWL	43	6
10-32293	SCREW, CRANKCASE TO CYLINDER BLOCK(1 3/4")	27	17	10-57841	SCREW, CRANKCASE TO CYLINDER BLOCK(2 3/4")	27	17
10-32417	SCREW, FLEXIBLE PLATE TO FLYWHEEL (5/8")	7	5	10-60480	SCREW	35	20
10-32866	SCREW, INLET COVER TO BOAT (2")	61	38	10-62204	SCREW, REED STOP MOUNTING	31	21
10-34290	SCREW	59	43	10-62568	SCREW	17	11
10-37370	SCREW, COVER TO FUEL PUMP (5/8")	25	13	10-62568	SCREW, FRONT AND REAR BRACKET ATTACHING ..	9	33
10-37370	SCREW, SHIELD TO TOP COWL (5/8")	3	7	10-62568	SCREW, FUEL LINE CLIP (3/8")	25	27
10-37558	SCREW, RETAINER TO TOP COL (1 1/4")	3	4	10-62568	SCREW, GROUND STRAP ATTACHING	43	6C
10-37559	SCREW	13	18	10-62568	SCREW, GROUND STRAP ATTACHING (3/8")	9	6
10-37562	SCREW, REAR BRACKET TO BOTTOM COWL (1")	3	27	10-62568	SCREW, GROUND STRAP ATTACHING (3/8")	29	37
10-37562	SCREW, REAR BRACKET TO FRAME (1")	3	24	10-62568	SCREW, IGNITION COIL WIRE TO SWITCH BOX (3/8")	11	9
10-37571	SCREW	35	5	10-62568	SCREW, STATOR LEAD CLIP FASTENING (3/8")	7	14
10-37656	SCREW, RECITIFIER TO FRONT BRACKET (5/8") ..	17	39	10-62568	SCREW, STATOR LEADS TO TERMINAL BLOCK (3/8") ..	17	14
10-37892	SCREW	13	29	10-62568	SCRWE, MERCURY SEITCH LEAD	27	24
10-38257	SCREW, VENT - HYDAULIC PUMP	55	7	10-64022	SCREW, STOP BRACKET ADJUSTING (2 1/8")	15	44
10-38257	SCREW, VENT - HYDRAULIC PUMP	57	5	10-64279	SCREW	17	18
10-38601	SCREW, SOLENOID TO BOTTOM COWL (5/8")	17	29	10-65210	SCREW	51	74
10-45263	SCREW	61	8	10-65774	SCREW, DISTRIBUTOR CAP CLAMP (1 1/8")	9	16
10-45264	SCREW	61	4	10-66023	SCREW	35	10
10-45265	SCREW, BLEED - SHOCK CYLINDER	61	2	10-66023	SCREW, ADAPTOR PLATE HOUSING PLATE (2")	35	8
10-45328	SCREW	61	19	10-66024	SCREW, TRIM TAB TO GEAR HOUSING (1 3/4") ..	51	71
10-45775	SCREW, MAIN BEARING CLAMPING	31	17	10-66104	SCREW, THROTTLE BRACKET MOUNTING	19	11
10-47255	SCREW	61	31	10-66686	SCREW, FUEL PUMP TO BASE (1")	25	15
10-47828	SCREW, DRIVE - SWIVEL BRACKET	37	6	10-66687	SCREW, FUEL PUMP TO BOTTOM COWL (1 1/2") ..	25	17
10-48408	SCREW	33	15	10-68298	BOLT	61	9
10-48408	SCREW, DRIP TRAY TO BOTTOM COWL (1/2")	33	4	10-68298	BOLT, CLAMP BRACKET TO BOAT TRANSOM (LOWER)	39	13
10-48591	SCREW, SPACER TO BOTTOM COWL (1/2")	33	8	10-68298	BOLT, HYDRAULIC PUMP TO BOAT (3 1/4")	57	26
10-48591	SCREW, STRAP TO CHILE RDO (1/2")	19	23				
10-48675	SCREW, ADJUSTING	13	25				
10-49318	SCREW, LOWER MOUNT (5 1/2")	43	25				

PARTS INDEX

Part Number	Description	Pg.	Ref. No.	Part Number	Description	Pg.	Ref. No.
10-68513	SCREW	61	27	11-25269	NUT, STRAP STOP		
10-68554	SCREW, PULLEY CLAMPING	15	56		FASTENING SCREW	37	13
10-68997	SCREW, PLATE/HUB TO FLEX. PLATE	7	6	11-26768	NUT, DISTRIBUTOR CAP		
10-69020	SCREW	17	4	11-28770	CLAMP SCREW	9	17
10-69028	SCREW	59	41	11-28770	NUT	3	36
10-69029	SCREW, ADAPTOR TO BOTTOM COWL (1 3/4")	25	38	11-28770	NUT	61	18
10-69029	SCREW, SUPPORT TO BOTTOM COWL (1 3/4")	33	11	11-29250	NUT, CLAMP BRACKET	39	11
10-69034	SCREW, END CAP MOUNTING	29	6	11-29250	STUD	27	19
10-69034	SCREW, END CAP MOUNTING (1")	29	12	11-29488	NUT	27	19
10-69035	SCREW, WIRE CABLE TO STARTER MOTOR	17	21	11-29488	NUT, INLET COVER SCREW	63	40
10-69046	SCREW, COIL TO CYLINDER BLOCK (2")	11	4	11-29489	NUT	43	32
10-69052	SCREW, GROUND WIRE TO BOTTOM COWL	17	8	11-29598	NUT	3	23
10-69092	SCREW	3	30	11-34932	NUT, POWERHEAD STUD	35	23
10-69100	SCREW, COVER MOUNT (1")	29	25	11-34933	NUT	43	30
10-69100	SCREW, TRANSFER PORT COVER MOUNTING (1")	29	32	11-34933	NUT	51	73
10-69235	SCREW	27	23	11-34933	NUT, STEERING ARM BOLT		
10-69267	SCREW, TOP COVER ATTACHING (1 3/4")	27	10	11-34933	FASTENING	37	19
10-69268	SCREW, BOTTOM COVER ATTACHING (1 7/8")	27	14	11-34933	NUT, UPPER MOUNT BOLT	43	23
10-69375	SCREW, UPPER AND LOWER SHOCK MOUNTING PIN	41	41	11-35521	NUT, LOWER MOUNT		
10-69762	SCREW, TOP COVER ATTACHING (1 3/8")	27	10	11-35521	CLAMP COVER	45	38
10-73657	SCREW, CRANKCASE TO CYLINDER BLOCK (1 1/2")	27	17	11-35814	NUT, WATER PUMP BODY		
10-75840	SCREW, STATOR TO UPPER END CAP (7/8")	7	12	11-35814	FASTENING STUD	49	34
10-76196	SCREW, STRAP TO CHOKE KNOB (5/8")	19	20	11-35888	NUT, RUBBER MOUNT TO TOP COWL FRAME	3	19
10-77167	SCREW	53	74	11-35888	NUT, THROTTLE CABLE TO LOWER SWIVEL	13	23
10-78492A1	THUMB SCREW ASSEMBLY	39	2	11-35888	NUT, UPPER LINK ROD THROTTLE CONTROL LEVER	13	17
10-78495	SCREW, WASHER ATTACHING	39	2A	11-35888	NUT, WATER PUMP		
10-79953	SCREW, GREASE FILLER AND VENT HOLE	49	47	11-35888	FASTENING SCREW	49	32
11-20110	NUT	19	31	11-35921	NUT, PINION GEAR TO DRIVE SHAFT	47	10
11-20110	NUT, CHOKE SHUTTER TO CARBURETOR STUD	19	27	11-36069	NUT, LINK ROD	33	22
11-20509	NUT, THROTTLE CONTROL LEVER SCREW	13	21	11-45076	NUT, IGNITION COIL TERMINAL (#10)	11	7
11-20696	NUT, SHOCK CYLINDER SCREW	61	21	11-45076	NUT, STATOR LEADS TO RECTIFIER	17	42
11-21825	NUT, STARTER SOLENOID SCREW	59	45	11-45076	NUT, SWITCH BOX TERMINAL	17	16
11-21908	NUT, MOUNTING BRACKET SCREW	57	25	11-45774	NUT, MAIN BEARING		
11-24656	NUT	57	37	11-45774	CLAMPING SCREW	31	18
11-25096	NUT, LOWER MOUNT SCREW	43	27	11-45812	NUT, JAM - LIMIT SWITCH		
				11-45812	ADJUSTING STUD	61	24
				11-46438	NUT, STRAP TO CHOKE		
				11-46438	ROD SCREW	19	24
				11-46887	NUT, BEARING CLAMPING SCREW	31	14
				11-46887	NUT, CHOKE ROD SPRING TO CARBURETOR STUD	19	35
				11-46887	NUT, LOWER SHOCK PIN SCREW	41	33
				11-46887	NUT, SWITCH BOX SCREW	17	19
				11-47661	NUT, JAM - PUSH ROD	43	16
				11-49091	NUT, CONNECTING ROD SCREW	31	29
				11-52707	NUT, PROPELLER	53	77
				11-52901	NUT	7	2
				11-53153	NUT, REED STOP SCREW	31	22

PARTS INDEX

Part Number	Description	Pg.	Ref. No.	Part Number	Description	Pg.	Ref. No.
11-56041	NUT, TILT TUBE FASTENING	39	6	12-35462	WASHER, TIMING POINTER		
11-64015	NUT	13	26		SCREW	29	35
11-64015	NUT, STARTER MOTOR			12-36001	WASHER, WATER PUMP		
	TERMINAL	17	27		BODY FASTENING STUD	49	33
11-64015	NUT, STO BRACKET			12-37807	WASHER	61	20
	ADJUSTING SCREW	15	45	12-45176	WASHER	43	31
11-64809	NUT, CARBURETOR			12-45176	WASHER	43	33
	MOUNTING STUD	23	35	12-45176	WASHER	51	72
11-68219	NUT, SOLENOID TERMINAL	19	3	12-46246	WASHER, ADAPTOR -		
11-68219	NUT, SOLENOID TERMINAL				DISTRIBUTOR HOUSING	13	34
	(#10)	17	33	12-47247	WASHER, NEEDLE		
11-68219	NUT, STARTER SOLENOID				LOCATING	31	31
	TERMINAL (#10)	57	30	12-47840	WASHER, RUBBER - UPPER		
11-68292	NUT, SOLENOID TERMINAL				MOUNT BOLT	43	21
	(5/16")	17	36	12-49339	WASHER, LOWER MOUNT		
11-68292	NUT, STARTER SOLENOID				SCREW	43	26
	TERMINAL (5/16")	57	32	12-52864	WASHER, CLAMP BRACKET		
11-68411	NUT, CLAMP BRACKET				TILT TUBE	39	5
	BOLT	39	15	12-53540	WASHER	13	5
11-68411	NUT, HYDRAULIC PUMP			12-59378	WASHER, LOWER BUSHING		
	BOLT	57	27		RETAINER (INNER)	41	39
11-68411	NUT, MOUNTING BRACKET			12-59572	WASHER, COVER		
	BOLT	61	11		FASTENING KNOB		
11-69254	NUT, POWERHEAD STUDS				(PLASTIC)	5	4
	(3/4-24)	43	11	12-68229	WASHER, FLYWHEEL NUT	7	3
12-20084	WASHER, DISTRIBUTOR			12-68300	WASHER, CLAMP BRACKET		
	HOUSING SCREW	13	38		BOLT (UPPER)	39	14
12-20260	WASHER	49	48	12-68410	WASHER, CLAMP BRACKET		
12-20260	WASHER	57	4		BOLT (LOWER)	39	14
12-20260	WASHER, SEALING - FILLER			12-68410	WASHER, MOUNTING		
	SCREW	55	9		BRACKET BOLT	61	10
12-20878	WASHER, INLET COVER			12-69342	WASHER, SWIVEL PIN -		
	SCREW	61	39		UPPER	37	4
12-22753	WASHER	27	18	12-69374	WASHER	41	40
12-25970	WASHER, POWERHEAD			12-69380	WASHER, SWIVEL PIN -		
	STUD	35	22		LOWER	37	10
12-25970	WASHER, POWERHEAD			12-70132	WASHER	29	16
	STUDS	43	12	12-76388	WASHER, TILT LOCK		
12-27939	WASHER, SIDTRIBUTOR				(STARBOARD SIDE ONLY)	39	25B
	HOUSING	15	47	12-76805	WASHER	51	62
12-28196	WASHER, UPPER BUSHING			12-77674	WASHER, RUBBER - SHIFT		
	RETAINER (INNER)	41	38		SHAFT BUSHING	49	44
12-29245	WASHER	49	31	12-78493	WASHER, THUMB SCREW	39	2B
12-29245	WASHER, MEGAPHONE			13-26992	LOCKWASHER	3	31
	SCREW	35	21	13-26992	LOCKWASHER	17	30
12-29245	WASHER, THROTTLE			13-26992	LOCKWASHER	57	15
	CONTROL LEVER SWIVEL	13	16	13-26992	LOCKWASHER REAR HOOK		
12-29395	WASHER, THROTTLE				MOUNTING SCREW	3	15
	CONTROL LEVER SCREW	13	19	13-26992	LOCKWASHER, GROUND		
12-30164	WASHER	13	30		WIRE SCREW	17	9
12-30164	WASHER, COIL SCREW	11	5	13-26992	LOCKWASHER, MOUNTING		
12-30164	WASHER, WIRING HARNESS				BRACKET SCREW	57	36
	CLAMP SCREW	17	6	13-26992	LOCKWASHER, MOUNTING		
12-30771	WASHER, COVER				BRACKET SCREW	59	42
	FASTENING KNOB			13-26992	LOCKWASHER, STARTER		
	(RUBBER)	5	3		MOTOR TERMINAL	17	26
12-31263	WASHER, UPPER MOUNT			13-26992	LOCKWASHER, STARTER		
	BOLT	43	22		SOLENOID SCREW	59	44
12-35462	WASHER, LINK ROD	33	21	13-26992	LOCKWASHER, WATER		
					PUMP BODY SCREW	49	30

PARTS INDEX

Part Number	Description	Pg.	Ref. No.	Part Number	Description	Pg.	Ref. No.
13-26992	LOCWASHER	3	22	15-55853	SHIM, BALL BEARING TO DISTRIBUTOR HOUSING	9	8
13-26993	LOCKWASHER	3	35	15-57007A1	SHIM, BALL BEARING TO BASE	47	11
13-26993	LOCKWASHER	57	31	16-21085	STUD, ADJUSTING - CUT-OUT LIMIT SWITCH (15/16")	61	23
13-26993	LOCKWASHER, CHOKE SOLENOID SCREW	19	5	16-30667	STUD	47	6
13-26993	LOCKWASHER, CLAMP BRACKET STUD	39	10	16-39937	STUD, CHOKE ROD SPRING TO CARBURETOR	19	33
13-26993	LOCKWASHER, FRONT BRACKET SCREW	3	33	16-45282	STUD, MOUNTING BRACKET AND CLAMP BRACKET	61	16
13-26993	LOCKWASHER, REAR BRACKET SCREW	3	26	16-56295	STUD, DRIVE SHAFT HOUSING (LONG SHAFT)	43	2
13-26993	LOCKWASHER, REAR SUPPORT BRACKET SCREW	3	28	16-56297	STUD	47	5
13-26993	LOCKWASHER, SOLENOID TERMINAL (5/16")	17	35	16-57920	STUD	47	4
13-26993	LOCKWASHER, TOP COVER SCREWS	27	11	16-57921	STUD	47	3
13-26993	LOCKWASHER, BOTTOM COVER SCREW	27	15	16-59625	STUD	39	9
13-26995	LOCKWASHER, FLOAT BOWL COVER SCREW	21	15	16-64280	STUD, CARBURETOR MOUNTING (1 3/16")	27	4
13-26996	LACKWASHER	13	31	16-64281	STUD	27	5
13-26996	LOCKWASHER	57	29	16-64282	STUD	27	8
13-26996	LOCKWASHER, RETAINING PLATE AND CAM SCREW	61	28	16-69037	STUD, CARBURETOR-CHOKE SHUTTER PIVOT	19	26
13-26996	LOCKWASHER, SOLENOID TERMINAL	19	2	16-77168	STUD, DRIVE SHAFT HOUSING (EXTRA LONG SHAFT)	43	2
13-26996	LOCKWASHER, SOLENOID TERMINAL (#10)	17	32	16-77169	STUD	47	3
13-26996	LOCKWASHER, THRU BOLT	55	18	16-77173	STUD	47	4
13-26996	LOCKWASHER, WIRING HARNESS CLAMP SCREW	17	5	17-20032	DOWEL PIN, CENTER MAIN BEARING	31	8
13-27959	WASHER	15	49	17-20032	DOWEL PIN, MAIN BEARING	31	16
13-29720	WASHER, WAVE - LINK ROD	33	23	17-20033	PIN, DOWEL-CRANKCASE TO CYLINDER BLOCK	27	6
13-37371	LOCKWASHER, SHIELD SCREW	3	8	17-21433	DOWEL PIN, SPACER EXTRA LONG SHAFT	45	--
13-39107	LOCKWASHER, MOUNTING BRACKET SCREW	57	24	17-23784	DOWEL PIN, DRIVE SHAFT HOUSING PLATE	35	17
13-39107	LOCKWASHER, RETAINER TO TOP COWL SCREW	3	5	17-23784	DOWL PIN, EXHAUST EXTENSION PLATE	35	6
13-3995	WASHER, WAVE - THROTTLE CONTROL LEVER SWIVEL	13	15	17-26618	PIN, DOWEL - PULLEY TO FLYWHEEL	7	7
13-69150	WASHER	39	25	17-27961	PIN, ECONOMIZER COLLAR - SPRING RETAINER	13	7
14-20091	TAB WASHER, BEARING LOCKING SCREW	27	21	17-27962	PIN, ANCHOR SPRING - DISTRIBUTOR HOUSING	13	3
14-27960	TAB WASHER, ADAPTOR CAP FASTENING	15	48	17-29077	ROLL PIN, TENSION SPRING TO KNOB	5	6
14-31210	TAB WASHER, PROPELLER NUT	53	76	17-29908	PIN, ROLL - FLANGE LOCATING	15	53
14-52700	TAB WASHER, GEAR HOUSING COVER	51	68	17-30632	PIN, CROSS - RATCHET TO PROPELLER SHAFT	51	58
15-20085A1	SHIM, END CAP TO CRANKCASE(.002-3-5-10)	29	11	17-35973	DOWEL PIN	47	19
15-21148A1	SHIM, BALL BEARING TO SPACER	9	10	17-38311	PIN, COIL SPRING MOUNTING	39	18
15-30923A1	SHIM	51	53	17-46912	DOWEL PIN, GEAR HOUSING LOCATING	47	2
				17-47175	PIN, LOCKING LEVER AND COVER FASTENING	33	27
				17-47246	DOWEL PIN, STEPPED	31	12

PARTS INDEX

Part Number	Description	Pg.	Ref. No.	Part Number	Description	Pg.	Ref. No.
17-49930A1	TILT LOCK PIN ASSEMBLY	39	12	23-28196	BUSHING, RUBBER - SHOCK		
17-58998	PIN, ROLL - COWL LATCH				ABSORBER (LOWER)	41	36
	LEVER TO HINGE	3	12	23-28688	SPACER, RUBBER - COIL		
17-63779	PIN, DOWEL-CYLINDER				SPRING POSITIONING	39	19
	BOLCK TO MAIN BEARING	27	7	23-29804	SLEEVE, GUIDE - WATER		
17-73593A1	SWIVEL PIN AND ARM				INLET TUBE	49	36
	ASSEMBLY	37	14	23-32171	BUSHING, RUBBER - SHOCK		
18-25191	COTTER PIN, PUSH ROD				ABSORBER (UPPER)	41	35
	PIN	43	19	23-32427	SPACER, CHOKE ROD		
18-36391	COTTER PIN, MOUNTING				SPRING STUD	19	34
	TUBE PIN	63	47	23-35977	GROMMET	63	43
18-45882	COTTER PIN, REVERSE			23-45280	SPACER, SHOCK CYLINDER		
	LOCK TO SHAFT	41	30		- LOWER	61	5
18-47959	COTTER PIN, TILT LOCK	39	26	23-45281	BUSHING, RUBBER - SHOCK		
19-45907	PLUG, FLYWHEEL PULLER				CYLINDER	61	6
	THREADS	7	1	23-45354	BUSHING, RUBBER - CUT-		
19-64649	PLUG, PLASTIC - TRIMB TAB				OUT LIMIT SWITCH	61	30
	SCREW HOLE	43	3	23-45818	BUSHING, THROTTLE		
21-30430A7	CHECK VALVE ASSEMBLY	25	2		CONTROL LEVER SCREW	13	20
21-77560	CHECK VALVE, BLEED			23-47250	SPACER, DRIVE PULLEY	15	51
	HOSE-UPPER	27	25	23-48674	SPACER, THROTTLE		
21-77561	CHECK VALVE, BLEED				ACTUATOR PLATE		
	HOSE-LOWER	27	27		SCREW	13	32
22-20781	ELBOW, BALANCE HOSE	27	28	23-53538	SPACER, ROTOR SHAFT	9	11
22-25094	FITTING, GREASE -			23-53539	SLEEVE, ROTOR SHAFT	9	3
	DISTRUBUTOR ADAPTOR	13	36	23-56774	SPACER, COLLAR TO TOP		
22-25094	FITTING, GREASE -				MOUNTING CAP	17	23
	ECONOMIZER COLLAR	13	8	23-59624	SPACER, CLAMP BRACKET		
22-32802	PLUG, PIPE - EXHAUST				STUD	39	8
	MANIFOLD COVER	29	22	23-62238--1	SLEEVE, SPARK PLUG LEAD		
22-46008	PLUG, CONTROL VALVE				(7")	9	28A
	(1/2-20")	57	17	23-69132	BUSHING, REVERSE LOCK		
22-63981	ELBOW, FUEL LINE TO				PIVOT SHAFT	37	2
	ADAPTOR	25	24	23-69341	BUSHING, SWIVEL		
22-64704	FITTING, ELBOW-LOWER				BRACKET	37	3
	CARBURETOR	25	31	23-70412	SPACER, BALL BEARING TO		
22-64704	FITTING, FUEL OUTLET	25	14		BASE	47	11
22-64704	FITTING, PULSE LINE (90			23-73203	SPACER	41	37
	DEG.)	25	18	23-77631A2	BUSHING ASSEMBLY, SHIFT		
22-64704	FITTING, PULSE LINE TO				SHAFT	49	42
	TRANSFER COVER (90			24-20099	SPRING, LINK ROD TO		
	DEG.)	25	22		GUIDE BLOCK	33	31
22-64706	FITTING, TEE-CENTER			24-23067	SPRING, ADAPTOR STEM	25	35
	CARBURETOR	25	30	24-24390	SPRING, TENSION -		
22-66328	FITTING, TEE-UPPER				ADJUSTING STUD	61	22
	CARBURETOR	25	29	24-27944	SPRING, HORSESHOE -		
22-67892	PLUG, DRAIN (MAGNETIC)	49	47		DISTRIBUTOR HOUSING	13	4
22-68307	PLUG, PIPE - CYLINDER			24-28659	SPRING, COIL - SWIVEL		
	BLOCK COVER	29	27		BRACKET	39	17
22-74036	FITTING, GREASE - SWIVEL			24-28975	SPRING, GARTER -		
	BRACKET	37	7		INTERNAL WIRING		
22-74036	GREASE FITTING	61	1A	24-30622	HARNESS	17	7
22-78279	ELBOW, TELL TALE HOSE				SPRING, COMPRESSION -		
	TO CYLINDER BLOCK	33	16	24-30772	CAM FOLLOWER	51	52
22-78742	TEE, BALANCE HOSE	27	30		SPRING TENSION -		
22-85822A1	CONNECTOR ASSEMBLY,			24-30893	FASTENING KNOB	5	5
	SPEEDOMETER	47	1A		SPRING, RETAINING -		
23-26600	BUSHING, SHIFT SHAFT	33	18	24-35522	CROSS PIN	51	59
					SPRING, TENSION - LOWER		
					MOUNT CLAMP	43	35

PARTS INDEX

Part Number	Description	Pg.	Ref. No.	Part Number	Description	Pg.	Ref. No.
24-45272	SPRING, TENSION - LIMIT SWITCH PLUNGER	61	15	26-76868	OIL SEAL, BEARING CARRIER	51	66
24-48230	SPRING, CHOKE ROD TENSION	19	32	27-32433	GASKET, LOWER	47	20
24-57818	SPRING, UPPER FILTER SCREEN SCREW	19	30	27-32434	GASKET, UPPER	49	22
24-68434	SPRING, PLUSE LINE	25	19	27-33146	GASKET, WATER PUMP BASE	47	14
24-78203A1	SPRING, REVERSE LOCK TENSION	39	28	27-45274	GASKET, INLET COVER . . .	61	36
25-20116	BROMMET, CHOKE ROD . .	19	18	27-45275	GASKET, LIMIT SWITCH COVER	61	33
25-20415	"O" RING, ADAPTOR STEM .	25	36	27-48164	GASKET, CARBURETOR FLANGE	23	34
25-21720	"O" RING	57	--	27-53862	GASKET, CRANKCASE TO CYLINDER BLOCK	27	2
25-21720	"O" RING	57	12	27-55896	GASKET, DISTRUBUTOR CAP	9	24
25-21720	"O" RING, HYDRAULIC PUMP	55	1	27-60476A75	GASKET SET	1	-
25-21720	"O" RING, HYDRAULIC PUMP TO MANIFOLD PLATE	57	2	27-60476A75	GASKET SET	9	-
25-25439	"O"RING, SHIFT SHAFT BUSHING	49	41	27-60476A75	GASKET SET	23	--
25-26547	GROMMET, SPARK PLUG LEADS	9	29	27-60476A75	GASKET SET	25	-
25-26547	GROMMETT, HIGH TENSION CABLE	9	19	27-60476A75	GASKET SET	27	-
25-29976	"O"RING, BEARING CARRIER	51	63	27-60476A75	GASKET SET	29	-
25-30271	RING	49	35	27-60476A75	GASKET SET	31	--
25-32546	"O" RING, END CAP	29	10	27-60476A75	GASKET SET	35	-
25-33145	"O"RING, WATER PUMP BASE	47	15	27-60476A75	GASKET SET	41	-
25-45016	"O" RING, SHOCK CYLINDER BLEED SCREW	61	3	27-60476A75	GASKET SET	49	-
25-45253	"O" RING	57	13	27-60476A75	GASKET SET	53	-
25-45254	"O" RING	57	11	27-62362	GASKET	35	18
25-45507	GROMMET, RUBBER - INLET COVER	61	37	27-64941	GASKET, TRANSFER PORT COVER	29	31
25-47254	"O"RING	29	4	27-66102	GASKET, PLATE TO DRIVE SHAFT HSG. PLATE	35	11
25-57806	GROMMET, PLASTIC - TRIM COVER SCREW	43	6A	27-69238	GASKET, POWERHEAD TO EXTENSION PLATE	35	7
25-62702	"O" RING, TILT LOCK	39	25C	27-72142	GASKET, WATER JACKET COVER	29	14
26-22734	OIL SEAL, SWIVEL BRACKET (TILT LOCK) . .	39	25A	27-72506	GASKET, CYLINDER BLOCK COVER	29	24
26-29476	OIL SEAL, END CAP	29	3	27-72507	GASKET, CYLINDER BLOCK TO BAFFLE PLATE	29	17
26-29476	OIL SEAL, END CAP	29	9	27-72509	GASKET	29	19
26-31489	OIL SEAL, WATER PUMP BASE	47	17	28-29910	KEY, DISTRUBUTOR DRIVER	15	55
26-31507	OIL SEAL, WATER PUMP BASE	47	18	28-30281	KEY, LOCATING - BEARING CARRIER	51	67
26-37448	OIL SEAL, SWIVEL BRACKET	37	5	28-56654	KEY, IMPELLER DRIVE	49	28
26-38970	SEAL, RUBBER - WATER INLET TUBE	35	16	29-47270	BEARING, NEEDLE - PISTON PIN	31	30
26-38970	SEAL, RUBBER - WATER INLET TUBE	49	26	29-52168	BEARING, NEEDLE - OUTER RACE	31	9
26-55682A1	SEAL REPAIR KIT	49	-	30-20066	BALL BEARING, DISTRUBUTOR HOUSING (UPPER)	9	1
26-60898	SEAL, DRIVE SHAFT HOUSING PLATE	35	14	30-26379	BALL BEARING, DISTRIBUTOR HOUSING (LOWER)	9	9
26-70608	OIL SEAL, STARBOARD MOUNTING BRACKET . . .	61	13	30-62567	BEARING, BALL - UPPER . .	31	3
				30-63742	BEARING, BALL - LOWER . .	31	4
				31-30894A1	TAPERED ROLLER BEARING ASSEMBLY	51	54

PARTS INDEX

Part Number	Description	Pg.	Ref. No.	Part Number	Description	Pg.	Ref. No.
31-30956	BEARING ROLLER - BEARING CARRIER	51	65	48-77340A4	PROPELLER ASSEMBLY (ALUMINUM)(PITCH 13") .	66	-
31-32898	BEARING, ROLLER - DRIVE SHAFT	47	7	48-77342A4	PROPELLER ASSEMBLY (ALUMINUM)(PITCH 15") .	66	-
31-62596A1	BEARING ASSEMBLY, CRANKPIN	31	27	48-77344A4	PROPELLER ASSEMBLY (ALUMINUM)(PITCH 17") .	66	-
31-69220	ROLLER BEARING, DRIVE SHAFT	47	12	48-77346A4	PROPELLER ASSEMBLY (ALUMINUM)(PITCH 19") .	66	-
32-34395A1	HOSE	33	13	48-77348A4	PROPELLER ASSEMBLY (ALUMINUM)(PITCH 21") .	66	-
32-34395A1	HOSE, DRIP TRAY TO BOTTOM COWL (8")	33	5	48-77350A4	PROPELLER ASSEMBLY (ALUMINUM)(PITCH 23") .	66	-
32-34395A1	HOSE,BALANCE-MAIN BEARING (6 1/4")	27	29	50-72467	STARTER MOTOR ASSEMBLY	17	25
32-45327	HOSE, TRIM	63	41	52-34239	RATCHET, SLIDING GEAR .	51	57
32-45959	HOSE, LIFT	63	42	53-26406	RING	9	12
32-54936	HOSE,BLEED (22")	27	26	53-26933	RING, SNAP - OUTER RACE	31	11
32-60897	TUBE, WATER INLET (LONG SHAFT)	43	7	53-29641	"E"RING, RETAINING - SHIFT SHAFT	49	40
32-70432	FUEL LINE	25	25	53-73591	RETAINING RING, BOTTOM YOKE ATTACHING	37	16A
32-70432	FUEL LINE, ADAPTOR TO FUEL PUMP (6 3/4")	25	23	54-22627	CLIP	7	13
32-70432	FUEL LINE, CARBURETOR TO CARBURETOR (6 1/4")	25	32	54-22627	CLIP,FUEL LINE ATTACHING	25	26
32-70732	PULSE LINE (3 1/4")	25	20	54-24871	CLIP, STATOR LEAD FASTENING (5/8")	7	13
32-77121	TUBE, WATER INLET (EXTRA LONG SHAFT) . .	43	7	54-26538	CLIP, STATOR LEADS TO BLOCK (1/8")	17	10
33-68057	SPARK PLAY (CHAMPOIN L-76V)	9	25	54-60768	CLAMP, DISTRIBUTOR CAP TO DISTRUBUTOR HSG. .	9	15
34-56007A1	REED SET, MATCHED - MAIN BEARING	31	19	54-68424	CLAMP, FUEL LINE ATTACHING	25	21
34-56008	REED STOP, MAIN BEARING REED VALVES	31	20	54-76368	CLAMP, WIRING HARNESS TO BOTTOM COWL	17	3
35-57819	SCREEN ASSEMBLY, FILTER-CARBURETOR . .	19	28	55-28414	PIN, LOWER SHOCK MOUNTING	41	31
35-59072	SCREEN, FILTER-INLET	25	8	55-28416	PIN, UPPER SHOCK MOUNTING	39	16
37-73291	DECAL, TIMING (FLYWHEEL)	3	17	55-58780A2	SHOCK ABSORBER	41	34
37-78597A78	DECAL SET - SERIAL GROUP #3	1	-	84-60466A1	CABLE ASSEMBLY	11	6
37-86434A79	DECAL SET - SERIAL GROUP #4	1	-	84-63212A2	SPARK PLUG	9	26
39-78811A12	RING, PISTON (.015 OVERSIZE)	31	--	84-66008A1	WIRE, GROUND	13	40
39-78816A12	RING, PISTON	31	25	84-66054A2	CABLE ASSEMBLY, COIL TO SWITCH BOX	11	8
40-52035	LOCK RING, PISTON PIN	31	24	84-69207A1	CABLE ASSEMBLY, CAP TO COIL	9	18
43-68447	FORWARD GEAR	51	56	84-69236	WIRING HARNESS, INTERNAL	17	1
43-68548	GEAR, PINION - DRIVE SHAFT	47	9	84-69237	CABLE, WIRE - STARTER MOTOR TO SOLENOID . .	17	34
43-76250	REVERSE GEAR	51	61	84-74023	CONNECTOR AND HARNESS	57	18
44-52542	SHAFT, PROPELLER	51	60	85-71006A1	PROCTECTOR, SPARK PLUG LEAD	9	27
45-69251	DRIVE SHAFT (LONG SHAFT)	47	8	89-68258	SOLENOID, STARTER	17	28
45-77159	DRIVE SHAFT (EXTRA LONG SHAFT)	47	8	89-68258	STARTER SOLENOID	57	28
46-64141A1	WATER PUMP BODY ASSEMBLY	49	23	90-79182	MERC 115 PARTS LIST	1	-
46-73804A1	WATER PUMP BASE ASSEMBLY	47	16	92-25234--1	GLUE, ADHESIVE - BLANKET FASTENING . . .	5	--
46-73804A3	WATER PUMP REPAIR KIT	49	-	92-27109--1	ADHESIVER COMPOUND, ELBLEM FASTENING	5	--
47-65960	IMPELLER, WATER PUMP	49	27				

PARTS INDEX

Part Number	Description	Pg.	Ref. No.	Part Number	Description	Pg.	Ref. No.
225-2494A30	FLYWHEEL ASSEMBLY, COMPLETE	7	4	1023-5070	COVER, CYLINDER BLOCK	29	23
225-2494A37	FLYWHEEL ASSEMBLY, COMPLETE	7	4	1134-3197A1	END CAP ASSEMBLY	29	2
332-2854	BOOT, HIGH TENSION CABLE TO COIL	9	20	1148-5410A1	END CAP ASSEMBLY, LOWER	29	7
332-2986A21	SWITCH BOX ASSEMBLY	17	15	1368-5702A19	CARBURETOR ASSEMBLY	21	1
332-4895A2	IGNITION COIL ASSEMBLY	11	1	1368-5702A19	CARBURETOR ASSEMBLY, COMPLETE	19	9
392-2529	SPRING SET, BRUSH TENSION	55	16	1368-5702A5	CARBURETOR ASSEMBLY	21	1
392-2618	CAN, VALVE BODY	55	3	1368-5702A5	CARBURETOR ASSEMBLY, COMPLETE	19	9
392-2623	WASHER, THRUST - ARMATURE	55	10	1395-4540	SCREW, BODY (IDLE TUBE)	21	21
392-2936	VALVE BODY AND GEAR ASSEMBLY	55	2	1395-4541	SCREW, PLUG-MAIN FUEL JET CHANNEL	23	29
392-2937	SEAL, RESERVOIR TO VALVE BODY AND GEAR	55	5	1395-4542	SCREW, PLUG-MAIN NOZZLE	21	27
392-2938	BOLT SET	55	17	1395-4543	SCREW, BODY CHANNEL	23	32
392-2939	RESERVOIR ASSEMBLY	55	6	1395-4555	INLET NEEDLE, SEAT AND GASKET	21	6
392-2940	PLATE ASSEMBLY, COMMUTATOR END	55	14	1395-4804	SCREW, FLOAT BOWL COVER	21	14
392-2941	BRUSH SET, COMMUTATOR END PLATE	55	15	1395-4808	GASKET AND PACKING SET (1 PER CARBURETOR)	23	--
392-2942	FIELD AND FRAME ASSEMBLY	55	12	1395-4868	INLET NEEDLE, SEAT AND GASKET	21	6
392-2943	ARMATURE, FIELD AND FRAME	55	11	1395-5108	SHUTTER, THROTTLE	21	22
392-2944	BALL, COMMUTATOR END PLATE	55	13	1395-5353	FLOAT ASSEMBLY	21	2
393-1293A1	BRUSH AND SPRING ASSEMBLY	9	--	1395-5405	REPAIR PARTS KIT (1 CARBURETOR)	23	--
393-3736A77	HOUSING ASSEMBLY, DISTRIBUTOR	9	4	1395-5680	COVER, FLOAT BOWL	21	10
393-3736A77	HOUSING ASSEMBLY, DISTRIBUTOR	13	1	1395-5733	JET, BOWL VENT (.092)	21	11
393-4312	ROTOR, DISTRIBUTOR	9	14	1395-5734	HOSE, ECONOMIZER	21	12
393-4313	DISC, ROTOR	9	13	1395-6029	JET, MAIN FUEL (.068)	23	28
393-4841A2	DISTRIBUTOR CAP ASSEMBLY	9	22	1395-6030	JET, MAIN FUEL (.070)	21	28
398-4793	STATOR, ALTERNATOR	7	11	1395-6207	JET, MAIN FUEL (.072)- STANDARD	21	28
436-6646A2	CRANKSHAFT ASSEMBLY	31	1	1395-7479	REPAIR PARTS KIT(1 PER CARBURETOR)	23	--
535-5397A4	CENTER MAIN BEARING ASSEMBLY	31	7	1399-3515	SCREW, IDLE ADJUSTMENT	21	25
540-5266A5	MAIN BEARING ASSEMBLY, VALVE TYPE	31	15	1399-3527	SHAFT, THROTTLE	21	19
622-4850A3	CONNECTING ROD AND CAP ASSEMBLY	31	26	1399-3794	JET, MAIN FUEL (.074)- STANDARD	21	28
745-6661A4	PISTON AND PISTON PIN ASSEMBLY	31	23	1399-6249	JET, BOWL VENT (.96)	21	11
745-6696A2	PISTON AND PISTON PIN ASSEMBLY (.015 OVERSIZE)	31	--	1399-97	LEVER, THROTTLE (SEE NOT BELOW)	21	17
852-6686A1	CYLINDER BLOCK AND CRANKCASE ASS'Y	27	1	1440-6625A3	CLAMP BRACKET ASSEMBLY	39	1
852-6686A1	CYLINDER BLOCK AND CRANKCASE ASS'Y	29	1	1482-6386A4	SWIVEL BRACKET ASSEMBLY	37	1
852-7405A3	CYLINDER BLOCK AND CRANKCASE ASS'Y	29	1	1573-5239A4	DRIVE SHAFT HOUSING ASSEMBLY	43	1
852-7405A3	CYLINDER BOLCK AND BRANKCASE ASS'Y	27	1	1623-6053A15	GEAR HOUSING ASS'Y, COMP. (LONG SHAFT)	47	-
				1623-6053A15	GEAR HOUSING ASS'Y, COMP.(LONG SHAFT)	51	-
				1623-6053A5	GEAR HOUSING ASS'Y	47	1
				1623-6053A5	GEAR HOUSING ASS'Y.	51	1
				1655-7333A23	GEAR HOUSING ASS'Y	47	1
				1655-7333A23	GEAR HOUSING ASS'Y	51	1
				1655-7333A24	GEAR HOUSING ASS'Y, COMP. (LONG SHAFT)	47	-

PARTS INDEX

Part Number	Description	Pg.	Ref. No.	Part Number	Description	Pg.	Ref. No.
1655-7333A24	GEAR HOUSING ASS'Y. COMP.(LONG SHAFT) ...	51	-				
1655-7333A26	GEAR HOUSING ASS'Y. COMP. (EXTRA LONG SHAFT)	51	-				
1655-7333A26	GEAR HOUSING ASS'Y. COMP.(EXTRA LONG SHAFT)	47	-				
2113-5631A4	COWL FRONT COVER ASSEMBLY (WITHOUT DECALS)	5	1				
2114-5999	TOP (WITHOUT DECALS) ..	3	1				
2115-6462	COWL, BOTTOM	33	1				
2436-4660A4	WRAP AROUND COWL ASSEMBLY	5	11				