



PARTS CATALOG

280 ENGINE

SERIAL NUMBER

280 TRS GM 350 V-8 1975-1976 4176250 THRU 4770199

TABLE OF CONTENTS:

CARBURETOR AND AUTOMATIC CHOKE	14
CARBURETOR ASSEMBLY, COMPLETE	16
CYLINDER BLOCK AND PISTONS	36
DISTRIBUTOR ASSEMBLY (MALLORY)	60
DISTRIBUTOR ASSEMBLY (MERCURY MARINE)	10
ENGINE MOUNTING	30
EXHAUST MANIFOLD AND EXHAUST ELBOW	20
FUEL PUMP AND FUEL FILTER	12
INTAKE MANIFOLD	42
OIL PAN AND OIL PUMP	40
PARTS INDEX	68
POWER STEERING COMPONENTS	48
POWER STEERING COMPONENTS (WITH HOSES)	46
REVERSE LOCK VALVE AND SHIFT ACTUATOR	58
ROCKER COVER AND CYLINDER HEAD	34
SHIFT ACTUATOR ASSEMBLY, COMPLETE	2
STARTER MOTOR AND ALTERNATOR	4
THERMOSTAT HOUSING ASSEMBLY	24
TRANSMISSION ASSEMBLY (STERN DRIVE) PAGE 1	50
TRANSMISSION ASSEMBLY (STERN DRIVE) PAGE 2	54
WATER DISTRIBUTION HOSES	32
WATER PUMP ASSEMBLY	26
WATER PUMP ASSEMBLY PLASTIC BODY	64
WIRING HARNESS, CIRCUIT BREAKER AND STARTER SOLENOID	8

NOTE: Indented description indicate that these parts are included in preceding assembly.

AR = As Required

NSS = Not Sold Separate

OPT = Optional

NS = Not Shown

NOTE: Following symbols are located in **SYM** column.

- = INCLUDES ONLY STANDARD PISTONS, PISTON RINGS AND CRANKSHAFT BEARINGS
- ▣ = NOTE B: B-70711A6 TRANSMISSION ASSEMBLY INCLUDES ALL PARTS FROM REFERENCE #1 THRU #109 AS LISTED ON
- ◇ = INDICATES PARTS INCLUDES WITH B-[1397-3309] GASKET KIT.
- ▲ = CONTENTS OF B-[63280A1] REPAIR KIT
- ⊕ = INDICATES PARTS INCLUDED WITH B-[1397-3465] OFF ENGINE KIT.

- † = INDICATES PARTS INCLUDED WITH B-[1397-3306] OVERHAUL KIT.
- = C-[27-72637A1] GASKET SET, INTAKE MANIFOLD (SERIAL #462709 AND BELOW)
- ♣ = C-[10-60169] SCREW IS USED ONLY WITH FLANGES HAVING 1", 1-1/8", 1-1/4" 1-3/8" SHAFT
- ❖ = CONTENTS OF B-[63222A1] SEALING KIT
- ♥ = C-[27-33395A1] GASKET SET , EXHAUST MANIFOLD

THESE PARTS BOOKS/FICHE CARD ARE COPYRIGHTED AND MAY NOT BE DISTRIBUTED OR REPRODUCED IN ANY OTHER FORMAT BY ANYONE OTHER THAN MERCURY MARINE WITHOUT THE PRIOR WRITTEN CONSENT OF MERCURY MARINE.

REPLACEMENT PARTS ! WARNING !

Electrical, ignition and fuel system components on MerCruiser Engines and Stern Drives are designed and manufactured to comply with U.S. Coast Guard Rules and Regulations to minimize risks of fire or explosion. Use of replacement electrical, ignition or fuel system components, which do not comply to these rules and regulations, could result in a fire or explosion hazard and should be voided.

When servicing the electrical, ignition and fuel systems, it is extremely important that all components are properly installed and tightened. If not, any electrical or ignition component opening would permit sparks to ignite fuel vapors from fuel system leaks, if they existed.

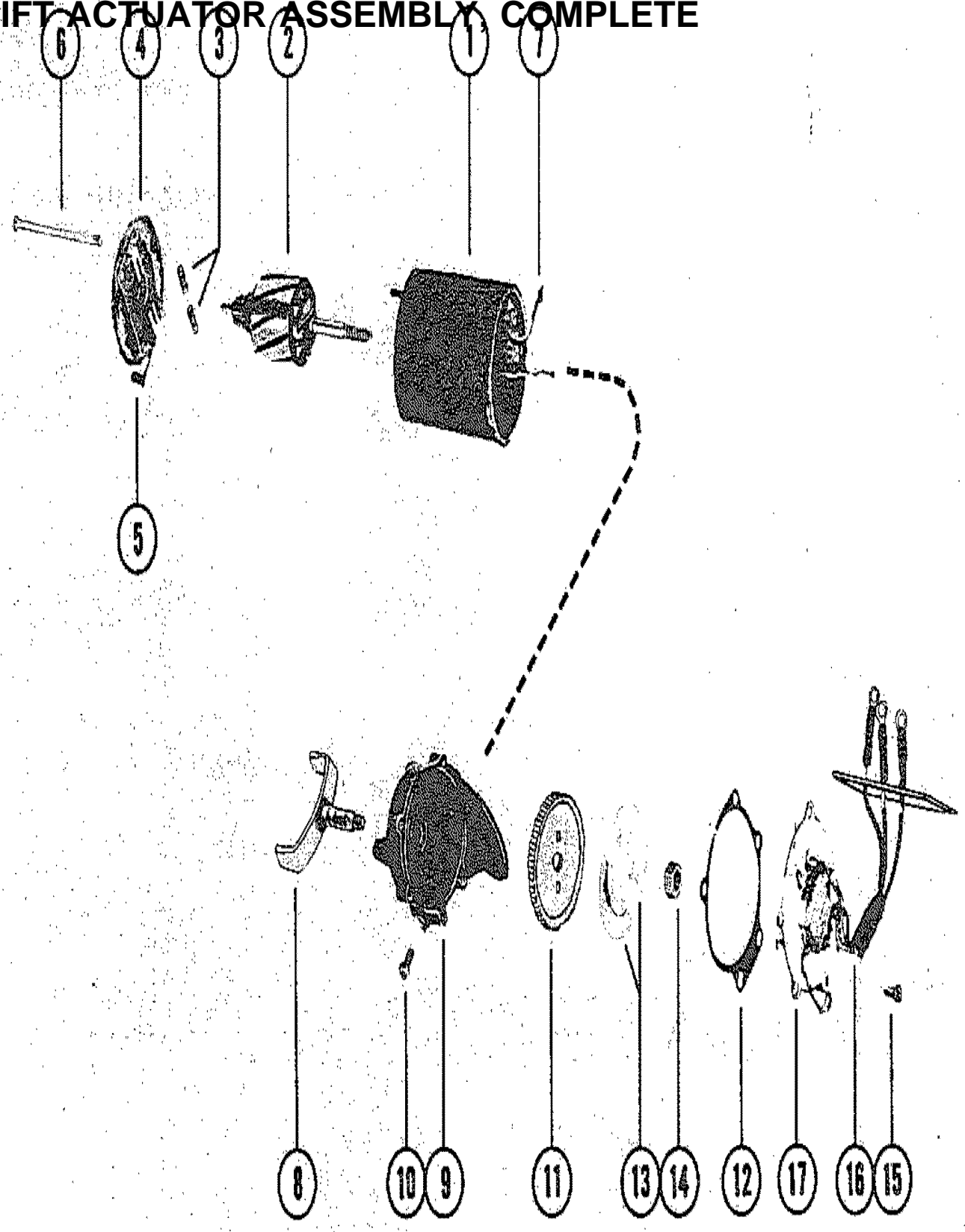
ENGINE MECHANICAL COMPONENTS

Many of the engine mechanical components are designed for marine applications. Unlike automotive engines, marine engines are subjected to extended periods of heavy load and wide- open-throttle operation, therefore, require heavy-duty components. Special marine engine parts have design and manufacturing specifications, which are required to provide long life and dependable performance. Marine engine parts also must be able to resist the corrosive action of salt or brackish water that will rust or corrode standard automotive parts within a short period of time.

Failure to use recommended Mercury Precision Parts OR Quicksilver service replacement parts can result in poor engine performance and/or durability, rapid corrosion of parts subjected to salt water and possibly complete failure of the engine.

Use of parts other than recommended service replacement parts will void the warranty on those parts which are damaged as a result of the use of other than recommended parts.

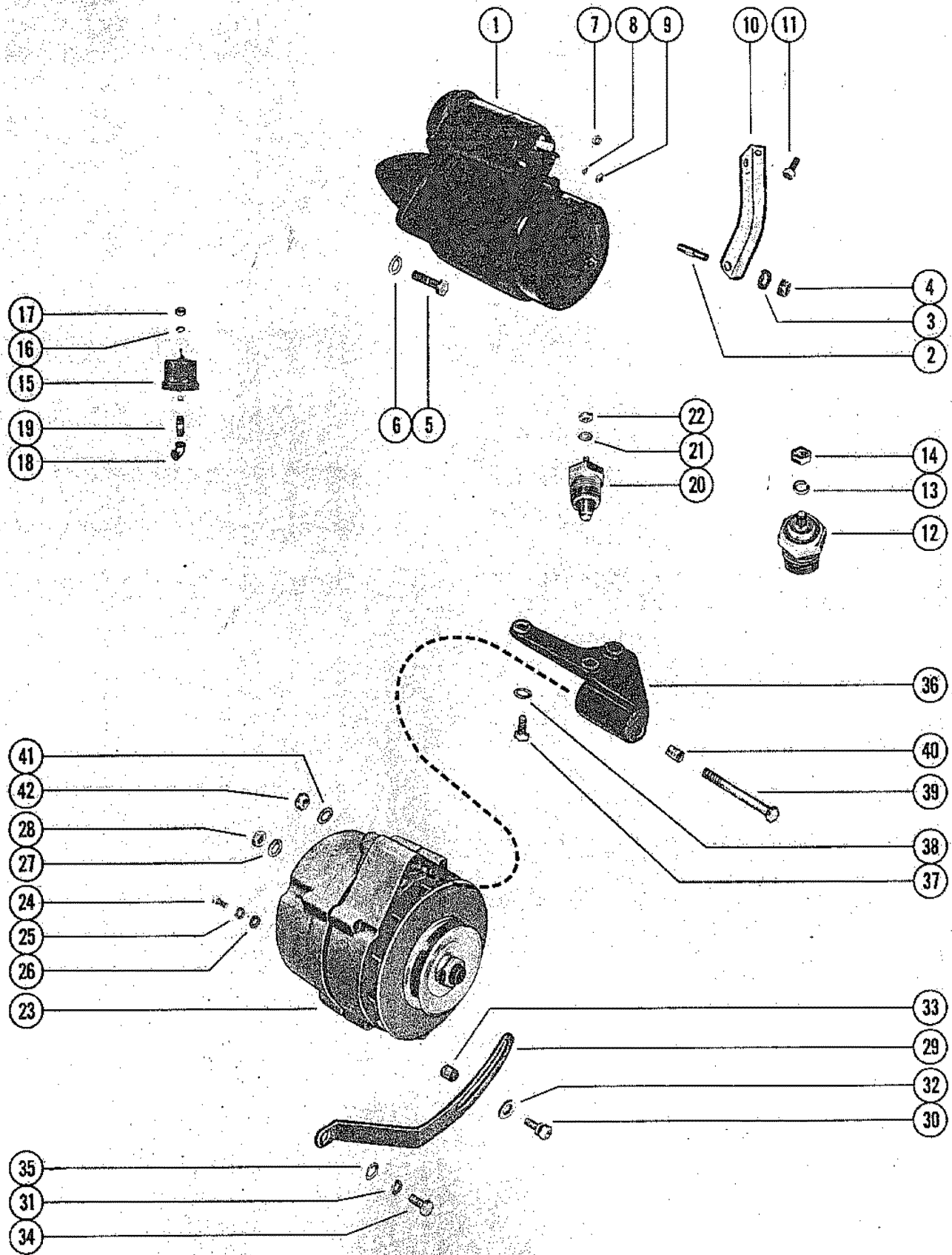
SHIFT ACTUATOR ASSEMBLY COMPLETE



SHIFT ACTUATOR ASSEMBLY, COMPLETE

REF. NO.	PART NO.	SYM.	QTY.	DESCRIPTION
1	69392		1	SHIFT ACTUATOR ASSEMBLY, COMPLETE COMPONENT PARTS OF THE SHIFT ACTUATOR NOT SHOWN ARE NOT SOLD SEPARATELY
2	392-4949		1	ARMATURE
3	392-4960		1	SPRING SET, BRUSH
4	392-4955		1	HEAD ASSEMBLY, COMMUTATOR END
5	392-4956		1	BRUSH SET
6	392-4962		2	THRU BOLT
7	392-5928		1	FIELD COIL ASSEMBLY
8	392-4951		1	CRANK ARM ASSEMBLY
9	392-4957		1	HEAD ASSEMBLY, DRIVE END
10	392-4959		1	SCREW AND DISC PACKAGE
11	392-4952		1	GEAR AND GASKET PACKAGE
12	392-4953		1	GASKET, COVER
13	392-4958		2	PLATE, CAM
14	11-20890		1	NUT, CRANK ARM
15	10-472220		4	SCREW, COVER ATTACHING (3/8")
16	392-5699		1	HARNESS ASSEMBLY (3 WIRE LEAD)
17	392-6375		1	SWITCH PLATE INCLUDES 1 PIECE OF REF. NO. 12

STARTER MOTOR AND ALTERNATOR

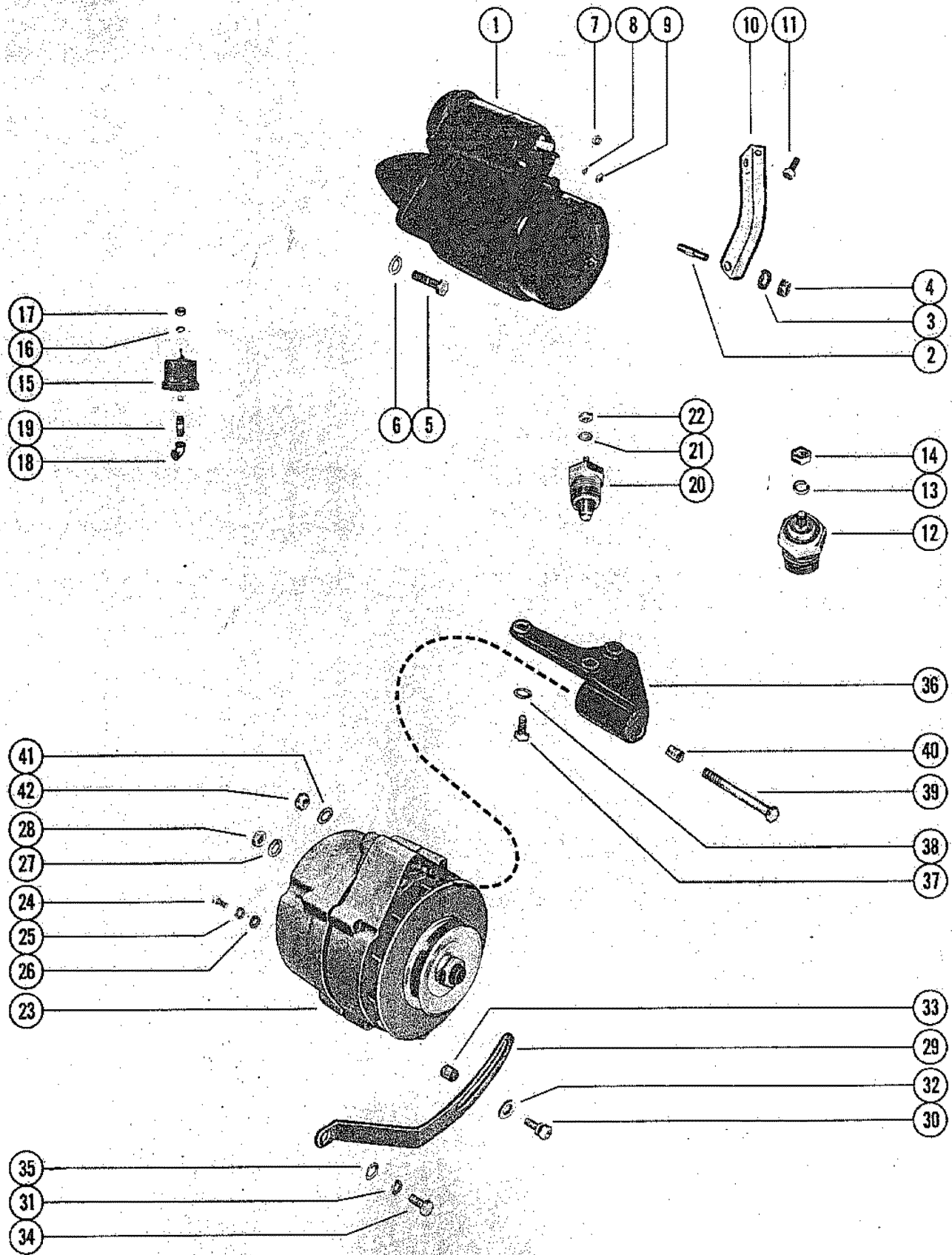


STARTER MOTOR AND ALTERNATOR

REF. NO.	PART NO.	SYM.	QTY.	DESCRIPTION
1	50-69864A1		1	STARTER MOTOR ASSEMBLY FOR BREAKDOWN OF STARTER MOTOR AND ALTERNATOR, SEE SECTION "E" OF MERCUISER ACCESSORY SECTION
2	16-52387		1	STUD, STARTER MOTOR
3	13-26992		1	LOCKWASHER, STARTER MOTOR STUD
4	11-20890		1	NUT, STARTER MOTOR STUD
5	10-34545		1	SCREW, STARTER MOTOR TO CYLINDER BLOCK (4 21/32")
	10-34544		1	SCREW, STARTER MOTOR TO CYLINDER BLOCK (1 5/16")
6	13-32993		2	LOCKWASHER, STARTER MOTOR SCREW
7	11-32219		1	NUT, STARTER TERMINAL (3/8")
8	13-26995		2	LOCKWASHER, STARTER TERMINAL (#8)
9	11-26419		2	NUT, STARTER TERMINAL (#8)
10	35363		1	BRACE, STARTER MOTOR
11	10-35765		1	SCREW, BRACE TO ENGINE (5/8")
12	34625		1	WATER TEMPERATURE SENDER ASSEMBLY
13	13-26996		1	LOCKWASHER, WATER TEMPERATURE SENDER TERMINAL (#10)
14	11-20645		1	NUT, WATER TEMPERATURE SENDER TERMINAL (#10)
15	34623		1	OIL PRESSURE SENDER ASSEMBLY
16	13-26996		1	LOCKWASHER, OIL PRESSURE SENDER TERMINAL (#10)
17	11-20645		1	NUT, OIL PRESSURE SENDER TERMINAL (#10)
18	22-46932		1	ELBOW, OIL PRESSURE SENDER
19	22-38992		1	NIPPLE, OIL PRESSURE SENDER
20	38559		1	SWITCH, OIL PRESSURE SERIAL 00000000-04499780
21	12-20878		1	WASHER, OIL PRESSURE SWITCH TERMINAL SERIAL 00000000-04499780
22	11-20645		1	NUT, OIL PRESSURE SWITCH TERMINAL SERIAL 00000000-04499780
23	69729		1	ALTERNATOR ASSEMBLY FOR BREAKDOWN OF STARTER MOTOR AND ALTERNATOR, SEE SECTION "E" OF MERCUISER ACCESSORY SECTION
24	10-20055		1	SCREW, GROUND CABLE TO ALTERNATOR
25	13-26996		1	LOCKWASHER, GROUND CABLE SCREW
26	12-30164		1	WASHER, GROUND CABLE SCREW
27	13-26991		1	LOCKWASHER, ALTERNATOR TERMINAL
28	11-68531		1	NUT, ALTERNATOR TERMINAL
29	47498		1	BRACE, ALTERNATOR ADJUSTING
30	10-74824		1	SCREW, ALTERNATOR BRACE TO ALTERNATOR (1 1/4")
31	13-39107		1	LOCKWASHER, ALTERNATOR BRACE SCREW
32	12-26168		1	WASHER, ALTERNATOR BRACE SCREW
33	23-36534		1	SPACER, ALTERNATOR BRACE SCREW
34	10-37612		1	SCREW, ALTERNATOR BRACE TO CYLINDER BLOCK (1 1/4")
35	13-35048		1	LOCKWASHER, ALTERNATOR BRACE SCREW
36	48104		1	BRACKET, ALTERNATOR MOUNTING

CONTINUED ON NEXT PAGE ➡

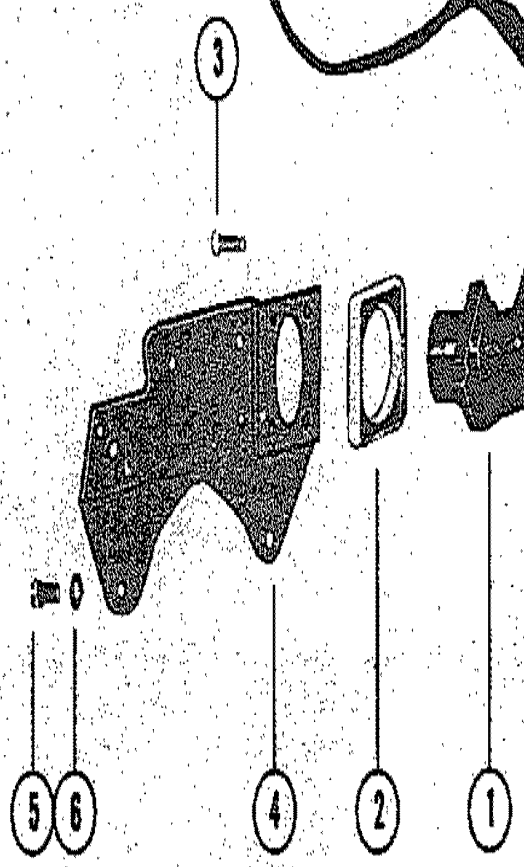
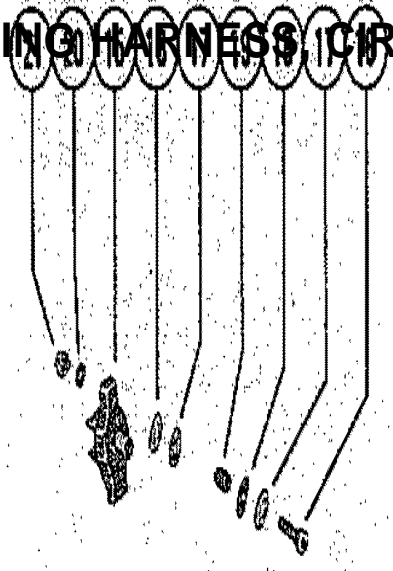
STARTER MOTOR AND ALTERNATOR



STARTER MOTOR AND ALTERNATOR

REF. NO.	PART NO.	SYM.	QTY.	DESCRIPTION
37	10-76926		3	SCREW, ALTERNATOR BRACKET TO EXHAUST MANIFOLD (7/8")
38	13-35048		3	LOCKWASHER, ALTERNATOR BRACKET SCREW
39	10-48308		1	SCREW, ALTERNATOR TO ALTERNATOR BRACKET (3 3/4")
40	23-33186		1	BUSHING, ALTERNATOR BRACKET SCREW
41	12-20553		2	WASHER, ALTERNATOR BRACKET SCREW
42	11-23161		1	NUT, ALTERNATOR BRACKET SCREW

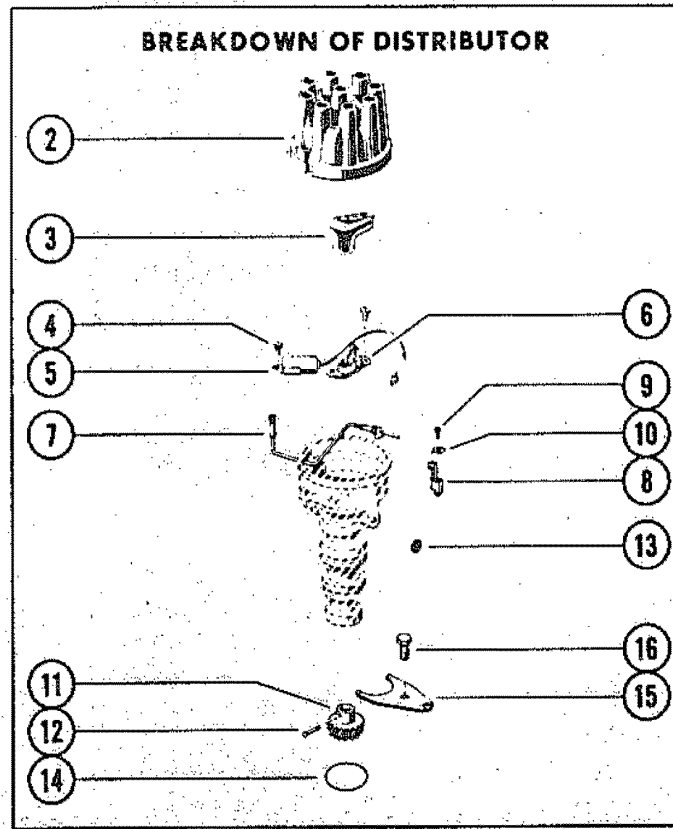
WIRING HARNESS, CIRCUIT BREAKER AND STARTER SOLENOID



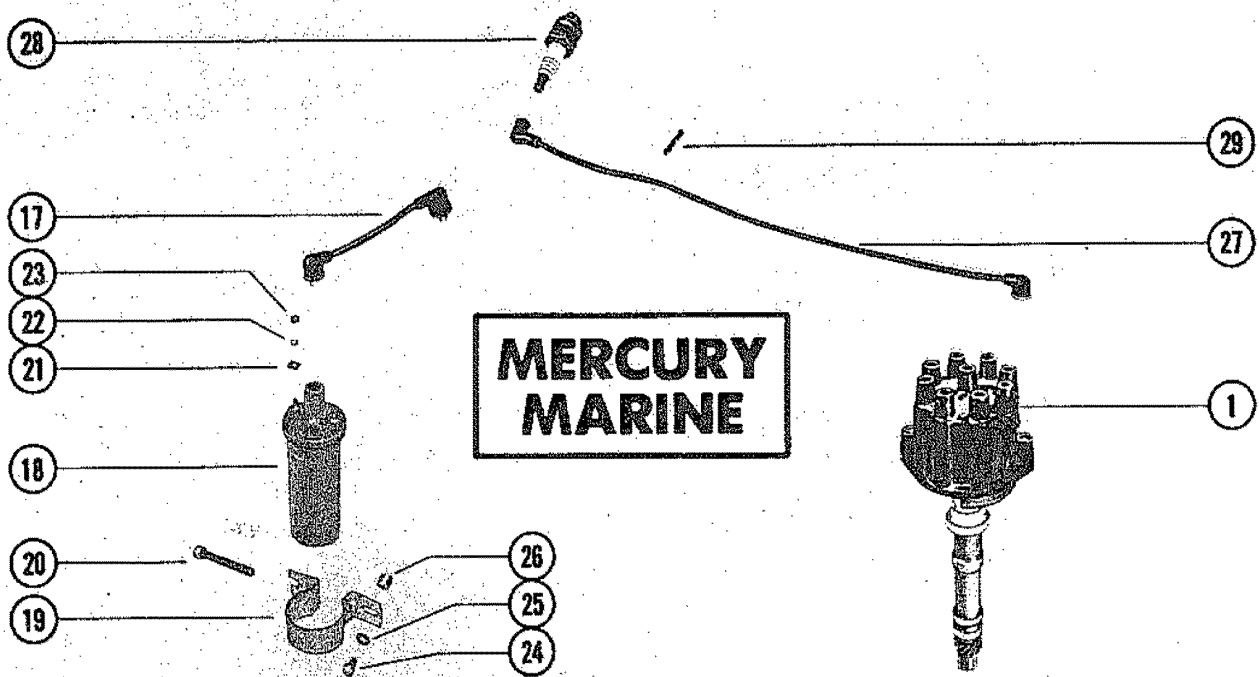
WIRING HARNESS, CIRCUIT BREAKER AND STARTER SOLENOID

REF. NO.	PART NO.	SYM.	QTY.	DESCRIPTION
1	84-70959		1	WIRING HARNESS
2	26079		1	PLATE, WIRING HARNESS TO MOUNTING BRACKET
3	10-46718		4	SCREW, WIRING HARNESS PLATE TO MOUNTING BRACKET (3/4")
4	64709		1	BRACKET, MOUNTING - HARNESS AND CIRCUIT BREAKER
5	10-52498		2	SCREW, MOUNTING BRACKET ATTACHING (1 1/4")
6	13-32993		2	LOCKWASHER, MOUNTING BRACKET SCREW
7	64884		1	TAB, WIRING HARNESS
8	87-61053		1	STARTER SOLENOID SERIAL 00000000-04499990
	89-68258		1	STARTER SOLENOID SERIAL 04499391-09999999
9	10-28063		2	SCREW, STARTER SOLENOID TO MOUNTING BRACKET (5/8")
10	13-26992		2	WASHER, STARTER SOLENOID SCREW
11	13-26996		2	LOCKWASHER, STARTER SOLENOID TERMINAL (#10)
12	11-68219		2	NUT, STARTER SOLENOID TERMINAL (10-32)
13	13-26993		2	LOCKWASHER, SATARTER SOLENOID TERMINAL (5/16")
14	11-68292		2	NUT, STARTER SOLENOID TERMINAL (5/16")
15	88-65093		1	CIRCUIT BREAKER
-	11-20645		2	NUT, CIRCUIT BREAKER TERMINAL
-	13-26996		2	LOCKWASHER, CIRCUIT BREAKER TERMINAL
16	10-47618		2	SCREW, CIRCUIT BREAKER TO BRACKET (1")
17	25-61999		4	GROMMET, CIRCUIT BRAKER SCREW
18	12-47960		4	WASHER, CIRCUIT BREAKER SCREW
19	23-61998		2	SPACER, CIRCUIT BREAKER GROMMET
20	12-30164		2	WASHER, CIRCUIT BREAKER SCREW
21	11-46438		2	NUT, CIRCUIT BREAKER SCREW

DISTRIBUTOR ASSEMBLY (MERCURY MARINE)



SERIAL NO. 4499390 AND BELOW



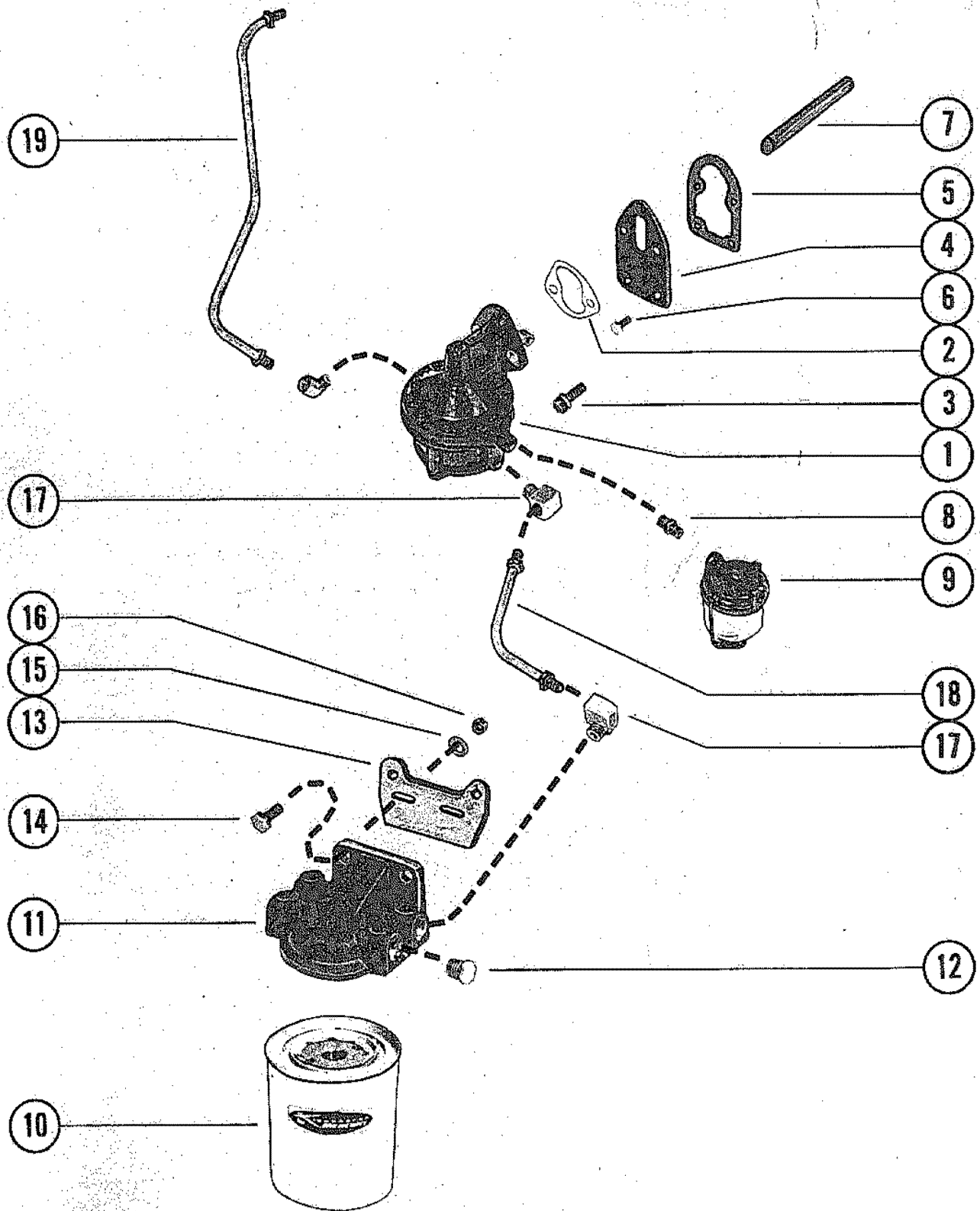
DISTRIBUTOR ASSEMBLY (MERCURY MARINE)

REF. NO.	PART NO.	SYM.	QTY.	DESCRIPTION
1	68521A3		1	DISTRIBUTOR ASSEMBLY
2	393-4988		1	CAP, DISTRIBUTOR
-	37-68671		1	DECAL, DISTRIBUTOR CAP
3	65864		1	ROTOR
4	10-36046		3	SCREW, BREAKER AND CONDENSER ATTACHING (1/4")
5	81-64851		1	CONDENSER
6	87-71831		1	BREAKER ASSEMBLY
7	84-64846		1	LEAD ASSEMBLY, PRIMARY TERMINAL
8	54-65783A2		2	CLAMP ASSEMBLY, DISTRIBUTOR CAP ATTACHING
9	10-21335		2	SCREW, CLAMP TO DISTRIBUTOR (7/8")
10	13-26996		2	LOCKWASHER, DISTRIBUTOR CLAMP SCREW
11	43-47619		1	GEAR, DRIVE
12	17-47617		1	PIN, DRIVE GEAR
13	35-60047A1		3	SCREEN, FLAME ARRESTOR
14	27-52184	+	1	GASKET, DISTRIBUTOR
15	52185		1	CLAMP, DISTRIBUTOR TO INTAKE MANIFOLD
16	10-54528		1	SCREW, DISTRIBUTOR CLAMP ATTACHING (7/8")
17	84-70945		1	LEAD ASSEMBLY, DISTRIBUTOR TO COIL (8")
18	26433		1	COIL, IGNITION
19	34106		1	BRACKET, IGNITION COIL MOUNTING
20	10-33311		1	SCREW, BRACKET TO IGNITION COIL (1 1/2")
21	12-30164		2	WASHER, IGNITION COIL TERMINAL
22	13-26996		2	LOCKWASHER, IGNITION COIL TERMINAL
23	11-20645		2	NUT, IGNITION COIL TERMINAL
24	10-25299		2	SCREW, IGNITION COIL ATTACHING (3/4")
25	12-20084		2	WASHER, IGNITION COIL ATTACHING SCREW
26	13-26993		2	LOCKWASHER, IGNITION COIL ATTACHING SCREW
27	84-67957--5		1	LEAD ASSEMBLY, HIGH TENSION (38 1/2") - CYL. #2
	84-67957--8		1	LEAD ASSEMBLY, HIGH TENSION (37") - CYL. #3
	84-67957--4		1	LEAD ASSEMBLY, HIGH TENSION (34") - CYL. #5
	84-67957--1		1	LEAD ASSEMBLY, HIGH TENSION (31") - CYL. #4
	84-67957-10		2	LEAD ASSEMBLY, HIGH TENSION (29 1/2") - CYL. #6 AND #7
	84-67957--7		1	LEAD ASSEMBLY, HIGH TENSION (24") - CYL. #8
	84-67957-11		1	LEAD ASSEMBLY, HIGH TENSION (42") - CYL. #1
28	33-59571		8	SPARK PLUG (AC#MR43T)
29	54676		2	RETAINER, HIGH TENSION LEADS (2 WIRE)
	32783		2	RETAINER, HIGH TENSION LEADS (3 WIRE)
	32784		2	RETAINER, HIGH TENSION LEADS (4 WIRE)

SERIAL NO. 4499390 AND BELOW

⊕ = INDICATES PARTS INCLUDED WITH B-[1397-3465] OFF ENGINE KIT.

FUEL PUMP AND FUEL FILTER

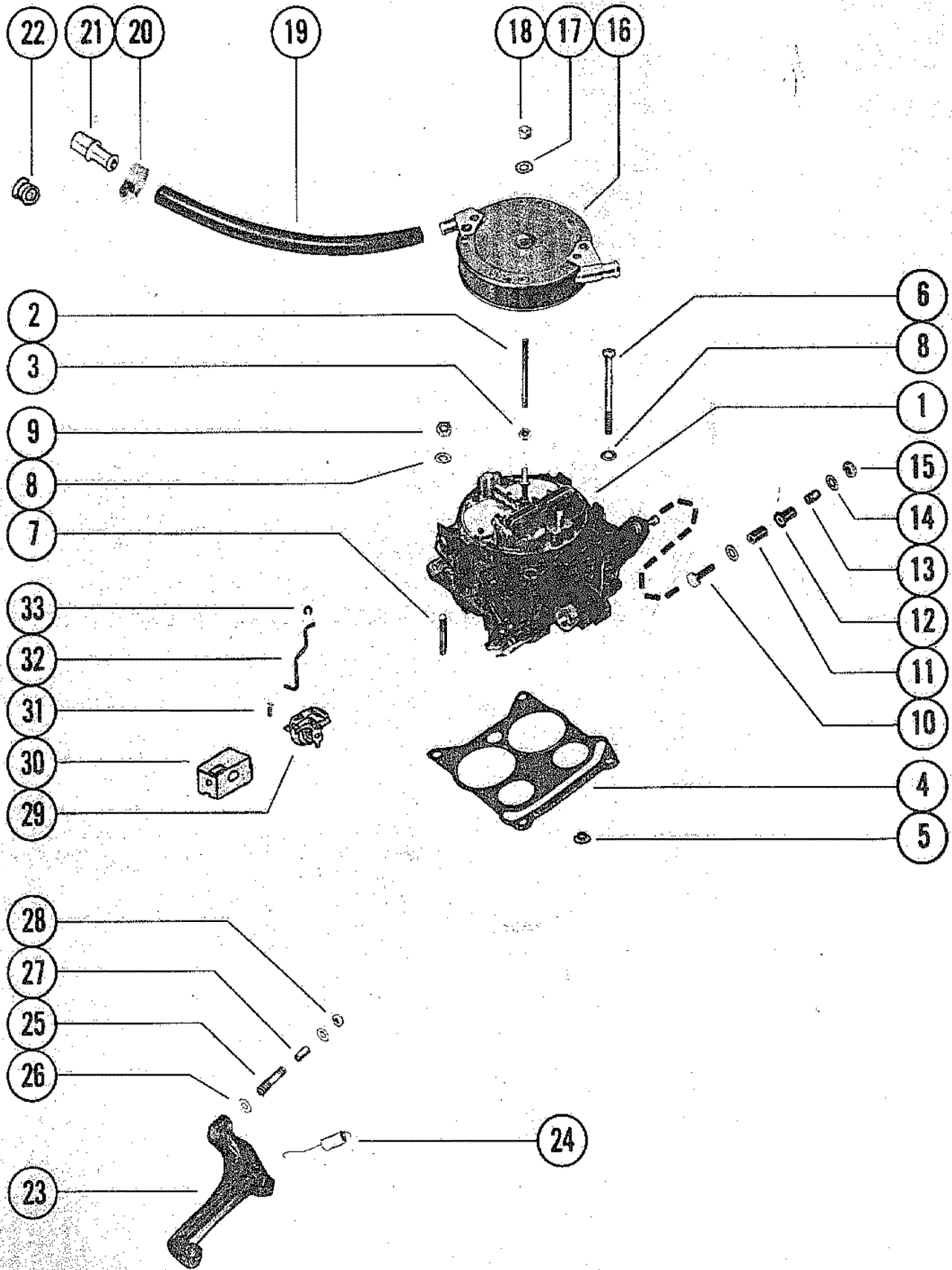


FUEL PUMP AND FUEL FILTER

REF. NO.	PART NO.	SYM.	QTY.	DESCRIPTION
1	71646		1	FUEL PUMP ASSEMBLY
2	27-34213	◇	1	GASKET, FUEL PUMP TO CYLINDER BLOCK
3	10-35374		2	SCREW, FUEL PUMP TO MOUNTING PLATE (1 1/8")
4	35373		1	PLATE, FUEL PUMP MOUNTING
5	27-34898	◇	1	GASKET, FUEL PUMP MOUNTING PLATE
6	10-34277		2	SCREW, FUEL PUMP MOUNTING PLATE
7	35377		1	ROD, PUSH - FUEL PUMP
8	22-32876		1	NIPPLE, SIGHT GLASS TO FUEL PUMP
9	47816		1	SIGHT GLASS
10	35-60494		1	FUEL FILTER
11	55481		1	BASE, FUEL FILTER
12	22-36382		1	PLUG, PIPE - FUEL FILTER
	22-20025		1	PLUG, PIPE - FUEL FILTER (SLOTTED)
13	54646		1	BRACKET, MOUNTING - FUEL FILTER
14	10-20639		2	SCREW, FUEL FILTER TO MOUNTING BRACKET (1 1/8")
15	12-20084		2	WASHER, FUEL FILTER SCREW
16	11-35814		2	NUT, FUEL FILTER SCREW
17	22-33821		3	ELBOW, FUEL LINE TO FUEL PUMP AND FUEL FILTER
18	32-71325		1	FUEL LINE, FUEL FILTER TO FUEL PUMP (STEEL TUBING)
19	32-71326		1	FUEL LINE, FUEL PUMP TO CARBURETOR (STEEL TUBING)

◇ = INDICATES PARTS INCLUDES WITH B-[1397-3309] GASKET KIT.

CARBURETOR AND AUTOMATIC CHOKE

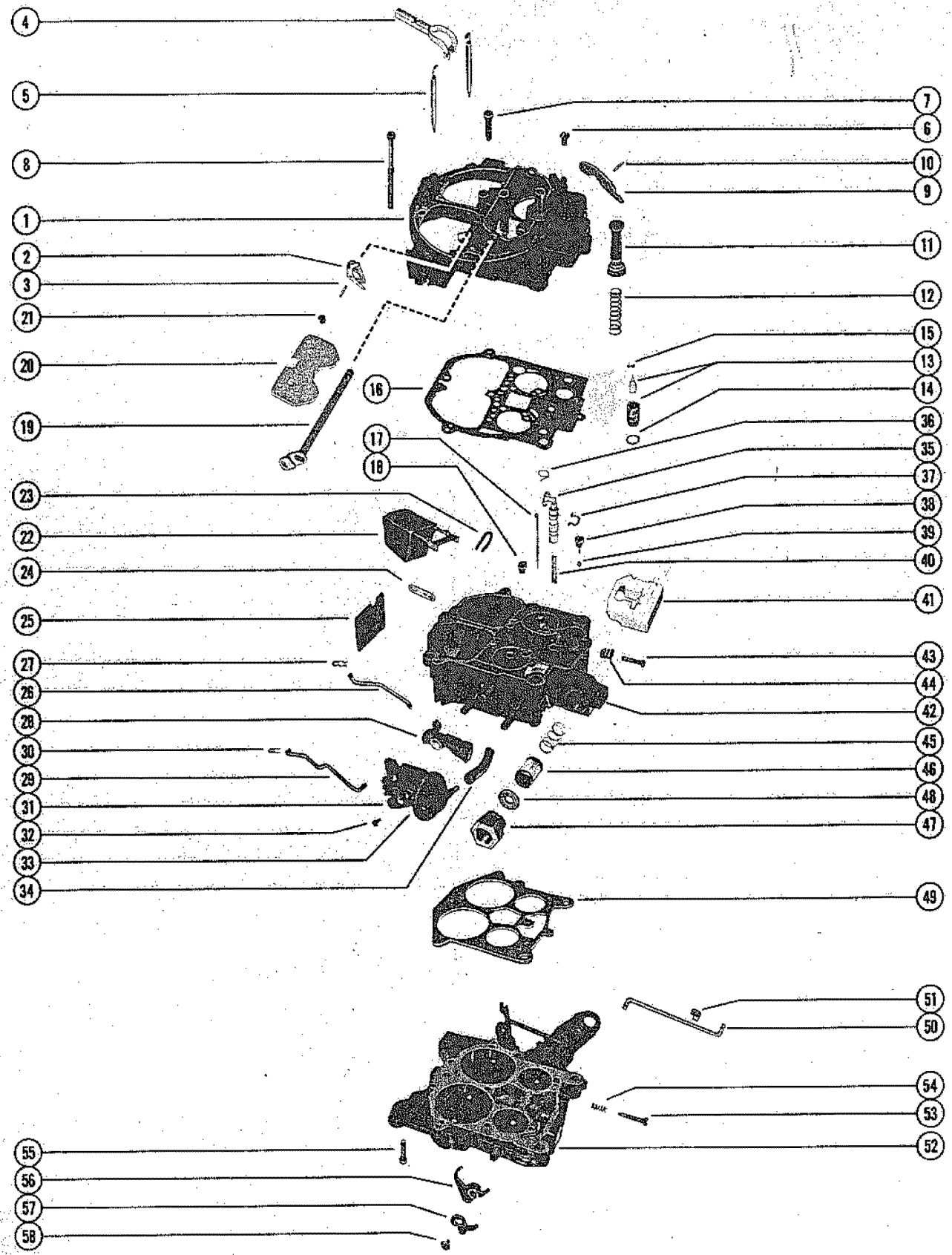


CARBURETOR AND AUTOMATIC CHOKE

REF. NO.	PART NO.	SYM.	QTY.	DESCRIPTION
1	1347-4179A2		1	CARBURETOR ASSEMBLY SEE PAGE 11 FOR BREAKDOWN SERIAL 00000000-04176468
	1347-5981A1		1	CARBURETOR ASSEMBLY SEE PAGE 11 FOR BREAKDOWN SERIAL 04176469-09999999
2	16-33213		1	STUD, FLAME ARRESTOR MOUNTING - CARBURETOR
3	11-28941		1	NUT, JAM - FLAME ARRESTOR
4	27-52457	+	1	GASKET, CARBURETOR
5	22-48358		1	PLUG, INTAKE MANIFOLD VACUUM HOLE
6	10-28701		2	SCREW, CARBURETOR MOUNTING (3 1/2")
7	16-46857		2	STUD, CARBURETOR MOUNTING (1 7/8")
8	12-20084		4	WASHER, CARBURETOR MOUNTING STUD AND SCREW
9	11-46793		2	NUT, CARBURETOR MOUNTING STUD
10	10-22958		1	SCREW, THROTTLE CABLE TO CARBURETOR (1 1/8")
11	23-32818		2	BUSHING, THROTTLE CABLE SCREW
12	25-35039		1	GROMMET, CARBURETOR LEVER
13	23-35040		1	SLEEVE, CARBURETOR LEVER
14	12-20128		3	WASHER, THROTTLE CABLE SCREW
15	11-20190		1	NUT, THROTTLE CABLE SCREW
16	47833		1	FLAME ARRESTOR, CARBURETOR
17	12-22937		1	WASHER, FLAME ARRESTOR STUD
18	11-20586		1	NUT, FLAME ARRESTOR STUD
19	32-52071		2	HOSE, VENT - CARBURETOR (10")
20	54-53101		4	CLAMP, VENT HOSE ATTACHING
21	47957		2	CONNECTOR, VENT HOSE TO ROCKER COVER
22	25-52188		2	GROMMET, ROCKER COVER TO VENT HOSE CONNECTOR
23	47502		1	BRACKET, MOUNTING - THROTTLE CABLE
24	24-32817		1	SPRING, THROTTLE RETURN
25	16-35897		1	STUD, THROTTLE CABLE TO MOUNTING BRACKET (1 11/16")
26	12-21631		2	WASHER, THROTTLE CABLE STUD
27	23-31866		1	SPACER, THROTTLE CABLE STUD
28	11-20586		1	NUT, THROTTLE CABLE STUD
29	72625		1	CHOKE, AUTOMATIC - CARBURETOR
30	66198		1	COVER, AUTOMATIC CHOKE
31	10-59994		1	SCREW, AUTOMATIC CHOKE THERMOSTAT (5/8")
32	61112		1	ROD, AUTOMATIC CHOKE
33	54-59989		1	CLIP, AUTOMATIC CHOKE ROD

+ = INDICATES PARTS INCLUDED WITH B-[1397-3465] OFF ENGINE KIT.

CARBURETOR ASSEMBLY, COMPLETE



CARBURETOR ASSEMBLY, COMPLETE

REF. NO.	PART NO.	SYM.	QTY.	DESCRIPTION
-	1347-4179A2		1	CARBURETOR ASSEMBLY, COMPLETE SERIAL 00000000-04176468
-	1347-5981A1		1	CARBURETOR ASSEMBLY, COMPLETE SERIAL 04176469-09999999
1	1397-4324		1	AIR HORN ASSEMBLY SERIAL 00000000-04176468
	1397-6373		1	AIR HORN ASSEMBLY SERIAL 04176469-09999999
2	1397-3314		1	LEVER, AIR VALVE LOCKOUT
3		†+	1	ROLL PIN, LOCKOUT LEVER
4	1397-3313		1	HOLDER KIT, SECONDARY METERING ROD
5	1397-4325		2	METERING ROD, SECONDARY
6	10-48137		2	SCREW, AIR HORN TO FLOAT BOWL (3/8")
7	10-34370		5	SCREW, AIR HORN TO FLOAT BOWL (1")
8	10-48395		2	SCREW, AIR HORN TO FLOAT BOWL (3")
9	1397-3311		1	LEVER, ACTUATING - PUMP
10		†+	1	ROLL PIN, HINGE - PUMP LEVER
11		†+	1	PUMP ASSEMBLY
12		†	1	SPRING, PUMP RETURN
13		†+	1	NEEDLE AND SEAT ASSEMBLY
14		†+	1	GASKET, NEEDLE AND SEAT
15		†	1	PULL CLIP, FLOAT NEEDLE
16		†+◇	1	GASKET, AIR HORN
17		†	2	METERING ROD, PRIMARY
18		†	2	JET, PRIMARY
19	1397-4326		1	CHOKE SHAFT AND LEVER ASSEMBLY
20	1397-4327		1	VALVE, CHOKE - CHOKE SHAFT
21	10-48139		2	SCREW, CHOKE VALVE TO CHOKE SHAFT
22	1397-3327		1	FLOAT ASSEMBLY
23	17-48140		1	PIN, HINGE - FLOAT
24	1397-3323		1	LEVER, INTERMEDIATE CHOKE
25	1397-3332		1	BAFFLE, FLOAT BOWL
26	1397-3324		1	ROD, CHOKE
27		†+	1	CLIP, CHOKE ROD
28	1397-3319		1	CAM, FAST IDLE
29	1397-3318		1	ROD, VACUUM CONTROL
30		†+	1	CLIP, VACUUM CONTROL ROD
31	1397-3339		1	BRACKET ASSEMBLY, VACUUM CONTROL
32	10-48138		1	SCREW, VACUUM CONTROL BRACKET TO FLOAT BOWL
33	1397-3317		1	CONTROL ASSEMBLY, VACUUM
34	1397-3320		1	HOSE, VACUUM
35	1397-3328		1	POWER PISTON ASSEMBLY
36	24-48142		1	SPRING, METERING ROD - PRIMARY

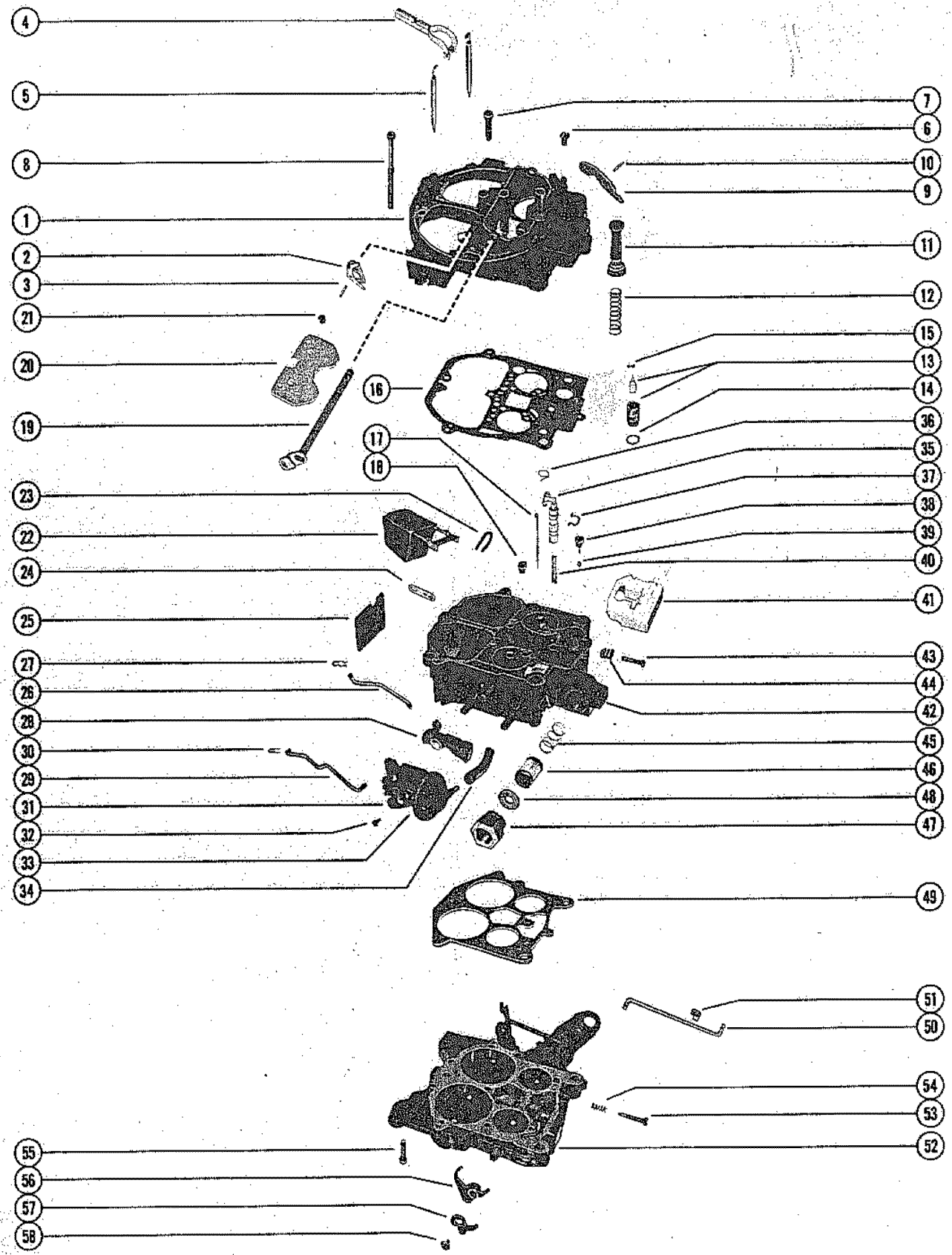
◇ = INDICATES PARTS INCLUDES WITH B-[1397-3309] GASKET KIT.

†+ = INDICATES PARTS INCLUDED WITH B-[1397-3465] OFF ENGINE KIT.

† = INDICATES PARTS INCLUDED WITH B-[1397-3306] OVERHAUL KIT.

CONTINUED ON NEXT PAGE ➡

CARBURETOR ASSEMBLY, COMPLETE



CARBURETOR ASSEMBLY, COMPLETE

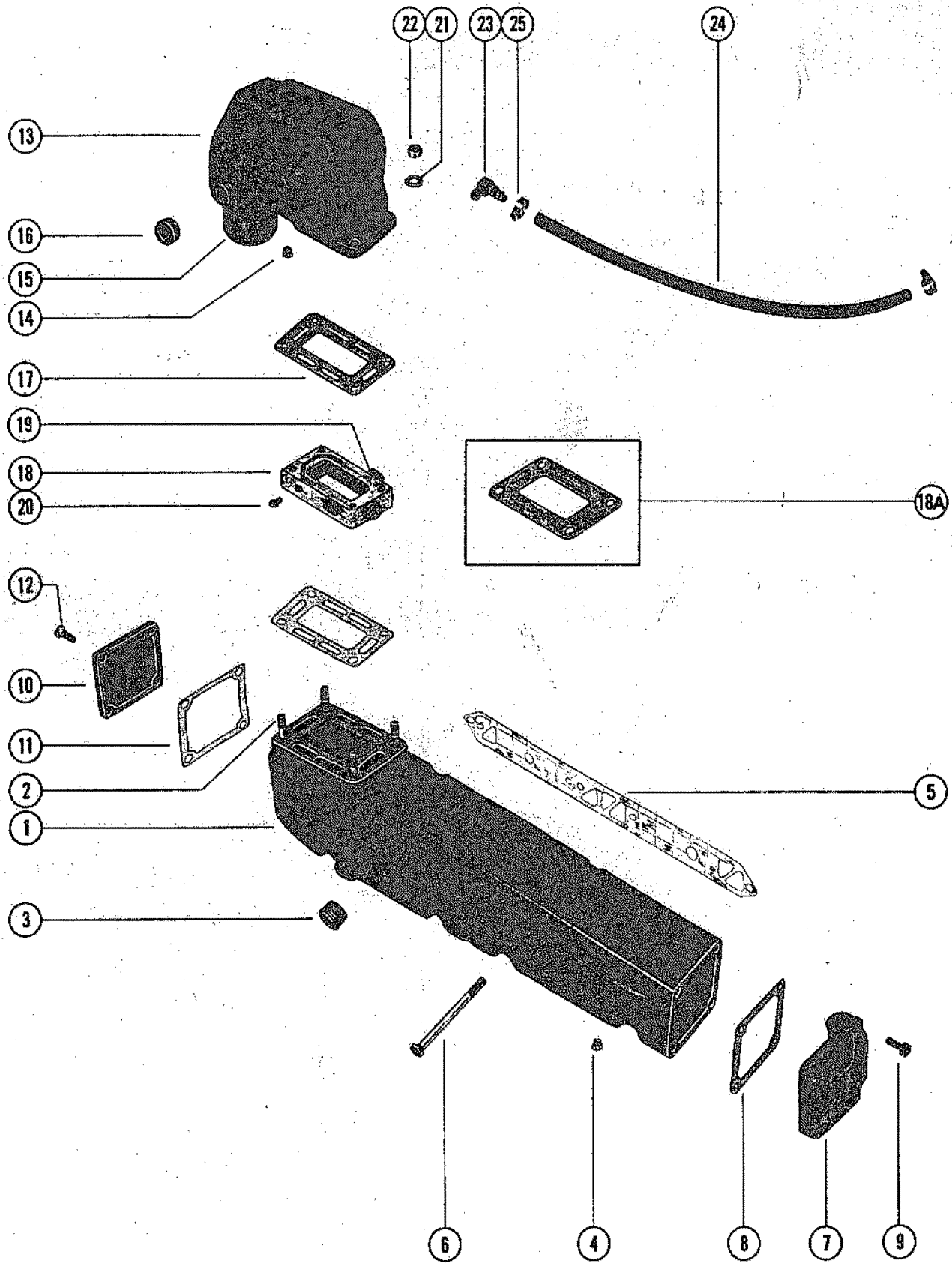
REF. NO.	PART NO.	SYM.	QTY.	DESCRIPTION
37	1397-3329		1	RETAINER, POWER PISTON
38	1397-3326		1	RETAINER, PUMP DISCHARGE BALL
39		†+	1	BALL, PUMP DISCHARGE
40	24-48141		1	SPRING, POWER PISTON
41	1397-3331		1	INSERT, FLOAT BOWL
42	1397-3325		1	FLOAT BOWL ASSEMBLY
43	10-48144		1	SCREW, IDLE STOP
44	24-34373		1	SPRING, IDLE STOP SCREW
45	24-48143		1	SPRING, FILTER NUT
46	35-53336		1	FILTER, FUEL INLET
47	1397-3330		1	NUT, FILTER - FUEL INLET
48		†+	1	GASKET, FILTER NUT
49		†+◇	1	GASKET, THROTTLE BODY
50	1397-3333		1	ROD, PUMP
51		†	1	CLIP, PUMP ROD
52	1397-3334		1	THROTTLE BODY ASSEMBLY SERIAL 04176468 AND BELOW
	1397-6374		1	THROTTLE BODY ASSEMBLY SERIAL 04176469 AND UP
53		†	2	IDLE NEEDLE, THROTTLE BODY
54	24-33050		2	SPRING, IDLE NEEDLE
55	10-48145		3	SCREW, THROTTLE BODY TO FLOAT BOWL
56	1397-3335		1	LEVER, CAM
57	1397-3336		1	LEVER, FAST IDLE
58	10-48146		1	SCREW, LEVER AND CAM TO THROTTLE BODY
-	1397-3315		1	SPRING AND CAM KIT, AIR VALVE
-	1397-3306		1	OVERHAUL KIT
-	1397-3309		1	GASKET SET
-	1397-3465		1	OFF ENGINE KIT

◇ = INDICATES PARTS INCLUDES WITH B-[1397-3309] GASKET KIT.

†+ = INDICATES PARTS INCLUDED WITH B-[1397-3465] OFF ENGINE KIT.

† = INDICATES PARTS INCLUDED WITH B-[1397-3306] OVERHAUL KIT.

EXHAUST MANIFOLD AND EXHAUST ELBOW



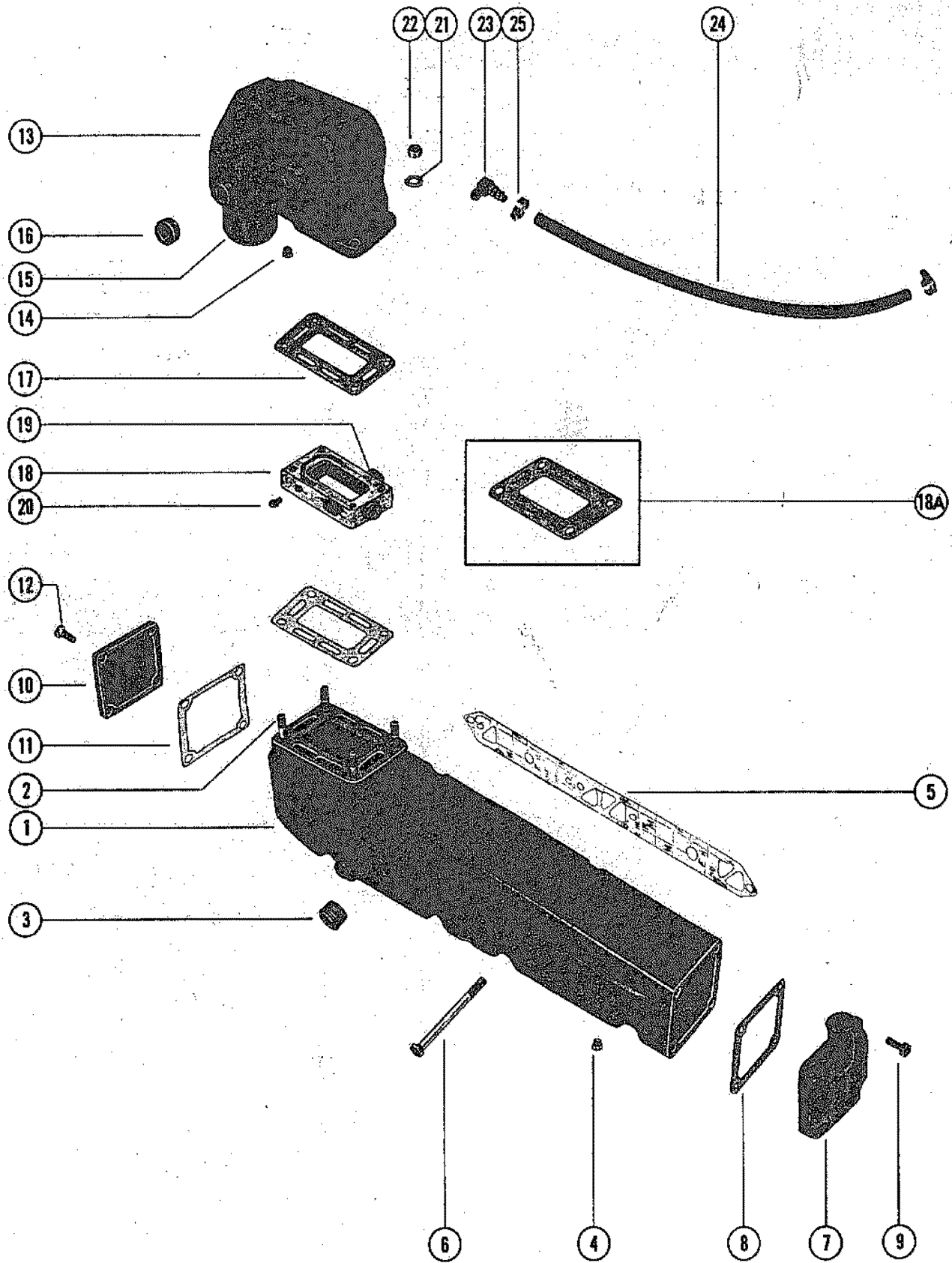
EXHAUST MANIFOLD AND EXHAUST ELBOW

REF. NO.	PART NO.	SYM.	QTY.	DESCRIPTION
1	47737A1		1	EXHAUST MANIFOLD ASSEMBLY, PORT
	47738A1		1	EXHAUST MANIFOLD ASSEMBLY, STARBOARD
2	16-52988		8	STUD, EXHAUST MANIFOLD TO ELBOW (3 1/4") SERIAL 00000000-04499390
	16-49545		8	STUD, EXHAUST MANIFOLD TO ELBOW (1 3/4") SERIAL 04499391-09999999
3	22-48118		6	PLUG, EXHAUST MANIFOLD
4	22-32802		2	PLUG, PIPE - EXHAUST MANIFOLD
5	27-33395	○	2	GASKET, EXHAUST MANIFOLD TO CYLINDER HEAD
6	10-53728		8	SCREW, EXHAUST MANIFOLD TO CYLINDER HEAD (4 5/8")
7	60252		2	END CAP/CONNECTOR, EXH. MAN. (FRONT) SERIAL 00000000-04499390
	60252		4	END CAP/CONNECTOR, EXH. MAN. SERIAL 04499391-09999999
8	27-48043	○	2	GASKET, END CAP/CONNECTOR TO EXHAUST MANIFOLD
9	10-35386		8	SCREW, END CAP TO EXH. MAN. (1") SERIAL 00000000-04499390
	10-35386		14	SCREW, END CAP TO EXH. MAN. (1") SERIAL 04499391-09999999
	10-53016		2	SCREW, END CAP AND FUEL FILTER BRACKET (1 1/4") - STBD.
10	54870		2	END CAP, EXHAUST MANIFOLD (REAR) SERIAL 00000000-04499390
11	27-48043	○	2	GASKET, END CAP TO EXHAUST MANIFOLD
12	10-25038		8	SCREW, END CAP TO EXHAUST MANIFOLD (7/8") SERIAL 00000000-04499990
13	47877A4		2	EXHAUST ELBOW ASSEMBLY SERIAL 00000000-04499390
	72964A1		2	EXHAUST ELBOW ASSEMBLY SERIAL 04499391-04499990
	76668A1		2	EXHAUST ELBOW ASSEMBLY SERIAL 04499991-09999999
14	22-32802		2	PLUG, PIPE - EXHAUST ELBOW
15	32-58616A1		2	TUBE, WATER SEPARATION - EXHAUST ELBOW SERIAL 00000000-04499990
16	22-48118		8	PLUG, EXHAUST ELBOW SERIAL 00000000-04499390
	22-33198		8	PLUG, EXHAUST ELBOW SERIAL 04499391-09999999
17	27-48042	○	4	GASKET, EXHAUST ELBOW TO EXHAUST MANIFOLD
18	60390A1		1	WATER DIST. HSG. ASS'Y, STARBOARD SERIAL 00000000-04499390
	60391A1		1	WATER DIST. HSG. ASS'Y, PORT SERIAL 00000000-04499390
19	23-52020		4	SLEEVE, WATER DIST. HSG. SERIAL 00000000-04499390
20	22-32802		2	PLUG, PIPE - WATER DIST. HSG. SERIAL 00000000-04499390
18A	73782		2	PLATE, EXHAUST ELBOW TO MAN. SERIAL 04499391-09999999
21	13-37459		8	LOCKWASHER, EXHAUST ELBOW TO EXHAUST MANIFOLD STUD

○ = C-[27-72637A1] GASKET SET, INTAKE MANIFOLD (SERIAL #462709 AND BELOW)

CONTINUED ON NEXT PAGE ➡

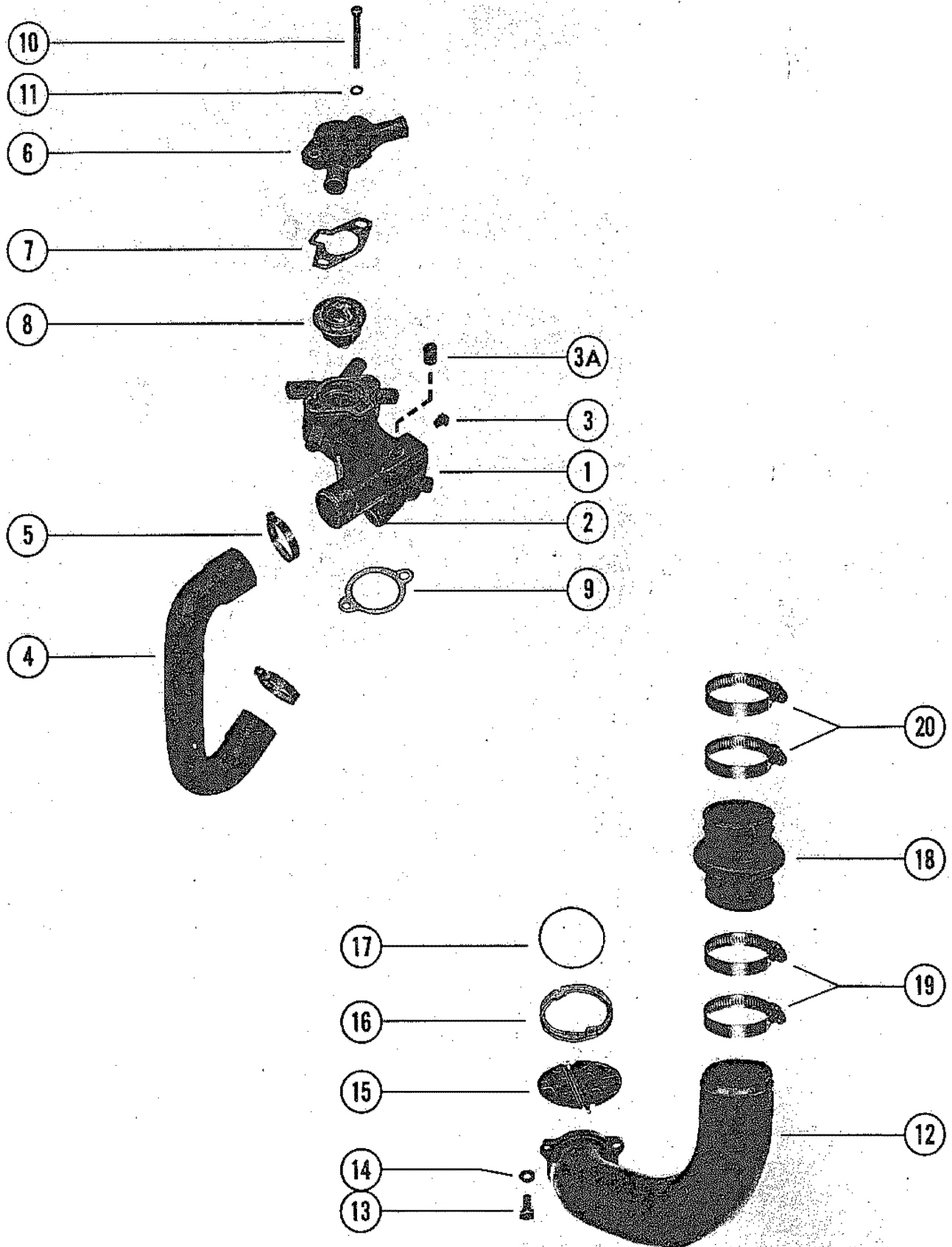
EXHAUST MANIFOLD AND EXHAUST ELBOW



EXHAUST MANIFOLD AND EXHAUST ELBOW

REF. NO.	PART NO.	SYM.	QTY.	DESCRIPTION
22	11-49838		8	NUT, EXHAUST ELBOW TO EXHAUST MANIFOLD STUD
23	22-62910		1	ELBOW, EXHAUST ELBOW (STARBOARD)
	22-45084		2	FITTING, EXHAUST ELBOW SERIAL 04499391-09999999
24	32-62987--2		1	HOSE, STARBOARD ELBOW TO TRANS. COOLER (21 1/2")
25	54-32523		2	CLAMP, HOSE TO ELBOW AND TRANSMISSION COOLER

THERMOSTAT HOUSING ASSEMBLY



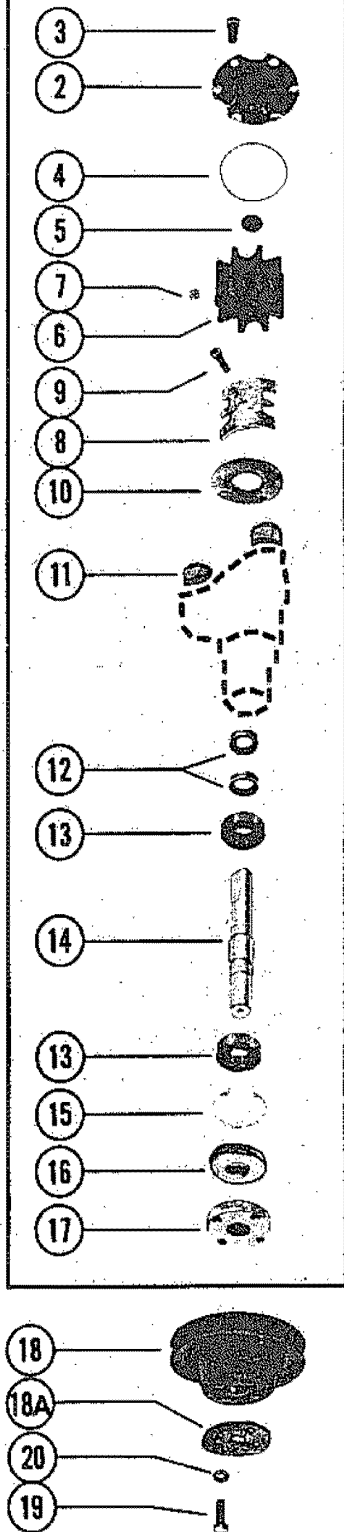
THERMOSTAT HOUSING ASSEMBLY

REF. NO.	PART NO.	SYM.	QTY.	DESCRIPTION
1	59861A1		1	THERMOSTAT HOUSING ASSEMBLY SERIAL 00000000-04499390
	59861A4		1	THERMOSTAT HOUSING ASSEMBLY SERIAL 04499391-09999999
2	23-47511		1	SLEEVE, THERMOSTAT HOUSING
3	22-47540		2	PLUG, THERMOSTAT HOUSING
3A	22-33198		2	PLUG, THERMOSTAT HOUSING SERIAL 04499391-09999999
4	32-33189		1	HOSE, THERMOSTAT HOUSING TO WATER PUMP
5	54-32781		2	CLAMP, HOSE TO THERMOSTAT HOUSING AND WATER PUMP
6	47441		1	COVER, THERMOSTAT HOUSING
7	27-48818	+	1	GASKET, THERMOSTAT HOUSING (UPPER)
8	59137		1	THERMOSTAT
9	27-53045	+	1	GASKET, THERMOSTAT HOUSING TO MANIFOLD (LOWER)
10	10-33389		2	SCREW, THERMOSTAT HOUSING ATTACHING (4 1/4")
11	13-37459		3	LOCKWASHER, THERMOSTAT HOUSING SCREW
12	70695		1	ELBOW, EXHAUST (STARBOARD) SERIAL 00000000-00499390
	70696		1	ELBOW, EXHAUST (PORT) SERIAL 00000000-00499390
	73659		1	ELBOW, EXHAUST (STARBOARD) SERIAL 04499391-09999999
	73660		1	ELBOW, EXHAUST (PORT) SERIAL 04499391-09999999
13	10-58640		6	SCREW, EXHAUST ELBOW TO TRANSOM PLATE (1 1/4")
14	13-35048		6	LOCKWASHER, EXHAUST ELBOW SCREW
15	60930		2	WATER SHUTTER, EXHAUST ELBOW
16	63151		2	RETAINER, SHUTTER TO EXHAUST ELBOW
17	25-35029		2	"O" RING, EXHAUST ELBOW TO TRANSOM PLATE
18	70981		2	BELLOWS, EXHAUST ELBOW
19	54-31765		4	CLAMP, BELLOWS TO EXHAUST ELBOW (LOWER)
20	54-33683		4	CLAMP, BELLOWS TO EXHAUST ELBOW (UPPER)

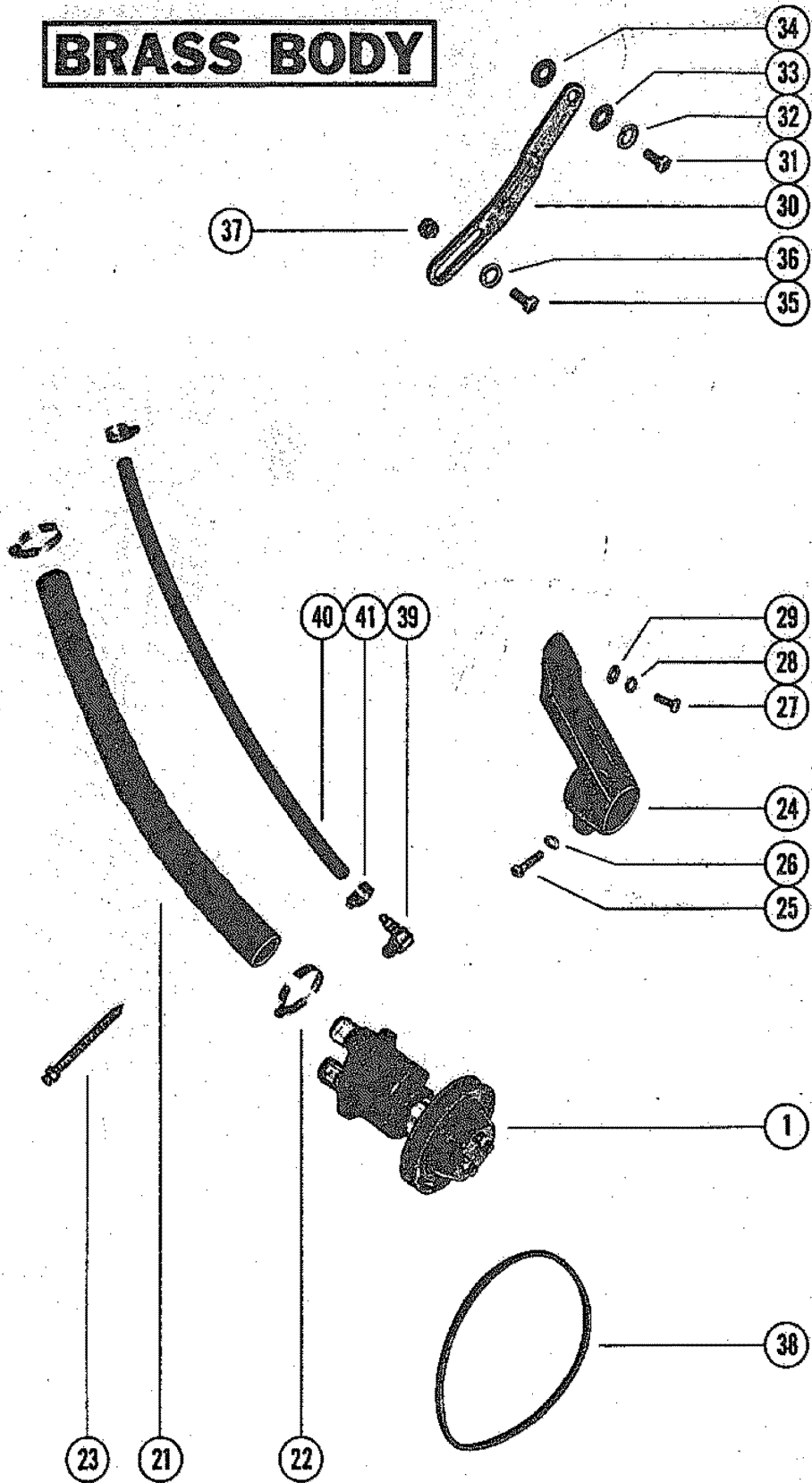
⊕ = INDICATES PARTS INCLUDED WITH B-[1397-3465] OFF ENGINE KIT.

WATER PUMP ASSEMBLY

BREAKDOWN OF WATER PUMP



BRASS BODY



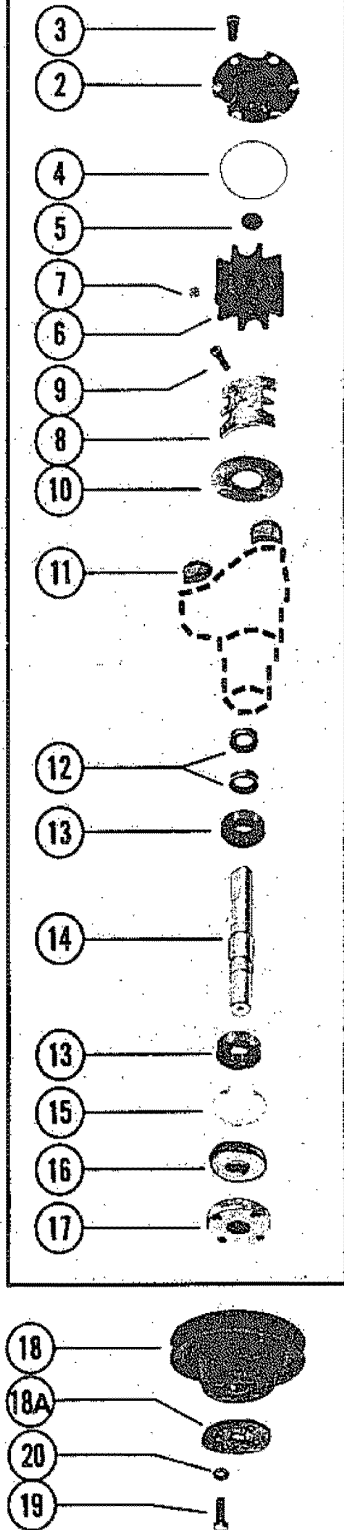
WATER PUMP ASSEMBLY

REF. NO.	PART NO.	SYM.	QTY.	DESCRIPTION
1	46-63450A2		1	WATER PUMP ASSEMBLY (BRASS BODY ONLY) SERIAL 00000000-04176468
	46-73823A7		1	WATER PUMP ASSEMBLY (BRASS BODY ONLY) SERIAL 04176469-09999999
2	59155		1	COVER, WATER PUMP
3	10-28635		6	SCREW, WATER PUMP COVER ATTACHING (5/8")
4	25-59712		1	"O" RING, WATER PUMP COVER
5	19-59504		1	PLUG, IMPELLER
6	47-59362A1		1	IMPELLER ASSEMBLY
7	28-56662		2	KEY, IMPELLER DRIVE
8	59363A1		1	CAM SEGMENT ASSEMBLY, WATER PUMP
9	10-60777		1	SCREW, CAM SEGMENT ATTACHING (1/2")
10	59503		1	WEAR PLATE
11	23-47511		2	SLEEVE, WATER PUMP COVER
12	26-23300		2	OIL SEAL, WATER PUMP SHAFT
13	30-20861		2	BEARING, PUMP SHAFT (BRASS BODY ONLY) SERIAL 00000000-04176468
	30-72961		2	BEARING, PUMP SHAFT (BRASS BODY ONLY) SERIAL 04176469-09999999
14	59501		1	SHAFT, WATER PUMP
15	53-23720		1	RING, SNAP - BALL BEARING RETAINING
16	26-59564		1	OIL SEAL, PUMP SHAFT (BRASS BODY ONLY) SERIAL 00000000-04176468
	26-72785		1	OIL SEAL, PUMP SHAFT (BRASS BODY ONLY) SERIAL 04176469-09999999
17	47530		1	HUB, WATER PUMP PULLEY
18	59762		1	PULLEY, WATER PUMP (BRASS BODY ONLY) SERIAL 00000000-04176468
	73798		1	PULLEY, WATER PUMP (BRASS BODY ONLY) SERIAL 04176469-09999999
18A	58265		1	CLAMPING RING, PUMP PULLEY SERIAL 04176469-09999999
19	10-20705		4	SCREW, PULLEY TO WATER PUMP (BRASS BODY ONLY) SERIAL 00000000-04176468
	10-33524		4	SCREW, PULLEY TO WATER PUMP (BRASS BODY ONLY) SERIAL 04176469-09999999
20	13-39107		4	LOCKWASHER, WATER PUMP PULLEY SCREW
21	32-72837		1	HOSE, WATER PUMP TO OIL COOLER (WITH POWER STEERING)
	32-49044		1	HOSE, PUMP TO THERMOSTAT HOUSING (WITHOUT POWER STEERING)
22	54-32780		2	CLAMP, WATER PUMP HOSE
23	62711		1	STA-STRAP, HOSE ATTACHING
24	47488		1	BRACKET, WATER PUMP
25	10-34354		1	SCREW, WATER PUMP BRACKET CLAMPING (1 1/2")
26	13-35048		1	LOCKWASHER, WATER PUMP BRACKET SCREW
27	10-34353		2	SCREW, WATER PUMP BRACKET TO ENGINE (1")

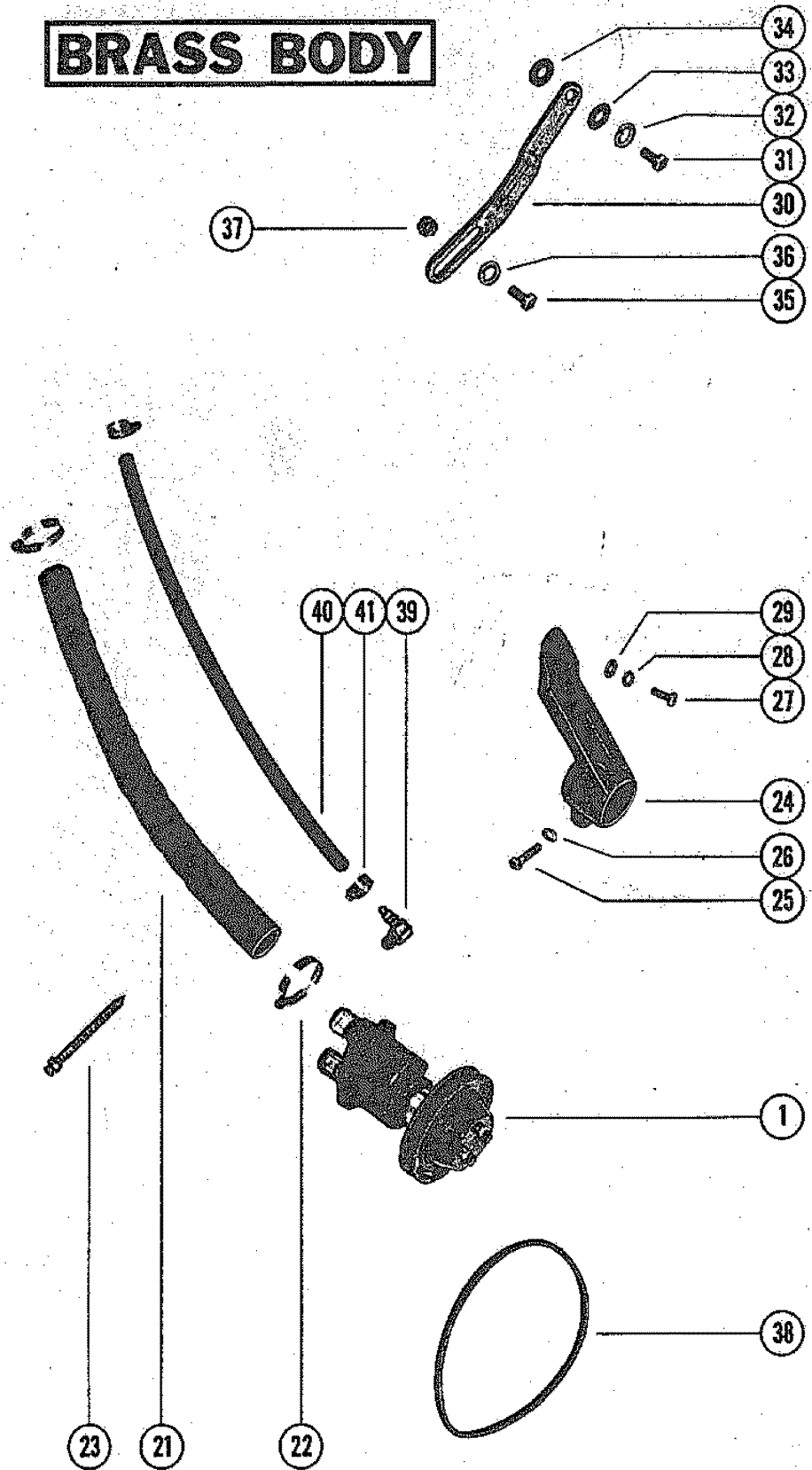
CONTINUED ON NEXT PAGE ➡

WATER PUMP ASSEMBLY

BREAKDOWN OF WATER PUMP



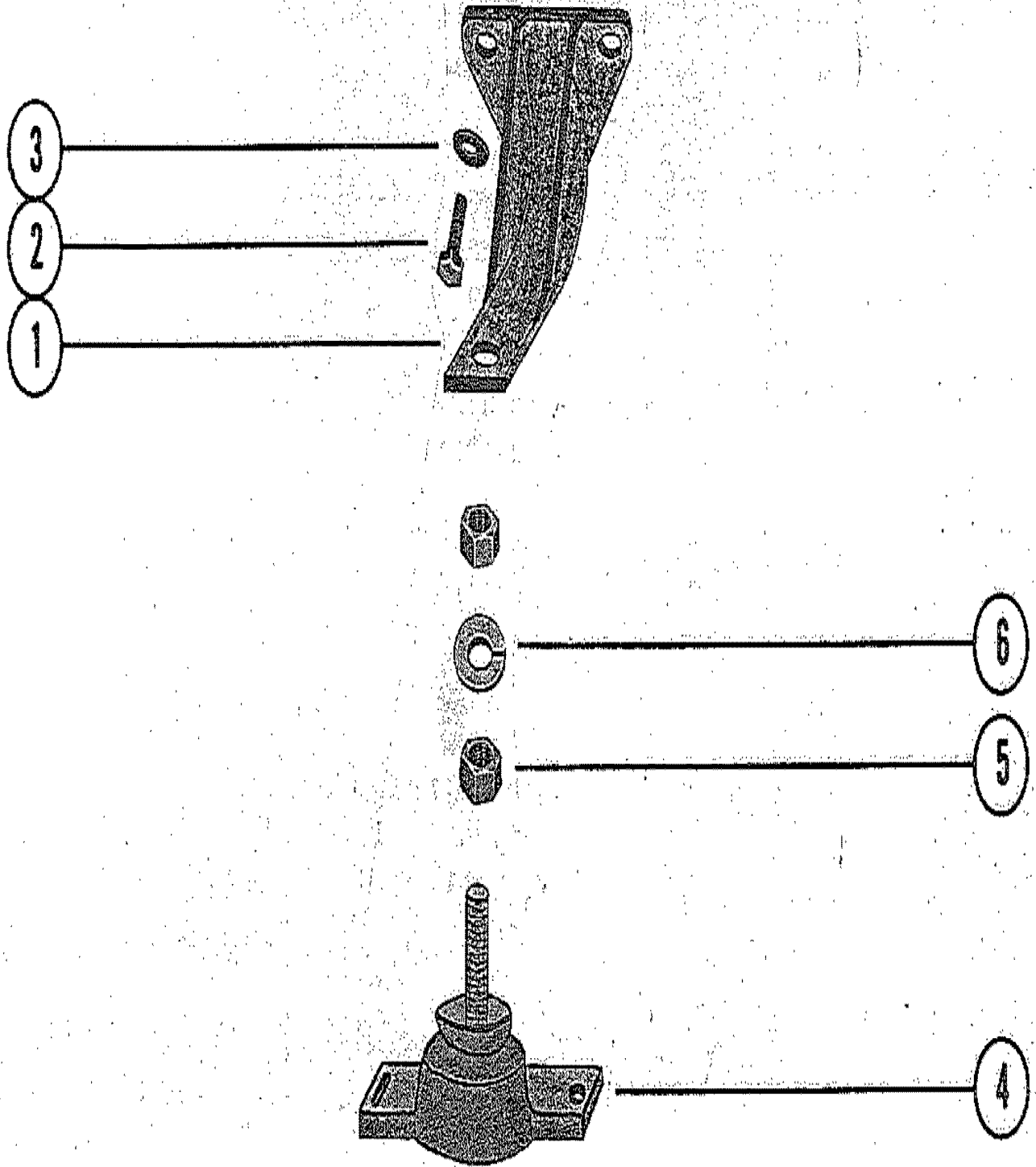
BRASS BODY



WATER PUMP ASSEMBLY

REF. NO.	PART NO.	SYM.	QTY.	DESCRIPTION
28	13-35048		2	LOCKWASHER, WATER PUMP BRACKET SCREW
29	12-20553		1	WASHER, WATER PUMP BRACKET SCREW
30	71649		1	BRACE, WATER PUMP ADJUSTING (WITH POWER STEERING)
	71648		1	BRACE, WATER PUMP ADJUSTING (WITHOUT POWER STEERING)
31	10-34353		1	SCREW, ADJUSTING BRACE TO POWER STEERING PUMP (1")
32	13-35048		1	LOCKWASHER, ADJUSTING BRACE SCREW
33	12-34714		1	WASHER, ADJUSTING BRACE SCREW
34	23-72057		1	SPACER, ADJUSTING BRACE SCREW
35	10-35786		1	SCREW, ADJUSTING BRACE TO BRACKET SCREW (1")
36	13-37459		1	LOCKWASHER, ADJUSTING BRACE SCREW
37	11-24883		1	NUT, ADJUSTING BRACE SCREW
38	57-39756		1	BELT, WATER PUMP (BRASS BODY ONLY) SERIAL 00000000-04176468
	57-74271		1	BELT, WATER PUMP (BRASS BODY ONLY) SERIAL 04176469-09999999
39	22-62910		1	FITTING, WATER PUMP BODY
40	32-62987--2		1	HOSE, WATER PUMP TRANSMISSION COOLER (34 1/2")
41	54-32523		2	CLAMP, HOSE ATTACHING

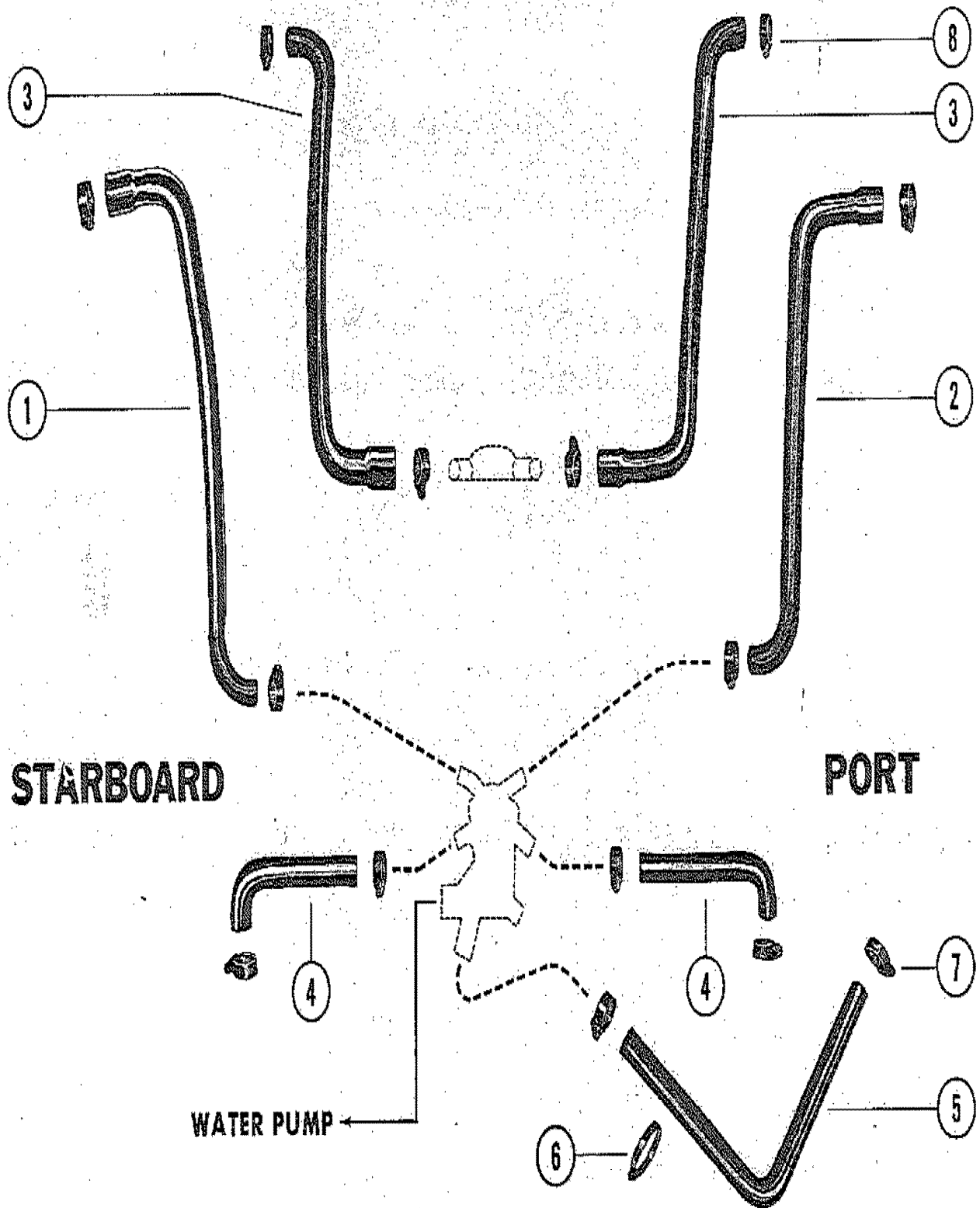
ENGINE MOUNTING



ENGINE MOUNTING

REF. NO.	PART NO.	SYM.	QTY.	DESCRIPTION
1	70938		2	BRACKET, MOUNTING - ENGINE
2	10-37612		3	SCREW, MOUNTING BRACKET TO ENGINE (1 1/4") (PORT SIDE)
3	13-35048		3	LOCKWASHER, MOUNTING BRACKET SCREW (PORT SIDE)
2	10-37612		1	SCREW, MOUNTING BRACKET TO ENGINE (1 1/4") (STARBOARD SIDE)
3	13-35048		1	LOCKWASHER, MOUNTING BRACKET SCREW (STARBOARD SIDE)
2	10-48424		2	SCREW, MOUNTING BRACKET TO ENGINE (1 5/8") (STARBOARD SIDE)
3	13-35048		2	LOCKWASHER, MOUNTING BRACKET SCREW (STARBOARD SIDE)
4	66284		2	BRACKET, MOUNTING
5	11-20739		4	NUT, JAM - MOUNTING BRACKET
6	13-68102		2	LOCKWASHER, MOUNTING BRACKET

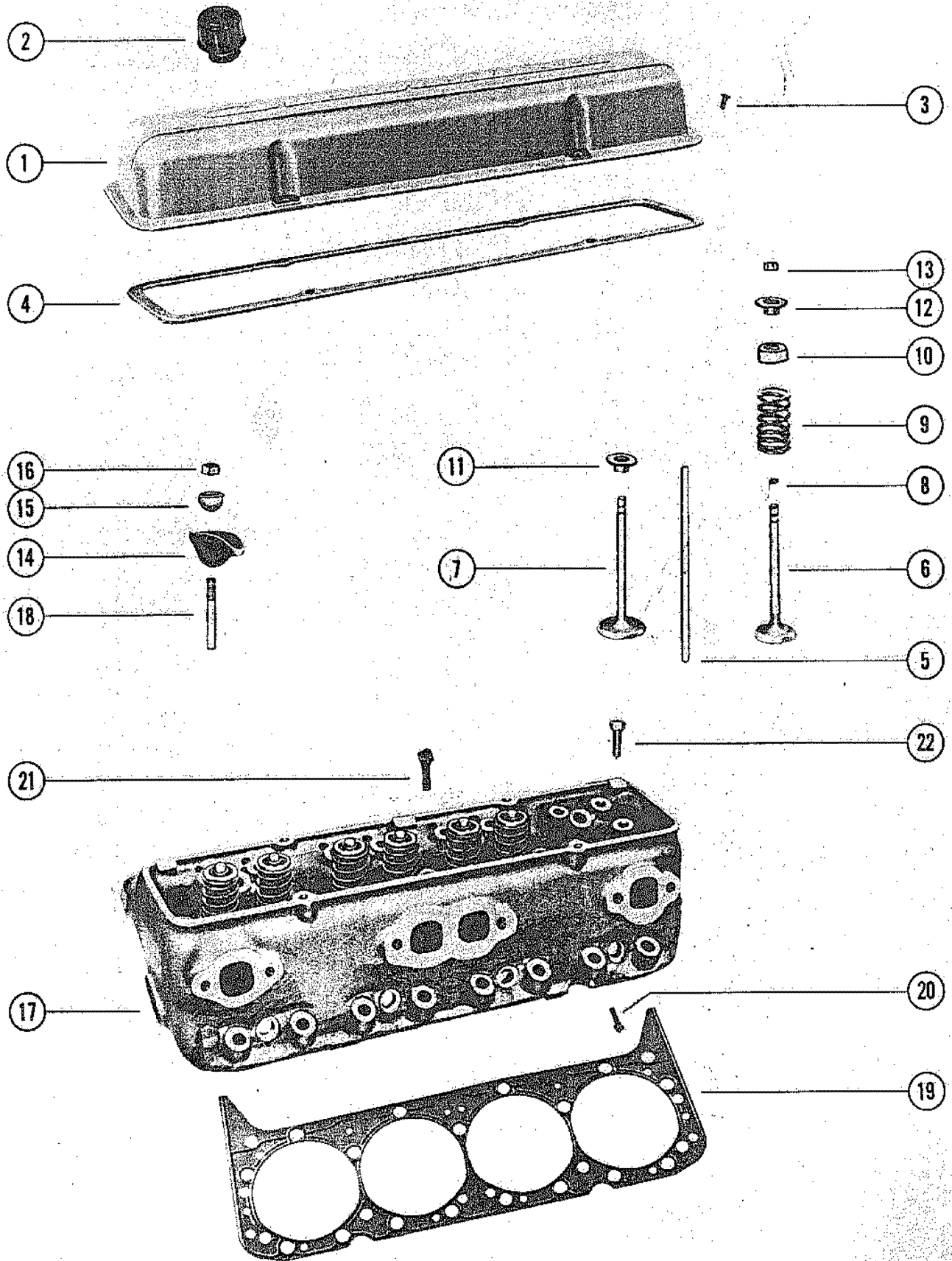
WATER DISTRIBUTION HOSES



WATER DISTRIBUTION HOSES

REF. NO.	PART NO.	SYM.	QTY.	DESCRIPTION
1	32-60058		1	HOSE, COVER TO DIST. HSG. (STBD.) SERIAL 04499390 AND BELOW
2	32-60057		1	HOSE, COVER TO DIST. HSG. (PORT) SERIAL 04499390 AND BELOW
3	32-59876		2	HOSE, HSG, TO EXH. MAN. (REAR) SERIAL 04499390 AND BELOW
1 & 2	32-73796		2	HOSE, COVER TO EXH. MAN. (REAR) SERIAL 04499391AND BELOW
3	32-73794		1	HOSE, HSG. TO EXH. MAN. (STBD.) SERIAL 04499391AND BELOW
	32-73795		1	HOSE, HSG. TO EXH. MAN. (PORT) SERIAL 0449939 AND BELOW
4	32-48132		2	HOSE, THERMOSTAT HOUSING TO EXHAUST MANIFOLD (FRONT)
5	32-71613		1	HOSE, THERMOSTAT HOUSING TO OIL COOLER (WITH POWER STEERING)
6	54-47715		1	CLIP, HOSE TO CYLINDER BLOCK
7	54-32780		2	CLAMP, HOSE TO OIL COOLER AND THERMOSTAT HOUSING
8	54-32880		12	CLAMP, HOSE ATTACHING

ROCKER COVER AND CYLINDER HEAD



ROCKER COVER AND CYLINDER HEAD

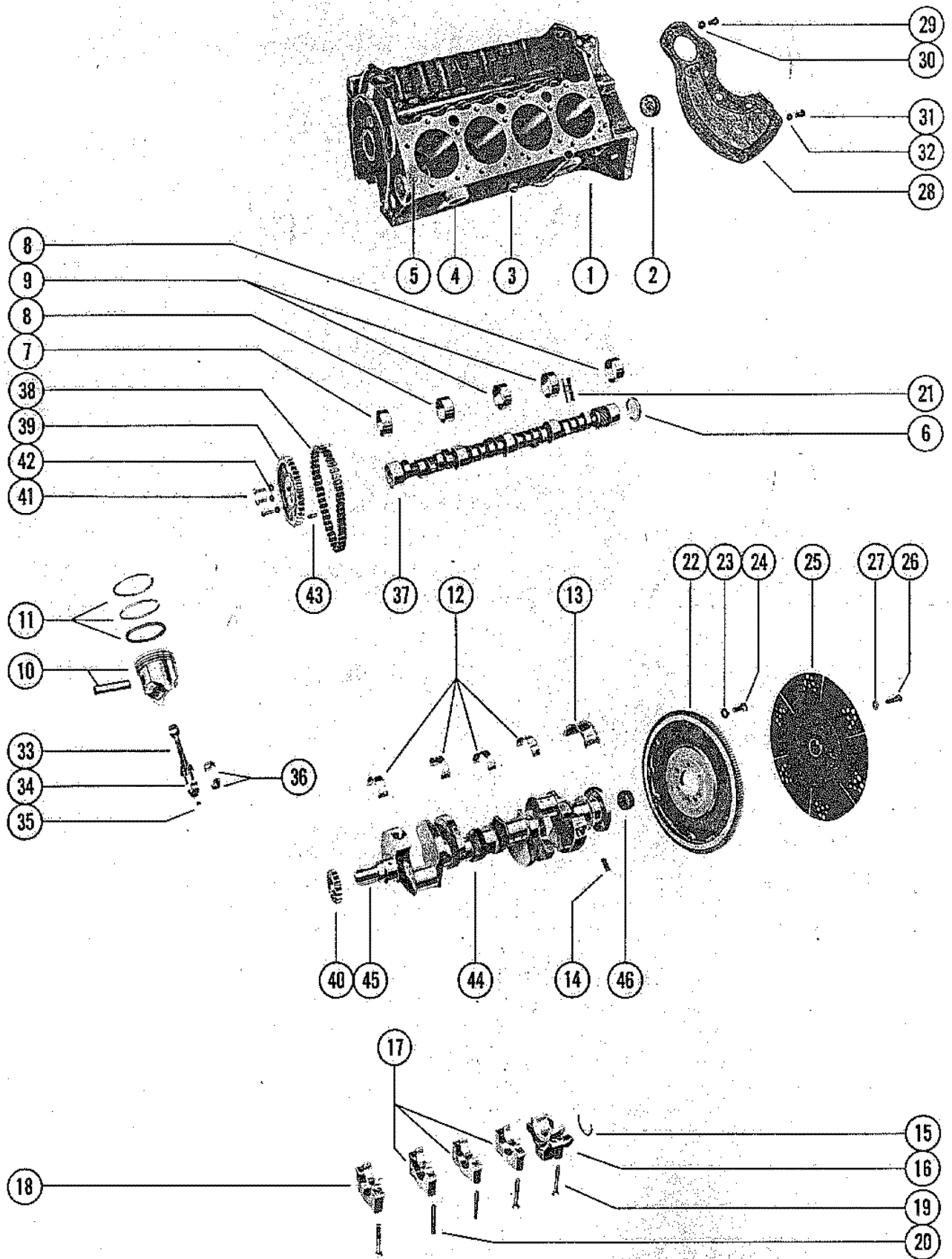
REF. NO.	PART NO.	SYM.	QTY.	DESCRIPTION
1	72655		1	COVER, ROCKER (PORT)
	72660		1	COVER, ROCKER (STARBOARD)
2	52549		1	CAP, OIL FILLER
-	37-72766		1	DECAL, CIRCULAR SERIAL 04499780 AND UP
-	37-77252		1	DECAL, CIRCULAR - WITH WAVES SERIAL 04499781 AND UP
-	37-71888		1	DECAL, ROCKER COVER (280 H.P.) SERIAL 04499780 AND BELOW
3	10-45487		8	SCREW, ROCKER VALVE COVER TO CYLINDER HEAD (1/2")
4	27-52202	+	2	GASKET, ROCKER VALVE COVER
5	35330		16	ROD, VALVE PUSH
6	35323		8	VALVE, EXHAUST (STANDARD)
	49076	♣	AR	VALVE, EXHAUST (.015 O.S.)
7	52365		8	VALVE, INLET (STANDARD)
	72641	♣	AR	VALVE, INLET (.015 O.S.)
8	26-34217	+◇	16	SEAL, VALVE
9	24-48347		8	SPRING, VALVE (INLET)
	24-72642		8	SPRING, VALVE (EXHAUST)
10	34518		16	SHIELD, VALVE SPRING CAP
11	48348		8	CAP, INLET VALVE
12	35328		8	ROTATOR ASS'Y, SPRING - EXHAUST SERIAL 04625709 AND BELOW
13	28-54797		32	KEY, VALVE STEM
14	35329		16	ARM, ROCKER VALVE
15	35331		16	BALL UNIT, ROCKER VALVE ARM
16	11-34516		16	NUT, ROCKER VALVE ARM STUD
17	392-4625		2	CYLINDER HEAD ASSEMBLY
18	16-34522	♣	AR	STUD, ROCKER VALVE ARM (.003 O.S.)
	16-34521	♣	AR	STUD, ROCKER VALVE ARM (.013 O.S.)
19	27-48330	+	2	GASKET, CYLINDER HEAD SERIAL 04625709 AND BELOW
	27-75611		2	GASKET, CYLINDER HEAD SERIAL 04625710 AND UP
20	10-35317		16	BOLT, CYLINDER HEAD TO CYLINDER BLOCK (1 3/4")
21	10-35318		4	BOLT, CYLINDER HEAD TO CYLINDER BLOCK (3")
22	10-35316		14	BOLT, CYLINDER HEAD TO CYLINDER BLOCK (3 3/4")

◇ = INDICATES PARTS INCLUDES WITH B-[1397-3309] GASKET KIT.

⊕ = INDICATES PARTS INCLUDED WITH B-[1397-3465] OFF ENGINE KIT.

♣ = C-[10-60169] SCREW IS USED ONLY WITH FLANGES HAVING 1", 1-1/8", 1-1/4" 1-3/8" SHAFT

CYLINDER BLOCK AND PISTONS



CYLINDER BLOCK AND PISTONS

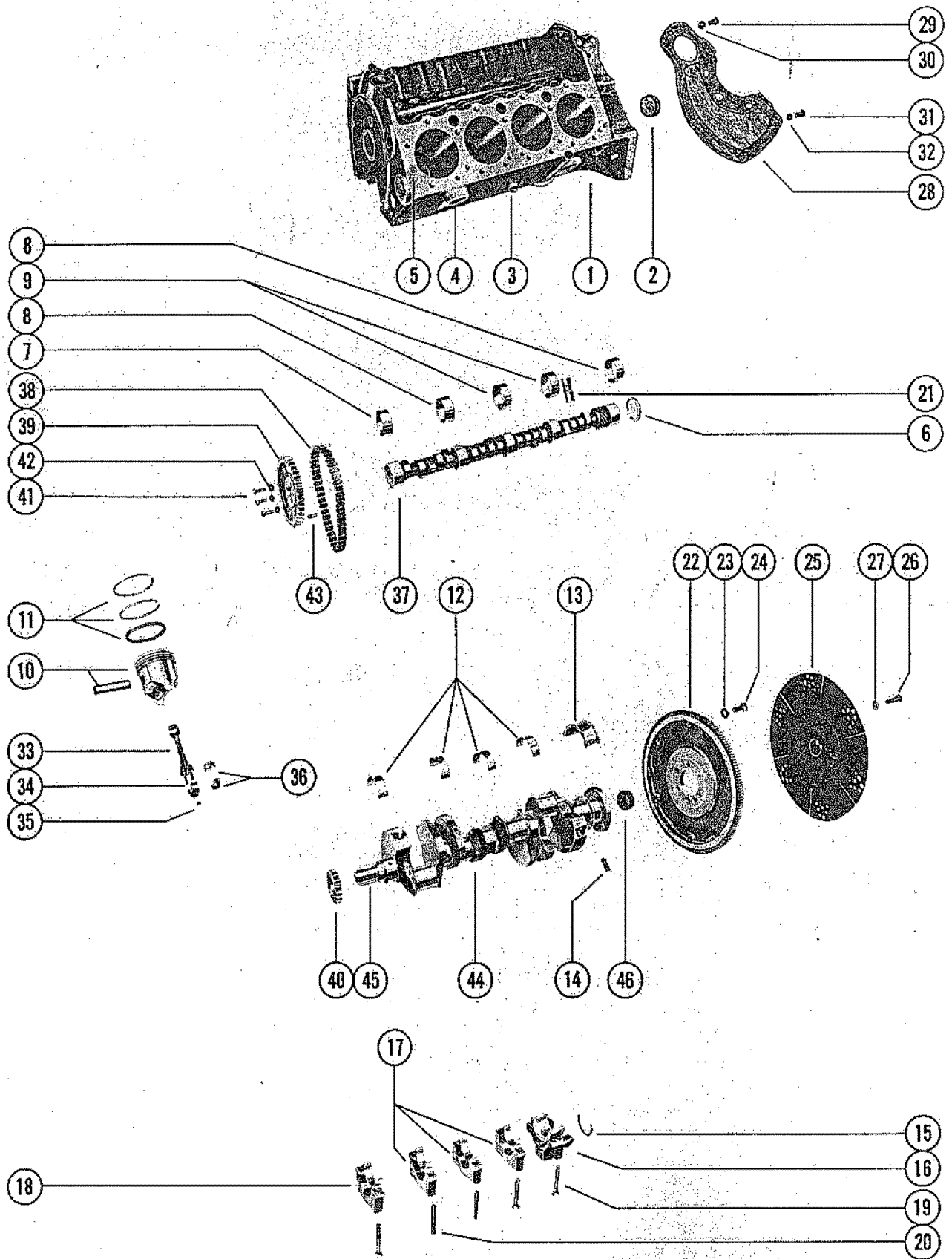
REF. NO.	PART NO.	SYM.	QTY.	DESCRIPTION
1	842-5941	■	1	CYLINDER BLOCK ASSEMBLY
2	19-35308		2	PLUG, EXPANSION - CYLINDER BLOCK (1 1/4")
3	22-64426		2	DRAIN COCK, CYLINDER BLOCK
4	19-34270		8	PLUG, EXPANSION - CYLINDER BLOCK (1 5/8" DIA.)
-	19-45670		6	PLUG, EXPANSION - CYLINDER BLOCK (1/2" DIA.)
-	22-48340		5	PLUG, PIPE - CYLINDER BLOCK (1/4" DIA.)
5	17-35465		4	PIN, DOWER - CYLINDER BLOCK TO CYLINDER HEAD (5/16" DIA.)
6	22-72640		1	PLUG, EXPANSION - CAMSHAFT BEARING HOLE
7	23-34984		1	BEARING UNIT, CAMSHAFT (FRONT)
8	23-34985		2	BEARING UNIT, CAMSHAFT (FRONT INTERMEDIATE AND REAR)
9	23-34986		2	BEARING UNIT, CAMSHAFT (CENTER AND REAR INTERMEDIATE)
10	735-5949	♣	AR	PISTON AND PISTON PIN ASSEMBLY (.001 O.S.) USE STANDARD RING
	735-5950	♣	AR	PISTON AND PISTON PIN ASSEMBLY (.030 O.S.)
11	39-65153		8	RING, PISTON - 8 SETS (STANDARD)
	39-67126	♣	AR	RING, PISTON - 8 SETS (.030 O.S.)
12	23-52205		4	BEARING UNIT, CRANKSHAFT MAIN (STANDARD)
	23-52206	♣	AR	BEARING UNIT, CRANKSHAFT MAIN (.001 U.S.)
	23-52207	♣	AR	BEARING UNIT, CRANKSHAFT MAIN (.002 U.S.)
	23-52209	♣	AR	BEARING UNIT, CRANKSHAFT MAIN (.010 U.S.)
	23-52210	♣	AR	BEARING UNIT, CRANKSHAFT MAIN (.020 U.S.)
13	23-52211		1	BEARING UNIT, CRANKSHAFT MAIN - REAR (STANDARD)
	23-52212	♣	AR	BEARING UNIT, CRANKSHAFT MAIN - REAR (.001 U.S.)
	23-52213	♣	AR	BEARING UNIT, CRANKSHAFT MAIN - REAR (.002 U.S.)
	23-52215	♣	AR	BEARING UNIT, CRANKSHAFT MAIN - REAR (.010 U.S.)
	23-52216	♣	AR	BEARING UNIT, CRANKSHAFT MAIN - REAR (.020 U.S.)
14	17-24813		1	PIN, DOWEL - REAR CRANKSHAFT BEARING CAP (1/4" DIA.)
15	26-58203		2	OIL SEAL, REAR CRANKSHAFT BEARING CAP
16	52217		1	CAP, REAR - CRANKSHAFT BEARING
17	58213		3	CAP, INTERMEDIATE - CRANKSHAFT BEARING
18	54789		1	CAP, FRONT - CRANKSHAFT BEARING
19	10-54788		5	BOLT, CRANKSHAFT BEARING CAP TO CYLINDER BLOCK (2 31/32")
	10-49106		6	BOLT, CRANKSHAFT BEARING CAP TO CYLINDER BLOCK (2 1/2")
20	16-54790		5	STUD, OIL PAN BAFFLE ATTACHING
-	17-35312		2	PIN, DOWEL - CRANKCASE FRONT END COVER (1/4" DIA.)
21	72638		16	LIFTER, HYDRAULIC VALVE - TAPPET
22	222-4521		1	FLYWHEEL ASSEMBLY

■ = INCLUDES ONLY STANDARD PISTONS, PISTON RINGS AND CRANKSHAFT BEARINGS

♣ = C-[10-60169] SCREW IS USED ONLY WITH FLANGES HAVING 1", 1-1/8", 1-1/4" 1-3/8" SHAFT

CONTINUED ON NEXT PAGE ➡

CYLINDER BLOCK AND PISTONS

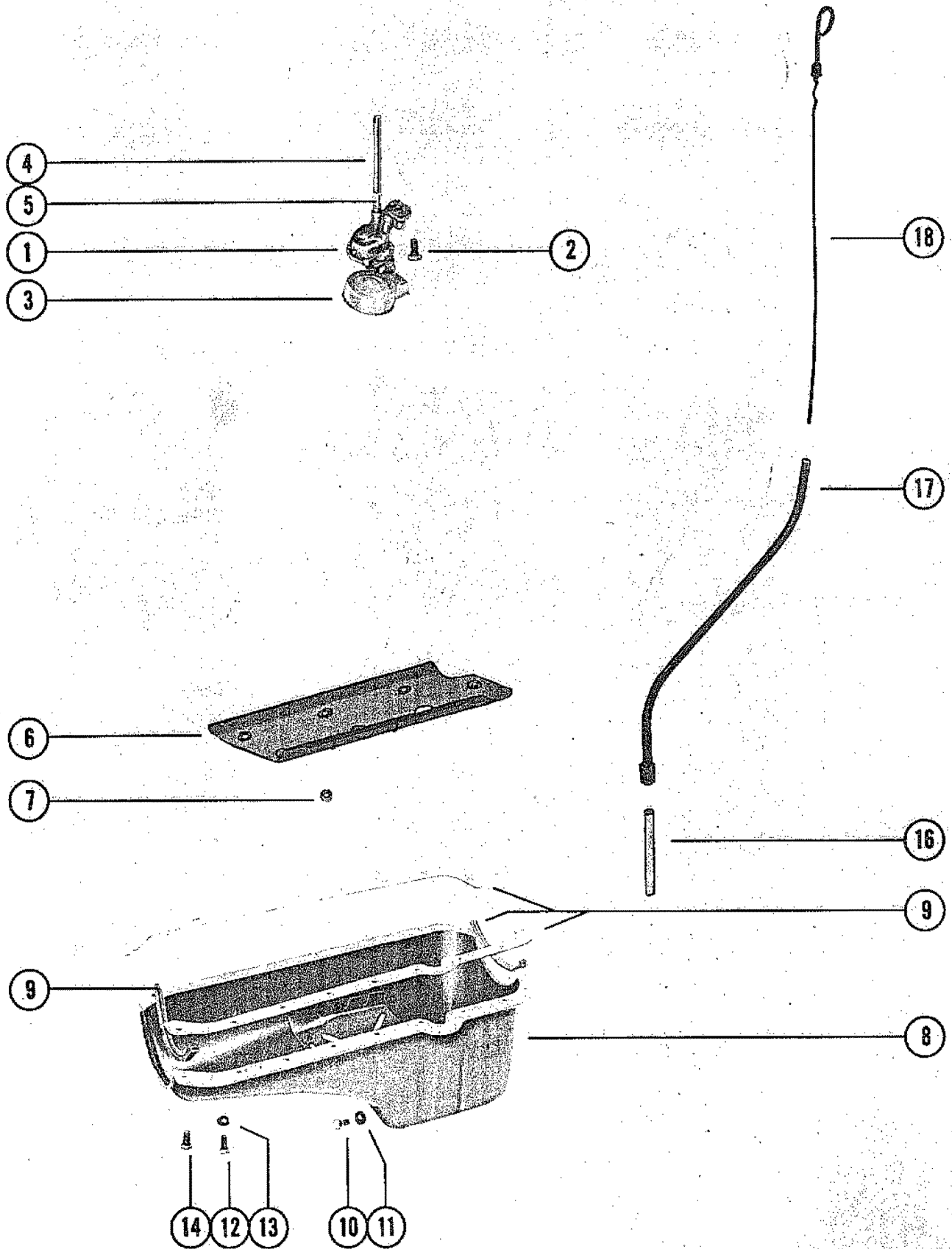


CYLINDER BLOCK AND PISTONS

REF. NO.	PART NO.	SYM.	QTY.	DESCRIPTION
23	13-39131		6	LOCKWASHER, FLYWHEEL SCREW
24	10-49845		6	SCREW, FLYWHEEL TO CRANKSHAFT
25	70637		1	DRIVE PLATE, FLYWHEEL
26	10-35091		6	SCREW, DRIVE PLATE TO FLYWHEEL
27	13-35048		6	LOCKWASHER, DRIVE PLATE SCREW
28	71995		1	COVER, TRANSMISSION HOUSING
29	10-20031		1	SCREW, COVER ATTACHING (1/2")
30	13-26992		1	LOCKWASHER, COVER SCREW
31	10-33231		3	SCREW, COVER ATTACHING (1/2")
32	13-39107		3	LOCKWASHER, COVER SCREW
33	614-5951		8	CONNECTING ROD ASSEMBLY
34	10-52220		16	BOLT, CONNECTING ROD CAP
35	11-37493		16	NUT, CONNECTING ROD CAP BOLT
36	23-52221		1	BEARING SET (4 PAIR), CONNECTING ROD (STANDARD)
	23-52222		AR	BEARING UNIT (PAIR), CONNECTING ROD (.001 U.S.)
	23-52223		AR	BEARING UNIT (PAIR), CONNECTING ROD (.002 U.S.)
	23-52224		AR	BEARING UNIT (PAIR), CONNECTING ROD (.010 U.S.)
	23-52225		AR	BEARING UNIT (PAIR), CONNECTING ROD (.020 U.S.)
37	431-5952		1	CAMSHAFT
38	35378		1	CHAIN, CAMSHAFT TIMING
39	43-35338		1	SPROCKET, CAMSHAFT TIMING (44 TEETH)
40	43-48338		1	SPROCKET, CRANKSHAFT TIMING (22 TEETH)
41	10-34505		3	BOLT, CAMSHAFT TIMING SPROCKET (3/4")
42	12-39167		3	WASHER, CAMSHAFT TIMING SPROCKET BOLT
43	17-24813		1	PIN, DOWEL - CAMSHAFT TIMING SPROCKET (1/4" DIA.)
44	429-5948		1	CRANKSHAFT SERIAL 00000000-04625709
	429-6541		1	CRANKSHAFT SERIAL 04625710-09999999
45	28-34466		2	KEY, CRANKSHAFT PULLEY AND BALANCER
46	23-71647		1	BUSHING, PILOT - CRANKSHAFT

MARINE 280 SHORT - BLOCK; ORDER B - [71051A4] SERIAL NO. 449390 AND BELOW
 ORDER B - [72756A4] SERIAL NO. 4499391 THRU 4625709
 ORDER B - [76215A4] SERIAL NO. 465710 AND UP

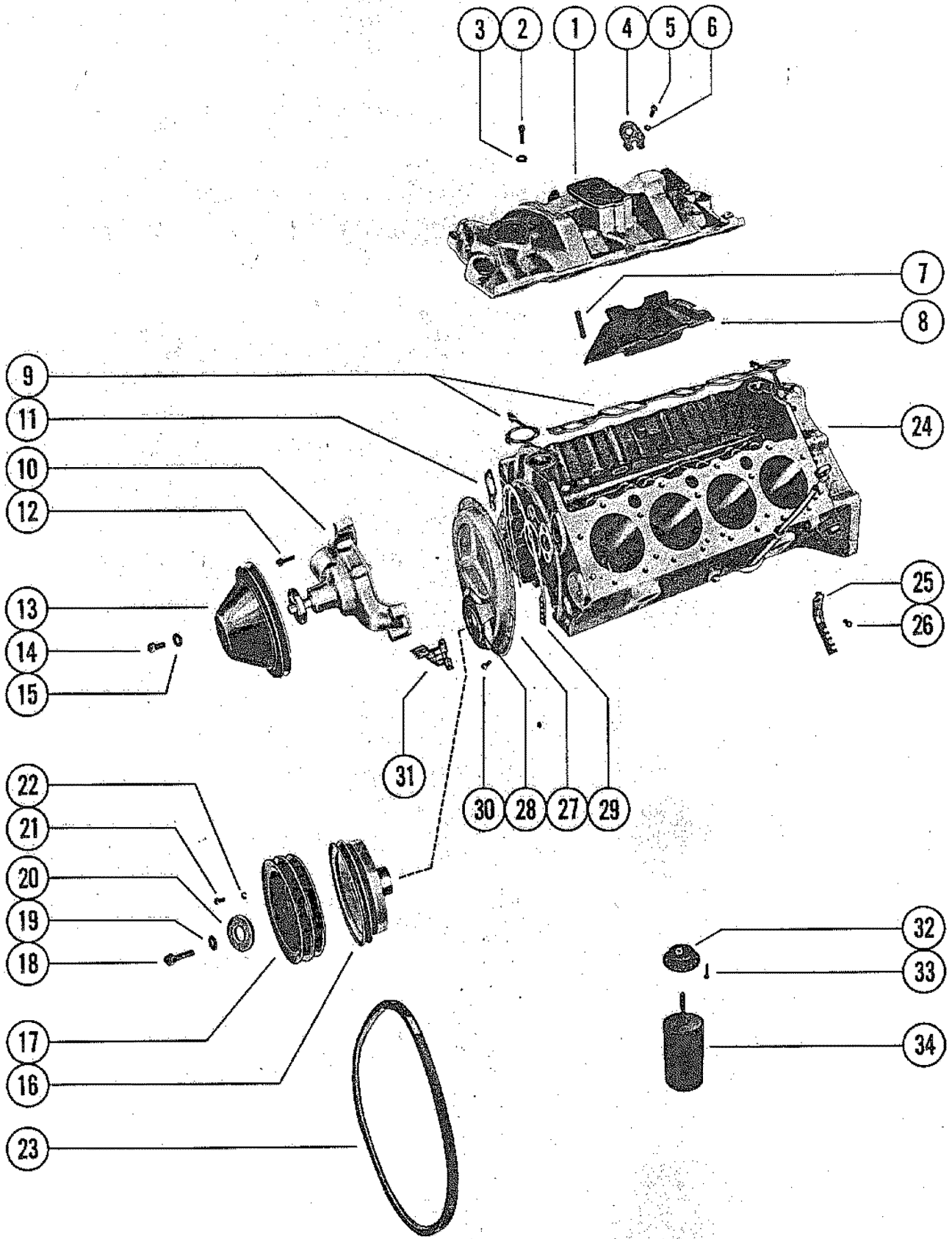
OIL PAN AND OIL PUMP



OIL PAN AND OIL PUMP

REF. NO.	PART NO.	SYM.	QTY.	DESCRIPTION
1	35352		1	OIL PUMP ASSEMBLY
2	10-48333		1	BOLT, OIL PUMP TO CYLINDER BLOCK (2")
3	72659		1	SCREEN ASSEMBLY, OIL PUMP
4	36184		1	SHAFT, OIL PUMP TO DISTRIBUTOR
5	23-36183		1	RETAINER, OIL PUMP SHAFT
6	72651		1	BAFFLE, OIL PAN (CYLINDER BLOCK)
7	11-37500		5	NUT, BAFFLE TO CYLINDER BLOCK STUD
8	72656		1	OIL PAN
9	27-52236		1	GASKET SET, OIL PAN SERIAL 04499390 AND BELOW
	27-72627		1	GASKET SET, OIL PAN SERIAL 04499391 AND BELOW
10	10-72658		1	SCREW, OIL PAN DRAIN
11	27-49955		1	GASKET, OIL PAN DRAIN SCREW
12	10-72644		4	SCREW, OIL PAN TO CYL. BLOCK (5/16 - 18 X 7/8)
13	13-39107		4	WASHER, OIL PAN SCREW
14	10-34277		14	SCREW, OIL PAN TO CYL. BLOCK (1/4 - 20 X 7/8)
16	32-35351		1	TUBE, OIL LEVEL (LOWER) SERIAL 04499390 AND BELOW
	72950		1	TUBE, OIL LEVEL (LOWER) SERIAL 04499391 AND BELOW
17	32-72539		1	TUBE, OIL LEVEL GAUGE (UPPER)
18	72540		1	GAUGE, OIL LEVEL (DIPSTICK) SERIAL 04499390 AND BELOW
	72938		1	GAUGE, OIL LEVEL (DIPSTICK) SERIAL 04499391 AND UP

INTAKE MANIFOLD



INTAKE MANIFOLD

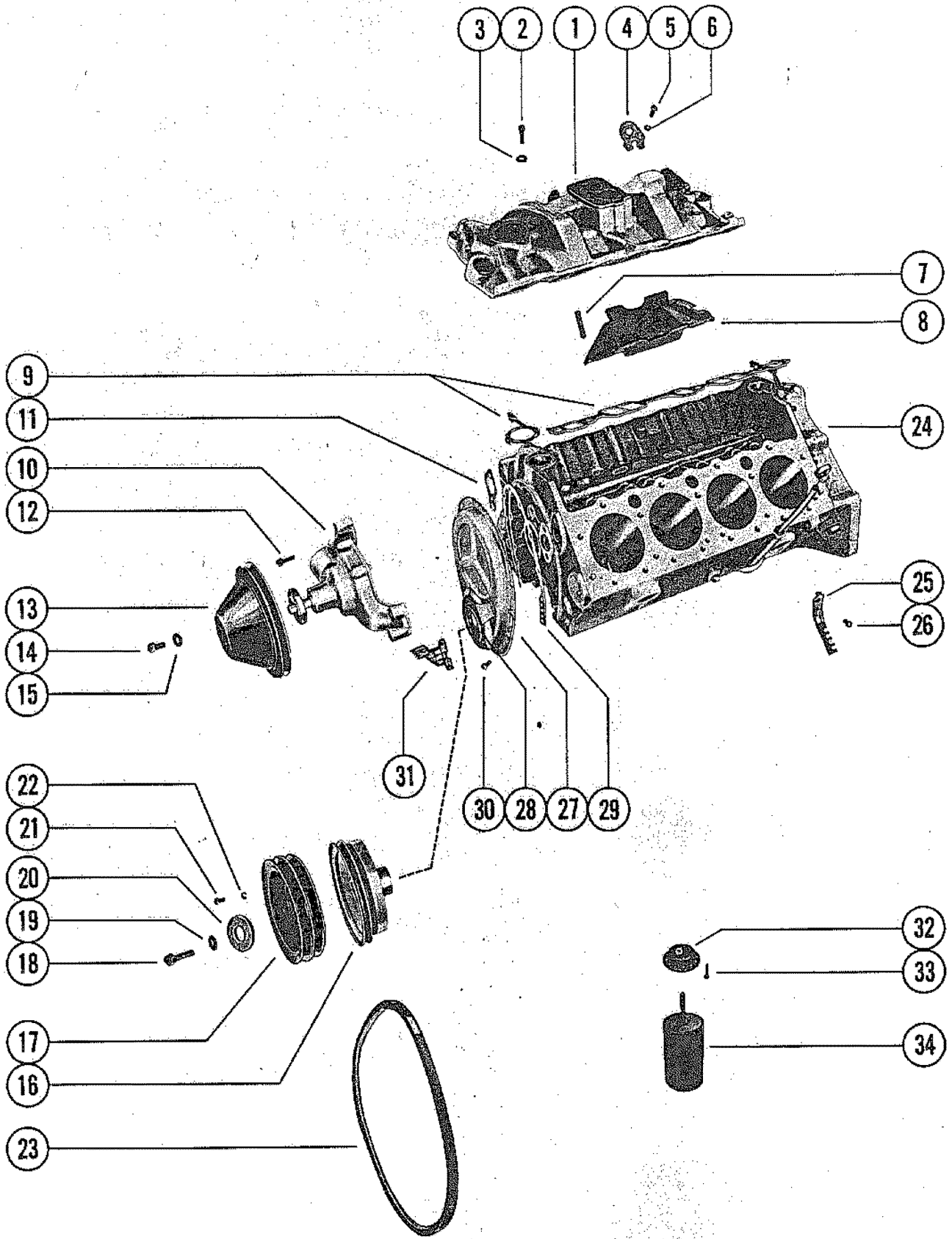
REF. NO.	PART NO.	SYM.	QTY.	DESCRIPTION
1	72646		1	INTAKE MANIFOLD
2	10-26487		9	BOLT, INTAKE MANIFOLD TO CYLINDER BLOCK (1 1/8")
	10-37510		0	BOLT, INTAKE MANIFOLD TO CYLINDER BLOCK (1 1/2")
3	12-49112		3	WASHER, INTAKE MANIFOLD BOLT
4	54-47512		1	EYE, LIFTING
5	10-34354		2	SCREW, LIFTING EYE ATTACHING (1 1/2")
6	13-35048		2	LOCKWASHER, LIFING EYE SCREW
7	16-66203		4	STUD, GUARD TO INTAKE MANIFOLD
8	72647		1	GUARD, INTAKE MANIFOLD
9	27-72637	+	1	GASKET SET, INTAKE MANIFOLD
10	60658		1	WATER PUMP ASSEMBLY
11	27-34897	◇	2	GASKET, WATER PUMP MOUNTING
12	10-48424		3	SCREW, WATER PUMP TO CYLINDER BLOCK (1 5/8")
	10-47688		1	SCREW, WATER PUMP TO CYLINDER BLOCK (2 3/4")
13	52349		1	PULLEY, WATER PUMP
14	10-47277		4	SCREW, PULLEY TO WATER PUMP (3/4")
15	13-39107		4	LOCKWASHER, WATER PUMP PULLEY SCREW
16	72650		1	BALANCER, HARMONIC - CRANKSHAFT
17	33863		1	PULLEY, HARMONIC BALANCE WITHOUT POWER STEERING
18	10-72626		1	BOLT, PULLEY AND HARMONIC BALANCER TO CRANKSHAFT (2")
19	13-39131		1	LOCKWASHER, PULLEY AND HARMONIC BALANCER BOLT
20	12-35332		1	WASHER, PULLEY AND HARMONIC BALANCER BOLT
21	10-34352		3	BOLT, CRANKSHAFT PULLEY TO HARMONIC BALANCER (7/8") WITHOUT POWER STEERING
22	13-35048		3	LOCKWASHER, CRANKSHAFT PULLEY BOLT WITHOUT POWER STEERING
23	57-48120		1	BELT, ALTERNATOR DRIVE (46")
24	842-5941		1	CYLINDER BLOCK ASSEMBLY SEE CYLINDER BLOCK AND PISTONS FOR BREAKDOWN
25	35365		2	SUPPORT, SPARK PLUG LEAD WIRE
26	10-35366		2	SCREW, LEAD WIRE SUPPORT TO CYLINDER (1/2")
27	72648		1	COVER ASSEMBLY, CRANKCASE FRONT END SERIAL 00000000-04625709
	75612		1	COVER ASSEMBLY, CRANKCASE FRONT END SERIAL 04625710-09999999
28	26-59342		1	OIL SEAL, CRANKCASE FRONT END COVER
29	27-34895	◇	1	GASKET, CRANKCASE FRONT END COVER
30	10-34277		10	SCREW, CRANKCASE FRONT END COVER TO CYLINDER BLOCK (7/16")

◇ = INDICATES PARTS INCLUDES WITH B-[1397-3309] GASKET KIT.

⊕ = INDICATES PARTS INCLUDED WITH B-[1397-3465] OFF ENGINE KIT.

CONTINUED ON NEXT PAGE ➡

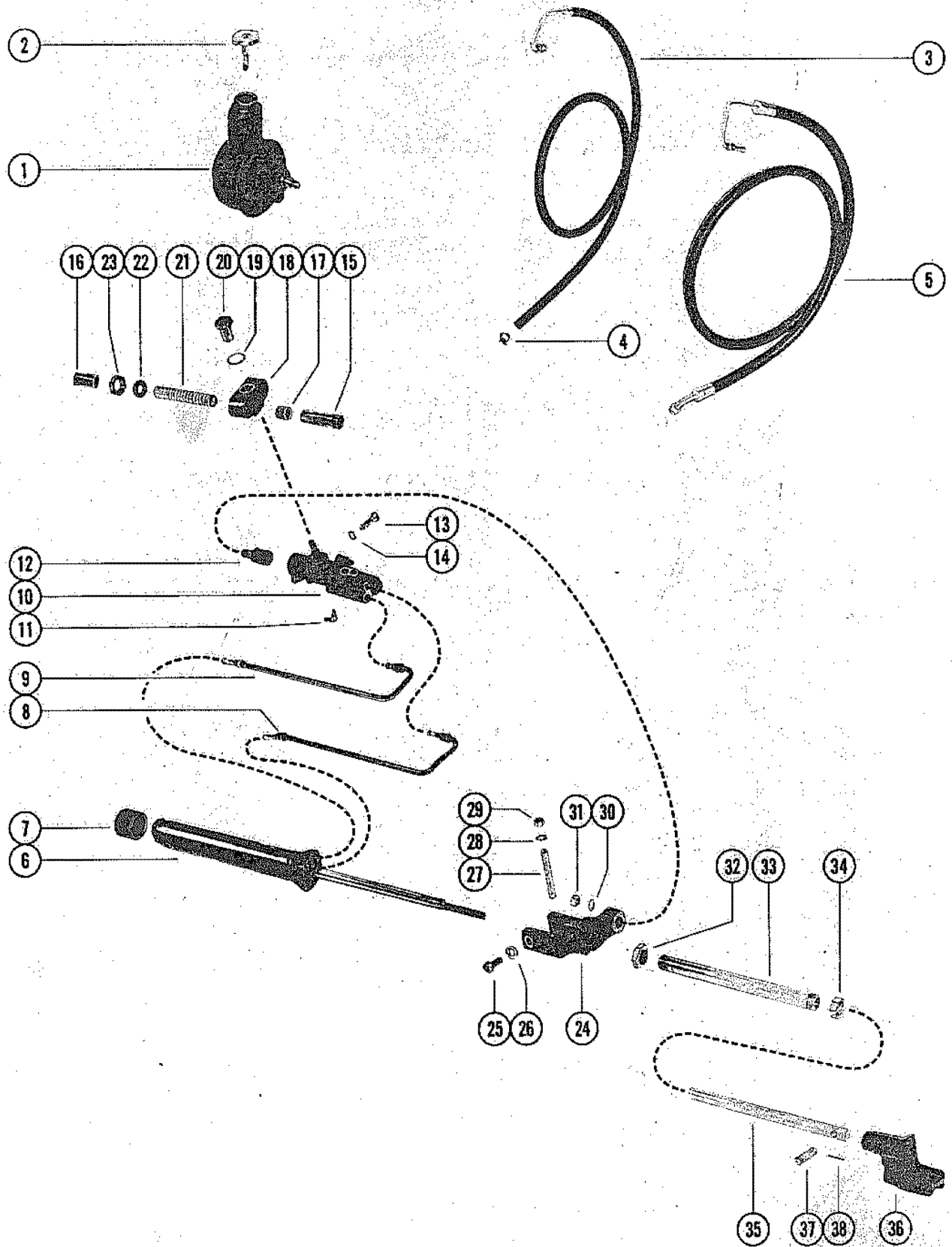
INTAKE MANIFOLD



INTAKE MANIFOLD

REF. NO.	PART NO.	SYM.	QTY.	DESCRIPTION
31	60661		1	POINTER, TIMING
32	53338		1	FILTER VALVE ASSEMBLY
33	10-36404		2	SCREW, FILTER VALVE TO CYLINDER BLOCK SERIAL 00000000-04499390
	10-54786		2	SCREW, FILTER VALVE TO CYLINDER BLOCK SERIAL 04499391-09999999
34	52731		1	OIL FILTER ASSEMBLY

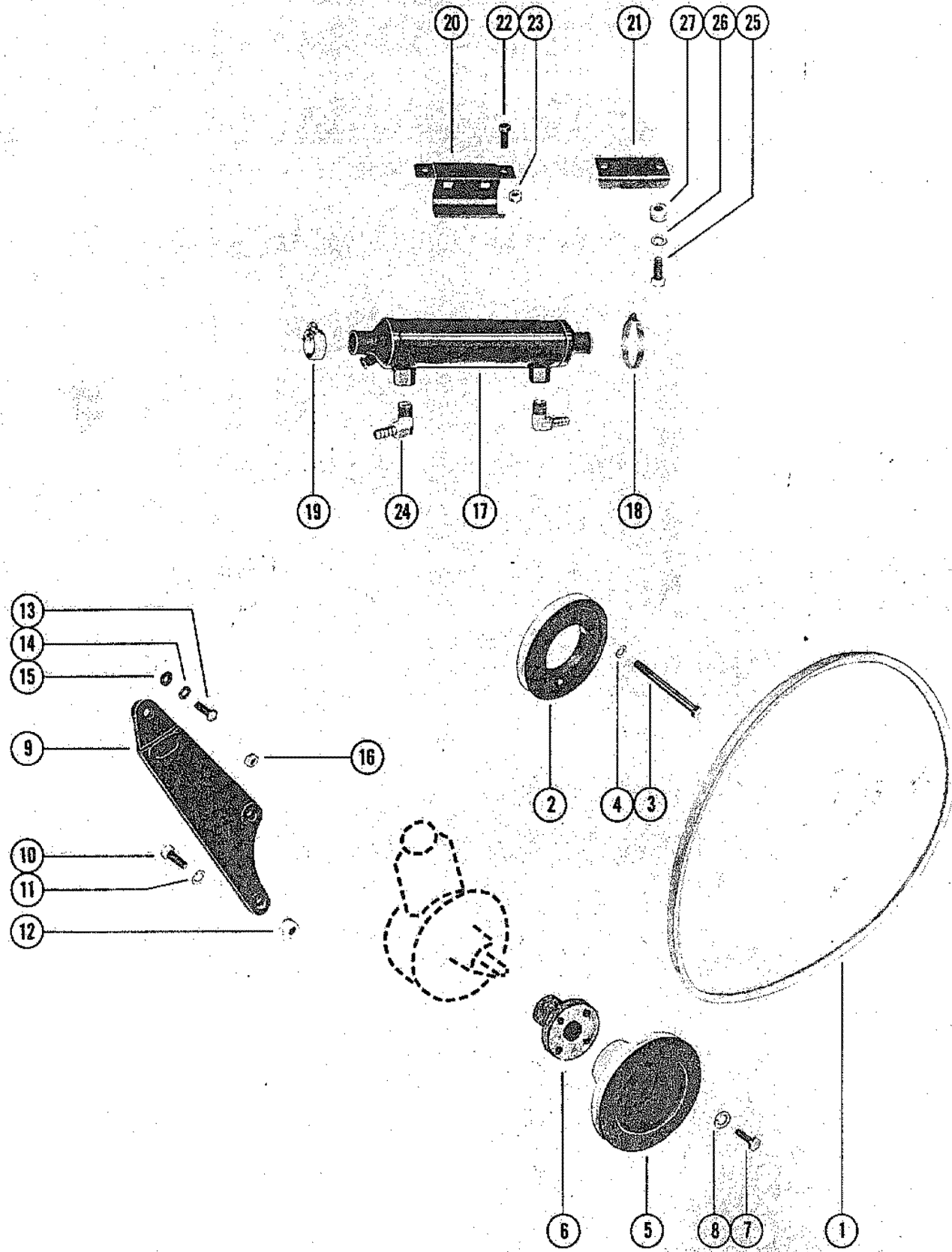
POWER STEERING COMPONENTS (WITH HOSES)



POWER STEERING COMPONENTS (WITH HOSES)

REF. NO.	PART NO.	SYM.	QTY.	DESCRIPTION
1	71317A1		1	STEERING PUMP ASSEMBLY, POWER STEERING
2	38333		1	CAP, FILLER - PUMP
3	32-65929		1	HOSE, RETURN - POWER STEERING (46")
	32-65231		1	HOSE, RETURN - POWER STEERING (31")
4	54-35830		3	CLAMP, HOSE TO STEERING PUMP
5	32-55116		1	HOSE, PRESSURE - POWER STEERING (72")
6	57969		1	CYLINDER, BOOSTER - POWER STEERING
7	26059		1	CAP, RUBBER - BOOSTER CYLINDER
8	32-57633		1	TUBE, EXTENDING - POWER STEERING
9	32-57634		1	TUBE, RETRACTING - POWER STEERING
10	52779		1	VALVE, POWER STEERING
11	22-67305		1	FITTING, GREASE - POWER VALVE
12	16-55109		1	STUD, ADAPTOR - POWER STEERING VALVE
13	10-37612		1	SCREW, CLAMPING (1 1/4")
14	13-37459		1	LOCKWASHER, CLAMPING SCREW
15	23-60652		1	SLEEVE, ADJUSTING - CABLE GUIDE TUBE
16	64414		1	GUIDE, CABLE GUIDE TUBE
17	23-60773		1	SLEEVE, CABLE GUIDE TUBE
18	55110		1	ADAPTOR, CABLE GUIDE TUBE (DUAL)
19	13-20897		1	LOCKWASHER, DUAL ADAPTOR NUT
20	11-55111		1	NUT, DUAL ADAPTOR TO POWER STEERING VALVE
21	32-55112		1	TUBE, CABLE GUIDE
22	12-37985		1	WASHER, CABLE GUIDE TUBE
23	11-37984		1	NUT, CABLE GUIDE TUBE
24	57286		1	BRACKET, MOUNTING - TRANSOM PLATE
25	10-31832		2	SCREW, MOUNTING BRACKET TO TRANSOM PLATE (1")
26	13-31848		2	LOCKWASHER, MOUNTING BRACKET SCREW
27	10-57968		1	SCREW, ADJUSTING - MOUNTING BRACKET (3")
28	13-37459		1	LOCKWASHER, ADJUSTING SCREW
29	11-24883		1	NUT, ADJUSTING SCREW
30	12-20959		1	WASHER, VALVE ADAPTOR STUD
31	11-28040		1	NUT, VALVE ADAPTOR STUD
32	11-32882		1	NUT, MOUNTING TUBE
33	57971		1	TUBE, MOUNTING - BOOSTER ROD EXTENSION
34	11-55983		1	NUT, JAM - MOUNTING TUBE
35	57970		1	EXTENSION, CYLINDER BOOSTER ROD
36	66626		1	ADAPTOR, ROD END
37	17-52798		2	PIN, CLEVIS - STEERING CABLE AND CLEVIS ATTACHING
38	18-46950		2	COTTER PIN, CLEVIS PIN RETAINING

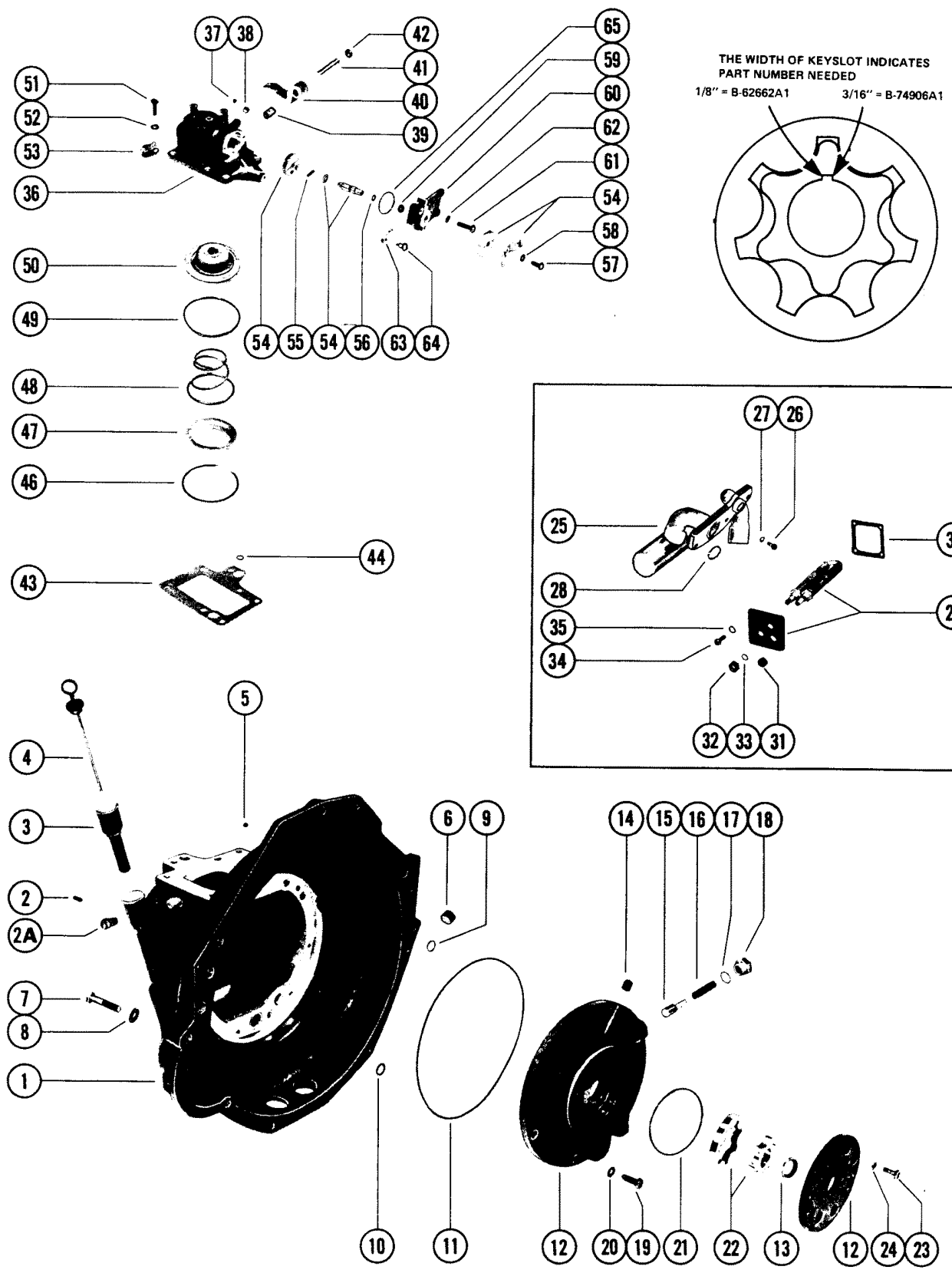
POWER STEERING COMPONENTS



POWER STEERING COMPONENTS

REF. NO.	PART NO.	SYM.	QTY.	DESCRIPTION
1	57-49756		1	V-BELT, STEERING PUMP SERIAL 04499390 AND BELOW
	57-74270		1	V-BELT, STEERING PUMP SERIAL 04499391 AND THRU 4499780
	57-77274		1	V-BELT, STEERING PUMP SERIAL 04499781 AND UP
2	48086A1		1	PULLEY ASSEMBLY, CRANKSHAFT SERIAL 04499780 AND BELOW
3	10-48308		3	SCREW, PULLEY TO DAMPER (3 3/4") SERIAL 04499780 AND BELOW
4	13-35048		3	LOCKWASHER, PULLEY SCREW SERIAL 04499780 AND BELOW
2	75040		1	PULLEY, CRANKSHAFT SERIAL 04499781 AND UP
3	10-35786		3	SCREW, PULLEY ATTACHING (1") SERIAL 04499781 AND UP
4	13-35048		3	LOCKWASHER, PULLEY SCREW SERIAL 04499781 AND UP
5	71137		1	PULLEY, STEERING PUMP SERIAL 04499390 AND BELOW
	73873		1	PULLEY, STEERING PUMP SERIAL 04499391 AND UP
6	71136		1	HUB, STEERING PUMP SERIAL 04499390 AND BELOW
7	10-62049		4	SCREW, PULLEY TO HUB (1") SERIAL 04499390 AND BELOW
8	13-39107		4	LOCKWASHER, PULLEY SCREW SERIAL 04499390 AND BELOW
9	57611		1	BRACKET, PUMP MOUNTING
10	10-34354		1	SCREW, STEERING PUMP TO BRACKET (1 3/4")
11	13-35048		1	LOCKWASHER, STEERING PUMP SCREW
12	23-36534		1	SPACER, STEERING PUMP SCREW
13	10-37612		2	SCREW, BRACKET TO CYLINDER BLOCK (1 1/4")
14	13-35048		2	LOCKWASHER, BRACKET SCREW
15	12-38622		1	WASHER, BRACKET SCREW (FOR SLOT)
16	11-52412		1	NUT, STEERING PUMP STUD
17	49770		1	OIL COOLER
18	54-32781		2	CLAMP, OIL COOLER TO BRACKET
19	54-64324		2	CLAMP, HOSE ATTACHING TO OIL COOLER BRACKET
20	49748A1		1	BRACKET, OIL COOLER
21	49735		1	BRACKET, OIL COOLER MOUNT
22	10-27165		1	SCREW, OIL COOLER MOUNT BRACKET
23	11-52412		1	NUT, MOUNT BRACKET SCREW
24	22-37760		2	ELBOW, OIL COOLER
25	10-48424		2	SCREW, BRACKET TO ENGINE (1 5/8")
26	13-35048		2	LOCKWASHER, BRACKET SCREW
27	23-36365		2	SPACER, BRACKET SCREW

TRANSMISSION ASSEMBLY (STERN DRIVE) PAGE 1



TRANSMISSION ASSEMBLY (STERN DRIVE) PAGE 1

REF. NO.	PART NO.	SYM.	QTY.	DESCRIPTION
-	109-ASLI	■	1	TRANSMISSION ASSEMBLY, COMPLETE B-70711A6 TRANSMISSION ASSEMBLY INCLUDES ALL PARTS FROM REFERENCE #1 THRU #109 AS LISTED ON PAGES 34 AND 35.
1	70711A3		1	HOUSING ASSEMBLY, TRANSMISSION
2		▲	1	PIN, SPRING - TRANSMISSION HOUSING
2A	22-47902		1	VENT, TRANSMISSION HOUSING
3	64090A1		1	TUBE ASSEMBLY, DIPSTICK
4	63037		1	DIPSTICK
5		▲	1	BALL, TRANSMISSION HOUSING (1/4")
6	22-36373		1	PLUG, PIPE - TRANSMISSION HOUSING
7	10-34354		4	SCREW, TRANSMISSION HOUSING TO ENGINE (1 1/2") NOT INCLUDED WITH TRANSMISSION ASSEMBLY
	10-32132		2	SCREW, TRANSMISSION HOUSING TO ENGINE (1 3/4") NOT INCLUDED WITH TRANSMISSION ASSEMBLY
8	13-35048		6	LOCKWASHER, TRANSMISSION HOUSING SCREW NOT INCLUDED WITH TRANSMISSION ASSEMBLY
9		❖	2	"O" RING, PUMP TO TRANSMISSION HOUSING (1/2" O.D.)
10		❖	1	"O" RING, PUMP TO TRANSMISSION HOUSING (1" O.D.)
11		❖	1	"O" RING, PUMP TO TRANSMISSION HOUSING (9" O.D.)
12	62718A2		1	PUMP ASSEMBLY
13		❖	1	SEAL, PUMP COVER
14	22-20025		2	PLUG, PUMP
15	62722		1	PISTON, RELIEF VALVE
16	24-62790		1	SPRING, RELIEF VALVE PISTON
17		❖	2	"O" RING, PUMP PLUG (3/4" O.D.)
18	19-62753		2	PLUG, PUMP
19	10-35386		5	SCREW, PUMP TO TRANSMISSION HOUSING (1")
	10-31984		2	SCREW, PUMP TO TRANSMISSION HOUSING (1 3/8")
20		❖	7	WASHER, SEALING - PUMP SCREW
21		❖	1	"O" RING, PUMP (3 7/16" O.D.)
22	62662A1		1	PUMP ASSEMBLY, GEROTOR SEE NOTE
	74906A1		1	PUMP ASSEMBLY, GEROTOR SEE NOTE
23	10-60300		7	SCREW, PUMP ATTACHING (3/4")
24	13-26992		7	LOCKWASHER, PUMP SCREW
25	63126		1	FLANGE ASSEMBLY, OIL COOLER
26	10-66137		1	SCREW, FLANGE TO TRANSMISSION HOUSING (1/2")
27	13-26992		1	LOCKWASHER, FLANGE SCREW
28		❖	1	"O" RING, FLANGE TO TRANSMISSION TO HOUSING (1" O.D.)
29	66515A1		1	COVER ASSEMBLY, OIL COOLER
30	27-62724		1	GASKET, OIL COOLER COVER
31	22-36373		1	PLUG, PIPE - COVER

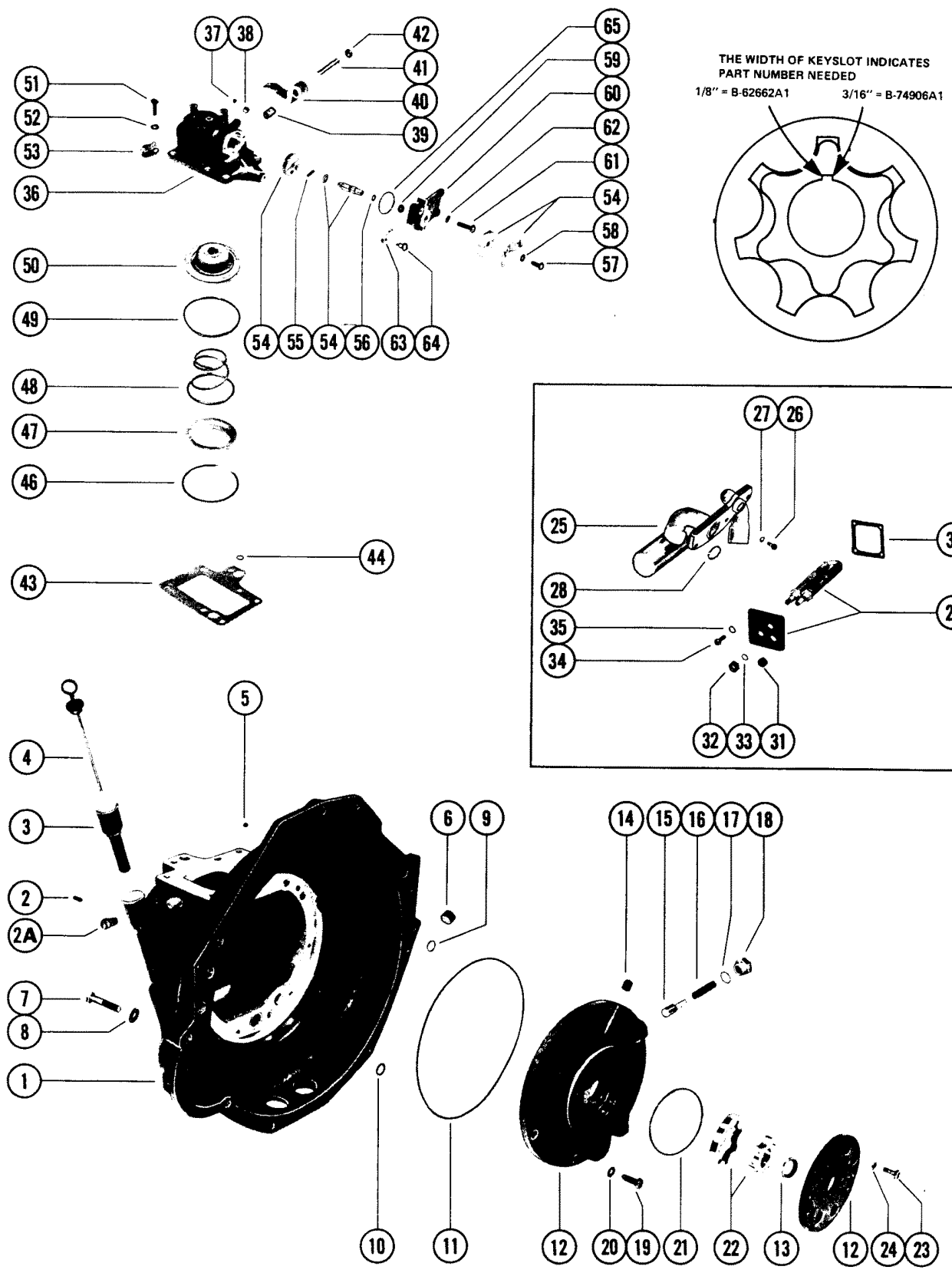
■ = NOTE B: B-70711A6 TRANSMISSION ASSEMBLY INCLUDES ALL PARTS FROM REFERENCE #1 THRU #109 AS

▲ = CONTENTS OF B-[63280A1] REPAIR KIT

❖ = CONTENTS OF B-[63222A1] SEALING KIT

CONTINUED ON NEXT PAGE ➡

TRANSMISSION ASSEMBLY (STERN DRIVE) PAGE 1

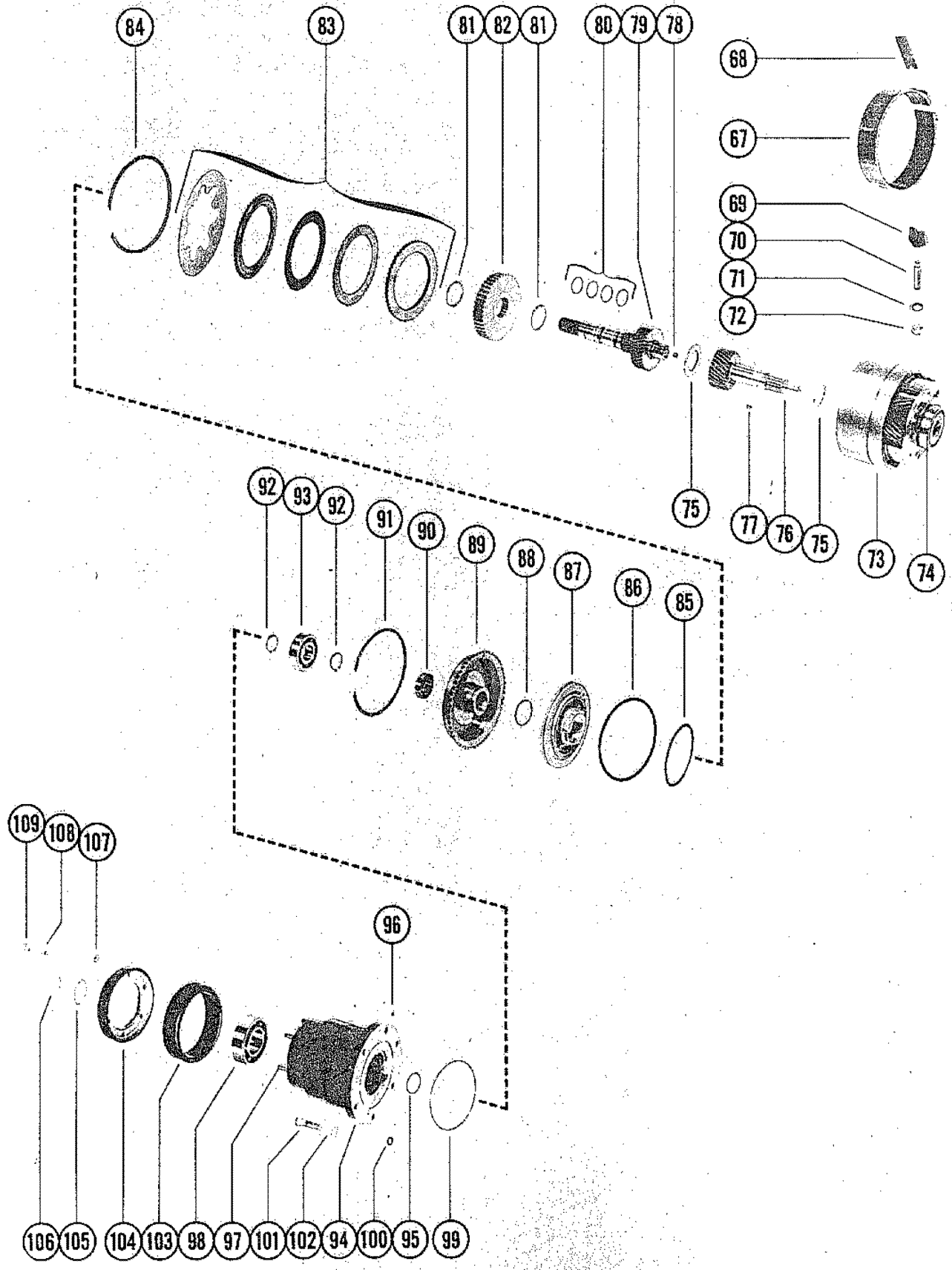


TRANSMISSION ASSEMBLY (STERN DRIVE) PAGE 1

REF. NO.	PART NO.	SYM.	QTY.	DESCRIPTION
32	11-21612		2	NUT, JAM - OIL COOLER
33		❖	2	"O" RING, OIL COOLER JAM NUT (9/16" O.D.)
34	10-60300		4	SCREW, COVER TO TRANSMISSION HOUSING (3/4")
35	13-26992		4	LOCKWASHER, COVER SCREW
36	62740A2		1	CONTROL VALVE ASSEMBLY
37		▲	1	BALL, CONTROL VALVE (1/4")
38	22-39072		1	PLUG, CONTROL VALVE
39	23-47797		1	BUSHING, REVERSE CLUTCH LEVER
40	62735		1	LEVER, REVERSE CLUTCH
41	17-62730		1	PIN, LEVER TO CONTROL VALVE
42		▲	1	PLUG, EXPANSION - CONTROL VALVE (9/16")
43		❖	1	GASKET, CONTROL VALVE
44		❖	2	"O" RING, CONTROL VALVE (9/16" O.D.)
46		▲	1	SNAP RING
47	62665		1	RETAINER, SPRING
48	24-62677		1	SPRING, SERVO PISTON
49		❖	1	"O" RING, ACCUMULATOR PISTON
50	66981A2		1	PISTON, SERVO
51	10-35386		7	SCREW, CONTROL VALVE TO TRANSMISSION HOUSING (1")
52	13-39107		7	LOCKWASHER, CONTROL VALVE SCREW
53	54-47483		1	"J" CLAMP, CONTROL VALVE SCREW
54	65080A1		1	SHAFT ASSEMBLY, CONTROL VALVE
55	17-24800		1	ROLL PIN, CONTROL SHAFT
56		❖	1	"O" RING, CONTROL SHAFT (7/16" O.D.)
57	10-32417		1	SCREW, LINK AND CAM TO CONTROL SHAFT (5/8")
58	13-26992		1	LOCKWASHER, LINK AND CAM SCREW
59	12-71836		1	WASHER, CONTROL VALVE SHAFT
60	62747		1	CAP, CONTROL VALVE
61	10-65027		2	SCREW, CAP TO CONTROL VALVE (1")
62	13-26992		2	LOCKWASHER, CAM SCREW
63	62742		1	CAM FOLLOWER
64	10-53192		1	SCREW, CAM FOLLOWER TO CAP (1/2")
65		❖	1	"O" RING, CONTROL VALVE CAP (1 9/16" O.D.)

▲ = CONTENTS OF B-[63280A1] REPAIR KIT
❖ = CONTENTS OF B-[63222A1] SEALING KIT

TRANSMISSION ASSEMBLY (STERN DRIVE) PAGE 2



TRANSMISSION ASSEMBLY (STERN DRIVE) PAGE 2

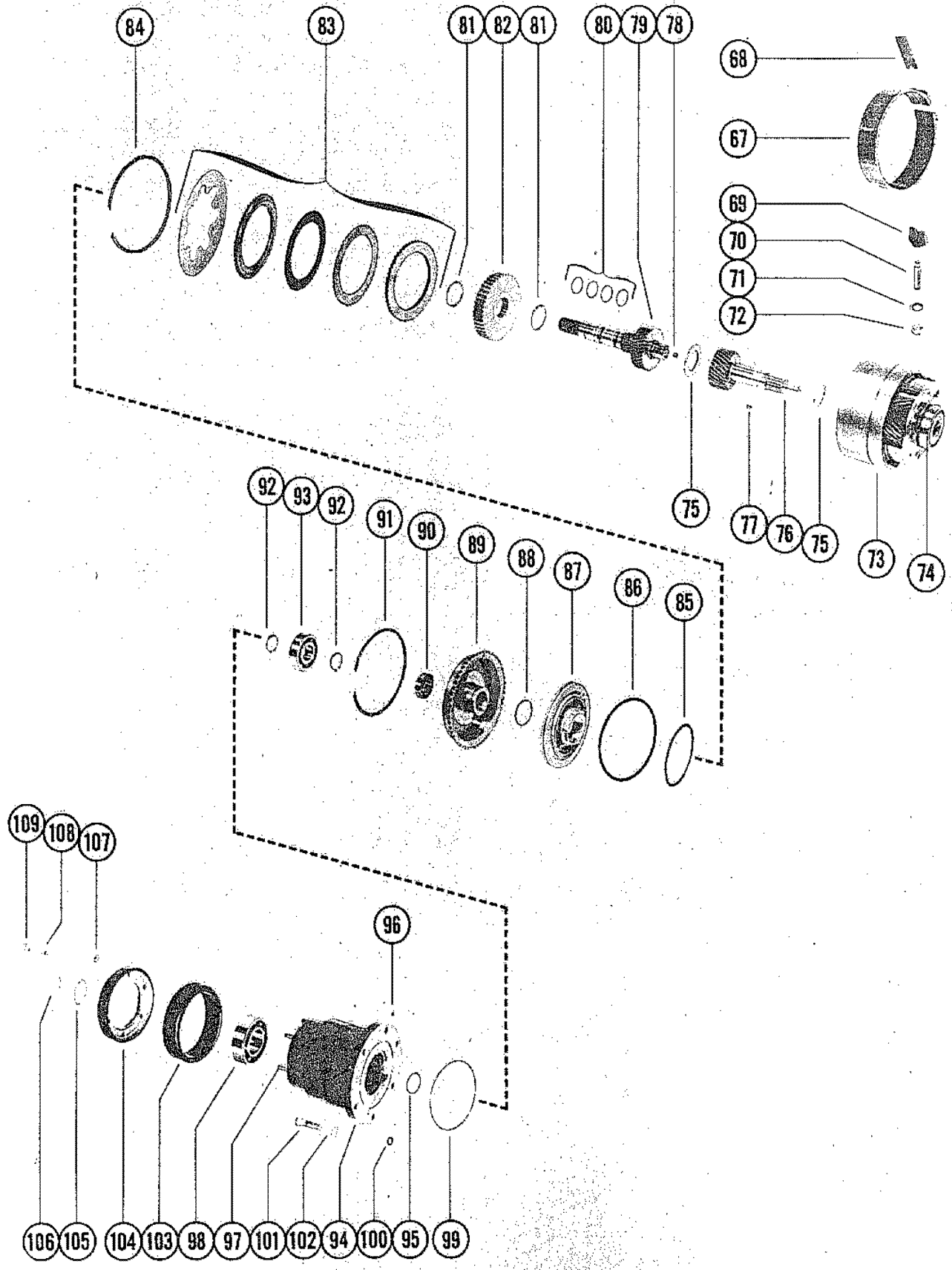
REF. NO.	PART NO.	SYM.	QTY.	DESCRIPTION
-	70711A6		1	TRANSMISSION ASSEMBLY, COMPLETE SEE NOTE B
67	62687		1	BAND, CLUTCH
68	62723		1	LINK, CLUTCH BAND
69	62666		1	STRUT, CLUTCH BAND ANCHOR
70	10-62679		1	SCREW, ADJUSTING - CLUTCH BAND
71	12-62781		1	WASHER, SEALING - ADJUSTING SCREW
72	11-21612		1	NUT, JAM - ADJUSTING SCREW
73	62694A3		1	PLANETARY AND CLUTCH DRUM ASSEMBLY
74	30-62699		1	BALL BEARING, PLANETARY AND CLUTCH DRUM
75	31-66723		2	BEARING, THRUST - INPUT SHAFT
76	62736A1		1	SHAFT ASSEMBLY, INPUT SEE NOTE A
	76187A1		1	SHAFT ASSEMBLY, INPUT SEE NOTE A
77		▲	1	KEY, INPUT SHAFT
78	22-39072		1	PLUG, PIPE - OUTPUT SHAFT
79	67993A2		1	SHAFT, OUTPUT
80		♥	4	RING SEAL, OUTPUT SHAFT
81		▲	2	SNAP RING, CLUTCH HUB TO OUTPUT SHAFT
82	62693		1	HUB, CLUTCH
83	62691A1		1	CLUTCH PLATE KIT
84		▲	1	SNAP RING, CLUTCH PACK KIT RETAINING
85	62686		1	RING, PRESSURE - CLUTCH SPRING
86		♥	1	SEAL, PISTON - OUTER
87	62667		1	PISTON, CLUTCH
88		♥	1	"O" RING, PISTON - INNER
89	67282A1		1	HOUSING ASSEMBLY, PISTON
90	30-62697		1	BALL BEARING, PISTON HOUSING
91		▲	1	SNAP RING, PISTON HOUSING TO OUTPUT SHAFT
92		▲	2	SNAP RING, BALL BEARING TO OUTPUT SHAFT
93	30-62698		1	BALL BEARING, OUTPUT SHAFT
94	62739A2		1	HOUSING ASSEMBLY, OUTPUT
95		♥	1	SEAL, OUTPUT HOUSING
96		▲	1	BALL, OUTPUT HOUSING (3/16")
97	16-32027		6	STUD, RETAINER TO OUTPUT HOUSING
98	30-62780		1	BALL BEARING, OUTPUT HOUSING
99		♥	1	"O" RING, OUTPUT HSG./TRANSMISSION HSG. (3 7/16" O.D.)
100		♥	1	"O" RING, OIL PRESSURE - OUTPUT HOUSING (7/16" O.D.)
101	10-53016		6	SCREW, OUTPUT HOUSING TO TRANSMISSION HOUSING (1 1/4")
102	13-39107		6	LOCKWASHER, OUTPUT HOUSING SCREW
103	62734		1	MOUNT, RUBBER - OUTPUT HOUSING (REAR)
104	65989		1	RETAINER, BALL BEARING

▲ = CONTENTS OF B-[63280A1] REPAIR KIT

♥ = C-[27-33395A1] GASKET SET , EXHAUST MANIFOLD

CONTINUED ON NEXT PAGE ➡

TRANSMISSION ASSEMBLY (STERN DRIVE) PAGE 2

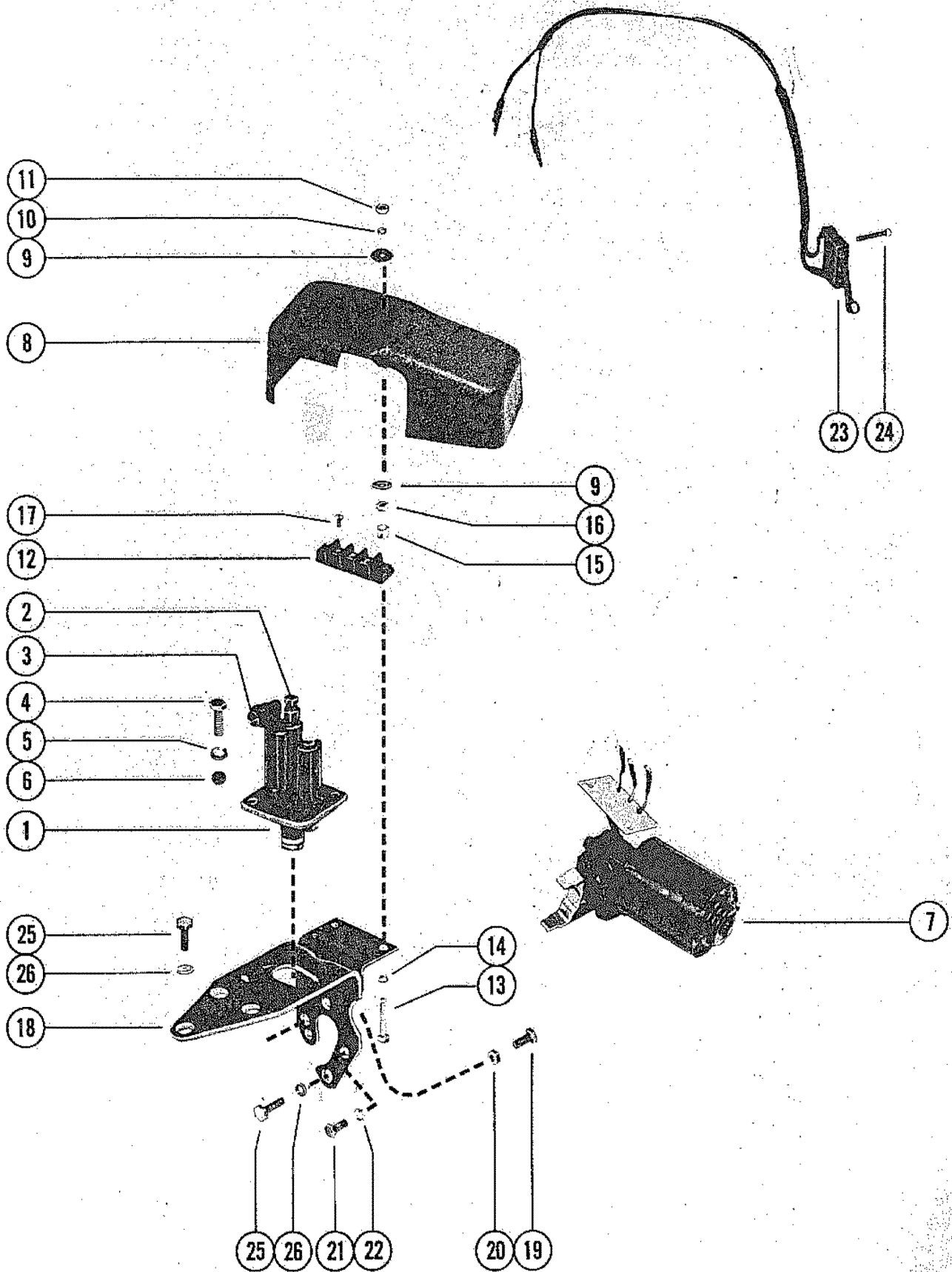


TRANSMISSION ASSEMBLY (STERN DRIVE) PAGE 2

REF. NO.	PART NO.	SYM.	QTY.	DESCRIPTION
105	12-62684		1	WASHER, THRUST - OUTPUT HOUSING
106		▲	1	"O" RING, OUTPUT HOUSING (7/8" O.D.)
107	11-24652		6	NUT, RETAINER STUD
108	22-31345		1	FITTING, GREASE - RETAINER
109	29359		1	LUBRICAP, GREASE FITTING

▲ = CONTENTS OF B-[63280A1] REPAIR KIT

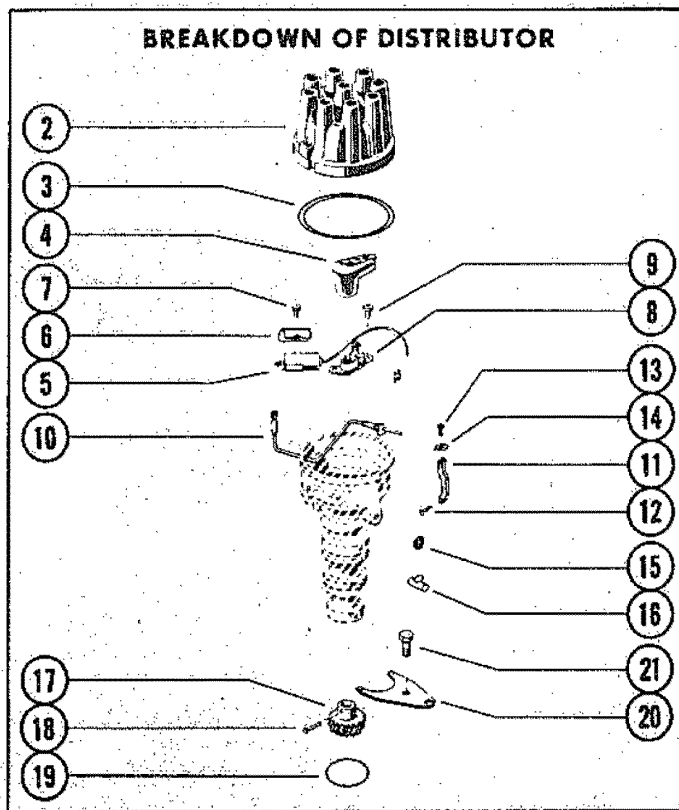
REVERSE LOCK VALVE AND SHIFT ACTUATOR



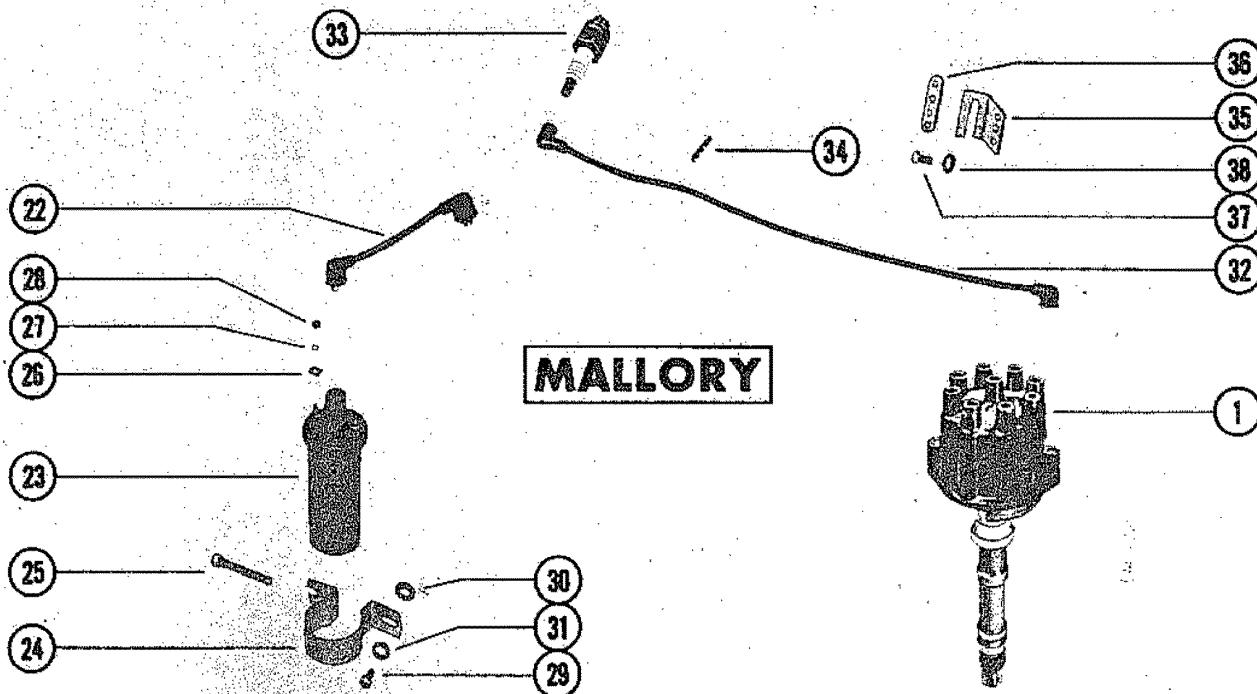
REVERSE LOCK VALVE AND SHIFT ACTUATOR

REF. NO.	PART NO.	SYM.	QTY.	DESCRIPTION
1	54951A2		1	REVERSE LOCK VALVE ASSEMBLY
2	22-48166		1	FITTING, STRAIGHT - REVERSE LOCK VALVE
3	22-52666		1	ELBOW, REVERSE LOCK VALVE
4	10-22485		2	SCREW, REVERSE LOCK VALVE TO CONTROL VALVE (3/4")
5	12-20583		2	WASHER, REVERSE LOCK VALVE
6	11-46887		2	NUT, REVERSE LOCK VALVE SCREW
7	69392		1	SHIFT ACTUATOR ASSEMBLY SEE SHIFT ACTUATOR ASSEMBLY, COMPLETE
8	63038		1	COVER, SHIFT ACTUATOR
9	12-22887		4	WASHER, TERMINAL BLOCK AND COVER SCREW
10	13-26996		2	LOCKWASHER, TERMINAL BLOCK AND COVER SCREW
11	11-20645		2	NUT, TERMINAL BLOCK AND COVER SCREW
12	86-62993		1	TERMINAL BLOCK, MOUNTING BRACKET
13	10-24233		2	SCREW, TERMINAL BLOCK AND COVER TO BRACKET (1 3/8")
14	13-26996		2	LOCKWASHER, TERMINAL BLOCK AND COVER SCREW
15	23-61526		2	SPACER, TERMINAL BLOCK AND COVER SCREW
16	11-24656		2	NUT, TERMINAL BLOCK AND COVER SCREW
17	10-36046		3	SCREW, HARNESS TO TERMINAL BLOCK (1/4")
18	62745A1		1	BRACKET ASSEMBLY, MOUNTING - SHIFT ACTUATOR
19	10-69028		1	SCREW, STOP (3/4")
20	11-46887		1	NUT, STOP SCREW
21	10-34290		3	SCREW, SHIFT ACTUATOR TO MOUNTING BRACKET (5/8")
22	13-26992		3	LOCKWASHER, SHIFT ACTUATOR SCREW
23	84-70958A1		1	SWITCH ASSEMBLY, CUT-OUT
24	10-30902		2	SCREW, SWITCH TO CONTROL VALVE CAP (3/4")
25	10-25299		4	SCREW, MOUNTING BRACKET TO CONTROL VALVE (3/4")
26	13-39107		4	LOCKWASHER, CONTROL VALVE BRACKET SCREW

DISTRIBUTOR ASSEMBLY (MALLORY)



SERIAL NO. 4499391 AND UP



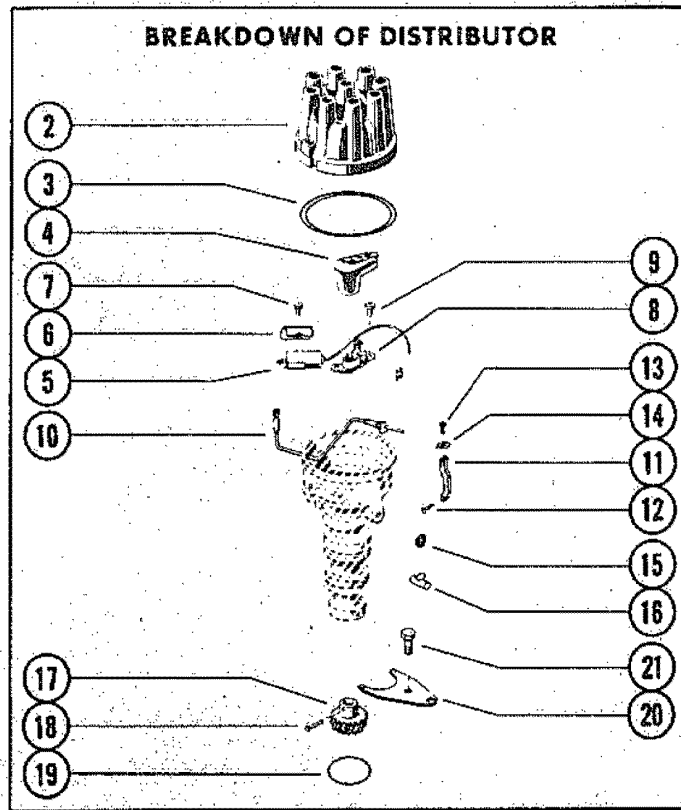
DISTRIBUTOR ASSEMBLY (MALLORY)

REF. NO.	PART NO.	SYM.	QTY.	DESCRIPTION
1	74905A3		1	DISTRIBUTOR ASSEMBLY, COMPLETE
2	391-5075		1	CAP, DISTRIBUTOR
3	391-6389		1	GASKET, DISTRIBUTOR CAP
4	391-5088		1	ROTOR
5	391-5092		1	CONDENSER
6	391-5093		1	BRACKET, CONDENSER ATTACHING
7	391-5091		1	SCREW, CONDENSER BRACKET ATTACHING
8	391-5090		1	BREAKER ASSEMBLY
9	391-5089		1	SCREW, BREAKER ATTACHING
10	84-65773A6		1	LEAD ASSEMBLY, PRIMARY TERMINAL
11	391-5085		2	CLAMP, DISTRIBUTOR CAP ATTACHING
12	391-5084		2	PIN, CLAMP TO DISTRIBUTOR
13	391-5087		2	SCREW, DISTRIBUTOR CAP ATTACHING
14	391-5086		2	WASHER, DISTRIBUTOR CAP SCREW
15	391-5083		2	VENT, SCREEN
16	391-5080		2	OILER
17	391-6390		1	GEAR, DRIVE
18	391-6391		1	PIN, DRIVE GEAR
19	27-52184	+	1	GASKET, DISTRIBUTOR
20	52185		1	CLAMP, DISTRIBUTOR TO INTAKE MANIFOLD
21	10-54528		1	SCREW, DISTRIBUTOR TO CLAMP ATTACHING (7/8")
22	84-75901		1	LEAD ASSEMBLY, DISTRIBUTOR TO COIL (5")
23	26433		1	COIL, IGNITION - DELCO REMY -DELCO DO NOT MIX WITH PRESTOLITE PARTS
24	34106		1	BRACKET, IGNITION COIL MOUNTING -DELCO DO NOT MIX WITH PRESTOLITE PARTS
25	10-33311		1	SCREW, COIL TO BRACKET (1 1/2") -DELCO DO NOT MIX WITH PRESTOLITE PARTS
23	32193		1	COIL, IGNITION - PRESTOLITE DO NOT MIX WITH DELCO REMY PARTS
24	77294		1	BRACKET, IGNITION COIL MOUNTING -PRESTOLITE DO NOT MIX WITH DELCO REMY PARTS
25	10-66652		1	SCREW, COIL TO BRACKET (1 1/2") -PRESTOLITE DO NOT MIX WITH DELCO REMY PARTS
26	12-30164		2	WASHER, IGNITION COIL TERMINAL
27	13-26996		2	LOCKWASHER, IGNITION COIL TERMINAL
28	11-68219		2	NUT, IGNITION COIL TERMINAL
29	10-25299		2	SCREW, IGNITION COIL ATTACHING (3/4")
30	12-20084		2	WASHER, IGNITION COIL ATTACHING SCREW
31	13-26993		2	LOCKWASHER, IGNITION COIL ATTACHING SCREW
32	84-67957--5		1	LEAD ASSEMBLY, HIGH TENSION (38 1/2") - CYL. #2
	84-67957--8		1	LEAD ASSEMBLY, HIGH TENSION (37") - CYL. #3
	84-67957--4		1	LEAD ASSEMBLY, HIGH TENSION (34") - CYL. #5
	84-67957--1		1	LEAD ASSEMBLY, HIGH TENSION (31") - CYL. #4

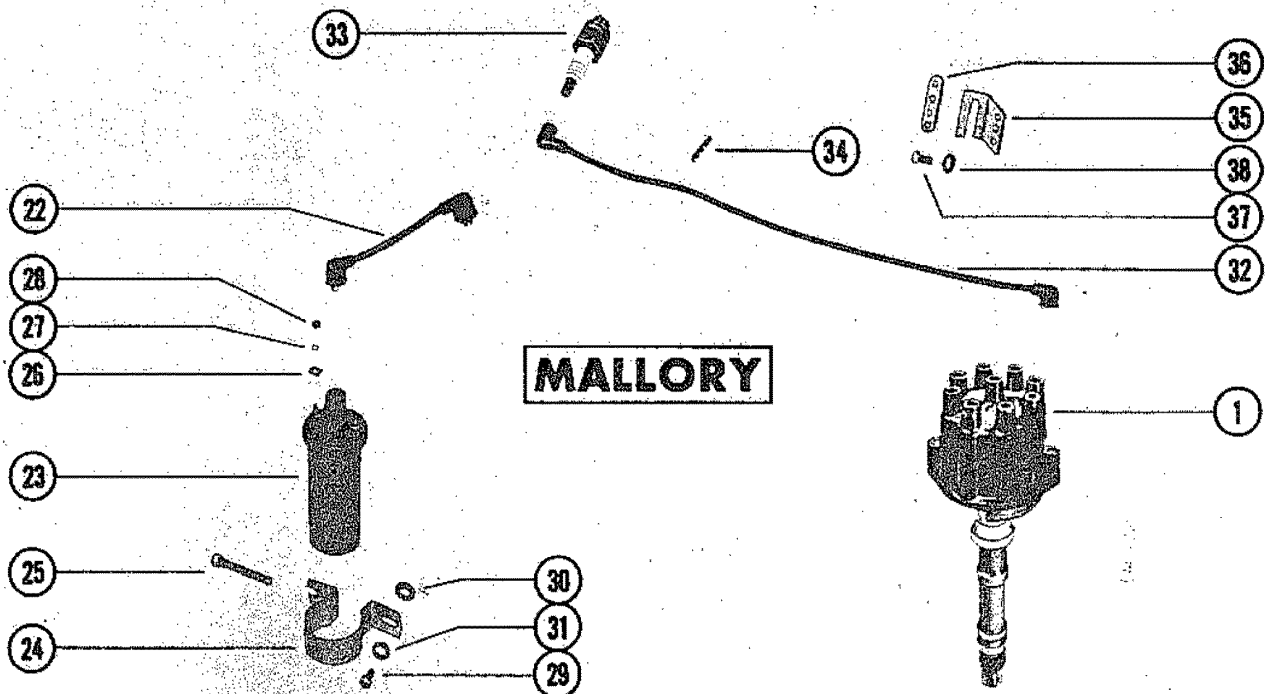
+ = INDICATES PARTS INCLUDED WITH B-[1397-3465] OFF ENGINE KIT.

CONTINUED ON NEXT PAGE ➡

DISTRIBUTOR ASSEMBLY (MALLORY)



SERIAL NO. 4499391 AND UP

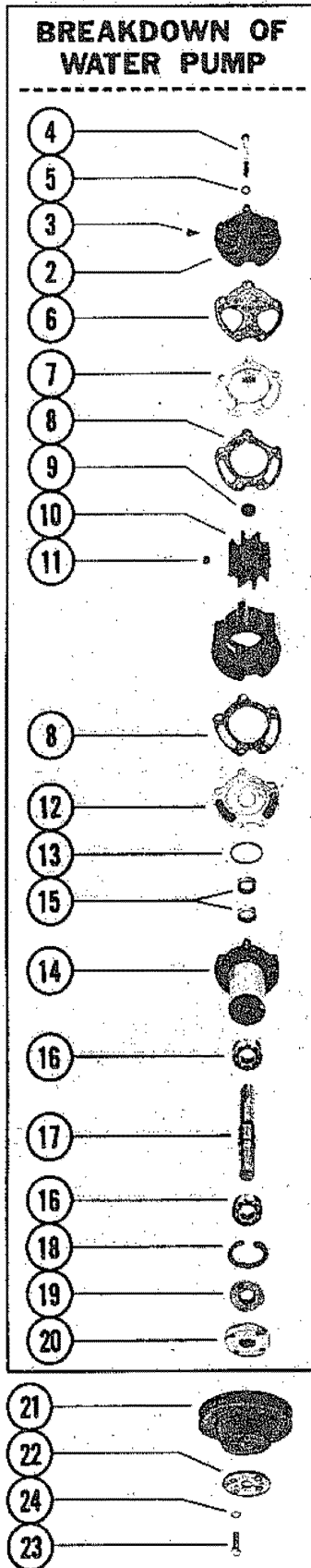


DISTRIBUTOR ASSEMBLY (MALLORY)

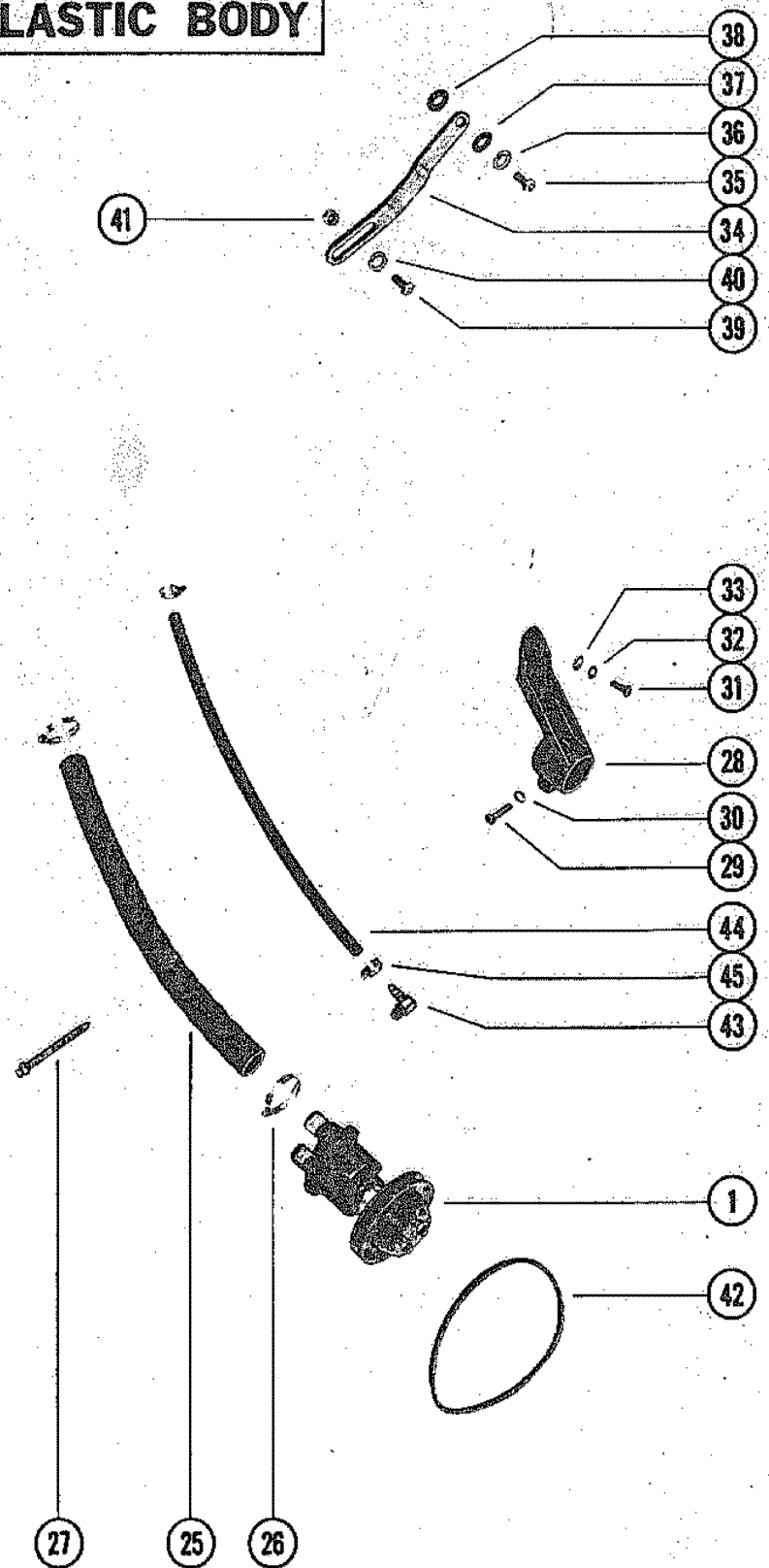
REF. NO.	PART NO.	SYM.	QTY.	DESCRIPTION
32	84-67957-10		2	LEAD ASSEMBLY, HIGH TENSION (29 1/2") - CYL. #6 AND #7
	84-67957--7		1	LEAD ASSEMBLY, HIGH TENSION (24") - CYL. #8
	84-67957-11		1	LEAD ASSEMBLY, HIGH TENSION (42") - CYL. #1
33	33-59571		8	SPARK PLUG (AC#MR43T)
34	54676		2	RETAINER, HIGH TENSION LEADS (2 WIRE)
	32783		2	RETAINER, HIGH TENSION LEADS (3 WIRE)
	32784		2	RETAINER, HIGH TENSION LEADS (4 WIRE)
35	47763		2	BRACKET, HIGH TENSION LEAD
36	25-38930		2	GROMMET, HIGH TENSION LEAD
37	10-27165		2	SCREW, LEAD BRACKET ATTACHING (3/8-16X3/4) (STARBOARD)
38	13-35048		1	LOCKWASHER, BRACKET ATTACHING SCREW (STARBOARD)
37	10-33212		1	SCREW, LEAD BRACKET ATTACHING (7/16-14X3/4) (PORT)
38	13-32993		1	LOCKWASHER, BRACKET ATTACHING SCREW (PORT)

SERIAL NO. 4499391 AND UP

WATER PUMP ASSEMBLY PLASTIC BODY



PLASTIC BODY

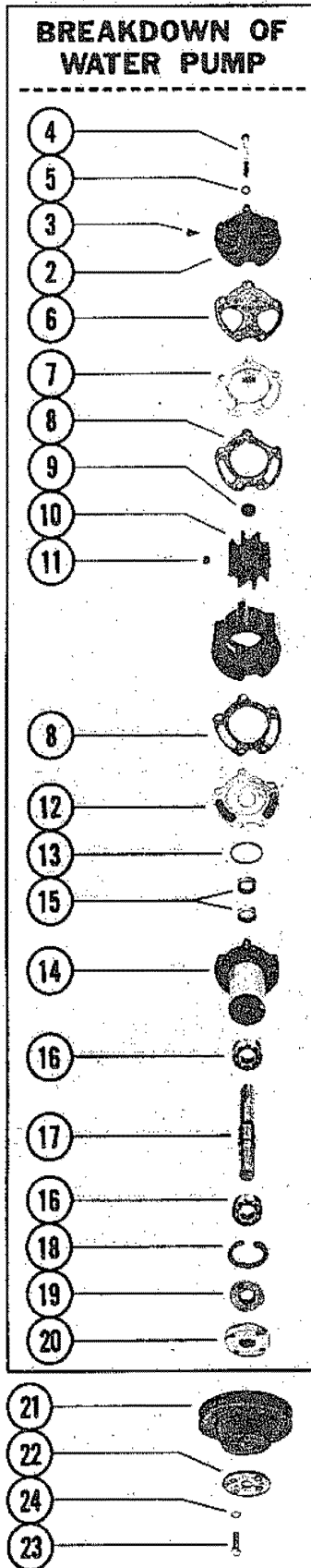


WATER PUMP ASSEMBLY PLASTIC BODY

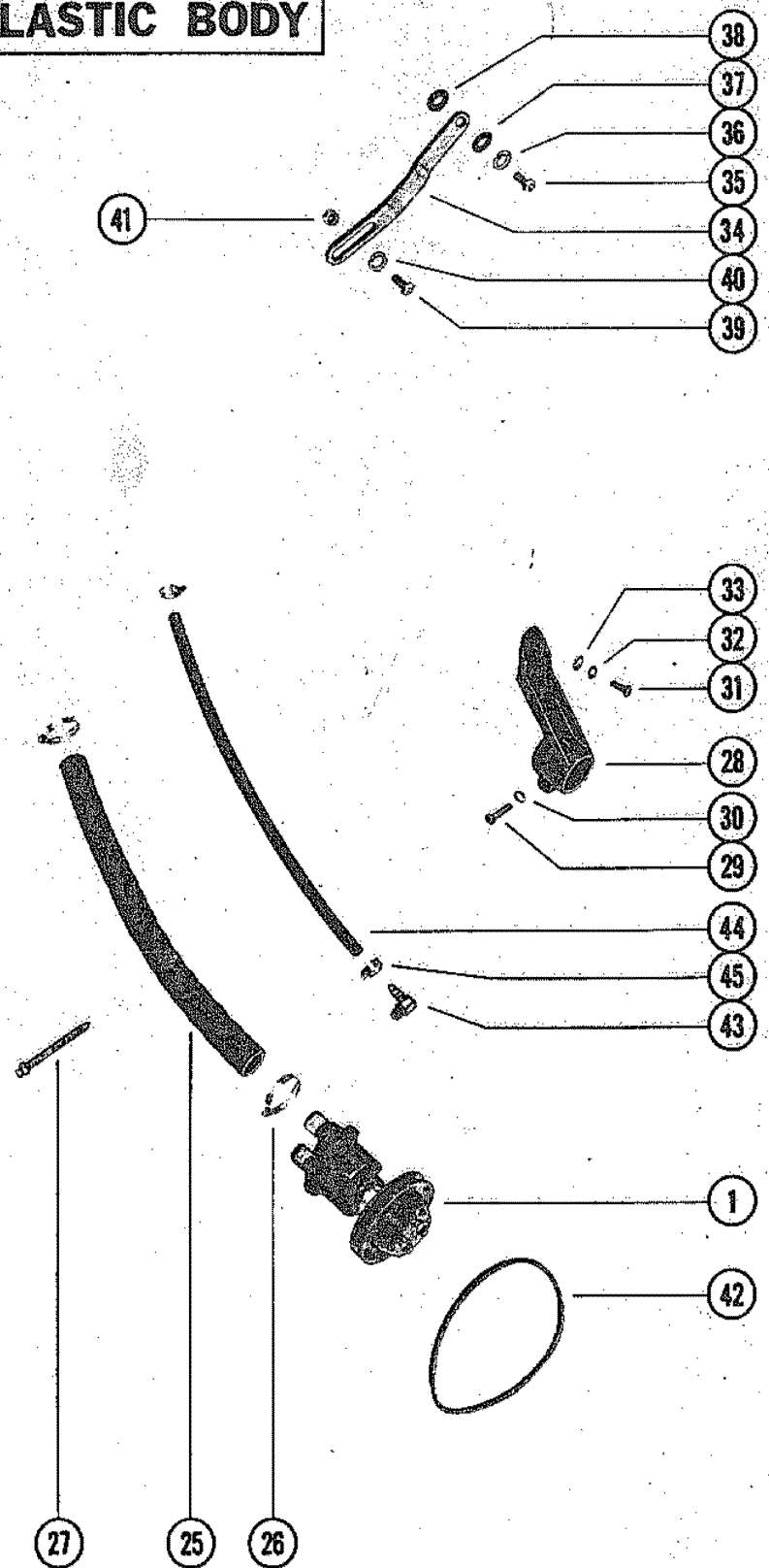
REF. NO.	PART NO.	SYM.	QTY.	DESCRIPTION
1	46-72774A1		1	WATER PUMP ASSEMBLY - PLASTIC BODY
2	72776		1	COVER, WATER PUMP
3	10-28642		4	SCREW, WATER PUMP SLEEVE (1/4")
4	10-63328		5	SCREW, COVER TO BODY (3")
5	12-20084		5	WASHER, COVER TO BODY SCREW
6	27-72779		1	GASKET, COVER TO OUTER WEAR PLATE
7	72777		1	WEAR PLATE
8	27-72780		2	GASKET, BODY TO WEAR PLATE
9	19-59504		1	PLUG, IMPELLER
10	47-59362A1		1	IMPELLER ASSEMBLY
11	28-56662		2	KEY, IMPELLER DRIVE
12	72778		1	WEAR PLATE
13	25-37340		1	"O" RING, PUMP HOUSING TO INNER WEAR PLATE
14	46-71497A2		2	PUMP HOUSING
15	26-23300		2	OIL SEAL, WATER PUMP SHAFT
16	30-72961		2	BALL BEARING, WATER PUMP SHAFT
17	59501		1	SHAFT, WATER PUMP
18	53-23720		1	RING, SNAP - BALL BEARING RETAINING
19	26-72785		1	OIL SEAL, WATER PUMP SHAFT
20	47530		1	HUB, WATER PUMP PULLEY
21	73798		1	PULLEY, WATER PUMP
22	52865		1	CLAMPING RING, PUMP PULLEY
23	10-47277		4	SCREW, PULLEY TO WATER PUMP (3/4")
24	13-39107		4	LOCKWASHER, WATER PUMP PULLEY SCREW
25	32-72837		1	HOSE, WATER PUMP TO OIL COOLER WITH POWER STEERING
	32-49044		1	HOSE, PUMP TO THERMOSTAT HOUSING WITHOUT POWER STEERING
26	54-32780		2	CLAMP, WATER PUMP HOSE
27	62711		1	STA-STRAP, HOSE ATTACHING
28	47488		1	BRACKET, WATER PUMP
29	10-34354		1	SCREW, WATER PUMP BRACKET CLAMPING (1 1/2")
30	13-35048		1	LOCKWASHER, WATER PUMP BRACKET SCREW
31	10-34353		2	SCREW, WATER PUMP BRACKET TO ENGINE (1")
32	13-35048		2	LOCKWASHER, WATER PUMP BRACKET SCREW
33	12-20553		1	WASHER, WATER PUMP BRACKET SCREW
34	76739		1	BRACE, WATER PUMP ADJUSTING WITH POWER STEERING
	71648		1	BRACE, WATER PUMP ADJUSTING WITHOUT POWER STEERING
35	10-34353		1	SCREW, BRACE TO STEERING PUMP (1") WITH POWER STEERING
	10-76926		1	SCREW, BRACE TO STEERING PUMP (7/8") WITHOUT POWER STEERING
36	13-35048		1	LOCKWASHER, ADJUSTING BRACE SCREW

CONTINUED ON NEXT PAGE ➡

WATER PUMP ASSEMBLY PLASTIC BODY



PLASTIC BODY



WATER PUMP ASSEMBLY PLASTIC BODY

REF. NO.	PART NO.	SYM.	QTY.	DESCRIPTION
37	12-34714		1	WASHER, ADJUSTING BRACE SCREW
38	23-72057		1	SPACER, ADJUSTING BRACE SCREW WITH POWER STEERING
39	10-35786		1	SCREW, ADJUSTING BRACE TO BRACKET SCREW (1")
40	13-37459		1	LOCKWASHER, ADJUSTING BRACE SCREW
41	11-24883		1	NUT, ADJUSTING BRACE SCREW
42	57-74271		1	BELT, WATER PUMP
43	22-62910		1	FITTING, WATER PUMP BODY
44	32-62987--2		1	HOSE, WATER PUMP TRANSMISSION COOLER (34 1/2")
45	54-32523		2	CLAMP, HOSE ATTACHING

PARTS INDEX

Part Number	Description	Pg.	Ref. No.	Part Number	Description	Pg.	Ref. No.
26059	CAP, RUBBER - BOOSTER CYLINDER	47	7	47530	HUB, WATER PUMP PULLEY	65	20
26079	PLATE, WIRING HARNESS TO MOUNTING BRACKET	9	2	47737A1	EXHAUST MANIFOLD ASSEMBLY, PORT	21	1
26433	COIL, IGNITION	11	18	47738A1	EXHAUST MANIFOLD ASSEMBLY, STARBOARD	21	1
26433	COIL, IGNITION - DELCO REMY -DELCO	61	23	47763	BRACKET, HIGH TENSION LEAD	63	35
29359	LUBRICAP, GREASE FITTING	57	109	47816	SIGHT GLASS	13	9
32193	COIL, IGNITION - PRESTOLITE	61	23	47833	FLAME ARRESTOR, CARBURETOR	15	16
32783	RETAINER, HIGH TENSION LEADS (3 WIRE)	11	29	47877A4	EXHAUST ELBOW ASSEMBLY	21	13
32783	RETAINER, HIGH TENSION LEADS (3 WIRE)	63	34	47957	CONNECTOR, VENT HOSE TO ROCKER COVER	15	21
32784	RETAINER, HIGH TENSION LEADS (4 WIRE)	11	29	48086A1	PULLEY ASSEMBLY, CRANKSHAFT	49	2
32784	RETAINER, HIGH TENSION LEADS (4 WIRE)	63	34	48104	BRACKET, ALTERNATOR MOUNTING	5	36
33863	PULLEY, HARMONIC BALANCE	43	17	48348	CAP, INLET VALVE	35	11
34106	BRACKET, IGNITION COIL MOUNTING	11	19	49076	VALVE, EXHAUST (.015 O.S.)	35	6
34106	BRACKET, IGNITION COIL MOUNTING -DELCO	61	24	49735	BRACKET, OIL COOLER MOUNT	49	21
34518	SHIELD, VALVE SPRING CAP	35	10	49748A1	BRACKET, OIL COOLER	49	20
34623	OIL PRESSURE SENDER ASSEMBLY	5	15	49770	OIL COOLER	49	17
34625	WATER TEMPERATURE SENDER ASSEMBLY	5	12	52185	CLAMP, DISTRIBUTOR TO INTAKE MANIFOLD	11	15
35323	VALVE, EXHAUST (STANDARD)	35	6	52185	CLAMP, DISTRIBUTOR TO INTAKE MANIFOLD	61	20
35328	ROTATOR ASS'Y, SPRING - EXHAUST	35	12	52217	CAP, REAR - CRANKSHAFT BEARING	37	16
35329	ARM, ROCKER VALVE	35	14	52349	PULLEY, WATER PUMP	43	13
35330	ROD, VALVE PUSH	35	5	52365	VALVE, INLET (STANDARD)	35	7
35331	BALL UNIT, ROCKER VALVE ARM	35	15	52549	CAP, OIL FILLER	35	2
35352	OIL PUMP ASSEMBLY	41	1	52731	OIL FILTER ASSEMBLY	45	34
35363	BRACE, STARTER MOTOR	5	10	52779	VALVE, POWER STEERING	47	10
35365	SUPPORT, SPARK PLUG LEAD WIRE	43	25	52865	CLAMPING RING, PUMP PULLEY	65	22
35373	PLATE, FUEL PUMP MOUNTING	13	4	53338	FILTER VALVE ASSEMBLY	45	32
35377	ROD, PUSH - FUEL PUMP	13	7	54646	BRACKET, MOUNTING - FUEL FILTER	13	13
35378	CHAIN, CAMSHAFT TIMING	39	38	54676	RETAINER, HIGH TENSION LEADS (2 WIRE)	11	29
36184	SHAFT, OIL PUMP TO DISTRIBUTOR	41	4	54676	RETAINER, HIGH TENSION LEADS (2 WIRE)	63	34
38333	CAP, FILLER - PUMP	47	2	54789	CAP, FRONT - CRANKSHAFT BEARING	37	18
38559	SWITCH, OIL PRESSURE	5	20	54870	END CAP, EXHAUST MANIFOLD (REAR)	21	10
47441	COVER, THERMOSTAT HOUSING	25	6	54951A2	REVERSE LOCK VALVE ASSEMBLY	59	1
47488	BRACKET, WATER PUMP	27	24	55110	ADAPTOR, CABLE GUIDE TUBE (DUAL)	47	18
47488	BRACKET, WATER PUMP	65	28	55481	BASE, FUEL FILTER	13	11
47498	BRACE, ALTERNATOR ADJUSTING	5	29	57286	BRACKET, MOUNTING - TRANSOM PLATE	47	24
47502	BRACKET, MOUNTING - THROTTLE CABLE	15	23	57611	BRACKET, PUMP MOUNTING	49	9
47530	HUB, WATER PUMP PULLEY	27	17	57969	CYLINDER, BOOSTER - POWER STEERING	47	6

PARTS INDEX

Part Number	Description	Pg.	Ref. No.	Part Number	Description	Pg.	Ref. No.
57971	TUBE, MOUNTING - BOOSTER ROD EXTENSION	47	33	62742	CAM FOLLOWER	53	63
58213	CAP, INTERMEDIATE - CRANKSHAFT BEARING .	37	17	62745A1	BRACKET ASSEMBLY, MOUNTING - SHIFT ACTUATOR	59	18
58265	CLAMPING RING, PUMP PULLEY	27	18A	62747	CAP, CONTROL VALVE	53	60
59137	THERMOSTAT	25	8	63037	DIPSTICK	51	4
59155	COVER, WATER PUMP	27	2	63038	COVER, SHIFT ACTUATOR .	59	8
59363A1	CAM SEGMENT ASSEMBLY, WATER PUMP	27	8	63126	FLANGE ASSEMBLY, OIL COOLER	51	25
59501	SHAFT, WATER PUMP	27	14	63151	RETAINER, SHUTTER TO EXHAUST ELBOW	25	16
59501	SHAFT, WATER PUMP	65	17	64090A1	TUBE ASSEMBLY, DIPSTICK	51	3
59503	WEAR PLATE	27	10	64414	GUIDE, CABLE GUIDE TUBE	47	16
59762	PULLEY, WATER PUMP (BRASS BODY ONLY)	27	18	64709	BRACKET, MOUNTING - HARNESS AND CIRCUIT BREAKER	9	4
59861A1	THERMOSTAT HOUSING ASSEMBLY	25	1	64884	TAB, WIRING HARNESS . . .	9	7
59861A4	THERMOSTAT HOUSING ASSEMBLY	25	1	65080A1	SHAFT ASSEMBLY, CONTROL VALVE	53	54
60252	END CAP/CONNECTOR, EXH. MAN.	21	7	65864	ROTOR	11	3
60252	END CAP/CONNECTOR, EXH. MAN. (FRONT)	21	7	65989	RETAINER, BALL BEARING .	55	104
60390A1	WATER DIST. HSG. ASS'Y, STARBOARD	21	18	66198	COVER, AUTOMATIC CHOKE	15	30
60391A1	WATER DIST. HSG. ASS'Y, PORT	21	18	66284	BRACKET, MOUNTING	31	4
60658	WATER PUMP ASSEMBLY .	43	10	66515A1	COVER ASSEMBLY, OIL COOLER	51	29
60661	POINTER, TIMING	45	31	66626	ADAPTOR, ROD END	47	36
60930	WATER SHUTTER, EXHAUST ELBOW	25	15	66981A2	PISTON, SERVO	53	50
61112	ROD, AUTOMATIC CHOKE .	15	32	67282A1	HOUSING ASSEMBLY, PISTON	55	89
62662A1	PUMP ASSEMBLY, GEROTOR	51	22	67993A2	SHAFT, OUTPUT	55	79
62665	RETAINER, SPRING	53	47	68521A3	DISTRIBUTOR ASSEMBLY .	11	1
62666	STRUT, CLUTCH BAND ANCHOR	55	69	69392	SHIFT ACTUATOR ASSEMBLY	59	7
62667	PISTON, CLUTCH	55	87	69392	SHIFT ACTUATOR ASSEMBLY, COMPLETE .	3	1
62686	RING, PRESSURE - CLUTCH SPRING	55	85	69729	ALTERNATOR ASSEMBLY .	5	23
62687	BAND, CLUTCH	55	67	70637	DRIVE PLATE, FLYWHEEL .	39	25
62691A1	CLUTCH PLATE KIT	55	83	70695	ELBOW, EXHAUST (STARBOARD)	25	12
62693	HUB, CLUTCH	55	82	70696	ELBOW, EXHAUST (PORT) .	25	12
62694A3	PLANETARY AND CLUTCH DRUM ASSEMBLY	55	73	70711A3	HOUSING ASSEMBLY, TRANSMISSION	51	1
62711	STA-STRAP, HOSE ATTACHING	27	23	70711A6	TRANSMISSION ASSEMBLY, COMPLETE	55	-
62711	STA-STRAP, HOSE ATTACHING	65	27	70938	BRACKET, MOUNTING - ENGINE	31	1
62718A2	PUMP ASSEMBLY	51	12	70981	BELLOWS, EXHAUST ELBOW	25	18
62722	PISTON, RELIEF VALVE . . .	51	15	71136	HUB, STEERING PUMP	49	6
62723	LINK, CLUTCH BAND	55	68	71137	PULLEY, STEERING PUMP .	49	5
62734	MOUNT, RUBBER - OUTPUT HOUSING (REAR)	55	103	71317A1	STEERING PUMP ASSEMBLY, POWER STEERING	47	1
62735	LEVER, REVERSE CLUTCH	53	40	71646	FUEL PUMP ASSEMBLY . . .	13	1
62736A1	SHAFT ASSEMBLY, INPUT .	55	76	71648	BRACE, WATER PUMP ADJUSTING	65	34
62739A2	HOUSING ASSEMBLY, OUTPUT	55	94	71648	BRACE, WATER PUMP ADJUSTING (WITHOUT POWER STEERING)	29	30

PARTS INDEX

Part Number	Description	Pg.	Ref. No.	Part Number	Description	Pg.	Ref. No.
71649	BRACE, WATER PUMP ADJUSTING (WITH POWER STEERING)	29	30	10-20639	SCREW, FUEL FILTER TO MOUNTING BRACKET (1 1/8")	13	14
71995	COVER, TRANSMISSION HOUSING	39	28	10-20705	SCREW, PULLEY TO WATER PUMP (BRASS BODY ONLY)	27	19
72540	GAUGE, OIL LEVEL (DIPSTICK)	41	18	10-21335	SCREW, CLAMP TO DISTRIBUTOR (7/8")	11	9
72625	CHOKE, AUTOMATIC - CARBURETOR	15	29	10-22485	SCREW, REVERSE LOCK VALVE TO CONTROL VALVE (3/4")	59	4
72638	LIFTER, HYDRAULIC VALVE - TAPPET	37	21	10-22958	SCREW, THROTTLE CABLE TO CARBURETOR (1 1/8")	15	10
72641	VALVE, INLET (.015 O.S.) . .	35	7	10-24233	SCREW, TERMINAL BLOCK AND COVER TO BRACKET (1 3/8")	59	13
72646	INTAKE MANIFOLD	43	1	10-25038	SCREW, END CAP TO EXHAUST MANIFOLD (7/8")	21	12
72647	GUARD, INTAKE MANIFOLD	43	8	10-25299	SCREW, IGNITION COIL ATTACHING (3/4")	11	24
72648	COVER ASSEMBLY, CRANKCASE FRONT END	43	27	10-25299	SCREW, IGNITION COIL ATTACHING (3/4")	61	29
72650	BALANCER, HARMONIC - CRANKSHAFT	43	16	10-25299	SCREW, MOUNTING BRACKET TO CONTROL VALVE (3/4")	59	25
72651	BAFFLE, OIL PAN (CYLINDER BLOCK)	41	6	10-26487	BOLT, INTAKE MANIFOLD TO CYLINDER BLOCK (1 1/8")	43	2
72655	COVER, ROCKER (PORT) . .	35	1	10-27165	SCREW, LEAD BRACKET ATTACHING (3/8-16X3/4) (STARBOARD)	63	37
72656	OIL PAN	41	8	10-27165	SCREW, OIL COOLER MOUNT BRACKET	49	22
72659	SCREEN ASSEMBLY, OIL PUMP	41	3	10-28063	SCREW, STARTER SOLENOID TO MOUNTING BRACKET (5/8")	9	9
72660	COVER, ROCKER (STARBOARD)	35	1	10-28635	SCREW, WATER PUMP COVER ATTACHING (5/8")	27	3
72776	COVER, WATER PUMP	65	2	10-28642	SCREW, WATER PUMP SLEEVE (1/4")	65	3
72777	WEAR PLATE	65	7	10-28701	SCREW, CARBURETOR MOUNTING (3 1/2")	15	6
72778	WEAR PLATE	65	12	10-30902	SCREW, SWITCH TO CONTROL VALVE CAP (3/4")	59	24
72938	GAUGE, OIL LEVEL (DIPSTICK)	41	18	10-31832	SCREW, MOUNTING BRACKET TO TRANSOM PLATE (1")	47	25
72950	TUBE, OIL LEVEL (LOWER)	41	16	10-31984	SCREW, PUMP TO TRANSMISSION HOUSING (1 3/8")	51	19
72964A1	EXHAUST ELBOW ASSEMBLY	21	13	10-32132	SCREW, TRANSMISSION HOUSING TO ENGINE (1 3/4")	51	7
73659	ELBOW, EXHAUST (STARBOARD)	25	12	10-32417	SCREW, LINK AND CAM TO CONTROL SHAFT (5/8") . .	53	57
73660	ELBOW, EXHAUST (PORT) .	25	12	10-33212	SCREW, LEAD BRACKET ATTACHING (7/16-14X3/4) (PORT)	63	37
73782	PLATE, EXHAUST ELBOW TO MAN.	21	18A				
73798	PULLEY, WATER PUMP . . .	65	21				
73798	PULLEY, WATER PUMP (BRASS BODY ONLY) . . .	27	18				
73873	PULLEY, STEERING PUMP .	49	5				
74905A3	DISTRIBUTOR ASSEMBLY, COMPLETE	61	1				
74906A1	PUMP ASSEMBLY, GEROTOR	51	22				
75040	PULLEY, CRANKSHAFT . . .	49	2				
75612	COVER ASSEMBLY, CRANKCASE FRONT END	43	27				
76187A1	SHAFT ASSEMBLY, INPUT .	55	76				
76668A1	EXHAUST ELBOW ASSEMBLY	21	13				
76739	BRACE, WATER PUMP ADJUSTING	65	34				
77294	BRACKET, IGNITION COIL MOUNTING -PRESTOLITE	61	24				
10-20031	SCREW, COVER ATTACHING (1/2")	39	29				

PARTS INDEX

Part Number	Description	Pg.	Ref. No.	Part Number	Description	Pg.	Ref. No.
10-33231	SCREW, COVER ATTACHING (1/2")	39	31	10-35317	BOLT, CYLINDER HEAD TO CYLINDER BLOCK (1 3/4")	35	20
10-33311	SCREW, BRACKET TO IGNITION COIL (1 1/2")	11	20	10-35318	BOLT, CYLINDER HEAD TO CYLINDER BLOCK (3")	35	21
10-33311	SCREW, COIL TO BRACKET (1 1/2") -DELCO	61	25	10-35366	SCREW, LEAD WIRE SUPPORT TO CYLINDER (1/2")	43	26
10-33389	SCREW, THERMOSTAT HOUSING ATTACHING (4 1/4")	25	10	10-35374	SCREW, FUEL PUMP TO MOUNTING PLATE (1 1/8")	13	3
10-33524	SCREW, PULLEY TO WATER PUMP (BRASS BODY ONLY)	27	19	10-35386	SCREW, CONTROL VALVE TO TRANSMISSION HOUSING (1")	53	51
10-34277	SCREW, CRANKCASE FRONT END COVER TO CYLINDER BLOCK (7/16")	43	30	10-35386	SCREW, END CAP TO EXH. MAN. (1")	21	9
10-34277	SCREW, FUEL PUMP MOUNTING PLATE	13	6	10-35386	SCREW, END CAP TO EXH. MAN. (1")	21	9
10-34277	SCREW, OIL PAN TO CYL. BLOCK (1/4 - 20 X 7/8)	41	14	10-35386	SCREW, PUMP TO TRANSMISSION HOUSING (1")	51	19
10-34290	SCREW, SHIFT ACTUATOR TO MOUNTING BRACKET (5/8")	59	21	10-35765	SCREW, BRACE TO ENGINE (5/8")	5	11
10-34352	BOLT, CRANKSHAFT PULLEY TO HARMONIC BALANCER (7/8")	43	21	10-35786	SCREW, ADJUSTING BRACE TO BRACKET SCREW (1")	29	35
10-34353	SCREW, ADJUSTING BRACE TO POWER STEERING PUMP (1")	29	31	10-35786	SCREW, ADJUSTING BRACE TO BRACKET SCREW (1")	67	39
10-34353	SCREW, BRACE TO STEERING PUMP (1")	65	35	10-35786	SCREW, PULLEY ATTACHING (1")	49	3
10-34353	SCREW, WATER PUMP BRACKET TO ENGINE (1")	27	27	10-36046	SCREW, BREAKER AND CONDENSER ATTACHING (1/4")	11	4
10-34353	SCREW, WATER PUMP BRACKET TO ENGINE (1")	65	31	10-36046	SCREW, HARNESS TO TERMINAL BLOCK (1/4")	59	17
10-34354	SCREW, LIFTING EYE ATTACHING (1 1/2")	43	5	10-36404	SCREW, FILTER VALVE TO CYLINDER BLOCK	45	33
10-34354	SCREW, STEERING PUMP TO BRACKET (1 3/4")	49	10	10-37510	BOLT, INTAKE MANIFOLD TO CYLINDER BLOCK (1 1/2")	43	2
10-34354	SCREW, TRANSMISSION HOUSING TO ENGINE (1 1/2")	51	7	10-37612	SCREW, ALTERNATOR BRACE TO CYLINDER BLOCK (1 1/4")	5	34
10-34354	SCREW, WATER PUMP BRACKET CLAMPING (1 1/2")	27	25	10-37612	SCREW, BRACKET TO CYLINDER BLOCK (1 1/4")	49	13
10-34354	SCREW, WATER PUMP BRACKET CLAMPING (1 1/2")	65	29	10-37612	SCREW, CLAMPING (1 1/4")	47	13
10-34370	SCREW, AIR HORN TO FLOAT BOWL (1")	17	7	10-37612	SCREW, MOUNTING BRACKET TO ENGINE (1 1/4") (PORT SIDE)	31	2
10-34505	BOLT, CAMSHAFT TIMING SPROCKET (3/4")	39	41	10-37612	SCREW, MOUNTING BRACKET TO ENGINE (1 1/4") (STARBOARD SIDE)	31	2
10-34544	SCREW, STARTER MOTOR TO CYLINDER BLOCK (1 5/16")	5	5	10-45487	SCREW, ROCKER VALVE COVER TO CYLINDER HEAD (1/2")	35	3
10-34545	SCREW, STARTER MOTOR TO CYLINDER BLOCK (4 21/32")	5	5	10-46718	SCREW, WIRING HARNESS PLATE TO MOUNTING BRACKET (3/4")	9	3
10-35091	SCREW, DRIVE PLATE TO FLYWHEEL	39	26	10-472220	SCREW, COVER ATTACHING (3/8")	3	15
				10-47277	SCREW, PULLEY TO WATER PUMP (3/4")	43	14

PARTS INDEX

Part Number	Description	Pg.	Ref. No.	Part Number	Description	Pg.	Ref. No.
10-47618	SCREW, CIRCUIT BREAKER TO BRACKET (1")	9	16	10-57968	SCREW, ADJUSTING - MOUNTING BRACKET (3")	47	27
10-47688	SCREW, WATER PUMP TO CYLINDER BLOCK (2 3/4")	43	12	10-58640	SCREW, EXHAUST ELBOW TO TRANSOM PLATE (1 1/4")	25	13
10-48137	SCREW, AIR HORN TO FLOAT BOWL (3/8")	17	6	10-59994	SCREW, AUTOMATIC CHOKE THERMOSTAT (5/8")	15	31
10-48138	SCREW, VACUUM CONTROL BRACKET TO FLOAT BOWL	17	32	10-60300	SCREW, COVER TO TRANSMISSION HOUSING (3/4")	53	34
10-48139	SCREW, CHOKE VALVE TO CHOKE SHAFT	17	21	10-60300	SCREW, PUMP ATTACHING (3/4")	51	23
10-48144	SCREW, IDLE STOP	19	43	10-60777	SCREW, CAM SEGMENT ATTACHING (1/2")	27	9
10-48145	SCREW, THROTTLE BODY TO FLOAT BOWL	19	55	10-62049	SCREW, PULLEY TO HUB (1")	49	7
10-48146	SCREW, LEVER AND CAM TO THROTTLE BODY	19	58	10-62679	SCREW, ADJUSTING - CLUTCH BAND	55	70
10-48308	SCREW, ALTERNATOR TO ALTERNATOR BRACKET (3 3/4")	7	39	10-63328	SCREW, COVER TO BODY (3")	65	4
10-48308	SCREW, PULLEY TO DAMPER (3 3/4")	49	3	10-65027	SCREW, CAP TO CONTROL VALVE (1")	53	61
10-48333	BOLT, OIL PUMP TO CYLINDER BLOCK (2")	41	2	10-66137	SCREW, FLANGE TO TRANSMISSION HOUSING (1/2")	51	26
10-48395	SCREW, AIR HORN TO FLOAT BOWL (3")	17	8	10-66652	SCREW, COIL TO BRACKET (1 1/2") -PRESTOLITE	61	25
10-48424	SCREW, BRACKET TO ENGINE (1 5/8")	49	25	10-69028	SCREW, STOP (3/4")	59	19
10-48424	SCREW, MOUNTING BRACKET TO ENGINE (1 5/8") (STARBOARD SIDE)	31	2	10-72626	BOLT, PULLEY AND HARMONIC BALANCER TO CRANKSHAFT (2")	43	18
10-48424	SCREW, WATER PUMP TO CYLINDER BLOCK (1 5/8")	43	12	10-72644	SCREW, OIL PAN TO CYL. BLOCK (5/16 - 18 X 7/8)	41	12
10-49106	BOLT, CRANKSHAFT BEARING CAP TO CYLINDER BLOCK (2 1/2")	37	19	10-72658	SCREW, OIL PAN DRAIN	41	10
10-49845	SCREW, FLYWHEEL TO CRANKSHAFT	39	24	10-74824	SCREW, ALTERNATOR BRACE TO ALTERNATOR (1 1/4")	5	30
10-52220	BOLT, CONNECTING ROD CAP	39	34	10-76926	SCREW, ALTERNATOR BRACKET TO EXHAUST MANIFOLD (7/8")	7	37
10-52498	SCREW, MOUNTING BRACKET ATTACHING (1 1/4")	9	5	10-76926	SCREW, BRACE TO STEERING PUMP (7/8")	65	35
10-53016	SCREW, END CAP AND FUEL FILTER BRACKET (1 1/4") - STBD.	21	9	11-20190	NUT, THROTTLE CABLE SCREW	15	15
10-53016	SCREW, OUTPUT HOUSING TO TRANSMISSION HOUSING (1 1/4")	55	101	11-20586	NUT, FLAME ARRESTOR STUD	15	18
10-53192	SCREW, CAM FOLLOWER TO CAP (1/2")	53	64	11-20586	NUT, THROTTLE CABLE STUD	15	28
10-53728	SCREW, EXHAUST MANIFOLD TO CYLINDER HEAD (4 5/8")	21	6	11-20645	NUT, CIRCUIT BREAKER TERMINAL	9	--
10-54528	SCREW, DISTRIBUTOR CLAMP ATTACHING (7/8")	11	16	11-20645	NUT, IGNITION COIL TERMINAL	11	23
10-54528	SCREW, DISTRIBUTOR TO CLAMP ATTACHING (7/8")	61	21	11-20645	NUT, OIL PRESSURE SENDER TERMINAL (#10)	5	17
10-54786	SCREW, FILTER VALVE TO CYLINDER BLOCK	45	33	11-20645	NUT, OIL PRESSURE SWITCH TERMINAL	5	22
				11-20645	NUT, TERMINAL BLOCK AND COVER SCREW	59	11

PARTS INDEX

Part Number	Description	Pg.	Ref. No.	Part Number	Description	Pg.	Ref. No.
11-20739	NUT, JAM - MOUNTING BRACKET	31	5	12-20084	WASHER, CARBURETOR MOUNTING STUD AND SCREW	15	8
11-20890	NUT, CRANK ARM	3	14	12-20084	WASHER, COVER TO BODY SCREW	65	5
11-20890	NUT, STARTER MOTOR STUD	5	4	12-20084	WASHER, FUEL FILTER SCREW	13	15
11-21612	NUT, JAM - ADJUSTING SCREW	55	72	12-20084	WASHER, IGNITION COIL ATTACHING SCREW	11	25
11-21612	NUT, JAM - OIL COOLER	53	32	12-20084	WASHER, IGNITION COIL ATTACHING SCREW	61	30
11-23161	NUT, ALTERNATOR BRACKET SCREW	7	42	12-20128	WASHER, THROTTLE CABLE SCREW	15	14
11-24652	NUT, RETAINER STUD	57	107	12-20553	WASHER, ALTERNATOR BRACKET SCREW	7	41
11-24656	NUT, TERMINAL BLOCK AND COVER SCREW	59	16	12-20553	WASHER, WATER PUMP BRACKET SCREW	29	29
11-24883	NUT, ADJUSTING BRACE SCREW	29	37	12-20553	WASHER, WATER PUMP BRACKET SCREW	65	33
11-24883	NUT, ADJUSTING BRACE SCREW	67	41	12-20583	WASHER, REVERSE LOCK VALVE	59	5
11-24883	NUT, ADJUSTING SCREW	47	29	12-20878	WASHER, OIL PRESSURE SWITCH TERMINAL	5	21
11-26419	NUT, STARTER TERMINAL (#8)	5	9	12-20959	WASHER, VALVE ADAPTOR STUD	47	30
11-28040	NUT, VALVE ADAPTOR STUD	47	31	12-21631	WASHER, THROTTLE CABLE STUD	15	26
11-28941	NUT, JAM - FLAME ARRESTOR	15	3	12-22887	WASHER, TERMINAL BLOCK AND COVER SCREW	59	9
11-32219	NUT, STARTER TERMINAL (3/8")	5	7	12-22937	WASHER, FLAME ARRESTOR STUD	15	17
11-32882	NUT, MOUNTING TUBE	47	32	12-26168	WASHER, ALTERNATOR BRACE SCREW	5	32
11-34516	NUT, ROCKER VALVE ARM STUD	35	16	12-30164	WASHER, CIRCUIT BREAKER SCREW	9	20
11-35814	NUT, FUEL FILTER SCREW	13	16	12-30164	WASHER, GROUND CABLE SCREW	5	26
11-37493	NUT, CONNECTING ROD CAP BOLT	39	35	12-30164	WASHER, IGNITION COIL TERMINAL	11	21
11-37500	NUT, BAFFLE TO CYLINDER BLOCK STUD	41	7	12-30164	WASHER, IGNITION COIL TERMINAL	61	26
11-37984	NUT, CABLE GUIDE TUBE	47	23	12-34714	WASHER, ADJUSTING BRACE SCREW	29	33
11-46438	NUT, CIRCUIT BREAKER SCREW	9	21	12-34714	WASHER, ADJUSTING BRACE SCREW	67	37
11-46793	NUT, CARBURETOR MOUNTING STUD	15	9	12-35332	WASHER, PULLEY AND HARMONIC BALANCER BOLT	43	20
11-46887	NUT, REVERSE LOCK VALVE SCREW	59	6	12-37985	WASHER, CABLE GUIDE TUBE	47	22
11-46887	NUT, STOP SCREW	59	20	12-38622	WASHER, BRACKET SCREW (FOR SLOT)	49	15
11-49838	NUT, EXHAUST ELBOW TO EXHAUST MANIFOLD STUD	21	22	12-39167	WASHER, CAMSHAFT TIMING SPROCKET BOLT	39	42
11-52412	NUT, MOUNT BRACKET SCREW	49	23	12-47960	WASHER, CIRCUIT BREAKER SCREW	9	18
11-52412	NUT, STEERING PUMP STUD	49	16	12-49112	WASHER, INTAKE MANIFOLD BOLT	43	3
11-55111	NUT, DUAL ADAPTOR TO POWER STEERING VALVE	47	20	12-62684	WASHER, THRUST - OUTPUT HOUSING	57	105
11-55983	NUT, JAM - MOUNTING TUBE	47	34				
11-68219	NUT, IGNITION COIL TERMINAL	61	28				
11-68219	NUT, STARTER SOLENOID TERMINAL (10-32)	9	12				
11-68292	NUT, STARTER SOLENOID TERMINAL (5/16")	9	14				

PARTS INDEX

Part Number	Description	Pg.	Ref. No.	Part Number	Description	Pg.	Ref. No.
12-62781	WASHER, SEALING - ADJUSTING SCREW	55	71	13-31848	LOCKWASHER, MOUNTING BRACKET SCREW	47	26
12-71836	WASHER, CONTROL VALVE SHAFT	53	59	13-32993	LOCKWASHER, BRACKET ATTACHING SCREW (PORT)	63	38
13-20897	LOCKWASHER, DUAL ADAPTOR NUT	47	19	13-32993	LOCKWASHER, MOUNTING BRACKET SCREW	9	6
13-26991	LOCKWASHER, ALTERNATOR TERMINAL	5	27	13-32993	LOCKWASHER, STARTER MOTOR SCREW	5	6
13-26992	LOCKWASHER, CAM SCREW	53	62	13-35048	LOCKWASHER, ADJUSTING BRACE SCREW	29	32
13-26992	LOCKWASHER, COVER SCREW	39	30	13-35048	LOCKWASHER, ADJUSTING BRACE SCREW	65	36
13-26992	LOCKWASHER, COVER SCREW	53	35	13-35048	LOCKWASHER, ALTERNATOR BRACE SCREW	5	35
13-26992	LOCKWASHER, FLANGE SCREW	51	27	13-35048	LOCKWASHER, ALTERNATOR BRACKET SCREW	7	38
13-26992	LOCKWASHER, LINK AND CAM SCREW	53	58	13-35048	LOCKWASHER, BRACKET ATTACHING SCREW (STARBOARD)	63	38
13-26992	LOCKWASHER, PUMP SCREW	51	24	13-35048	LOCKWASHER, BRACKET SCREW	49	14
13-26992	LOCKWASHER, SHIFT ACTUATOR SCREW	59	22	13-35048	LOCKWASHER, BRACKET SCREW	49	26
13-26992	LOCKWASHER, STARTER MOTOR STUD	5	3	13-35048	LOCKWASHER, CRANKSHAFT PULLEY BOLT	43	22
13-26992	WASHER, STARTER SOLENOID SCREW	9	10	13-35048	LOCKWASHER, DRIVE PLATE SCREW	39	27
13-26993	LOCKWASHER, IGNITION COIL ATTACHING SCREW	11	26	13-35048	LOCKWASHER, EXHAUST ELBOW SCREW	25	14
13-26993	LOCKWASHER, IGNITION COIL ATTACHING SCREW	61	31	13-35048	LOCKWASHER, LIFING EYE SCREW	43	6
13-26993	LOCKWASHER, SATARTER SOLENOID TERMINAL (5/16")	9	13	13-35048	LOCKWASHER, MOUNTING BRACKET SCREW (PORT SIDE)	31	3
13-26995	LOCKWASHER, STARTER TERMINAL (#8)	5	8	13-35048	LOCKWASHER, MOUNTING BRACKET SCREW (STARBOARD SIDE)	31	3
13-26996	LOCKWASHER, CIRCUIT BREAKER TERMINAL . . .	9	--	13-35048	LOCKWASHER, MOUNTING BRACKET SCREW (STARBOARD SIDE)	31	3
13-26996	LOCKWASHER, DISTRIBUTOR CLAMP SCREW	11	10	13-35048	LOCKWASHER, PULLEY SCREW	49	4
13-26996	LOCKWASHER, GROUND CABLE SCREW	5	25	13-35048	LOCKWASHER, PULLEY SCREW	49	4
13-26996	LOCKWASHER, IGNITION COIL TERMINAL	11	22	13-35048	LOCKWASHER, STEERING PUMP SCREW	49	11
13-26996	LOCKWASHER, IGNITION COIL TERMINAL	61	27	13-35048	LOCKWASHER, TRANSMISSION HOUSING SCREW	51	8
13-26996	LOCKWASHER, OIL PRESSURE SENDER TERMINAL (#10)	5	16	13-35048	LOCKWASHER, WATER PUMP BRACKET SCREW	27	26
13-26996	LOCKWASHER, STARTER SOLENOID TERMINAL (#10)	9	11	13-35048	LOCKWASHER, WATER PUMP BRACKET SCREW	29	28
13-26996	LOCKWASHER, TERMINAL BLOCK AND COVER SCREW	59	10	13-35048	LOCKWASHER, WATER PUMP BRACKET SCREW	65	30
13-26996	LOCKWASHER, TERMINAL BLOCK AND COVER SCREW	59	14				

PARTS INDEX

Part Number	Description	Pg.	Ref. No.	Part Number	Description	Pg.	Ref. No.
13-37459	LOCKWASHER, ADJUSTING BRACE SCREW	29	36	16-54790	STUD, OIL PAN BAFFLE ATTACHING	37	20
13-37459	LOCKWASHER, ADJUSTING BRACE SCREW	67	40	16-55109	STUD, ADAPTOR - POWER STEERING VALVE	47	12
13-37459	LOCKWASHER, ADJUSTING SCREW	47	28	16-66203	STUD, GUARD TO INTAKE MANIFOLD	43	7
13-37459	LOCKWASHER, CLAMPING SCREW	47	14	17-24800	ROLL PIN, CONTROL SHAFT	53	55
13-37459	LOCKWASHER, EXHAUST ELBOW TO EXHAUST MANIFOLD STUD	21	21	17-24813	PIN, DOWEL - CAMSHAFT TIMING SPROCKET (1/4" DIA.)	39	43
13-37459	LOCKWASHER, THERMOSTAT HOUSING SCREW	25	11	17-24813	PIN, DOWEL - REAR CRANKSHAFT BEARING CAP (1/4" DIA.)	37	14
13-39107	LOCKWASHER, ALTERNATOR BRACE SCREW	5	31	17-35312	PIN, DOWEL - CRANKCASE FRONT END COVER (1/4" DIA.)	37	--
13-39107	LOCKWASHER, CONTROL VALVE BRACKET SCREW	59	26	17-35465	PIN, DOWER - CYLINDER BLOCK TO CYLINDER HEAD (5/16" DIA.)	37	5
13-39107	LOCKWASHER, CONTROL VALVE SCREW	53	52	17-47617	PIN, DRIVE GEAR	11	12
13-39107	LOCKWASHER, COVER SCREW	39	32	17-48140	PIN, HINGE - FLOAT	17	23
13-39107	LOCKWASHER, OUTPUT HOUSING SCREW	55	102	17-52798	PIN, CLEVIS - STEERING CABLE AND CLEVIS ATTACHING	47	37
13-39107	LOCKWASHER, PULLEY SCREW	49	8	17-62730	PIN, LEVER TO CONTROL VALVE	53	41
13-39107	LOCKWASHER, WATER PUMP PULLEY SCREW	27	20	18-46950	COTTER PIN, CLEVIS PIN RETAINING	47	38
13-39107	LOCKWASHER, WATER PUMP PULLEY SCREW	43	15	19-34270	PLUG, EXPANSION - CYLINDER BLOCK (1 5/8" DIA.)	37	4
13-39107	LOCKWASHER, WATER PUMP PULLEY SCREW	65	24	19-35308	PLUG, EXPANSION - CYLINDER BLOCK (1 1/4")	37	2
13-39107	WASHER, OIL PAN SCREW	41	13	19-45670	PLUG, EXPANSION - CYLINDER BLOCK (1/2" DIA.)	37	-
13-39131	LOCKWASHER, FLYWHEEL SCREW	39	23	19-59504	PLUG, IMPELLER	27	5
13-39131	LOCKWASHER, PULLEY AND HARMONIC BALANCER BOLT	43	19	19-59504	PLUG, IMPELLER	65	9
13-68102	LOCKWASHER, MOUNTING BRACKET	31	6	19-62753	PLUG, PUMP	51	18
16-32027	STUD, RETAINER TO OUTPUT HOUSING	55	97	22-20025	PLUG, PIPE - FUEL FILTER (SLOTTED)	13	12
16-33213	STUD, FLAME ARRESTOR MOUNTING - CARBURETOR	15	2	22-20025	PLUG, PUMP	51	14
16-34521	STUD, ROCKER VALVE ARM (.013 O.S.)	35	18	22-31345	FITTING, GREASE - RETAINER	57	108
16-34522	STUD, ROCKER VALVE ARM (.003 O.S.)	35	18	22-32802	PLUG, PIPE - EXHAUST ELBOW	21	14
16-35897	STUD, THROTTLE CABLE TO MOUNTING BRACKET (1 11/16")	15	25	22-32802	PLUG, PIPE - EXHAUST MANIFOLD	21	4
16-46857	STUD, CARBURETOR MOUNTING (1 7/8")	15	7	22-32802	PLUG, PIPE - WATER DIST. HSG.	21	20
16-49545	STUD, EXHAUST MANIFOLD TO ELBOW (1 3/4")	21	2	22-32876	NIPPLE, SIGHT GLASS TO FUEL PUMP	13	8
16-52387	STUD, STARTER MOTOR	5	2	22-33198	PLUG, EXHAUST ELBOW	21	16
16-52988	STUD, EXHAUST MANIFOLD TO ELBOW (3 1/4")	21	2	22-33198	PLUG, THERMOSTAT HOUSING	25	3A
				22-33821	ELBOW, FUEL LINE TO FUEL PUMP AND FUEL FILTER	13	17
				22-36373	PLUG, PIPE - COVER	51	31

PARTS INDEX

Part Number	Description	Pg.	Ref. No.	Part Number	Description	Pg.	Ref. No.
22-36382	PLUG, PIPE - FUEL FILTER .	13	12	23-47511	SLEEVE, THERMOSTAT HOUSING	25	2
22-37760	ELBOW, OIL COOLER	49	24	23-47511	SLEEVE, WATER PUMP COVER	27	11
22-38992	NIPPLE, OIL PRESSURE SENDER	5	19	23-47797	BUSHING, REVERSE CLUTCH LEVER	53	39
22-39072	PLUG, CONTROL VALVE . . .	53	38	23-52020	SLEEVE, WATER DIST. HSG.	21	19
22-39072	PLUG, PIPE - OUTPUT SHAFT	55	78	23-52205	BEARING UNIT, CRANKSHAFT MAIN (STANDARD)	37	12
22-45084	FITTING, EXHAUST ELBOW	23	23	23-52206	BEARING UNIT, CRANKSHAFT MAIN (.001 U.S.)	37	12
22-46932	ELBOW, OIL PRESSURE SENDER	5	18	23-52207	BEARING UNIT, CRANKSHAFT MAIN (.002 U.S.)	37	12
22-47540	PLUG, THERMOSTAT HOUSING	25	3	23-52209	BEARING UNIT, CRANKSHAFT MAIN (.010 U.S.)	37	12
22-47902	VENT, TRANSMISSION HOUSING	51	2A	23-52210	BEARING UNIT, CRANKSHAFT MAIN (.020 U.S.)	37	12
22-48118	PLUG, EXHAUST ELBOW . .	21	16	23-52211	BEARING UNIT, CRANKSHAFT MAIN - REAR (STANDARD)	37	13
22-48118	PLUG, EXHAUST MANIFOLD	21	3	23-52212	BEARING UNIT, CRANKSHAFT MAIN - REAR (.001 U.S.)	37	13
22-48166	FITTING, STRAIGHT - REVERSE LOCK VALVE .	59	2	23-52213	BEARING UNIT, CRANKSHAFT MAIN - REAR (.002 U.S.)	37	13
22-48340	PLUG, PIPE - CYLINDER BLOCK (1/4" DIA.)	37	-	23-52215	BEARING UNIT, CRANKSHAFT MAIN - REAR (.010 U.S.)	37	13
22-48358	PLUG, INTAKE MANIFOLD VACUUM HOLE	15	5	23-52216	BEARING UNIT, CRANKSHAFT MAIN - REAR (.020 U.S.)	37	13
22-52666	ELBOW, REVERSE LOCK VALVE	59	3	23-52221	BEARING SET (4 PAIR), CONNECTING ROD (STANDARD)	39	36
22-62910	ELBOW, EXHAUST ELBOW (STARBOARD)	23	23	23-52222	BEARING UNIT (PAIR), CONNECTING ROD (.001 U.S.)	39	36
22-62910	FITTING, WATER PUMP BODY	29	39	23-52223	BEARING UNIT (PAIR), CONNECTING ROD (.002 U.S.)	39	36
22-62910	FITTING, WATER PUMP BODY	67	43	23-52224	BEARING UNIT (PAIR), CONNECTING ROD (.010 U.S.)	39	36
22-64426	DRAIN COCK, CYLINDER BLOCK	37	3	23-52225	BEARING UNIT (PAIR), CONNECTING ROD (.020 U.S.)	39	36
22-67305	FITTING, GREASE - POWER VALVE	47	11	23-60652	SLEEVE, ADJUSTING - CABLE GUIDE TUBE	47	15
22-72640	PLUG, EXPANSION - CAMSHAFT BEARING HOLE	37	6	23-60773	SLEEVE, CABLE GUIDE TUBE	47	17
23-31866	SPACER, THROTTLE CABLE STUD	15	27	23-61526	SPACER, TERMINAL BLOCK AND COVER SCREW	59	15
23-32818	BUSHING, THROTTLE CABLE SCREW	15	11	23-61998	SPACER, CIRCUIT BREAKER GROMMET	9	19
23-33186	BUSHING, ALTERNATOR BRACKET SCREW	7	40				
23-34984	BEARING UNIT, CAMSHAFT (FRONT)	37	7				
23-34985	BEARING UNIT, CAMSHAFT (FRONT INTERMEDIATE AND REAR)	37	8				
23-34986	BEARING UNIT, CAMSHAFT (CENTER AND REAR INTERMEDIATE)	37	9				
23-35040	SLEEVE, CARBURETOR LEVER	15	13				
23-36183	RETAINER, OIL PUMP SHAFT	41	5				
23-36365	SPACER, BRACKET SCREW	49	27				
23-36534	SPACER, ALTERNATOR BRACE SCREW	5	33				
23-36534	SPACER, STEERING PUMP SCREW	49	12				

PARTS INDEX

Part Number	Description	Pg.	Ref. No.	Part Number	Description	Pg.	Ref. No.
23-71647	BUSHING, PILOT - CRANKSHAFT	39	46	27-48042	GASKET, EXHAUST ELBOW TO EXHAUST MANIFOLD	21	17
23-72057	SPACER, ADJUSTING BRACE SCREW	29	34	27-48043	GASKET, END CAP TO EXHAUST MANIFOLD . . .	21	11
23-72057	SPACER, ADJUSTING BRACE SCREW	67	38	27-48043	GASKET, END CAP/CONNECTOR TO EXHAUST MANIFOLD . . .	21	8
24-32817	SPRING, THROTTLE RETURN	15	24	27-48330	GASKET, CYLINDER HEAD .	35	19
24-33050	SPRING, IDLE NEEDLE	19	54	27-48818	GASKET, THERMOSTAT HOUSING (UPPER)	25	7
24-34373	SPRING, IDLE STOP SCREW	19	44	27-49955	GASKET, OIL PAN DRAIN SCREW	41	11
24-48141	SPRING, POWER PISTON . .	19	40	27-52184	GASKET, DISTRIBUTOR . . .	11	14
24-48142	SPRING, METERING ROD - PRIMARY	17	36	27-52184	GASKET, DISTRIBUTOR . . .	61	19
24-48143	SPRING, FILTER NUT	19	45	27-52202	GASKET, ROCKER VALVE COVER	35	4
24-48347	SPRING, VALVE (INLET) . . .	35	9	27-52236	GASKET SET, OIL PAN	41	9
24-62677	SPRING, SERVO PISTON . .	53	48	27-52457	GASKET, CARBURETOR . . .	15	4
24-62790	SPRING, RELIEF VALVE PISTON	51	16	27-53045	GASKET, THERMOSTAT HOUSING TO MANIFOLD (LOWER)	25	9
24-72642	SPRING, VALVE (EXHAUST)	35	9	27-62724	GASKET, OIL COOLER COVER	51	30
25-35029	"O" RING, EXHAUST ELBOW TO TRANSOM PLATE . . .	25	17	27-72627	GASKET SET, OIL PAN	41	9
25-35039	GROMMET, CARBURETOR LEVER	15	12	27-72637	GASKET SET, INTAKE MANIFOLD	43	9
25-37340	"O" RING, PUMP HOUSING TO INNER WEAR PLATE .	65	13	27-72779	GASKET, COVER TO OUTER WEAR PLATE	65	6
25-38930	GROMMET, HIGH TENSION LEAD	63	36	27-72780	GASKET, BODY TO WEAR PLATE	65	8
25-52188	GROMMET, ROCKER COVER TO VENT HOSE CONNECTOR	15	22	27-75611	GASKET, CYLINDER HEAD .	35	19
25-59712	"O" RING, WATER PUMP COVER	27	4	28-34466	KEY, CRANKSHAFT PULLEY AND BALANCER	39	45
25-61999	GROMMET, CIRCUIT BRAKER SCREW	9	17	28-54797	KEY, VALVE STEM	35	13
26-23300	OIL SEAL, WATER PUMP SHAFT	27	12	28-56662	KEY, IMPELLER DRIVE	27	7
26-23300	OIL SEAL, WATER PUMP SHAFT	65	15	28-56662	KEY, IMPELLER DRIVE	65	11
26-34217	SEAL, VALVE	35	8	30-20861	BEARING, PUMP SHAFT (BRASS BODY ONLY) . . .	27	13
26-58203	OIL SEAL, REAR CRANKSHAFT BEARING CAP	37	15	30-62697	BALL BEARING, PISTON HOUSING	55	90
26-59342	OIL SEAL, CRANKCASE FRONT END COVER	43	28	30-62698	BALL BEARING, OUTPUT SHAFT	55	93
26-59564	OIL SEAL, PUMP SHAFT (BRASS BODY ONLY) . . .	27	16	30-62699	BALL BEARING, PLANETARY AND CLUTCH DRUM	55	74
26-72785	OIL SEAL, PUMP SHAFT (BRASS BODY ONLY) . . .	27	16	30-62780	BALL BEARING, OUTPUT HOUSING	55	98
26-72785	OIL SEAL, WATER PUMP SHAFT	65	19	30-72961	BALL BEARING, WATER PUMP SHAFT	65	16
27-33395	GASKET, EXHAUST MANIFOLD TO CYLINDER HEAD	21	5	30-72961	BEARING, PUMP SHAFT (BRASS BODY ONLY) . . .	27	13
27-34213	GASKET, FUEL PUMP TO CYLINDER BLOCK	13	2	31-66723	BEARING, THRUST - INPUT SHAFT	55	75
27-34895	GASKET, CRANKCASE FRONT END COVER	43	29	32-33189	HOSE, THERMOSTAT HOUSING TO WATER PUMP	25	4
27-34897	GASKET, WATER PUMP MOUNTING	43	11	32-35351	TUBE, OIL LEVEL (LOWER)	41	16
				32-48132	HOSE, THERMOSTAT HOUSING TO EXHAUST MANIFOLD (FRONT)	33	4

PARTS INDEX

Part Number	Description	Pg.	Ref. No.	Part Number	Description	Pg.	Ref. No.
32-49044	HOSE, PUMP TO THERMOSTAT HOUSING (WITHOUT POWER STEERING)	27	21	35-60047A1	SCREEN, FLAME ARRESTOR	11	13
32-52071	HOSE, VENT - CARBURETOR (10")	15	19	35-60494	FUEL FILTER	13	10
32-55112	TUBE, CABLE GUIDE	47	21	37-68671	DECAL, DISTRIBUTOR CAP	11	-
32-55116	HOSE, PRESSURE - POWER STEERING (72")	47	5	37-71888	DECAL, ROCKER COVER (280 H.P.)	35	-
32-57633	TUBE, EXTENDING - POWER STEERING	47	8	37-72766	DECAL, CIRCULAR	35	-
32-57634	TUBE, RETRACTING - POWER STEERING	47	9	37-77252	DECAL, CIRCULAR - WITH WAVES	35	-
32-58616A1	TUBE, WATER SEPARATION - EXHAUST ELBOW	21	15	39-65153	RING, PISTON - 8 SETS (STANDARD)	37	11
32-59876	HOSE, HSG. TO EXH. MAN. (REAR)	33	3	39-67126	RING, PISTON - 8 SETS (.030 O.S.)	37	11
32-60057	HOSE, COVER TO DIST. HSG. (PORT)	33	2	43-35338	SPROCKET, CAMSHAFT TIMING (44 TEETH)	39	39
32-60058	HOSE, COVER TO DIST. HSG. (STBD.)	33	1	43-47619	GEAR, DRIVE	11	11
32-62987--2	HOSE, STARBOARD ELBOW TO TRANS. COOLER (21 1/2")	23	24	43-48338	SPROCKET, CRANKSHAFT TIMING (22 TEETH)	39	40
32-62987--2	HOSE, WATER PUMP TRANSMISSION COOLER (34 1/2")	29	40	46-63450A2	WATER PUMP ASSEMBLY (BRASS BODY ONLY)	27	1
32-62987--2	HOSE, WATER PUMP TRANSMISSION COOLER (34 1/2")	67	44	46-71497A2	PUMP HOUSING	65	14
32-65231	HOSE, RETURN - POWER STEERING (31")	47	3	46-72774A1	WATER PUMP ASSEMBLY - PLASTIC BODY	65	1
32-65929	HOSE, RETURN - POWER STEERING (46")	47	3	46-73823A7	WATER PUMP ASSEMBLY (BRASS BODY ONLY)	27	1
32-71325	FUEL LINE, FUEL FILTER TO FUEL PUMP (STEEL TUBING)	13	18	47-59362A1	IMPELLER ASSEMBLY	27	6
32-71326	FUEL LINE, FUEL PUMP TO CARBURETOR (STEEL TUBING)	13	19	47-59362A1	IMPELLER ASSEMBLY	65	10
32-71613	HOSE, THERMOSTAT HOUSING TO OIL COOLER (WITH POWER STEERING)	33	5	50-69864A1	STARTER MOTOR ASSEMBLY	5	1
32-72539	TUBE, OIL LEVEL GAUGE (UPPER)	41	17	53-23720	RING, SNAP - BALL BEARING RETAINING	27	15
32-72837	HOSE, WATER PUMP TO OIL COOLER	65	25	53-23720	RING, SNAP - BALL BEARING RETAINING	65	18
32-72837	HOSE, WATER PUMP TO OIL COOLER (WITH POWER STEERING)	27	21	54-31765	CLAMP, BELLOWS TO EXHAUST ELBOW (LOWER)	25	19
32-73794	HOSE, HSG. TO EXH. MAN. (STBD.)	33	3	54-32523	CLAMP, HOSE ATTACHING	29	41
32-73795	HOSE, HSG. TO EXH. MAN. (PORT)	33	3	54-32523	CLAMP, HOSE ATTACHING	67	45
32-73796	HOSE, COVER TO EXH. MAN. (REAR)	33	1 & 2	54-32523	CLAMP, HOSE TO ELBOW AND TRANSMISSION COOLER	23	25
33-59571	SPARK PLUG (AC#MR43T)	11	28	54-32780	CLAMP, HOSE TO OIL COOLER AND THERMOSTAT HOUSING	33	7
33-59571	SPARK PLUG (AC#MR43T)	63	33	54-32780	CLAMP, WATER PUMP HOSE	27	22
35-53336	FILTER, FUEL INLET	19	46	54-32780	CLAMP, WATER PUMP HOSE	65	26
				54-32781	CLAMP, HOSE TO THERMOSTAT HOUSING AND WATER PUMP	25	5
				54-32781	CLAMP, OIL COOLER TO BRACKET	49	18
				54-32880	CLAMP, HOSE ATTACHING	33	8
				54-33683	CLAMP, BELLOWS TO EXHAUST ELBOW (UPPER)	25	20
				54-35830	CLAMP, HOSE TO STEERING PUMP	47	4

PARTS INDEX

Part Number	Description	Pg.	Ref. No.	Part Number	Description	Pg.	Ref. No.
54-47512	EYE, LIFTING	43	4	84-70945	LEAD ASSEMBLY, DISTRIBUTOR TO COIL (8")	11	17
54-47715	CLIP, HOSE TO CYLINDER BLOCK	33	6	84-70958A1	SWITCH ASSEMBLY, CUT-OUT	59	23
54-53101	CLAMP, VENT HOSE ATTACHING	15	20	84-70959	WIRING HARNESS	9	1
54-59989	CLIP, AUTOMATIC CHOKE ROD	15	33	84-75901	LEAD ASSEMBLY, DISTRIBUTOR TO COIL (5")	61	22
54-64324	CLAMP, HOSE ATTACHING TO OIL COOLER BRACKET	49	19	86-62993	TERMINAL BLOCK, MOUNTING BRACKET	59	12
54-65783A2	CLAMP ASSEMBLY, DISTRIBUTOR CAP ATTACHING	11	8	87-61053	STARTER SOLENOID	9	8
57-39756	BELT, WATER PUMP (BRASS BODY ONLY)	29	38	87-71831	BREAKER ASSEMBLY	11	6
57-48120	BELT, ALTERNATOR DRIVE (46")	43	23	88-65093	CIRCUIT BREAKER	9	15
57-49756	V-BELT, STEERING PUMP	49	1	89-68258	STARTER SOLENOID	9	8
57-74270	V-BELT, STEERING PUMP	49	1	109-ASLI	TRANSMISSION ASSEMBLY, COMPLETE	51	-
57-74271	BELT, WATER PUMP	67	42	222-4521	FLYWHEEL ASSEMBLY	37	22
57-74271	BELT, WATER PUMP (BRASS BODY ONLY)	29	38	391-5075	CAP, DISTRIBUTOR	61	2
57-77274	V-BELT, STEERING PUMP	49	1	391-5080	OILER	61	16
81-64851	CONDENSER	11	5	391-5083	VENT, SCREEN	61	15
84-64846	LEAD ASSEMBLY, PRIMARY TERMINAL	11	7	391-5084	PIN, CLAMP TO DISTRIBUTOR	61	12
84-65773A6	LEAD ASSEMBLY, PRIMARY TERMINAL	61	10	391-5085	CLAMP, DISTRIBUTOR CAP ATTACHING	61	11
84-67957--1	LEAD ASSEMBLY, HIGH TENSION (31") - CYL. #4	11	27	391-5086	WASHER, DISTRIBUTOR CAP SCREW	61	14
84-67957--1	LEAD ASSEMBLY, HIGH TENSION (31") - CYL. #4	61	32	391-5087	SCREW, DISTRIBUTOR CAP ATTACHING	61	13
84-67957--4	LEAD ASSEMBLY, HIGH TENSION (34") - CYL. #5	11	27	391-5088	ROTOR	61	4
84-67957--4	LEAD ASSEMBLY, HIGH TENSION (34") - CYL. #5	61	32	391-5089	SCREW, BREAKER ATTACHING	61	9
84-67957--5	LEAD ASSEMBLY, HIGH TENSION (38 1/2") - CYL. #2	11	27	391-5090	BREAKER ASSEMBLY	61	8
84-67957--5	LEAD ASSEMBLY, HIGH TENSION (38 1/2") - CYL. #2	61	32	391-5091	SCREW, CONDENSER BRACKET ATTACHING	61	7
84-67957--7	LEAD ASSEMBLY, HIGH TENSION (24") - CYL. #8	11	27	391-5092	CONDENSER	61	5
84-67957--7	LEAD ASSEMBLY, HIGH TENSION (24") - CYL. #8	63	32	391-5093	BRACKET, CONDENSER ATTACHING	61	6
84-67957--8	LEAD ASSEMBLY, HIGH TENSION (37") - CYL. #3	11	27	391-6389	GASKET, DISTRIBUTOR CAP	61	3
84-67957--8	LEAD ASSEMBLY, HIGH TENSION (37") - CYL. #3	61	32	391-6390	GEAR, DRIVE	61	17
84-67957-10	LEAD ASSEMBLY, HIGH TENSION (29 1/2") - CYL. #6 AND #7	11	27	391-6391	PIN, DRIVE GEAR	61	18
84-67957-10	LEAD ASSEMBLY, HIGH TENSION (29 1/2") - CYL. #6 AND #7	63	32	392-4625	CYLINDER HEAD ASSEMBLY	35	17
84-67957-11	LEAD ASSEMBLY, HIGH TENSION (42") - CYL. #1	11	27	392-4949	ARMATURE	3	2
84-67957-11	LEAD ASSEMBLY, HIGH TENSION (42") - CYL. #1	63	32	392-4951	CRANK ARM ASSEMBLY	3	8
				392-4952	GEAR AND GASKET PACKAGE	3	11
				392-4953	GASKET, COVER	3	12
				392-4955	HEAD ASSEMBLY, COMMUTATOR END	3	4
				392-4956	BRUSH SET	3	5
				392-4957	HEAD ASSEMBLY, DRIVE END	3	9
				392-4958	PLATE, CAM	3	13
				392-4959	SCREW AND DISC PACKAGE	3	10
				392-4960	SPRING SET, BRUSH	3	3
				392-4962	THRU BOLT	3	6
				392-5699	HARNESS ASSEMBLY (3 WIRE LEAD)	3	16
				392-5928	FIELD COIL ASSEMBLY	3	7

PARTS INDEX

Part Number	Description	Pg.	Ref. No.	Part Number	Description	Pg.	Ref. No.
392-6375	SWITCH PLATE	3	17	1397-4327	VALVE, CHOKE - CHOKE		
393-4988	CAP, DISTRIBUTOR	11	2		SHAFT	17	20
429-5948	CRANKSHAFT	39	44	1397-6373	AIR HORN ASSEMBLY	17	1
429-6541	CRANKSHAFT	39	44	1397-6374	THROTTLE BODY		
431-5952	CAMSHAFT	39	37		ASSEMBLY	19	52
614-5951	CONNECTING ROD						
	ASSEMBLY	39	33				
735-5949	PISTON AND PISTON PIN						
	ASSEMBLY (.001 O.S.)	37	10				
735-5950	PISTON AND PISTON PIN						
	ASSEMBLY (.030 O.S.)	37	10				
842-5941	CYLINDER BLOCK						
	ASSEMBLY	37	1				
842-5941	CYLINDER BLOCK						
	ASSEMBLY	43	24				
1347-4179A2	CARBURETOR ASSEMBLY	15	1				
1347-4179A2	CARBURETOR ASSEMBLY,						
	COMPLETE	17	-				
1347-5981A1	CARBURETOR ASSEMBLY	15	1				
1347-5981A1	CARBURETOR ASSEMBLY,						
	COMPLETE	17	-				
1397-3306	OVERHAUL KIT	19	--				
1397-3309	GASKET SET	19	--				
1397-3311	LEVER, ACTUATING - PUMP	17	9				
1397-3313	HOLDER KIT, SECONDARY						
	METERING ROD	17	4				
1397-3314	LEVER, AIR VALVE						
	LOCKOUT	17	2				
1397-3315	SPRING AND CAM KIT, AIR						
	VALVE	19	--				
1397-3317	CONTROL ASSEMBLY,						
	VACUUM	17	33				
1397-3318	ROD, VACUUM CONTROL	17	29				
1397-3319	CAM, FAST IDLE	17	28				
1397-3320	HOSE, VACUUM	17	34				
1397-3323	LEVER, INTERMEDIATE						
	CHOKE	17	24				
1397-3324	ROD, CHOKE	17	26				
1397-3325	FLOAT BOWL ASSEMBLY	19	42				
1397-3326	RETAINER, PUMP						
	DISCHARGE BALL	19	38				
1397-3327	FLOAT ASSEMBLY	17	22				
1397-3328	POWER PISTON ASSEMBLY	17	35				
1397-3329	RETAINER, POWER PISTON	19	37				
1397-3330	NUT, FILTER - FUEL INLET	19	47				
1397-3331	INSERT, FLOAT BOWL	19	41				
1397-3332	BAFFLE, FLOAT BOWL	17	25				
1397-3333	ROD, PUMP	19	50				
1397-3334	THROTTLE BODY						
	ASSEMBLY	19	52				
1397-3335	LEVER, CAM	19	56				
1397-3336	LEVER, FAST IDLE	19	57				
1397-3339	BRACKET ASSEMBLY,						
	VACUUM CONTROL	17	31				
1397-3465	OFF ENGINE KIT	19	--				
1397-4324	AIR HORN ASSEMBLY	17	1				
1397-4325	METERING ROD,						
	SECONDARY	17	5				
1397-4326	CHOKE SHAFT AND LEVER						
	ASSEMBLY	17	19				