



PARTS CATALOG

MERC 500

SERIAL NUMBER

500	USA 4141000 THRU 4357639
500	CAN 7051983 THRU 7068997
500	8029515 THRU 8030089
500	BEL 9082514 THRU 9107213

TABLE OF CONTENTS:

BOTTOM COWL ASSEMBLY	36
CARBURETOR ASSEMBLY, COMPLETE	24
CARBURETOR LINKAGE AND CHOKE SOLENOID	22
CLAMP AND SWIVEL BRACKET ASSEMBLY	46
COWLING AND FRONT COVER	6
CRANKSHAFT, PISTON AND CONNECTING ROD	34
CYLINDER BLOCK AND CRANKCASE ASSEMBLY	30
DRIVE SHAFT HOUSING ASSEMBLY	42
END CAPS, MANIFOLD AND EXHAUST COVERS	32
EXHAUST EXTENSION PLATE AND SHIFT LINKAGE	38
FLYWHEEL ASSEMBLY AND STATOR	8
FUEL PUMP ASSEMBLY	28
GEAR HOUSING ASSEMBLY, COMPLETE (PAGE 1)	50
GEAR HOUSING ASSEMBLY, COMPLETE (PAGE 2)	54
IGNITION DRIVER AND PILOT ASSEMBLY	10
IGNITION DRIVER ASSEMBLY, COMPLETE	14
MISCELLANEOUS PARTS/ACCESSORIES	1
PARTS INDEX	58
STARTER HOUSING	4
STARTER MOTOR, STARTER SOLENOID, RECTIFIER AND WIRING HARNES	18
TOP COWL ASSEMBLY	2

NOTE: *Indented description indicate that these parts are included in preceeding assembly.*

AR = As Required

NSS = Not Sold Separate

OPT = Optional

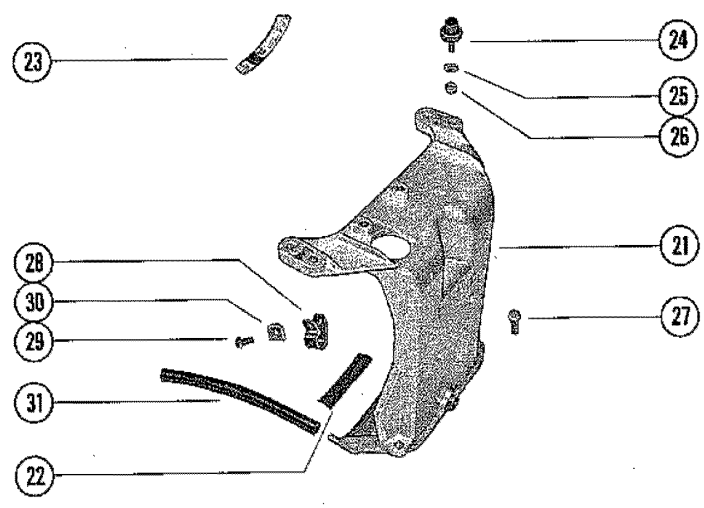
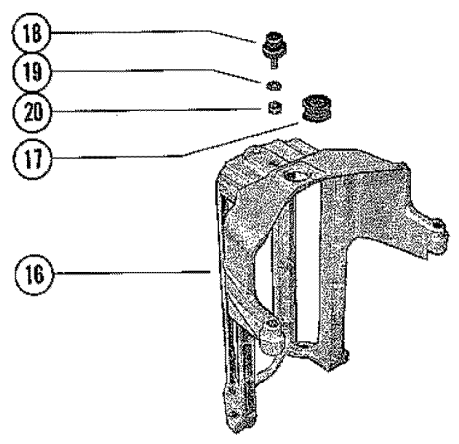
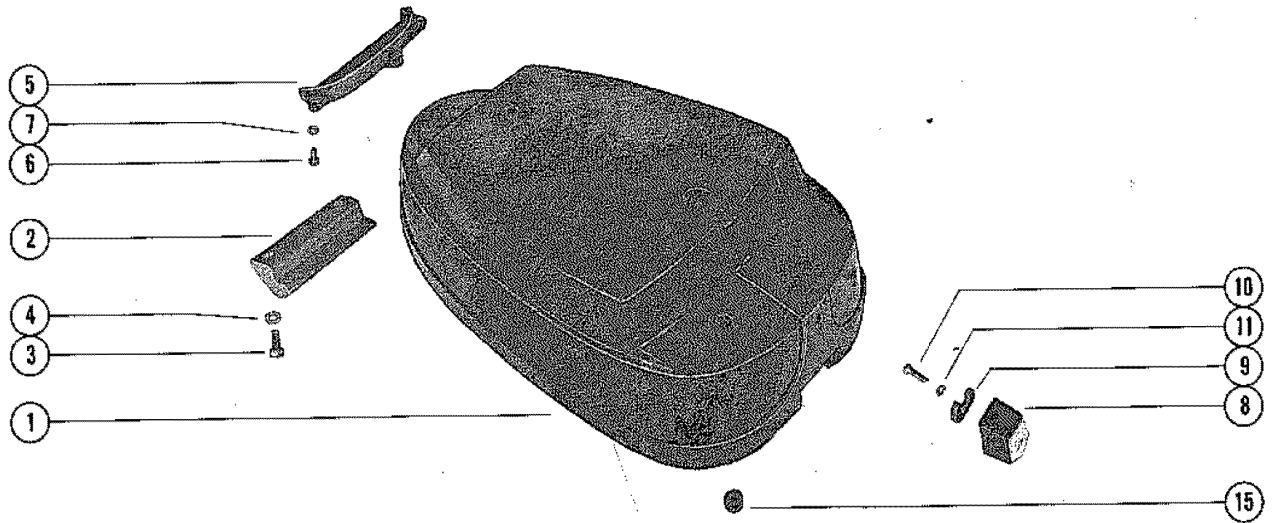
NS = Not Shown

THESE PARTS BOOKS/FICHE CARD ARE COPYRIGHTED AND MAY NOT BE DISTRIBUTED OR REPRODUCED IN ANY OTHER FORMAT BY ANYONE OTHER THAN MERCURY MARINE WITHOUT THE PRIOR WRITTEN CONSENT OF MERCURY MARINE.

MISCELLANEOUS PARTS/ACCESSORIES

REF. NO.	PART NO.	SYM.	QTY.	DESCRIPTION
-	27-46110A72		0	GASKET SET
-	90-71732		0	MERC 500 PARTS LIST
-	37-70017A75		0	DECAL SET
-	46-48746A2		0	HEAVY DUTY WATER PUMP
-	65794A2		0	TACHOMETER ASSEMBLY
-	52552A3		0	MODULE ASSMEBLY

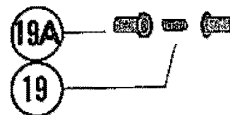
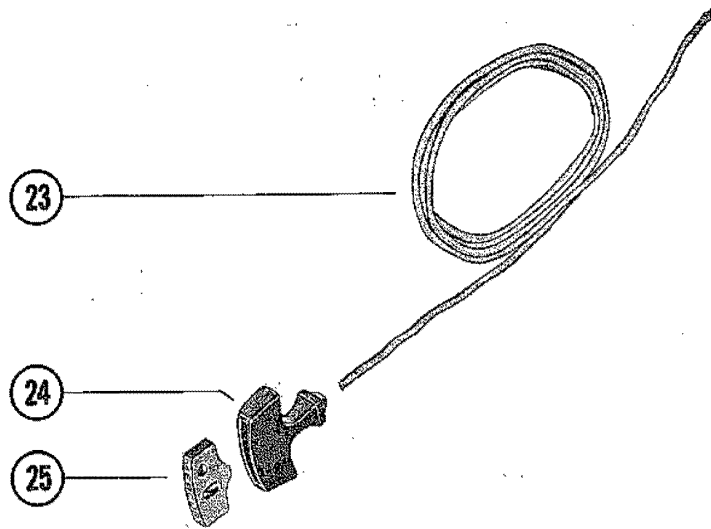
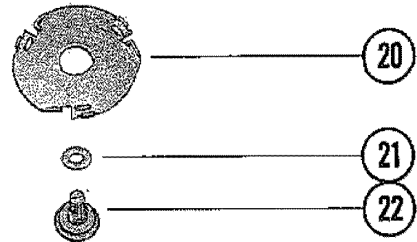
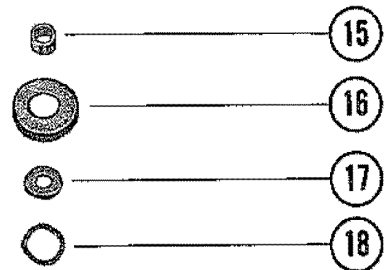
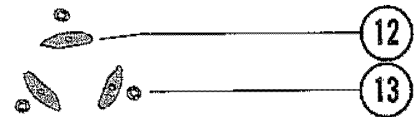
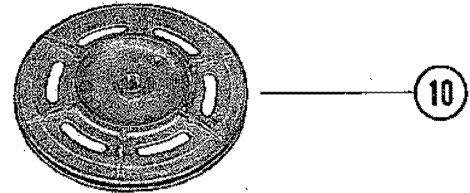
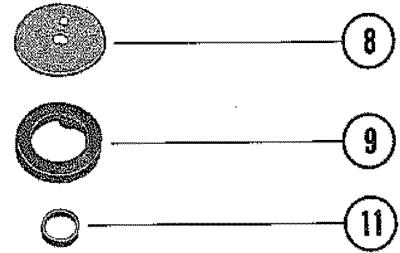
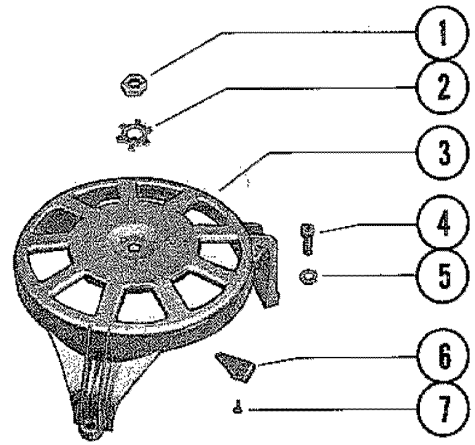
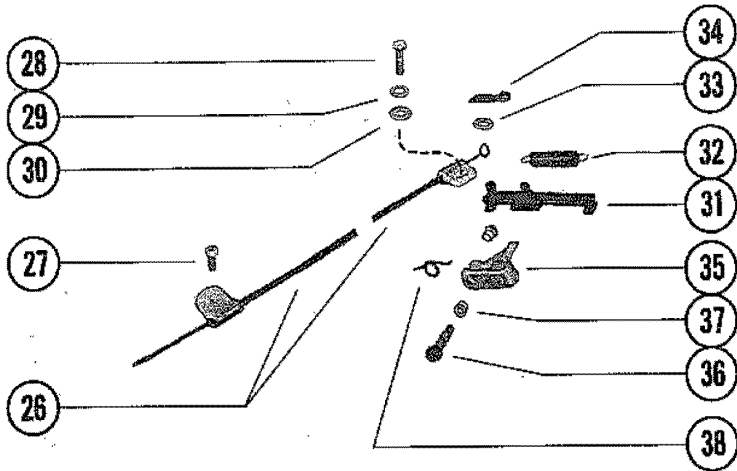
TOP COWL ASSEMBLY



TOP COWL ASSEMBLY

REF. NO.	PART NO.	SYM.	QTY.	DESCRIPTION
1	2117-3916		1	TOP COWL (MANUAL)
	2117-3903		1	TOP COWL (ELECTRIC)
2	55455		1	HOOK, TOP COWL LATCH - REAR
3	10-22956		2	SCREW, REAR HOOK TO TOP COWL (7/8")
4	13-26992		2	LOCKWASHER, REAR HOOK MOUNTING SCREW
5	37690		1	SHIELD, REAR - TOP COWL
6	10-37370		3	SCREW, REAR SHILD TO TOP COWL
7	13-37371		3	LOCKWASHER, REAR SHILD SCREW
8	55459A5		1	RETAINER ASSEMBLY, TOP COWL
9	35496		1	PAD, BUMPER-TOP COWL REATINER
10	10-24234		1	SCREW, RETAINER TO TOPE COWL (1")
11	13-39107		1	LOCKWASHER, RETAINER TO TOP COWL SCREW
12	52737		1	LEVER, COWL LATCH HINGE
13	52739		1	HINGE, COWL LATCH - TOP COWL
14	17-58998		1	PIN, COWL LATCH LEVER TO HINGE
15	25-20116		1	GROMMET, CHOKE KNOB
16	55467		1	BRACKET, REAR COWL SUPPORT
17	25-52723		1	GROMMET, LIMIT STOP - REAR COWL SUPPORT BRACKET
18	60577		2	MOUNT, RUBBER - REAR SUPPORT BRACKET
19	12-21631		AR	WASHER, REAR SUPPORT BRACKET RUBBER MOUNT
20	11-35045		2	NUT, REAR SUPPORT BRACKET RUBBER MOUNT
21	60785A2		1	BRACKET ASSEMBLY, FRONT SUPPORT
22	37921		1	FLANGE, RUBBER - FRONT SUPPORT BRACKET
23	37-46397		1	DECAL, TIMING - FRONT SUPPORT BRACKET
24	31014		2	MOUNT, RUBBER - FRONT SUPPORT BRACKET
25	12-23046		AR	WASHER, FRONT SUPPORT BRACKET RUBBER MOUNT
26	11-35045		2	NUT, FRONT SUPPORT BRACKET RUBBER MOUNT
27	10-37562		2	SCREW, FRONT SUPPORT BRACKET TO BOTTOM COWL (1")
28	54-25231		1	CLIP, SOLENOID LEAD TO FRONT SUPPORT BRACKET ELECTRIC
	54-23568		1	CLIP, SOLENOID LEAD AND HARNESS TO SUPPORT BRACKET ELECTRIC
29	10-31206		2	SCREW, CHOKE SOLENOID CLIP ATTACHING (7/16") ELECTRIC
30	22789		2	D WASHER, CHOKE SOLENOID CLIP SCREW ELECTRIC
31	32-34395A1		1	TUBE, DRAIN - FRONT SUPPORT BRACKET TO BOTTOM COWL

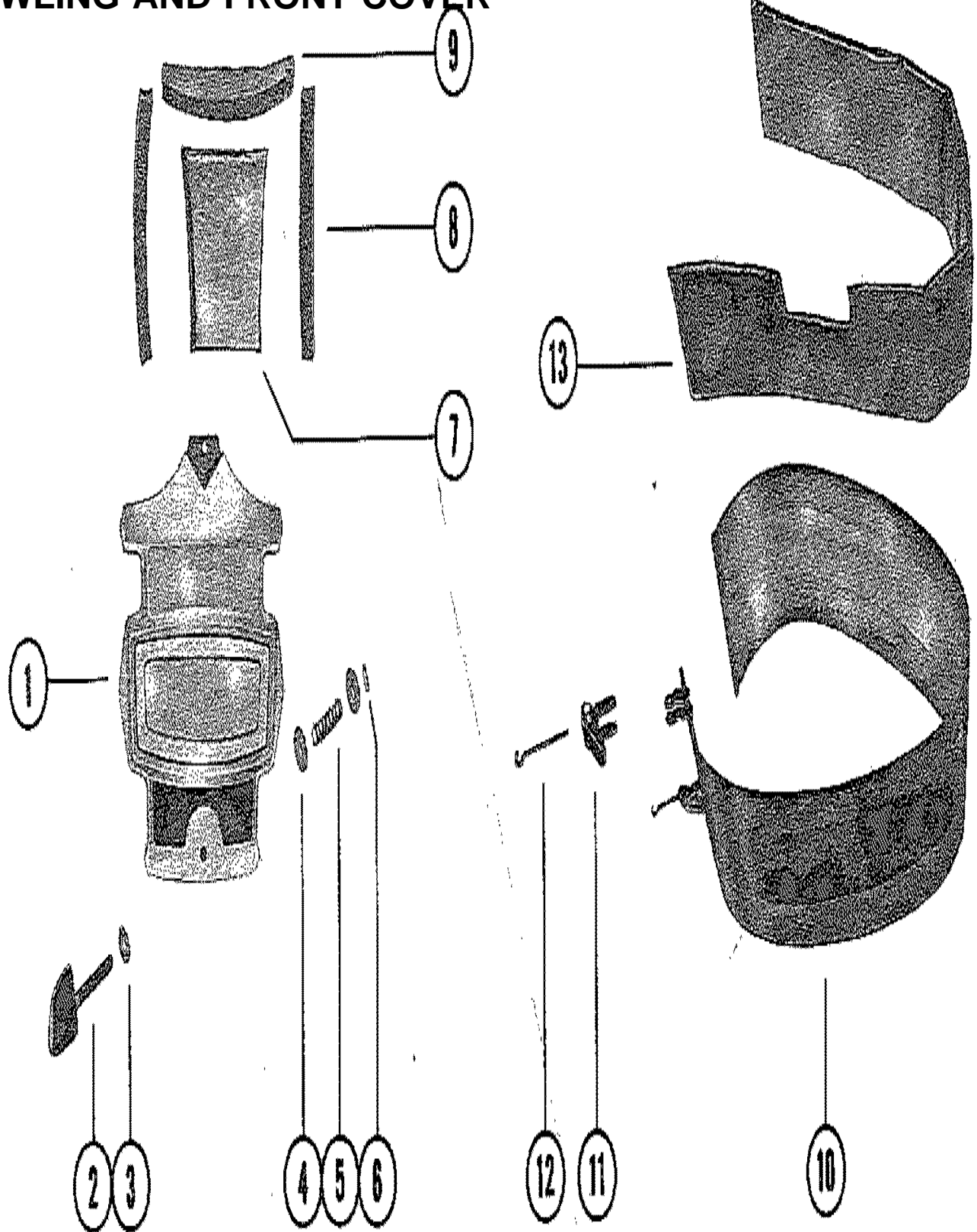
STARTER HOUSING



STARTER HOUSING

REF. NO.	PART NO.	SYM.	QTY.	DESCRIPTION
1	11-20166		1	NUT, SHEAVE SHAFT (LEFT HAND THREAD)
2	14-61004		1	TAB WASHER, SHEAVE SHAFT NUT
3	57237		1	HOUSING, STARTER
4	10-32565		3	SCREW, STARTER HOUSING TO CRANKCASE/CYLINDER BLOCK (1")
5	13-20202		3	LOCKWASHER, STARTER HOUSING SCREW
6	37691		1	PLATE, CABLE GUIDE
7	10-35881		3	SCREW, DRIVE - CABLE GUIDE TO STARTER HOUSING
8	61002		1	RETAINER, STARTER SPRING
9	24-39502A1		1	SPRING, STARTER REWIND
10	50-66855A1		1	SHEAVE, ASSEMBLY
11	23-63100		1	BUSHING, SPRING GUIDE
12	30596		3	PAWL, STARTER
13	13-36206		3	WASHER, WAVE - STARTER PAWL
15	23-63061		1	SPACER, SHEAVE SHAFT
16	39840		1	RETAINER, WAVE WASHER
17	12-57837		1	WASHER, WAVE WASHER RETAINER
18	13-20160		1	WASHER, WAVE - RETAINER TENSION
19			1	SPRING, RETAINER PLATE TO STARTER SHEAVE
19A	66848		2	RETAINER, SPRING
20	66845		1	PLATE, RETAINER - STARTER PAWL
21	12-57860		1	WASHER, WEAR - STARTER PAWL
22	61003		1	SHAFT, SHEAVE
23	50-28985A1		1	STARTER CABLE ASSEMBLY
	47341A1		1	STARTER CABLE (FOR MANUAL STARTING OF ELECTRIC ENGINE)
24	28747		1	HANDLE, STARTER CABLE
25	28748		1	RETAINER, STARTER CABLE AND HANDLE
26	70969		1	CABLE ASSEMBLY INTERLOCK
27	10-32228		1	SCREW, INTERLOCK CABLE TO EXHAUSE PLATE (5/8")
28	10-20100		1	SCREW, INTERLOCK CABLE TO STARTER HOUSING (1/2")
29	13-27660		1	LOCKWAHSER, INTERLOCK CABLE SCREW
30	12-26013		2	WASHER, INERLOCK CABLE SCREW
31	57236		1	CAM, SLIDING - STARTER HOUSING
32	24-70086		1	SPRING, SLIDING CAM
33	12-37998		1	WASHER, INTERLOCK CABLE
34	18-26953		1	COTTER PIN, INERLOCK CABLE TO SLIDING CAM
35	65757A1		1	TOGGLE ASSEMBLY, STARTER INTERLOCK
36	10-57249		1	SCREW, TOGGLE TO STARTER HOUSING
37	23-26856		2	BUSHING, TOGGLE SCREW
38	24-57279		1	SPRING, TOGGLE SCREW

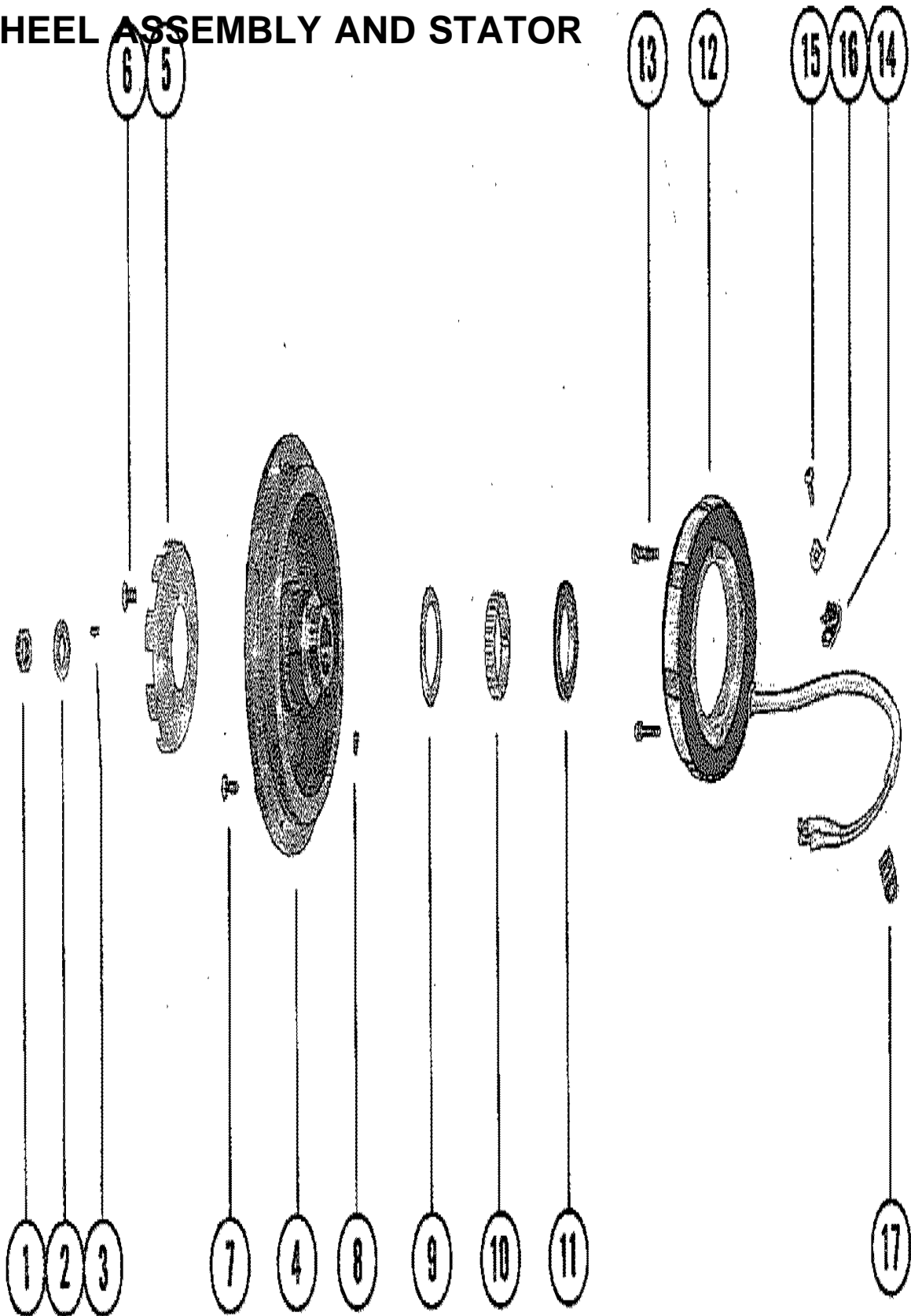
COWLING AND FRONT COVER



COWLING AND FRONT COVER

REF. NO.	PART NO.	SYM.	QTY.	DESCRIPTION
1	2104-5642A3		1	COWL FRONT COVER ASSEMBLY
2	56848		1	KNOB, COWL FRONT COVER FASTENING
3	12-30771		1	WASHER, COVER FASTENING KNOB
4	12-59572		2	WASHER, COVER FASTENING KNOB
5	24-32271		1	SPRING, TENSION - COVER FASTENING KNOB
6	17-29077		1	PIN, ROLL - TENSION SPRING TO KNOB
7	38674		1	BLANKET, SOUND ABSORBING
8	31095		2	SEAL, SOUND - LOWER SECTION
9	38133		1	SEAL SOUND - UPPER SECTION
10	2118-3247A3		1	WRAP AROUND COWL ASSEMBLY
11	46785A1		2	COWL LATCH ASSEMBLY
12	30413		2	HOOK, COWL LATCH FASTENING
13	37794		1	BLANKET, SOUND ABSORBING
-	92-25234--1		1	GLUE (BLANKET ADHESIVE)

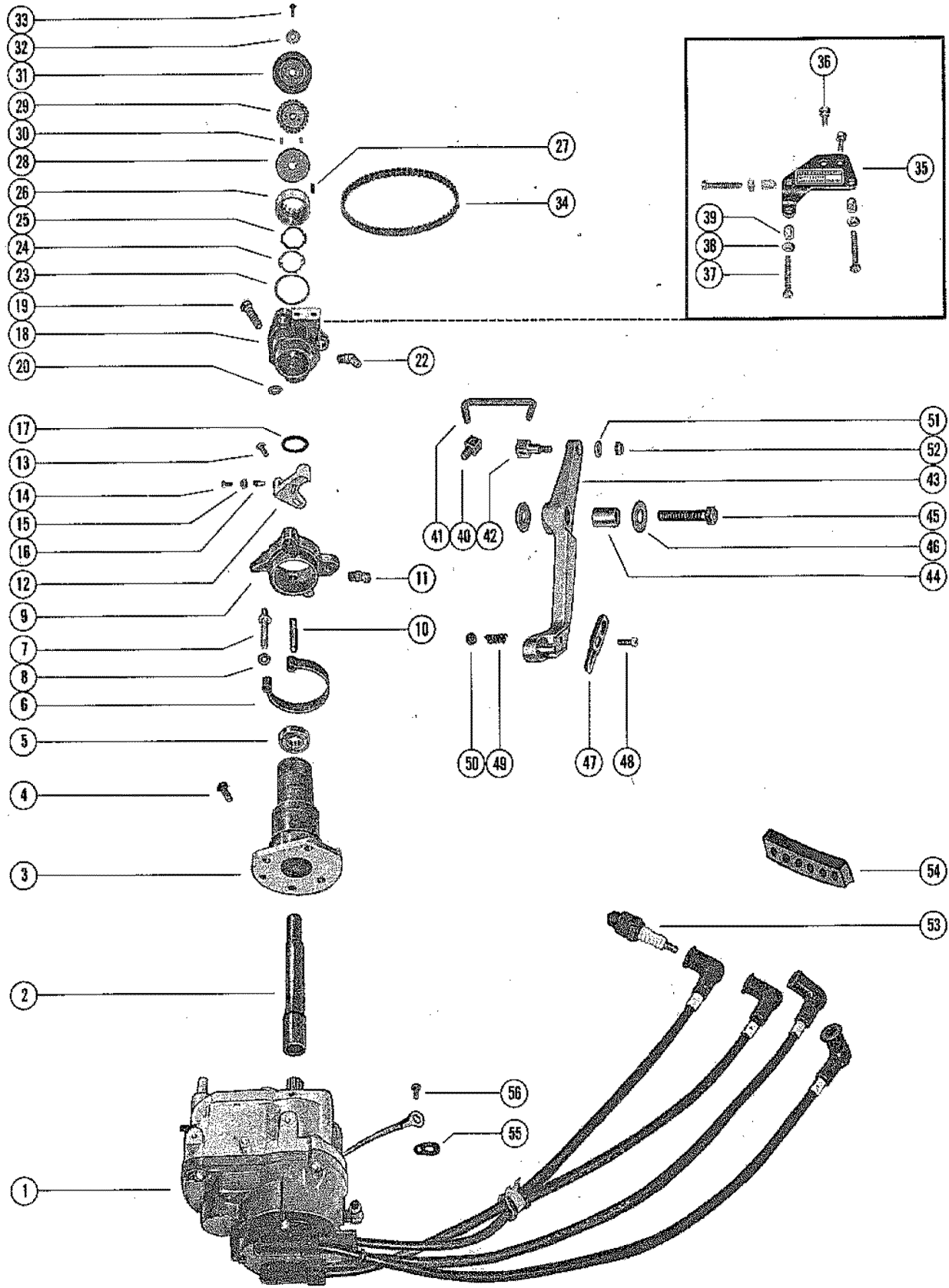
FLYWHEEL ASSEMBLY AND STATOR



FLYWHEEL ASSEMBLY AND STATOR

REF. NO.	PART NO.	SYM.	QTY.	DESCRIPTION
1	11-22339		1	NUT, FLYWHEEL
2	12-68229		1	WAHSER, FLYWHEEL NUT
3	28-20094		1	KEYWHEEL DRIVE
4	223-2402A13		1	FLYWHEEL ASSEMBLY (MANUAL)
	223-2403A18		1	FLYWHEEL ASSEMBLY (ELECTRIC)
5	50-65211		1	RATCHET, FLYWHEEL (MANUAL)
6	10-69088		8	SCREW, PLATE AND RATCHET (5/16")
7	10-32417		8	SCREW, FLEX PLATE TO FLYWHEEL (5/8")
8	17-26618		1	PIN, DOWEL - PULLEY TO FLYWHEEL
9	29788		1	FLANGE, FLYWHEEL PULLEY
10	30306		1	PULLEY, FLYWHEEL
11	29787		1	HUB, FLANGE - FLYWHEEL PULLEY
12	398-2996		1	STATOR, ALTERNATOR - FLYWHEEL ELECTRIC
13	10-57021		4	SCREW, STATOR TO UPPER END CAP (7/8") ELECTRIC
14	54-26550		1	CLAMP, STATOR LEAD TO CRANKCASE ELCTRIC
15	10-35519		1	SCREW, STATOR LEAD CLAMP FASTENING (1/2") ELECTRIC
16	22789		1	"D" WASHER, STATOR LEAD CLAMP SCREW ELECTRIC
17	54-46379		1	CLIP, STATOR LEAD TO CRANKCASE ELECTRIC

IGNITION DRIVER AND PILOT ASSEMBLY

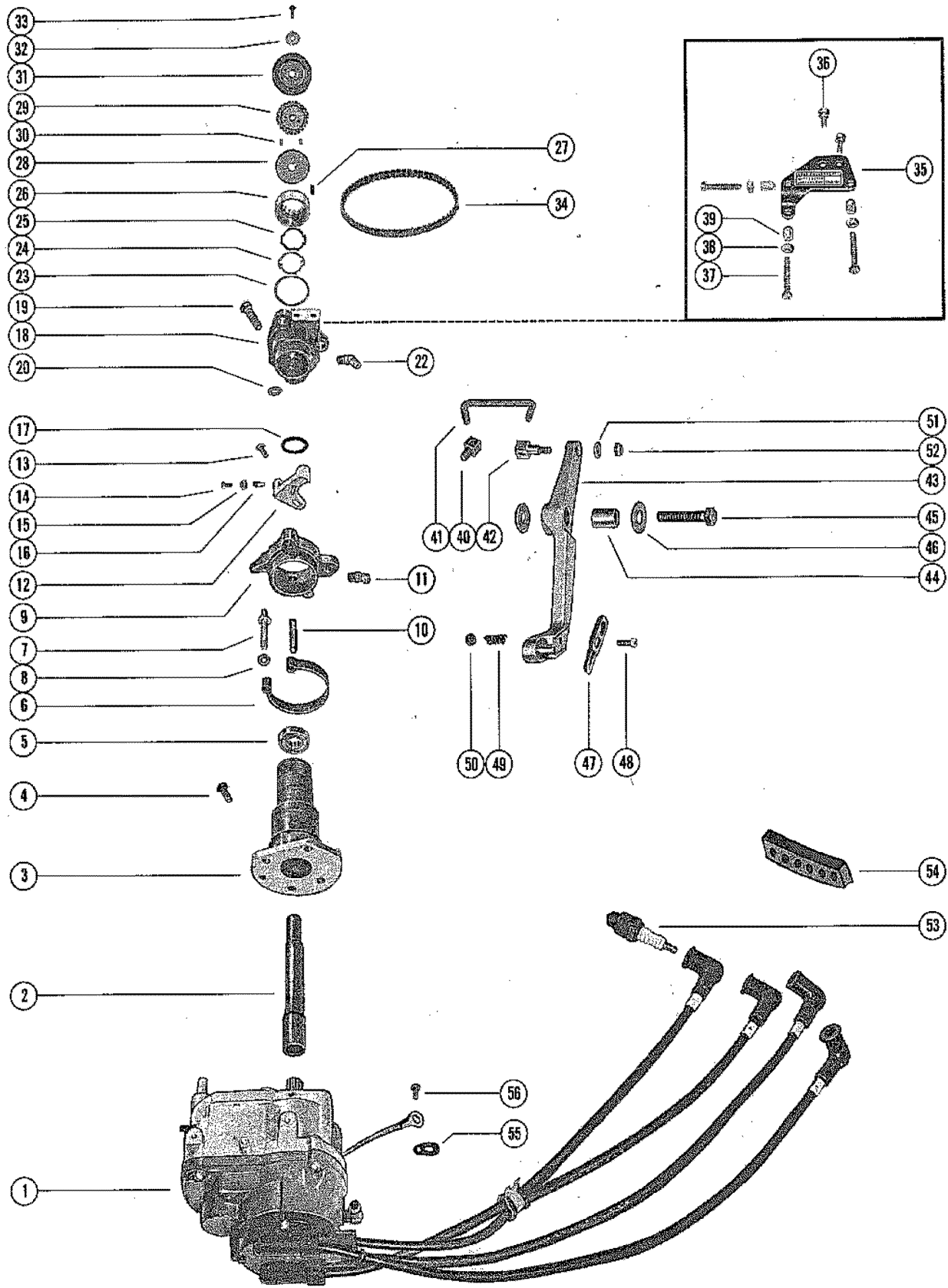


IGNITION DRIVER AND PILOT ASSEMBLY

REF. NO.	PART NO.	SYM.	QTY.	DESCRIPTION
1	333-4674A3		1	IGNITION DRIVER ASSEMBLY, COMPLETE
2	45-27951		1	SHFT, IGNITION DRIVE
3	47883A1		1	PILOT ASSEMBLY, IGNITION DRIVE
4	10-47910		4	SCREW, ADAPTOR AND PILOT TO IGNITION DRIVE (5/8")
5	30-20066		1	BALL BEARING, IGNITION DRIVE PILOT
6	24-27944		1	SPRING, HORSESHOE - IGNITION DRIVE PILOT
7	17-27962		1	PIN, ANCHOR - HORSESHOE SPRING TO ANCHOR PIN
8	12-29245		1	WASHER, HORSESHOE SPRING TO ANCHOR PIN
9	48103A1		1	ECONOMIZER COLLAR AND PIN ASSEMBLY
10	17-27961		1	PIN, ECONOMIZER COLLAR - SPRING RETAINER
11	22-25094		1	FITTING, GREASE - ECONOMIZER COLLAR
12	66778		1	PLATE, THROTTLE ACTUATOR
13	10-46420		2	SCREW, THROTTLE ACTUATOR TO ECONOMIZER COLLAR (1/2")
14	10-23015		1	SCREW, ADJUSTING - THROTTLE ACTUATOR (1")
15	11-20645		1	NUT, THROTTLE ACTUATOR ADJUSTING SCREW
16	48039		1	CAP, THROTTLE ACTUATOR ADJUSTING SCREW
17	12-46246		1	WASHER, IGNITION DRIVE PILOT TO ADAPTOR
18	66856A1		1	ADAPTOR, IGNITION DRIVE
19	10-37558		3	SCREW, ADAPTOR AND PILOT TO CRANKCASE (1-1/4")
20	12-20084		3	WASHER, ADAPTOR AND PILOT TO CRANKCASE SCREW
22	22-25094		1	FITTING GREASE - IGNITION DRIVE ADAPTOR
23	12-27939		1	WASHER, IGNITION DRIVER PILOT
24	14-27960		1	TAB WASHER, ADAPTOR CAP FASTENING
25	13-27959		1	WASHER, WAVE - IGNITION DRIVER BALL BEARING TENSION
26	27955		1	CAP, IGNITION DRIVE ADAPTOR AND PILOT FASTENING
27	28-28657		1	KEY, IGNITION DRIVE
28	29784		1	HUB, DRIVEN PULLEY
-	23-29909		1	SPACER, DRIVE PULLEY
29	29783A1		1	DRIVE PULLEY ASSEMBLY
30	17-24873		2	PIN, ROLL - FLANGE
31	29785		1	FLANGE, DRIVEN PULLEY
32	12-20138		1	WASHER, PULLEY SCREW
33	10-69032		1	SCREW, PULLEY (5/8")
34	20140		1	BELT, TIMING
35	53458		1	PLATE, THROTTLE STOP
36	10-31299		2	SCREW, THROTTLE STOP PLATE TO ADAPTOR (7/8")
37	10-20012		3	SCREW, THROTTLE STOP ADJUSTING (1 5/8")
38	11-20013		3	NUT, THROTTLE STOP ADJUSTING SCREW
39	26852		3	CAP, MYLON - ADJUSTING SCREW
40	27947		1	SWIVEL, LINKAGE - ECONOMIZER COLLAR
41	66552		1	LINK ROD
42	27948		1	SWIVEL, UPPER LINK ROD TO THROTTLE CONTROL LEVER

CONTINUED ON NEXT PAGE ➡

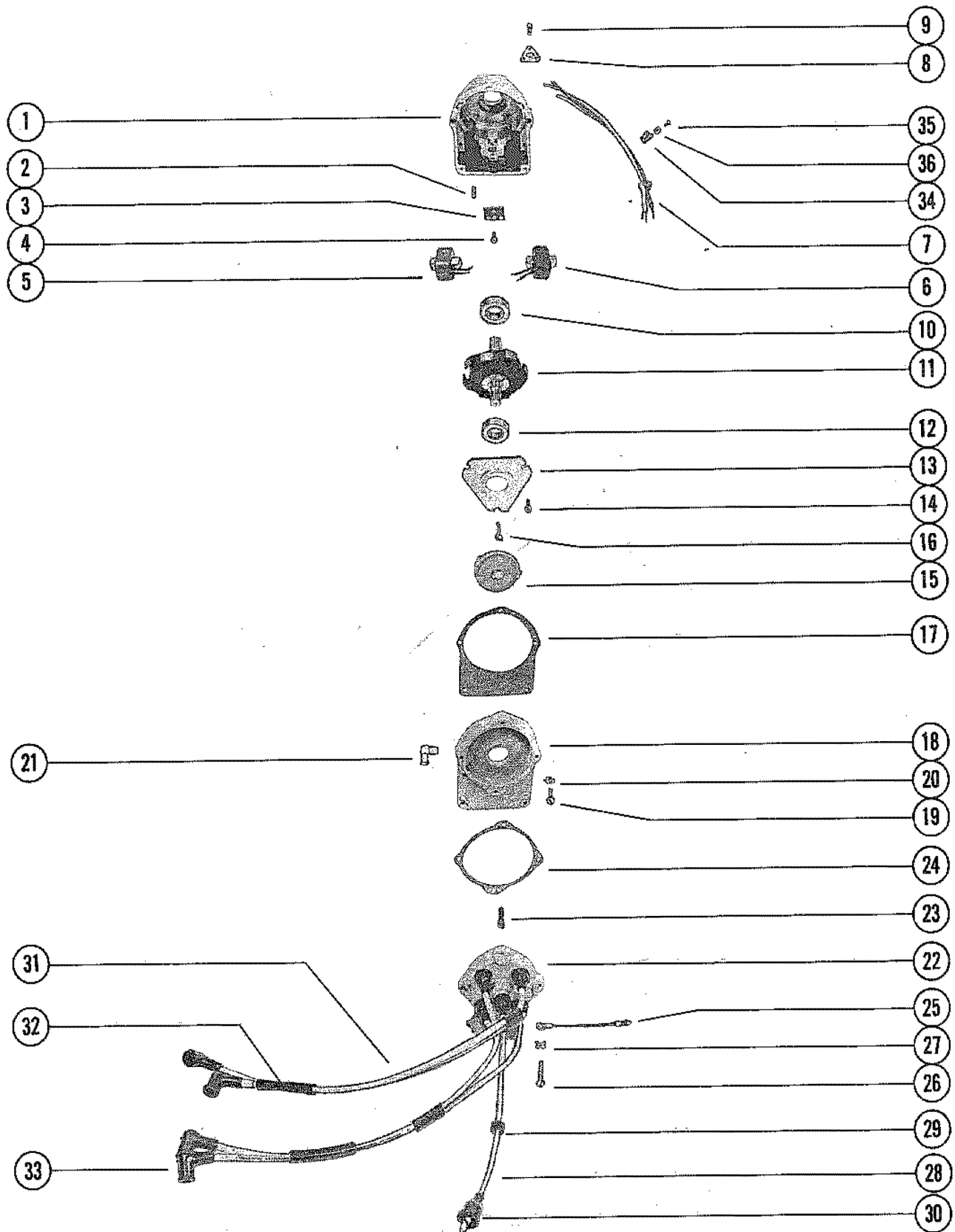
IGNITION DRIVER AND PILOT ASSEMBLY



IGNITION DRIVER AND PILOT ASSEMBLY

REF. NO.	PART NO.	SYM.	QTY.	DESCRIPTION
43	53143		1	LEVER, THROTTLE CONTROL
44	23-45818		1	BUSHING, THROTTLE LEVER SCREW
45	10-47273		1	SCREW, THROTTLE LEVER TO EXHAUST COVER (1 1/2")
46	12-29395		1	WASHER, THROTTLE LEVER SCREW
47	39483		1	LATCH, THROTTLE CONTROL LEVER (THROTTLE CABLE)
48	10-22486		1	SCREW, LATCH TO THROTTLE CONTROL LEVER (7/8")
49	24-20099		1	SPRING, COMPRESSION - LATCH SCREW
50	11-20586		1	NUT, LATCH SCREW
51	12-29245		1	WASHER, UPPER SWIVEL TO THROTTLE LEVER
52	11-20586		1	NUT, UPPER SWIVEL TO THROTTLE LEVER
53	33-68057		4	SPARK PLUG (CHAMPION L-76-V)
54	45391		1	SPACER, IGNITION WIRE
55	26551		1	BRACKET, TAB - CRANKCASE - IGNITION DRIVER GROUND STRAP
56	10-26548		1	SCRW, IGNITION DRIVER GROUND STRAP TO TAB BRACKET (3/8")

IGNITION DRIVER ASSEMBLY, COMPLETE

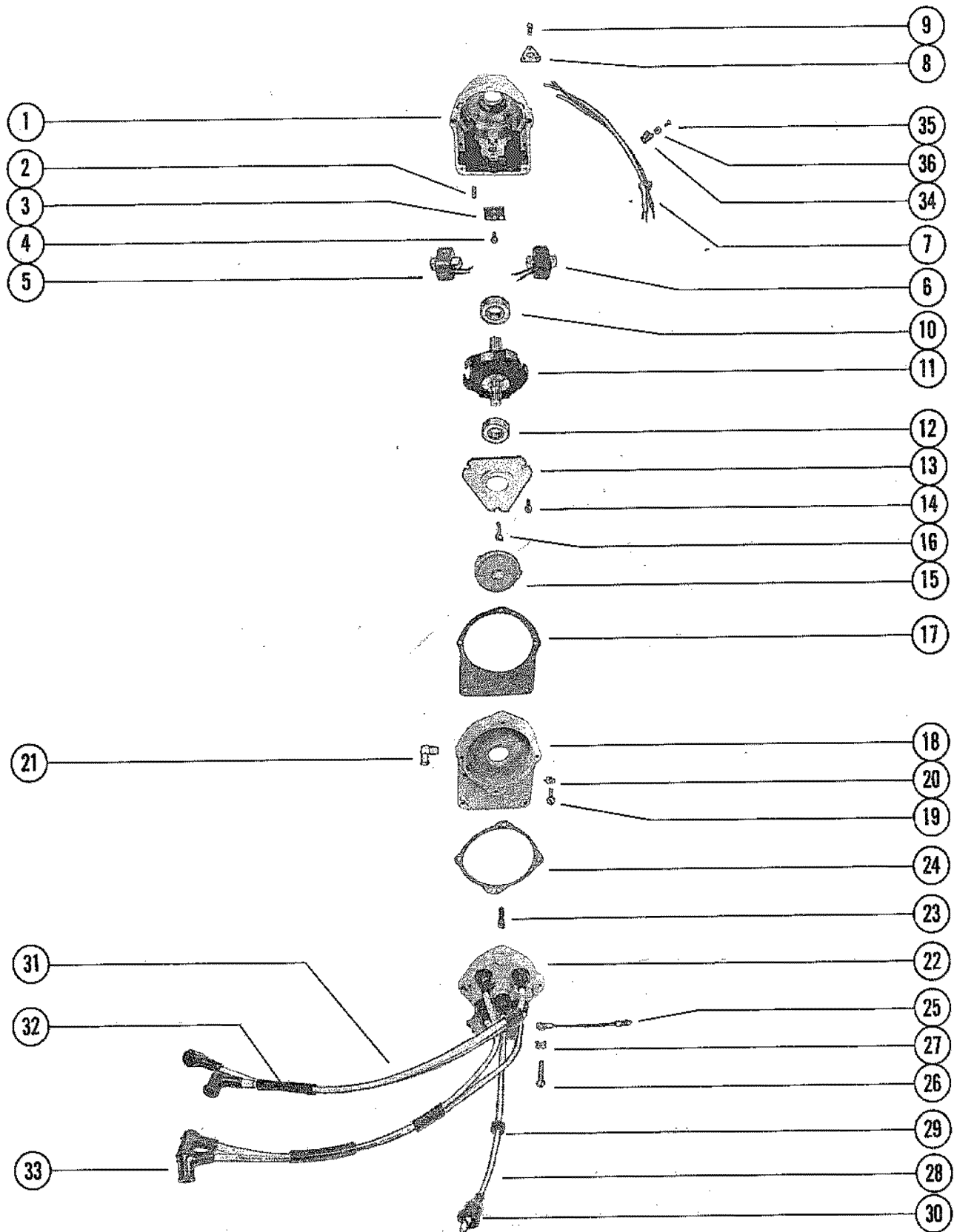


IGNITION DRIVER ASSEMBLY, COMPLETE

REF. NO.	PART NO.	SYM.	QTY.	DESCRIPTION
-	333-4674A3		1	IGNITION DRIVER ASEMBLY, COMPLETE
1	333-4674A4		1	HOUSING, IGNITION DRIVER
2	10-47183		4	SCREW, SET - COIL ASSEMBLY FASTENING
3	333-3172A1		1	TERMINAL BOARD ASSEMBLY, IGNITION DRIVER
4	10-47182		1	SCREW, TERMINAL BOARD ASSEMBLY FASTENING (1/2")
5	333-3175		1	COIL ASSEMBLY, IGNITION DRIVER (RED)
6	333-3176		1	COIL ASSEMBLY, IGNITION DRIVE (BLUE)
7	333-3173		1	HARNESS, PRIMARY CABLE - IGNITION DRIVER
8	54-47188		1	CLAMP, PRIMARY HARNESS CABLE - IGNITION DRIVER
9	10-28259		3	SCREW, PRIMARY HARNESS CABLE FASTENING (5/8")
10	30-24998		1	BEARING, BALL - DRIVER END (1 3/8" O.D.)
11	333-3198A1		1	SHAFT ASSEMBLY, IGNITION DRIVER
12	30-49090		1	BEARING, BALL - IGNITION DRIVER END (1 1/4" O.D.)
13	333-3166		1	CAP, BEARING - IGNITION DRIVER HOUSING
14	10-47194		3	SCREW, BEARING CAP FASTENING (9/16")
15	333-3143A1		1	ROTOR ASSEMBLY, IGNITION DRIVER
16	54-47187		1	SPRING, CLIP - IGNITION DRIVER ROTOR
17	27-61031		1	GASKET, IGNITION DRIVER COVER
18	333-4639A1		1	COVER, IGNITION DRIVER
19	10-47185		2	SCREW, IGNITION DRIVER COVER FASTENING 3/4"
20	14-29157		2	TAB WASHER, IGNITION DRIVER COVER FASTENING SCREW
21	58807A1		2	FLAME ARRESTOR, IGNITION DRIVER COVER
22	333-3142A3		1	CAP ASSEMBLY, IGNITION DRIVER
23	333-3165A1		1	BRUSH AND SPRING ASSEMBLY
24	27-47190		1	GASKET, IGNITION DRIVER CAP
25	394-1134A2		1	GROUND STRAP ASSEMBLY
26	10-47181		3	SCREW, IGNITION DRIVER CAP FASTENING (1 7/8")
	10-47184		1	SCREW, IGNITION DRIVER CAP FASTENING (1 1/2")
27	14-29157		4	TAB WASHER, IGNITION DRIVER CAP FASTENING SCREW
28	393-250A1		1	LEAD ASSEMBLY, HIGH TENSION DRIVER TO COIL
-	20121		1	TERMINAL, HIGH TENSION LEAD
-	393-1275		1	SLEEVE, HIGH TENSION LEAD TERMINAL COVER
29	25-26547		1	GROMMET, COIL WIRE BRACKET
30	332-2854		1	BOOT, HIGH TENSION LEAD CABLE
31	84-63212A2		4	SPARK PLUG LEAD ASSEMBLY (27 1/2") ORDER A-36549A1 KIT FOR REPLACEMENT OF LEAD WIRE MARKERS
-	20121		4	CONNECTOR, SPARK PLUG LEAD
-	393-1275		4	SLEEVE, SPARK PLUG LEAD TO IGNITION DRIVER
32	32-46768		2	SLEEVE, SPARK PLUG LEAD (6")

CONTINUED ON NEXT PAGE ➡

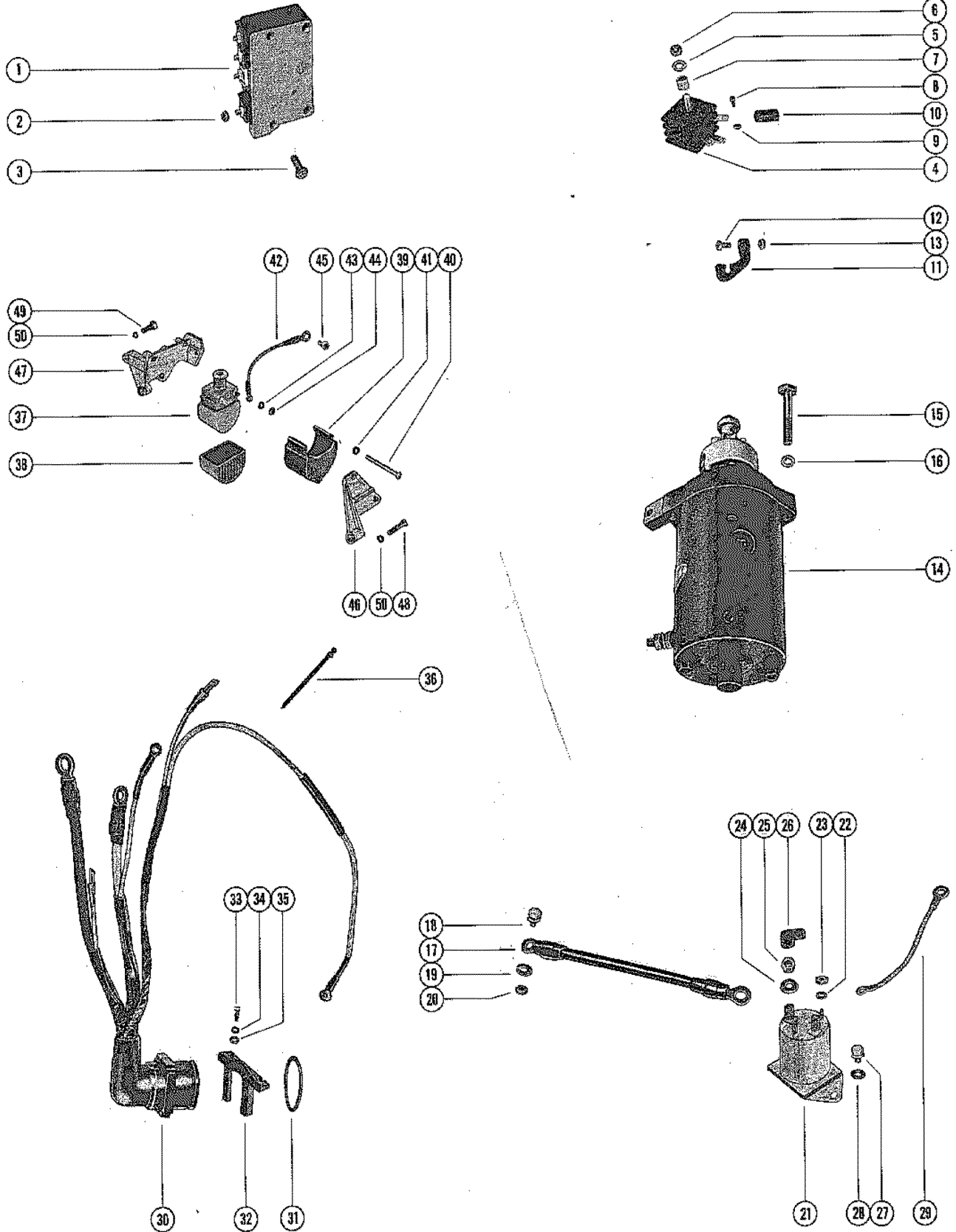
IGNITION DRIVER ASSEMBLY, COMPLETE



IGNITION DRIVER ASSEMBLY, COMPLETE

REF. NO.	PART NO.	SYM.	QTY.	DESCRIPTION
33	85-71006A1		4	PROTECTOR ASSEMBLY, SPARK PLUG LEADS
-	59126		1	SEPARATOR, IGNITION LEADS
34	54-22627		1	CLIP, IGNITION DRIVER LEAD
35	10-25157		1	SCREW, IGNITION DRIVE LEAD TO SWITCH BOX (1/2")
36	22789		1	"D" WASHER, IGNITION DRIVER LEAD SCREW

STARTER MOTOR, STARTER SOLENOID, RECTIFIER AND WIRING HARNESS

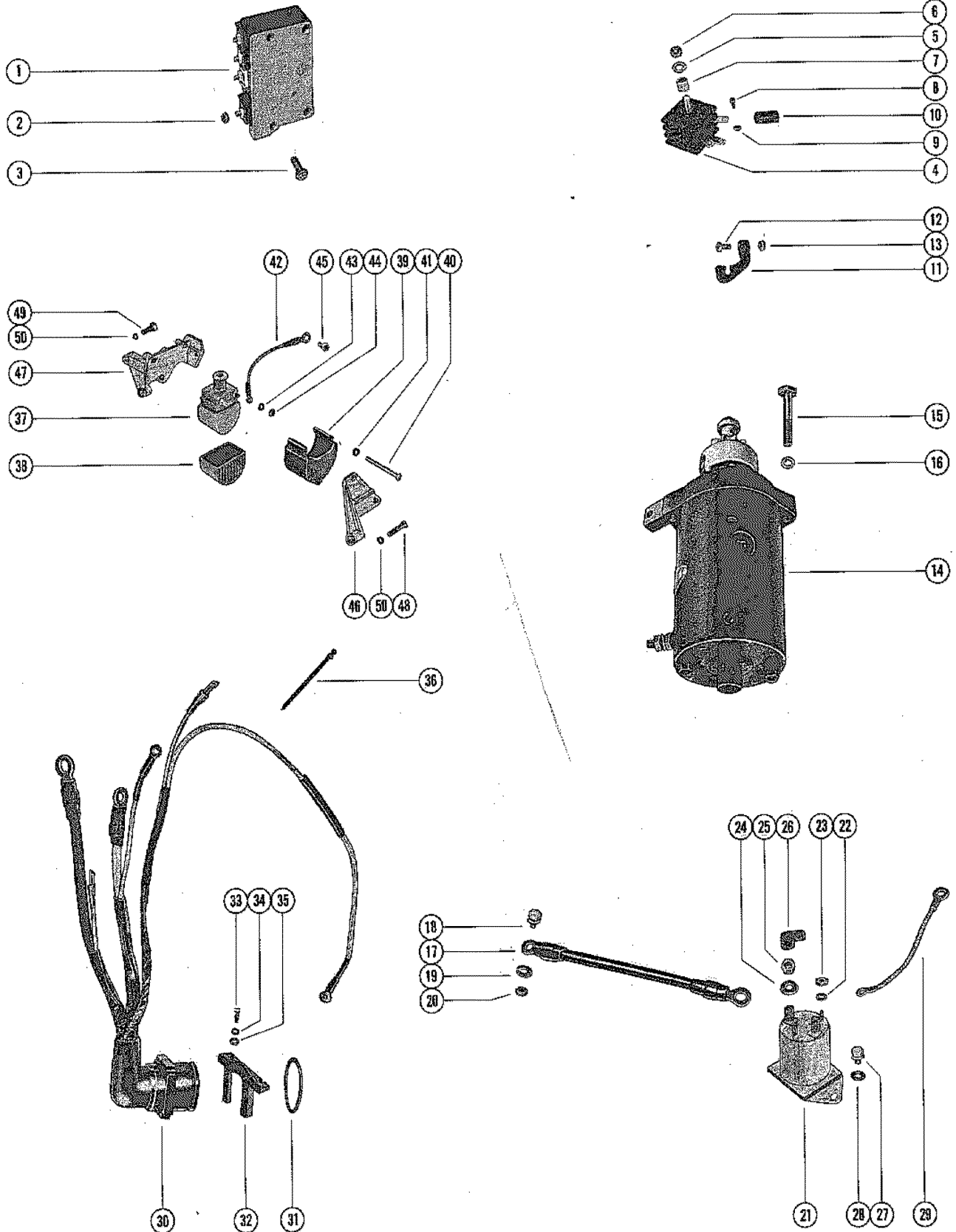


STARTER MOTOR, STARTER SOLENOID, RECTIFIER AND WIRING HARNES

REF. NO.	PART NO.	SYM.	QTY.	DESCRIPTION
1	333-3213A3		1	SWITCH BOX ASSEMBLY, COMPLETE
2	11-45076		4	NUT, SWITCH BOX TERNINAL
3	10-69030		4	SCREW, SWITCH BOX TO FRONT SUPPORT BRACKET (5/8")
4	49184		1	RECTIFIER ELECTRIC ELECTRIC
5	13-26993		1	LOCKWASHER, RECTIFIER TO FRONT BRACKET ELECTRIC
6	11-28770		1	NUT, RECTIFIER TO FRONT BRACKET ELECTRIC
7	23-28458		1	SPACER, RECTIFIER TO FRONT BRACKET ELECTRIC
8	10-20055		3	SCREW, RECTIFIER TERMINALS (3/8") ELECTRIC
9	11-29488		3	NUT, RECTIFIER TERMINALS ELCTRIC
10	32-28373		3	SLEEVE, RECTIFIER TERMINALS ELCTRIC
11	59757		1	BRACKET, RETAINER - HIGH TENSION LEAD
12	10-49987		1	SCREW, RETAINER BRACKET TO SUPPORT BRACKET (1 1/2"0
13	11-35045		1	NUT, RETAINER BRACKET SCREW
14	50-55601		1	STARTER MOTOR ASSEMBLY ELECTRIC
15	10-52446		2	SCREW, STARTER MOTOR TO CRANKCASE FLANGE (1 5/8") ELECTRIC
16	13-26993		2	LOCKWASHER, STARTER MOTOR SCREW ELECTRIC
17	84-71441		1	WIRE, STARTER MOTOR TO SOLENOID AND TOP MOUNT ELECTRIC
18	10-29197		1	SCREW, GROUND WIRE TO STARTER MOTOR (5/8") ELECTRIC
19	13-26992		1	LOCKWASHER, GROUND WIRE FASTENING SCREW ELECTRIC
20	11-20890		1	NUT, GROUND WIRE SCREW ELECTRIC
21	89-68258		1	STARTER SOLENOID ELECTRIC
22	13-26996		2	LOCKWASHER, SOLENOID TERMINAL (#10) ELECTRIC
23	11-68219		2	NUT, SOLENOID TERMINAL (#10) ELECTRIC
24	13-26993		2	LOCKWASHER, SOLENOID TERMINAL (5/16"0 ELECTRIC
25	11-26062		2	NUT, CAP - SOLENOID TERMINAL (5/16") ELECTRIC
26	46265		1	BOOT, TERMINAL - STARTER SOLENOID ELECTRIC
27	10-28635		2	SCREW, SOLENOID TO SUPPORT BRACKET (3/4") ELECTRIC
28	13-26992		2	WASHER, STARTER SOLENOID SCREW ELECTRIC
29	84-65773A2		1	GROUND STRAP ASSEMBLY ELECTRIC
30	84-71443		1	WIRING HARNESS (INTERNAL) ELECTRIC
31	24-28975		1	SPRING, GARTER - INTERNAL WIRING HARNESS ELECTRIC
32	54-52876		1	CLAMP, WIRING HARNESS ELECTRIC
33	10-45862		2	SCREW, WIRING HARNESS CLAMP TO BOTTOM COWL (7/8") ELECTRIC
34	13-26996		2	LOCKWASHER, WIRING HARNESS CLAMP SCREW ELECTRIC
35	12-20128		2	WASHER, WIRING H ARNESS CLAMP SCREW ELECTRIC
36	61990		1	STA-STRAP, WIRING HARNESS ELECTRIC
37	332-4895A2		1	IGNITION COIL ASSEMBLY
38	72015		1	PAD, RUBBER - IGNITION COIL
39	63195		1	COVER, CASTING - COIL

CONTINUED ON NEXT PAGE ➡

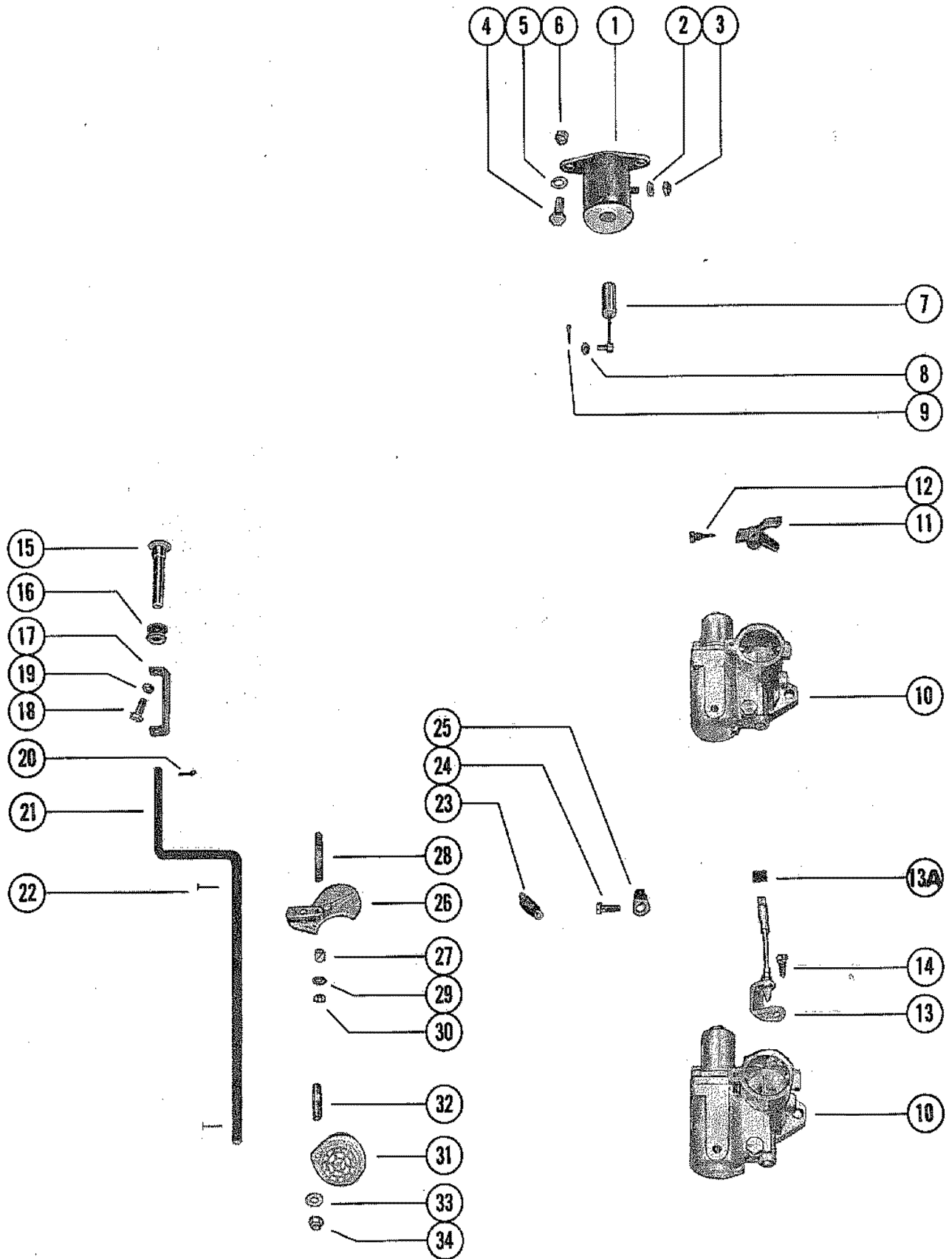
STARTER MOTOR, STARTER SOLENOID, RECTIFIER AND WIRING HARNESS



STARTER MOTOR, STARTER SOLENOID, RECTIFIER AND WIRING HARNES

REF. NO.	PART NO.	SYM.	QTY.	DESCRIPTION
40	10-64099		3	SCREW, IGNITION COIL TO BRACKET (2 1/8")
41	13-26996		3	LOCKWASHER, IGNITION COIL SCREW
42	84-60871A10		1	WIRE ASSEMBLY, COIL TO SWITCH BOX (BLACK)
	84-71440A1		1	WIRE ASSEMBLY, COIL TO SWITCH BOX (GREEN)
43	12-26436		2	WASHER, IGNITION COIL TERMINAL (#10)
44	11-45076		2	NUT, IGNITION COIL TERMINAL (#10)
45	10-45218		1	SCREW, IGNITION COIL WIRE TO SWITCH BOX (3/8")
46	70014		1	BRACKET, IGNITION COIL (REAR)
47	70012		1	BRACKET, IGNITION COIL
48	10-36154		1	SCREW, COIL BRACKET TO BOTTOM COWL (1 3/8")
49	10-36137		2	SCREW, COIL BRACKET TO BOTTOM COWL (1")
50	13-26992		3	LOCKWASHER, COIL BRACKET SCREW

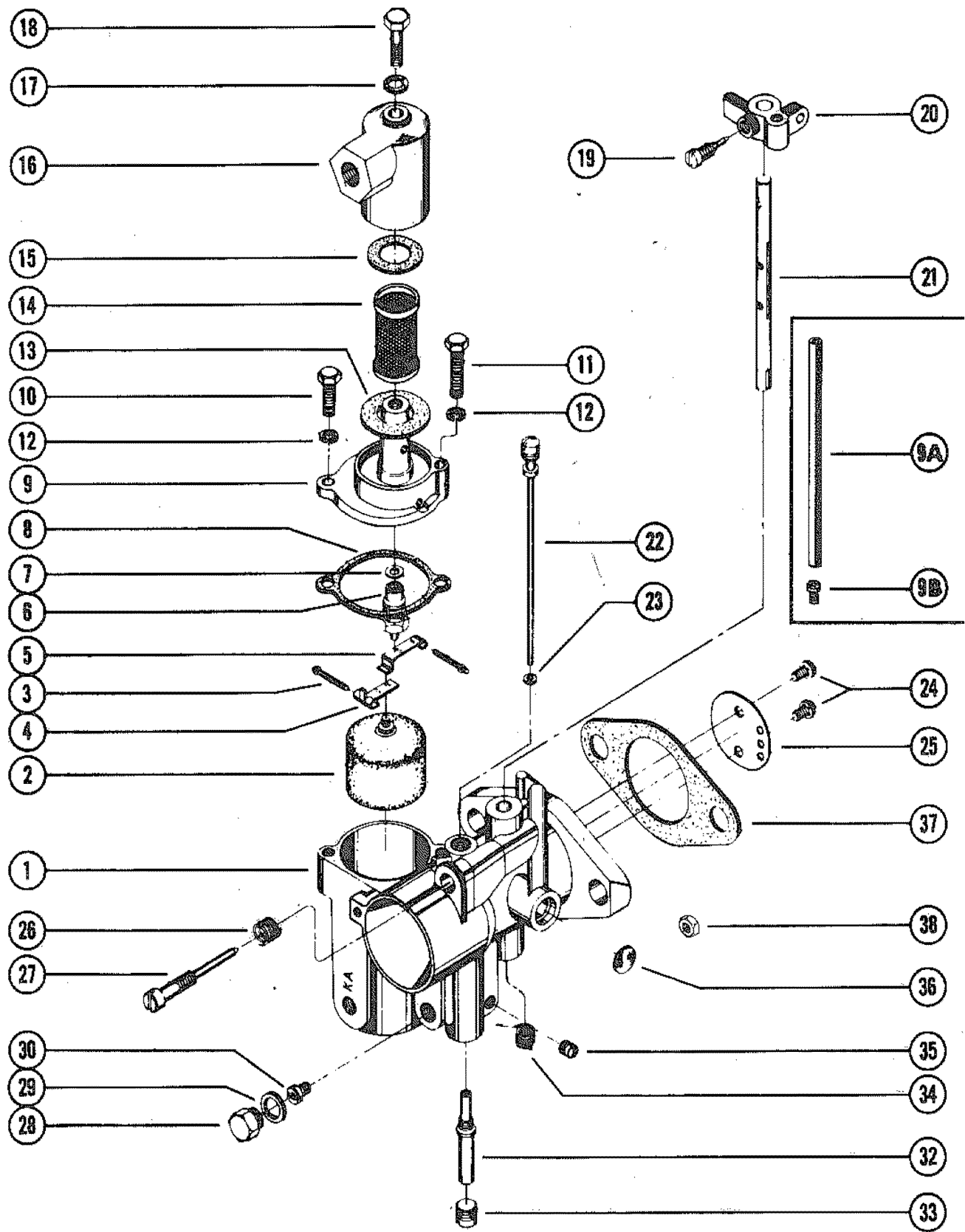
CARBURETOR LINKAGE AND CHOKE SOLENOID



CARBURETOR LINKAGE AND CHOKE SOLENOID

REF. NO.	PART NO.	SYM.	QTY.	DESCRIPTION
1	54293A5		1	CHOKE SOLENOID-ELECTRIC
2	13-26996		1	LOCKWASHER, CHOKE SOLENOID TERMINAL ELECTRIC
3	11-68219		1	NUT, CHOKE SOLENOID TERMINAL ELECTRIC
4	10-26066		2	SCREW, CHOKE SOLENOID TO FRONT BRACKET ELECTRIC
5	13-26993		2	LOCKWASHER, CHOKE SOLENOID SCREW ELECTRIC
6	11-22053		2	NUT, CHOKE SOLENOID SCREW ELECTRIC
7	54283A2		1	PLUNGER AND LINK ASSEMBLY, CHOKE SOLENOID ELECTRIC
8	12-46101		1	WASHER, PLUNGER AND LINK ELECTRIC
9	18-26953		1	COTTER PIN, LINK TO UPPER CHOKE SHUTTER ELECTRIC
10	1333-5818		2	CARBURETOR ASSEMBLY, COMPLETE UNITED STATES 4141000 THRU 4280269 AUSTRALIA 8029515 THRU 8030089 BELGIUM 9082514 THRU 9100588 CANADA 7051983 THRU 7060607
	1333-5921		2	CARBURETOR ASSEMBLY, COMPLETE UNITED STATES 4280270 AND UP AUSTRALIA NONE BUILT BELGIUM 9100589 AND UP CANADA 7060608 AND UP
11	56498		2	CLUSTER, THROTTLE LEVER (UPPER CARB.)
12	10-20847		1	SCREW, CLUSTER TO THROTTLE LEVER
13	53719A2		1	PICK-UP BRACKET ASSEMBLY
13A	53665		1	INSET COUPLING, THROTTLE SHAFT
14	10-53651		1	SCREW, PICK-UP BRACKET (3/4")
15	22463		1	KNOB, CHOKE ROD
16	25-20116		1	GROMMET, CHOKE KNOB
17	22462		1	"U" LINK, CHOKE ROD TO CHOKE KNOB (MANUAL)
	46303		1	"U"LINK, CHOKE ROD TO CHOKE KNOB (ELECTRIC)
18	10-69022		1	SCREW, "U" LINK TO CHOKE KNOB
19	13-26996		1	LOCKWASHER, "U" LINK SCREW
20	18-27769		1	COTTER PIN, "U" LINK TO CHOKE ROD
21	47958		1	ROD, CHOKE(MANUAL)
	46304		1	ROD, CHOKE(ELECTRIC)
22	17-25391		2	RIVET, CHOKE SHUTTER TO CHOKE ROD
23	24-28965		1	SPRING, TENSION - CHOKE ROD TO CARBURETOR
24	10-28713		1	SCREW, TENSION SPRING TO CARBURETOR
25	27711		1	RETAINER, SPRING
26	38604		2	SHUTTER, CHOKE - CARBURETOR
27	23-30438		1	BUSHING, NYLON - UPPER CHOKE SHUTTER(ELECTRIC)
28	16-69036		2	STUD, CARBURETOR - CHOKE SHUTTER PIVOT (1 3/8")
29	12-30164		2	WASHER, CHOKE SHUTTER CARBURETOR STUD
30	11-20110		2	NUT, CHOKE SHUTTER TO CARBURETOR STUD
31	35-56197		2	SCREEN, FILTER - CARBURETOR
32	16-69037		2	STUD, FILTER SCREEN TO CARBURETOR (1 1/8")
33	12-30164		2	WASHER, FILTER SCREEN STUD
34	11-20110		2	NUT, FILTER SCREEN STUD

CARBURETOR ASSEMBLY, COMPLETE

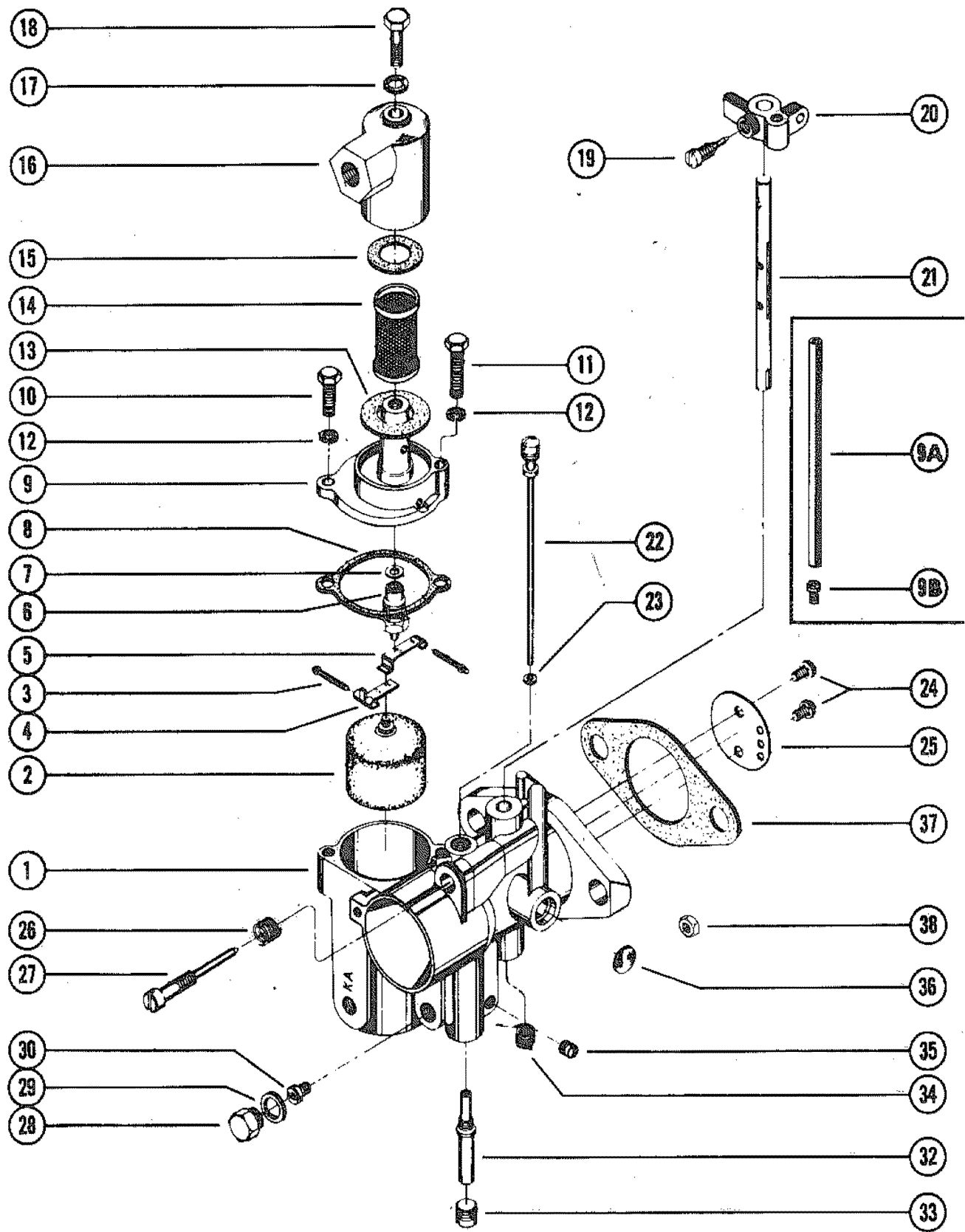


CARBURETOR ASSEMBLY, COMPLETE

REF. NO.	PART NO.	SYM.	QTY.	DESCRIPTION
1	1333-5818		2	CARBURETOR ASSEMBLY, COMPLETE UNITED STATES 4141000 THRU 4280269 AUSTRALIA 8029515 THRU 8030089 BELGIUM 9082514 THRU 9100588 CANADA 7051983 THRU 7060607
	1333-5921		2	CARBURETOR ASSEMBLY, COMPLETE UNITED STATES 4280270 AND UP AUSTRALIA NONE BUILT BELGIUM 9100589 AND UP CANADA 7060608 AND UP
2	1399-110A1		2	FLOAT ASSEMBLY
3			4	PIN, FLOAT LEVER PINION
4			2	LEVER, FLOAT (LOWER)
5			2	LEVER, FLOAT (UPPER)
6	1399-1473		2	INLET NEEDLE, SEAT AND GASKET
7			2	GASKET, INLET SEAT
8			2	GASKET, FLOAT BOWL COVER
9	1399-1133		2	COVER, FLOAT BOWL UNITED STATES 4141000 THRU 4280269 AUSTRALIA 8029515 THRU 8030089 BELGIUM 9082514 THRU 9100588 CANADA 7051983 THRU 7060607
	1399-6223		2	COVER, FLOAT BOWL UNITED STATES 4280270 AND UP AUSTRALIA NONE BUILT BELGIUM 9100589 AND UP CANADA 7060608 AND UP
9A			2	HOSE, ECONOMIZER UNITED STATES 4280270 AND UP AUSTRALIA NONE BUILT BELGIUM 9100589 AND UP CANADA 7060608 AND UP
9B	1399-6126		2	JET, ECONOMIZER (.086) UNITED STATES 4280270 AND UP AUSTRALIA NONE BUILT BELGIUM 9100589 AND UP CANADA 7060608 AND UP
10	10-52195		2	SCREW, FLOAT BOWL COVER (SHORT)
11	10-52196		2	SCREW, FLOAT BOWL COVER (LONG)
12	13-26995		4	LOCKWASHER, FLOAT BOWL COVER SCREW
13	27-25851		2	GASKET, STRAINER COVER (LARGE)
14	1399-3938		2	SCREEN, FILTER
15	27-25849		2	GASKET, STRAINER COVER (SMALL)
16	1399-1135		2	COVER, STRAINER
17			2	GASKET, STRAINER COVER SCREW
18			2	SCREW, STRAINER COVER FASTENING
19	10-20847		2	SCREW, THROTTLE STOP LEVER
20	1399-94		2	LEVER, THROTTLE STOP(SEE NOTE BELOW)
21	1399-2012		2	SHAFT, THROTTLE
22			2	TUBE, IDLE
23			2	GASKET, IDLE TUBE
24			4	SCREW AND LOCKWASHER, THROTTLE SHUTTER
25	1399-3392		2	SHUTTER, THROTTLE UNITED STATES 4141000 THRU 4280269 AUSTRALIA 8029515 THRU 8030089 BELGIUM 9082514 THRU 9100588 CANADA 7051983 THRU 7060607
	1399-5812		2	SHUTTER, THROTTLE UNITED STATES 4280270 AND UP AUSTRALIA NONE BUILT BELGIUM 9100589 AND UP CANADA 7060608 AND UP
26			2	SPRING, IDLE ADJUSTMENT SCREW

CONTINUED ON NEXT PAGE ➡

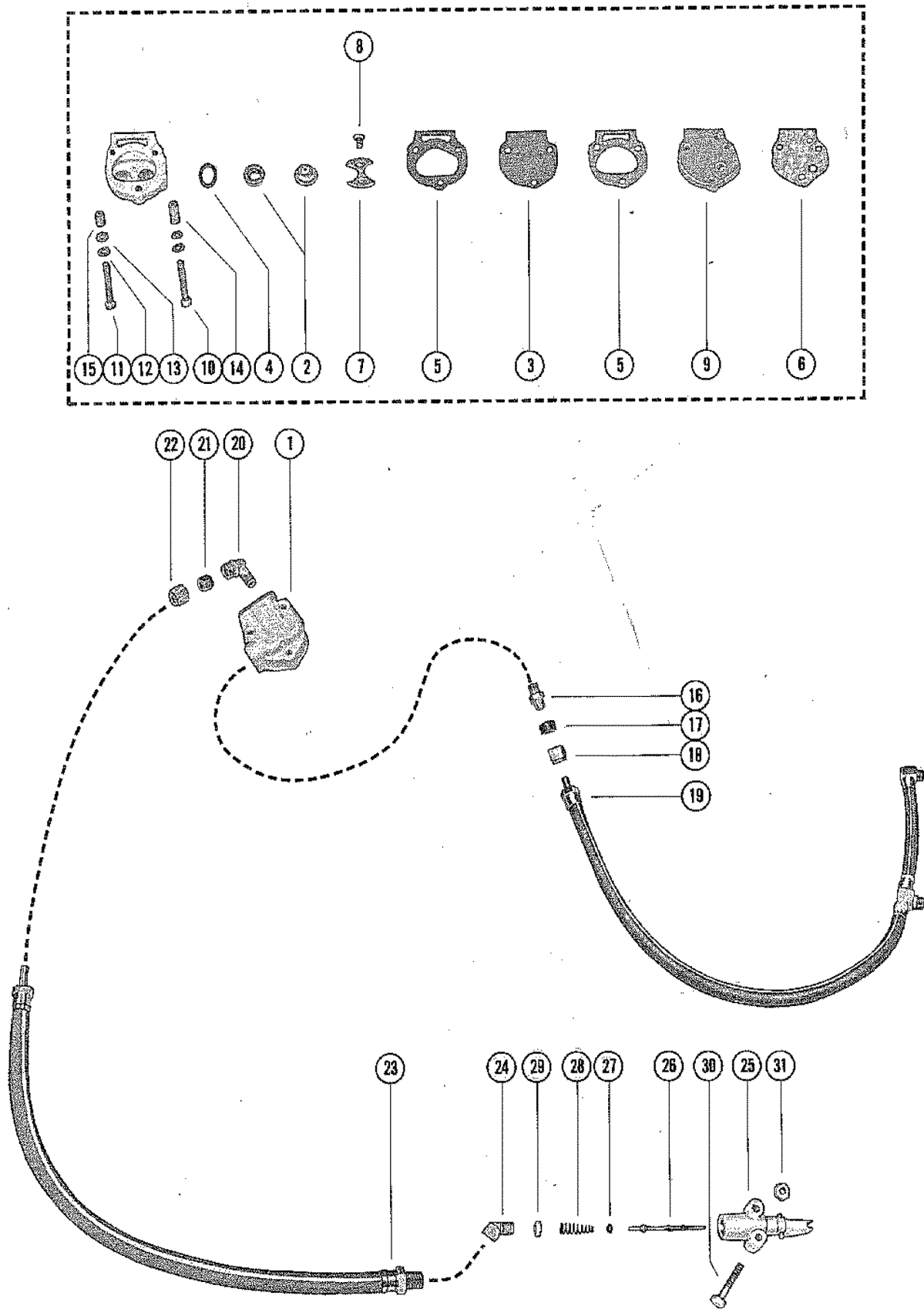
CARBURETOR ASSEMBLY, COMPLETE



CARBURETOR ASSEMBLY, COMPLETE

REF. NO.	PART NO.	SYM.	QTY.	DESCRIPTION
27			2	SCREW, IDLE ADJUSTMENT
28	10-28405		2	SCREW, PLUG - MAIN FUEL JET CHANNEL
29			2	GASKET, JET CHANNEL PLUG SCREW
30	1399-1465		OPT.	JET, MAIN FUEL (.065) - STANDARD UNITED STATES 4280270 AND UP AUSTRALIA NONE BUILT BELGIUM 9100589 AND UP CANADA 7060608 AND UP
	1399-1465		2	JET, MAIN FUEL (.063) - STANDARD UNITED STATES 4141000 THRU 4280269 AUSTRALIA 8029515 THRU 8030089 BELGIUM 9082514 THRU 9100588 CANADA 7051983 THRU 7060607
	1399-1461		OPT.	JET, MAIN FUEL (.061)
	1399-1459		OPT.	JET, MAIN FUEL (.059)
32			2	NOZZLE, MAIN
33	10-23178		2	SCREW, PLUG - MAIN NOZZLE
34			1	SPRING, THROTTLE SHAFT RETURN
35	28845		2	SCREW, PLUG - BODY CHANNEL
36			2	WELCH PLUG, BODY CHANNEL
-	1399-5929		2	GASKET AND PAKCING SET (1 PER CARBURETOR)
-	1399-5413		2	REPAIR PARTS KIT (1 PER CARBURETOR) UNITED STATES 4141000 THRU 4280269 AUSTRALIA 8029515 THRU 8030089 BELGIUM 9082514 THRU 9100588 CANADA 7051983 THRU 7060607
-	1399-5930		2	REPAIR PARTS KIT (1 PER CARBURETOR) UNITED STATES 4280270 AND UP AUSTRALIA NONE BUILT BELGIUM 9100589 AND UP CANADA 7060608 AND UP
37	27-31402		2	GASLET. CARBURETOR FLANGE
38	11-46793		4	NUT, CARBURETOR MOUNTING STUD

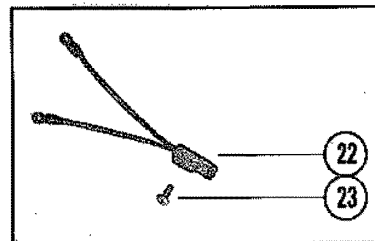
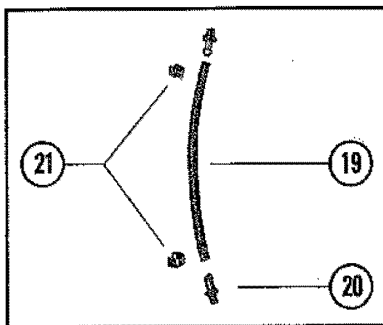
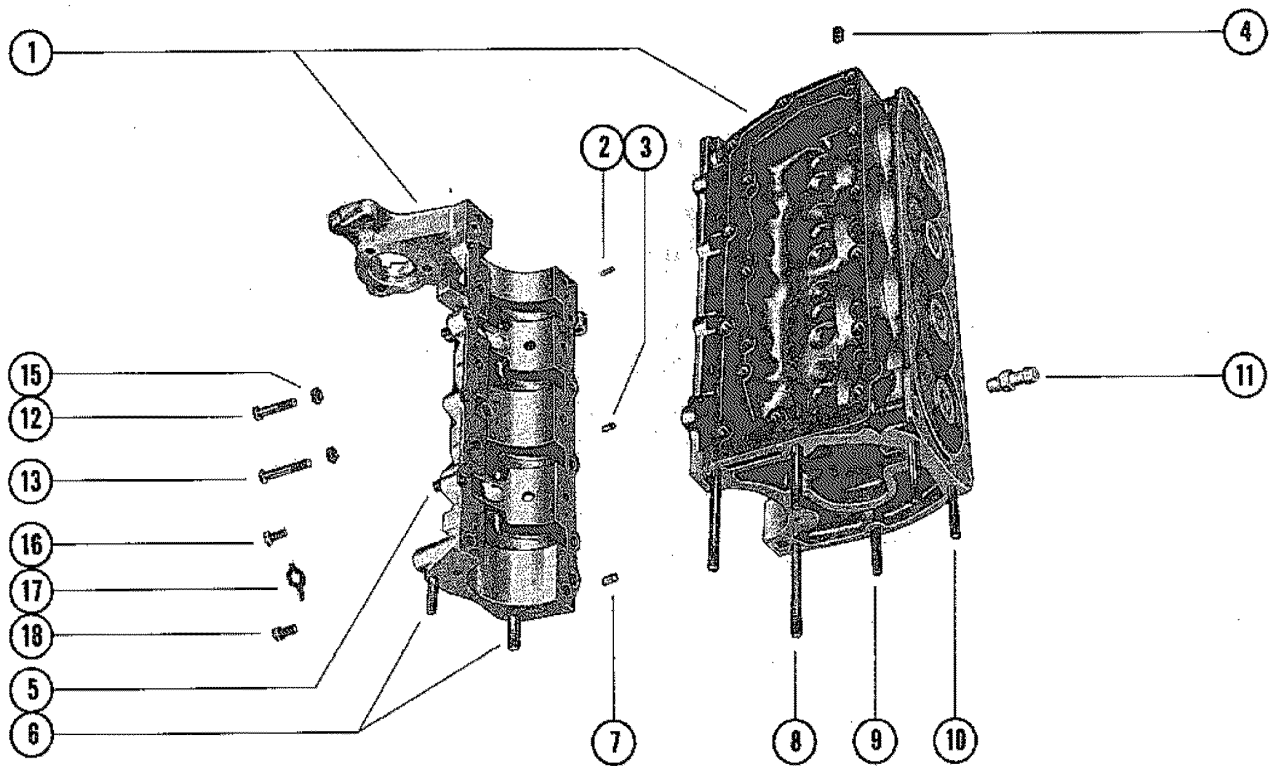
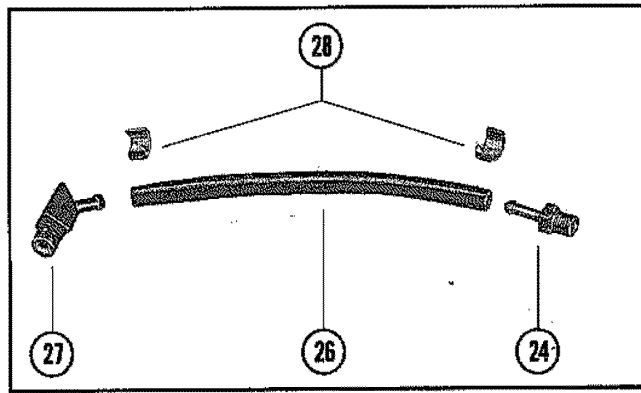
FUEL PUMP ASSEMBLY



FUEL PUMP ASSEMBLY

REF. NO.	PART NO.	SYM.	QTY.	DESCRIPTION
1	66777A1		1	FUEL PUMP ASSEMBLY
2	21-30430A1		1	CHECK VALVE ASSEMBLY
3	23014A1		1	DIAPHRAGM KIT
4			2	GASKET, CHECK VALVE TO HOUSING
5			2	GASKET, FUEL PUMP
6			1	GASKET, FUEL PUMP COVER
7	23004		1	RETAINER, CHECK VALVE
8	68789		2	SCREW, RETAINER TO HOUSING
9	64710		1	COVER, FUEL PUMP
10	10-66944		2	SCREW, FUEL PUMP MOUNTING (2 1/8")
11	10-30173		1	SCREW, FUEL PUMP MOUNTING (1 5/8")
12	12-20128		3	WASHER, FUEL PUMP SCREW
13	12-66553		3	WASHER, FUEL PUMP SCREW
14	23-65790		2	BUSHING, GUEL PUMP SCREW
15	23-31915		1	SLEEVE, FUEL PUMP SCREW
16	22-22949		1	CONNECTOR, PUMP OUTLET TO FUEL LINE
17	22-22946		2	SLEEVE, RUBBER - CONNECTOR
18	22-22948		2	NUT, CONNECTOR TO FUEL LINE
19	32-32094		1	FUEL LINE, PUMP TO LOWER AND UPPER FILTER
20	22-22995		1	ELBOW FUEL PUMP INLET
21	22-22947		1	SLEEVE, RUBBER
22	22-22948		1	NUT, ELBOW
23	32-30036		1	FUEL LINE, FUEL PUMP TO ADAPTOR
24	22-37682		1	CONNECTOR, FUEL LINE TO ADAPTOR
25	22833		1	ADAPTOR, CHECK UNIT (FUEL LINE)
26	23069		1	STEM, CHECK UNIT ADAPTOR
27	25-20415		1	"O" RING, ADAPTOR STEM
28	24-23067		1	SPRING, ADAPTOR STEM
29	30188		1	CUP WASHER, ADAPTOR
30	10-69029		2	SCREW, ADAPTOR TO BOTTOM COWL (1 3/4")-MANUAL
	10-67916		2	SCREW, ADAPTOR TO BOTTOM COWL (2")-ELECTRIC
31	11-46887		2	NUT, ADAPTOR SCREW

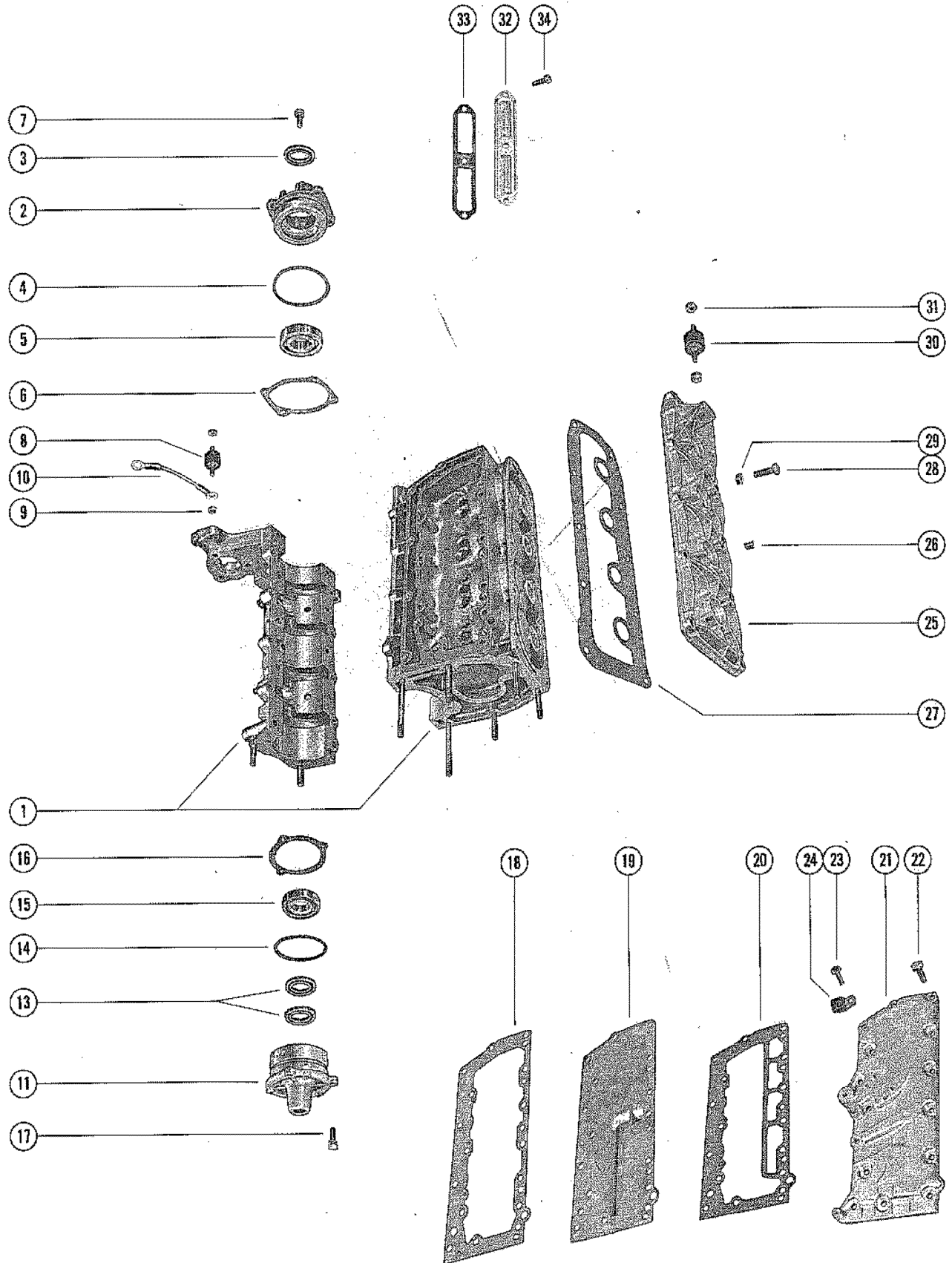
CYLINDER BLOCK AND CRANKCASE ASSEMBLY



CYLINDER BLOCK AND CRANKCASE ASSEMBLY

REF. NO.	PART NO.	SYM.	QTY.	DESCRIPTION
1	831-5347A3		1	CYLINDER BLOCK AND CRANKCASE ASSEMBLY
2	17-20032		2	DOWEL PIN, CYLINDER BLOCK TO MAIN BEARING
3	17-20323		1	DOWEL PIN, CYLINDER BLOCK TO CENTER MAIN BEARING
4	22-32802		2	PLUG, PIPE - WATER PRESSURE AND BALANCE TUBE HOLES
5	16-68164		4	STUD, CARBURETOR MOUNTING (1 1/4")
6	16-68165		2	STUD, CRANKCASE TO DRIVE SHAFT HOUSING (1 9/16")
7	17-20033		2	DOWEL PIN, CRANKCASE TO CYLINDER BLOCK
8	16-68168		2	STUD CYL. BLOCK TO DRIVE SHAFT HOUSING (3 11/16")
9	16-68166		2	STUD, CYL. BLOCK TO DRIVE SHAFT HOUSING 3 5/16")
10	16-68167		2	STUD, CYL. CLOCK TO DRIVE SHAFT HOUSING (1 15/16")
11	22-29111		1	CONNECTOR, WATER TELL TALE HOLE - CYLINDER BLOCK
12	10-69097		13	SCREW, CRANKCASE TO CYLINDER BLOCK (1 1/2")
	10-69091		1	SCREW, CRANKCASE TO CYLINDER BLOCK (1 5/8")
13	10-69089		4	SCREW, CRANKCASE TO CYLINDER BLOCK (2 3/4")
15	11-46793		18	NUT, CRANKCASE SCREW
16	10-26801		2	SCREW, MAIN BEARING LOCKING (5/8")
17	14-20091		3	TAB WASHER, BEARING LOCKING SCREW
18	10-20359		1	SCREW, CENTER MAIN BEARING LOCKING (1")
19	32-34395A1		1	TUBE, BALANCE - MAIN BEARING (8")
20	22-29111		2	CONNECTOR, BALANCE TUBE TO CYLINDER BLOCK
21	54-20386		2	CLAMP, BALANCE TUBE TO CONNECTORS
22	58124A8		1	SWITCH ASSEMBLY, MERCURY
23	10-48408		1	SCREW, MERCURY SWITCH TO EXH. MANIFORLD COVER (1/2")
24	21-64871A2		1	CHECK VALVE ASSEMBLY, BLEED HOSE (UPPER)
26	32-54936		1	HOSE, CYLINDER BLEED
27	22-65857		1	CONNECTOR, CYLINDER BLEED HOSE (LOWER)
28	54-20387		4	CLAMP, BLEED HOSE ATTACHING

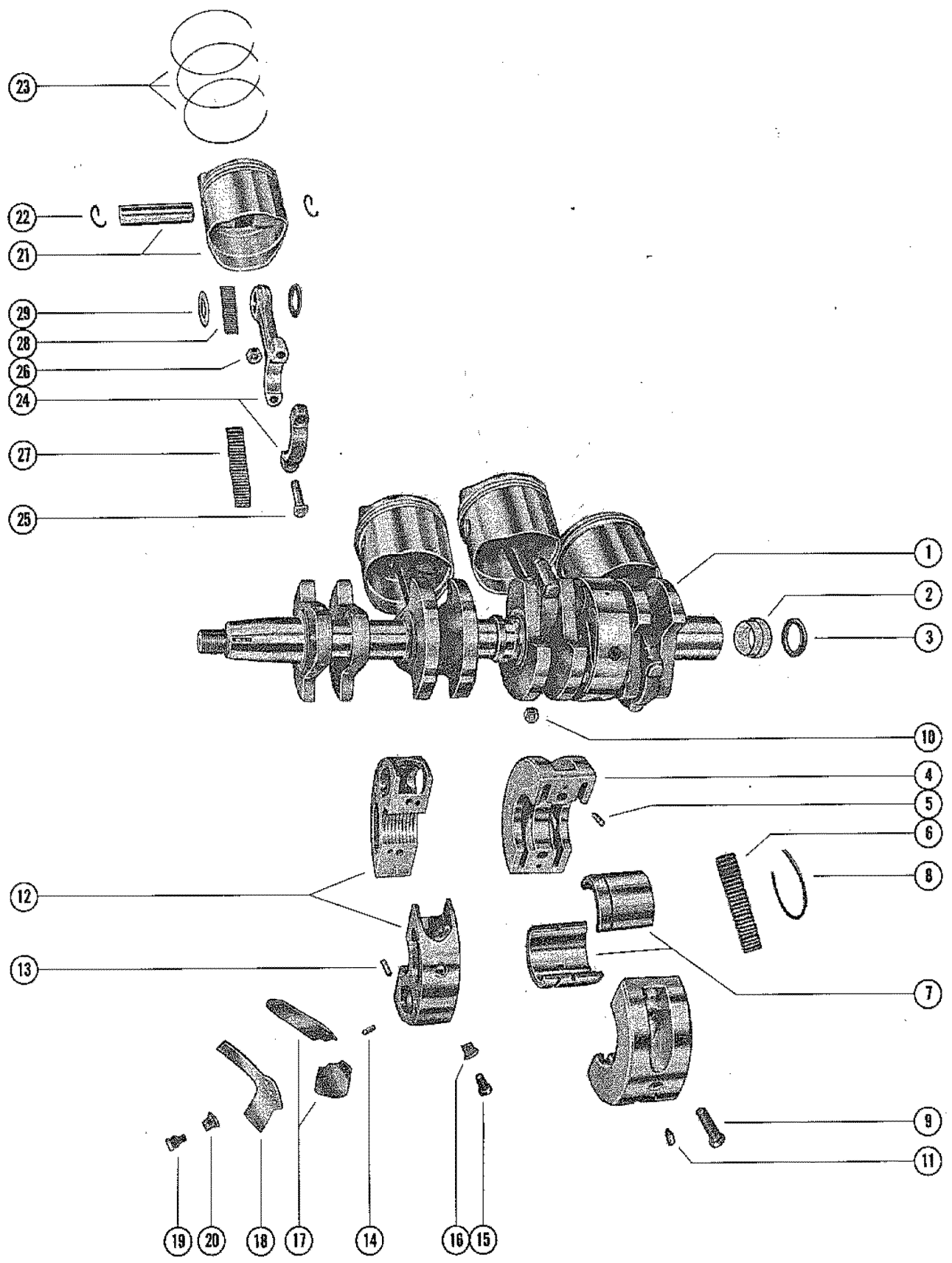
END CAPS, MANIFOLD AND EXHAUST COVERS



END CAPS, MANIFOLD AND EXHAUST COVERS

REF. NO.	PART NO.	SYM.	QTY.	DESCRIPTION
1	831-5347A3		1	CYLINDER BLOCK AND CRANKCASE ASSEMBLY (SEE PAGE 19 FOR PARTS)
2	1100-3281A1		1	END CAP ASSEMBLY, UPPER
3	26-29476		1	OIL SEAL
4	25-20081		1	"O" RING, UPPER END CAP
5	30-20080		1	BALL BEARING, UPPER END CAP
6	15-20082A1		AR	SHIM, UPPER END CAP TO CYL. BLOCK/CRANKCASE (.002-3-5-10)
7	10-29256		4	SCREW, UPPER END CAP MONTING (7/8")
8	37639		2	MOUNT, RUBBER - CRANKCASE
9	11-46887		4	NUT, CRANKCASE RUBBER MOUNT
10	37996		1	GROUND STRAP, CRANKCASE MOUNT
11	1158-5302A1		1	END CAP ASSEMBLY, LOWER
13	26-29476		2	L, LOWER END CAP
14	25-20081		1	"O" RING, LOWER END CAP
15	30-20080		1	BALL BEARING, LOWER END CAP
16	15-20085A1		AR	SHIM, LOWER END CAP TO CRANKCASE/BYL. BLOCK (.002-3-5-10)
17	10-29256		3	SCREW, LOWER END CAP MOUNTING (7/8")
18	27-46110		1	GASKET, CYLINDER BLOCK TO BAFFLE PLATE
19	46109		1	PLAT, BAFFLE - EXJAUST MANIFOLD
20	27-46111		1	GASKET, BAFFLE PLATE TO EXHAUST COVER
21	46112		1	COVER, EXHUAST MANIFOLD
22	10-37562		12	SCREW, MANIFOLD COVER TO CYL. BLOCK (1")
23	10-38837		3	SCREW, MANIFOLD COVER TO CYL. BLOCK - CLIP (1 1/8")
24	54-52905		2	CLIP, HIGH TENSION LEAD
25	1017-4002A1		1	COVER ASSEMBLY, CYLINDER BLOCK
26	22-32802		1	PLUG, PIPE - CYLINDER BLOCK COVER
27	27-37816		1	GASKET, CYLINDER BLOCK COVER
28	10-20653		10	SCREW, CYLINDER BLOCK COVER MOUNTING (1")
29	87-		10	NUT, COVER MOUNTING SCREW
30	37639		1	MOUNT, RUBBER - CYLINDER BLOCK COVER
31	11-46887		2	NUT CYLINDER BLOCK COVER RUBBER MOUNT
32	27935		2	COVER, TRANSFER PORT
33	27-27936		2	GASKET, TRANSFER PORT COVER
34	10-20540		6	SCREW, TRANSFER PORT COVER MOUNTING (5/8")

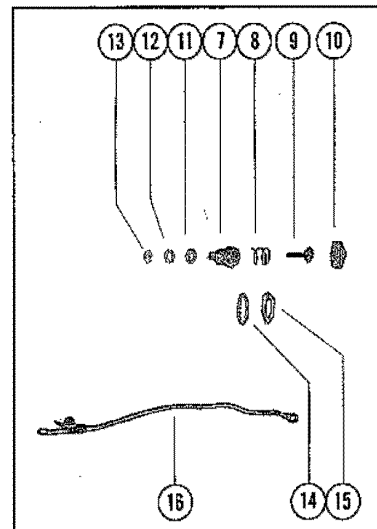
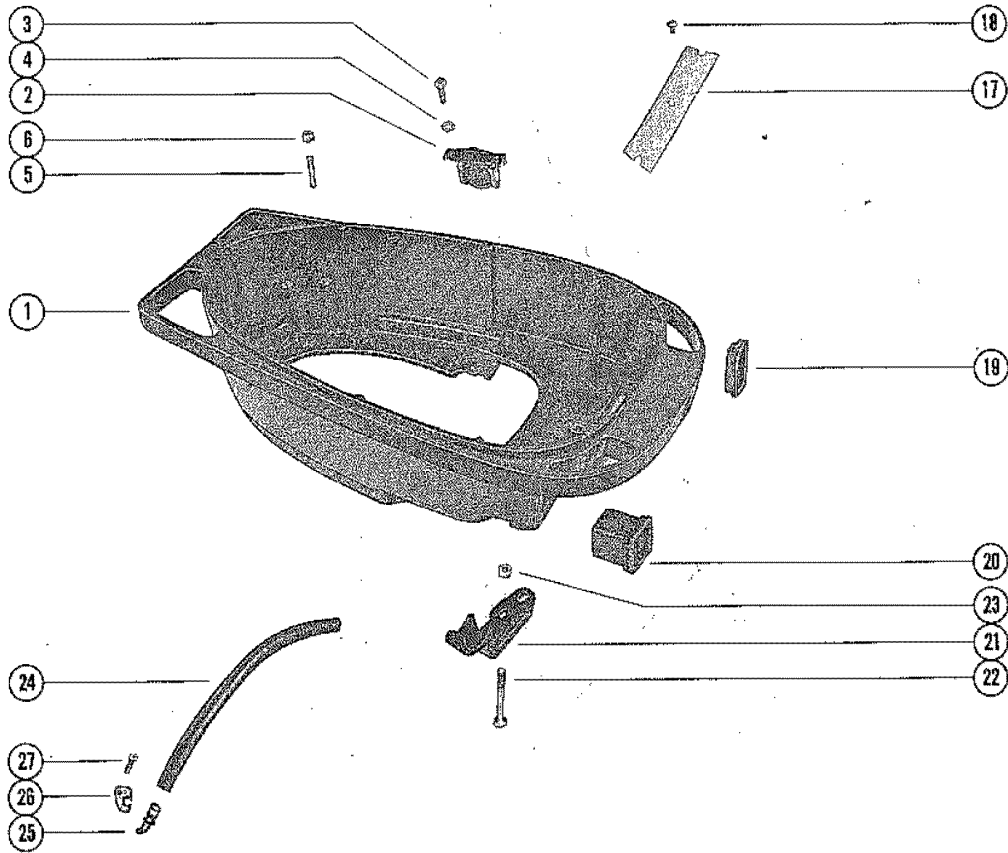
CRANKSHAFT, PISTON AND CONNECTING ROD



CRANKSHAFT, PISTON AND CONNECTING ROD

REF. NO.	PART NO.	SYM.	QTY.	DESCRIPTION
1	400-4627		1	CRANKSHAFT
2	60834A3		1	CARROER ASSEMBLY, "O" RING
3	64254		1	"O" RING, CARRIER
4	500-5345A2		1	CENTER MAIN BEARING ASSEMBLY
5	17-20032		2	DOWEL PIN, CENTER MAIN BEARING
6	29-20046		28	BEARING, NEEDLE
7	20047		1	RACE, OUTER
8	53-20048		1	RING, SNAP - OUTER RACE CLAMPING
9	10-20784		2	SCREW, CENTER MAIN VEARING CLAMPING (1 1/2")
10	11-46887		2	NUT, CENTER MAIN BEARING CLAMPING SCREW
11	17-20379		1	DOWEL PIN, (STEPPED)
12	534-3267A18		2	MAIN BEARING ASSEMBLY (VALVE TYPE)
13	17-20032		4	DOWEL PIN, MAIN BEARING
14	17-65855		16	DOWEL PIN, REED LOCATING
15	10-45775		4	SCREW, MAIN BEARING CLAMPING (9/16")
16	11-45774		4	NUT, MAIN BEARING CLAMPING SCREW
17	34-56704A1		2	REED SET, MATCHED - MAIN BEARING
18	64-20053		8	REED STOP, MAIN BEARING REED VALVES
19	10-53481		8	SCREW, REED STOP MOUNTING (9/16")
20	11-20110		8	NUT, REED STOP MOUNTING SCREW
21	743-5172A6		4	PISTON AND PISTON PIN ASSEMBLY
22	40-47276		8	LOCK RING, PISTON PIN
23	39-27841A12		1	RING, PISTON
24	619-3195A2		4	CONNECTING ROD AND CAN ASSEMBLY
25	10-45379		8	SCREW, CAP TO CONNECTING ROD
26	11-20061		8	NUT, CONNECTING ROD SCREW
27	29-20046		100	BEARING, NEDDLE - CRANKPIN
28	29-20063		108	BEARING, NEEDLE-PISONT PIN
29	12-47275		8	WASHER, NEEDLE LOCATING
-	743-3366A2		4	PISOTN AND PISTON PIN ASSEMBLY (.015 OVERSIZE) OVERSIZE PISTON AND RING
-	39-28616A12		1	RING, PISTON (.015 OVERSIZE) OVERSIZE PISTON AND RING

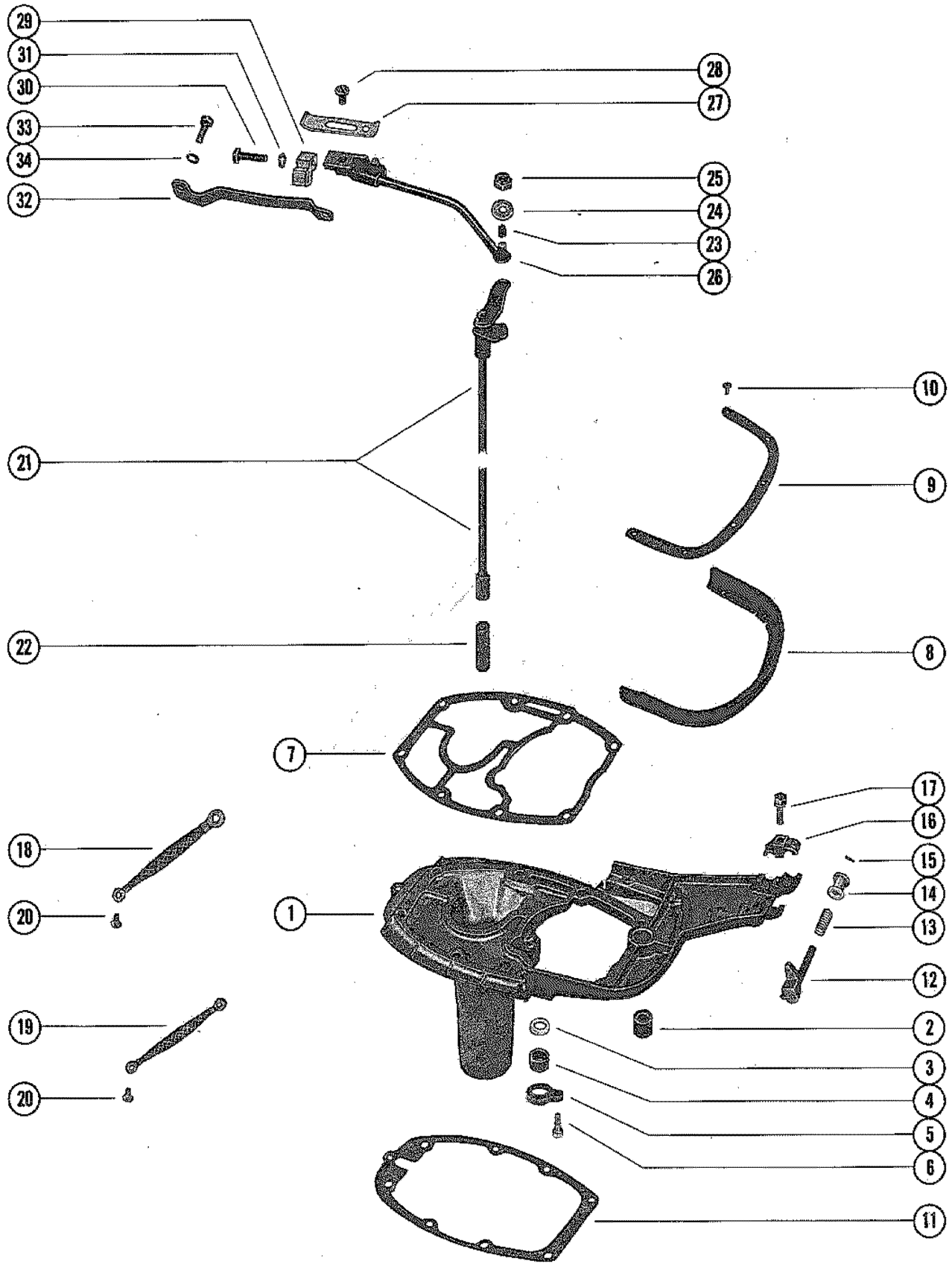
BOTTOM COWL ASSEMBLY



BOTTOM COWL ASSEMBLY

REF. NO.	PART NO.	SYM.	QTY.	DESCRIPTION
1	2116-5761A1		1	BOTTOM COWL ASSEMBLY
2	57786		1	COVER, PLUG - BOTTOM COWL HARNESS HOLE REMOVE - NOT REQUIRED ON ELECTRIC ENGINE
3	10-45862		2	SCREW, PLUG COVER TO BOTTOM COWL REMOVE - NOT REQUIRED ON ELECTRIC ENGINE
4	13-26996		2	LOCKWASHER, PLUG COVER SCREW REMOVE - NOT REQUIRED ON ELECTRIC ENGINE
-	12-20128		2	WASHER, PLUG COVER SCREW REMOVE - NOT REQUIRED ON ELECTRIC ENGINE
5	16-68169		4	STUD, BOTTOM COWL TO REAR SUPPORT BRACKET
6	11-35888		4	NUT, BOTTOM COWL STUD
7	59065A4		1	STOP SWITCH ASSEMBLY MANUEL MANUAL
8	24-60239		1	SPRING, STOP SWITCH MANUAL
9	87-61577A1		1	CONTACT ASSEMBLY, STOP SWITCH MANUAL
10	38950A1		1	COVER ASSEMBLY, STOP SWITCH MANUAL
11	12-59061		1	WASHER, STOP SWITCH MANUAL
12	13-26996		1	LOCKWASHER, STOP SWITCH MANUAL
13	11-20645		1	NUT, GROUND LEAD TO STOP SWITVH MANUAL
14	13-21972		1	LOCKWASHER, CONNECTOR BASE MANUAL
15	11-21971		1	NUT, CONNECTOR BASE TO BOTTOM COWL MANUAL
16	56319A5		1	WIRE, SWITCH BOX TO STOP SWITCH MANUAL
17	60948A1		1	COVER PLATE ASSEMBLY
18	10-62568		3	SCREW, COVER PLATE TO BOTTOM COWL (3/8")
19	37695		1	BOOT, CONTROL CABLE
20	37637		1	BOOT, FUEL CONNECTOR
21	37692		1	SUPPORT, EXTERNAL WIRING HARNESS ELECTRIC ELECTRIC
22	10-67916		2	SCREW, HARNESS SUPPORT TO BOTTOM COWL (2") ELECTRIC
23	11-46887		2	NUT, HARNESS SUPPORT SCREW ELECTRIC
24	32-26407		1	HOSE, TELL TALE HOSE TO BOTTOM COWL
25	69791		1	NOZZLE, TELL TALE HOSE TO BOTTOM COWL
26	66849		1	CLAMP, NOZZLE - TELL TALE
27	10-48408		1	SCREW, NOZZLE CLAMP TO BOTTOM COWL (1/2")

EXHAUST EXTENSION PLATE AND SHIFT LINKAGE

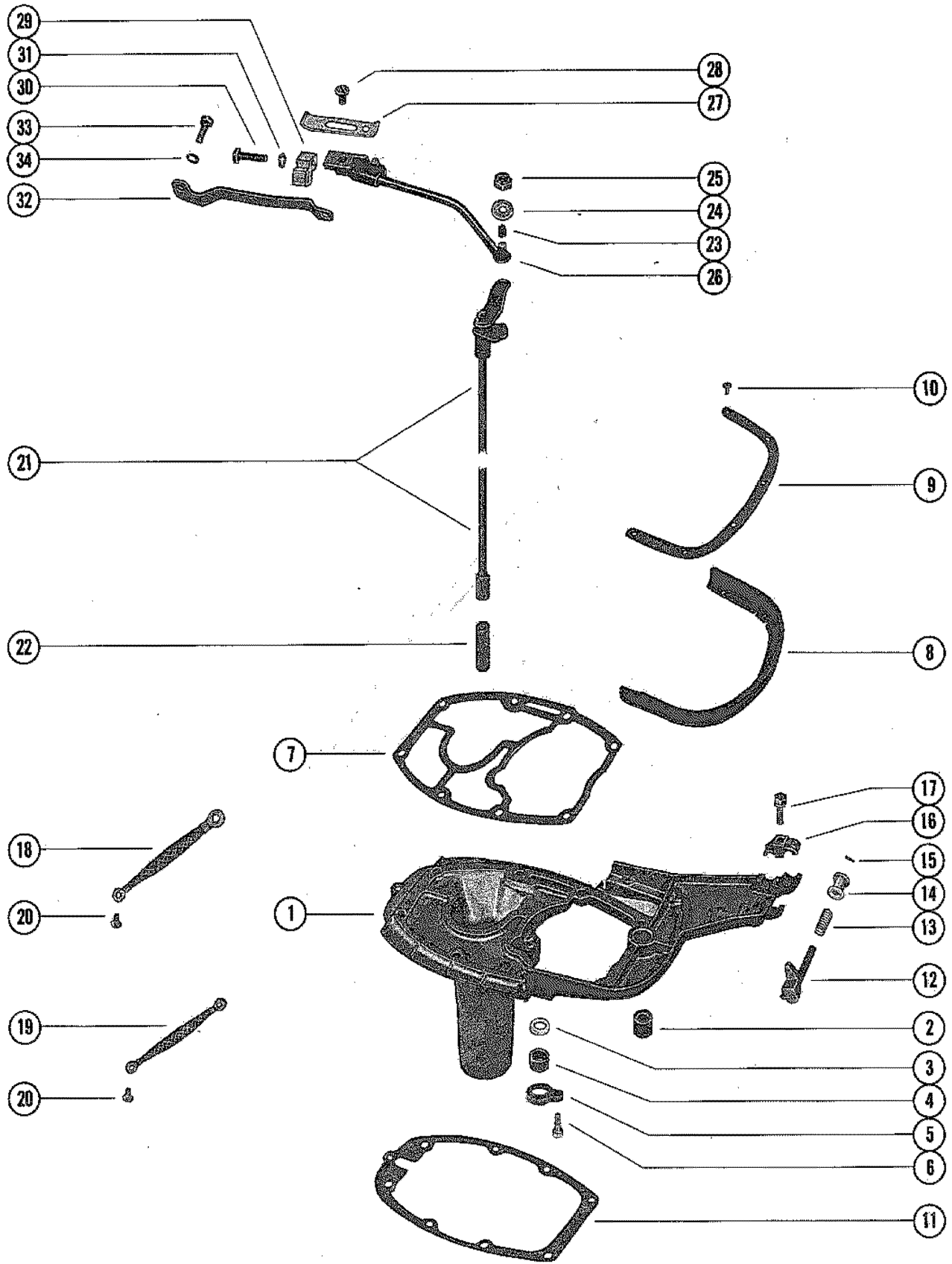


EXHAUST EXTENSION PLATE AND SHIFT LINKAGE

REF. NO.	PART NO.	SYM.	QTY.	DESCRIPTION
1	70287A3		1	PLATE ASSEMBLY, EXHAUST EXTENSION
	23-27132		1	BUSHING, EXHAUST EXTENSION PLATE
3	12-38453		1	WASHER, NYLON - WATER INLET TUBE
4	26-38452		1	SEAL, RUBBER - WATER TUBE
5	38500		1	RETAINER, WATER TUBE SEAL
6	10-69069		1	SCREW, RETAINER TO EXHAUST EXTENSION PLATE (3/4")
7	27-37725		1	GASKETT, POWERHEAD TO EXHAUST EXTENSION PLATE
8	38156		1	SEAL, RUBBER - EXHAUST EXTENSION PLATE
9	38155		1	STRIP, RUBBER SEAL RETAINING
10	10-37571		6	SCREW, RETAINING STRIP TO EXHAUST EXTENSION PLATE (1/2")
11	27-38501		1	GASKET, EXHAUST EXTENSION PLATE TO DRIVE SHAFT HOUSING
12	59037A2		1	LEVER, THROTTLE AND SHIFT CABLES
13	24-38005		2	SPRING, COMPRESSION - QUICK DISCONNECT LEVER
14	23-37927		2	BUSHING, NYLON - QUICK DISCONNECT LEVER
15	17-23928		2	PIN, ROLL - QUICK DISCONNECT LEVER
16	37926		1	RETAINER, NYLON BEARING TO EXHAUST EXTENSION PLATE
17	10-37923		1	SCREW, RETAINER TO EXHAUST EXTENSION PLATE (1 1/2")
18	46933A1		2	GROUND STRAP ASSEMBLY, CRANKCASE TO COWL (3 5/8")
19	46933A2		2	GROUND STRAP ASSEMBLY, HOUSING TO COWL (3 3/8")
20	10-62568		4	SCREW, GROUND STRAP (3/9" SELF TAPPING)
21	57244A3		1	SHIFT SHAFT ASSEMBLY, UPPER UNITED STATES 4141000 THRU 4280269 AUSTRALIA 8029515 THRU 8030089 BELGIUM 9082514 THRU 9100588 CANADA 7051983 THRU 7060607
	57244A4		1	SHIFT SHAFT ASSEMBLY, UPPER UNITED STATES 4141000 THRU 4280269 AUSTRALIA 8029515 THRU 8030089 BELGIUM 9082514 THRU 9100588 CANADA 7051983 THRU 7060607
22	55692		1	COUPLING, UPPER SHIFT SHAFT UNITED STATES 4141000 THRU 4280269 AUSTRALIA 8029515 THRU 8030089 BELGIUM 9082514 THRU 9100588 CANADA 7051983 THRU 7060607
23	23-26600		1	BUSHING, NYLON - UPPER SHIFT SHAFT UNITED STATES 4141000 THRU 4280269 AUSTRALIA 8029515 THRU 8030089 BELGIUM 9082514 THRU 9100588 CANADA 7051983 THRU 7060607
21	69548A1		1	SHIFT SHAFT ASSEMBLY, UPPER (SHORT SHAFT) UNITED STATES 4280270 AND UP AUSTRALIA NONE BUILT BELGIUM 9100589 AND UP CANADA 7060608 AND UP
	69549A1		1	SHIFT SHAFT ASSEMBLY, UPPER (LONG SHAFT) UNITED STATES 4280270 AND UP AUSTRALIA NONE BUILT BELGIUM 9100589 AND UP CANADA 7060608 AND UP
24	12-24664		1	WASHER, SHIFT CONTROL ACTUATOR
25	11-35045		1	NUT, SHIFT CONTROL ACUATOR TO UPPER SHIFT SHAFT
26	37948A5		1	ACTUATOR ASSEMBLY, SHIFT CONTROL UNITED STATES 4141000 THRU 4280269 AUSTRALIA 8029515 THRU 8030089 BELGIUM 9082514 THRU 9100588 CANADA 7051983 THRU 7060607

CONTINUED ON NEXT PAGE ➡

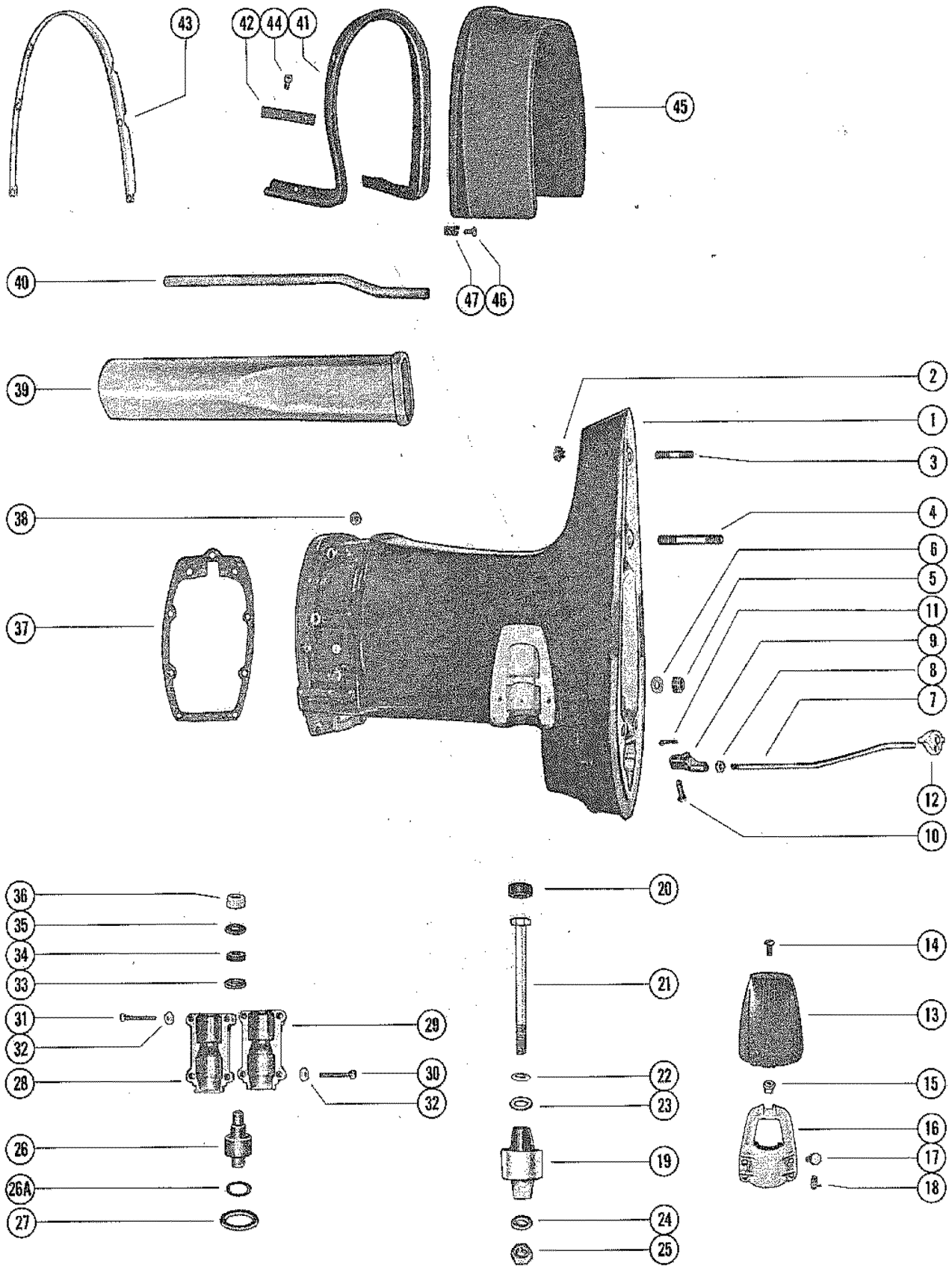
EXHAUST EXTENSION PLATE AND SHIFT LINKAGE



EXHAUST EXTENSION PLATE AND SHIFT LINKAGE

REF. NO.	PART NO.	SYM.	QTY.	DESCRIPTION
26	72854A3		1	ACTUATOR ASSEMBLY, SHIFT CONTROL UNITED STATES 4280270 AND UP AUSTRALIA NONE BUILT BELGIUM 9100589 AND UP CANADA 7060608 AND UP
27	24-37934		1	SPRING, SHIFT CABLE
28	10-38069		1	SCREW, SPRING TO ACTUATOR
29	37932		1	BEARING, NYLON - SHIFT CONTROL ACTUATOR
30	10-36137		1	SCREW, BEARING TO SHIFT CONTROL ACTUATOR (1")
31	13-21272		1	LOCKWASHER, BEARING SCREW
32	37935		1	RAIL, SHIFT CONTROL BEARING
33	10-69028		1	SCREW, RAIL TO EXHAUST MANIFOLD COVER (3/4")
34	13-26992		1	LOCKWASHER, RAIL SCREW

DRIVE SHAFT HOUSING ASSEMBLY

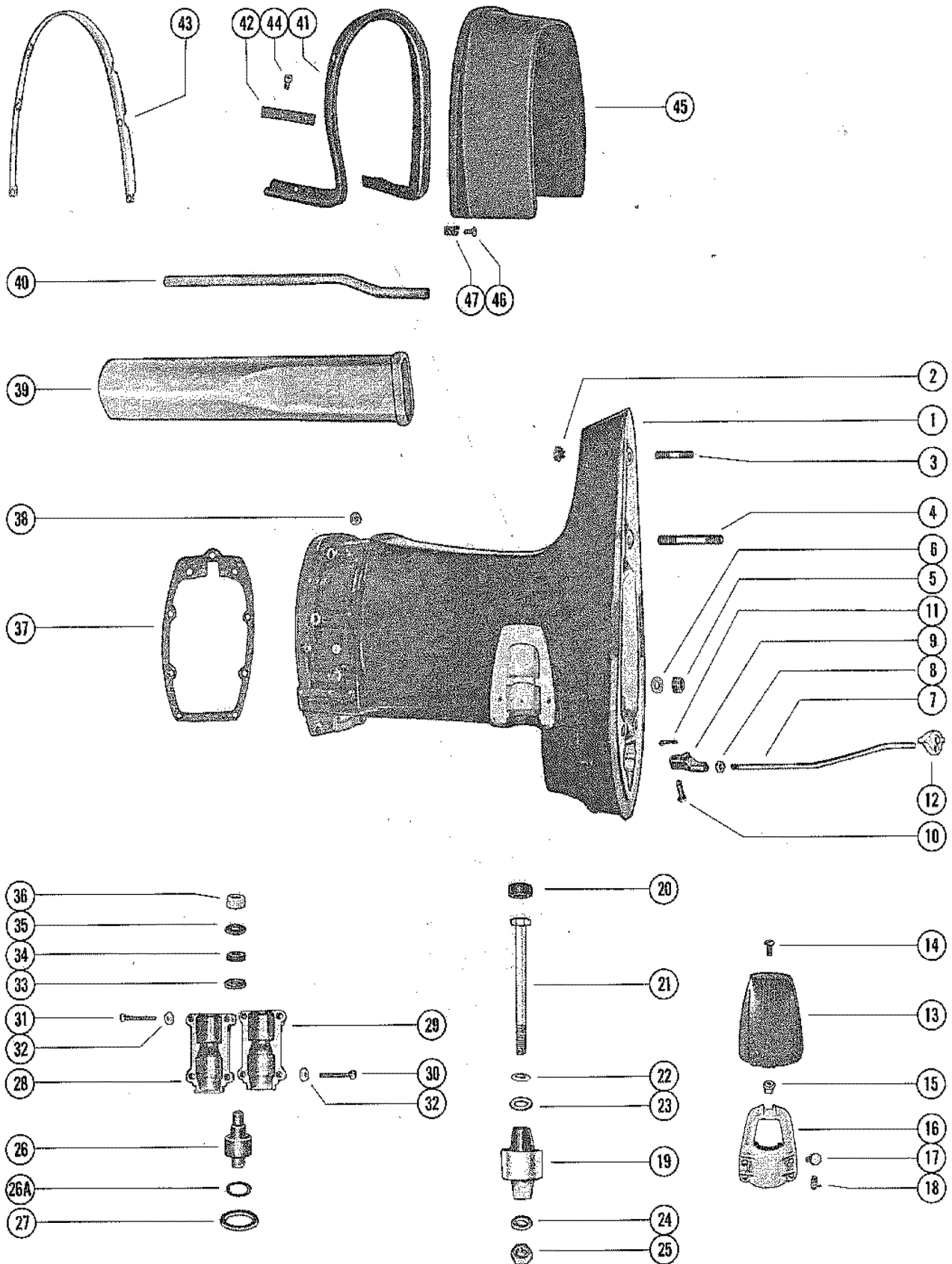


DRIVE SHAFT HOUSING ASSEMBLY

REF. NO.	PART NO.	SYM.	QTY.	DESCRIPTION
1	1554-4813A2		1	DRIVE SHAFT HOUSING ASSEMBLY (SHORT SHAFT)
	1564-4812A2		1	DRIVE SHAFT HOUSING ASSEMBLY (LONG SHAFT)
2	19-64649		1	PLUG, PLASTIC - TRIM TAB SCREW HOLE
3	16-57932		1	STUD, DRIVE SHAFT HOUSING TO GEAR HOUSING (1 3/4")
4	16-57935		1	STUD, DRIVE SHAFT HOUSING TO GEAR HOUSING (3")
5	11-34933		2	NUT, GEAR HOUSING TO DRIVE SHAFT HOUSING STUDS (7/16")
6	12-65791		2	WASHER, GEAR HOUSING TO DRIVE SHAFT HOUSING STUDS (7/16")
7	47835		1	ROD, PUSH - REVERSE LOCK (SHORT SHAFT)
	47836		1	ROD, PUSH - REVERSE LOCK (LONG SHAFT)
8	11-28770		1	NUT, JAM - PUSH ROD
9	47837		1	ROD END, PUSH ROD
10	17-39023		1	PIN, REVERSE LOCK LEVER
11	18-25191		1	COTTER PIN, PUSH ROD TO REVERSE LOCK
12	52917		1	GUIDE, PUSH ROD UNITED STATES 4141000 THRU 4280269 AUSTRALIA 8029515 THRU 8030089 BELGIUM 9082514 THRU 9100588 CANADA 7051983 THRU 7060607
	69786		1	GUIDE, PUSH ROD UNITED STATES 4280270 AND UP AUSTRALIA NONE BUILT BELGIUM 9100589 AND UP CANADA 7060608 AND UP
13	35474		2	COVER, LOWER MOUNT CLAMP
14	10-29722		2	SCREW, COVER TO LOWER MOUNT CLAMP
15	11-35521		2	NUT, LOWER MOUNT CLAMP COVER
16	69592		2	CLAMP, LOWER MOUNT TO DRIVE SHAFT HOUSING
17	10-29256		4	SCREW, LOWER MOUNT CLAMP/DRIVE SHAFT HSG.
18	24-35522		4	SPRING, TENSION - LOWER MOUNT CLAMP
19	37395		2	MOUNT, RUBBER - LOWER
20	25067		2	BUMPER, RUBBER - LOWER MOUNT SCREW
21	10-49318		2	SCREW, LOWER MOUNT SCREW
22	12-28051		2	WASHER, LOWER MOUNT SCREW
23	12-28053		2	WASHER, RUBBER - LOWER MOUNT SCREW
24	12-30119		2	WASHER, LOWER MOUNT SCREW
25	11-25096		2	NUT, LOWER MOUNT SCREW
26	37394		2	MOUNT, RUBBER - UPPER
26A	25-65936		2	"O" RING, UPPER MOUNT
27	24929		2	PACKING, "U" CUP - UPPER MOUNT COVERS
28	24935		2	COVER, UPPER MOUNT - OUTSIDE HALF
29	31120		2	COVER, UPPER MOUNT - INSIDE HALF
30	10-49987		4	SCREW, UPPER MOUNT COVER - REAR (1 1/2")
31	10-49988		4	SCREW, UPPER MOUNT COVER - FRONT (1 3/4")
32	11-69431		8	NUT, UPPER MOUNT COVER FASTENING SCREW
33	12-27727		2	WASHER, UPPER MOUNT BOLT (37/64 ID)
34	12-66966		2	WASHER, RUBBER - UPPER MOUNT BOLT
35	12-30519		2	WASHER, UPPER MOUNT BOLD (3/8 ID)

CONTINUED ON NEXT PAGE ➡

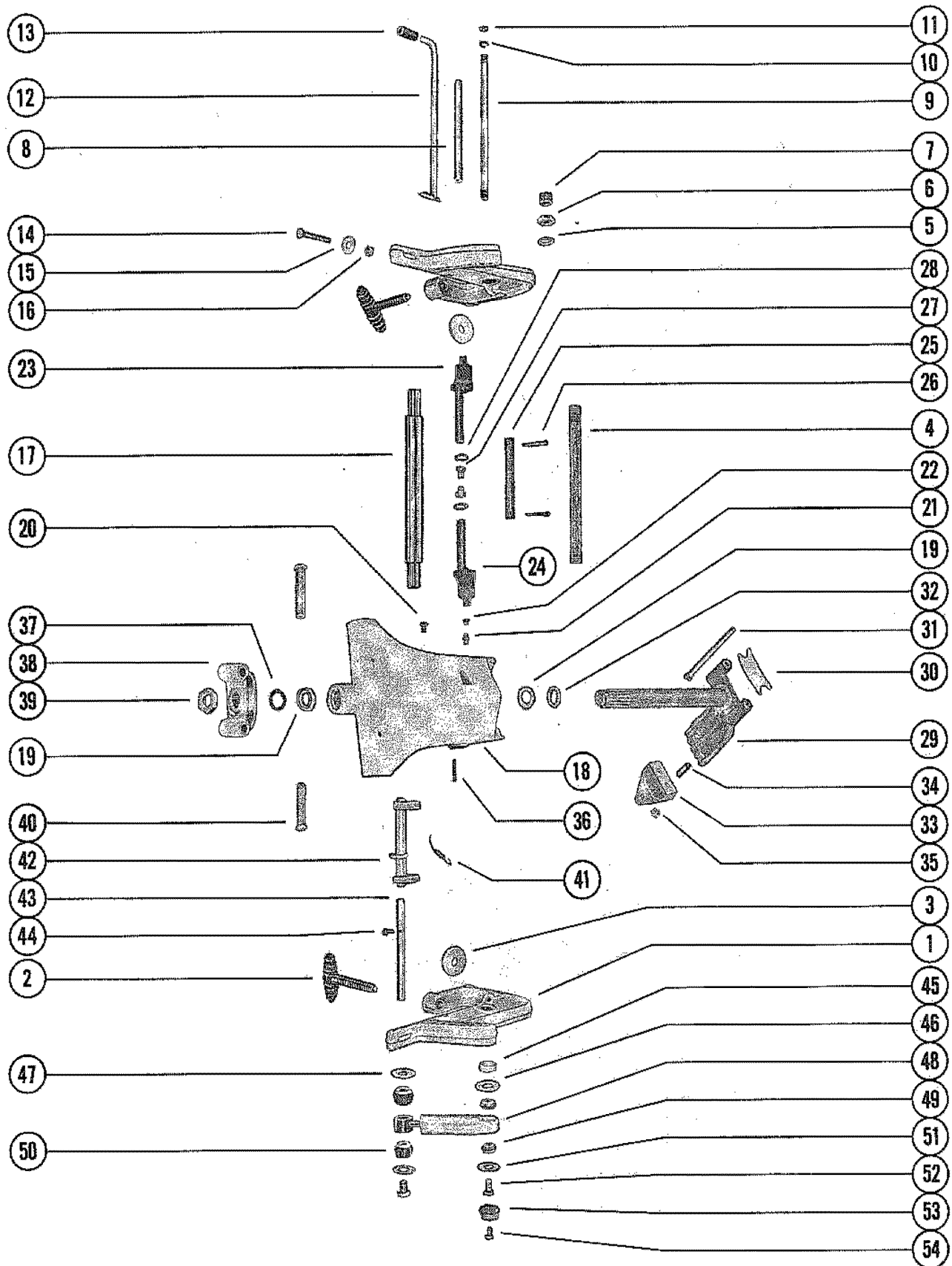
DRIVE SHAFT HOUSING ASSEMBLY



DRIVE SHAFT HOUSING ASSEMBLY

REF. NO.	PART NO.	SYM.	QTY.	DESCRIPTION
36	11-23161		2	NUT, UPPER MOUNT BOLT
37	27-38501		1	GASKET, EXHAUST EXTENSION PLATE TO DRIVE SHAFT HOUSING
38	11-69072		8	NUT, POWERHEAD TO DRIVE SHAFT HOUSING STUDS (5/16")
39	69543		1	TUBE, EXHAUST(SHORT SHAFT)
	69544		1	TUBE, EXHAUST(LONG SHAFT)
40	32-37727		1	TUBE, WATER INLET (SHORT SHAFT)
	32-45679		1	TUBE, WATER INLET (LONG SHAFT)
41	38157		1	SEAL, TRIM COVER TO DRIVE SHAFT HOUSING
42	38154		2	STRIP, RETAINING - TRIM COVER SEAL (SIDE)
43	38158		1	STRIP, RETAINING - TRIM COVER SEAL (REAR)
44	10-48408		10	SCREW, RETAINING STRIP TO DRIVE SHAFT HOUSING (SELF TAPPING)
45	37687		1	COVER, TRIM - DRIVE SHAFT HOUSING
46	10-57807		4	SCREW, TRIM COVER TO DRIVE SHAFT HOUSING
47	25-57806		4	GROMMET, TRIM COVER SCREW

CLAMP AND SWIVEL BRACKET ASSEMBLY

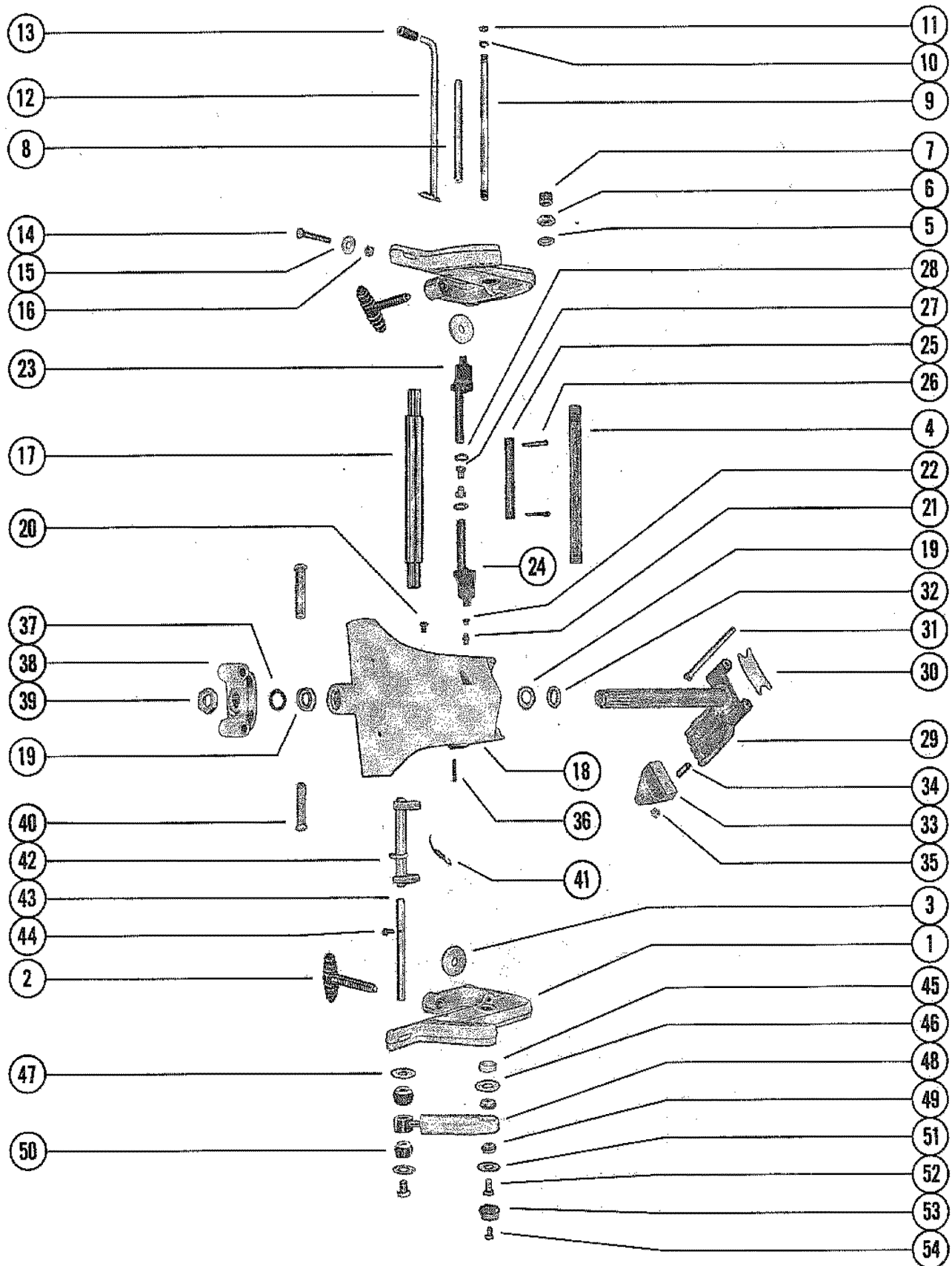


CLAMP AND SWIVEL BRACKET ASSEMBLY

REF. NO.	PART NO.	SYM.	QTY.	DESCRIPTION
1	1440-5576A1		2	CLAMP BRACKET ASSEMBLY
2	69214A1		2	THUMB SCREW ASSEMBLY
3	12-70988		2	WASHER, THUMB SCREW
4	30664		1	TUBE, TILT - CLAMP BRACKET TO SWIVEL BRACKET
5	12-52864		2	WASHER, CLAMP BRACKET TILT TUBE
6	11-30499		2	NUT, TILT TUBE FASTENING
7	53078		2	CAP, PLASTIC - TILT TUBE
8	23-59624		1	SPACER, CLAMP BRACKET STUD
9	16-59625		1	STUD, CLAMP BRACKET
10	13-26993		2	LOCKWASHER, CLAMP BRACKET STUD
11	11-28770		2	NUT, CLAMP BRACKET STUD
12	17-49930A1		1	TILT LOCK PIN ASSEMBLY
13	32-28052		1	SLEEVE, RUBBER - TILT LOCK PIN BUMPER
14	10-68298		2	BOLT, CLAMP BRACKET TO BOAT TRANSOM (3 1/4")
15	12-68410		2	WASHER, CLAMP BRACKET BOLT
14	10-68299		2	BOLT, CLAMP BRACKET TO BOAT TRANSOM (3")
15	12-68300		2	WASHER, CLAMP BRACKET BOLT
16	11-68411		4	NUT, CLAMP BRACKET BOLT
17	55-28416		1	PIN, UPPER SHOCK MOUNTING
18	1472-5047A1		1	SWIVEL BRACKET ASSEMBLY (SHORT SHAFT)
	1473-5048A1		1	SWIVEL BRACKET ASSEMBLY (LONG SHAFT)
19	26-32911		3	OIL SEAL, SWIVEL BRACKET
20	10-47828		1	SCREW, DRIVE - SWIVEL BRACKET
21	22-69059		1	FITTING, GREASE
22	29359		1	LUBRICAP, SWIVEL BRACKET GREASE FITTING
23	47799A1		1	TILT LOCK ASSEMBLY, STARBOARD
24	47800A1		1	TILT LOCK ASSEMBLY, PORT
25	47802		1	TUBE, TILT LOCK
26	18-47959		2	COTTER PIN, TILT LOCK TUBE
27	23-71574		2	BUSHING, TILT LOCK TUBE
28	13-69150		2	WASHER, WAVE - TILT LOCK TUBE
29	52882A13		1	SWIVEL PIN AND STEERING ARM ASSEMBLY (SHORT SHAFT)
	52882A9		1	SWIVEL PIN AND STEERING ARM ASSEMBLY (LONG SHAFT)
30	30711		1	BUMPER, STEERING ARM
31	10-33986		2	BOLT, UPPER MOUNT TO SWIVEL PIN (5 1/4")
32	12-47606		1	WASHER, SWIVEL PIN - LOWER
33	39503		1	BRACKET, RIDE GUIDE ATTACHING
34	16-39781		2	STUD, RIDE GUIDE BRACKET TO STEERING ARM (1 1/4")
35	11-20509		2	NUT, RIDE GUIDE BRACKET STUD
36	17-25598		4	PIN, REVERSE LOCK SPRING ATTACHING
37	12-25176		1	WASHER, SWIVEL PIN TO BOTTOM YOKE (.060)
	12-26837		AR	WASHER, SWIVEL PIN TO BOTTOM YOKE (.065)
38	69654		1	YOKE, BOTTOM

CONTINUED ON NEXT PAGE ➡

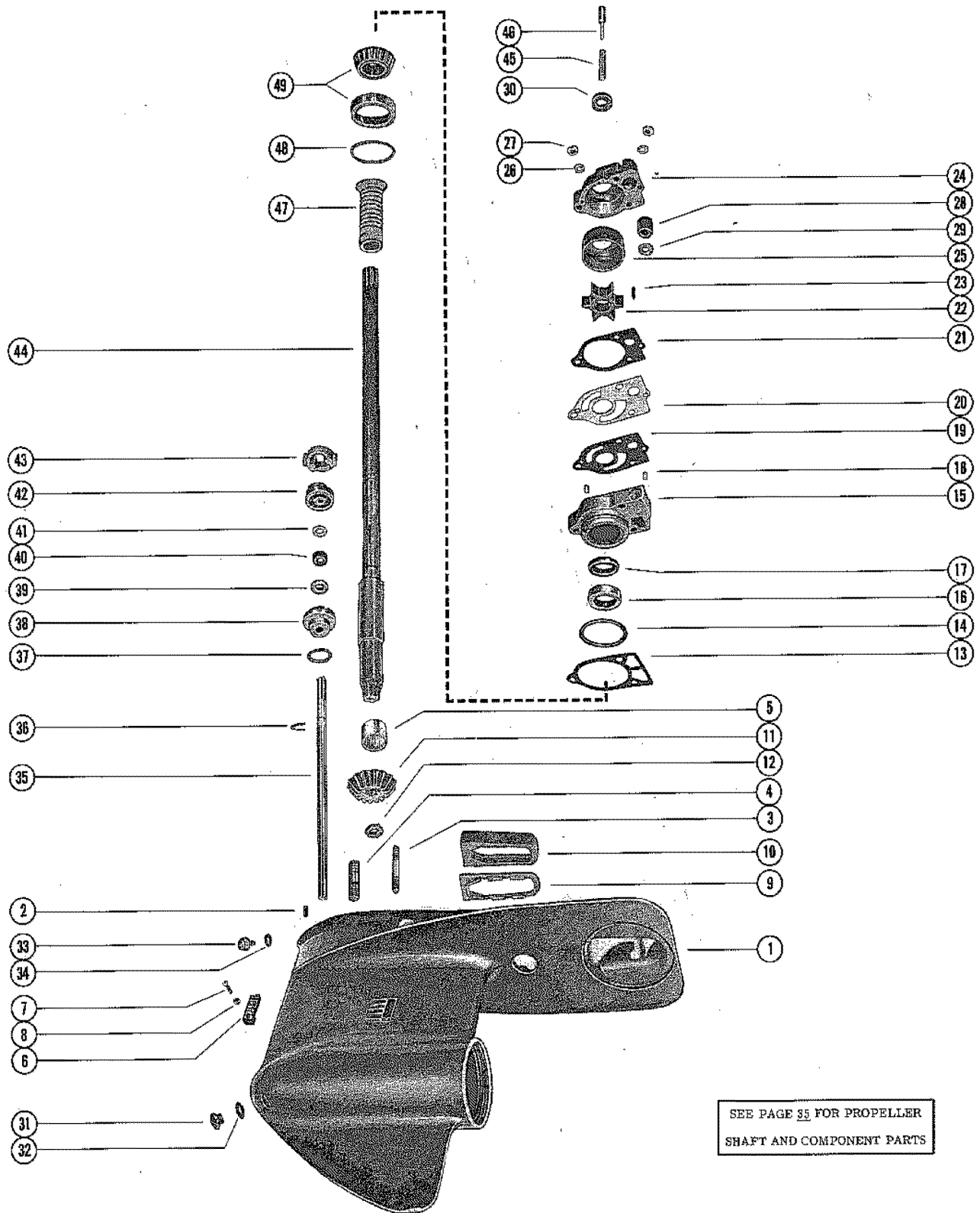
CLAMP AND SWIVEL BRACKET ASSEMBLY



CLAMP AND SWIVEL BRACKET ASSEMBLY

REF. NO.	PART NO.	SYM.	QTY.	DESCRIPTION
39	11-71956		1	NUT, SWIVEL PIN RETAINING
40	55-69653		2	PIN, LOWER SHOCK MOUNTING
41	24-29821		1	SPRING, REVERSE LOCK TENSION
42	70691		1	REVERSE LOCK ASSEMBLY
43	56349		1	SHAFT, REVERSE LOCK PIVOT
44	18-45882		1	COTTER PIN, REVERSE LOCK TO SHAFT
45	23-28199		2	SPACER, UPPER SHOCK BUSHING TO CLAMP BRACKET
46	12-28196		2	WASHER, UPPER BUSHING RETAINER (INNER)
47	12-59378		2	WASHER, LOWER BUSHING RETAINER (INNER)
48	55-58780A2		2	SHOCK ABSORBER
49	23-32171		4	BUSHING, RUBBER - SHOCK ABSORBER (UPPER)
50	23-28198		4	BUSHING, RUBBER - SHOCK ABSORBER (LOWER)
51	12-28421		4	WASHER, UPPER AND LOWER BUSHING RETAINER (OUTER)
52	10-53077		4	SCREW, UPPER AND LOWER SHOCK MOUNTING PIN (3/4")
53	53071		4	COVER, UPPER AND LOWER SHOCK MOUNTING PIN
54	10-37655		4	SCREW, COVER TO SHOCK MOUNTING SCREWS (1/2")

GEAR HOUSING ASSEMBLY, COMPLETE (PAGE 1)

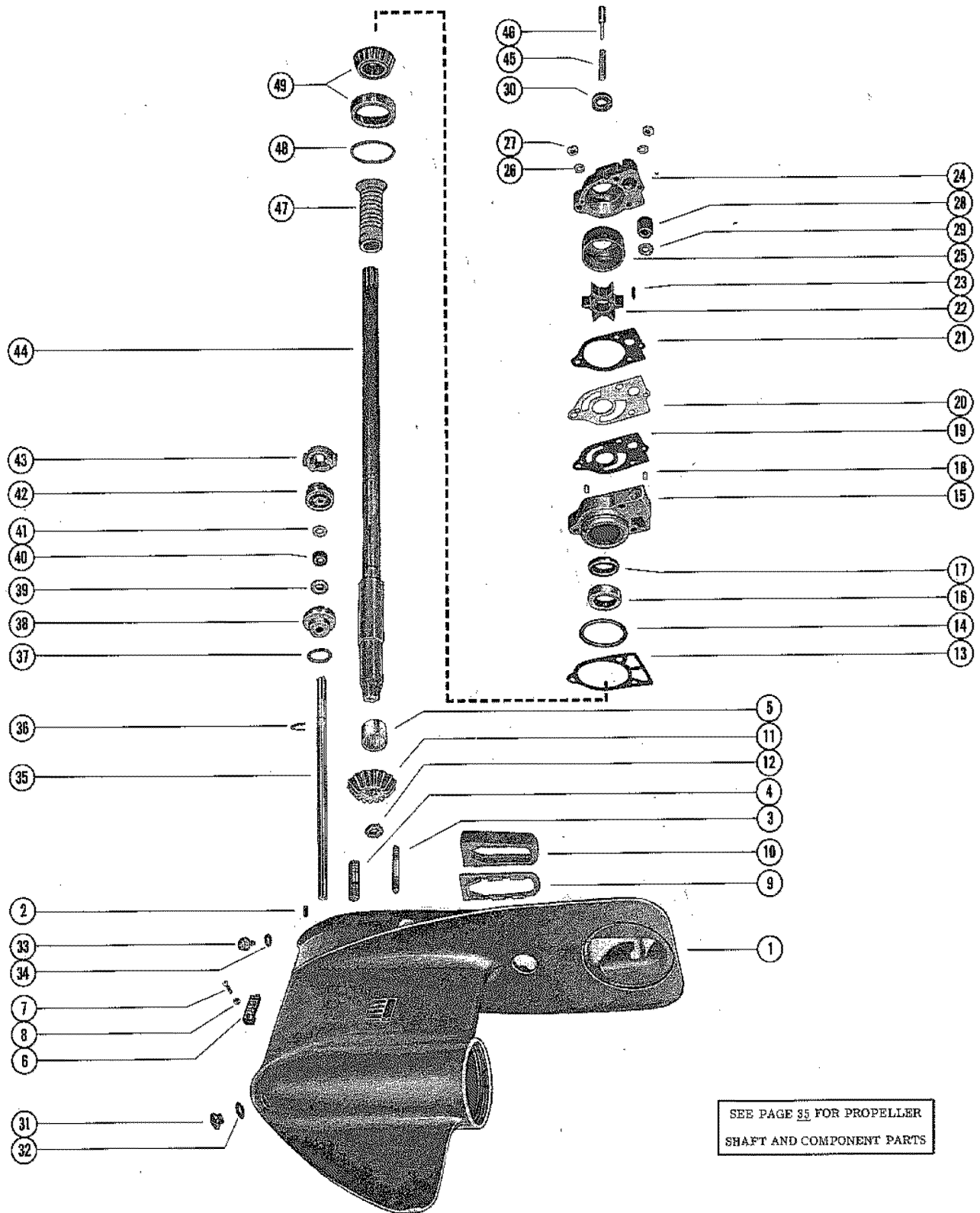


GEAR HOUSING ASSEMBLY, COMPLETE (PAGE 1)

REF. NO.	PART NO.	SYM.	QTY.	DESCRIPTION
-	1643-4931A9		1	GEAR HOUSING ASSEMBLY, COMPLETE(SHORT SHAFT) SEE NOTE BELOW UNITED STATES 4141000 THRU 4280269 AUSTRALIA 8029515 THRU 8030089 BELGIUM 9082514 THRU 9100588 CANADA 7051983 THRU 7060607
-	1643-4931A10		1	GEAR HOUSING ASSEMBLY, COMPLETE(LONG SHAFT) SEE NOTE BELOW UNITED STATES 4141000 THRU 4280269 AUSTRALIA 8029515 THRU 8030089 BELGIUM 9082514 THRU 9100588 CANADA 7051983 THRU 7060607
-	1643-4931A29		1	GEAR HOUSING ASSEMBLY, COMPLETE(SHORT SHAFT) SEE NOTE BELOW UNITED STATES 4280270 AND UP AUSTRALIA NONE BUILT BELGIUM 9100589 AND UP CANADA 7060608 AND UP
-	1643-4931A30		1	GEAR HOUSING ASSEMBLY, COMPLETE(LONG SHAFT) SEE NOTE BELOW UNITED STATES 4280270 AND UP AUSTRALIA NONE BUILT BELGIUM 9100589 AND UP CANADA 7060608 AND UP
1	1643-4931A6		1	GEAR HOUSING ASSEMBLY
2	17-21438		2	PIN, DOWEL - GEAR HOUSING
3	16-33778		3	STUD, WATER PUMP BODY/BASE TO GEAR HOUSING (2 5/8")
4	16-57933		2	STUD, GEAR HOUSING TO DRIVE SHAFT HOUSING (2 3/16")
5	31-62091		1	BEARING, ROLLER - DRIVE UNIT
6	63850		1	SCREEN, WATER INTAKE - STARBOARD
	63851		1	SCREEN, WATER INTAKE - PORT
7	10-36070		1	SCREW, WATER INTAKE SCREEN TO GEAR HOUSING (1 1/4")
8	11-45812		1	NUT, WATER INTAKE SCREEN SCREW
9	38071		1	PLATE, SUPPORT - EXHAUST TUBE SEAL
10	37721		1	SEAL, EXHAUST TUBE
11	43-55607		1	GEAR, PINION - DRIVE SHAFT
12	11-55910		1	NUT, PINION GEAR TO DRIVE SHAFT
13	27-32771		1	GASKET, WATER PUMP BASE TO GEAR HOUSING
14	25-26855		1	"O" RING, WATER PUMP BASE
15	46-73842A2		1	WATER PUMP BASE ASSEMBLY
16	26-26782		1	OIL SEAL, WATER PUMP BASE
17	26-23300		1	OIL SEAL, WATER PUMP BASE
18	17-35973		2	DOWEL PIN, WATER PUMP BASE TO WATER PUMP BODY
19	27-32769		1	GASKET, LOWER - WATER PUMP BASE TO FACE PLATE
20	54705		1	PLATE, FACE - WATER PUMP BASE TO WATER PUMP BODY
21	27-32770		1	GASKET, UPPER - FACE PLATE TO WATER PUMP BODY
22	47-65959		1	IMPELLER, WATER PUMP
23	28-56662		1	KEY, IMPELLER DRIVE
24	46-48746A1		1	WATER PUMP BODY ASSEMBLY
25	48753		1	INSERT, WATER PUMP BODY
26	12-29245		3	WASHER, WATER PUMP BODY AND BASE STUDS

CONTINUED ON NEXT PAGE ➡

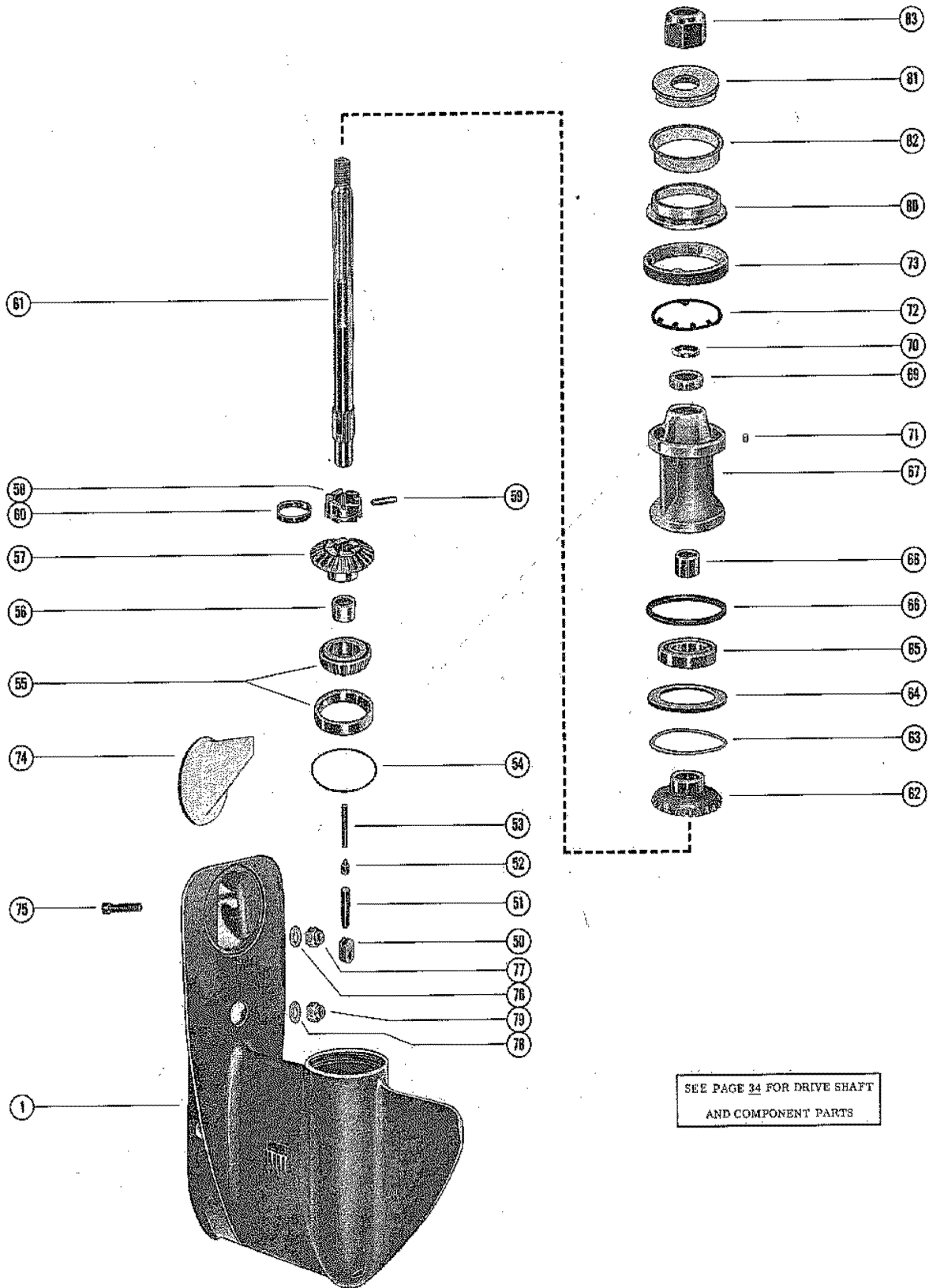
GEAR HOUSING ASSEMBLY, COMPLETE (PAGE 1)



GEAR HOUSING ASSEMBLY, COMPLETE (PAGE 1)

REF. NO.	PART NO.	SYM.	QTY.	DESCRIPTION
27	11-35045		3	NUT, WATER PUMP BODY AND BASE STUDS
28	26-38452		3	SEAL, WATER PUMP BODY TO WATER TUBE
29	12-38453		1	WASHER, CUPPED - WATER TUBE SEAL
30	25-20273		1	RING, RUBBER - CENTRIFUGAL SLINGER
31	10-28634		2	SCREW, GREASE FILLER AND VENT HOLE
32	12-20260		2	WASHER, GREASE FILLER AND VENT HOLE SCREW
33	19-48750		1	PLUG, GEAR HOUSING FLUSHING HOLE
34	12-49221		1	WASHER, GEAR HOUSING FLUSHING HOLE
35	60241A1		1	SHAFT ASSEMBLY, SHIFT - LOWER UNITED STATES 4141000 THRU 4280269 AUSTRALIA 8029515 THRU 8030089 BELGIUM 9082514 THRU 9100588 CANADA 7051983 THRU 7060607
	69787A1		1	SHAFT ASSEMBLY, SHIFT - LOWER UNITED STATES 4280270 AND UP AUSTRALIA NONE BUILT BELGIUM 9100589 AND UP CANADA 7060608 AND UP
36	53-29641		1	CLIP, RETAINING - SHIFT SHAFT
37	25-25439		1	"O" RING, SHIFT SHAFT BUSHING
38	23-55419A1		1	BUSHING ASSEMBLY, SHIFT SHAFT
39	26-24590		1	OIL SEAL, SHIFT SHAFT BUSHING (LOWER)
40	26-31249		1	OIL SEAL, SHIFT SHAFT BUSHING (UPPER)
41	12-31266		1	WASHER, RUBBER - SHIFT SHAFT BUSHING
42	39019		1	BASE, LOWER - REVERSE LOCKING
43	39021		1	CAM, REVERSE LOCKING UNITED STATES 4141000 THRU 4280269 AUSTRALIA 8029515 THRU 8030089 BELGIUM 9082514 THRU 9100588 CANADA 7051983 THRU 7060607
	69542		1	CAM, REVERSE LOCKING UNITED STATES 4280270 AND UP AUSTRALIA NONE BUILT BELGIUM 9100589 AND UP CANADA 7060608 AND UP
44	45-69164A2		1	DRIVE SHAFT ASSEMBLY (SHORT SHAFT)
	45-69165A2		1	DRIVE SHAFT ASSEMBLY (LONG SHAFT)
45	24-20254		1	SPRING, COMPRESSION - DRIVE SHAFT
46	17-30545		1	PIN, DRIVE SHAFT
47	23-60242		1	SLEEVE, LUBRICATION - DRIVE SHAFT
48	15-20929A1		AR	,SHIM, BEARING TO GEAR HOUSING (.002-3-5-10)
49	31-38146A1		1	ROLLER BEARING ASSEMBLY, TAPERED - DRIVE SHAFT

GEAR HOUSING ASSEMBLY, COMPLETE (PAGE 2)

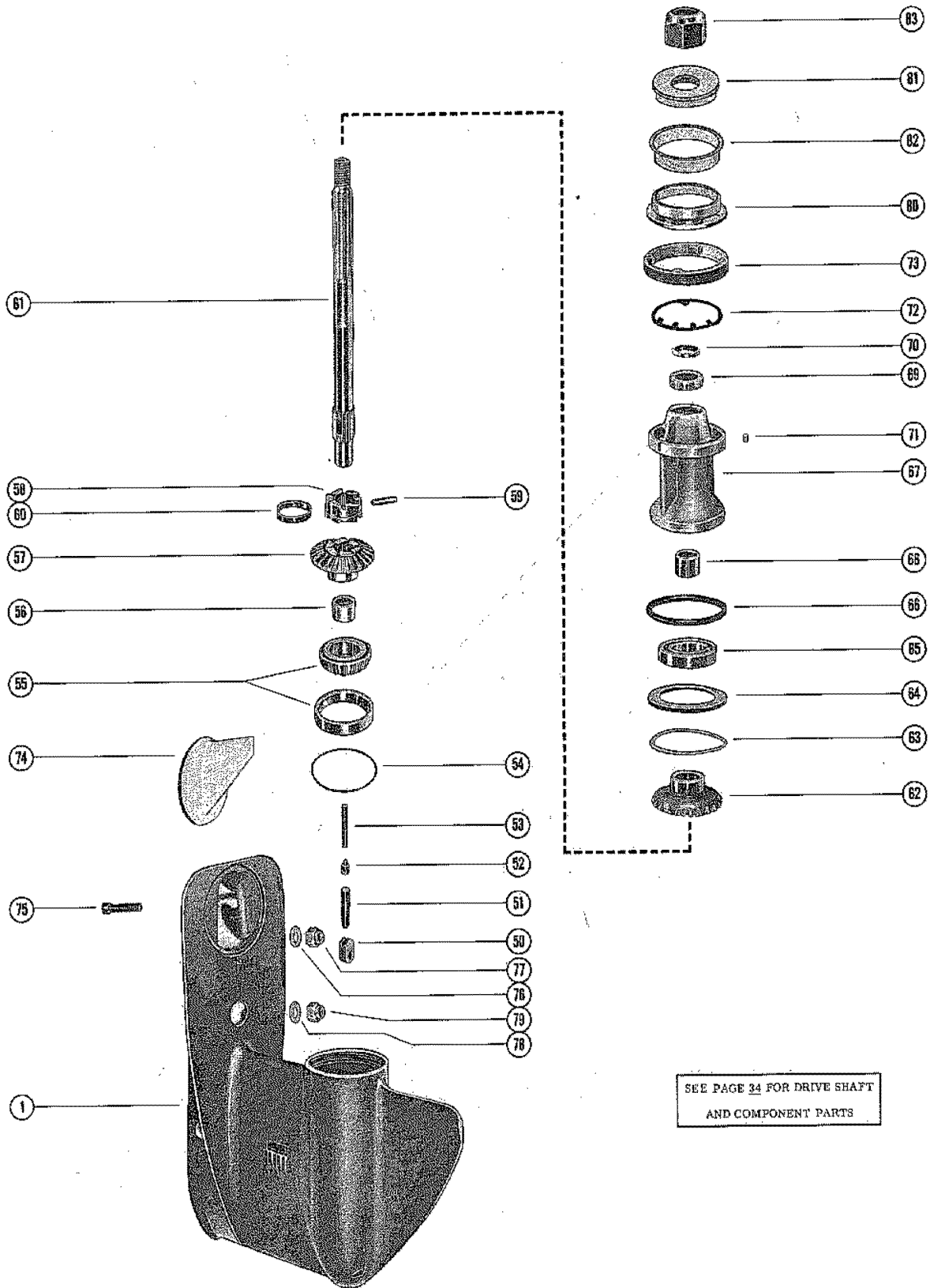


GEAR HOUSING ASSEMBLY, COMPLETE (PAGE 2)

REF. NO.	PART NO.	SYM.	QTY.	DESCRIPTION
-	1643-4931A9		1	GEAR HOUSING ASSEMBLY, COMPLETE (SHORT SHAFT) SEE NOTE BELOW UNITED STATES 4141000 THRU 4280269 AUSTRALIA 8029515 THRU 8030089 BELGIUM 9082514 THRU 9100588 CANADA 7051983 THRU 7060607
-	1643-4931A10		1	GEAR HOUSING ASSEMBLY, COMPLETE (LONG SHAFT) SEE NOTE BELOW UNITED STATES 4141000 THRU 4280269 AUSTRALIA 8029515 THRU 8030089 BELGIUM 9082514 THRU 9100588 CANADA 7051983 THRU 7060607
-	1643-4931A29		1	GEAR HOUSING ASSEMBLY, COMPLETE (SHORT SHAFT) SEE NOTE BELOW
-	1643-4931A30		1	GEAR HOUSING ASSEMBLY, COMPLETE (LONG SHAFT) SEE NOTE BELOW UNITED STATES 4280270 AND UP AUSTRALIA NONE BUILT BELGIUM 9100589 AND UP CANADA 7060608 AND UP
1	1643-4931A6		1	GEAR HOUSING ASSEMBLY (SEE PAGE 34 FOR PARTS BREAKDOWN)
50	54346		1	CAM, SHIFT UNITED STATES 4141000 THRU 4280269 AUSTRALIA 8029515 THRU 8030089 BELGIUM 9082514 THRU 9100588 CANADA 7051983 THRU 7060607
	69792		1	CAM, SHIFT UNITED STATES 4280270 AND UP AUSTRALIA NONE BUILT BELGIUM 9100589 AND UP CANADA 7060608 AND UP
51	38441		1	FOLLOWER, CAM
52	20843		1	SLIDE, CROSS PIN
53	24-39845		1	SPRING, COMPRESSION - CAM FOLLOWER
54	15-38374A1		AR	SHIM, BEARING CUP TO GEAR HSG. (.002-3-5-10)
55	31-38356A1		1	TAPERED ROLLER BEARING ASSEMBLY
56	31-21739		1	BEARING, ROLLER - FORWARD GEAR
57	43-55608		1	FORWARD GEAR ASSEMBLY
58	52-47586		1	RATCHET, SLIDING CLUTCH
59	17-38113		1	PIN, CROSS - RATCHET TO PROPELLER SHAFT
60	24-38114		1	SPRING, RETAINING - CROSS PIN
61	44-55911		1	SHAFT, PROPELLER
62	43-66554		1	REVERSE GEAR ASSEMBLY
63	15-20927A1		AR	SHIM, THRUST WASHER TO GEAR HSG. (.002-3-5-10)
64	12-32004		1	WASHER, THRUST - REVERSE GEAR
65	30-20839		1	BEARING, BALL - REVERSE GEAR
66	25-31986		1	"O" RING, BEARING CARRIER
67	69386A1		1	BEARING CARRIER ASSEMBLY
68	31-21700		1	BEARING, ROLLER - BEARING CARRIER
69	26-69188		1	OIL SEAL, BEARING CARRIER (DOUBLE LIP)
70	26-69189		1	OIL SEAL, LINE CUTTER
71	28-30281		1	KEY, LOCATING - BEARING CARRIER
72	14-53012		1	TAB WASHER, GEAR HOUSING COVER
73	53013		1	COVER, GEAR HOUSING
74	31640A1		1	TRIM TAB ASSEMBLY, GEAR HOUSING
75	10-66024		1	SCREW, TRIM TAB TO GEAR HOUSING (1 3/4")

CONTINUED ON NEXT PAGE ➡

GEAR HOUSING ASSEMBLY, COMPLETE (PAGE 2)



GEAR HOUSING ASSEMBLY, COMPLETE (PAGE 2)

REF. NO.	PART NO.	SYM.	QTY.	DESCRIPTION
76	12-45175		1	WASHER, DRIVE SHAFT HOUSING STUD (3/8")
77	11-34863		1	NUT, DRIVE SHAFT HOUSING TO GEAR HOUSING (3/8")
78	12-65791		1	WASHER, DRIVE SHAFT HOUSING STUD (7/16")
79	11-34933		1	NUT, DRIVE SHAFT HOUSING TO GEAR HOUSING (7/16")
80	65758		1	THRUST HUB, FRONT
81	62124A1		1	THRUST HUB ASSEMBLY, REAR
82	12-31992		1	WASHER, CUPPED - THRUST HUB
83	11-69578		1	NUT, PROPELLER

PARTS INDEX

Part Number	Description	Pg.	Ref. No.	Part Number	Description	Pg.	Ref. No.
20047	RACE, OUTER	35	7	30306	PULLEY, FLYWHEEL	9	10
20121	CONNECTOR, SPARK PLUG LEAD	15	--	30413	HOOK, COWL LATCH FASTENING	7	12
20121	TERMINAL, HIGH TENSION LEAD	15	--	30596	PAWL, STARTER	5	12
20140	BELT, TIMING	11	34	30664	TUBE, TILT - CLAMP BRACKET TO SWIVEL BRACKET	47	4
20843	SLIDE, CROSS PIN	55	52	30711	BUMPER, STEERING ARM	47	30
22462	"U" LINK, CHOKE ROD TO CHOKE KNOB (MANUAL)	23	17	31014	MOUNT, RUBBER - FRONT SUPPORT BRACKET	3	24
22463	KNOB, CHOKE ROD	23	15	31095	SEAL, SOUND - LOWER SECTION	7	8
22789	"D" WASHER, IGNITION DRIVER LEAD SCREW	17	36	31120	COVER, UPPER MOUNT - INSIDE HALF	43	29
22789	"D" WASHER, STATOR LEAD CLAMP SCREW ELECTRIC	9	16	31640A1	TRIM TAB ASSEMBLY, GEAR HOUSING	55	74
22789	D WASHER, CHOKE SOLENOID CLIP SCREW ELECTRIC	3	30	35474	COVER, LOWER MOUNT CLAMP	43	13
22833	ADAPTOR, CHECK UNIT (FUEL LINE)	29	25	35496	PAD, BUMPER-TOP COWL REATINER	3	9
23004	RETAINER, CHECK VALVE	29	7	37394	MOUNT, RUBBER - UPPER	43	26
23014A1	DIAPHRAGM KIT	29	3	37395	MOUNT, RUBBER - LOWER	43	19
23069	STEM, CHECK UNIT ADAPTOR	29	26	37637	BOOT, FUEL CONNECTOR	37	20
24929	PACKING, "U" CUP - UPPER MOUNT COVERS	43	27	37639	MOUNT, RUBBER - CRANKCASE	33	8
24935	COVER, UPPER MOUNT - OUTSIDE HALF	43	28	37639	MOUNT, RUBBER - CYLINDER BLOCK COVER	33	30
25067	BUMPER, RUBBER - LOWER MOUNT SCREW	43	20	37687	COVER, TRIM - DRIVE SHAFT HOUSING	45	45
26551	BRACKET, TAB - CRANKCASE - IGNITION DRIVER GROUND STRAP	13	55	37690	SHIELD, REAR - TOP COWL	3	5
26852	CAP, MYLON - ADJUSTING SCREW	11	39	37691	PLATE, CABLE GUIDE	5	6
27711	RETAINER, SPRING	23	25	37692	SUPPORT, EXTERNAL WIRING HARNESS ELECTRIC	37	21
27935	COVER, TRANSFER PORT	33	32	37695	BOOT, CONTROL CABLE	37	19
27947	SWIVEL, LINKAGE - ECONOMIZER COLLAR	11	40	37721	SEAL, EXHAUST TUBE	51	10
27948	SWIVEL, UPPER LINK ROD TO THROTTLE CONTROL LEVER	11	42	37794	BLANKET, SOUND ABSORBING	7	13
27955	CAP, IGNITION DRIVE ADAPTOR AND PILOT FASTENING	11	26	37921	FLANGE, RUBBER - FRONT SUPPORT BRACKET	3	22
28747	HANDLE, STARTER CABLE	5	24	37926	RETAINER, NYLON BEARING TO EXHAUST EXTENSION PLATE	39	16
28748	RETAINER, STARTER CABLE AND HANDLE	5	25	37932	BEARING, NYLON - SHIFT CONTROL ACTUATOR	41	29
28845	SCREW, PLUG - BODY CHANNEL	27	35	37935	RAIL, SHIFT CONTROL BEARING	41	32
29359	LUBRICAP, SWIVEL BRACKET GREASE FITTING	47	22	37948A5	ACTUATOR ASSEMBLY, SHIFT CONTROL	39	26
29783A1	DRIVE PULLEY ASSEMBLY	11	29	37996	GROUND STRAP, CRANKCASE MOUNT	33	10
29784	HUB, DRIVEN PULLEY	11	28	38071	PLATE, SUPPORT - EXHAUST TUBE SEAL	51	9
29785	FALNGE, DRIVEN PULLEY	11	31	38133	SEAL SOUND - UPPER SECTION	7	9
29787	HUB, FLANGE - FLYWHEEL PULLEY	9	11	38154	STRIP, RETAINING - TRIM COVER SEAL (SIDE)	45	42
29788	FLANGE, FLYWHEEL PULLEY	9	9	38155	STRIP, RUBBER SEAL RETAINING	39	9
30188	CUP WASHER, ADAPTOR	29	29				

PARTS INDEX

Part Number	Description	Pg.	Ref. No.	Part Number	Description	Pg.	Ref. No.
38157	SEAL, TRIM COVER TO DRIVE SHAFT HOUSING	45	41	48753	INSERT, WATER PUMP BODY	51	25
38158	STRIP, RETAINING - TRIM COVER SEAL (REAR)	45	43	49184	RECTIFIER ELECTRIC ELECTRIC	19	4
38441	FOLLOWER, CAM	55	51	52552A3	MODULE ASSMEBLY	1	-
38500	RETAINER, WATER TUBE SEAL	39	5	52737	LEVER, COWL LATCH HINGE	3	12
38604	SHUTTER, CHOKE - CARBURETOR	23	26	52739	HINGE, COWL LATCH - TOP COWL	3	13
38674	BLANKET, SOUND ABSORBING	7	7	52882A13	SWIVEL PIN AND STEERING ARM ASSEMBLY (SHORT SHAFT)	47	29
38950A1	COVER ASSEMBLY, STOP SWITCH	37	10	52882A9	SWIVEL PIN AND STEERING ARM ASSEMBLY (LONG SHAFT)	47	29
39019	BASE, LOWER - REVERSE LOCKING	53	42	52917	GUIDE, PUSH ROD	43	12
39021	CAM, REVERSE LOCKING	53	43	53013	COVER, GEAR HOUSING	55	73
39483	LATCH, THROTTLE CONTROL LEVER (THROTTLE CABLE)	13	47	53071	COVER, UPPER AND LOWER SHOCK MOUNTING PIN	49	53
39503	BRACKET, RIDE GUIDE ATTACHING	47	33	53078	CAP, PLASTIC - TILT TUBE	47	7
39840	RETAINER, WAVE WASHER	5	16	53143	LEVER, THROTTLE CONTROL	13	43
45391	SPACER, IGNITION WIRE	13	54	53458	PLATE, THROTTLE STOP	11	35
46109	PLAT, BAFFLE - EXJAUST MANIFOLD	33	19	53665	INSET COUPLING, THROTTLE SHAFT	23	13A
46112	COVER, EXHUAST MANIFOLD	33	21	53719A2	PICK-UP BRACKET ASSEMBLY	23	13
46265	BOOT, TERMINAL - STARTER SOLENOID ELECTRIC	19	26	54283A2	PLUNGER AND LINK ASSEMBLY, CHOKE SOLENOID ELECTRIC	23	7
46303	"U"LINK, CHOKE ROD TO CHOKE KNOB (ELECTRIC)	23	17	54293A5	CHOKE SOLENOID-ELECTRIC	23	1
46304	ROD, CHOKE(ELECTRIC)	23	21	54346	CAM, SHIFT	55	50
46785A1	COWL LATCH ASSEMBLY	7	11	54705	PLATE, FACE - WATER PUMP BASE TO WATER PUMP BODY	51	20
46933A1	GROUND STRAP ASSEMBLY, CRANKCASE TO COWL (3 5/8")	39	18	55455	HOOK, TOP COWL LATCH - REAR	3	2
46933A2	GROUND STRAP ASSEMBLY, HOUSING TO COWL (3 3/8")	39	19	55459A5	RETAINER ASSEMBLY, TOP COWL	3	8
47341A1	STARTER CABLE (FOR MANUAL STARTING OF ELECTRIC ENGINE)	5	23	55467	BRACKET, REAR COWL SUPPORT	3	16
47799A1	TILT LOCK ASSEMBLY, STARBOARD	47	23	55692	COUPLING, UPPER SHIFT SHAFT	39	22
47800A1	TILT LOCK ASSEMBLY, PORT	47	24	56319A5	WIRE, SWITCH BOX TO STOP SWITCH	37	16
47802	TUBE, TILT LOCK	47	25	56349	SHAFT, REVERSE LOCK PIVOT	49	43
47835	ROD, PUSH - REVERSE LOCK (SHORT SHAFT)	43	7	56498	CLUSTER, THROTTLE LEVER (UPPER CARB.)	23	11
47836	ROD, PUSH - REVERSE LOCK (LONG SHAFT)	43	7	56848	KNOB, COWL FRONT COVER FASTENING	7	2
47837	ROD END, PUSH ROD	43	9	57236	CAM, SLIDING - STARTER HOUSING	5	31
47883A1	PILOT ASSEMBLY, IGNITION DRIVE	11	3	57237	HOUSING, STARTER	5	3
47958	ROD, CHOKE(MANUAL)	23	21	57244A3	SHIFT SHAFT ASSEMBLY, UPPER	39	21
48039	CAP, THROTTLE ACTUATOR ADJUSING SCREW	11	16	57244A4	SHIFT SHAFT ASSEMBLY, UPPER	39	21
48103A1	EXONOMIZER COLLAR AND PIN ASSEMBLY	11	9				

PARTS INDEX

Part Number	Description	Pg.	Ref. No.	Part Number	Description	Pg.	Ref. No.
57786	COVER, PLUG - BOTTOM			69548A1	SHIFT SHAFT ASSEMBLY, UPPER (SHORT SHAFT)	39	21
	COWL HARNESS HOLE	37	2	69549A1	SHIFT SHAFT ASSEMBLY, UPPER (LONG SHAFT)	39	21
58124A8	SWITCH ASSEMBLY, MERCURY	31	22	69592	CLAMP, LOWER MOUNT TO DRIVE SHAFT HOUSING	43	16
58807A1	FLAME ARRESTOR, IGNITION DRIVER COVER	15	21	69654	YOKE, BOTTOM	47	38
59037A2	LEVER, THROTTLE AND SHIFT CABLES	39	12	69786	GUIDE, PUSH ROD	43	12
59065A4	STOP SWITCH ASSEMBLY MANUEL	37	7	69787A1	SHAFT ASSEMBLY, SHIFT - LOWER	53	35
59126	SEPARATOR, IGNITION LEADS	17	--	69791	NOZZLE, TELL TALE HOSE TO BOTTOM COWL	37	25
59757	BRACKET, RETAINER - HIGH TENSION LEAD	19	11	69792	CAM, SHIFT	55	50
60241A1	SHAFT ASSEMBLY, SHIFT - LOWER	53	35	70012	BRACKET, IGNITION COIL	21	47
60577	MOUNT, RUBBER - REAR SUPPORT BRACKET	3	18	70014	BRACKET, IGNITION COIL (REAR)	21	46
60785A2	BRACKET ASSEMBLY, FRONT SUPPORT	3	21	70287A3	PLATE ASSEMBLY, EXHAUST EXTENSION	39	1
60834A3	CARROER ASSEMBLY, "O" RING	35	2	70691	REVERSE LOCK ASSEMBLY	49	42
60948A1	COVER PLATE ASSEMBLY	37	17	70969	CABLE ASSEMBLY INTERLOCK	5	26
61002	RETAINER, STARTER SPRING	5	8	72015	PAD, RUBBER - IGNITION COIL	19	38
61003	SHAFT, SHEAVE	5	22	72854A3	ACTUATOR ASSEMBLY, SHIFT CONTROL	41	26
61990	STA-STRAP, WIRING HARNESS ELECTRIC	19	36	10-20012	SCREW, THROTTLE STOP ADJUSTING (1 5/8")	11	37
62124A1	THRUST HUB ASSEMBLY, REAR	57	81	10-20055	SCREW, RECTIFIER TERMINALS (3/8") ELECTRIC	19	8
63195	COVER, CASTING - COIL	19	39	10-20100	SCREW, INTERLOCK CABLE TO STARTER HOUSING (1/2")	5	28
63850	SCREEN, WATER INTAKE - STARBOARD	51	6	10-20359	SCREW, CENTER MAIN BEARING LOCKING (1")	31	18
63851	SCREEN, WATER INTAKE - PORT	51	6	10-20540	SCREW, TRANSFER PORT COVER MOUNTING (5/8")	33	34
64254	"O" RING, CARRIER	35	3	10-20653	SCREW, CYLINDER BLOCK COVER MOUNTING (1")	33	28
64710	COVER, FUEL PUMP	29	9	10-20784	SCREW, CENTER MAIN VEARING CLAMPING (1 1/2")	35	9
65757A1	TOGGLE ASSEMBLY, STARTER INTERLOCK	5	35	10-20847	SCREW, CLUSTER TO THROTTLE LEVER	23	12
65758	THRUST HUB, FRONT	57	80	10-20847	SCREW, THROTTLE STOP LEVER	25	19
65794A2	TACHOMETER ASSEMBLY	1	-	10-22486	SCREW, LATCH TO THROTTLE CONTROL LEVER (7/8")	13	48
66552	LINK ROD	11	41	10-22956	SCREW, REAR HOOK TO TOP COWL (7/8")	3	3
66777A1	FUEL PUMP ASSEMBLY	29	1	10-23015	SCREW, ADJUSTING - THROTTLE ACTUATOR (1")	11	14
66778	PLATE, THROTTLE ACTUATOR	11	12	10-23178	SCREW, PLUG - MAIN NOZZLE	27	33
66845	PLATE, RETAINER - STARTER PAWL	5	20	10-24234	SCREW, RETAINER TO TOPE COWL (1")	3	10
66848	RETAINER, SPRING	5	19A				
66849	CLAMP, NOZZLE - TELL TALE	37	26				
66856A1	ADAPTOR, IGNITION DRIVE	11	18				
68789	SCREW, RETAINER TO HOUSING	29	8				
69214A1	THUMB SCREW ASSEMBLY	47	2				
69386A1	BEARING CARRIER ASSEMBLY	55	67				
69542	CAM, REVERSE LOCKING	53	43				
69543	TUBE, EXHAUST(SHORT SHAFT)	45	39				

PARTS INDEX

Part Number	Description	Pg.	Ref. No.	Part Number	Description	Pg.	Ref. No.
10-26066	SCREW, CHOKE SOLENOID TO FRONT BRACKET ELECTRIC	23	4	10-36137	SCREW, COIL BRACKET TO BOTTOM COWL (1")	21	49
10-26548	SCRW, IGNITION DRIVER GROUND STRAP TO TAB BRACKET (3/8")	13	56	10-36154	SCREW, COIL BRACKET TO BOTTOM COWL (1 3/8")	21	48
10-26801	SCREW, MAIN BEARING LOCKING (5/8")	31	16	10-37370	SCREW, REAR SHILD TO TOP COWL	3	6
10-28259	SCREW, PRIMARY HARNESS CABLE FASTENING (5/8")	15	9	10-37558	SCREW, ADAPTOR AND PILOT TO CRANKCASE (1-1/4")	11	19
10-28405	SCREW, PLUG - MAIN FUEL JET CHANNEL	27	28	10-37562	SCREW, FRONT SUPPORT BRACKET TO BOTTOM COWL (1")	3	27
10-28634	SCREW, GREASE FILLER AND VENT HOLE	53	31	10-37562	SCREW, MANIFOLD COVER TO CYL. BLOCK (1")	33	22
10-28635	SCREW, SOLENOID TO SUPPORT BRACKET (3/4") ELECTRIC	19	27	10-37571	SCREW, RETAINING STRIP TO EXHAUST EXTENSION PLATE (1/2")	39	10
10-28713	SCREW, TENSION SPRING TO CARBURETOR	23	24	10-37655	SCREW, COVER TO SHOCK MOUNTING SCREWS (1/2")	49	54
10-29197	SCREW, GROUND WIRE TO STARTER MOTOR (5/8") ELECTRIC	19	18	10-37923	SCREW, RETAINER TO EXHAUST EXTENSION PLATE (1 1/2")	39	17
10-29256	SCREW, LOWER END CAP MOUNTING (7/8")	33	17	10-38069	SCREW, SPRING TO ACTUATOR	41	28
10-29256	SCREW, LOWER MOUNT CLAMP/DRIVE SHAFT HSG.	43	17	10-38837	SCREW, MANIFOLD COVER TO CYL. BLOCK - CLIP (1 1/8")	33	23
10-29256	SCREW, UPPER END CAP MONTING (7/8")	33	7	10-45218	SCREW, IGNITION COIL WIRE TO SWITCH BOX (3/8")	21	45
10-29722	SCREW, COVER TO LOWER MOUNT CLAMP	43	14	10-45379	SCREW, CAP TO CONNECTING ROD	35	25
10-30173	SCREW, FUEL PUMP MOUNTING (1 5/8")	29	11	10-45775	SCREW, MAIN BEARING CLAMPING (9/16")	35	15
10-31206	SCREW, CHOKE SOLENOID CLIP ATTACHING (7/16") ELECTRIC	3	29	10-45862	SCREW, PLUG COVER TO BOTTOM COWL	37	3
10-31299	SCREW, THROTTLE STOP PLATE TO ADAPTOR (7/8")	11	36	10-45862	SCREW, WIRING HARNESS CLAMP TO BOTTOM COWL (7/8") ELECTRIC	19	33
10-32228	SCREW, INTERLOCK CABLE TO EXHAUSE PLATE (5/8")	5	27	10-46420	SCREW, TRHOTTLE ACTUATOR TO ECONOMIZER COLLAR (1/2")	11	13
10-32417	SCREW, FLEX PLATE TO FLYWHEEL (5/8")	9	7	10-47181	SCREW, IGNITION DRIVER CAP FASTENING (1 7/8")	15	26
10-32565	SCREW, STARTER HOUSING TO CRANKCASE/CYLINDER BLOCK (1")	5	4	10-47182	SCREW, TERMINAL BOARD ASSEMBLY FASTENING (1/2")	15	4
10-33986	BOLT, UPPER MOUNT TO SWIVEL PIN (5 1/4")	47	31	10-47183	SCREW, SET - COIL ASSEMBLY FASTENING	15	2
10-35519	SCREW, STATOR LEAD CLAMP FASTENING (1/2") ELECTRIC	9	15	10-47184	SCREW, IGNITION DRIVER CAP FASTENING (1 1/2")	15	26
10-35881	SCREW, DRIVE - CABLE GUIDE TO STARTER HOUSING	5	7	10-47185	SCREW, IGNITION DRIVER COVER FASTENING 3/4"	15	19
10-36070	SCREW, WATER INTAKE SCREEN TO GEAR HOUSING (1 1/4")	51	7	10-47194	SCREW, BEARING CAP FASTENING (9/16")	15	14
10-36137	SCREW, BEARING TO SHIFT CONTROL ACTUATOR (1")	41	30	10-47273	SCREW, THROTTLE LEVER TO EXHAUST COVER (1 1/2")	13	45

PARTS INDEX

Part Number	Description	Pg.	Ref. No.	Part Number	Description	Pg.	Ref. No.
10-47828	SCREW, DRIVE - SWIVEL BRACKET	47	20	10-68299	BOLT, CLAMP BRACKET TO BOAT TRANSOM (3")	47	14
10-47910	SCREW, ADAPTOR AND PILOT TO IGNITION DRIVE (5/8")	11	4	10-69022	SCREW, "U" LINK TO CHOKE KNOB	23	18
10-48408	SCREW, MERCURY SWITCH TO EXH. MANIFOLD COVER (1/2")	31	23	10-69028	SCREW, RAIL TO EXHAUST MANIFOLD COVER (3/4")	41	33
10-48408	SCREW, NOZZLE CLAMP TO BOTTOM COWL (1/2")	37	27	10-69029	SCREW, ADAPTOR TO BOTTOM COWL (1 3/4")-MANUAL	29	30
10-48408	SCREW, RETAINING STRIP TO DRIVE SHAFT HOUSING (SELF TAPPING)	45	44	10-69030	SCREW, SWITCH BOX TO FRONT SUPPORT BRACKET (5/8")	19	3
10-49318	SCREW, LOWER MOUNT SCREW	43	21	10-69032	SCREW, PULLEY (5/8")	11	33
10-49987	SCREW, RETAINER BRACKET TO SUPPORT BRACKET (1 1/2")	19	12	10-69069	SCREW, RETAINER TO EXHAUST EXTENSION PLATE (3/4")	39	6
10-49987	SCREW, UPPER MOUNT COVER - REAR (1 1/2")	43	30	10-69088	SCREW, PLATE AND RATCHET (5/16")	9	6
10-49988	SCREW, UPPER MOUNT COVER - FRONT (1 3/4")	43	31	10-69089	SCREW, CRANKCASE TO CYLINDER BLOCK (2 3/4")	31	13
10-52195	SCREW, FLOAT BOWL COVER (SHORT)	25	10	10-69091	SCREW, CRANKCASE TO CYLINDER BLOCK (1 5/8")	31	12
10-52196	SCREW, FLOAT BOWL COVER (LONG)	25	11	10-69097	SCREW, CRANKCASE TO CYLINDER BLOCK (1 1/2")	31	12
10-52446	SCREW, STARTER MOTOR TO CRANKCASE FLANGE (1 5/8") ELECTRIC	19	15	11-20013	NUT, THROTTLE STOP ADJUSTING SCREW	11	38
10-53077	SCREW, UPPER AND LOWER SHOCK MOUNTING PIN (3/4")	49	52	11-20061	NUT, CONNECTING ROD SCREW	35	26
10-53481	SCREW, REED STOP MOUNTING (9/16")	35	19	11-20110	NUT, CHOKE SHUTTER TO CARBURETOR STUD	23	30
10-53651	SCREW, PICK-UP BRACKET (3/4")	23	14	11-20110	NUT, FILTER SCREEN STUD	23	34
10-57021	SCREW, STATOR TO UPPER END CAP (7/8") ELECTRIC	9	13	11-20110	NUT, REED STOP MOUNTING SCREW	35	20
10-57249	SCREW, TOGGLE TO STARTER HOUSING	5	36	11-20166	NUT, SHEAVE SHAFT (LEFT HAND THREAD)	5	1
10-57807	SCREW, TRIM COVER TO DRIVE SHAFT HOUSING	45	46	11-20509	NUT, RIDE GUIDE BRACKET STUD	47	35
10-62568	SCREW, COVER PLATE TO BOTTOM COWL (3/8")	37	18	11-20586	NUT, LATCH SCREW	13	50
10-62568	SCREW, GROUND STRAP (3/9" SELF TAPPING)	39	20	11-20586	NUT, UPPER SWIVEL TO THROTTLE LEVER	13	52
10-64099	SCREW, IGNITION COIL TO BRACKET (2 1/8")	21	40	11-20645	NUT, GROUND LEAD TO STOP SWITCH	37	13
10-66024	SCREW, TRIM TAB TO GEAR HOUSING (1 3/4")	55	75	11-20645	NUT, THROTTLE ACTUATOR ADJUSTING SCREW	11	15
10-66944	SCREW, FUEL PUMP MOUNTING (2 1/8")	29	10	11-20890	NUT, GROUND WIRE SCREW ELECTRIC	19	20
10-67916	SCREW, ADAPTOR TO BOTTOM COWL (2")-ELECTRIC	29	30	11-21971	NUT, CONNECTOR BASE TO BOTTOM COWL	37	15
10-67916	SCREW, HARNESS SUPPORT TO BOTTOM COWL (2")	37	22	11-22053	NUT, CHOKE SOLENOID SCREW ELECTRIC	23	6
				11-22339	NUT, FLYWHEEL	9	1
				11-23161	NUT, UPPER MOUNT BOLT	45	36
				11-25096	NUT, LOWER MOUNT SCREW	43	25
				11-26062	NUT, CAP - SOLENOID TERMINAL (5/16") ELECTRIC	19	25
				11-28770	NUT, CLAMP BRACKET STUD	47	11
				11-28770	NUT, JAM - PUSH ROD	43	8

PARTS INDEX

Part Number	Description	Pg.	Ref. No.	Part Number	Description	Pg.	Ref. No.
11-28770	NUT, RECTIFIER TO FRONT BRACKET ELECTRIC	19	6	11-69431	NUT, UPPER MOUNT COVER FASTENING SCREW	43	32
11-29488	NUT, RECTIFIER TERMINALS ELCTRIC . . .	19	9	11-69578	NUT, PROPELLER	57	83
11-30499	NUT, TILT TUBE FASTENING	47	6	11-71956	NUT, SWIVEL PIN RETAINING	49	39
11-34863	NUT, DRIVE SHAFT HOUSING TO GEAR HOUSING (3/8")	57	77	12-20084	WASHER, ADAPTOR AND PILOT TO CRANKCASE SCREW	11	20
11-34933	NUT, DRIVE SHAFT HOUSING TO GEAR HOUSING (7/16")	57	79	12-20128	WASHER, FUEL PUMP SCREW	29	12
11-34933	NUT, GEAR HOUSING TO DRIVE SHAFT HOUSING STUDS (7/16")	43	5	12-20128	WASHER, PLUG COVER SCREW	37	-
11-35045	NUT, FRONT SUPPORT BRACKET RUBBER MOUNT	3	26	12-20128	WASHER, WIRING H ARNESS CLAMP SCREW ELECTRIC	19	35
11-35045	NUT, REAR SUPPORT BRACKET RUBBER MOUNT	3	20	12-20138	WASHER, PULLEY SCREW .	11	32
11-35045	NUT, RETAINER BRACKET SCREW	19	13	12-20260	WASHER, GREASE FILLER AND VENT HOLE SCREW	53	32
11-35045	NUT, SHIFT CONTROL ACUATOR TO UPPER SHIFT SHAFT	39	25	12-21631	WASHER, REAR SUPPORT BRACKET RUBBER MOUNT	3	19
11-35045	NUT, WATER PUMP BODY AND BASE STUDS	53	27	12-23046	WASHER, FRONT SUPPORT BRACKET RUBBER MOUNT	3	25
11-35521	NUT, LOWER MOUNT CLAMP COVER	43	15	12-24664	WASHER, SHIFT CONTROL ACTUATOR	39	24
11-35888	NUT, BOTTOM COWL STUD	37	6	12-25176	WASHER, SWIVEL PIN TO BOTTOM YOKE (.060) . . .	47	37
11-45076	NUT, IGNITION COIL TERMINAL (#10)	21	44	12-26013	WASHER, INERLOCK CABLE SCREW	5	30
11-45076	NUT, SWITCH BOX TERNINAL	19	2	12-26436	WASHER, IGNITION COIL TERMINAL (#10)	21	43
11-45774	NUT, MAIN BEARING CLAMPING SCREW	35	16	12-26837	WASHER, SWIVEL PIN TO BOTTOM YOKE (.065) . . .	47	37
11-45812	NUT, WATER INTAKE SCREEN SCREW	51	8	12-27727	WASHER, UPPER MOUNT BOLT (37/64 ID)	43	33
11-46793	NUT, CARBURETOR MOUNTING STUD	27	38	12-27939	WASHER, IGNITION DRIVER PILOT	11	23
11-46793	NUT, CRANKCASE SCREW .	31	15	12-28051	WASHER, LOWER MOUNT SCREW	43	22
11-46887	NUT CYLINDER BLOCK COVER RUBBER MOUNT	33	31	12-28053	WASHER, RUBBER - LOWER MOUNT SCREW	43	23
11-46887	NUT, ADAPTOR SCREW . . .	29	31	12-28196	WASHER, UPPER BUSHING RETAINER (INNER)	49	46
11-46887	NUT, CENTER MAIN BEARING CLAMPING SCREW	35	10	12-28421	WASHER, UPPER AND LOWER BUSHING RETAINER (OUTER)	49	51
11-46887	NUT, CRANKCASE RUBBER MOUNT	33	9	12-29245	WASHER, HORSESHOE SPRING TO ANCHOR PIN	11	8
11-46887	NUT, HARNESS SUPPORT SCREW	37	23	12-29245	WASHER, UPPER SWIVEL TO THROTTLE LEVER . . .	13	51
11-55910	NUT, PINION GEAR TO DRIVE SHAFT	51	12	12-29245	WASHER, WATER PUMP BODY AND BASE STUDS	51	26
11-68219	NUT, CHOKE SOLENOID TERMINAL ELECTRIC . . .	23	3	12-29395	WASHER, THROTTLE LEVER SCREW	13	46
11-68219	NUT, SOLENOID TERMINAL (#10) ELECTRIC	19	23	12-30119	WASHER, LOWER MOUNT SCREW	43	24
11-68411	NUT, CLAMP BRACKET BOLT	47	16	12-30164	WASHER, CHOKE SHUTTER CARBURETOR STUD	23	29

PARTS INDEX

Part Number	Description	Pg.	Ref. No.	Part Number	Description	Pg.	Ref. No.
12-30164	WASHER, FILTER SCREEN STUD	23	33	13-21272	LOCKWASHER, BEARING SCREW	41	31
12-30519	WASHER, UPPER MOUNT BOLD (3/8 ID)	43	35	13-21972	LOCKWASHER, CONNECTOR BASE	37	14
12-30771	WASHER, COVER FASTENING KNOB	7	3	13-26992	LOCKWASHER, COIL BRACKET SCREW	21	50
12-31266	WASHER, RUBBER - SHIFT SHAFT BUSHING	53	41	13-26992	LOCKWASHER, GROUND WIRE FASTENING SCREW	19	19
12-31992	WASHER, CUPPED - THRUST HUB	57	82	13-26992	LOCKWASHER, RAIL SCREW	41	34
12-32004	WASHER, THRUST - REVERSE GEAR	55	64	13-26992	LOCKWASHER, REAR HOOK MOUNTING SCREW	3	4
12-37998	WASHER, INTERLOCK CABLE	5	33	13-26992	WASHER, STARTER SOLENOID SCREW	19	28
12-38453	WASHER, CUPPED - WATER TUBE SEAL	53	29	13-26993	LOCKWASHER, CHOKE SOLENOID SCREW	23	5
12-38453	WASHER, NYLON - WATER INLET TUBE	39	3	13-26993	LOCKWASHER, CLAMP BRACKET STUD	47	10
12-45175	WASHER, DRIVE SHAFT HOUSING STUD (3/8")	57	76	13-26993	LOCKWASHER, RECTIFIER TO FRONT BRACKET	19	5
12-46101	WASHER, PLUNGER AND LINK ELECTRIC	23	8	13-26993	LOCKWASHER, SOLENOID TERMINAL (5/16"0	19	24
12-46246	WASHER, IGNITION DRIVE PILOT TO ADAPTOR	11	17	13-26993	LOCKWASHER, STARTER MOTOR SCREW	19	16
12-47275	WASHER, NEEDLE LOCATING	35	29	13-26995	LOCKWASHER, FLOAT BOWL COVER SCREW	25	12
12-47606	WASHER, SWIVEL PIN - LOWER	47	32	13-26996	LOCKWASHER, "U" LINK SCREW	23	19
12-49221	WASHER, GEAR HOUSING FLUSHING HOLE	53	34	13-26996	LOCKWASHER, CHOKE SOLENOID TERMINAL	23	2
12-52864	WASHER, CLAMP BRACKET TILT TUBE	47	5	13-26996	LOCKWASHER, IGNITION COIL SCREW	21	41
12-57837	WASHER, WAVE WASHER RETAINER	5	17	13-26996	LOCKWASHER, PLUG COVER SCREW	37	4
12-57860	WASHER, WEAR - STARTER PAWL	5	21	13-26996	LOCKWASHER, SOLENOID TERMINAL (#10)	19	22
12-59061	WASHER, STOP SWITCH	37	11	13-26996	LOCKWASHER, STOP SWITCH	37	12
12-59378	WASHER, LOWER BUSHING RETAINER (INNER)	49	47	13-26996	LOCKWASHER, WIRING HARNESS CLAMP SCREW	19	34
12-59572	WASHER, COVER FASTENING KNOB	7	4	13-27660	LOCKWAHSER, INTERLOCK CABLE SCREW	5	29
12-65791	WASHER, DRIVE SHAFT HOUSING STUD (7/16")	57	78	13-27959	WASHER, WAVE - IGNITION DRIVER BALL BEARING	11	25
12-65791	WASHER, GEAR HOUSING TO DRIVE SHAFT HOUSING STUDS (7/16")	43	6	13-36206	WASHER, WAVE - STARTER PAWL	5	13
12-66553	WASHER, FUEL PUMP SCREW	29	13	13-37371	LOCKWASHER, REAR SHILD SCREW	3	7
12-66966	WASHER, RUBBER - UPPER MOUNT BOLT	43	34	13-39107	LOCKWASHER, RETAINER TO TOP COWL SCREW	3	11
12-68229	WAHSER, FLYWHEEL NUT	9	2				
12-68300	WASHER, CLAMP BRACKET BOLT	47	15				
12-68410	WASHER, CLAMP BRACKET BOLT	47	15				
12-70988	WASHER, THUMB SCREW	47	3				
13-20160	WASHER, WAVE - RETAINER TENSION	5	18				
13-20202	LOCKWASHER, STARTER HOUSING SCREW	5	5				

PARTS INDEX

Part Number	Description	Pg.	Ref. No.	Part Number	Description	Pg.	Ref. No.
13-69150	WASHER, WAVE - TILT LOCK TUBE	47	28	16-69036	STUD, CARBURETOR - CHOKE SHUTTER PIVOT (1 3/8")	23	28
14-20091	TAB WASHER, BEARING LOCKING SCREW	31	17	16-69037	STUD, FILTER SCREEN TO CARBURETOR (1 1/8") . . .	23	32
14-27960	TAB WASHER, ADAPTOR CAP FASTENING	11	24	17-20032	DOWEL PIN, CENTER MAIN BEARING	35	5
14-29157	TAB WASHER, IGNITION DRIVER CAP FASTENING SCREW	15	27	17-20032	DOWEL PIN, MAIN BEARING	35	13
14-29157	TAB WASHER, IGNITION DRIVER COVER FASTENING SCREW	15	20	17-20032	DOWEL PIN, CYLINDER BLOCK TO MAIN BEARING	31	2
14-53012	TAB WASHER, GEAR HOUSING COVER	55	72	17-20033	DOWEL PIN, CRANKCASE TO CYLINDER BLOCK . . .	31	7
14-61004	TAB WASHER, SHEAVE SHAFT NUT	5	2	17-20323	DOWEL PIN, CYLINDER BLOCK TO CENTER MAIN BEARING	31	3
15-20082A1	SHIM, UPPER END CAP TO CYL. BLOCK/CRANKCASE (.002-3-5-10)	33	6	17-20379	DOWEL PIN, (STEPPED) . . .	35	11
15-20085A1	SHIM, LOWER END CAP TO CRANKCASE/BYL. BLOCK (.002-3-5-10)	33	16	17-21438	PIN, DOWEL - GEAR HOUSING	51	2
15-20927A1	SHIM, THRUST WASHER TO GEAR HSG. (.002-3-5-10) .	55	63	17-23928	PIN, ROLL - QUICK DISCONNECT LEVER . . .	39	15
15-20929A1	SHIM, BEARING TO GEAR HOUSING (.002-3-5-10) . .	53	48	17-24873	PIN, ROLL - FLANGE	11	30
15-38374A1	SHIM, BEARING CUP TO GEAR HSG. (.002-3-5-10) .	55	54	17-25391	RIVET, CHOKE SHUTTER TO CHOKE ROD	23	22
16-33778	STUD, WATER PUMP BODY/BASE TO GEAR HOUSING (2 5/8")	51	3	17-25598	PIN, REVERSE LOCK SPRING ATTACHING	47	36
16-39781	STUD, RIDE GUIDE BRACKET TO STEERING ARM (1 1/4")	47	34	17-26618	PIN, DOWEL - PULLEY TO FLYWHEEL	9	8
16-57932	STUD, DRIVE SHAFT HOUSING TO GEAR HOUSING (1 3/4")	43	3	17-27961	PIN, ECONOMIZER COLLAR - SPRING RETAINER	11	10
16-57933	STUD, GEAR HOUSING TO DRIVE SHAFT HOUSING (2 3/16")	51	4	17-27962	PIN, ANCHOR - HORSESHOE SPRING TO ANCHOR PIN	11	7
16-57935	STUD, DRIVE SHAFT HOUSING TO GEAR HOUSING (3")	43	4	17-29077	PIN, ROLL - TENSION SPRING TO KNOB	7	6
16-59625	STUD, CLAMP BRACKET . .	47	9	17-30545	PIN, DRIVE SHAFT	53	46
16-68164	STUD, CARBURETOR MOUNTING (1 1/4")	31	5	17-35973	DOWEL PIN, WATER PUMP BASE TO WATER PUMP BODY	51	18
16-68165	STUD, CRANKCASE TO DRIVE SHAFT HOUSING (1 9/16")	31	6	17-38113	PIN, CROSS - RATCHET TO PROPELLER SHAFT	55	59
16-68166	STUD, CYL. BLOCK TO DRIVE SHAFT HOUSING 3 5/16")	31	9	17-39023	PIN, REVERSE LOCK LEVER	43	10
16-68167	STUD, CYL. CLOCK TO DRIVE SHAFT HOUSING (1 15/16")	31	10	17-49930A1	TILT LOCK PIN ASSEMBLY .	47	12
16-68168	STUD CYL. BLOCK TO DRIVE SHAFT HOUSING (3 11/16")	31	8	17-58998	PIN, COWL LATCH LEVER TO HINGE	3	14
				17-65855	DOWEL PIN, REED LOCATING	35	14
				18-25191	COTTER PIN, PUSH ROD TO REVERSE LOCK	43	11
				18-26953	COTTER PIN, INERLOCK CABLE TO SLIDING CAM	5	34
				18-26953	COTTER PIN, LINK TO UPPER CHOKE SHUTTER ELECTRIC	23	9
				18-27769	COTTER PIN, "U" LINK TO CHOKE ROD	23	20
				18-45882	COTTER PIN, REVERSE LOCK TO SHAFT	49	44
				18-47959	COTTER PIN, TILT LOCK TUBE	47	26

PARTS INDEX

Part Number	Description	Pg.	Ref. No.	Part Number	Description	Pg.	Ref. No.
19-64649	PLUG, PLASTIC - TRIM TAB			23-59624	SPACER, CLAMP BRACKET		
	SCREW HOLE	43	2		STUD	47	8
21-30430A1	CHECK VALVE ASSEMBLY .	29	2	23-60242	SLEEVE, LUBRICATION -		
21-64871A2	CHECK VALVE ASSEMBLY,				DRIVE SHAFT	53	47
	BLEED HOSE (UPPER) . .	31	24	23-63061	SPACER, SHEAVE SHAFT .	5	15
22-22946	SLEEVE, RUBBER -			23-63100	BUSHING, SPRING GUIDE .	5	11
	CONNECTOR	29	17	23-65790	BUSHING, GUEL PUMP		
22-22947	SLEEVE, RUBBER	29	21		SCREW	29	14
22-22948	NUT, CONNECTOR TO FUEL			23-71574	BUSHING, TILT LOCK TUBE	47	27
	LINE	29	18	24-20099	SPRING, COMPRESSION -		
22-22948	NUT, ELBOW	29	22		LATCH SCREW	13	49
22-22949	CONNECTOR, PUMP			24-20254	SPRING, COMPRESSION -		
	OUTLET TO FUEL LINE . .	29	16		DRIVE SHAFT	53	45
22-22995	ELBOW FUEL PUMP INLET .	29	20	24-23067	SPRING, ADAPTOR STEM .	29	28
22-25094	FITTING GREASE - IGNITION			24-27944	SPRING, HOESHOE -		
	DRIVE ADAPTOR	11	22		IGNITION DRIVE PILOT . .	11	6
22-25094	FITTING, GREASE -			24-28965	SPRING, TENSION - CHOKE		
	ECONOMIZER COLLAR . .	11	11		ROD TO CARBURETOR . .	23	23
22-29111	CONNECTOR, BALANCE			24-28975	SPRING, GARTER -		
	TUBE TO CYLINDER				INTERNAL WIRING		
	BLOCK	31	20	24-29821	HARNESS ELECTRIC . . .	19	31
22-29111	CONNECTOR, WATER TELL				SPRING, REVERSE LOCK		
	TALE HOLE - CYLINDER				TENSION	49	41
	BLOCK	31	11	24-32271	SPRING, TENSION - COVER		
22-32802	PLUG, PIPE - CYLINDER				FASTENING KNOB	7	5
	BLOCK COVER	33	26	24-35522	SPRING, TENSION - LOWER		
22-32802	PLUG, PIPE - WATER				MOUNT CLAMP	43	18
	PRESSURE AND			24-37934	SPRING, SHIFT CABLE . . .	41	27
	BALANCE TUBE HOLES .	31	4	24-38005	SPRING, COMPRESSION -		
22-37682	CONNECTOR, FUEL LINE TO				QUICK DISCONNECT		
	ADAPTOR	29	24	24-38114	LEVER	39	13
22-65857	CONNECTOR, CYLINDER				SPRING, RETAINING -		
	BLEED HOSE (LOWER) . .	31	27		CROSS PIN	55	60
22-69059	FITTING, GREASE	47	21	24-39502A1	SPRING, STARTER REWIND	5	9
23-26600	BUSHING, NYLON - UPPER			24-39845	SPRING, COMPRESSION -		
	SHIFT SHAFT	39	23		CAM FOLLOWER	55	53
23-26856	BUSHING, TOGGLE SCREW	5	37	24-57279	SPRING, TOGGLE SCREW .	5	38
23-27132	BUSHING, EXHAUST			24-60239	SPRING, STOP SWITCH . . .	37	8
	EXTENSION PLATE	39	1	24-70086	SPRING, SLIDING CAM	5	32
23-28198	BUSHING, RUBBER - SHOCK			25-20081	"O" RING, LOWER END CAP	33	14
	ABSORBER (LOWER) . . .	49	50	25-20081	"O" RING, UPPER END CAP	33	4
23-28199	SPACER, UPPER SHOCK			25-20116	GROMMET, CHOKE KNOB .	3	15
	BUSHING TO CLAMP			25-20116	GROMMET, CHOKE KNOB .	23	16
	BRACKET	49	45	25-20273	RING, RUBBER -		
23-28458	SPACER, RECTIFIER TO				CENTRIFUGAL SLINGER .	53	30
	FRONT BRACKET			25-20415	"O" RING, ADAPTOR STEM .	29	27
	ELECTRIC	19	7	25-25439	"O" RING, SHIFT SHAFT		
23-29909	SPACER, DRIVE PULLEY . .	11	--		BUSHING	53	37
23-30438	BUSHING, NYLON - UPPER			25-26547	GROMMET, COIL WIRE		
	CHOKE SHUTTER(BRACKET	15	29
	ELECTRIC)	23	27	25-26855	"O" RING, WATER PUMP		
23-31915	SLEEVE, FUEL PUMP				BASE	51	14
	SCREW	29	15	25-31986	"O" RING, BEARING		
23-32171	BUSHING, RUBBER - SHOCK				CARRIER	55	66
	ABSORBER (UPPER)	49	49	25-52723	GROMMET, LIMIT STOP -		
23-37927	BUSHING, NYLON - QUICK				REAR COWL SUPPORT		
	DISCONNECT LEVER . . .	39	14	25-57806	BRACKET	3	17
23-45818	BUSHING, THROTTLE				GROMMET, TRIM COVER		
	LEVER SCREW	13	44		SCREW	45	47
				25-65936	"O" RING, UPPER MOUNT . .	43	26A

PARTS INDEX

Part Number	Description	Pg.	Ref. No.	Part Number	Description	Pg.	Ref. No.
26-23300	OIL SEAL, WATER PUMP BASE	51	17	29-20046	BEARING, NEDDLE - CRANKPIN	35	27
26-24590	OIL SEAL, SHIFT SHAFT BUSHING (LOWER)	53	39	29-20046	BEARING, NEEDLE	35	6
26-26782	OIL SEAL, WATER PUMP BASE	51	16	29-20063	BEARING, NEEDLE-PISONT PIN	35	28
26-29476	L, LOWER END CAP	33	13	30-20066	BALL BEARING, IGNITION DRIVE PILOT	11	5
26-29476	OIL SEAL	33	3	30-20080	BALL BEARING, LOWER END CAP	33	15
26-31249	OIL SEAL, SHIFT SHAFT BUSHING (UPPER)	53	40	30-20080	BALL BEARING, UPPER END CAP	33	5
26-32911	OIL SEAL, SWIVEL BRACKET	47	19	30-20839	BEARING, BALL - REVERSE GEAR	55	65
26-38452	SEAL, RUBBER - WATER TUBE	39	4	30-24998	BEARING, BALL - DRIVER END (1 3/8" O.D.)	15	10
26-38452	SEAL, WATER PUMP BODY TO WATER TUBE	53	28	30-49090	BEARING, BALL - IGNITION DRIVER END (1 1/4" O.D.)	15	12
26-69188	OIL SEAL, BEARING CARRIER (DOUBLE LIP)	55	69	31-21700	BEARING, ROLLER - BEARING CARRIER	55	68
26-69189	OIL SEAL, LINE CUTTER	55	70	31-21739	BEARING, ROLLER - FORWARD GEAR	55	56
27-25849	GASKET, STRAINER COVER (SMALL)	25	15	31-38146A1	ROLLER BEARING ASSEMBLY, TAPERED - DRIVE SHAFT	53	49
27-25851	GASKET, STRAINER COVER (LARGE)	25	13	31-38356A1	TAPERED ROLLER BEARING ASSEMBLY	55	55
27-27936	GASKET, TRANSFER PORT COVER	33	33	31-62091	BEARING, ROLLER - DRIVE UNIT	51	5
27-31402	GASLET. CARBURETOR FLANGE	27	37	32-26407	HOSE, TELL TALE HOSE TO BOTTOM COWL	37	24
27-32769	GASKET, LOWER - WATER PUMP BASE TO FACE PLATE	51	19	32-28052	SLEEVE, RUBBER - TILT LOCK PIN BUMPER	47	13
27-32770	GASKET, UPPER - FACE PLATE TO WATER PUMP BODY	51	21	32-28373	SLEEVE, RECTIFIER TERMINALS ELCTRIC	19	10
27-32771	GASKET, WATER PUMP BASE TO GEAR HOUSING	51	13	32-30036	FUEL LINE, FUEL PUMP TO ADAPTOR	29	23
27-37725	GASKETT, POWERHEAD TO EXHAUST EXTENSION PLATE	39	7	32-32094	FUEL LINE, PUMP TO LOWER AND UPPER FILTER	29	19
27-37816	GASKET, CYLINDER BLOCK COVER	33	27	32-34395A1	TUBE, BALANCE - MAIN BEARING (8")	31	19
27-38501	GASKET, EXHAUST EXTENSION PLATE TO DRIVE SHAFT HOUSING	39	11	32-34395A1	TUBE, DRAIN - FRONT SUPPORT BRACKET TO BOTTOM COWL	3	31
27-38501	GASKET, EXHAUST EXTENSION PLATE TO DRIVE SHAFT HOUSING	45	37	32-37727	TUBE, WATER INLET (SHORT SHAFT)	45	40
27-46110	GASKET, CYLINDER BLOCK TO BAFFLE PLATE	33	18	32-45679	TUBE, WATER INLET (LONG SHAFT)	45	40
27-46110A72	GASKET SET	1	-	32-46768	SLEEVE, SPARK PLUG LEAD (6")	15	32
27-46111	GASKET, BAFFLE PLATE TO EXHAUST COVER	33	20	32-54936	HOSE, CYLINDER BLEED	31	26
27-47190	GASKET, IGNITION DRIVER CAP	15	24	33-68057	SPARK PLUG (CHAMPION L- 76-V)	13	53
27-61031	GASKET, IGNITION DRIVER COVER	15	17	34-56704A1	REED SET, MATCHED - MAIN BEARING	35	17
28-20094	KEYWHEEL DRIVE	9	3	35-56197	SCREEN, FILTER - CARBURETOR	23	31
28-28657	KEY, IGNITION DRIVE	11	27	37-46397	DECAL, TIMING - FRONT SUPPORT BRACKET	3	23
28-30281	KEY, LOCATING - BEARING CARRIER	55	71	37-70017A75	DECAL SET	1	-
28-56662	KEY, IMPELLER DRIVE	51	23				

PARTS INDEX

Part Number	Description	Pg.	Ref. No.	Part Number	Description	Pg.	Ref. No.
39-27841A12	RING, PISTON	35	23	64-20053	REED STOP, MAIN BEARING		
39-28616A12	RING, PISTON (.015 OVERSIZE)	35	--	84-60871A10	REED VALVES	35	18
40-47276	LOCK RING, PISTON PIN	35	22		WIRE ASSEMBLY, COIL TO SWITCH BOX (BLACK)	21	42
43-55607	GEAR, PINION - DRIVE SHAFT	51	11	84-63212A2	SPARK PLUG LEAD ASSEMBLY (27 1/2")	15	31
43-55608	FORWARD GEAR ASSEMBLY	55	57	84-65773A2	GROUND STRAP ASSEMBLY ELECTRIC	19	29
43-66554	REVERSE GEAR ASSEMBLY	55	62	84-71440A1	WIRE ASSEMBLY, COIL TO SWITCH BOX (GREEN)	21	42
44-55911	SHAFT, PROPELLER	55	61	84-71441	WIRE, STARTER MOTOR TO SOLENOID AND TOP		
45-27951	SHFT, IGNITION DRIVE	11	2		MOUNT ELECTRIC	19	17
45-69164A2	DRIVE SHAFT ASSEMBLY (SHORT SHAFT)	53	44	84-71443	WIRING HARNESS (INTERNAL) ELECTRIC	19	30
45-69165A2	DRIVE SHAFT ASSEMBLY (LONG SHAFT)	53	44	85-71006A1	PROTECTOR ASSEMBLY, SPARK PLUG LEADS	17	33
46-48746A1	WATER PUMP BODY ASSEMBLY	51	24	87-	NUT, COVER MOUNTING SCREW	33	29
46-48746A2	HEAVY DUTY WATER PUMP	1	-	87-61577A1	CONTACT ASSEMBLY, STOP SWITCH	37	9
46-73842A2	WATER PUMP BASE ASSEMBLY	51	15	89-68258	STARTER SOLENOID ELECTRIC	19	21
47-65959	IMPELLER, WATER PUMP	51	22	90-71732	MERC 500 PARTS LIST	1	-
50-28985A1	STARTER CABLE ASSEMBLY	5	23	92-25234--1	GLUE (BLANKET ADHESIVE)	7	--
50-55601	STARTER MOTOR ASSEMBLY ELECTRIC	19	14	223-2402A13	FLYWHEEL ASSEMBLY (MANUAL)	9	4
50-65211	RATCHET, FLYWHEEL (MANUAL)	9	5	223-2403A18	FLYWHEEL ASSEMBLY (ELECTRIC)	9	4
50-66855A1	SHEAVE, ASSEMBLY	5	10	332-2854	BOOT, HIGH TENSION LEAD CABLE	15	30
52-47586	RATCHET, SLIDING CLUTCH	55	58	332-4895A2	IGNITION COIL ASSEMBLY	19	37
53-20048	RING, SNAP - OUTER RACE CLAMPING	35	8	333-3142A3	CAP ASSEMBLY, IGNITION DRIVER	15	22
53-29641	CLIP, RETAINING - SHIFT SHAFT	53	36	333-3143A1	ROTOR ASSEMBLY, IGNITION DRIVER	15	15
54-20386	CLAMP, BALANCE TUBE TO CONNECTORS	31	21	333-3165A1	BRUSH AND SPRING ASSEMBLY	15	23
54-20387	CLAMP, BLEED HOSE ATTACHING	31	28	333-3166	CAP, BEARING - IGNITION DRIVER HOUSING	15	13
54-22627	CLIP, IGNITION DRIVER LEAD	17	34	333-3172A1	TERMINAL BOARD ASSEMBLY, IGNITION DRIVER	15	3
54-23568	CLIP, SOLENOID LEAD AND HARNESS TO SUPPORT BRACKET ELECTRIC	3	28	333-3173	HARNESS, PRIMARY CABLE - IGNITION DRIVER	15	7
54-25231	CLIP, SOLENOID LEAD TO FRONT SUPPORT BRACKET ELECTRIC	3	28	333-3175	COIL ASSEMBLY, IGNITION DRIVER (RED)	15	5
54-26550	CLAMP, STATOR LEAD TO CRANKCASE ELCTRIC	9	14	333-3176	COIL ASSEMBLY, IGNITION DRIVE (BLUE)	15	6
54-46379	CLIP, STATOR LEAD TO CRANKCASE ELECTRIC	9	17	333-3198A1	SHAFT ASSEMBLY, IGNITION DRIVER	15	11
54-47187	SPRING, CLIP - IGNIITION DRIVER ROTOR	15	16	333-3213A3	SWITCH BOX ASSEMBLY, COMPLETE	19	1
54-47188	CLAMP, PRIMARY HARNESS CABLE - IGNITIN DRIVER	15	8	333-4639A1	COVER, IGNITION DRIVER	15	18
54-52876	CLAMP, WIRING HARNESS ELECTRIC	19	32	333-4674A3	IGNITION DRIVER ASEMBLY, COMPLETE	15	-
54-52905	CLIP, HIGH TENSION LEAD	33	24	333-4674A3	IGNITION DRIVER ASSEMBLY, COMPLETE	11	1
55-28416	PIN, UPPER SHOCK MOUNTING	47	17	333-4674A4	HOUSING, IGNITION DRIVER	15	1
55-58780A2	SHOCK ABSORBER	49	48				

PARTS INDEX

Part Number	Description	Pg.	Ref. No.	Part Number	Description	Pg.	Ref. No.
393-1275	SLEEVE, SPARK PLUG LEAD TO IGNITION DRIVER ...	15	--	1399-6126	JET, ECONOMIZER (.086) ..	25	9B
393-250A1	LEAD ASSEMBLY, HIGH TENSION DRIVER TO COIL	15	28	1399-6223	COVER, FLOAT BOWL	25	9
394-1134A2	GROUND STRAP ASSEMBLY	15	25	1399-94	LEVER, THROTTLE STOP(SEE NOTE BELOW)	25	20
398-2996	STATOR, ALTERNATOR - FLYWHEEL ELECTRIC ..	9	12	1440-5576A1	CLAMP BRACKET ASSEMBLY	47	1
400-4627	CRANKSHAFT	35	1	1472-5047A1	SWIVEL BRACKET ASSEMBLY (SHORT SHAFT)	47	18
500-5345A2	CENTER MAIN BEARING ASSEMBLY	35	4	1473-5048A1	SWIVEL BRACKET ASSEMBLY (LONG SHAFT)	47	18
534-3267A18	MAIN BEARING ASSEMBLY (VALVE TYPE)	35	12	1554-4813A2	DRIVE SHAFT HOUSING ASSEMBLY (SHORT SHAFT)	43	1
619-3195A2	CONNECTING ROD AND CAN ASSEMBLY	35	24	1564-4812A2	DRIVE SHAFT HOUSING ASSEMBLY (LONG SHAFT)	43	1
743-3366A2	PISOTN AND PISTON PIN ASSEMBLY (.015 OVERSIZE)	35	--	1643-4931A10	GEAR HOUSING ASSEMBLY, COMPLETE (LONG SHAFT)	55	-
743-5172A6	PISTON AND PISTON PIN ASSEMBLY	35	21	1643-4931A10	GEAR HOUSING ASSEMBLY, COMPLETE(LONG SHAFT)	51	-
831-5347A3	CYLINDER BLOCK AND CRANKCASE ASSEMBLY	31	1	1643-4931A29	GEAR HOUSING ASSEMBLY, COMPLETE (SHORT SHAFT)	55	-
831-5347A3	CYLINDER BLOCK AND CRANKCASE ASSEMBLY (SEE PAGE 19 FOR PARTS	33	1	1643-4931A29	GEAR HOUSING ASSEMBLY, COMPLETE(SHORT SHAFT)	51	-
1017-4002A1	COVER ASSEMBLY, CYLINDER BLOCK	33	25	1643-4931A30	GEAR HOUSING ASSEMBLY, COMPLETE (LONG SHAFT)	55	-
1100-3281A1	END CAP ASSEMBLY, UPPER	33	2	1643-4931A30	GEAR HOUSING ASSEMBLY, COMPLETE(LONG SHAFT)	51	-
1158-5302A1	END CAP ASSEMBLY, LOWER	33	11	1643-4931A6	GEAR HOUSING ASSEMBLY	51	1
1333-5818	CARBURETOR ASSEMBLY, COMPLETE	23	10	1643-4931A6	GEAR HOUSING ASSEMBLY (SEE PAGE 34 FOR PARTS BREAKDOWN) ...	55	1
1333-5818	CARBURETOR ASSEMBLY, COMPLETE	25	1	1643-4931A9	GEAR HOUSING ASSEMBLY, COMPLETE (SHORT SHAFT)	55	-
1333-5921	CARBURETOR ASSEMBLY, COMPLETE	23	10	1643-4931A9	GEAR HOUSING ASSEMBLY, COMPLETE(SHORT SHAFT)	51	-
1333-5921	CARBURETOR ASSEMBLY, COMPLETE	25	1	2104-5642A3	COWL FRONT COVER ASSEMBLY	7	1
1399-110A1	FLOAT ASSEMBLY	25	2	2116-5761A1	BOTTOM COWL ASSEMBLY	37	1
1399-1133	COVER, FLOAT BOWL	25	9	2117-3903	TOP COWL (ELECTRIC) ...	3	1
1399-1135	COVER, STRAINER	25	16	2117-3916	TOP COWL (MANUAL)	3	1
1399-1459	JET, MAIN FUEL (.059)	27	30	2118-3247A3	WRAP AROUND COWL ASSEMBLY	7	10
1399-1461	JET, MAIN FUEL (.061)	27	30				
1399-1465	JET, MAIN FUEL (.063) - STANDARD	27	30				
1399-1465	JET, MAIN FUEL (.065) - STANDARD	27	30				
1399-1473	INLET NEEDLE, SEAT AND GASKET	25	6				
1399-2012	SHAFT, THROTTLE	25	21				
1399-3392	SHUTTER, THROTTLE	25	25				
1399-3938	SCREEN, FILTER	25	14				
1399-5413	REPAIR PARTS KIT (1 PER CARBURETOR)	27	--				
1399-5812	SHUTTER, THROTTLE	25	25				
1399-5929	GASKET AND PAKCING SET (1 PER CARBURETOR) ..	27	--				