



PARTS CATALOG

233 ENGINE

SERIAL NUMBER

233 FORD 351 V-8 1975-1977	4173000 THRU 4902304
233 MIE FORD 351 V-8 1975-1976	4173000 THRU 4775784

TABLE OF CONTENTS:

CARBURETOR ASSEMBLY	22
CRANKSHAFT, PISTON AND CONNECTING ROD	48
CYLINDER BLOCK, CYLINDER HEAD AND INTAKE MANIFOLD	42
DISTRIBUTOR ASSEMBLY PRESTOLITE	14
DISTRIBUTOR ASSEMBLY, COMPLETE MERCURY MARINE	10
ENGINE MOUNTING (STERN DRIVE)	32
EXHAUST MANIFOLD AND EXHAUST ELBOW ASSEMBLY	26
FLYWHEEL HOUSING	64
FLYWHEEL HOUSING AND OIL COOLER	30
FUEL PUMP, FUEL FILTER AND CARBURETOR	18
OIL PUMP AND OIL PAN	46
PARTS INDEX	72
ROCKER COVER, CAMSHAFT AND VALVES	38
SHIFT BRACKET, REVERSE LOCK VALVE AND ARM ASSEMBLY (STERN DR	68
STARTER MOTOR AND ALTERNATOR	2
THERMOSTAT HOUSING, COVER AND EXHAUST ELBOW	28
TRANSMISSION AND ENGINE MOUNTING (INBOARD)	56
TRANSMISSION AND ENGINE MOUNTING (V-DRIVE)	62
TRANSMISSION AND RELATED PARTS (INBOARD)	52
TRANSMISSION AND RELATED PARTS (V-DRIVE)	58
WATER DISTRIBUTION HOSES	66
WATER PUMP ASSEMBLY, COMPLETE INBOARD	34
WIRE HARNESS, CIRCUIT BREAKER AND STARTER SOLENOID(INBOARD)	6
WIRE HARNESS, CIRCUIT BREAKER AND STARTER SOLENOID(STERN)	8

NOTE: *Indented description indicate that these parts are included in preceeding assembly.*

AR = As Required

NSS = Not Sold Separate

OPT = Optional

NS = Not Shown

THESE PARTS BOOKS/FICHE CARD ARE COPYRIGHTED AND MAY NOT BE DISTRIBUTED OR REPRODUCED IN ANY OTHER FORMAT BY ANYONE OTHER THAN MERCURY MARINE WITHOUT THE PRIOR WRITTEN CONSENT OF MERCURY MARINE.

REPLACEMENT PARTS ! WARNING !

Electrical, ignition and fuel system components on MerCruiser Engines and Stern Drives are designed and manufactured to comply with U.S. Coast Guard Rules and Regulations to minimize risks of fire or explosion. Use of replacement electrical, ignition or fuel system components, which do not comply to these rules and regulations, could result in a fire or explosion hazard and should be voided.

When servicing the electrical, ignition and fuel systems, it is extremely important that all components are properly installed and tightened. If not, any electrical or ignition component opening would permit sparks to ignite fuel vapors from fuel system leaks, if they existed.

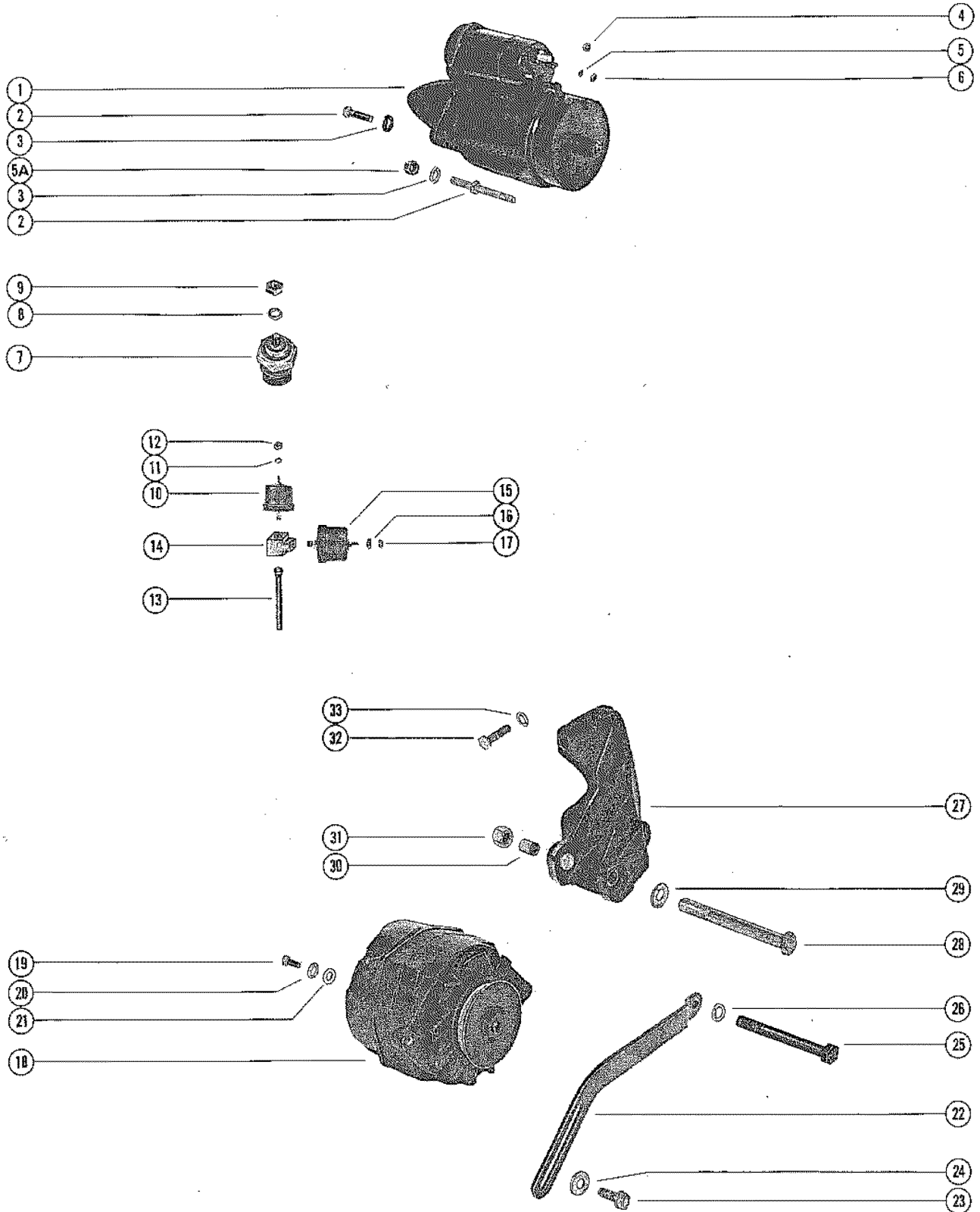
ENGINE MECHANICAL COMPONENTS

Many of the engine mechanical components are designed for marine applications. Unlike automotive engines, marine engines are subjected to extended periods of heavy load and wide- open-throttle operation, therefore, require heavy-duty components. Special marine engine parts have design and manufacturing specifications, which are required to provide long life and dependable performance. Marine engine parts also must be able to resist the corrosive action of salt or brackish water that will rust or corrode standard automotive parts within a short period of time.

Failure to use recommended Mercury Precision Parts OR Quicksilver service replacement parts can result in poor engine performance and/or durability, rapid corrosion of parts subjected to salt water and possibly complete failure of the engine.

Use of parts other than recommended service replacement parts will void the warranty on those parts which are damaged as a result of the use of other than recommended parts.

STARTER MOTOR AND ALTERNATOR

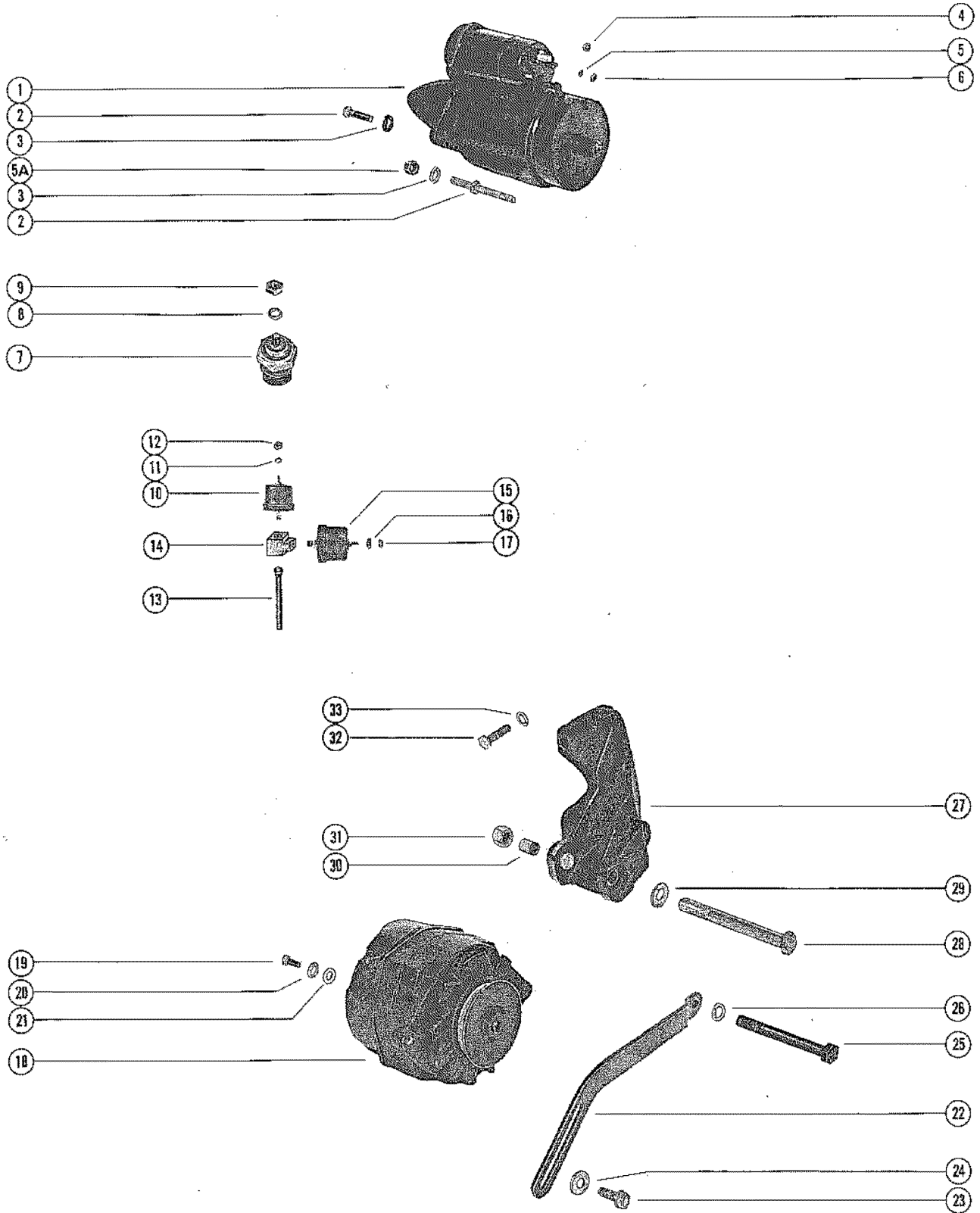


STARTER MOTOR AND ALTERNATOR

REF. NO.	PART NO.	SYM.	QTY.	DESCRIPTION
1	50-65784A1		1	STARTER MOTOR ASSEMBLY(LEFT HAND CRANKSHAFT ROTATION) SEE NOTE INBOARD
	50-65785A1		1	STARTER MOTOR ASSEMBLY (RIGHT HAND CRANKSHAFT ROTATION) SEE NOTE INBOARD
2	10-47462		2	SCREW, STARTER MOTOR TO FLYWHEEL HOUSING (1 1/4) INBOARD
3	13-32993		2	LOCKWASHER, STARTER MOTOR SCREW INBOARD
4	11-32219		1	NUT, STARTER TERMINAL (3/8) INBOARD
5	13-26995		2	LOCKWASHER. STARTER TEMINAL (#8) INBOARD
6	11-26419		2	NUT, STARTER TERMINAL (#8) INBOARD
1	50-69865		1	STARTER MOTOR ASSEMBLY(LEFT HAND CRANKSHAFT ROTATION)-SEE NO SEE NOTE STERN DRIVE
2	10-26632		1	SCREW, STARTER MOTOR FLYWHEEL HOOUSING(1 1/4")-LOWER STERN DRIVE
	16-64066		1	STUD, STARTER MOTOR TO FLYWHEEL HOUSING-UPPER STERN DRIVE
3	13-37459		2	;LOCKWASHER,STARTER MOTOR SCREW AND STUD STERN DRIVE
5	13-26993		1	LOCKWASHER, STARTER MOTOR TERMINAL STERN DRIVE
5A	11-32219		1	NUT,STARTER MOTOR STUD STERN DRIVE
6	11-21908		1	NUT, STARTER MOTOR TERMINAL (5/16"-18) STERN DRIVE
	11-20640		1	NUT, STARTER MOTOR TERMINAL (5/16"-24) STERN DRIVE
7	34625		1	WATER TEMPERATURE SENDER ASSEMBLY
8	13-26996		1	LOCKWASHER,WATER TEMPERATURE SENDER TEMINAL (#10)
9	11-20645		1	NUT, WATER TEMPERATURE SENDER TERMINAL (#10)
10	34623		1	OIL PRESSURE SENDER ASSEMBLY (FOR GAUGE)
11	13-26996		1	LOCKWASHER, OIL PRESSURE SENDER TERMINAL (#10)
12	11-20645		1	NUT, OIL PRESSURE SENDER TERMINAL (#10)
13	22-54522		1	NIPPLE, OIL PRESSURE SENDER
14	22-64485		1	FITTING, TEE-OIL PRESSURE SENDER SERIAL 00000000-04497140
	22-56770		1	COUPLING, OIL PRESSURE SENDER SERIAL 04497141-09999999
15	38559		1	SWITCH, OIL PRESSURE (FOR IGNITION LIGHT) SERIAL 00000000-04497140
16	12-20878		1	WASHER, OIL PRESSURE SWITCH TERMINAL(#10) SERIAL 00000000-04497140
17	11-20645		1	NUT,OIL PRESSURE SWITCH TERMINAL (#10) SERIAL 00000000-04497140
18	69729		1	ALTERNATOR ASSEMBLY
19	10-20055		1	SCREW, WIRING HARNESS TO ALTERNATOR (3/8")
20	13-26996		1	LOCKWASHER, WIRING HARNESS SCREW
21	12-30164		1	WASHER, WIRING HARNESS SCREW
22	54479		1	BRACE, ALTERNATOR ADJUSTING
23	10-29198		1	SCREW, ALTERNATOR BRACE TO ALTERNATOR (7/8")
24	12-26168		1	WASHER, ALTERNATOR BRACE SCREW

CONTINUED ON NEXT PAGE ➡

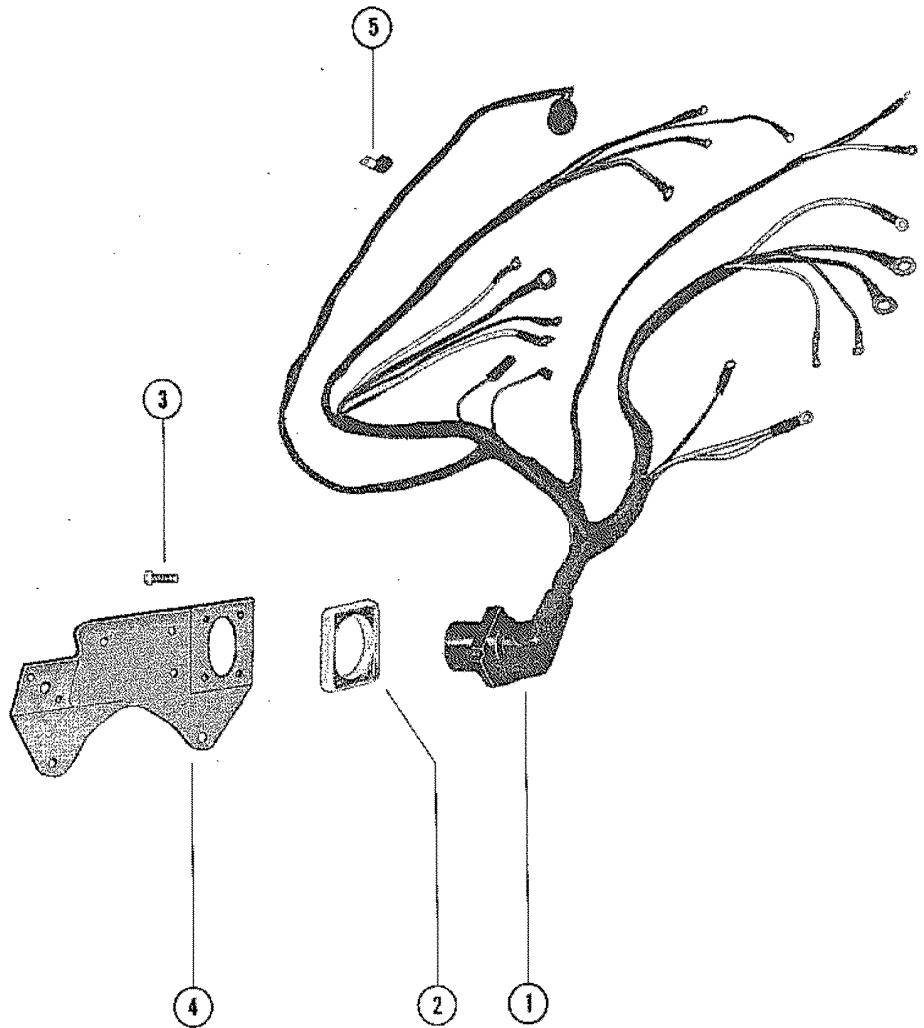
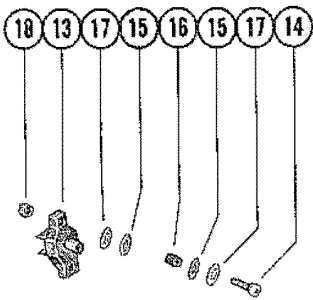
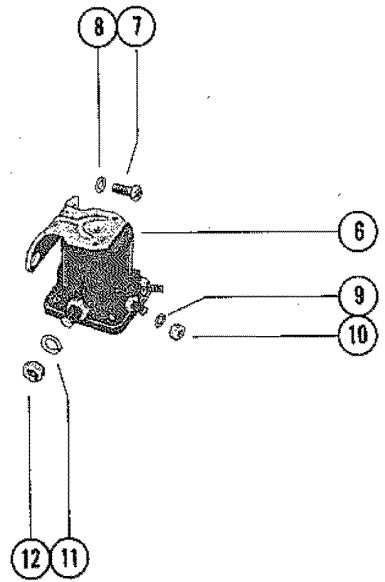
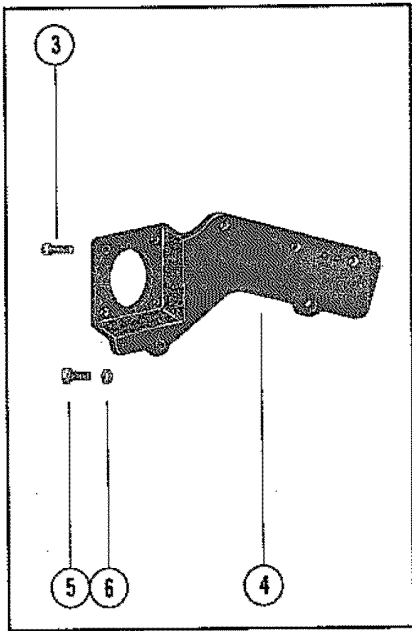
STARTER MOTOR AND ALTERNATOR



STARTER MOTOR AND ALTERNATOR

REF. NO.	PART NO.	SYM.	QTY.	DESCRIPTION
25	10-55300		1	SCREW, ALTERNATOR BRACE TO CYLINDER BLOCK (5 1/4")
26	13-39107		1	LOCKWASHER, ALTERNATOR BRACE SCREW
27	54464		1	BRACKET, ALTERNATOR MOUNTING
28	10-48308		1	SCREW, ALTERNATOR TO ALTERNATOR BRACKET (3 3/4")
29	12-20553		2	WASHER, ALTERNATOR BRACKET SCREW
30	23-63764		1	BUSHING, ALTERNATOR BRACKET SCREW
31	11-23161		1	NUT, ALTERNATOR BRACKET SCREW
32	10-37612		2	SCREW, ALTERNATOR BRACKET TO TIMING COVER (1 1/4")
33	13-37459		2	LOCKWASHER, ALTERNATOR BRACKET SCREW

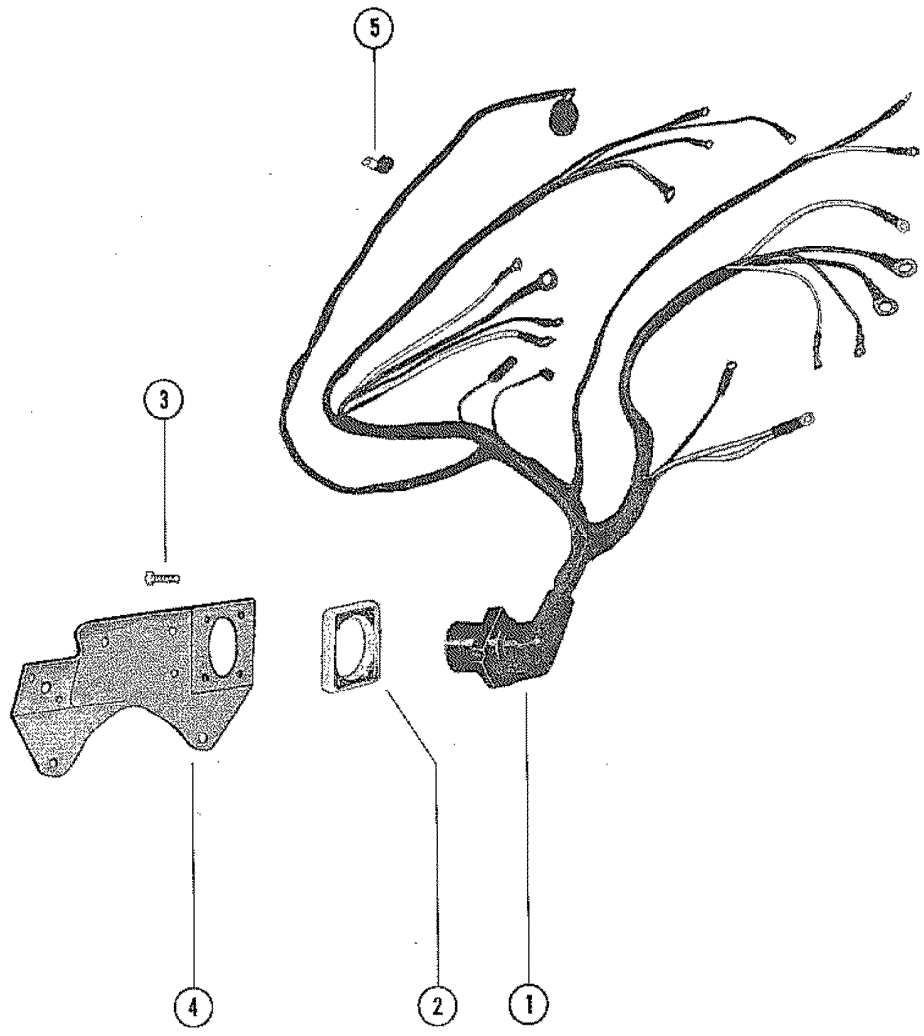
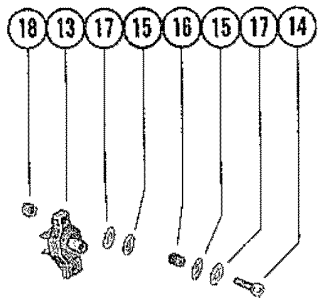
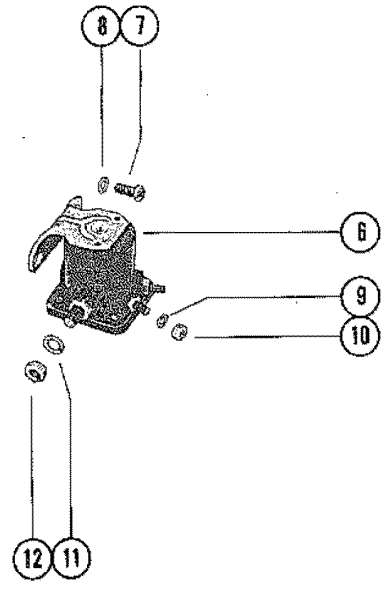
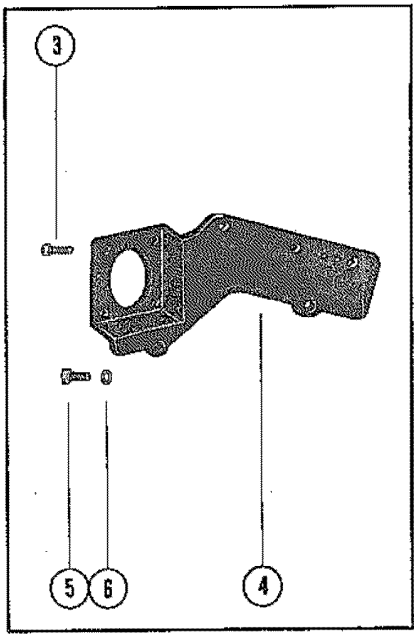
WIRE HARNESS, CIRCUIT BREAKER AND STARTER SOLENOID(INBOARD)



WIRE HARNESS, CIRCUIT BREAKER AND STARTER SOLENOID(INBOARD)

REF. NO.	PART NO.	SYM.	QTY.	DESCRIPTION
1	84-64635		1	WIRING HARNESS
2	26079		1	PLATE, WIRING HARNESS TO MOUNTING BRACKET
3	10-46718		4	SCREW, WIRING HARNESS PLATE TO MOUNTING BRACKET (3/4")
4	64709		1	BRACKET, MOUNTING-ELECTRICAL
5	54-61001		1	CLIP, WIRING HARNESS TO ROCKER COVER
6	25661		1	STARTER SOLENOID
7	10-28063		2	SCREW, STARTER SOLENOID TO MOUNTING BRACKET (5/8")
8	13-26992		2	LOCKWASHER, STARTER SOLENOID SCREW
9	13-26996		2	LOCKWASHER, STARTER SOLENOID TERMINAL (#10)
10	11-20645		2	NUT, STARTER SOLENOID TERMIAL (10-32)
11	13-26993		2	LOCKWASHER, STARTER SOLENOID TERMINAL (5/16")
12	11-20083		2	NUT, STARTER SOLENOID TERMINAL (5/16")
13	88-65093		1	CIRCUIT BREAKER
	13-26996		1	LOCKWASHER, CIRCUIT BREAKER TERMINAL
	11-20645		1	NUT, CIRCUIT BREAKER TERMINAL
14	10-47618		2	SCREW, CIRCUIT BREAKER TO BRACKET (1")
15	25-61999		4	GROMMET, CIRCUIT BREAKER SCREW
16	23-61998		2	SPACER, CIRCUIT BREAKER GROMMET
17	12-47960		4	WASHER, CIRCUIT BREAKER SCREW
18	11-46438		2	NUT, CIRCUIT BREAKER SCREW

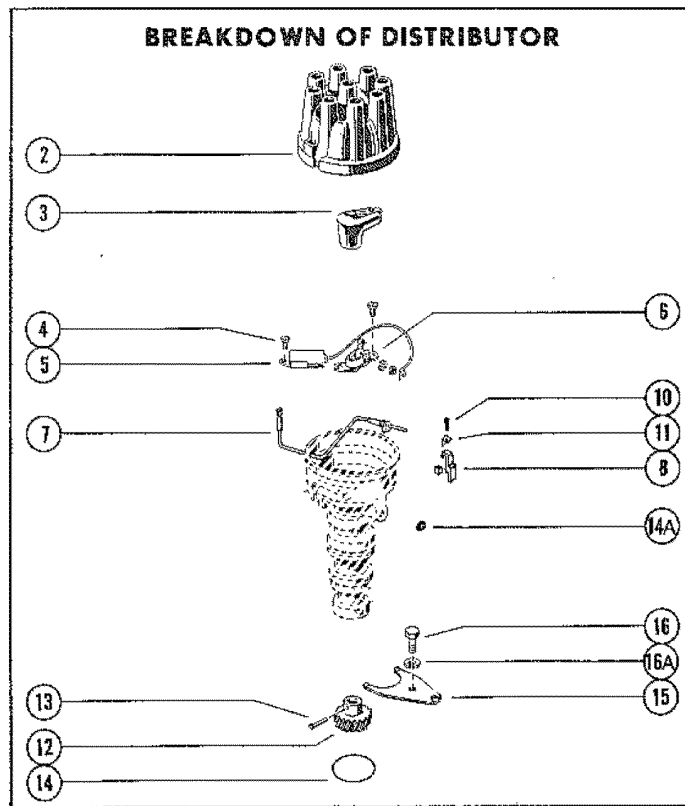
WIRE HARNESS, CIRCUIT BREAKER AND STARTER SOLENOID(STERN)



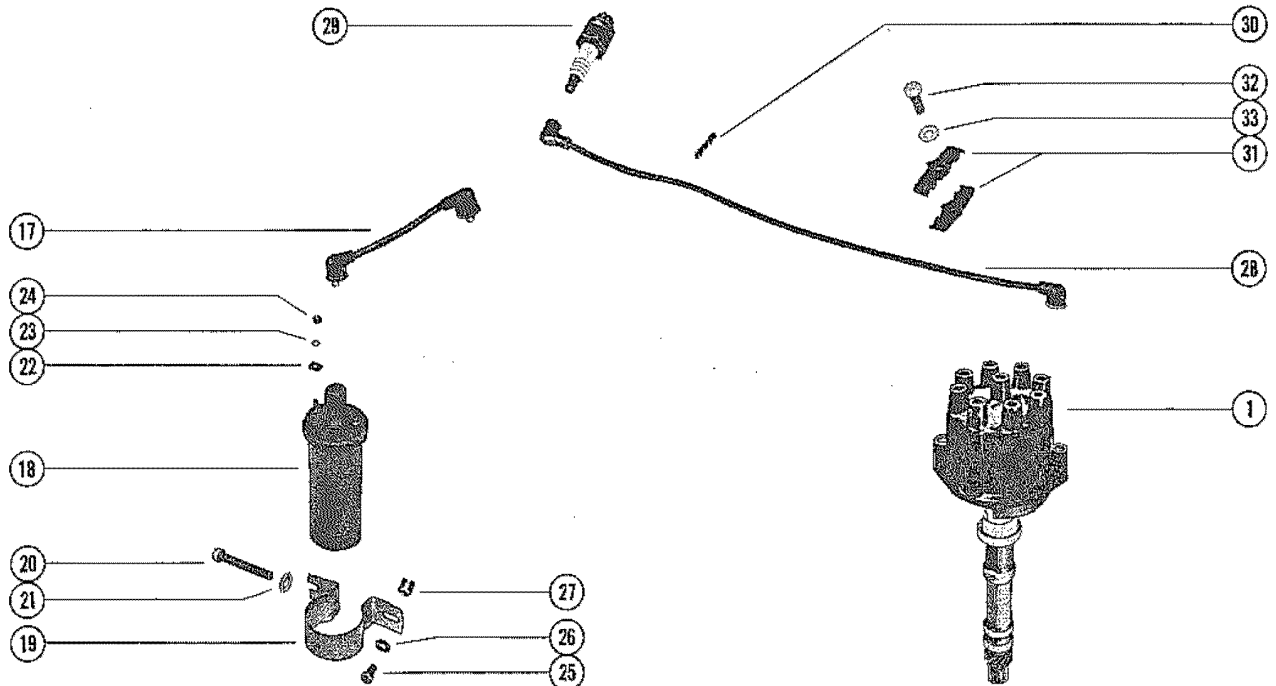
WIRE HARNESS, CIRCUIT BREAKER AND STARTER SOLENOID(STERN)

REF. NO.	PART NO.	SYM.	QTY.	DESCRIPTION
1	84-71150		1	WIRING HARNESS
2	26079		1	PLATE, WIRING HARNESS TO MOUNTING BRACKET
3	10-46718		4	SCREW, WIRING HARNESS PLATE TO MOUNTING BRACKET (3/4")
4	70649		1	BRACKET, MOUNTING-HARNESS AND CIRCUIT BREAKER
5	10-47576		1	SCREW, MOUNTING BRACKET ATTACKET ATTACHING (3/4")
6	13-39107		1	LOCKWASHER, MOUNTING BRACKET SCREW
7	54869		1	BRACKET, MOUNTING-STARTER SOLENOID
8	36177		1	INSULATOR, SOLENOID TO MOUNTING BRACKET
9	54-61001		1	CLIP, WIRING HARNESS TO ROCKER COVER
10	89-76416A1		1	STARTER SOLENOID
11	10-22956		2	SCREW, STARTER SOLENOID TO MOUNTING BRACKET (7/8")
12	12-22937		2	WASHER, STARTER SOLENOID SCREW
13	11-20586		2	NUT, STARTER SOLENOID SCREW
14	13-26996		2	LOCKWASHER, STARTER SOLENOID TERMINAL (#10)
15	11-20645		2	NUT, STARTER SOLENOID TERMINAL (10-32)
16	13-26993		2	LOCKWASHER, STARTER SOLOENOID TERMINAL (5/6")
17	11-20083		2	NUT, STARTER SOLENOID TERMINAL (5/6"-24)
	11-21908		2	NUT, STARTER SOLENOID TERMINAL (5/6"-18)
18	59646		1	CABLE, SOLENOID TO MOTOR (YELLOW-11") SERIAL 00000000-04497140
	84-77042		1	CABLE,SOLENOID TO MOTOR (YELLOW-12 1/2") SERIAL 04497141-09999999
19	88-65093		1	CIRCUIT BREAKER (NOT AS SHOWN)
-	11-20645		2	NUT, CIRCUIT BREAKER TERMINAL
-	13-26996		2	LOCKWASHER, CIRCUIT BREAKER TERMINAL
20	10-47618		2	SCREW, CIRCUIT BREAKER TO BRACKET (1")
21	25-61999		4	GROMMET, CIRCUIT BREAKER SCREW
22	12-47960		4	WASHER, CIRCUIT BREAKER SCREW
23	23-61998		2	SPACER, CIRCUIT BREAKER GROMMET
24	11-46438		2	NUT, CIRCUIT BREAKER SCREW
25	45915		1	TERMINAL BLOCK SERIAL 04474706-09999999
26	10-48591		1	SCREW, TERMINAL BLOCK TO MOUNTING BRACEKT SERIAL 04474706-09999999
27	10-62568		1	SCREW, TRIM LEADS TO TERMIMAL SERIAL 04474706-09999999

DISTRIBUTOR ASSEMBLY, COMPLETE MERCURY MARINE



MERCURY MARINE

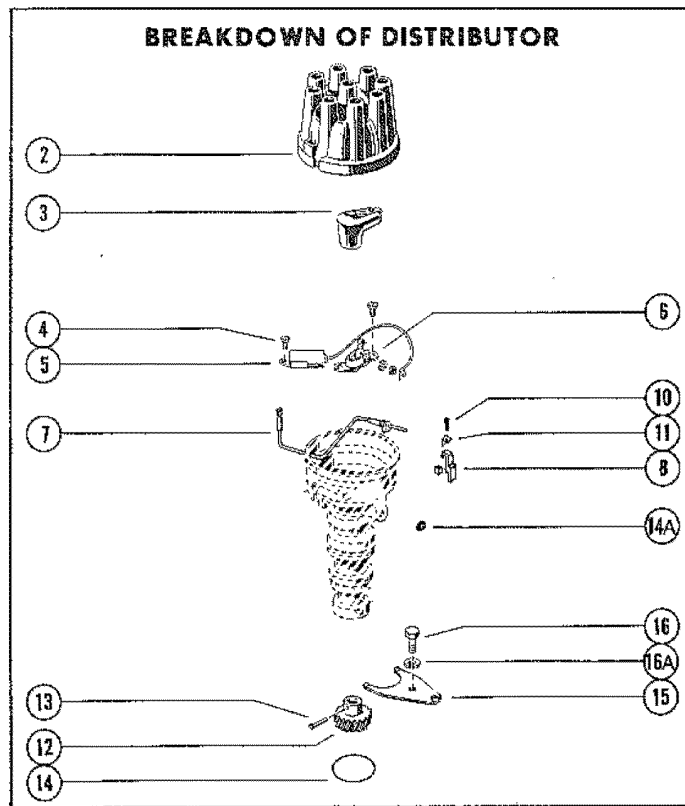


DISTRIBUTOR ASSEMBLY, COMPLETE MERCURY MARINE

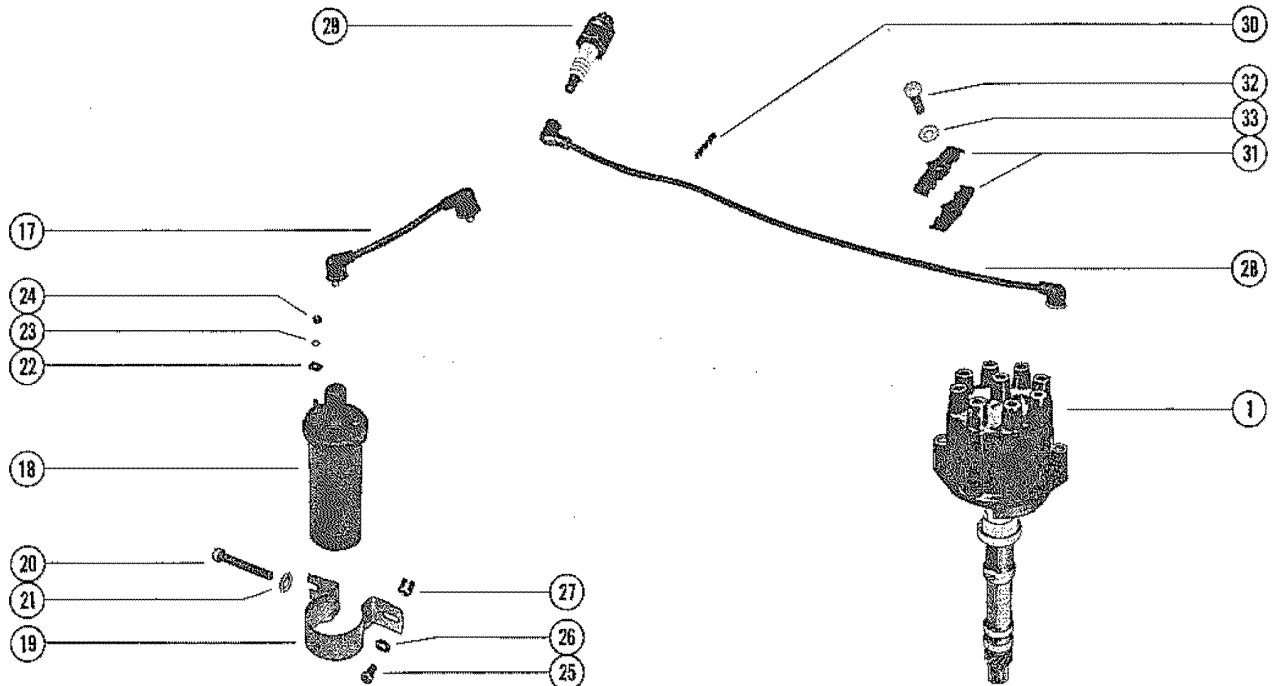
REF. NO.	PART NO.	SYM.	QTY.	DESCRIPTION
1	64026A2		1	DISTRIBUTOR ASSEMBLY, COMPLETE LEFT HAND CRANKSHAFT ROTATION
	64026A3		1	DISTRIBUTOR ASSEMBLY, COMPLETE (RIGHT HAND CRANKSHAFT ROTATI
2	393-4988		1	CAP, DISTRIBUTOR
-	37-54675		1	DECAL. DISTRIBUTOR CAP
3	65864		1	ROTOR
4	10-36046		3	SCREW,BREAKER AND CONDENSER ATTACHING (1/4")
5	81-64851		1	CONDENSER
6	64850		1	BREAKER ASSEMBLY
7	84-64846		1	LEAD ASSEMBLY,PRIMARY TERMINAL
8	54-65783A2		2	CLAMP ASSEMBLY, DISTRIBUTOR CAP ATTACHING
10	10-21335		2	SCREW, CLAMP TO DISTRIBUTOR (7/8")
11	13-26996		2	LOCKWASHER, DISTRIBUTOR CLAMP SCREW
12	43-64907		1	GEAR, DRIVE (LEFT HAND CRANKSHAFT ROTATION)
	43-64908		1	GEAR, DRIVE (RIGHT HAND CRANKSHAFT ROTATION)
13	17-58021		1	PIN, DRIVE GEAR
14	27-58025		1	"O" RING, DISTRIBUTOR
14A	35-60047A1		2	SCREEN, FLAME ARRESTOR
15	58258		1	CLAMP, DISTRIBUTOR TO INTAKE MAANIFOLD
16	10-58259		1	SCREW, DISTRIBUTOR CLAMP ATTACHING (7/8")
16A	13-58260		1	LOCKWASHER, DISTRIBUTOR CLAMP ATTACHING SCREW
17	84-65796		1	LEAD ASSEMBLY,DISTRIBUTOR TO COIL (8 1/2")
18	26433		1	COIL, IGNITION SERIAL 00000000-04474705
19	33321		1	BRACKET, IGNITION COIL MOUNTING SERIAL 00000000-04474705
20	10-33311		1	SCREW, BRACKET TO IGNITION COIL (1 1/2") SERIAL 00000000-04474705
18	32193		1	COIL, IGNITION SERIAL 04474706-09999999
19	65970		1	BRACKET, IGNITION, COIL MOUNTING SERIAL 04474706-09999999
20	10-66652		1	SCREW, BRACKET TO IGNITION COIL (1 1/2") SERIAL 04474706-09999999
21	13-35048		1	LOCKWASHER, BRACKET SCREW
22	12-30164		2	WASHER, IGNITION COIL TERMINAL
23	13-26996		2	LOCKWASHER, IGNITION COIL TERMINAL
24	11-20645		2	NUT, IGNITION COIL TERMINAL STERN DRIVE
25	10-34613		1	SCREW, IGNITION COIL ATTACHING (1 3/4") STERN DRIVE
26	12-20553		1	WASHER, IGNITION COIL ATTACHING SCREW STERN DRIVE
27	23-60339		1	SPACER, IGNITION COIL ATTACHING SCREW STERN DRIVE
25	10-26632		1	SCREW, IGNITION COIL ATTACHING(1 1/4") INBOARD
26	12-20553		1	WASHER, IGNITION COIL ATTACHING SCREW INBOARD
27	23-36534		1	SPACER, IGNITION COIL ATTACHING SCREW INBOARD
28	84-67957--5		1	LEAD ASSEMBLY, HIGH TENSION (38 1/2")
	84-67957--8		1	LEAD ASSEMBLY, HIGH TENSION (37")-CYL. #4

CONTINUED ON NEXT PAGE ➡

DISTRIBUTOR ASSEMBLY, COMPLETE MERCURY MARINE



MERCURY MARINE

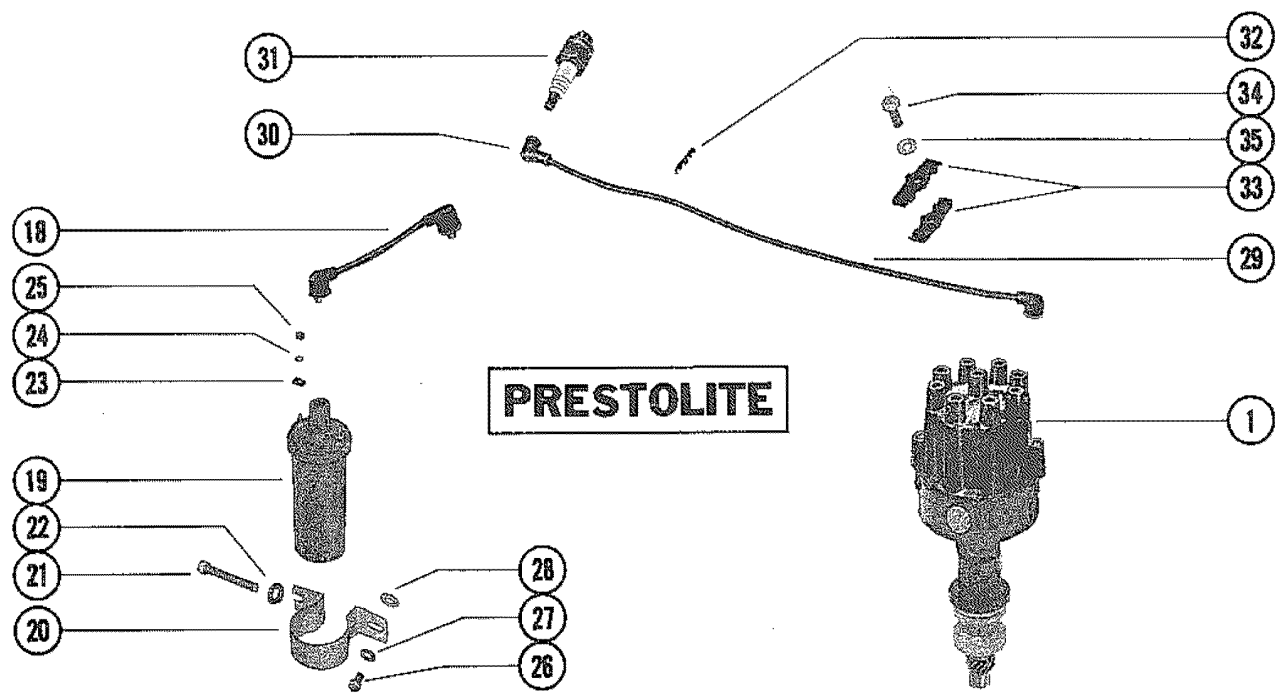
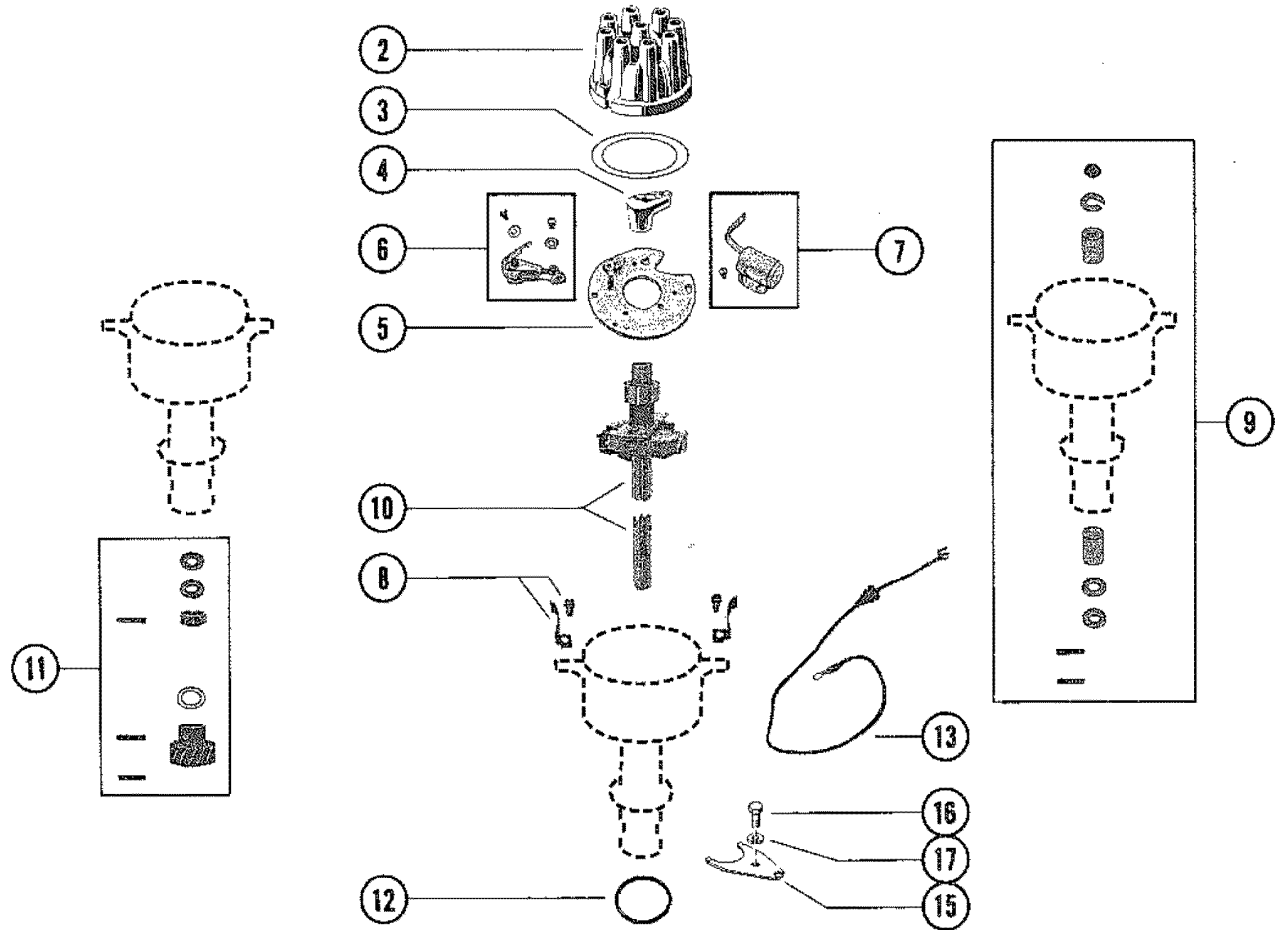


DISTRIBUTOR ASSEMBLY, COMPLETE MERCURY MARINE

REF. NO.	PART NO.	SYM.	QTY.	DESCRIPTION
28	84-67957--4		1	LEAD ASSEMBLY, HIGH TENSION (34")-CYL.#7
	84-67957--1		1	LEAD ASSEMBLY, HIGH TENSION (31")-CYL.#3
	84-67957--2		2	LEAD ASSEMBLY, HIGH TENSION (28")-CYL.#2 AND #6
	84-67957--7		2	LEAD ASSEMBLY, HIGH TENSION (28")-CYL.#1 AND #5
29	33-61783		8	SPARK PLUG (AC#C83T)
30	54676		2	RETAINER, HIGH TENSION LEADS (2 WIRE)
	32783		2	RETAINER, HIGH TENSION LEADS (3 WIRE)
	32784		4	RETAINER, HIGH TENSION LEADS (4 WIRE)
31	63192		4	RETAINER, HIGH TENSION LEADS
32	10-47462		2	SCREW, RETAINER ATTACHING (1 1/4")
33	12-34567		2	WASHER, RETAINER SCREW

DISTRIBUTOR ASSEMBLY PRESTOLITE

BREAKDOWN OF DISTRIBUTOR



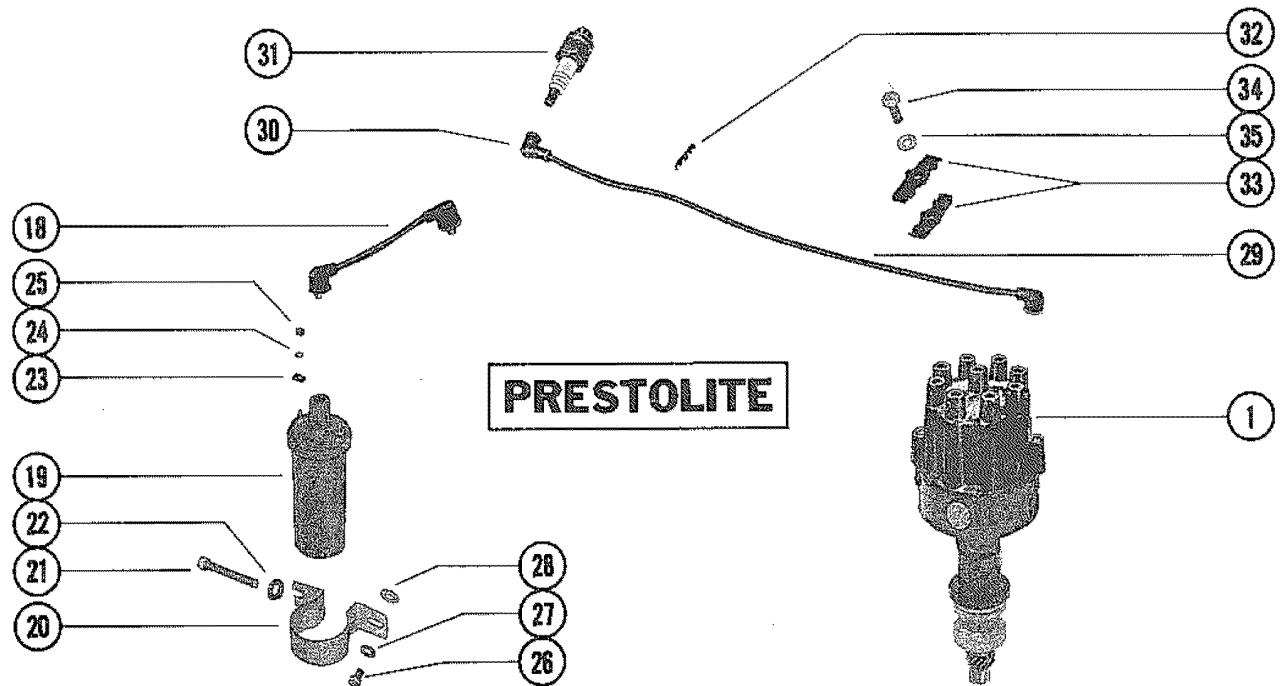
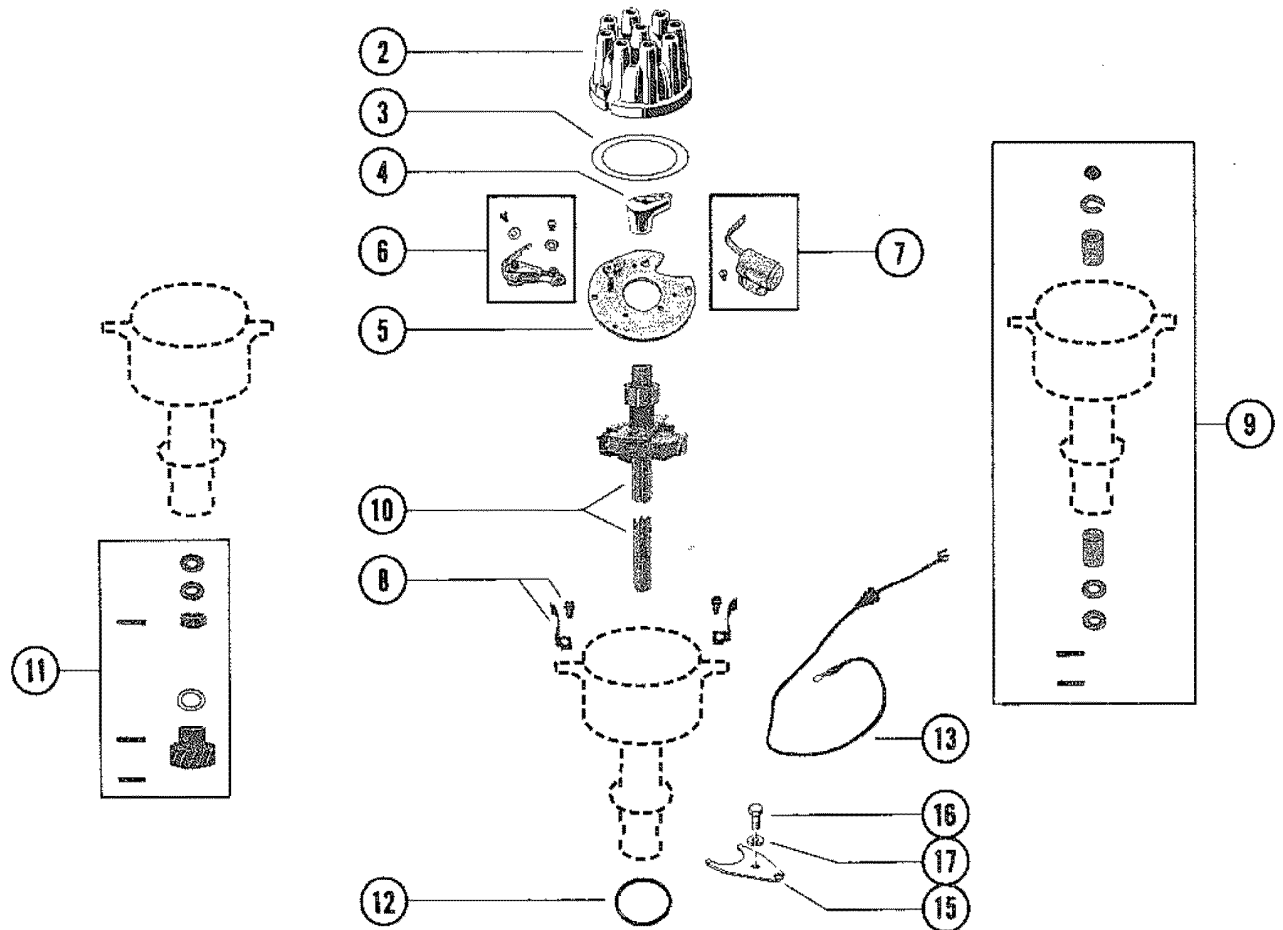
DISTRIBUTOR ASSEMBLY PRESTOLITE

REF. NO.	PART NO.	SYM.	QTY.	DESCRIPTION
1	392-6330		1	DISTRIBUTOR (L/H CRANKSHAFT ROTATION)
	392-6335		1	DISTRIBUTOR (R/H CRANKSHAFT ROTATION)
2	392-6318		1	CAP, DISTRIBUTOR
3	392-6329		1	GASKET, DISTRIBUTOR CAP
2	392-9766		1	CAP, DISTRIBUTOR
4	392-6326		1	ROTOR
	392-9767		1	ROTOR
5	392-6323		1	PLATE
6	392-6325		1	BREAKER
7	392-6324		1	CONDENSER
8	392-6319		1	SPRING, DISTRIBUTOR CAP
9	392-6331		1	BEARING
10	392-6334		1	SHAFT
	392-9768		1	SHAFT
11	392-6332		1	GEAR AND COLLAR(L/H CRANKSHAFT ROTATION)
	392-6336		1	GEAR AND COLLAR(R/H CRANKSHAFT ROTATION)
12	392-6333		1	O-RING(1- 1/2"O.D.)
13	392-6322		1	PRIMARY LEAD
	392-9088		1	PRIMARY LEAD
15	58258		1	DISTRIBUTOR CLAMP
16	10-58259		1	SCREW, DISTRIBUTOR CLAMP
17	13-58260		1	LOCKWASHER, CLAMP SCREW
18	84-75780		1	LEAD ASSEMBLY, DISTRIBUTOR
19	32193		1	IGNITION COIL
20	65970		1	BRACKET, IGNITION COIL
21	10-66652		1	SCREW, BRACKET
22	13-34058		1	LOCKWASHER, BRACKET SCREW
23	12-30164		2	WASHER, IGNITION COIL TERMINAL
24	13-26996		2	LOCKWASHER, IGNITION COIL TERMINAL
25	11-68219		2	NUT, IGNITION COIL TERMINAL
26	10-98556		1	SCREW, IGNITION COIL (1-3/4") STERN DRIVE
27	12-20553		1	WASHER, IGNITION COIL SCREW STERN DRIVE
28	23-60339		1	SPACER, INGITION COIL SCREW STERN DRIVE
26	10-26632		1	SCREW,IGNITION COIL (1-1/4") INBOARD
27	12-20553		1	WASHER, INGITION COIL SCREW INBOARD
28	23-90523		1	SPACER, IGNITION COIL SCREW INBOARD
29	84-43376A9		1	LEAD ASSEMBLY, HIGH TENSION
30	85-63709A1		8	PROTECTOR, SPARK PLUG
31	33-61783		8	SPARK PLUG(18MM)
	33-76154		8	SPARK PLUG (14MM)
32	54676		2	RETAINER (2 WIRE)

CONTINUED ON NEXT PAGE ➡

DISTRIBUTOR ASSEMBLY PRESTOLITE

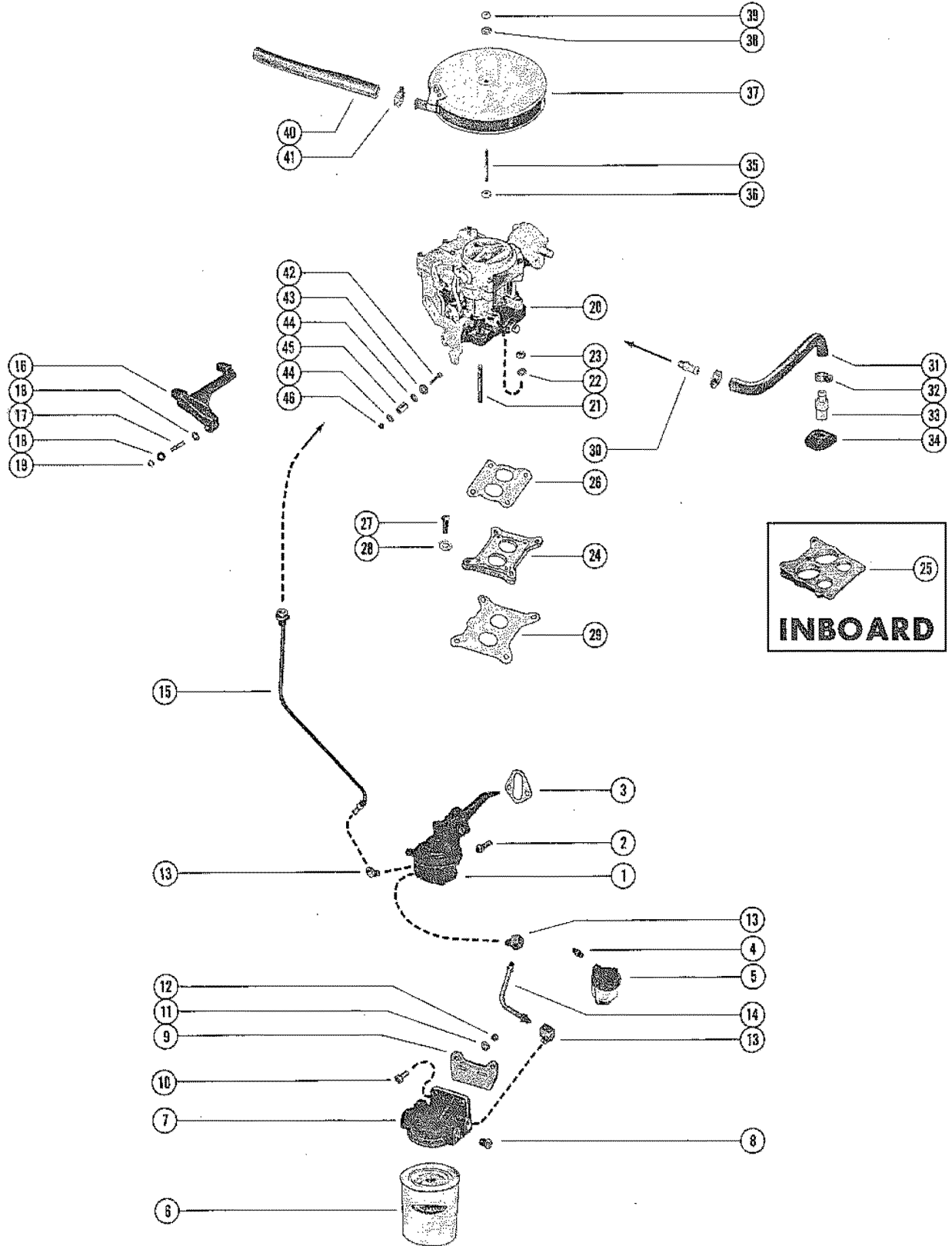
BREAKDOWN OF DISTRIBUTOR



DISTRIBUTOR ASSEMBLY PRESTOLITE

REF. NO.	PART NO.	SYM.	QTY.	DESCRIPTION
32	32783		2	RETAINER (3 WIRE)
	32784		2	RETAINER (4 WIRE)
33	63192		4	RETAINER
34	10-47462		2	SCREW, RETAINER (1/4")
35	12-34567		2	WASHER, RETAINER SCREW

FUEL PUMP, FUEL FILTER AND CARBURETOR

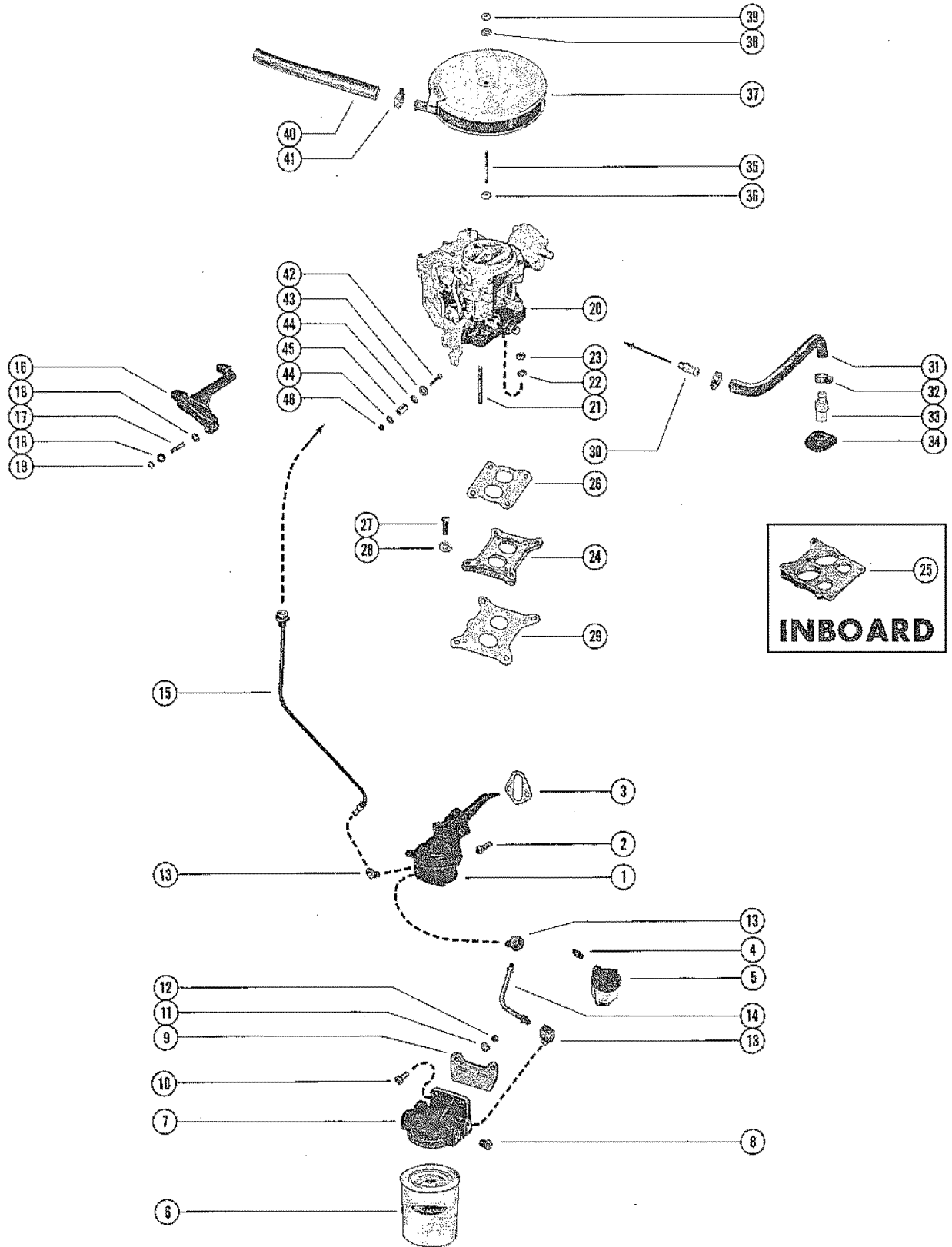


FUEL PUMP, FUEL FILTER AND CARBURETOR

REF. NO.	PART NO.	SYM.	QTY.	DESCRIPTION
1	62092		1	FUEL PUMP ASSEMBLY
2	10-56882		2	SCREW, FUEL PUMP TO CYLINDER BLOCK (1 1/2")
3	27-34213		1	GASKET, FUEL PUMP
4	22-32778		1	NIPPLE, SIGHT GLASS TO FUEL PUMP
5	47816		1	SIGHT GLASS
6	35-60494		1	FUEL FILTER
7	55481		1	BASE, FUEL FILTER
8	22-36382		1	PLUG, PIPE- FUEL FILTER BASE
9	54646		1	BRACKET, MOUNTING - FUEL FILTER
10	10-20639		2	SCREW, FUEL FILTER TO MOUNTING BRACKET (1 1/8")
11	12-20084		2	WASHER, FUEL FILTER SCREW
12	11-35814		2	NUT, FUEL FILTER SCREW
13	22-33821		3	FITTING, FUEL LINE TO FUEL PUMP, FUEL FILTER AND CARBURETOR
14	32-64967		1	FUEL LINE, FUEL FILTER TO FUEL PUMP (STEEL TUBING)
15	32-71363		1	FUEL LINE, PUMP TO CARBURETOR (STERN DRIVE & V-DRIVE)
	32-71364		1	FUEL LINE, PUMP TO CARB. (STEEL)-INBOARD
16	70126		1	BRACKET, MOUNTING-THROTTLE CABLE
17	16-38525		1	STUB, CABLE TO BRACKET (1 5/8")
18	12-21631		2	WASHER, THROTTLE CABLE STUD
19	11-20361		1	NUT, THROTTLE CABEL STUD
20	1376-5744A1		1	CARBURETOR ASSEMBLY SERIAL 00000000-04465029
	1376-6152A1		1	CARBURETOR ASSEMBLY SERIAL 04465030-09999999
21	16-70236		2	STUD, CARBURETOR TO INTAKE MANIFOLD(1 9/16")
	16-70237		2	STUD, CARBURETOR TO MANIFOLD (2 11/16")
22	12-20084		4	WASHER, CARBURETOR STUD
23	11-46793		4	NUT, CARBURETOR STUD
24	66012		1	ADAPTOR, CARBURETOR(STERN DRIVE & V-DRIVE)
25	70581		1	WEDGE, CARBURETOR MOUNTING (INBOARD)
26	27-70143		1	GASKET, CARBURETOR
27	10-53167		4	SCREW, ADAPTOR TO INTAKE MANIFOLD (7/8")
28	12-20084		4	WASHER, ADAPTOR SCREW
29	27-70142		1	GASKET, CARBURETOR ADAPTOR
30	22-70146		1	CONNECTOR, CARBURETOR (INBOARD)
	22-71969		1	CONNECTOR, CARBURETOR (90)-STERN DRIVE
31	32-64790		1	HOSE, CARBURETOR
32	54-32523		2	CLAMP, HOSE ATTACHING
33	56863		1	VALVE, HOSE TO ROCKER COVER
34	25-56877		1	GROMMET, ROCKER COVER TO HOSE SERIAL 00000000-04465029
	25-75400		1	GROMMET, ROCKER COVER TO HOSE SERIAL 04465030-09999999
35	16-70878		1	STUD, FLAME ARRESTOR MOUNTING_CARBURETOR (2")

CONTINUED ON NEXT PAGE ➡

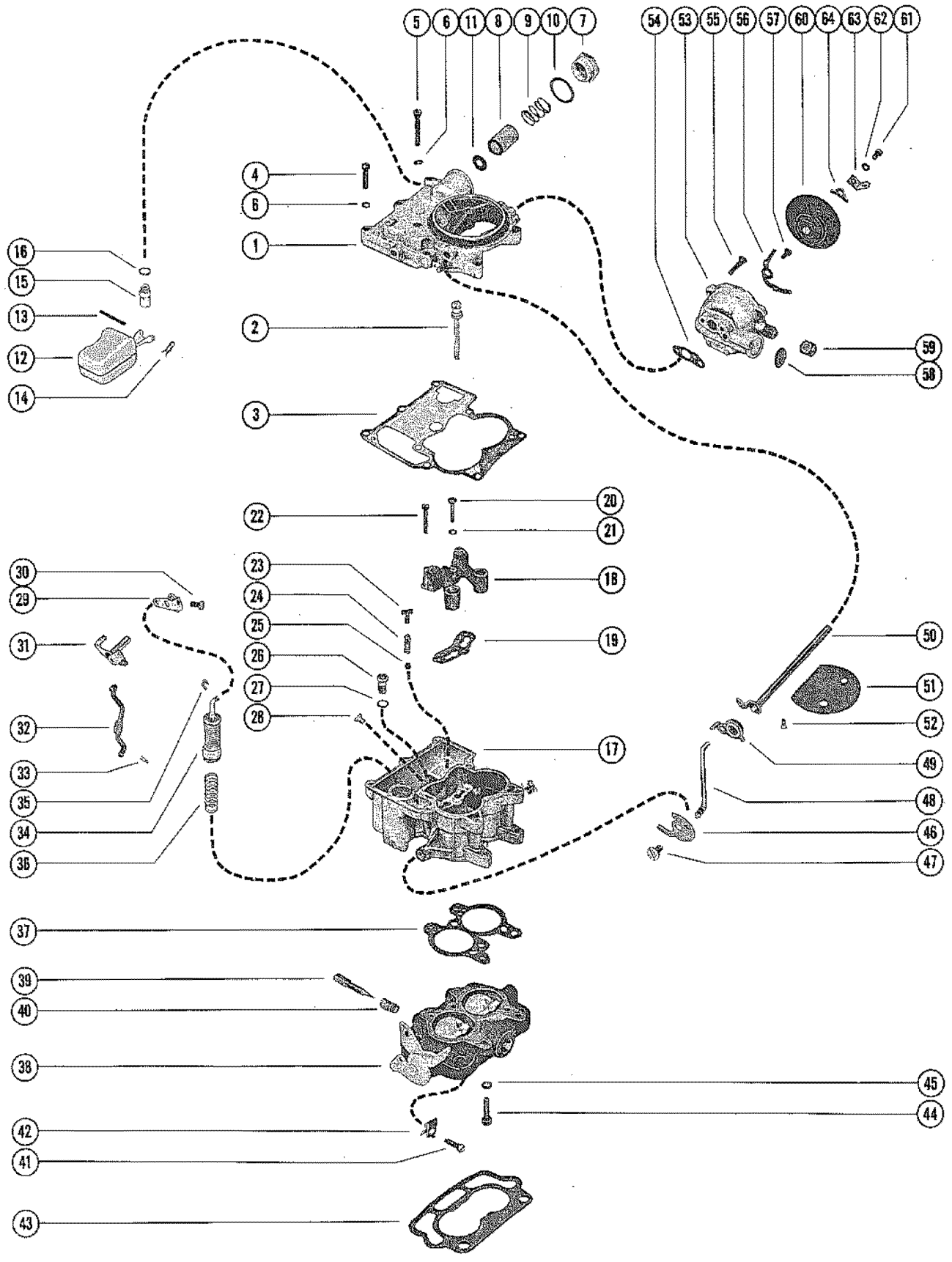
FUEL PUMP, FUEL FILTER AND CARBURETOR



FUEL PUMP, FUEL FILTER AND CARBURETOR

REF. NO.	PART NO.	SYM.	QTY.	DESCRIPTION
36	11-28941		1	NUT, JAM-FLAME ARRESTOR MOUNTING STUD (BOTTOM)
37	70574		1	FLAME ARRESTOR, CARBURETOR
38	12-22937		1	WASHER, FLAME ARRESTOR
39	11-20586		1	NUT, FLAME ARRESTOR STUD
40	32-63002--1		1	HOSE, VENT-FLAME ARRESTOR
41	54-64648		1	CLAMP, VENT HOSE
42	10-37892		1	SCREW, THROTTLE CABLE TO CARBURETOR (1")
43	12-26907		1	WASHER, THROTTLE CABLE SCREW
44	12-20128		2	WASHER, THROTTLE CABLE SCREW
45	23-57938		1	BUSHING, THROTTLE CABLE SCREW
46	11-45812		1	NUT, THROTTLE CABLE SCREW

CARBURETOR ASSEMBLY

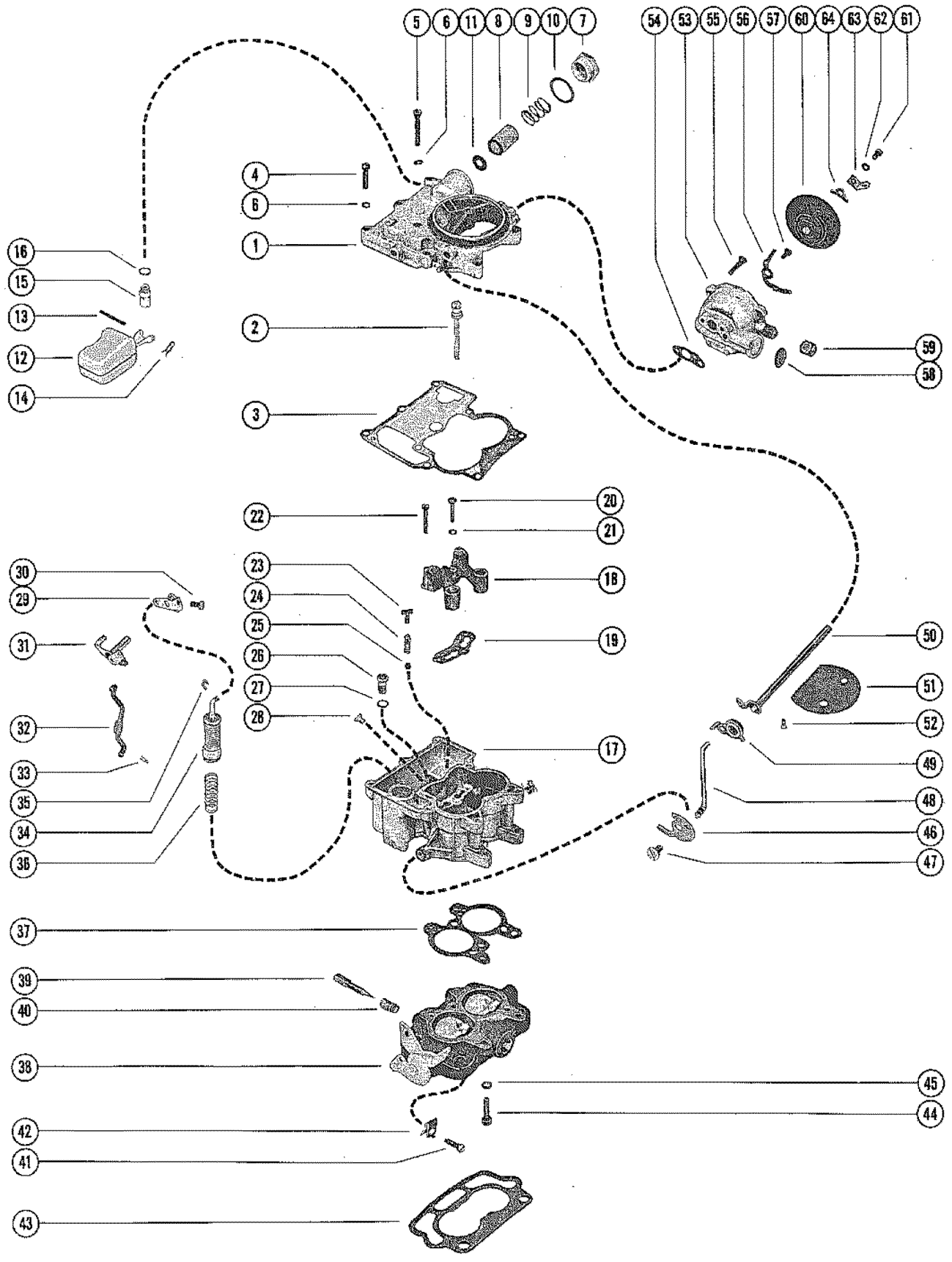


CARBURETOR ASSEMBLY

REF. NO.	PART NO.	SYM.	QTY.	DESCRIPTION
-	1376-5744A1		1	CARBURETOR ASSEMBLY, COMPLETE SERIAL 00000000-04465029
-	1376-6152A1		1	CARBURETOR ASSEMBLY, COMPLETE SERIAL 04465030-09999999
1	N.S.S.		1	AIR HORN (NOT SOLD SEPARATELY)
2	1397-5836		1	POWER PISTON ASSEMBLY
3			1	GASKET, AIR HORN
4	10-33043		7	SCREW, AIR HORN TO FLOAT BOWL (SHORT)
5	10-33048		1	SCREW, AIR HORN SCREW
6	13-26996		8	LOCKWASHER, AIR HORN SCREW
7	1397-3330		1	NUT, FUEL INLET-AIR HORN
8	35-53336		1	FILTER, FUEL INLET-AIR HORN
9	24-48143		1	SPRING,FUEL INLET-AIR HORN
10			1	GASKET, FUEL INLET FILTER (LARGE)
11			1	GASKET, FUEL INLET FILTER (SMALL)
12	1397-5837		1	FLOAT ASSEMBLY
13	17-33037		1	PIN, HINGE - FLOAT TO AIR HORN
14			1	CLIP, HINGE PIN
15			1	INLET NEEDLE AND SEAT ASSEMBLY
16			1	GASKET, INLET NEEDLE AND SEAT
17	1397-5881		1	FLOAT BOWL ASSEMBLY SERIAL 00000000-04465029
	1397-6366		1	FLOAT BOWL ASSEMBLY SERIAL 04465030-09999999
18	N.S.S.		1	VENTURI CLUSTER ASSEMBLY, FLOAT BOWL (NOT SOLD SEPARTELY)
19			1	GASKET, VENTURI CLUSTER
20	1397-5843		1	SCREW, VENTURI CLUSTER TO FLOAT BOWL (CENTER)
21			1	GASKET, VENTURI CLUSTER SCREW (CENTER)
22	1397-5842		2	SCREW, VENTURI CLUSTER TO FLOAT BOWL (OUTER)
23			1	GUIDE, PUMP DISCHARGE - FLOAT BOWL
24			1	SPRING, PUMP DISCHARGE - FLOAT BOWL
25			1	BALL, PUMP DISCHARGE - FLOAT BOWL
26			1	POWER VALVE ASSEMBLY, FLOAT BOWL
27			1	GASKET, POWER VALVE
28	1397-5882		2	JET, FLOAT BOWL (STANDARD) SERIAL 00000000-04465029
	1397-6365		2	JET, FLOAT BOWL (STANDARD) SERIAL 04465030-09999999
29	1397-5833		1	LEVER, PUMP - AIR HORN SERIAL 00000000-04465029
	1397-6364		1	LEVER, PUMP - AIR HORN SERIAL 04465030-09999999
30	10-33047		1	SCREW, AIR HORN PUMP LEVER
31	1397-5834		1	PUMP SHAFT AND LEVER ASSEMBLY, AIR HORN
32	1397-5845		1	ROD, PUMP
33			1	CLI, RETAINER - PUMP ROD
34			1	PUMP ASSEMBLY, FLOAT BOWL

CONTINUED ON NEXT PAGE ➡

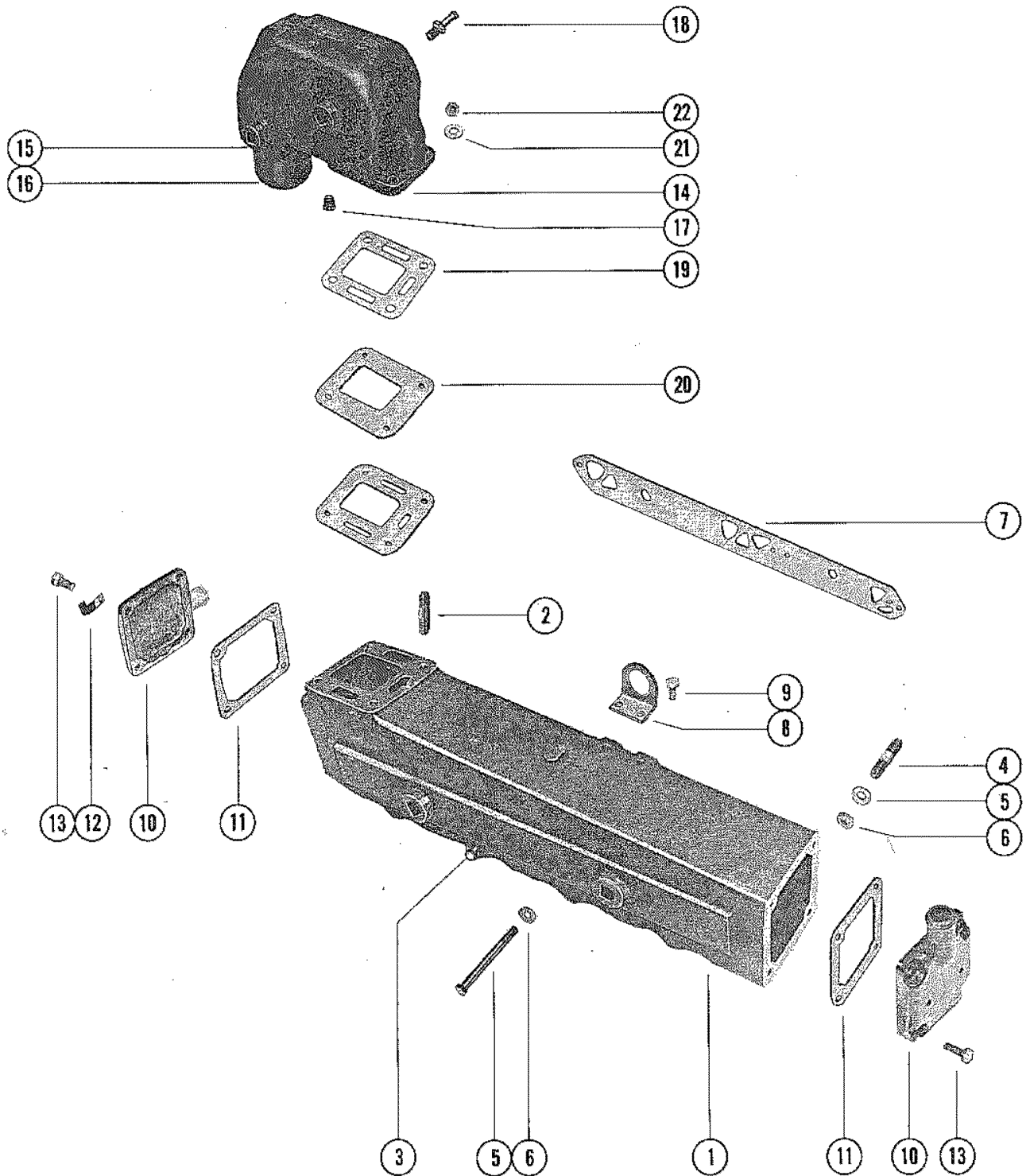
CARBURETOR ASSEMBLY



CARBURETOR ASSEMBLY

REF. NO.	PART NO.	SYM.	QTY.	DESCRIPTION
35			1	CLIP, RETAINER - FLOAT BOWL PUMP
36			1	SPRING, PUMP RETURN - FLOAT BOWL
37			1	GASKET, THROTTLE BODY
38	N.S.S.		1	THROTTLE BODY ASSEMBLY (NOT SOLD SEPARATELY)
39			2	IDLE ADJUSTING NEEDLE, THROTTLE BODY
40	24-33050		2	SPRING, IDLE ADJUSTING NEEDLE
41	1397-2638		1	IDLE STOP SCREW, THROTTLE BODY
42	54-39108		1	CLIP, IDLE STOP SCREW
43			3	GASKET, CARBURETOR FLANGE
44	10-33052		3	SCREW, THROTTLE BODY TO FLOAT BOWL
45	13-33028		3	LOCKWASHER, THROTTLE BODY SCREW
46	1397-2071		1	CAM, FAST IDLE - FLOAT BOWL
47	10-33042		1	SCREW, FAST IDLE CAM TO FLOAT BOWL
48	1397-5844		1	ROD, CHOKE
49	1397-4257		1	CHOKE LEVER COLLAR ASSEMBLY, CHOKE SHAFT
50	1397-5840		1	CHOKE SHAFT ASSEMBLY
51	1397-5839		1	VALVE, CHOKE - CHOKE SHAFT
52	10-33045		2	SCREW, CHOKE VALVE TO CHOKE SHAFT
53	1397-5838		1	CHOKE HOUSING ASSEMBLY
54			1	GASKET, CHOKE HOUSING
55	10-33053		2	SCREW, CHOKE HOUSING TO AIR HORN
56	1397-2629		1	LEVER ASSEMBLY CHOKE PISTON
57	10-33056		1	SCREW, CHOKE PISTON LEVER TO CHOKE HOUSING
58	19-33041		1	WELCH PLUG, CHOKE HOUSING
59	22-56772		1	PLUG, CHOKE HOUSING
60	70125		1	COVER, CHOKE
61	10-33047		3	SCREW, CHOKE COVER TO CHOKE HOUSING
62	13-26995		1	LOCKWASHER, CHOKE COVER SCREW
63	86-70879		1	TERMINAL, CHOKE COVER SCREW
64	54-33036		3	RETAINER, CHOKE COVER SCREW
-	1397-5830		1	OVERHAUL KIT
-	1397-5831		1	POWER CARBURETOR KIT
-	1397-5832		1	GASKET KIT

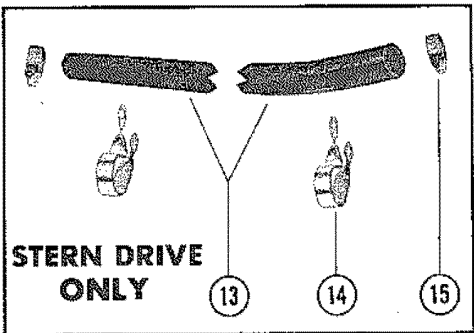
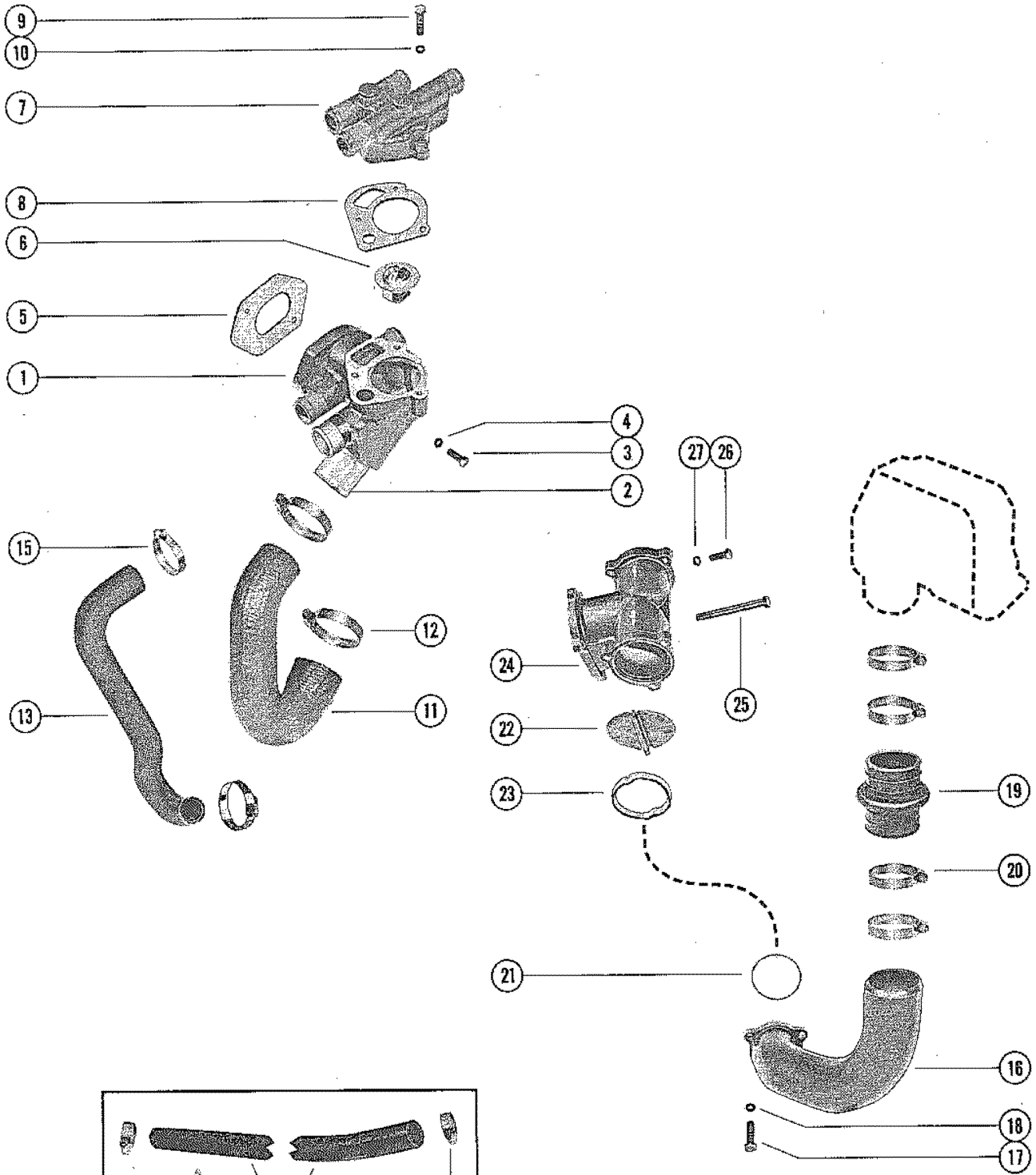
EXHAUST MANIFOLD AND EXHAUST ELBOW ASSEMBLY



EXHAUST MANIFOLD AND EXHAUST ELBOW ASSEMBLY

REF. NO.	PART NO.	SYM.	QTY.	DESCRIPTION
1	65604A4		1	EXHAUST MANIFOLD ASSEMBLY, PORT
	65603A4		1	EXHAUST MANIFOLD ASSEMBLY, STARBOARD
2	16-49545		8	STUD, EXHAUST MANIFOLD TO EXHAUST ELBOW (1 3/4")
3	22-32802		2	PLUG, PIPE - EXHAUST MANIFOLD
4	16-49545		8	STUD, EXHAUST MANIFOLD TO CYL. HEAD (1 3/4")
	16-65947		8	STUD, EXHAUST MANIFOLD TO CYL. HEAD (3 1/16")
5	13-35048		16	WASHER, EXHAUST MANIFOLD STUD
6	11-49838		16	NUT, EXHAUST MANIFOLD STUD
7	27-73866		2	GASKET, EXHAUST MANIFOLD TO CYLINDER HEAD
8	54-54509		2	EYE, LIFTING - EXHAUST MANIFOLD
9	10-26801		4	SCREW, LIFTING EYE ATTACHING (3/4")
10	60252		4	END CAP/CONNECTOR, EXHAUST MANIFOLD
	54870		2	END CAP/CONNECTOR, EXHAUST MANIFOLD V - DRIVE
11	27-48043		2	GASKET, END CAP/CONNECTOR TO EXH MANIFOLD V-DRIVE
13	10-25038		8	SCREW, END CAP ATTACHING (7/8") V-DRIVE
11	27-48043		4	GASKET, END CAP/CONNECTOR TO EXH. MANIFOLD
12	54-65308		1	CLIP, HOSE TO MANIFOLD
13	10-35386		12	SCREW, END CAP/CONNECTOR TO EXHAUST MANIFOLD (1")
	10-53016		4	SCREW, END CAP/CONNECTOR TO EXHAUST MANIFOLD (1 1/4")
14	60426A1		2	ELBOW ASS'Y (STERN DRIVE) SERIAL 00000000-04497140
	76351A1		2	ELBOW ASS'Y (STERN DRIVE) SERIAL 04497141-09999999
	60427A2		2	ELBOW ASS'Y(INBOARD)
15	22-33198		8	PLUG, EXHAUST ELBOW
16	32-58616A1		2	TUBE, WATER SEPARATION - EXHAUST ELBOW
17	22-32802		2	PLUG, PIPE - EXHAUST ELBOW
18	22-45084		2	FITTING, EXHAUST ELBOW
19	27-52076		4	GASKET, EXHAUST ELBOW TO EXHAUST MANIFOLD
20	60207		2	PLATE, EXHAUST ELBOW TO EXHAUST MANIFOLD
21	13-37459		8	LOCKWASHER, EXHAUST TO EXHAUST MANIFOLD STUD
22	11-49838		8	NUT, EXHAUST ELBOW TO EXHAUST MANIFOLD

THERMOSTAT HOUSING, COVER AND EXHAUST ELBOW



THERMOSTAT HOUSING, COVER AND EXHAUST ELBOW

REF. NO.	PART NO.	SYM.	QTY.	DESCRIPTION
1	63588A1		1	THERMOSTAT HOUSING ASSEMBLY
2	23-54476		1	SLEEVE, THERMOSTAT HOUSING
3	10-54523		1	SCREW, HOUSING TO INTAKE MANIFOLD (1") - ALLEN HEAD
	10-35386		1	SCREW, HOUSING TO INTAKE MANIFOLD (1")
4	12-20084		2	WASHER, THERMOSTAT HOUSING SCREW
5	27-54506		1	GASKET, THERMOSTAT HOUSING
6	59137		1	THERMOSTAT
7	59498		1	COVER, THERMOSTAT(INBOARD)
	62898		1	COVER, THERMOSTAT(STERN DRIVE)
8	27-60208		1	GASKET, THERMOSTAT COVER
9	10-24234		3	SCREW, THERMOSTAT COVER TO THERMOSTAT HOUSING (1")
10	13-39107		3	LOCKWASHER, THERMOSTAT COVER SCREW
11	32-54570		1	HOSE, THERMOSTAT HOUSING TO WATER PUMP
12	54-32781		2	CLAMP, HOSE TO THERMOSTAT HOUSING AND WATER PUMP
13	32-64815		1	HOSE, THERMOSTAT HOUSING TO OIL COOLER(INBOARD)
	32-63576A1		1	HOSE ASSEMBLY, THERMOSTAT HOUSING TO TRANSOM STERN DRIVE
14	54-64488		1	CLAMP, HOSE ATTACHING STERN DRIVE
	54-64489		2	CLAMP, HOSE ATTACHING STERN DRIVE
15	54-32780		2	CLAMP, HOSE ATTACHING STERN DRIVE
16	70341		2	ELBOW, EXHAUSTSTERN DRIVE SERIAL 00000000-04474705
	73739		2	ELBOW, EXHAUSTSTERN DRIVE SERIAL 04474706-09999999
17	10-60992		6	SCREW, EXHAUST ELBOW TO EXHAUST SEPARATOR (1 1/4") STERN DRI
18	13-35048		6	LOCKWASHER, EXHAUST ELBOW SCREW STERN DRIVE
19	53821		2	BELLOWS, EXHAUST ELBOWSTERN DRIVE SERIAL 00000000-04474705
	70981		2	BELLOWS, EXHAUST ELBOWSTERN DRIVE SERIAL 04474706-09999999
20	54-33683		4	CLAMP, BELLOW TO EXHAUST ELBOW STERN DRIVE
	54-31765		4	CLAMP, LARGE STERN DRIVE
21	25-35029		2	"O" RING, EXHAUST ELBOW TO TRANSOM PLATE STERN DRIVE
22	60930		2	SHUTTER, WATER EXHAUST SEPARATOR STERN DRIVE
23	60931		2	RETAINER, WATER SHUTTER STERN DRIVE
24	59825		1	SEPARATOR, EXHAUST STERN DRIVE
25	10-60835		1	SCREW, EXHAUST SEPARATOR TO GIMBAL HOUSING (5") STERN DRIVE
26	10-37612		4	SCREW, EXHAUST SEPARATOR TO GIMBAL HOUSING (1 1/4")STERN DRI
27	13-35048		5	LOCKWASHER, EXHAUST SEPARATOR SCREW STERN DRIVE

FLYWHEEL HOUSING AND OIL COOLER

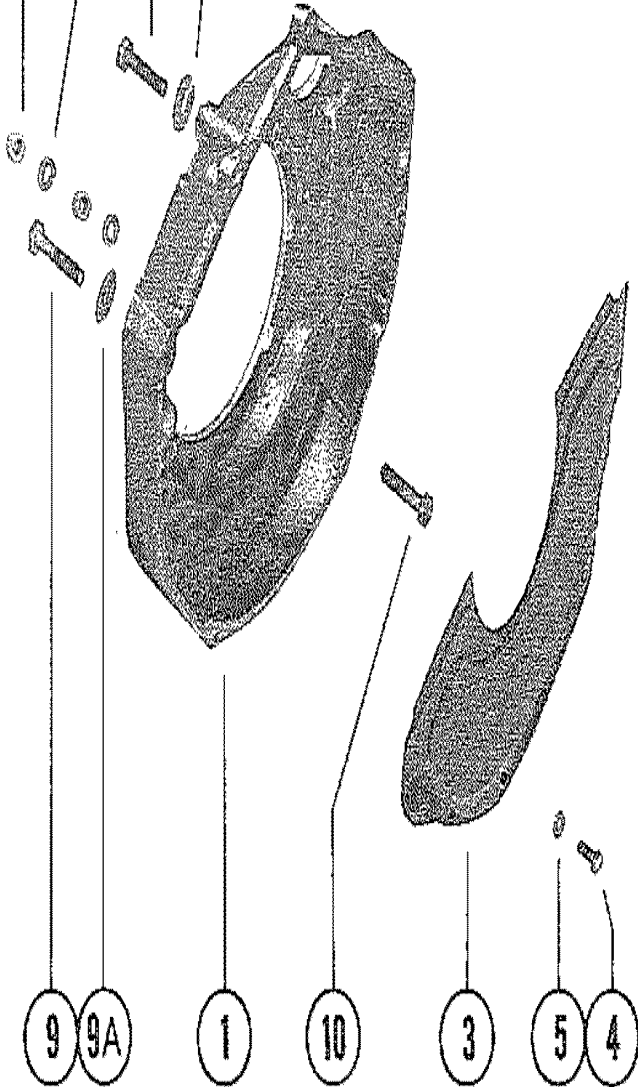
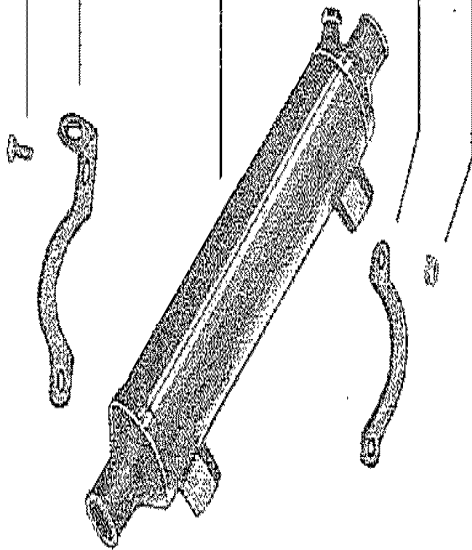
16 14

13

15 17

12 11

8 8A

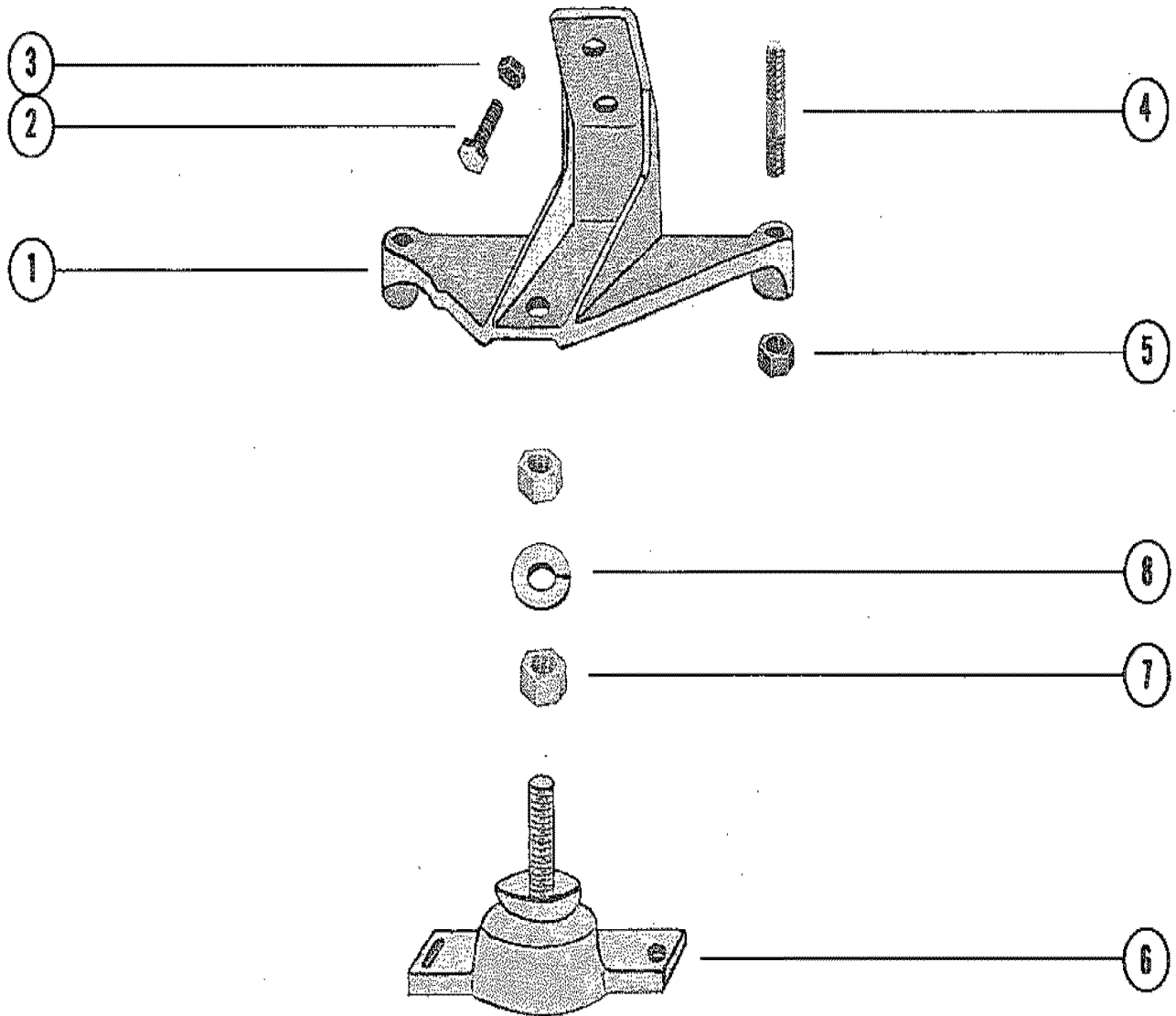


INBOARD

FLYWHEEL HOUSING AND OIL COOLER

REF. NO.	PART NO.	SYM.	QTY.	DESCRIPTION
1	63827		1	HOUSING, FLYWHEEL
3	63833		1	COVER, FLYWHEEL HOUSING
4	10-20031		4	SCREW, COVER TO FLYWHEEL HOUSING (5/8")
5	13-26992		4	LOCKWASHER, COVER SCREW
8	10-47651		2	SCREW, FLYWHEEL HOUSING TO ENGINE (1 1/2")
8A	13-37272		5	LOCKWASHER, FLYWHEEL HOUSING SCREW
9	10-59589		4	SCREW, FLYWHEEL HOUSING TO ENGINE (2 1/2")
9A	12-27025		1	WASHER, FLYWHEEL HOUSING TO ENGINE SCREW
10	10-34613		1	SCREW, GROUND CABLE TO FLYWHEEL (1 3/4")
11	13-37459		2	LOCKWASHER, GROUND CABLE TO FLYWHEEL SCREW
12	11-32219		2	NUT, GROUND CABLE TO FLYWHEEL SCREW
13	63832--1		1	COOLER, OIL (9")
	63832--2		1	COOLER, OIL (12") V-DRIVE ONLY
14	56329		1	BRACKET, COOLER CLAMPING (LONG)
15	56328		1	BRACKET, COOLER CLAMPING (SHORT)
16	10-21625		2	SCREW, COOLER BRACKET ATTACHING (3/4")
17	11-30506		2	NUT, COOLER BRACKET ATTACHING SCREW

ENGINE MOUNTING (STERN DRIVE)



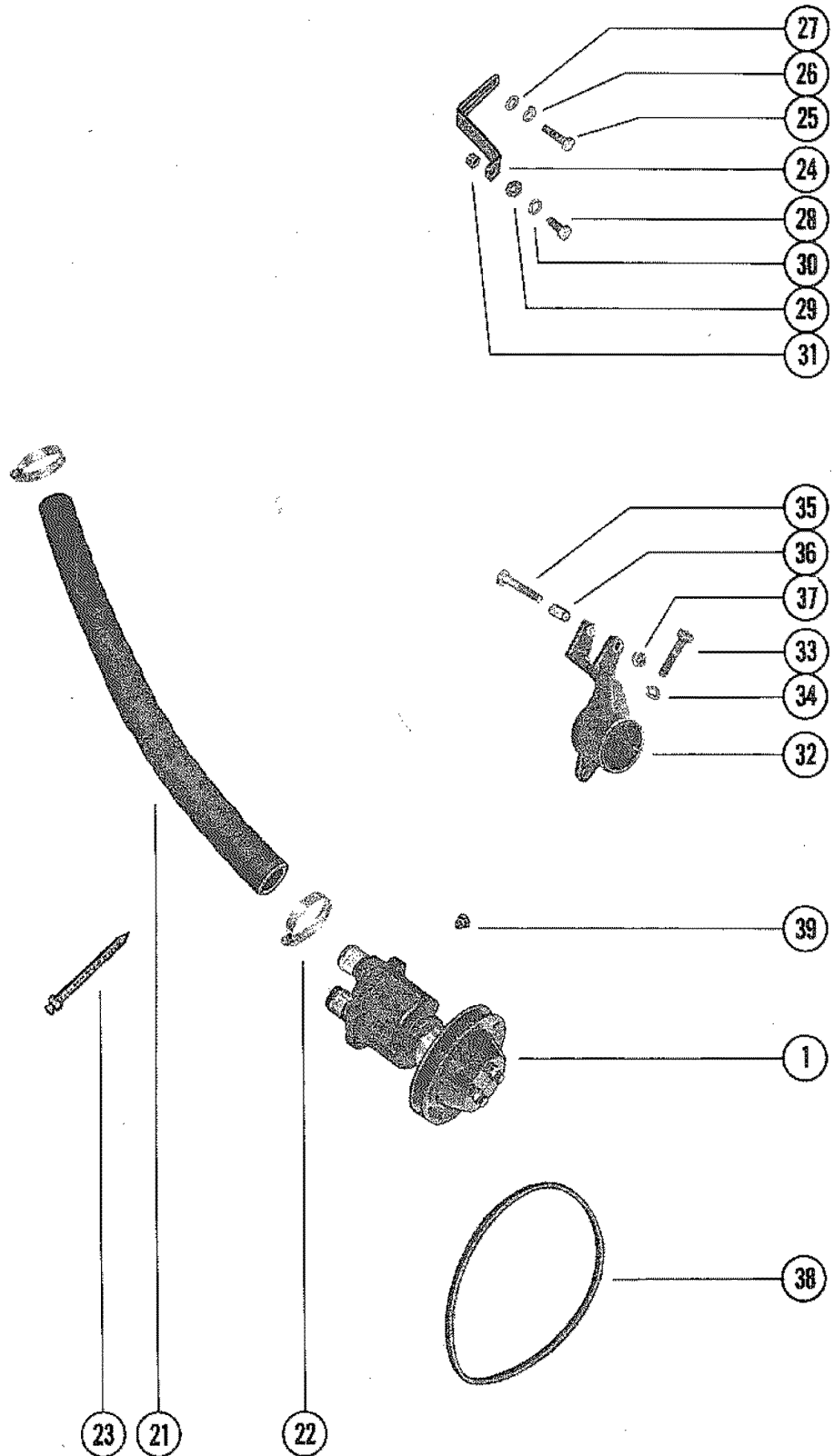
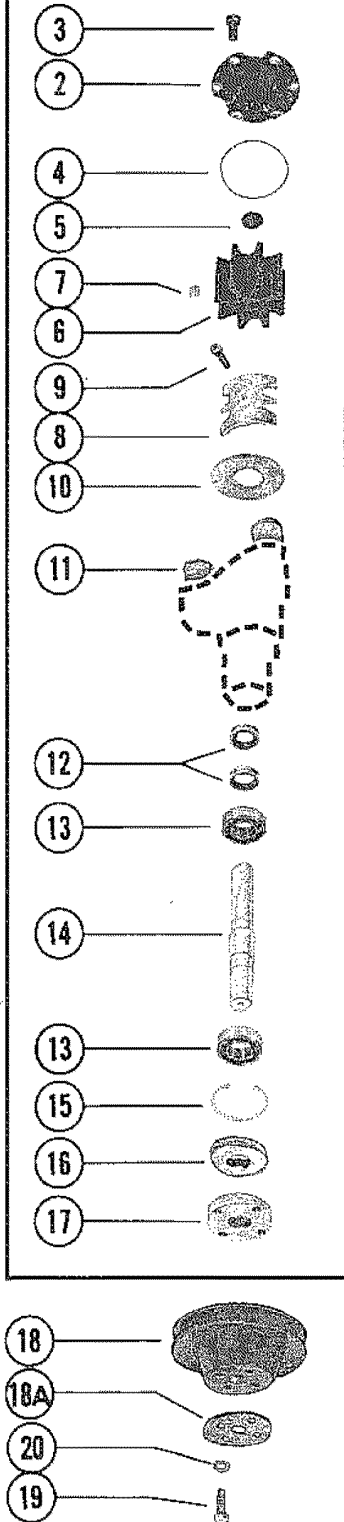
STERN DRIVE

ENGINE MOUNTING (STERN DRIVE)

REF. NO.	PART NO.	SYM.	QTY.	DESCRIPTION
1	63499		2	BRACKET, MOUNTING - ENGINE
2	10-68743		2	SCREW, ENGINE LOCATING
3	11-22024		2	NUT, ENGINE LOCATING SCREW
4	16-65737		3	STUD, BRACKET TO ENGINE (2 5/8")
	16-65743		1	STUD, BRACKET TO ENGINE (3")
5	11-34933		4	BRACKET, MOUNTING BRACKET STUD
6	66284		2	BRACKET, MOUNTING
7	11-20739		4	NUT, JAM-MOUNTING BRACKET
8	13-68102		2	LOCKWASHER, MOUNTING BRACKET

WATER PUMP ASSEMBLY, COMPLETE INBOARD

BREAKDOWN OF WATER PUMP



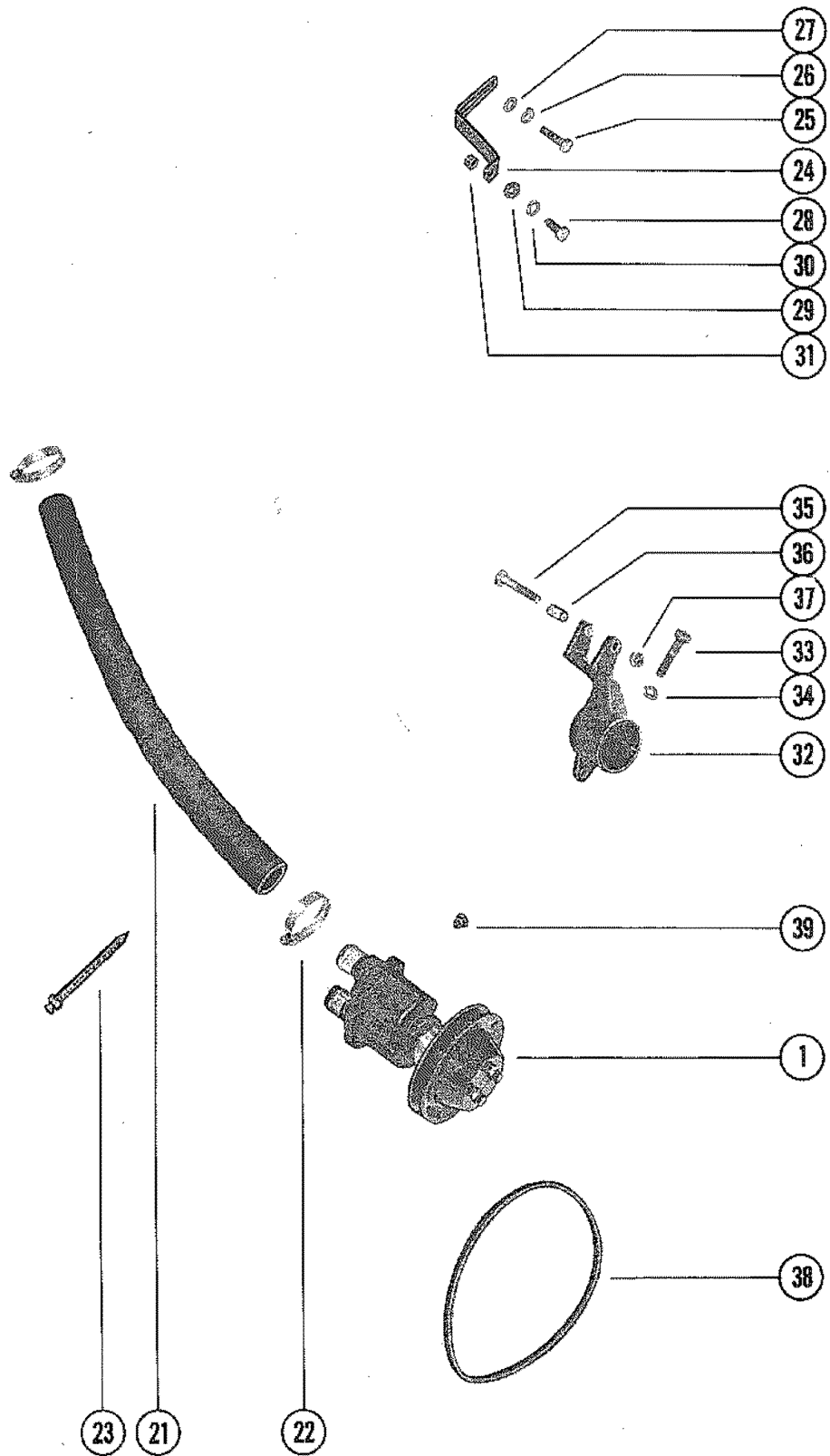
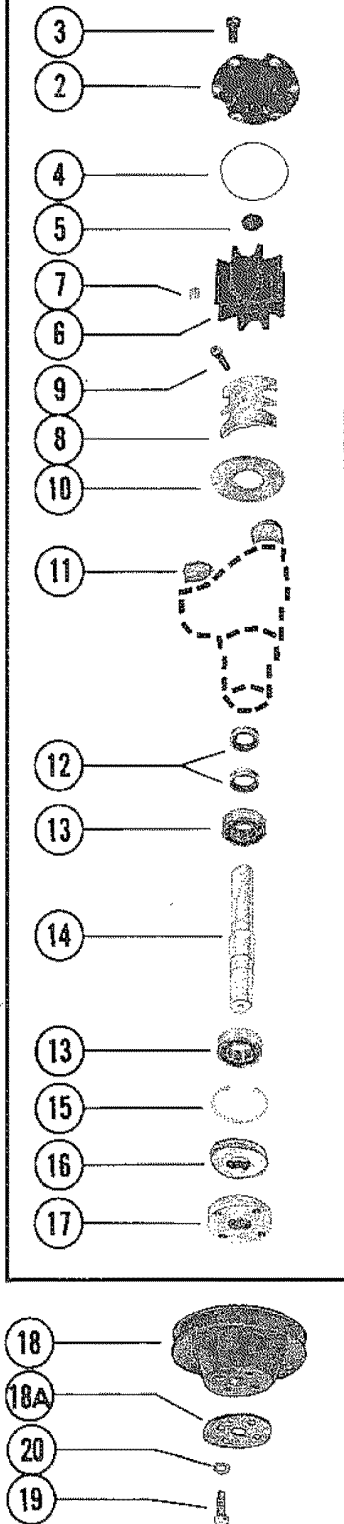
WATER PUMP ASSEMBLY, COMPLETE INBOARD

REF. NO.	PART NO.	SYM.	QTY.	DESCRIPTION
1	46-63450A2		1	WATER PUMP ASSEMBLY, COMPLETE SERIAL 00000000-04476955
	46-73823A7		1	WATER PUMP ASSEMBLY, COMPLETE SERIAL 04476956-09999999
2	59155		1	COVER, WATER PUMP
3	10-28635		6	SCREW, WATER PUMP COVER ATTACHING (5/8")
4	25-59712		1	"O" RING, WATER PUMP COVER
5	19-59504		1	PLUG, IMPELLER
6	47-59362A1		1	IMPELLER ASSEMBLY
7	28-56662		1	KEY, IMPELLER DRIVE
8	59363A1		1	CAM SEGMENT ASSEMBLY, WATER PUMP
9	10-60777		1	SCREW, CAM SEGMENT ATTACHING (1/2")
10	59503		1	WEAR PLATE
11	23-47511		2	SLEEVE, WATER PUMP COVER
12	26-23300		2	OIL SEAL, WATER PUMP SHAFT
13	30-20861		2	BALL BEARING, WATER PUMP SHAFT SERIAL 00000000-04476955
	30-72961		2	BALL BEARING, WATER PUMP SHAFT SERIAL 04476956-09999999
14	59501		1	SHAFT, WATER PUMP
15	53-23720		1	RING, SNAP - BALL BEARING RETAINING
16	26-59564		1	OIL SEAL, WATER PUMP SHAFT SERIAL 00000000-04476955
	26-72785		1	OIL SEAL, WATE4R PUMP SHAFT SERIAL 04476956-09999999
17	47530		1	HUB, WATER PUMP PULLEY
18	59762		1	PULLEY, WATER PUMP SERIAL 00000000-04476955
	73798		1	PULLEY, WATER PUMP SERIAL 04476956-09999999
18A	58265		1	CLAMPING RING, PULLEY SERIAL 04476956-09999999
19	10-20705		4	SCREW, PULLEY TO WATER PUMP (3/4") SERIAL 00000000-04476955
	10-33524		4	SCREW, PULLEY TO WATER PUMP (5/8") SERIAL 00476956-09999999
20	13-39107		4	LOCKWASHER, WATER PULLEY SCREW
21	32-62010		1	HOSE, PUMP TO OIL COOLER
22	54-32780		2	CLAMP, WATER PUMP HOSE
23	61990		2	STA-STRAP, HOSE ATTACHING
24	54478		1	BRACE, WATER PUMP ADJUSTING
25	10-34353		1	SCREW, ADJUSTING BRACE TO OIL PAN (1")
26	13-35048		1	LOCKWASHER, ADJUSTING BRACE SCREW
27	12-34714		1	WASHER, ADJUSTING BRACE SCREW
28	10-26632		1	SCREW, ADJUSTING BRACE TO WATER PUMP (1 1/4")
29	12-20553		1	WASHER, ADJUSTING BRACE SCREW
30	13-35048		1	LOCKWASHER, ADJUSTING BRACE SCREW
31	11-32219		1	NUT, ADJUSTING BRACE SCREW

CONTINUED ON NEXT PAGE ➡

WATER PUMP ASSEMBLY, COMPLETE INBOARD

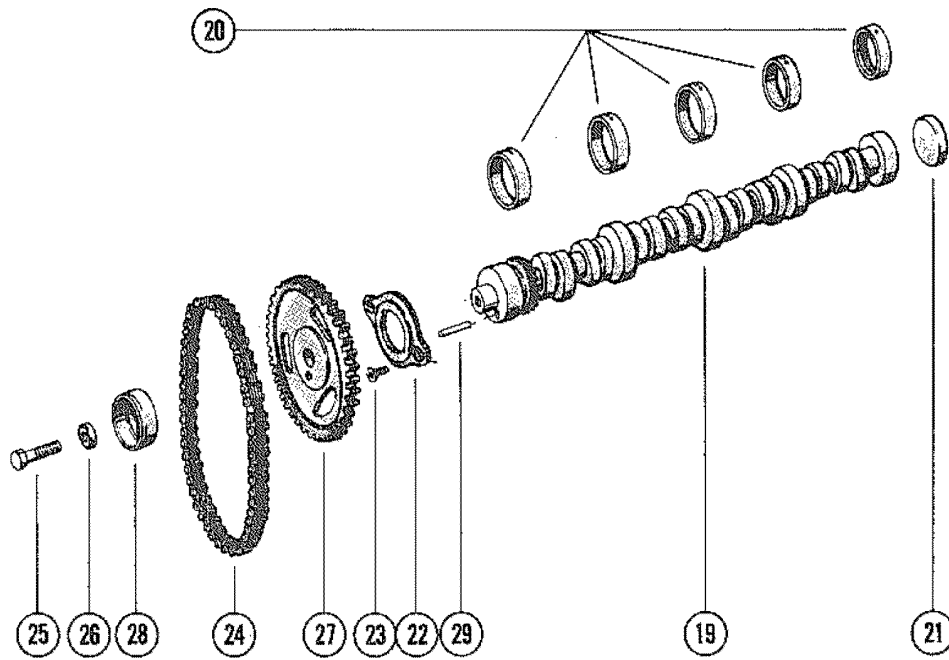
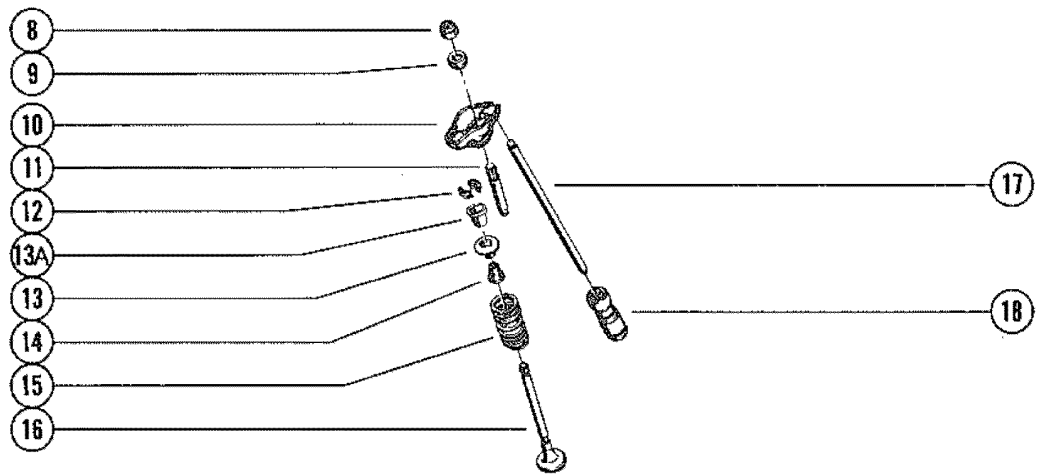
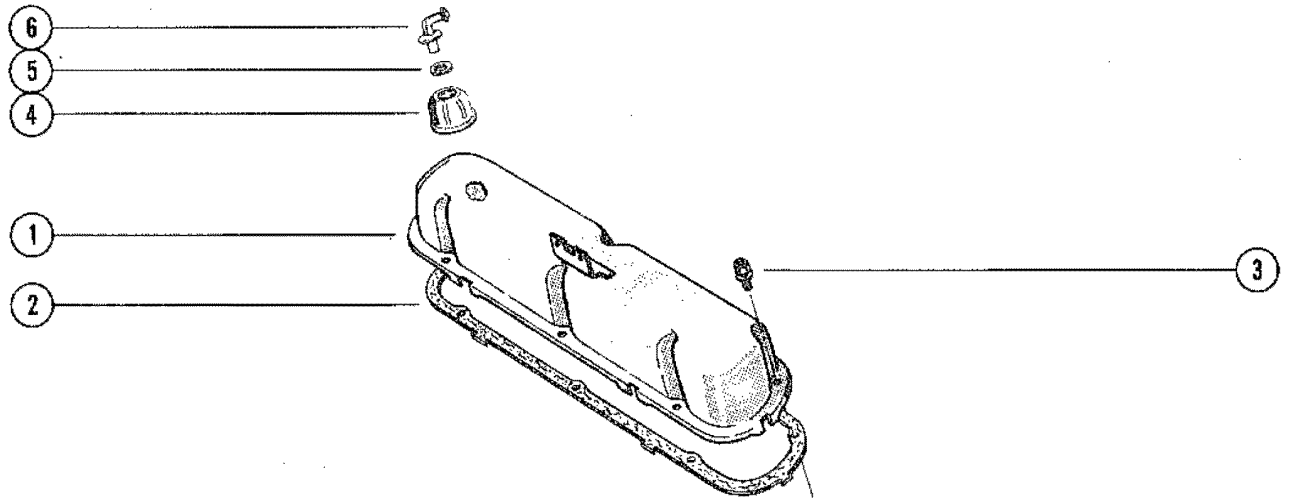
BREAKDOWN OF WATER PUMP



WATER PUMP ASSEMBLY, COMPLETE INBOARD

REF. NO.	PART NO.	SYM.	QTY.	DESCRIPTION
32	4951		1	BRACKET, WATER PUMP
33	10-34354		1	SCREW, WATER PUMP BRACKET CLAMPING (1 1/2")
34	13-35048		1	LOCKWASHER, WATER PUMP BRACKET CLAMPING SCREW
35	10-52409		1	SCREW, WATER PUMP BRACKET TO ALTERNATOR BRACKET(3 1/4")
36	23-33186		1	BUSHING, WATER PUMP BRACKET SCREW
37	11-23161		1	NUT, WATER PUMP BRACKET SCREW
38	57-60327		1	BELT, WATER PUMP SERIAL 00000000-04476955
	57-74271		1	BELT, WATER PUMP SERIAL 04476956-09999999
39	22-32802		1	PLUG, WATER PUMP BODY

ROCKER COVER, CAMSHAFT AND VALVES

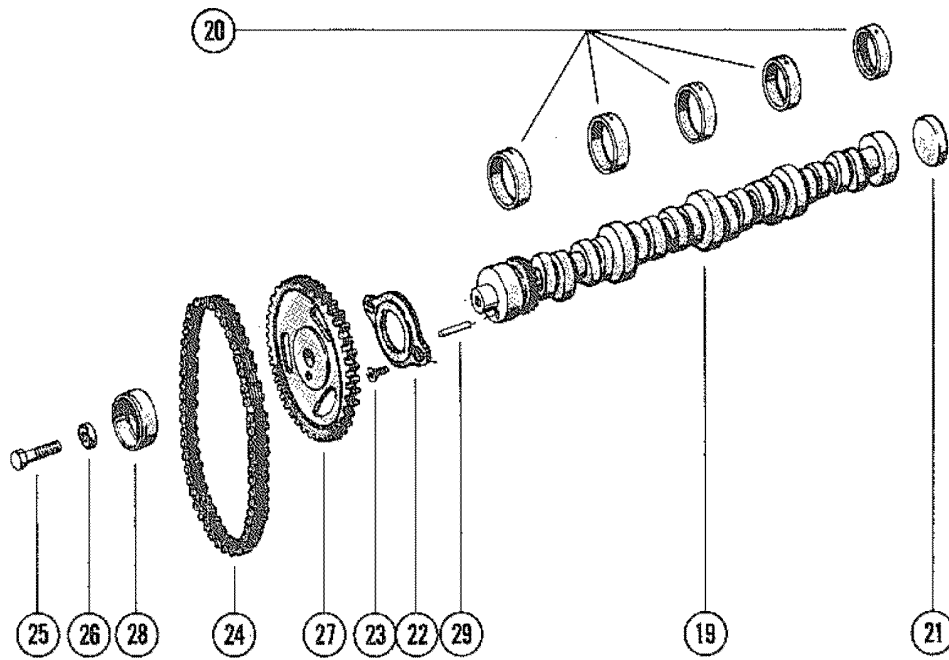
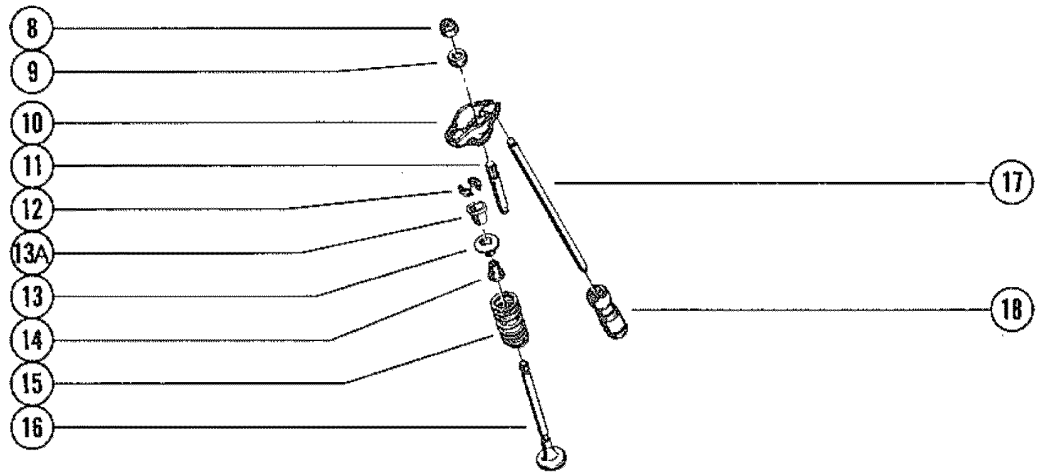
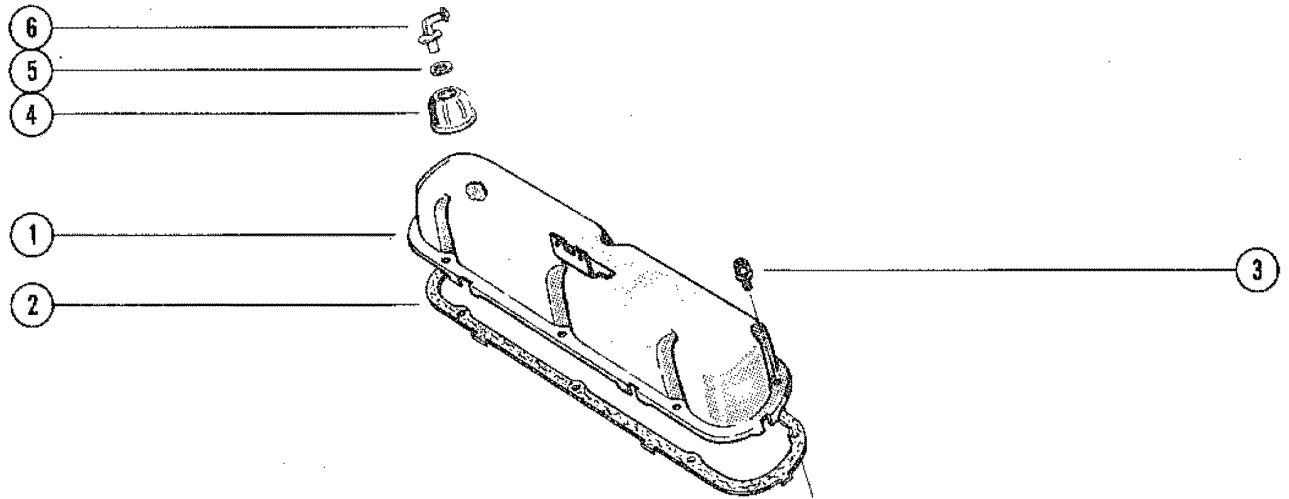


ROCKER COVER, CAMSHAFT AND VALVES

REF. NO.	PART NO.	SYM.	QTY.	DESCRIPTION
1	56156		1	COVER, ROCKER (PORT)
	56171		1	COVER, ROCKER (STARBOARD)
2	27-56173		2	GASKET, ROCKER COVER
3	10-60708		12	SCREW, ROCKER COVER TO CYLINDER HEAD (9/16")
4	65152		1	CAP, OIL FILLER -ROCKER COVER
5	25-65196		1	GROMMET, OIL FILLER CAP
6	65197		1	ELBOW, OIL FILLER CAP
	37-77250		1	DECAL, ROCKER COVER -"H.P."
8	11-56167		16	NUT, ROCKER ARM STUD
9	56166		16	BALL, ROCKER ARM
10	56168		16	ARM, ROCKER
11	16-56164		16	STUD, ROCKER ARM - CYLINDER HEAD (STANDARD)
	16-58242		AR	STUD, ROCKER ARM - CYLINDER HEAD (.006 O.S.)
	16-58243		AR	STUD, ROCKER ARM - CYLINDER HEAD (.015 O.S.)
12	28-56162		32	KEY, VALVE STEM (2 PER VALVE)
13	56160		16	RETAINER, VALVE SPRING (INLET AND EXHAUST)
13A	72562		16	SLEEVE, VALVE SPRING _ INLET AND EXHAUST
14	26-72564		16	SEAL, VALVE (STANDARD) SERIAL 00000000-04500860
	26-58094		AR	SEAL, VALVE (.015 O.S.) SERIAL 00000000-04500860
15	24-56159		16	SPRING, VALVE SERIAL 00000000-04500860
16	71777		8	VALVE, EXHAUST (STANDARD) SERIAL 00000000-04500860
	71778		AR	VALVE, EXHAUST (.015 O.S.) SERIAL 00000000-04500860
	71779		8	VALVE, INLET (STANDARD) SERIAL 00000000-04500860
	72560		AR	VALVE, INLET (.015 O.S.) SERIAL 00000000-04500860
17	64784		16	ROD, PUSH SERIAL 00000000-04500860
14	26-72564		16	SEAL, VALVE (STANDARD) SERIAL 04500861-09999999
	26-58094		AR	SEAL, VALVE (.015 O.S.) SERIAL 04500861-09999999
15	24-75619		8	SPRING, VALVE - EXHAUST SERIAL 04500861-09999999
	24-56159		8	SPRING, VALVE - INTAKE SERIAL 04500861-09999999
16	75621		8	VALVE, EXHAUST (STANDARD) SERIAL 04500861-09999999
	75622		AR	VALVE, EXHAUST (.150 O.S.) SERIAL 04500861-09999999
	71779		8	VALVE, INLET (STANDARD) SERIAL 04500861-09999999
	72560		AR	VALVE, INLET (.015 O.S.) SERIAL 04500861-09999999
17	75644		16	ROD, PUSH SERIAL 04500861-09999999
18	56153		16	LIFTER, HYDRAULIC - TAPPET
19	447-5098		1	CAMSHAFT (LEFT HAND CRANKSHAFT ROTATION)
	447-5099		1	CAMSHAFT (RIGHT HAND CRANKSHAFT ROTATION)
20	23-56124		1	BEARING SET, CAMSHAFT
21	19-56128		1	PLUG, EXPANSION - CAMSHAFT BEARING HOLE
22	56130		1	PLATE, THRUST - CAMSHAFT (STANDARD)
	56131		AR	PLATE, THRUST - CAMSHAFT (.002 O.S.)
	56132		AR	PLATE, THRUST - CAMSHAFT (.004 O.S.)
23	10-56133		2	SCREW, THRUST PLATE TO CYLINDER BLOCK (5/8")

CONTINUED ON NEXT PAGE ➡

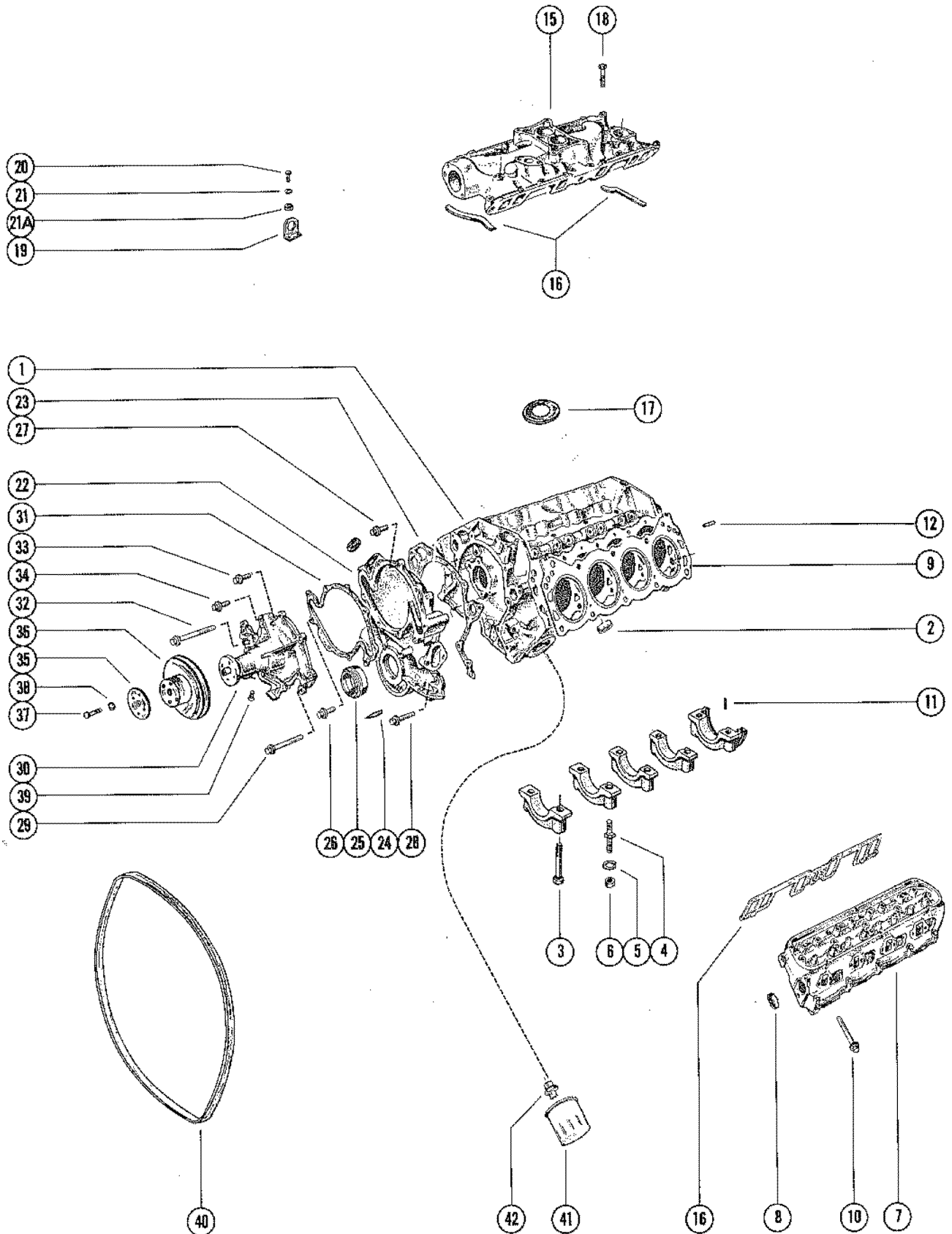
ROCKER COVER, CAMSHAFT AND VALVES



ROCKER COVER, CAMSHAFT AND VALVES

REF. NO.	PART NO.	SYM.	QTY.	DESCRIPTION
24	56129		1	CHAIN, TIMING
25	10-56138		1	SCREW, ECCENTRIC AND SPROCKET TO CAMSHAFT (1 1/2")
26	12-56136		1	WASHER, ECCENTRIC AND SPROCKET SCREW
27	43-66177		1	SPROCKET, CAMSHAFT TIMING (42 TEETH)
28	71684		1	ECCENTRIC, CAMSHAFT (FUEL PUMP DRIVE) - 1 PIECE SEE NOTE
29	17-66180		1	PIN DOWEL - CAMSHAFT SEE NOTE
27	43-66177A1		1	SPROCKET ASSEMBLY, CAMSHAFT TIMING (42 TEETH) SEE NOTE
28	66178A1		1	ECCENTRIC, CAMSHAFT (FUEL PUMP DRIVE) - 2 PIECE SEE NOTE
29	17-66180		1	PIN, DOWEL - CAMSHAFT SEE NOTE

CYLINDER BLOCK, CYLINDER HEAD AND INTAKE MANIFOLD

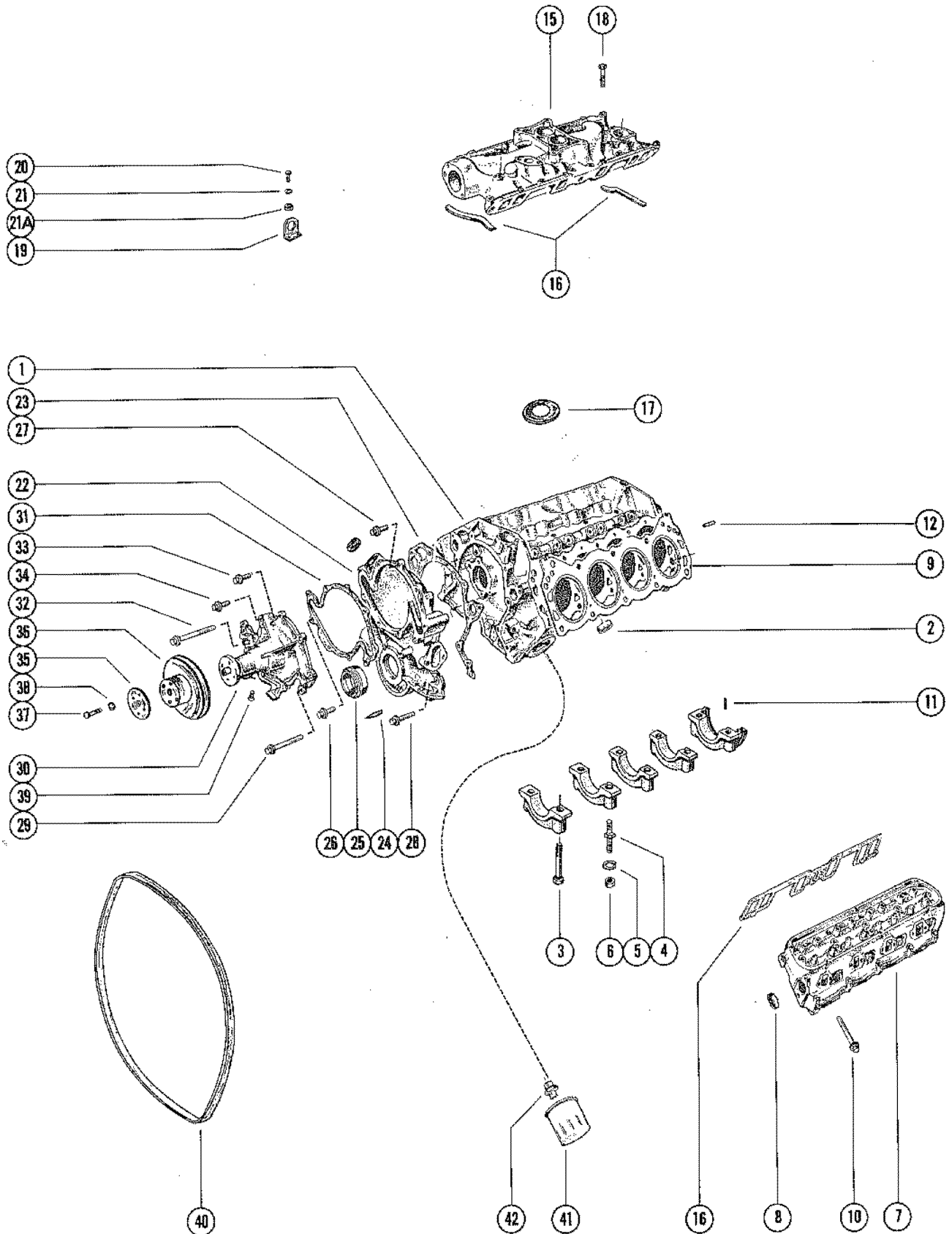


CYLINDER BLOCK, CYLINDER HEAD AND INTAKE MANIFOLD

REF. NO.	PART NO.	SYM.	QTY.	DESCRIPTION
1	853-5912		1	CYLINDER BLOCK ASSEMBLY (INCLUDES BEARING CAPS) SERIAL 00000000-04500860
	853-6559		1	CYLINDER BLOCK ASSEMBLY (INCLUDES BEARING CAPS) SERIAL 04500861-09999999
2	19-56102		6	PLUG, EXPANSION - CYLINDER BLOCK
-	19-60667		3	PLUG, CYLINDER BLOCK (1/4")
-	19-60668		2	PLUG, EXPANSION - CYLINDER BLOCK (3/4")
-	19-60669		4	PLUG, EXPANSION - CYLINDER BLOCK (1/2")
-	19-64759		6	PLUG, DRAIN -CYOLINDER BLOCKD (1/4")
-	22-63028		2	PLUG, DRAIN -CYOLINDER BLOCKD (3/4")
-	2264426		2	PETCOCK, WATER DRAINN - CYLNDER BLOCK
-	22-64970		1	ADAPTOR, WATER DRAIN PETCOCK (STARBOARD)
3	10-64782		10	BOLT, BEARING CAP TO CYLINDER BLOCK (3 1/2")
4	16-62299		1	STUD, BRG. CAP TO CYL. BLOCK (OIL PAN SCREEN)
5	12-58790		1	WASHER, OIL PUMP SCREEN STUD
6	11-53301		1	NUT, OIL PUMP SCREEN STUD
7	949-5913		2	CYLINDER HEAD ASSEMBLY SERIAL 00000000-04500860
	949-6560		2	CYLINDER HEAD ASSEMBLY SERIAL 04500861-09999999
8	19-56102		4	PLUG, EXPANSION - CYLINDER HEAD
	19-73030		4	PLUG, EXH. EMISSION HOLE SERIAL 04465030-09999999
9	27-64763		2	GASKET, CYLINDER HEAD SERIAL 00000000-04500860
	27-75646		2	GASKET, CYLINDER HEAD SERIAL 04500861-09999999
10	10-64762		10	BOLT, CYLINDER HEAD TO CYLINDER BLOCK (4 5/16")
	10-64761		10	BOLT, CYLINDER HEAD TO CYLINDER BLOCK (2 1/2")
11	17-56139		1	PIN, REAR BEARING CAP - REAR SEAL RETAINING
12	17-60670		1	PIN, DOWEL - CYL. BLOCK TGO CYL. HEAD
15	72567		1	INTAKE MANIFOLD SERIAL 00000000-04465029
	75484		1	INTAKE MANIFOLD SERIAL 04465030-04500860
	75974		1	INTAKE MANIFOLD SERIAL 04500861-09999999
	19-64793		2	PLUG, INTAKE MANIFOLD (3/8")
	19-60722		1	PLUG, INTAKE MANIFOLD (3/4")
	19-64794		1	PLUG, INTAKE MANIFOLD (1/2")
16	27-56888A3		1	GASKET SETL INT. MANIFOLD SERIAL 00000000-04465029
	27-73104		1	GASKET SETL INT. MANIFOLD SERIAL 04465030-04500860
	27-75645		1	GASKET SETL INT. MANIFOLD SERIAL 04500861-09999999
17	72563		1	BAFFLE, INTAKE MANIFOLD
18	10-58261		16	SCREW, INTAKE MANIFOLD TO CYL. HEAD (2")
19	54-54555		1	LIFTING EYE, INTAKE MANIFOLD STERN DRIVE
20	10-33586		1	SCREW, LIFTING EYE ATTACHING (1") STERN DRIVE
	10-59645		1	SCREW, LIFTING EYE ATTACHING (3/4") STERN DRIVE
21	13-39107		2	LOCKWASHER, LIFTING EYE SCREW STERN DRIVE
21A	11-21908		1	NUT, LIFTING EYE SCREW STERN DRIVE
19	54-54509		1	LIFTING EYE, INTAKE MANIFOLD INBOARD
20	10-59645		2	SCREW, LIFTING EYE TO INTAKE MANIFOLD (3/4") INBOARD

CONTINUED ON NEXT PAGE ➡

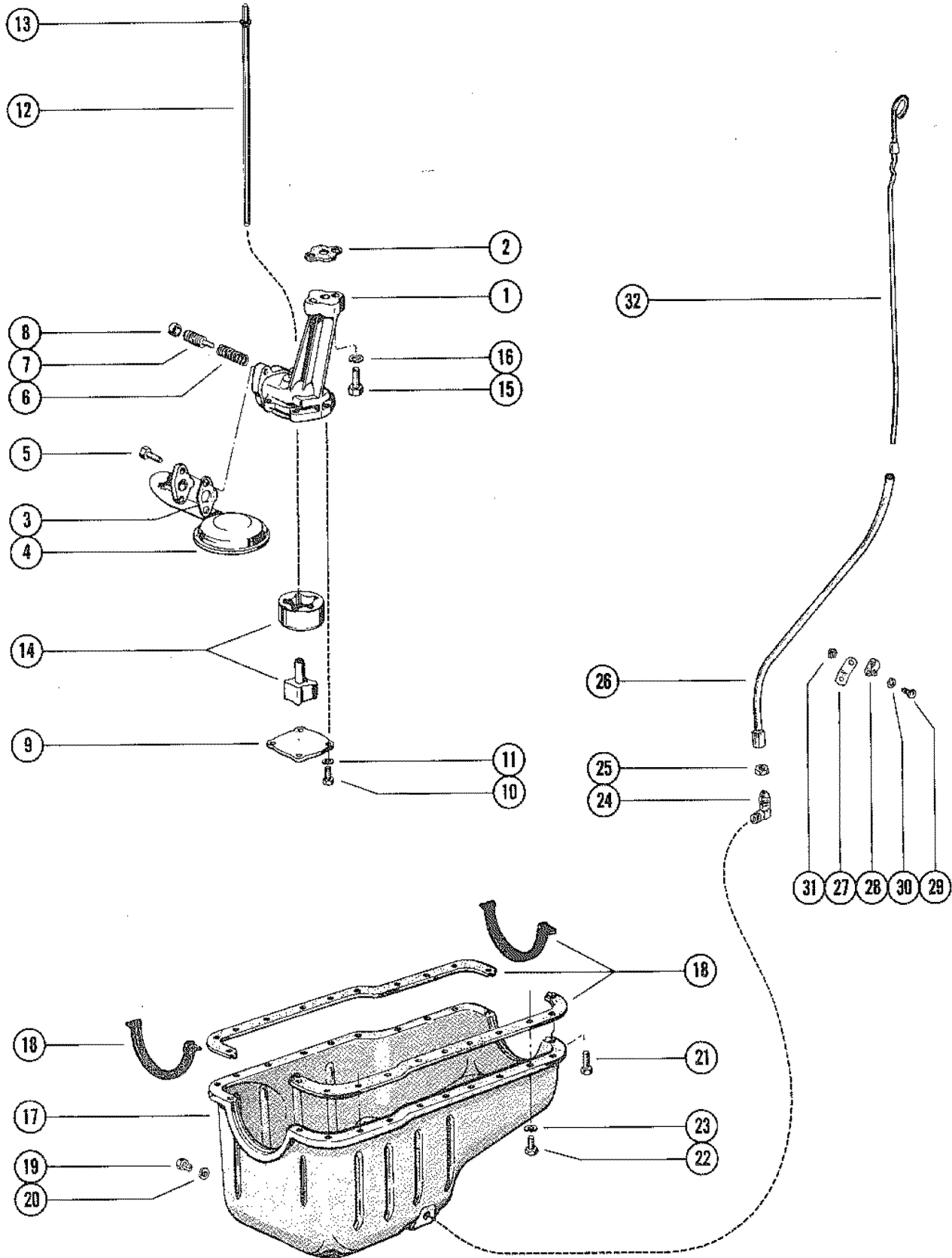
CYLINDER BLOCK, CYLINDER HEAD AND INTAKE MANIFOLD



CYLINDER BLOCK, CYLINDER HEAD AND INTAKE MANIFOLD

REF. NO.	PART NO.	SYM.	QTY.	DESCRIPTION
21	12-34437		2	WASHER, LIFTING EYE SCREW INBOARD
22	56103		1	COVER, TIMING (LEFT HAND CRANKSHAFT ROTATION)
	64760		1	COVER, TIMING (RIGHT HAND CRANKSHAFT ROTATION)
23	27-56108		1	GASKET, TIMING COVER
24	56109		1	POINTER, TIMING COVER
25	26-56866		1	OIL SEAL, TIMING COVER (LEFT HAND CRANKSHAFT ROTATION)
	26-56867		1	OIL SEAL, TIMING COVER (RIGHT HAND CRANKSHAFT ROTATION)
26	10-55511		1	SCREW, TIMING COVER TO CYLINDER BLOCK (1 1/2")
27	10-28782		3	SCREW, TIMING COVER TO CYLINDER BLOCK (7/8")
28	10-25503		2	SCREW, TIMING COVER TO CYLINDER BLOCK (2")
29	10-52743		3	SCREW, WATER PUMP AND TIMING COVER TO CYLINDER BLOCK (3 3/4")
30	71683		1	WATER, PUMP ASSEMBLY
31	27-56880		1	GASKET, WATER PUMP
32	10-53300		1	SCREW, WATER PUMP AND TIMING COVER TO CYLINDER BLOCK (5 1/4")
33	10-45474		4	SCREW, WATER PUMP TO TIMING COVER (1 1/6")
34	10-57841		5	SCREW, WATER PUMP TO TIMING COVER (2 5/8")
35	58265		1	REINFORCEMENT, WATER PUMP PULLEY
36	71281		1	PULLEY, WATER PUMP
37	10-47277		4	SCREW, PULLEY TO WATER PUMP (3/4")
38	13-39107		4	LOCKWASHER, PULLEY SCREW
39	22-36373		1	PLUG, PIPE - WATER PUMP (3/8-14)
40	57-49213		1	BELT, DRIVE - ALTERNATOR AND WATER PUMP
41	60565		1	OIL FILTER
	38463		1	OIL FILTER (V-DRIVE ONLY)
42	22-56876		1	CONNECTOR, OIL FILTER TO CYLINDER BLOCK

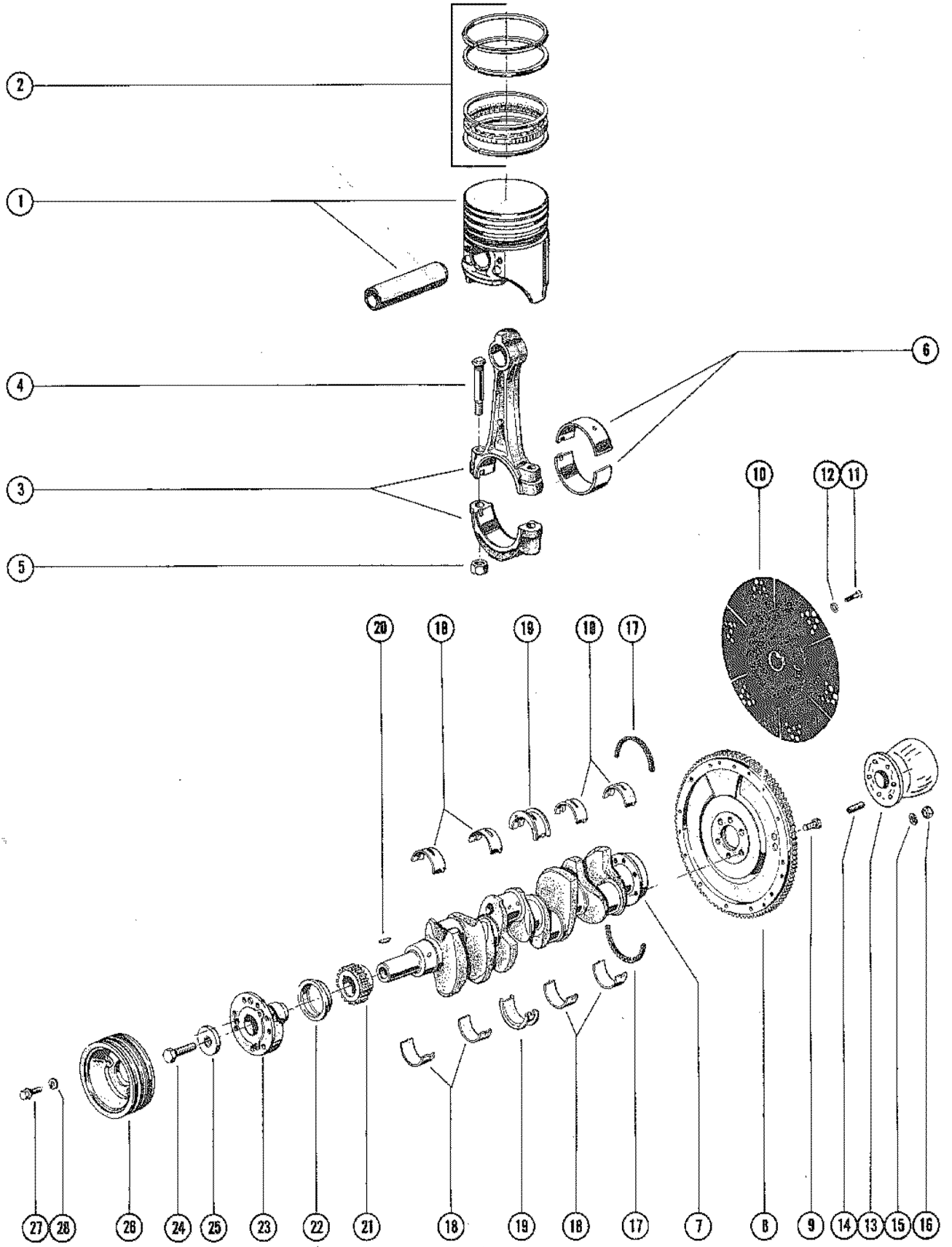
OIL PUMP AND OIL PAN



OIL PUMP AND OIL PAN

REF. NO.	PART NO.	SYM.	QTY.	DESCRIPTION
1	64787		1	OIL PUMP ASSEMBLY
2	27-64789		1	GASKET, OIL PUMP
3	27-56859		1	GASKET, OIL PUMP SCREEN
4	64788		1	SCREEN, OIL PUMP (STERN DRIVE)
	32-62131A1		1	OIL PICKUP ASSEMBLY (INBOARD)
5	10-56858		2	SCREW, SCREEN TO OIL PUMP (7/8")
6	24-64791		1	SPRING, OIL PUMP RELIEF VALVE
7	64792		1	PLUNGER, OIL PUMP RELIEF VALVE
8	19-65117		1	PLATE, OIL PUMP
10	10-56133		4	SCREW, PLATE TO OIL PUMP (5/8")
11	13-26992		4	LOCKWASHER, PLATE SCREW
12	64786		1	SHAFT ASSEMBLY, OIL PUMP
13	53-56860		1	RING, RETAINING - OIL PUMP SHAFT
14	64785		1	ROTOR AND SHAFT, OIL PUMP
15	10-56176		2	SCREW, OIL PUMP TO CYLINDER BLOCK (1 1/4")
16	13-56177		2	LOCKWASHER, OIL PUMP SCREW
17	72566		1	OIL PAN (STERN DRIVE)
	59529		1	OIL PAN (INBOARD)
18	27-65114A1		1	GASKET SET, OIL PAN SERIAL 00000000-04465029
	27-75483		1	GASKET SET, OIL PAN SERIAL 04465030-09999999
19	22-60720		1	PLUG, PIPE - OIL PAN DRAIN (STERN DRIVE)
	22-36373		1	PLUG, PIPE - OIL PAN DRAIN (INBOARD)
20	27-60721		1	GASKET, OIL DRAIN PLUG
21	10-60710		4	SCREW, OIL PAN TO CYL. BLOCK (5/16-18 X 7/8") STERN DRIVE
22	10-60708		18	SCREW, OIL PAN TO CYL. BLOCK (1/4-20 X 9/16") STERN DRIVE
21	10-55714		4	SCREW, OIL PAN TO CYL. BLOCK (5/16-18 X 7/8") INBOARD
22	10-55715		8	SCREW, OIL PAN TO CYL. BLOCK (1/4-20 X 7/8") INBOARD
23	13-26993		8	LOCKWASHER, OIL PAN SCREW (5/16") INBOARD
	13-26992		1	LOCKWASHER, OIL PAN SCREW (1/4") INBOARD
24	22-47625		1	ELBOW, OIL LEVEL GAUGE TUBE TO OIL PAN INBOARD
25	11-47626		1	NUT, OIL LEVEL GARGE TUBE INBOARD
26	62965		1	TUBE, OIL LEVEL GAUGE (STERN DRIVE)
	47492		1	TUBE, OIL LEVEL GAUGE INBOARD
27	70717		1	BRACKET, OIL LEVEL GAUGE TUBE CLIP INBOARD
28	54-28938		1	CLIP, OIL LEVEL GAUGE TUBE INBOARD
29	10-21548		1	SCREW, OIL GAUGE TUBE CLIP TO BRACKET (5/8") INBOARD
30	13-26992		1	LOCKWASHER, OIL LEVEL GAUGE TUBE CLIP SCREW INBOARD
31	11-20088		1	NUT, OIL LEVEL GAUGE TUBE CLIP SCREW INBOARD
32	63179		1	GAUGE, OIL LEVEL (DIPSTICK)-STERN DRIVE
	62311		1	GAUGE, OIL LEVEL (DIPSTICK)-INBOARD

CRANKSHAFT, PISTON AND CONNECTING ROD

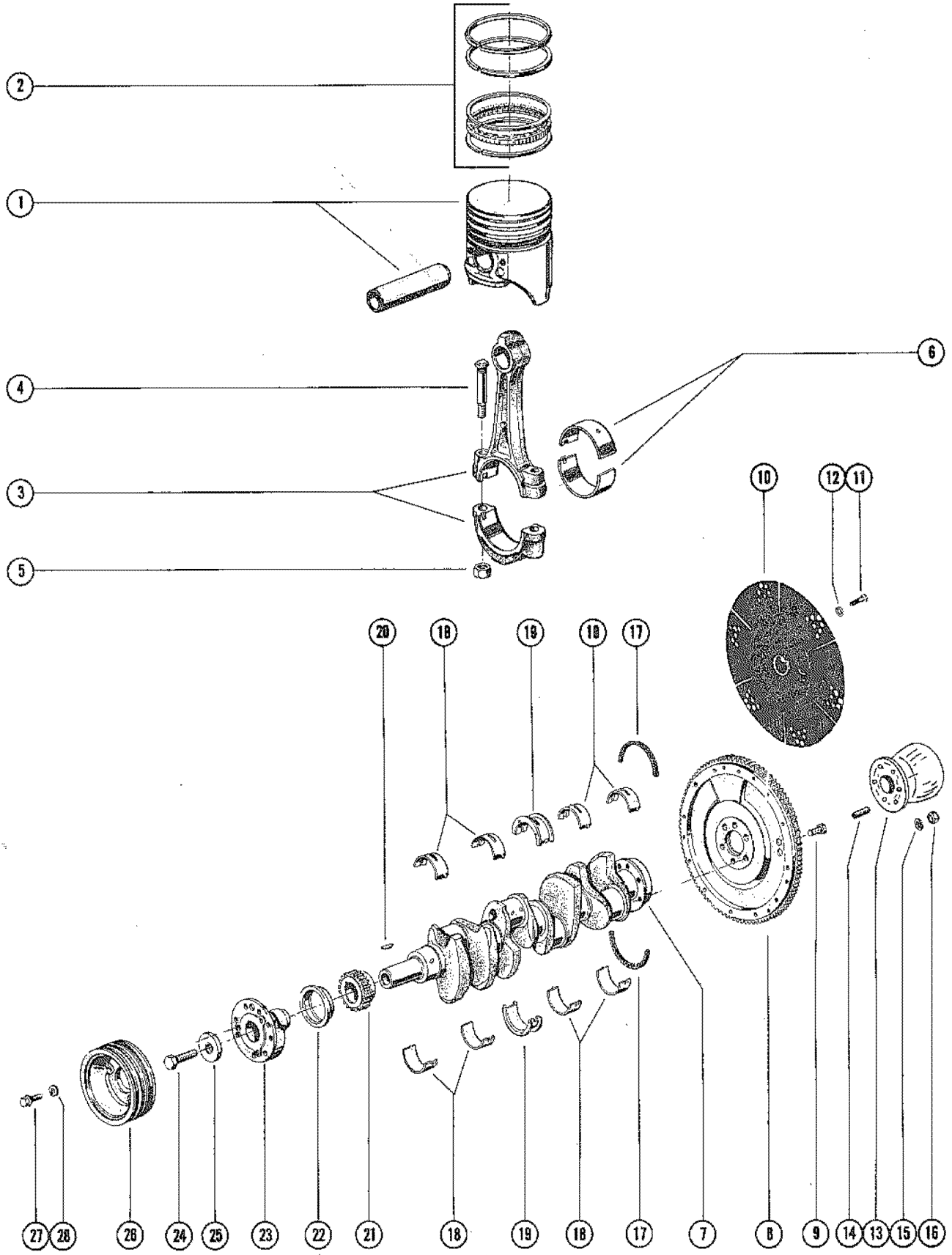


CRANKSHAFT, PISTON AND CONNECTING ROD

REF. NO.	PART NO.	SYM.	QTY.	DESCRIPTION
1	749-5791		8	PISTON AND PISTON PIN ASS'Y (STANDARD) SERIAL 00000000-04500860
	749-5795		AR	PISTON AND PISTON PIN ASS'Y (.003 O.S.) - USE STANDARD RING SERIAL 00000000-04500860
	749-5796		AR	PISTON AND PISTON PIN ASS'Y (.020 O.S.) SERIAL 00000000-04500860
	749-6561		8	PISTON AND PISTON PIN ASS'Y (STANDARD) SERIAL 04500861-09999999
	749-6562		AR	PISTON AND PISTON PIN ASS'Y (.003 O.S.) - USE STANDARD RING SERIAL 04500861-09999999
	479-6563		AR	PISTON AND PISTON PIN ASS'Y (.020 O.S.) SERIAL 04500861-09999999
2	39-56114		4	RING ASSEMBLY, PISTON (STANDARD) EACH PART NUMBER INCLUDES ENOUGH RINGS TO RERING 2 PISTONS
	39-56115		AR	RING ASSEMBLY, PISTON (.020 O.S.) EACH PART NUMBER INCLUDES ENOUGH RINGS TO RERING 2 PISTONS
3	623-5914		8	CONNECTING ROD ASSEMBLY
4	10-64770		16	BOLT, CONNECTING ROD
5	11-64769		16	NUT, CONNECTING ROD BOLT
6	23-64764		8	BEARING UNIT, CONNECTING ROD (STANDARD)
	23-64765		AR	BEARING UNIT, CONNECTING ROD (.001 U.S.)
	23-64766		AR	BEARING UNIT, CONNECTING ROD (.002 U.S.)
	23-64767		AR	BEARING UNIT, CONNECTING ROD (.010 U.S.)
	23-64768		AR	BEARING UNIT, CONNECTING ROD (.020 U.S.)
7	446-5105		1	CRANKSHAFT (LEFT HAND CRANKSHAFT ROTATION SERIAL 00000000-04500860
	446-5106		1	CRANKSHAFT (RIGHT HAND CRANKSHAFT ROTATION SERIAL 00000000-04500860
	446-6564		1	CRANKSHAFT (LEFT HAND CRANKSHAFT ROTATION SERIAL 04500861-09999999
8	238-4428		1	FLYWHEEL ASSEMBLY - 157 TEETH(STERN DRIVE) SERIAL 04500861-09999999
	238-4055		1	FLYWHEEL ASSEMBLY - 164 TEETH(INBOARD)
9	10-60706		6	BOLT, FLYWHEEL TO CRANKSHAFT (1 5/8")
10	47608		1	DRIVE PLATE, FLYWHEEL -INBOARD
11	10-56889		6	SCREW, DRIVE PLATE TO FLYWHEEL- INBOARD
12	13-26993		6	LOCKWASHER,DRIVE PLATE SCREW -INBOARD
13	59826A1		1	ENGINE COUPLING ASSEMBLY STERN DRIVE
14	16-60993		1	STUD, ENGINE COUPLING ATTACHING STERN DRIVE
15	12-32648		6	WASHER, ENGINE COUPLING ATTACHING STUDS STERN DRIVE
16	11-56407		6	NUT, ENGINE COUPLING ATTACHING STUD STERN DRIVE
17	26-64796		1	OIL SEAL, CRANDKSHAFT REAR (LEFT HAND CRANKSHAFT ROTATION)
	26-64797		1	OIL SEAL, CRANDKSHAFT REAR (RIGHT HAND CRANKSHAFT ROTATION)
18	23-64774		8	BEARING, CRANKSHAFT MAIN (STANDARD)

CONTINUED ON NEXT PAGE ➡

CRANKSHAFT, PISTON AND CONNECTING ROD

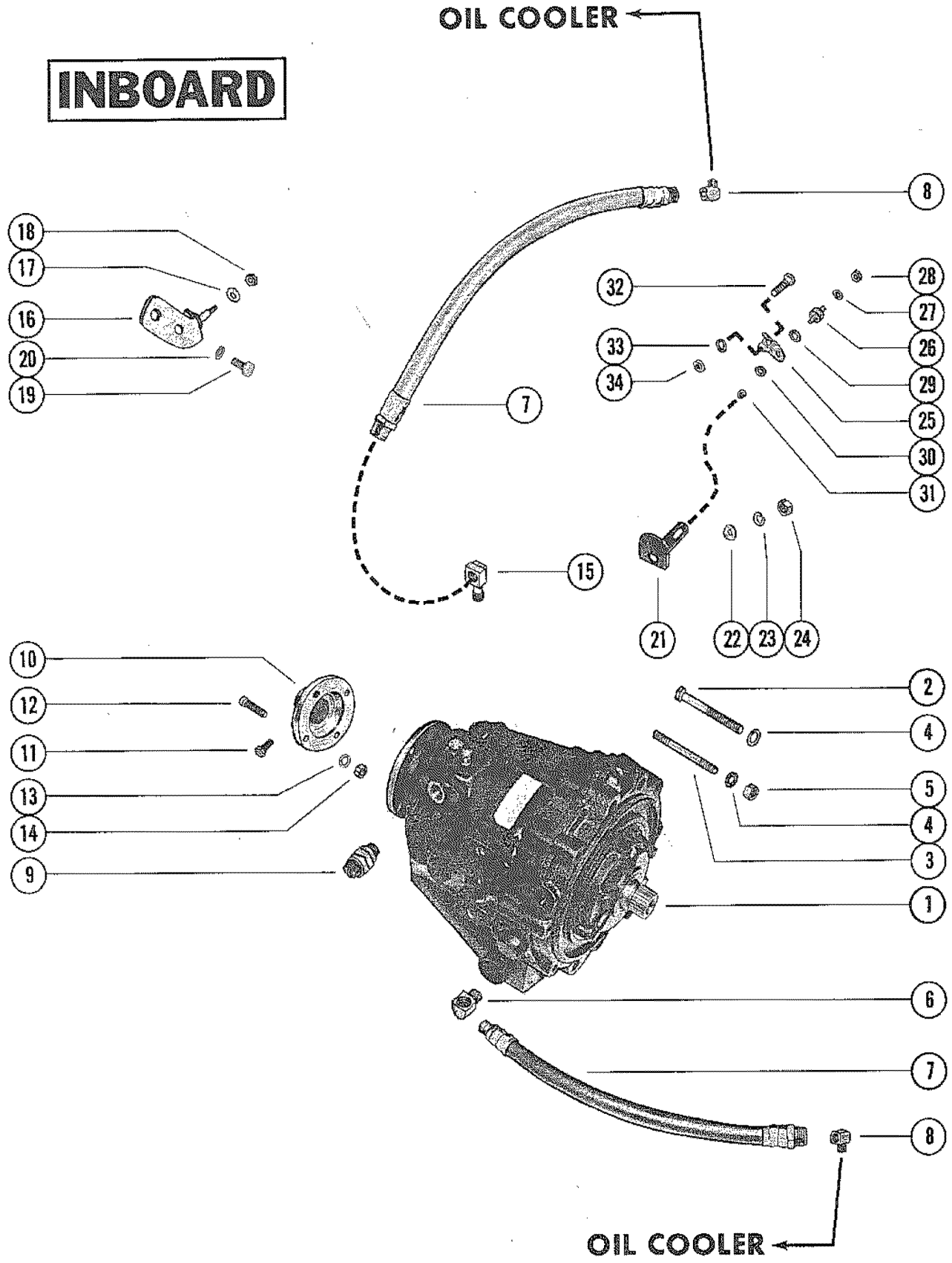


CRANKSHAFT, PISTON AND CONNECTING ROD

REF. NO.	PART NO.	SYM.	QTY.	DESCRIPTION
18	23-64775		AR	BEARING, CRANKSHAFT MAIN (.002 U.S.)
	23-64776		AR	BEARING, CRANKSHAFT MAIN (.010 U.S.)
	23-64777		AR	BEARING, CRANKSHAFT MAIN (.020 U.S.)
19	23-64778		1	BEARING, CRANKSHAFT MAIN - CENTER (STANDARD)
	23-64779		AR	BEARING, CRANKSHAFT MAIN - CENTER (.002 U.S.)
	23-64780		AR	BEARING, CRANKSHAFT MAIN - CENTER (.010 U.S.)
	23-64781		AR	BEARING, CRANKSHAFT MAIN - CENTER (.020 U.S.)
20	28-64771		1	KEY, TIMING SPROCKET TO CRANKSHAFT (SERIAL #4500860 AND BELO
	28-75618		1	KEY, TIMING SPROCKET TO CRANKSHAFT SERIAL 04500861-09999999
21	28-75618		1	SPROCKET, CRANKSHAFT TIMING (21 TEETH)
22	56143		1	SLINGER, OIL - CRANKSHAFT
23	64772		1	DAMPER ASS'Y CRANKSHAFT (LEFT HAND CRANKSHAFT ROTATION)
	64773		1	DAMPER ASS'Y CRANKSHAFT (RIGHT HAND CRANKSHAFT ROTATION)
24	10-60709		1	BOLT,DAMPER TO CRANKSHAFT (1 5/8")
25	12-56148		1	WASHER, DAMPER TO CRANKSHAFT BOLT
26	56144		1	PULLEY, CRANKSHAFT
27	10-35048		3	SCREW, PULLEY TO DAMPER
28	13-35048		3	LOCKWASHER, PULLEY SCREW

TRANSMISSION AND RELATED PARTS (INBOARD)

INBOARD



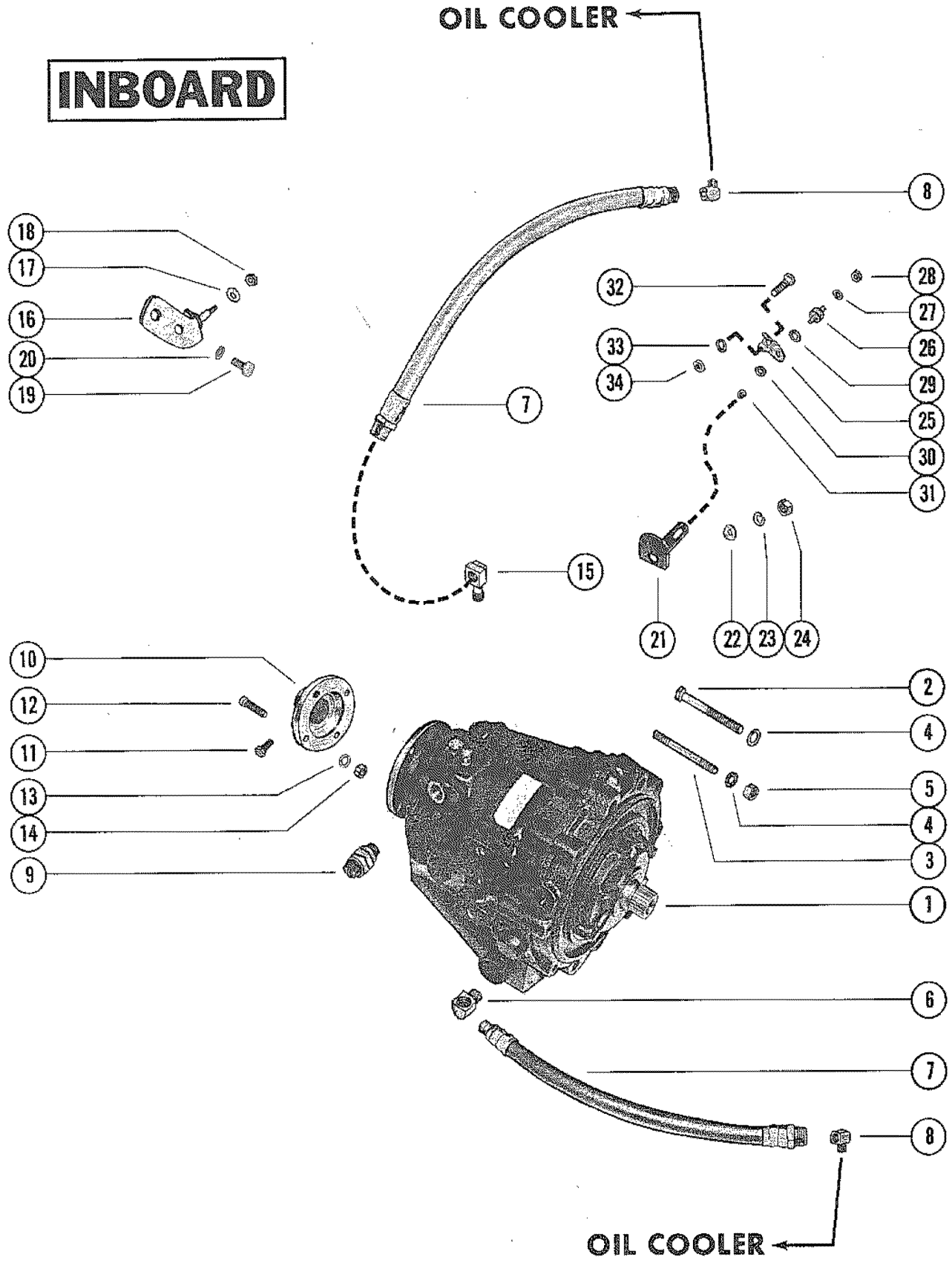
TRANSMISSION AND RELATED PARTS (INBOARD)

REF. NO.	PART NO.	SYM.	QTY.	DESCRIPTION
1	47805		1, , , ,	TRANSMISSION (DIRECT DRIVE)
	47806		0	TRANSMISSION (1.523:1 REDUCTION)
	47807		0	TRANSMISSION (19.09:1 REDUCTION)
	47808		0	TRANSMISSION (2.57:1 REDUCTION)
	47809		0	TRANSMISSION (2.909: REDUCTION)
2	10-47724		4, , , ,	SCREW, TRANSMISSION TO ENGINE (3")
	10-47724		6,6,6,6	SCREW, TRANSMISSION TO ENGINE (3")
3	16-57921		2, , , ,	STUD, TRANSMISSION TO ENGINE (4")
4	13-32993		6,6,6,6,6	LOCKWASHER, TRANSMISSION SCREW AND STUD
5	11-22024		2, , , ,	NUT, TRANSMISSION STUD
6	22-47629		1,1,1,1,1	ELBOW, HOSE TO TRANSMISSION (90)
7	32-47516-11		1, , , ,	HOSE, TRANSMISSION TO OIL COOLER (28")
	32-47516-12		0	HOSE, TRANSMISSION TO OIL COOLER (20")
	32-47516--6		1,1,1,1,1	HOSE, TRANSMISSION TO OIL COOLER (30")
8	63835		0	ELBOW, HOSE TO OIL COOLER
9	47613		1,1,1,1,1	SWITCH, NEUTRAL SAFETY
10	48381A1		OPT,OPT,OP	FLANGE ASSEMBLY (1") SEE NOTE A
	48382A1		OPT,OPT,OP	FLANGE ASSEMBLY (1 1/8") SEE NOTE A
	48383A1		OPT,OPT,OP	FLANGE ASSEMBLY (1 1/4") SEE NOTE A
	48384A1		OPT,OPT,OP	FLANGE ASSEMBLY (1 3/8") SEE NOTE A
	48385A1		OPT,OPT,OP	FLANGE ASSEMBLY (1 1/2") SEE NOTE A
	48386A1		0	FLANGE ASSEMBLY (1") SEE NOTE B
	48387A1		0	FLANGE ASSEMBLY (1 1/8") SEE NOTE B
	48388A1		0	FLANGE ASSEMBLY (1 1/4") SEE NOTE B
	48389A1		0	FLANGE ASSEMBLY (1 3/8") SEE NOTE B
	48390A1		0	FLANGE ASSEMBLY (1 1/2") SEE NOTE B
11	10-60168		2,2,2,,	SCREW, FLANGE TO PROPELLER SHAFT (1 1/2") SEE NOTE A AND B
	10-60171		0	SCREW, FLANGE TO PROPELLER SHAFT (1 1/4") SEE NOTE A AND B
	10-60170		0	SCREW, FLANGE TO PROPELLER SHAFT (1") SEE NOTE A AND B
	10-60169		2,2,2,,	SCREW, FLANGE TO PROPELLER SHAFT (3/4") SEE NOTE A AND B
12	10-37909		4,4,4,,	SCREW, FLANGE TO PROPELLER SHAFT (1 1/8")
13	13-35048		4,4,4,,	LOCKWASHER, TRANSMISSION FLANGE SCREW
14	11-24883		4,4,4,,	NUT, TRANSMISSION FLANGE SCREW
15	22-63824		0	ELBOW, HOSE TO TRANSMISSION (90)
16	63815A1		1,1,1,1,1	BRACKET, SHIFT CABLE
17	12-37407		1,1,1,1,1	WASHER, SHIFT CABLE TO BRACKET STUD
18	11-46438		1,1,1,1,1	NUT, SHIFT CABLE TO BRACKET STUB (10-32)
19	10-35585		2,2,2,2,2	SCREW, BRACKET TO TRANSMISSION (3/4")
20	13-26992		2,2,2,2,2	LOCKWASHER, BRACKET SCREW
21	48515		1,1,1,1,1	1 1

CONTINUED ON NEXT PAGE ➡

TRANSMISSION AND RELATED PARTS (INBOARD)

INBOARD



TRANSMISSION AND RELATED PARTS (INBOARD)

REF. NO.	PART NO.	SYM.	QTY.	DESCRIPTION
22	152-20722		1,1,1,1,1	WASHER,K SHIFT LEVER TO TRANSMISSION
23	13-26993		1,1,1,1,1	LOCKWASHER, SHIFT LEVER OT TRANSMISSION
24	11-20083		1,1,1,1,1	NUT, SHIFT LEVER TO TRASMISSION
25	48652		1,1,1,1,1	ADAPTOR, SHIFT LEVER TO TRANSMISSION
26	16-48680		1,1,1,1,1	STUD, SHIFT CABLE ADAPTOR TO SHIFT LEVER (1 1/4")
27	12-20533		1,1,1,1,1	WASHER, SHIFT CABLE ADAPTOR STUD
28	11-46887		1,1,1,1,1	NUT, SHIFT CABLE ADAPTOR STUD (1/4-28)
29	13-29402		1,1,1,1,1	WAVE WASHER, SHIFT CABLE ADAPTOR STUD
30	12-37407		1,1,1,1,1	WASHER, SHIFT CABLE ADAPTOR STUD
31	11-46438		1,1,1,1,1	NUT, SHIFT CABLE ADAPTOR STUD (10-32)
32	10-20639		1,1,1,1,1	SCREW, SHIFT CABLE TO ADAPTOR (1 1/8")
33	12-22753		1,1,1,1,1	WASHER, SHIFT CABLE SCREW
34	11-46793		1,1,1,1,1	NUT, SHIFT CABLE SCREW (5/16-24)

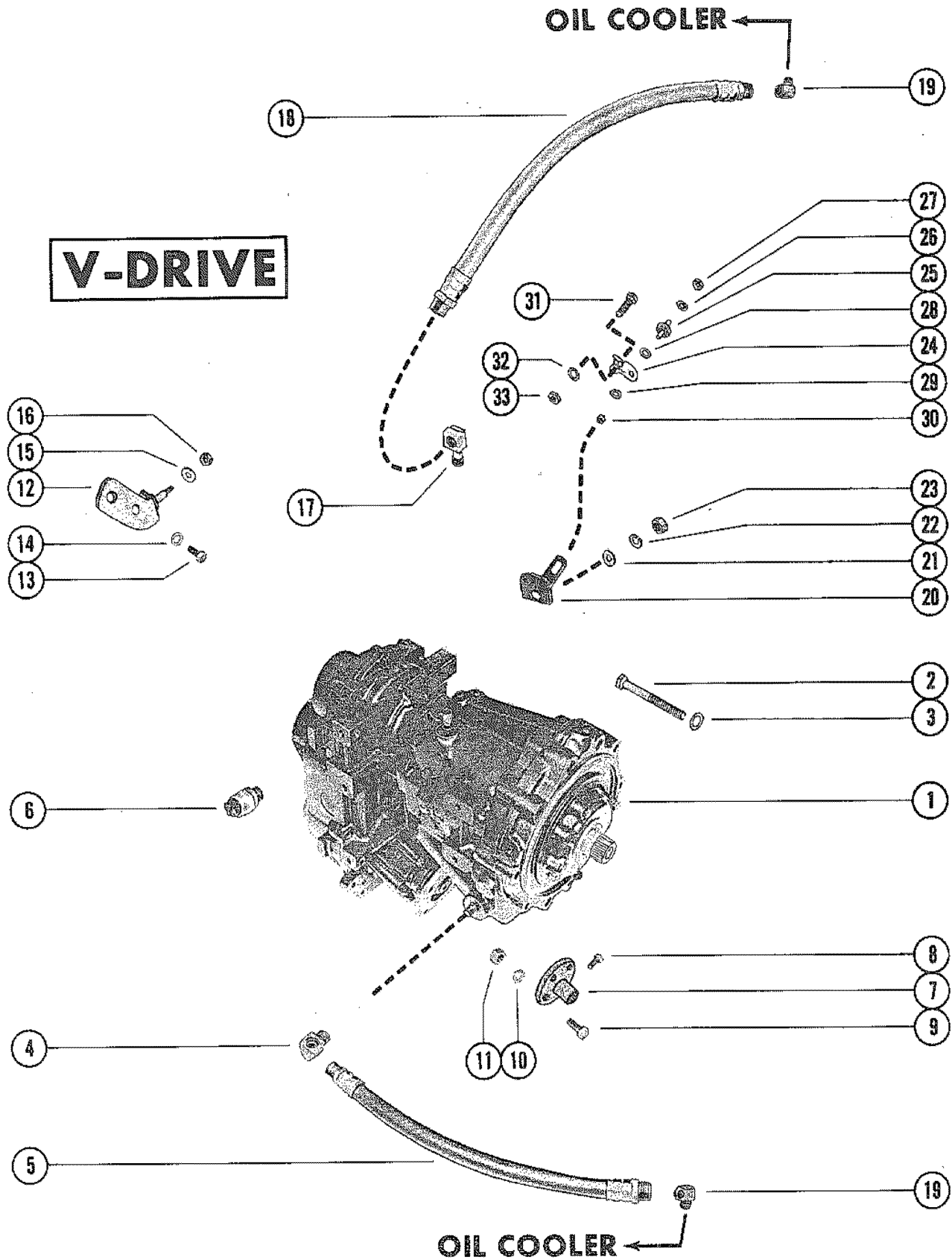
TRANSMISSION AND ENGINE MOUNTING (INBOARD)

* * * * MISSING ILLUSTRATION * * * *

TRANSMISSION AND ENGINE MOUNTING (INBOARD)

REF. NO.	PART NO.	SYM.	QTY.	DESCRIPTION
1	66417		2	BRACKET, MOUNTING - TRANSMISSION (REAR)
2	10-37269		4	SCREW, BRACKET TO TRANSMISSION (2")
3	13-32993		4	LOCKWASHER, BRACKET SCREW
4	10-57357		2	SCREW, CLAMPING - MOUNTING BRACKET (2 1/4")
5	13-32993		2	LOCKWASHER, CLAMPING SCREW
6	11-29553		2	NUT, CLAMPING SCREW
7	66169		2	BRACKET, MOUNTING - ENGINE (FRONT)
8	16-65737		3	STUD, FRONT MOUNTING BRACKET (2 5/8")
	16-65743		1	STUD, FRONT MOUNTING BRACKET STARBOARD REAR (3")
9	13-32993		2	LOCKWASHER, FRONT MOUNTING BARCKET
10	11-34933		4	NUT, FRONT MOUNTING BRACKET
11	10-68743		2	SCREW, ENGINE LOCATING (1 1/4")
12	11-22024		2	NUT, ENGINE LOCATING SCREW
13	10-37269		2	SCREW, CLAMPING - MOUNTING BRACKET (2")
14	13-32993		2	LOCKWASHER , CLAMPING SCREW
15	11-29553		2	NUT, CLAMPING SCREW
16	66166		4	TRUNNION, ADJUSTING - MOUNTING BRACKET
17	13-68102		4	LOCKWASHER, MOUNTING BRACKET
18	66284		4	BASE, ENGINE MOUNT
19	11-20739		8	NUT, JAM - ENGINE MOUNT BASE
20	14-66658		4	TAB WASHER, BASE NUT

TRANSMISSION AND RELATED PARTS (V-DRIVE)

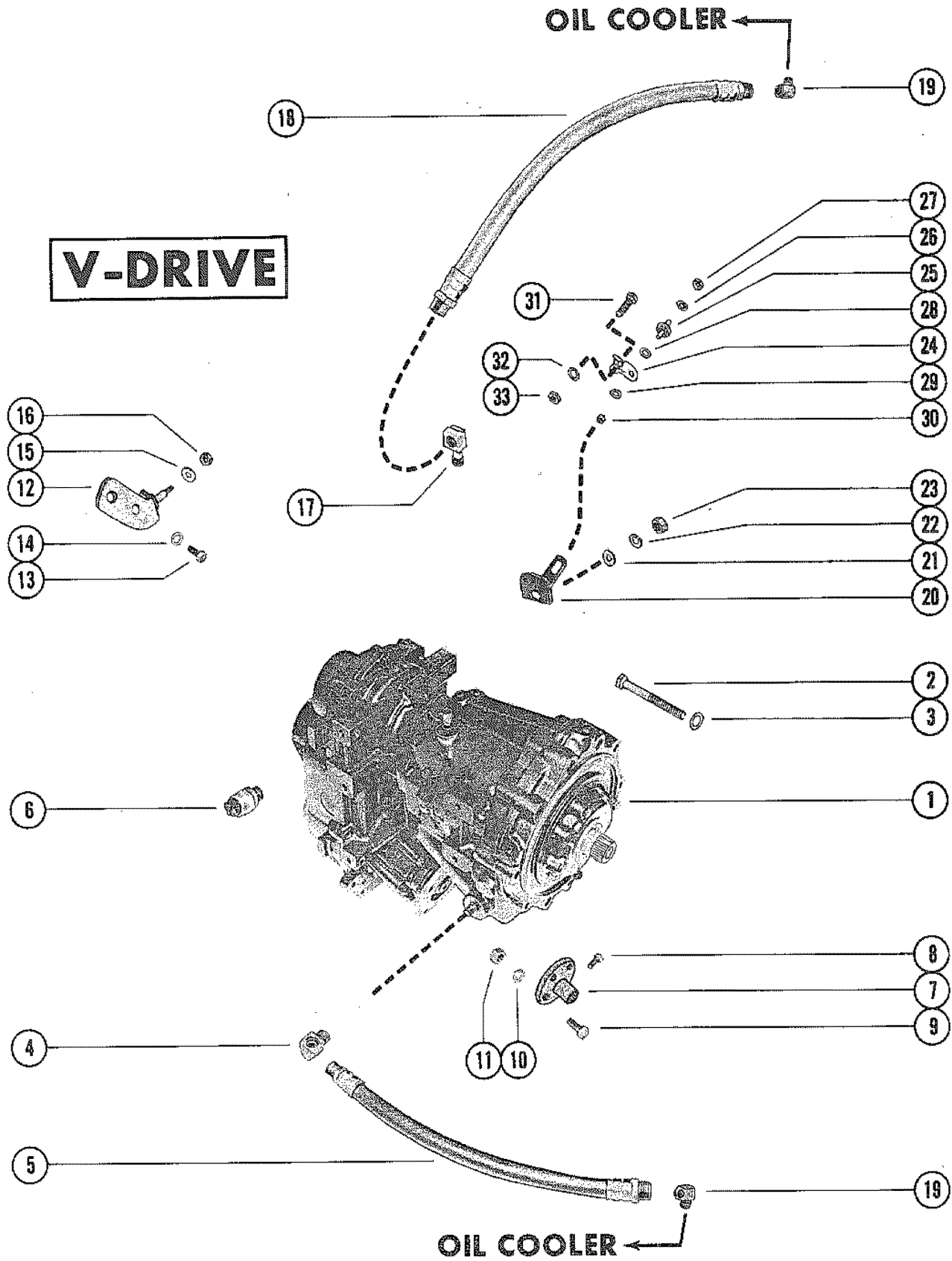


TRANSMISSION AND RELATED PARTS (V-DRIVE)

REF. NO.	PART NO.	SYM.	QTY.	DESCRIPTION
1	60953		1	TRANSMISSION, V-DRIVE (DIRECT DRIVE)
	60588		1	TRANSMISSION, V-DRIVE (1.51:1) REDUCTION)
	60954		1	TRANSMISSION, V-DRIVE (1.99:1) REDUCTION)
	60955		1	TRANSMISSION, V-DRIVE (249:1) REDUCTION)
	60956		1	TRANSMISSION, V-DRIVE (3.14:REDUCTION)
2	10-47724		6	SCREW, TRANSMISSION TO ENGINE (3")
3	13-32993		6	LOCKWASHER, TRANSMISSION SCREW
4	22-63824		1	ELBOW, HOSE TO TRANSMISSION (90)
5	32-47516--9		1	HOSE, OIL COOLER TO TRANSMISSION (37")
6	47613		1	SWITCH, NEUTRAL SAFETY
7	48386A1		OPT	FLANGE ASSEMBLY (1")
	48387A1		OPT	FLANGE ASSEMBLY (1 1/8")
	48388A1		OPT	FLANGE ASSEMBLY (1 1/4")
	48389A1		OPT	FLANGE ASSEMBLY (1 3/8")
	48390A1		OPT	FLANGE ASSEMBLY (1 1/2")
	57295A1		OPT	FLANGE ASSEMBLY (1 3/4")
	57296A1		OPT	FLANGE ASSEMBLY (2")
8	10-60171		2	SCREW, FLANGE TO PROPELLER SHAFT (1 1/4") SEE NOTE
	10-60170		2	SCREW, FLANGE TO PROPELLER SHAFT (1") SEE NOTE
	10-60169		2	SCREW, FLANGE TO PROPELLER SHAFT (3/4") SEE NOTE
9	10-60106		4	SCREW, TRANSMISSION FLANGE TO PROPELLER FLANGE (1 1/4")
10	13-32993		4	LOCKWASHER, FLANGE SCREW
11	11-22024		4	NUT, FLANGE SCREW
12	63815A1		1	BRACKET, SHIFT CABLE
13	10-22469		2	SCREW, BRACKET TO TRANSMISSION
14	13-26992		2	LOCKWASHER, BRACKET TO TRANSMISSION SCREW
15	12-56881		1	WASHER, SHIFT CABLE TO BRACKET STUD
16	11-46438		1	NUT, SHIFT CABLE TO BRACKET STUD (10-32)
17	22-47629		1	ELBOW, HOSE TO TRANSMISSION (90)
18	32-47516-10		1	HOSE, TRANSMISSION TO OIL COOLER (33")
19	212-47629		2	ELBOW, HOSE TO OIL COOLER (90)
20	48515		1	LEVER, SHIFT - TRANSMISSION
21	12-20722		1	WASHER, SHIFT LEVER TO TRANSMISSION
22	13-26993		1	LOCKWASHER, SHIFT LEVER TO TRANSMISSION
23	11-20083		1	NUT, SHIFT LEVER TO TRANSMISSION
24	48652		1	ADAPTOR, SHIFT CABLE TO SHIFT LEVER
25	16-48680		1	STUD, SHIFT CABLE ADAPTOR TO SHIFT LEVER (1 1/4")
26	12-20533		1	WASHER, SHIFT CABLE ADAPTOR STUD
27	11-46887		1	NUT, SHIFT CABLE ADAPTOR STUD (1/4-28)
28	13-29402		1	WAVE, WASHER, SHIFT CABLE ADAPTOR STUD

CONTINUED ON NEXT PAGE ➡

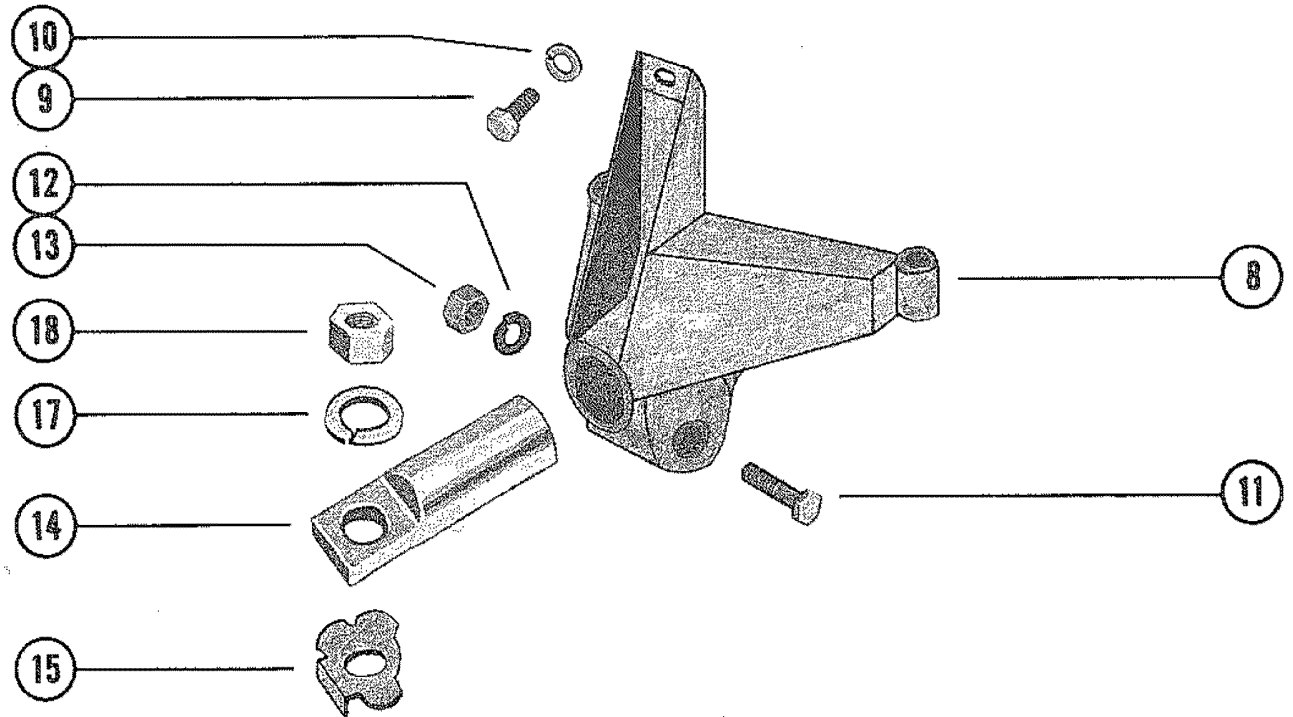
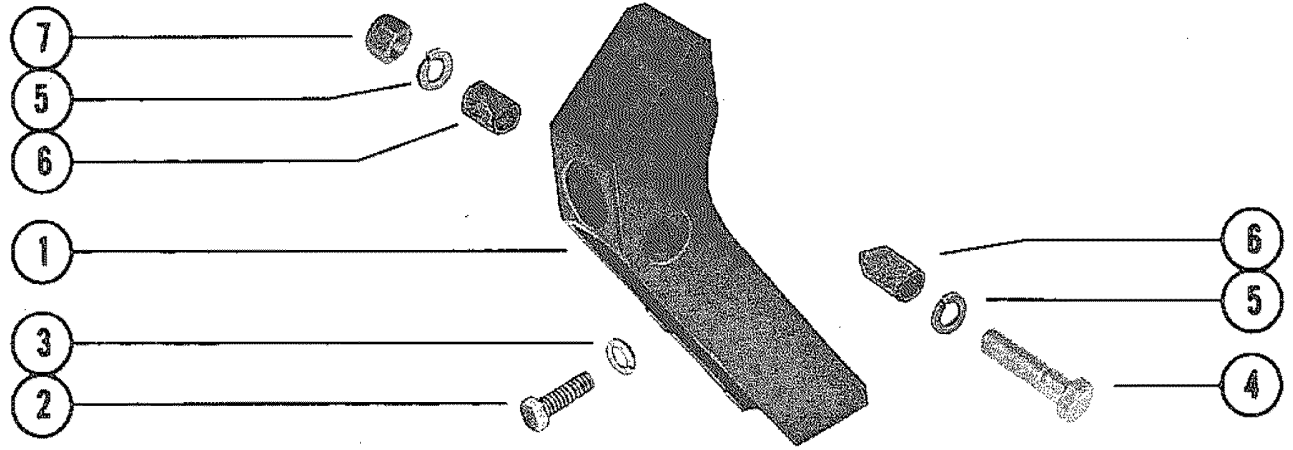
TRANSMISSION AND RELATED PARTS (V-DRIVE)



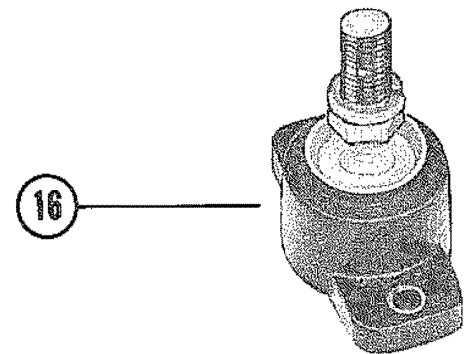
TRANSMISSION AND RELATED PARTS (V-DRIVE)

REF. NO.	PART NO.	SYM.	QTY.	DESCRIPTION
29	12-56881		1	WASHER, SHIFT CABLE ADAPTOR STUD
30	11-46438		1	NUT, SHIFT CABLE ADAPTOR STUD (10-32)
31	10-20639		1	SCREW, SHIFT CABLE TO ADAPTOR (1 1/8")
32	12-22753		1	WASHER, SHIFT CABLE SCREW
33	11-46793		1	NUT, SHIFT CABLE SCREW (5/16-24)

TRANSMISSION AND ENGINE MOUNTING (V-DRIVE)



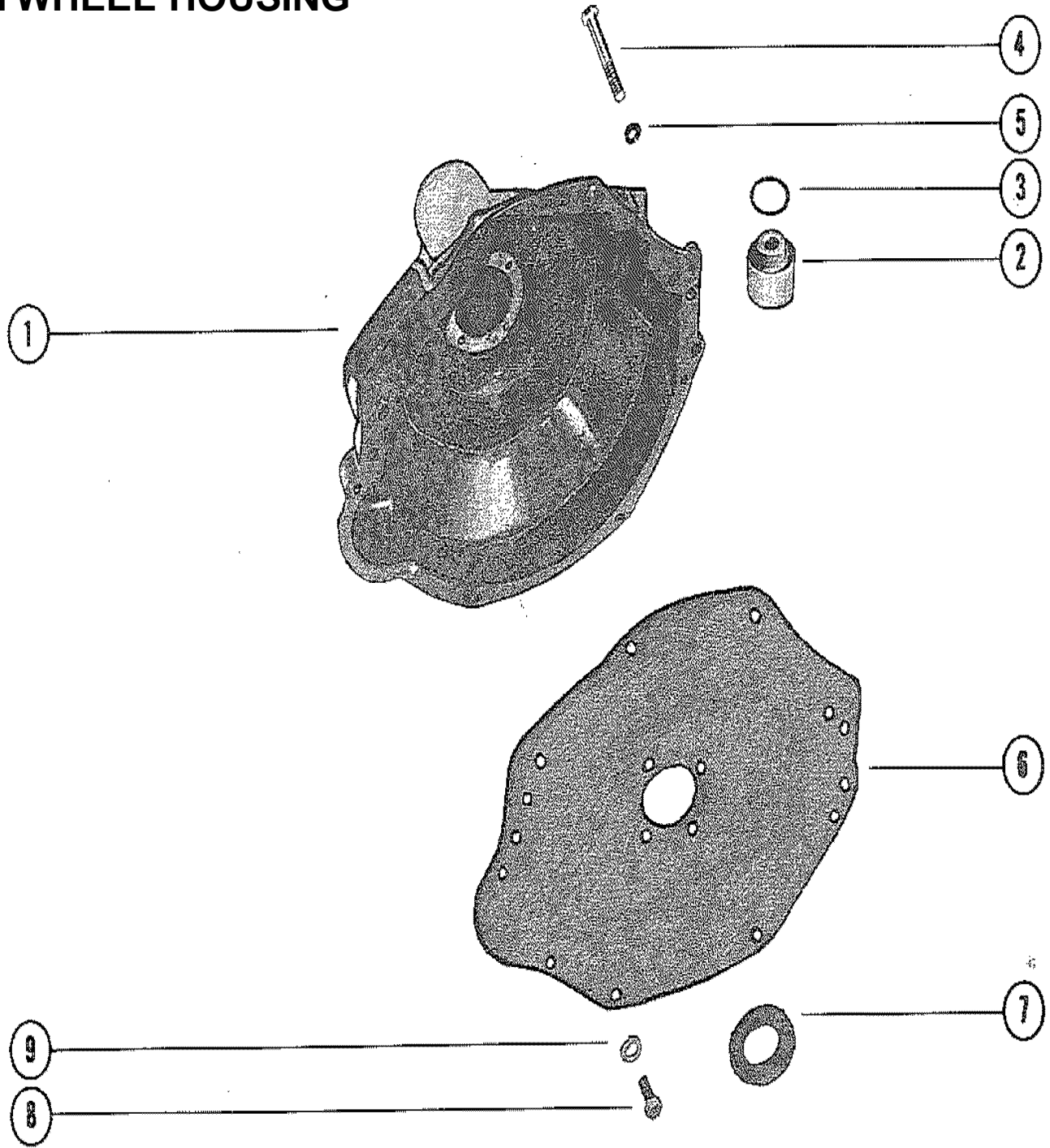
V-DRIVE



TRANSMISSION AND ENGINE MOUNTING (V-DRIVE)

REF. NO.	PART NO.	SYM.	QTY.	DESCRIPTION
1	62285		2	BRACKET, MOUNTING (REAR)
2	10-47462		4	SCREW, MOUNTING BRACKET TO TRANSMISSION (1 1/4")
3	13-32993		6	LOCKWASHER, MOUNTING BRACKET SCREW
4	10-47654		4	SCREW, CLAMP - ADJUSTING TRUNNION (2 3/4")
5	13-32993		4	LOCKWASHER, CLAMP ADJUSTING TRUNNION SCREW
6	54-47528		4	CLAMP, ADJUSTING TRUNNION SCREW
7	11-29553		4	NUT, CLAMP ADJUSTING TRUNNION SCREW
8	66169		2	BRACKET, MOUNTING (FRONT)
9	10-47724		6	SCREW, MOUNTING BRACKET TO CYLINDER BLOCK (3")
10	13-32993		6	LOCKWASHER, MOUNTING BRACKET SCREW
11	10-37629		2	SCREW, CLAMPING - MOUNTING BRACKET
12	13-32993		2	LOCKWASHER, CLAMPING - MOUNTING BRACKET
13	11-29553		2	NUT, SCREW CLAMPING
14	66166		4	TRUNNION, ADJUSTING - MOUNTING BRACKET
15	14-66658		4	TAB, WASHER, BASE NUT
16	66284		4	BASE, MOUNTING - ENGINE
17	13-68102		4	LOCKWASHER, MOUNTING BRACKET
18	11-20739		8	NUT, JAM - ENGINE MOUNT BASE
-	27-70143		2	GASKET, CARBURETOR
-	16-70236		2	STUD, CARBURETOR MOUNTING (1 9/16")
-	16-70237		2	STUD, CARBURETOR MOUNTING (2 11/16")
-	55241		1	GAUGE, OIL LEVEL (DIPSTICK)
-	602212A1		2	EXHAUST ELBOW RISER
-	16-49545		8	STUD, EXHAUST ELBOW TO RISER (1 3/4")
-	22-32802		2	PLUG, EXHAUST ELBOW RISER
-	22-36305		2	ELBOW, EXHAUST RISER
-	16-60607		4	STUD, MANIFOLD TO RISER (2 1/4")
-	11-49838		8	NUT, RISER TO EXHAUST ELBOW STUD
-	13-37459		8	LOCKWASHER, RISER TO EXHAUST ELBOW STUD
-	27-52076		6	GASKET, ELBOW TO RISER

FLYWHEEL HOUSING



STERN DRIVE

FLYWHEEL HOUSING

REF. NO.	PART NO.	SYM.	QTY.	DESCRIPTION
1	59823A1		1	FLYWHEEL HOUSING ASSEMBLY
2	33149		2	MOUNT, RUBBER - FLYWHEEL HOUSING
3	23-46742		2	SPACER, RUBBER MOUNT-FLYWHEEL HOUSING
4	10-47462		3	SCREW, FLYWHEEL HOUSING ATTACHING (1 1/4")
	10-54847		1	SCREW, FLYWHEEL HOUSING ATTACHING (2")
5	13-32993		3	LOCKWASHER, FLYWHEEL HOUSING SCREW (7/16")
	13-30381		1	LOCKWASHER, FLYWHEEL HOUSING SCREW - SPECIAL (7/16")
6	68651		1	PLATE, COVER-REAR
7	27-56152		1	SEAL, REAR COVER PLATE
8	10-25299		2	SCREW, FLYWHEEL HOUSING ATTACHING (3/4")
9	13-39107		2	LOCKWASHER, FLYWHEEL HOUSING SCREW (5/16")

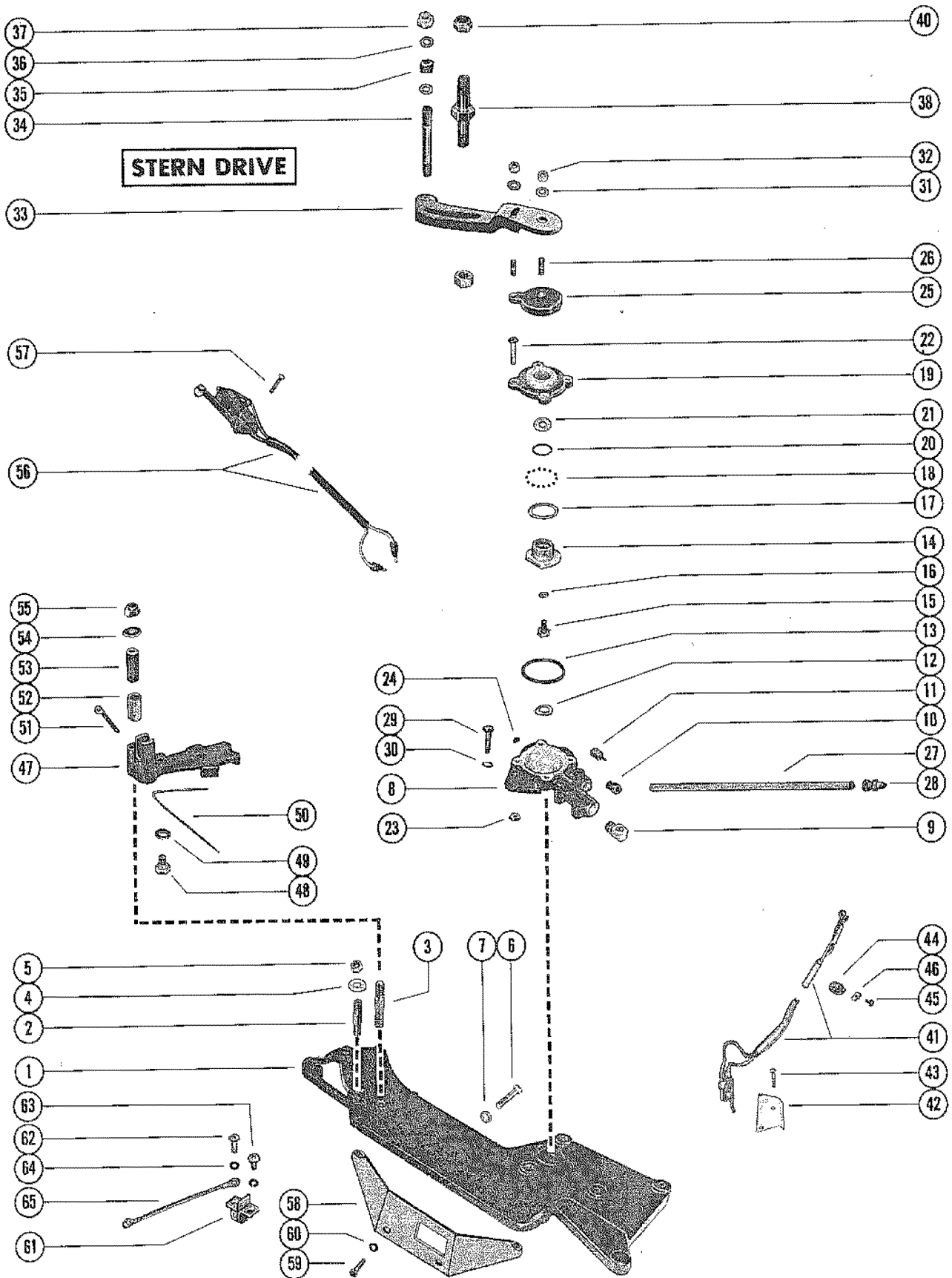
WATER DISTRIBUTION HOSES

* * * * MISSING ILLUSTRATION * * * *

WATER DISTRIBUTION HOSES

REF. NO.	PART NO.	SYM.	QTY.	DESCRIPTION
1	32-61386		1	HOSE, THERMOSTAT COVER TO EXHAUST ELBOW STARBOARD
2	32-60202		1	HOSE, THERMOSTAT COVER TO FRONT END CAP STARBOARD
3	32-61383		1	HOSE, THERMOSTAT HOUSING TO REAR END CAP STARBOARD
4	32-61387		1	HOSE, THERMOSTAT COVER TO EXHAUST ELBOW PORT
5	32-61385		1	HOSE, THERMOSTAT COVER TO FRONT END CAP PORT
6	32-61384		1	HOSE, THERMOSTAT COVER TO FRONT END CAP PORT
7	54-60539		2	CLAMP, HOSE ATTACHING
8	54-32780		12	CLAMP, HOSE ATTACHING

SHIFT BRACKET, REVERSE LOCK VALVE AND ARM ASSEMBLY (STERN DR

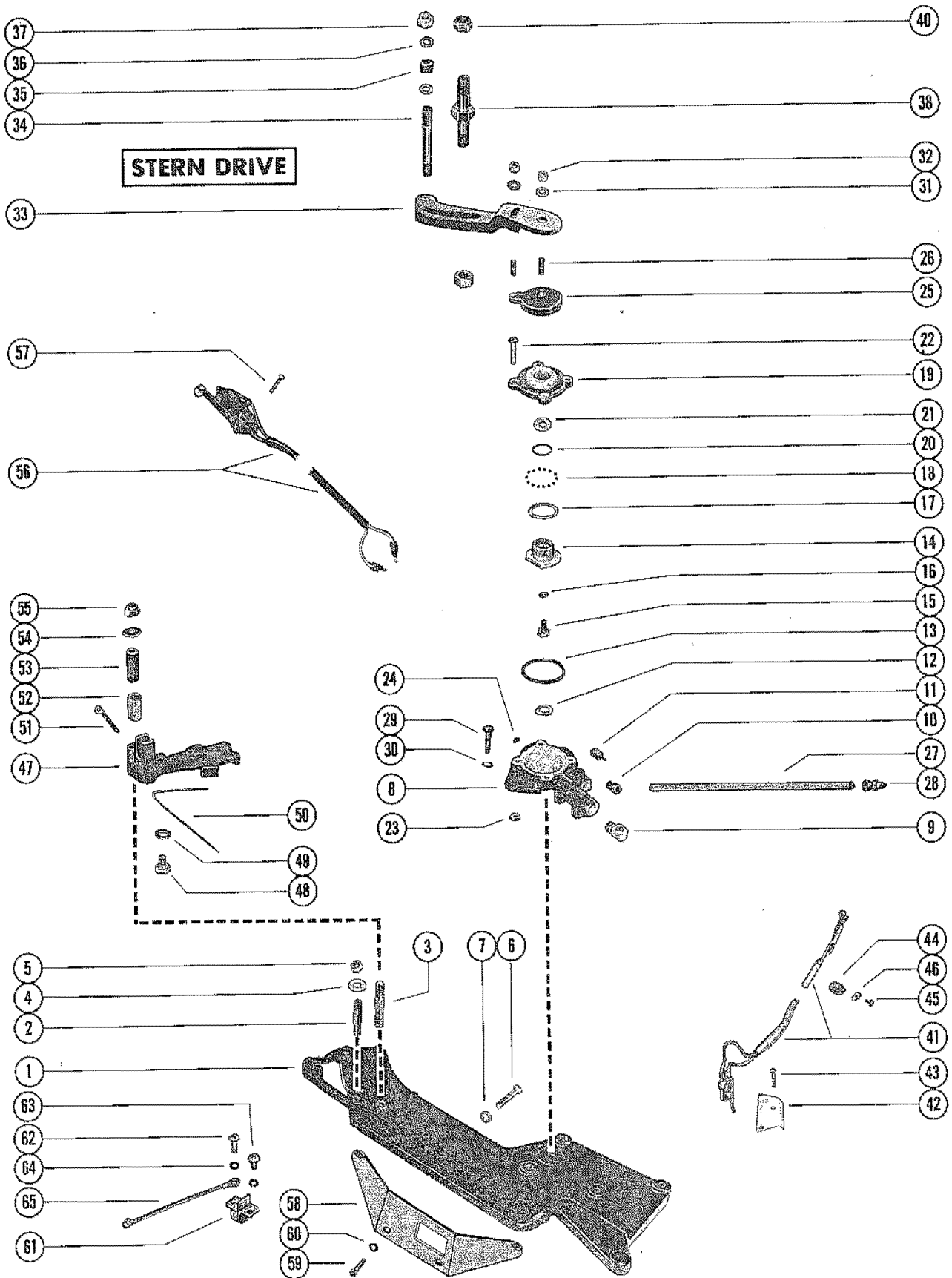


SHIFT BRACKET, REVERSE LOCK VALVE AND ARM ASSEMBLY (STERN DR

REF. NO.	PART NO.	SYM.	QTY.	DESCRIPTION
1	66057A3		1	SHIFT BRACKET ASSEMBLY
2	16-47360		1	STUD, SHIFT CABLE TO BRACKET (1 3/4") 1
3	16-66373		1	STUD, SWITCH ACTUATING ARM TO SHIFT BRACKET (2 5/16")
4	12-39143		2	WASHER, SHIFT CABLE TO LEVER STUD
5	11-20361		2	NUT, SHIFT BRACKET STUD
6	10-47651		2	SCREW, SHIFT BRACKET TO FLYWHEEL HOUSING (1 1/2")
7	13-32993		2	LOCKWASHER, SHIFT BRACKET ATTACHING SCREW
8	48165A5		1	REVERSE LOCK VALVE ASSEMBLY
9	22-45794		1	ELBOW, HYDRAULIC TRIM HOSE TO REVERSE LOCK VALVE
10	22-48167		1	CONNECTOR, ELBOW
11	45709		1	FOLLOWER, CAM
12	13-25906		1	WASHER, WAVE - REVERSE LOCK VALVE
13	25-45710		1	"O" RING, REVERSE LOCK VALVE
14	45526		1	CAM, REVERSE LOCK VALVE
15	10-46736		1	SCREW, CAM TO CAM LEVER (1/2")
16	13-26996		1	LOCKWASHER, CAM SCREW
17	12-45713		1	WASHER, RETAINING - BALL TO VALVE COVER
18	30-45712		30	,BALL, VALVE COVER
19	45528A2		1	COVER ASSEMBLY, REVERSE LOCK VALVE
20	25-45711		1	"O" RING, VALVE COVER
21	12-59570		1	WASHER, VALVE COVER
22	10-45716		4	SCREW, COVER TO REVERSE LOCK VALVE (15/16")
23	11-20110		4	NUT, COVER SCREW
24	22-21290		1	PLUG, PIPE - REVERSE LOCK VALVE
25	46732A1		1	LEVER ASSEMBLY, CAM
26	16-45715		2	STUD, SHIFT CONTROL LEVER TO CAM LEVER (23/32")
27	32-52951A1		1	TUBING ASSEMBLY, REVERSE LOCK VALVE TO TRIM SENDER
28	22-49718		2	NUT, TUBING ATTACHING
29	10-25038		2	SCREW, REVERSE LOCK VALVE TO SHIFT SUPPORT BRACKET (7/8")
30	13-39107		2	LOCKWASHER, REVERSE LOCK VALVE SCREW
31	12-21273		2	WASHER, CAM LEVER STUD
32	11-20110		2	NUT, SHIFT CONTROL LEVER TO CAM LEVER STUD
33	66397A1		1	LEVER ASSEMBLY, SHIFT CONTROL - CAM LEVER
34	16-63081		1	STUD, SHIFT CABLE TO LEVER
35	23-31866		1	SPACER, SHIFT LEVER STUD
36	12-39143		2	WASHER, SHIFT LEVER STUD
37	11-20361		1	NUT, SHIFT CABLE TO LEVER STUD
38	16-63335		1	STUD, SHIFT CABLE TO SHIFT LEVER
40	11-63341		1	TEE NUT, SHIFT CABLE STUD
41	60556A1		1	SWITCH ASSEMBLY, REVERSE INTERLOCK

CONTINUED ON NEXT PAGE ➡

SHIFT BRACKET, REVERSE LOCK VALVE AND ARM ASSEMBLY (STERN DR



SHIFT BRACKET, REVERSE LOCK VALVE AND ARM ASSEMBLY (STERN DR

REF. NO.	PART NO.	SYM.	QTY.	DESCRIPTION
42	45717		1	SHIELD, REVERSE INTERLOCK SWITCH
43	10-58332		2	SCREW, SHIELD AND SWITCH TO REVERSE LOCK VALVE (3/4")
44	54-64855		1	"J" CLAMP, REVERSE INTERLOCK SWITCH LEAD
45	10-21643		1	SCREW, REVERSE INTERLOCK SWITCH LEAD CLIP ATTACHING (1/2")
46	22789		1	"D" WASHER, CLIP ATTACHING SCREW
47	45517A2		1	ARM ASSEMBLY, SWITCH ACTUATING
48	10-33231		1	SCREW, TENSION SPRING TO ARM
49	12-26825		1	WASHER, TENSION SPRING SCREW
50	24-45599		1	SPRING, TENSION - SWITCH ACTUATING ARM
51	18-32857		1	COTTER PIN, SHIFT ACTUATING CABLE TO ACTUATING ARM
52	23-45600		1	SLEEVE, SWITCH ACTUATING ARM STUD
53	23-37981		1	SPACER, SWITCH, ACTUATING ARM TO TRANSOM PLATE
54	12-26825		2	WASHER, SWITCH ACTUATING ARME STUD
55	1135814		1	NUT, SWITCH ACTUATING ARM STUD
56	39670A5		1	SWITCH ASSEMBLY, CUT-OUT - TRANSOM PLATE
57	10-30902		2	SCREW, SWITCH ASSEMBLY TO TRANSOM PLATE (3/4")
58	66059		1	BRACKET, MOUN TING - SHIFT
59	10-35386		3	SCREW, SHIFT BRACKET ATTACHING
60	13-39107		3	LOCKWASHER, SHIFT BRACKET ATTACHING SCREW
61	86-66986		1	TERMINAL BLOCK, SHIFT BRACKET
62	10-24637		1	SCREW, TERMINAL BLOCK (7/8")
63	10-45218		1	SCREW, TERMINAL BLOCK (3/8")
64	13-26996		2	LOCKWASHER, TERMINAL BLOCK SCREW
65	84-60871A9		1	WIRE, TERMINAL BLOCK (BLACK - 13")

PARTS INDEX

Part Number	Description	Pg.	Ref. No.	Part Number	Description	Pg.	Ref. No.
1135814	NUT, SWITCH ACTUATING ARM STUD	71	55	47809	TRANSMISSION (2.909: REDUCTION)	53	1
2264426	PETCOCK, WATER DRAIN - CYLNDER BLOCK	43	-	47816	SIGHT GLASS	19	5
22789	"D" WASHER, CLIP ATTACHING SCREW	71	46	48165A5	REVERSE LOCK VALVE ASSEMBLY	69	8
25661	STARTER SOLENOID	7	6	48381A1	FLANGE ASSEMBLY (1")	53	10
26079	PLATE, WIRING HARNESS TO MOUNTING BRACKET	7	2	48382A1	FLANGE ASSEMBLY (1 1/8")	53	10
26079	PLATE, WIRING HARNESS TO MOUNTING BRACKET	9	2	48383A1	FLANGE ASSEMBLY (1 1/4")	53	10
26433	COIL, IGNITION	11	18	48384A1	FLANGE ASSEMBLY (1 3/8")	53	10
32193	COIL, IGNITION	11	18	48385A1	FLANGE ASSEMBLY (1 1/2")	53	10
32193	IGNITION COIL	15	19	48386A1	FLANGE ASSEMBLY (1")	53	10
32783	RETAINER (3 WIRE)	17	32	48386A1	FLANGE ASSEMBLY (1")	59	7
32783	RETAINER, HIGH TENSION LEADS (3 WIRE)	13	30	48387A1	FLANGE ASSEMBLY (1 1/8")	53	10
32784	RETAINER (4 WIRE)	17	32	48387A1	FLANGE ASSEMBLY (1 1/8")	59	7
32784	RETAINER, HIGH TENSION LEADS (4 WIRE)	13	30	48388A1	FLANGE ASSEMBLY (1 1/4")	53	10
33149	MOUNT, RUBBER - FLYWHEEL HOUSING	65	2	48388A1	FLANGE ASSEMBLY (1 1/4")	59	7
33321	BRACKET, IGNITION COIL MOUNTING	11	19	48389A1	FLANGE ASSEMBLY (1 3/8")	53	10
34623	OIL PRESSURE SENDER ASSEMBLY (FOR GAUGE)	3	10	48389A1	FLANGE ASSEMBLY (1 3/8")	59	7
34625	WATER TEMPERATURE SENDER ASSEMBLY	3	7	48390A1	FLANGE ASSEMBLY (1 1/2")	53	10
36177	INSULATOR, SOLENOID TO MOUNTING BRACKET	9	8	48390A1	FLANGE ASSEMBLY (1 1/2")	59	7
38463	OIL FILTER (V-DRIVE ONLY)	45	41	48515	1 1	53	21
38559	SWITCH, OIL PRESSURE (FOR IGNITION LIGHT)	3	15	48515	LEVER, SHIFT - TRANSMISSION	59	20
39670A5	SWITCH ASSEMBLY, CUT-OUT - TRANSOM PLATE	71	56	48652	ADAPTOR, SHIFT CABLE TO SHIFT LEVER	59	24
45517A2	ARM ASSEMBLY, SWITCH ACTUATING	71	47	48652	ADAPTOR, SHIFT LEVER TO TRANSMISSION	55	25
45526	CAM, REVERSE LOCK VALVE	69	14	4951	BRACKET, WATER PUMP	37	32
45528A2	COVER ASSEMBLY, REVERSE LOCK VALVE	69	19	53821	BELLOWS, EXHAUST ELBOWSTERN DRIVE	29	19
45709	FOLLOWER, CAM	69	11	54464	BRACKET, ALTERNATOR MOUNTING	5	27
45717	SHIELD, REVERSE INTERLOCK SWITCH	71	42	54478	BRACE, WATER PUMP ADJUSTING	35	24
45915	TERMINAL BLOCK	9	25	54479	BRACE, ALTERNATOR ADJUSTING	3	22
46732A1	LEVER ASSEMBLY, CAM	69	25	54646	BRACKET, MOUNTING - FUEL FILTER	19	9
47492	TUBE, OIL LEVEL GAUGE INBOARD	47	26	54676	RETAINER (2 WIRE)	15	32
47530	HUB, WATER PUMP PULLEY	35	17	54676	RETAINER, HIGH TENSION LEADS (2 WIRE)	13	30
47608	DRIVE PLATE, FLYWHEEL -INBOARD	49	10	54869	BRACKET, MOUNTING- STARTER SOLENOID	9	7
47613	SWITCH, NEUTRAL SAFETY	53	9	54870	END CAP/CONNECTOR, EXHAUST MANIFOLD V - DRIVE	27	10
47613	SWITCH, NEUTRAL SAFETY	59	6	55241	GAUGE, OIL LEVEL (DIPSTICK)	63	--
47805	TRANSMISSION (DIRECT DRIVE)	53	1	55481	BASE, FUEL FILTER	19	7
47806	TRANSMISSION (1.523:1 REDUCTION)	53	1	56103	COVER, TIMING (LEFT HAND CRANKSHAFT ROTATION)	45	22
47807	TRANSMISSION (19.09:1 REDUCTION)	53	1	56109	POINTER, TIMING COVER	45	24
				56129	CHAIN, TIMING	41	24
				56130	PLATE, THRUST - CAMSHAFT (STANDARD)	39	22
				56131	PLATE, THRUST - CAMSHAFT (.002 O.S.)	39	22
				56132	PLATE, THRUST - CAMSHAFT (.004 O.S.)	39	22

PARTS INDEX

Part Number	Description	Pg.	Ref. No.	Part Number	Description	Pg.	Ref. No.
56143	SLINGER, OIL - CRANKSHAFT	51	22	60931	RETAINER, WATER SHUTTER STERN DRIVE	29	23
56144	PULLEY, CRANKSHAFT	51	26	60953	TRANSMISSION, V-DRIVE (DIRECT DRIVE)	59	1
56153	LIFTER, HYDRAULIC - TAPPET	39	18	60954	TRANSMISSION, V-DRIVE (1.99:1) REDUCTION	59	1
56156	COVER, ROCKER (PORT)	39	1	60955	TRANSMISSION, V-DRIVE (249:1) REDUCTION	59	1
56160	RETAINER, VALVE SPRING (INLET AND EXHAUST)	39	13	60956	TRANSMISSION, V-DRIVE (3.14:REDUCTION)	59	1
56166	BALL, ROCKER ARM	39	9	61990	STA-STRAP, HOSE ATTACHING	35	23
56168	ARM, ROCKER	39	10	62092	FUEL PUMP ASSEMBLY	19	1
56171	COVER, ROCKER (STARBOARD)	39	1	62285	BRACKET, MOUNTING (REAR)	63	1
56328	BRACKET, COOLER CLAMPING (SHORT)	31	15	62311	GAUGE, OIL LEVEL (DIPSTICK)-INBOARD	47	32
56329	BRACKET, COOLER CLAMPING (LONG)	31	14	62898	COVER, THERMOSTAT(STERN DRIVE)	29	7
56863	VALVE, HOSE TO ROCKER COVER	19	33	62965	TUBE, OIL LEVEL GAUGE (STERN DRIVE)	47	26
57295A1	FLANGE ASSEMBLY (1 3/4")	59	7	63179	GAUGE, OIL LEVEL (DIPSTICK)-STERN DRIVE	47	32
57296A1	FLANGE ASSEMBLY (2")	59	7	63192	RETAINER	17	33
58258	CLAMP, DISTRIBUTOR TO INTAKE MAANIFOLD	11	15	63192	RETAINER, HIGH TENSION LEADS	13	31
58258	DISTRIBUTOR CLAMP	15	15	63499	BRACKET, MOUNTING - ENGINE	33	1
58265	CLAMPING RING, PULLEY	35	18A	63588A1	THERMOSTAT HOUSING ASSEMBLY	29	1
58265	REINFORCEMENT, WATER PUMP PULLEY	45	35	63815A1	BRACKET, SHIFT CABLE	53	16
59137	THERMOSTAT	29	6	63815A1	BRACKET, SHIFT CABLE	59	12
59155	COVER, WATER PUMP	35	2	63827	HOUSING, FLYWHEEL	31	1
59363A1	CAM SEGMENT ASSEMBLY, WATER PUMP	35	8	63832--1	COOLER, OIL (9")	31	13
59498	COVER, THERMOSTAT(INBOARD)	29	7	63832--2	COOLER, OIL (12") V-DRIVE ONLY	31	13
59501	SHAFT, WATER PUMP	35	14	63833	COVER, FLYWHEEL HOUSING	31	3
59503	WEAR PLATE	35	10	63835	ELBOW, HOSE TO OIL COOLER	53	8
59529	OIL PAN (INBOARD)	47	17	64026A2	DISTRIBUTOR ASSEMBLY, COMPLETE LEFT HAND CRANKSHAFT ROTATION	11	1
59646	CABLE, SOLENOID TO MOTOR (YELLOW-11")	9	18	64026A3	DISTRIBUTOR ASSEMBLY, COMPLETE (RIGHT HAND CRANKSHAFT ROTATI	11	1
59762	PULLEY, WATER PUMP	35	18	64709	BRACKET, MOUNTING- ELECTRICAL	7	4
59823A1	FLYWHEEL HOUSING ASSEMBLY	65	1	64760	COVER, TIMING (RIGHT HAND CRANKSHAFT ROTATION)	45	22
59825	SEPARATOR, EXHAUST STERN DRIVE	29	24	64772	DAMPER ASS'Y CRANKSHAFT (LEFT HAND CRANKSHAFT ROTATION)	51	23
59826A1	ENGINE COUPLING ASSEMBLY STERN DRIVE	49	13	64773	DAMPER ASS'Y CRANKSHAFT (RIGHT HAND CRANKSHAFT ROTATION)	51	23
60207	PLATE, EXHAUST ELBOW TO EXHAUST MANIFOLD	27	20	64784	ROD, PUSH	39	17
602212A1	EXHAUST ELBOW RISER	63	--				
60252	END CAP/CONNECTOR, EXHAUST MANIFOLD	27	10				
60426A1	ELBOW ASS'Y (STERN DRIVE)	27	14				
60427A2	ELBOW ASS'Y(INBOARD)	27	14				
60556A1	SWITCH ASSEMBLY, REVERSE INTERLOCK	69	41				
60565	OIL FILTER	45	41				
60588	TRANSMISSION, V-DRIVE (1.51:1) REDUCTION	59	1				
60930	SHUTTER, WATER EXHAUST SEPARATOR STERN DRIVE	29	22				

PARTS INDEX

Part Number	Description	Pg.	Ref. No.	Part Number	Description	Pg.	Ref. No.
64785	ROTOR AND SHAFT, OIL PUMP	47	14	70981	BELLOWS, EXHAUST ELBOWSTERN DRIVE	29	19
64786	SHAFT ASSEMBLY, OIL PUMP	47	12	71281	PULLEY, WATER PUMP	45	36
64787	OIL PUMP ASSEMBLY	47	1	71683	WATER, PUMP ASSEMBLY	45	30
64788	SCREEN, OIL PUMP (STERN DRIVE)	47	4	71684	ECCENTRIC, CAMSHAFT (FUEL PUMP DRIVE) - 1		
64792	PLUNGER, OIL PUMP RELIEF VALVE	47	7	71777	VALVE, EXHAUST (STANDARD)	41	28
64850	BREAKER ASSEMBLY	11	6	71778	VALVE, EXHAUST (.015 O.S.)	39	16
65152	CAP, OIL FILLER -ROCKER COVER	39	4	71779	VALVE, INLET (STANDARD)	39	16
65197	ELBOW, OIL FILLER CAP	39	6	71779	VALVE, INLET (STANDARD)	39	16
65603A4	EXHAUST MANIFOLD ASSEMBLY, STARBOARD	27	1	72560	VALVE, INLET (.015 O.S.)	39	16
65604A4	EXHAUST MANIFOLD ASSEMBLY, PORT	27	1	72560	VALVE, INLET (.015 O.S.)	39	16
65864	ROTOR	11	3	72562	SLEEVE, VALVE SPRING INLET AND EXHAUST	39	13A
65970	BRACKET, IGNITION COIL	15	20	72563	BAFFLE, INTAKE MANIFOLD	43	17
65970	BRACKET, IGNITION, COIL MOUNTING	11	19	72566	OIL PAN (STERN DRIVE)	47	17
66012	ADAPTOR, CARBURETOR(STERN DRIVE & V-DRIVE)	19	24	72567	INTAKE MANIFOLD	43	15
66057A3	SHIFT BRACKET ASSEMBLY	69	1	73739	ELBOW, EXHAUSTSTERN DRIVE	29	16
66059	BRACKET, MOUNTING - SHIFT	71	58	73798	PULLEY, WATER PUMP	35	18
66166	TRUNNION, ADJUSTING - MOUNTING BRACKET	57	16	75484	INTAKE MANIFOLD	43	15
66166	TRUNNION, ADJUSTING - MOUNTING BRACKET	63	14	75621	VALVE, EXHAUST (STANDARD)	39	16
66169	BRACKET, MOUNTING (FRONT)	63	8	75622	VALVE, EXHAUST (.150 O.S.)	39	16
66169	BRACKET, MOUNTING - ENGINE (FRONT)	57	7	75644	ROD, PUSH	39	17
66178A1	ECCENTRIC, CAMSHAFT (FUEL PUMP DRIVE) - 2	41	28	75974	INTAKE MANIFOLD	43	15
66284	BASE, ENGINE MOUNT	57	18	76351A1	ELBOW ASS'Y (STERN DRIVE)	27	14
66284	BASE, MOUNTING - ENGINE	63	16	N.S.S.	AIR HORN (NOT SOLD SEPARATELY)	23	1
66284	BRACKET, MOUNTING	33	6	N.S.S.	THROTTLE BODY ASSEMBLY (NOT SOLD SEPARATELY)	25	38
66397A1	LEVER ASSEMBLY, SHIFT CONTROL - CAM LEVER	69	33	N.S.S.	VENTURI CLUSTER ASSEMBLY, FLOAT BOWL (NOT SOLD SEPARATELY)	23	18
66417	BRACKET, MOUNTING - TRANSMISSION (REAR)	57	1	10-20031	SCREW, COVER TO FLYWHEEL HOUSING (5/8")	31	4
68651	PLATE, COVER-REAR	65	6	10-20055	SCREW, WIRING HARNESS TO ALTERNATOR (3/8")	3	19
69729	ALTERNATOR ASSEMBLY	3	18	10-20639	SCREW, FUEL FILTER TO MOUNTING BRACKET (1 1/8")	19	10
70125	COVER, CHOKE	25	60	10-20639	SCREW, SHIFT CABLE TO ADAPTOR (1 1/8")	55	32
70126	BRACKET, MOUNTING- THROTTLE CABLE	19	16	10-20639	SCREW, SHIFT CABLE TO ADAPTOR (1 1/8")	61	31
70341	ELBOW, EXHAUSTSTERN DRIVE	29	16	10-20705	SCREW, PULLEY TO WATER PUMP (3/4")	35	19
70574	FLAME ARRESTOR, CARBURETOR	21	37	10-21335	SCREW, CLAMP TO DISTRIBUTOR (7/8")	11	10
70581	WEDGE, CARBURETOR MOUNTING (INBOARD)	19	25	10-21548	SCREW, OIL GAUGE TUBE CLIP TO BRACKET (5/8")	47	29
70649	BRACKET, MOUNTING- HARNESS AND CIRCUIT BREAKER	9	4	10-21625	SCREW, COOLER BRACKET ATTACHING (3/4")	31	16

PARTS INDEX

Part Number	Description	Pg.	Ref. No.	Part Number	Description	Pg.	Ref. No.
10-22469	SCREW, BRACKET TO TRANSMISSION	59	13	10-33056	SCREW, CHOKE PISTON LEVER TO CHOKE HOUSING	25	57
10-22956	SCREW, STARTER SOLENOID TO MOUNTING BRACKET (7/8")	9	11	10-33231	SCREW, TENSION SPRING TO ARM	71	48
10-24234	SCREW, THERMOSTAT COVER TO THERMOSTAT HOUSING (1")	29	9	10-33311	SCREW, BRACKET TO IGNITION COIL (1 1/2")	11	20
10-24637	SCREW, TERMINAL BLOCK (7/8")	71	62	10-33524	SCREW, PULLEY TO WATER PUMP (5/8")	35	19
10-25038	SCREW, END CAP ATTACHING (7/8") V-DRIVE	27	13	10-33586	SCREW, LIFTING EYE ATTACHING (1") STERN DRIVE	43	20
10-25038	SCREW, REVERSE LOCK VALVE TO SHIFT SUPPORT BRACKET (7/8")	69	29	10-34353	SCREW, ADJUSTING BRACE TO OIL PAN (1")	35	25
10-25299	SCREW, FLYWHEEL HOUSING ATTACHING (3/4")	65	8	10-34354	SCREW, WATER PUMP BRACKET CLAMPING (1 1/2")	37	33
10-25503	SCREW, TIMING COVER TO CYLINDER BLOCK (2")	45	28	10-34613	SCREW, GROUND CABLE TO FLYWHEEL (1 3/4")	31	10
10-26632	SCREW, ADJUSTING BRACE TO WATER PUMP (1 1/4")	35	28	10-34613	SCREW, IGNITION COIL ATTACHING (1 3/4") STERN DRIVE	11	25
10-26632	SCREW, IGNITION COIL ATTACHING(1 1/4") INBOARD	11	25	10-35048	SCREW, PULLEY TO DAMPER	51	27
10-26632	SCREW, STARTER MOTOR FLYWHEEL HOUSING(1 1/4")-LOWER	3	2	10-35386	SCREW, END CAP/CONNECTOR TO EXHAUST MANIFOLD (1")	27	13
10-26632	SCREW,IGNITION COIL (1-1/4") INBOARD	15	26	10-35386	SCREW, HOUSING TO INTAKE MANIFOLD (1")	29	3
10-26801	SCREW, LIFTING EYE ATTACHING (3/4")	27	9	10-35386	SCREW, SHIFT BRACKET ATTACHING	71	59
10-28063	SCREW, STARTER SOLENOID TO MOUNTING BRACKET (5/8")	7	7	10-35585	SCREW, BRACKET TO TRANSMISSION (3/4")	53	19
10-28635	SCREW, WATER PUMP COVER ATTACHING (5/8")	35	3	10-36046	SCREW,BREAKER AND CONDENSER ATTACHING (1/4")	11	4
10-28782	SCREW, TIMING COVER TO CYLINDER BLOCK (7/8")	45	27	10-37269	SCREW, BRACKET TO TRANSMISSION (2")	57	2
10-29198	SCREW, ALTERNATOR BRACE TO ALTERNATOR (7/8")	3	23	10-37269	SCREW, CLAMPING - MOUNTING BRACKET (2")	57	13
10-30902	SCREW, SWITCH ASSEMBLY TO TRANSOM PLATE (3/4")	71	57	10-37612	SCREW, ALTERNATOR BRACKET TO TIMING COVER (1 1/4")	5	32
10-33042	SCREW, FAST IDLE CAM TO FLOAT BOWL	25	47	10-37612	SCREW, EXHAUST SEPARATOR TO GIMBAL HOUSING (1 1/4")STERN DRI	29	26
10-33043	SCREW, AIR HORN TO FLOAT BOWL (SHORT)	23	4	10-37629	SCREW, CLAMPING - MOUNTING BRACKET	63	11
10-33045	SCREW, CHOKE VALVE TO CHOKE SHAFT	25	52	10-37892	SCREW, THROTTLE CABLE TO CARBURETOR (1")	21	42
10-33047	SCREW, AIR HORN PUMP LEVER	23	30	10-37909	SCREW, FLANGE TO PROPELLER SHAFT (1 1/8")	53	12
10-33047	SCREW, CHOKE COVER TO CHOKE HOUSING	25	61	10-45218	SCREW, TERMINAL BLOCK (3/8")	71	63
10-33048	SCREW, AIR HORN SCREW	23	5	10-45474	SCREW, WATER PUMP TO TIMING COVER (1 1/6")	45	33
10-33052	SCREW, THROTTLE BODY TO FLOAT BOWL	25	44				

PARTS INDEX

Part Number	Description	Pg.	Ref. No.	Part Number	Description	Pg.	Ref. No.
10-46718	SCREW, WIRING HARNESS PLATE TO MOUNTING BRACKET (3/4")	7	3	10-53167	SCREW, ADAPTOR TO INTAKE MANIFOLD (7/8")	19	27
10-46718	SCREW, WIRING HARNESS PLATE TO MOUNTING BRACKET (3/4")	9	3	10-53300	SCREW, WATER PUMP AND TIMING COVER TO CYLINDER BLOCK (5 1/4")	45	32
10-46736	SCREW, CAM TO CAM LEVER (1/2")	69	15	10-54523	SCREW, HOUSING TO INTAKE MANIFOLD (1") - ALLEN HEAD	29	3
10-47277	SCREW, PULLEY TO WATER PUMP (3/4")	45	37	10-54847	SCREW, FLYWHEEL HOUSING ATTACHING (2")	65	4
10-47462	SCREW, FLYWHEEL HOUSING ATTACHING (1 1/4")	65	4	10-55300	SCREW, ALTERNATOR BRACE TO CYLINDER BLOCK (5 1/4")	5	25
10-47462	SCREW, MOUNTING BRACKET TO TRANSMISSION (1 1/4")	63	2	10-55511	SCREW, TIMING COVER TO CYLINDER BLOCK (1 1/2")	45	26
10-47462	SCREW, RETAINER (1/4")	17	34	10-55714	SCREW, OIL PAN TO CYL. BLOCK (5/16-18 X 7/8")		
10-47462	SCREW, RETAINER ATTACHING (1 1/4")	13	32	10-55715	SCREW, OIL PAN TO CYL. BLOCK (1/4-20 X 7/8")	47	21
10-47462	SCREW, STARTER MOTOR TO FLYWHEEL HOUSING (1 1/4")	3	2	10-56133	SCREW, OIL PAN TO CYL. BLOCK (1/4-20 X 7/8")	47	22
10-47576	SCREW, MOUNTING BRACKET ATTACKET ATTACHING (3/4")	9	5	10-56133	SCREW, PLATE TO OIL PUMP (5/8")	47	10
10-47618	SCREW, CIRCUIT BREAKER TO BRACKET (1")	7	14	10-56133	SCREW, THRUST PLATE TO CYLINDER BLOCK (5/8")	39	23
10-47618	SCREW, CIRCUIT BREAKER TO BRACKET (1")	9	20	10-56138	SCREW, ECDCENTRIC AND SPROCKET TO CAMSHAFT (1 1/2")	41	25
10-47651	SCREW, FLYWHEEL HOUSING TO ENGINE (1 1/2")	31	8	10-56176	SCREW, OIL PUMP TO CYLINDER BLOCK (1 1/4")	47	15
10-47651	SCREW, SHIFT BRACKET TO FLYWHEEL HOUSING (1 1/2")	69	6	10-56858	SCREW, SCREEN TO OIL PUMP (7/8")	47	5
10-47654	SCREW, CLAMP - ADJUSTING TRUNNION (2 3/4")	63	4	10-56882	SCREW, FUEL PUMP TO CYLINDER BLOCK (1 1/2")	19	2
10-47724	SCREW, MOUNTING BRACKET TO CYLINDER BLOCK (3")	63	9	10-56889	SCREW, DRIVE PLATE TO FLYWHEEL- INBOARD	49	11
10-47724	SCREW, TRANSMISSION TO ENGINE (3")	53	2	10-57357	SCREW, CLAMPING - MOUNTING BRACKET (2 1/4")	57	4
10-47724	SCREW, TRANSMISSION TO ENGINE (3")	53	2	10-57841	SCREW, WATER PUMP TO TIMING COVER (2 5/8")	45	34
10-47724	SCREW, TRANSMISSION TO ENGINE (3")	59	2	10-58259	SCREW, DISTRIBUTOR CLAMP	15	16
10-48308	SCREW, ALTERNATOR TO ALTERNATOR BRACKET (3 3/4")	5	28	10-58259	SCREW, DISTRIBUTOR CLAMP ATTACHING (7/8")	11	16
10-48591	SCREW, TERMINAL BLOCK TO MOUNTING BRACEKT	9	26	10-58261	SCREW, INTAKE MANIFOLD TO CYL. HEAD (2")	43	18
10-52409	SCREW, WATER PUMP BRACKET TO ALTERNATOR BRACKET(3 1/4")	37	35	10-58332	SCREW, SHIELD AND SWITCH TO REVERSE LOCK VALVE (3/4")	71	43
10-52743	SCREW, WATER PUMP AND TIMING COVER TO CYLINDER BLOCK (3 3/4")	45	29	10-59589	SCREW, FLYWHEEL HOUSING TO ENGINE (2 1/2")	31	9
				10-59645	SCREW, LIFTING EYE ATTACHING (3/4") STERN DRIVE	43	20
				10-59645	SCREW, LIFTING EYE TO INTAKE MANIFOLD (3/4")	43	20

PARTS INDEX

Part Number	Description	Pg.	Ref. No.	Part Number	Description	Pg.	Ref. No.
10-60168	SCREW, FLANGE TO PROPELLER SHAFT (1 1/2")	53	11	11-20083	NUT, SHIFT LEVER TO TRASSMISSION	55	24
10-60169	SCREW, FLANGE TO PROPELLER SHAFT (3/4")	53	11	11-20083	NUT, STARTER SOLENOID TERMINAL (5/16")	7	12
10-60169	SCREW, FLANGE TO PROPELLER SHAFT (3/4")	59	8	11-20088	NUT, STARTER SOLENOID TERMINAL (5/6"-24)	9	17
10-60170	SCREW, FLANGE TO PROPELLER SHAFT (1")	53	11		NUT, OIL LEVEL GAUGE TUBE CLIP SCREW INBOARD	47	31
10-60170	SCREW, FLANGE TO PROPELLER SHAFT (1")	59	8	11-20110	NUT, COVER SCREW	69	23
10-60171	SCREW, FLANGE TO PROPELLER SHAFT (1 1/4")	53	11	11-20110	NUT, SHIFT CONTROL LEVER TO CAM LEVER STUD	69	32
10-60171	SCREW, FLANGE TO PROPELLER SHAFT (1 1/4")	59	8	11-20361	NUT, SHIFT BRACKET STUD	69	5
10-60706	BOLT, FLYWHEEL TO CRANKSHAFT (1 5/8")	49	9	11-20361	NUT, SHIFT CABLE TO LEVER STUD	69	37
10-60708	SCREW, OIL PAN TO CYL. BLOCK (1/4-20 X 9/16")	47	22	11-20361	NUT, THROTTLE CABEL STUD	19	19
10-60708	SCREW, ROCKER COVER TO CYLINDER HEAD (9/16")	39	3	11-20586	NUT, FLAME ARRESTOR STUD	21	39
10-60709	BOLT,DAMPER TO CRANKSHAFT (1 5/8")	51	24	11-20586	NUT, STARTER SOLENOID SCREW	9	13
10-60710	SCREW, OIL PAN TO CYL. BLOCK (5/16-18 X 7/8")	47	21	11-20640	NUT, STARTER MOTOR TERMINAL (5/16"-24)	3	6
10-60777	SCREW, CAM SEGMENT ATTACHING (1/2")	35	9	11-20645	NUT, CIRCUIT BREAKER TERMINAL	7	13
10-60835	SCREW, EXHAUST SEPARATOR TO GIMBAL HOUSING (5") STERN DRIVE	29	25	11-20645	NUT, CIRCUIT BREAKER TERMINAL	9	--
10-60992	SCREW, EXHAUST ELBOW TO EXHAUST SEPARATOR (1 1/4")	29	17	11-20645	NUT, IGNITION COIL TERMINAL STERN DRIVE	11	24
10-62568	SCREW, TRIM LEADS TO TERMIMAL	9	27	11-20645	NUT, OIL PRESSURE SENDER TERMINAL (#10)	3	12
10-64761	BOLT, CYLINDER HEAD TO CYLINDER BLOCK (2 1/2")	43	10	11-20645	NUT, STARTER SOLENOID TERMIAL (10-32)	7	10
10-64762	BOLT, CYLINDER HEAD TO CYLINDER BLOCK (4 5/16")	43	10	11-20645	NUT, STARTER SOLENOID TERMINAL (10-32)	9	15
10-64770	BOLT, CONNECTING ROD	49	4	11-20645	NUT, WATER TEMPERATURE SENDER TERMINAL (#10)	3	9
10-64782	BOLT, BEARING CAP TO CYLINDER BLOCK (3 1/2")	43	3	11-20645	NUT,OIL PRESSURE SWITCH TERMINAL (#10)	3	17
10-66652	SCREW, BRACKET	15	21	11-20739	NUT, JAM - ENGINE MOUNT BASE	57	19
10-66652	SCREW, BRACKET TO IGNITION COIL (1 1/2")	11	20	11-20739	NUT, JAM - ENGINE MOUNT BASE	63	18
10-68743	SCREW, ENGINE LOCATING	33	2	11-20739	NUT, JAM-MOUNTING BRACKET	33	7
10-68743	SCREW, ENGINE LOCATING (1 1/4")	57	11	11-21908	NUT, LIFTING EYE SCREW STERN DRIVE	43	21A
10-98556	SCREW, IGNITION COIL (1-3/4") STERN DRIVE	15	26	11-21908	NUT, STARTER MOTOR TERMINAL (5/16"-18)	3	6
11-20083	NUT, SHIFT LEVER TO TRANSMISSION	59	23	11-21908	NUT, STARTER SOLENOID TERMINAL (5/6"-18)	9	17
				11-22024	NUT, ENGINE LOCATING SCREW	33	3
				11-22024	NUT, ENGINE LOCATING SCREW	57	12
				11-22024	NUT, FLANGE SCREW	59	11
				11-22024	NUT, TRANSMISSION STUD	53	5

PARTS INDEX

Part Number	Description	Pg.	Ref. No.	Part Number	Description	Pg.	Ref. No.
11-23161	NUT, WATER PUMP BRACKET SCREW	37	37	11-53301	NUT, OIL PUMP SCREEN STUD	43	6
11-24883	NUT, TRANSMISSION FLANGE SCREW	53	14	11-56167	NUT, ROCKER ARM STUD	39	8
11-26419	NUT, STARTER TERMINAL (#8)	3	6	11-56407	NUT, ENGINE COUPLING ATTACHING STUD STERN DRIVE	49	16
11-28941	NUT, JAM-FLAME ARRESTOR MOUNTING STUD (BOTTOM)	21	36	11-63341	TEE NUT, SHIFT CABLE STUD	69	40
11-29553	NUT, CLAMP ADJUSTING TRUNNION SCREW	63	7	11-64769	NUT, CONNECTING ROD BOLT	49	5
11-29553	NUT, CLAMPING SCREW	57	15	11-68219	NUT, IGNITION COIL TERMINAL	15	25
11-29553	NUT, CLAMPING SCREW	57	6	12-20084	WASHER, ADAPTOR SCREW	19	28
11-29553	NUT, SCREW CLAMPING	63	13	12-20084	WASHER, CARBURETOR STUD	19	22
11-30506	NUT, COOLER BRACKET ATTACHING SCREW	31	17	12-20084	WASHER, FUEL FILTER SCREW	19	11
11-32219	NUT, ADJUSTING BRACE SCREW	35	31	12-20084	WASHER, THERMOSTAT HOUSING SCREW	29	4
11-32219	NUT, GROUND CABLE TO FLYWHEEL SCREW	31	12	12-20128	WASHER, THROTTLE CABLE SCREW	21	44
11-32219	NUT, STARTER TERMINAL (3/8)	3	4	12-20533	WASHER, SHIFT CABLE ADAPTOR STUD	55	27
11-32219	NUT, STARTER MOTOR STUD	3	5A	12-20533	WASHER, SHIFT CABLE ADAPTOR STUD	59	26
11-34933	BRACKET, MOUNTING BRACKET STUD	33	5	12-20553	WASHER, ADJUSTING BRACE SCREW	35	29
11-34933	NUT, FRONT MOUNTING BRACKET	57	10	12-20553	WASHER, ALTERNATOR BRACKET SCREW	5	29
11-35814	NUT, FUEL FILTER SCREW	19	12	12-20553	WASHER, IGNITION COIL ATTACHING SCREW INBOARD	11	26
11-45812	NUT, THROTTLE CABLE SCREW	21	46	12-20553	WASHER, IGNITION COIL ATTACHING SCREW STERN DRIVE	11	26
11-46438	NUT, CIRCUIT BREAKER SCREW	7	18	12-20553	WASHER, IGNITION COIL SCREW STERN DRIVE	15	27
11-46438	NUT, CIRCUIT BREAKER SCREW	9	24	12-20553	WASHER, IGNITION COIL SCREW INBOARD	15	27
11-46438	NUT, SHIFT CABLE ADAPTOR STUD (10-32)	55	31	12-20722	WASHER, SHIFT LEVER TO TRANSMISSION	59	21
11-46438	NUT, SHIFT CABLE ADAPTOR STUD (10-32)	61	30	12-20878	WASHER, OIL PRESSURE SWITCH TERMINAL(#10)	3	16
11-46438	NUT, SHIFT CABLE TO BRACKET STUB (10-32)	53	18	12-21273	WASHER, CAM LEVER STUD	69	31
11-46438	NUT, SHIFT CABLE TO BRACKET STUD (10-32)	59	16	12-21631	WASHER, THROTTLE CABLE STUD	19	18
11-46793	NUT, CARBURETOR STUD	19	23	12-22753	WASHER, SHIFT CABLE SCREW	55	33
11-46793	NUT, SHIFT CABLE SCREW (5/16-24)	55	34	12-22753	WASHER, SHIFT CABLE SCREW	61	32
11-46793	NUT, SHIFT CABLE SCREW (5/16-24)	61	33	12-22937	WASHER, FLAME ARRESTOR	21	38
11-46887	NUT, SHIFT CABLE ADAPTOR STUD (1/4-28)	55	28	12-22937	WASHER, STARTER SOLENOID SCREW	9	12
11-46887	NUT, SHIFT CABLE ADAPTOR STUD (1/4-28)	59	27	12-26168	WASHER, ALTERNATOR BRACE SCREW	3	24
11-47626	NUT, OIL LEVEL GARGE TUBE INBOARD	47	25	12-26825	WASHER, SWITCH ACTUATING ARME STUD	71	54
11-49838	NUT, EXHAUST ELBOW TO EXHAUST MANIFOLD	27	22	12-26825	WASHER, TENSION SPRING SCREW	71	49
11-49838	NUT, EXHAUST MANIFOLD STUD	27	6				
11-49838	NUT, RISER TO EXHAUST ELBOW STUD	63	--				

PARTS INDEX

Part Number	Description	Pg.	Ref. No.	Part Number	Description	Pg.	Ref. No.
12-26907	WASHER, THROTTLE CABLE SCREW	21	43	13-26992	LOCKWASHER, PLATE SCREW	47	11
12-27025	WASHER, FLYWHEEL HOUSING TO ENGINE SCREW	31	9A	13-26992	LOCKWASHER, STARTER SOLENOID SCREW	7	8
12-30164	WASHER, IGNITION COIL TERMINAL	11	22	13-26993	LOCKWASHER, OIL PAN SCREW (5/16") INBOARD	47	23
12-30164	WASHER, IGNITION COIL TERMINAL	15	23	13-26993	LOCKWASHER, SHIFT LEVER OT TRANSMISSION	55	23
12-30164	WASHER, WIRING HARNESS SCREW	3	21	13-26993	LOCKWASHER, SHIFT LEVER TO TRANSMISSION	59	22
12-32648	WASHER, ENGINE COUPLING ATTACHING STUDS STERN DRIVE	49	15	13-26993	LOCKWASHER, STARTER MOTOR TERMINAL	3	5
12-34437	WASHER, LIFTING EYE SCREW INBOARD	45	21	13-26993	LOCKWASHER, STARTER SOLENOID TERMINAL (5/16")	7	11
12-34567	WASHER, RETAINER SCREW	13	33	13-26993	LOCKWASHER, STARTER SOLENOID TERMINAL (5/6")	9	16
12-34567	WASHER, RETAINER SCREW	17	35	13-26993	LOCKWASHER, DRIVE PLATE SCREW -INBOARD	49	12
12-34714	WASHER, ADJUSTING BRACE SCREW	35	27	13-26995	LOCKWASHER, CHOKE COVER SCREW	25	62
12-37407	WASHER, SHIFT CABLE ADAPTOR STUD	55	30	13-26995	LOCKWASHER, STARTER TERMINAL (#8)	3	5
12-37407	WASHER, SHIFT CABLE TO BRACKET STUD	53	17	13-26996	LOCKWASHER, AIR HORN SCREW	23	6
12-39143	WASHER, SHIFT CABLE TO LEVER STUD	69	4	13-26996	LOCKWASHER, CAM SCREW	69	16
12-39143	WASHER, SHIFT LEVER STUD	69	36	13-26996	LOCKWASHER, CIRCUIT BREAKER TERMINAL	7	13
12-45713	WASHER, RETAINING - BALL TO VALVE COVER	69	17	13-26996	LOCKWASHER, CIRCUIT BREAKER TERMINAL	9	--
12-47960	WASHER, CIRCUIT BREAKER SCREW	7	17	13-26996	LOCKWASHER, DISTRIBUTOR CLAMP SCREW	11	11
12-47960	WASHER, CIRCUIT BREAKER SCREW	9	22	13-26996	LOCKWASHER, IGNITION COIL TERMINAL	11	23
12-56136	WASHER, ECCENTRIC AND SPROCKET SCREW	41	26	13-26996	LOCKWASHER, IGNITION COIL TERMINAL	15	24
12-56148	WASHER, DAMPER TO CRANKSHAFT BOLT	51	25	13-26996	LOCKWASHER, OIL PRESSURE SENDER TERMINAL (#10)	3	11
12-56881	WASHER, SHIFT CABLE ADAPTOR STUD	61	29	13-26996	LOCKWASHER, STARTER SOLENOID TERMINAL (#10)	7	9
12-56881	WASHER, SHIFT CABLE TO BRACKET STUD	59	15	13-26996	LOCKWASHER, STARTER SOLENOID TERMINAL (#10)	9	14
12-58790	WASHER, OIL PUMP SCREEN STUD	43	5	13-26996	LOCKWASHER, TERMINAL BLOCK SCREW	71	64
12-59570	WASHER, VALVE COVER	69	21	13-26996	LOCKWASHER, WIRING HARNESS SCREW	3	20
13-25906	WASHER, WAVE - REVERSE LOCK VALVE	69	12	13-26996	LOCKWASHER, WATER TEMPERATURE SENDER TERMINAL (#10)	3	8
13-26992	LOCKWASHER, BRACKET SCREW	53	20	13-29402	WAVE WASHER, SHIFT CABLE ADAPTOR STUD	55	29
13-26992	LOCKWASHER, BRACKET TO TRANSMISSION SCREW	59	14				
13-26992	LOCKWASHER, COVER SCREW	31	5				
13-26992	LOCKWASHER, OIL LEVEL GAUGE TUBE CLIP SCREW INBOARD	47	30				

PARTS INDEX

Part Number	Description	Pg.	Ref. No.	Part Number	Description	Pg.	Ref. No.
13-30381	LOCKWASHER, FLYWHEEL HOUSING SCREW - SPECIAL (7/16")	65	5	13-37272	LOCKWASHER, FLYWHEEL HOUSING SCREW	31	8A
13-32993	LOCKWASHER, CLAMPING SCREW	57	14	13-37459	LOCKWASHER, STARTER MOTOR SCREW AND STUD	3	3
13-32993	LOCKWASHER, BRACKET SCREW	57	3	13-37459	LOCKWASHER, ALTERNATOR BRACKET SCREW	5	33
13-32993	LOCKWASHER, CLAMP ADJUSTING TRUNNION SCREW	63	5	13-37459	LOCKWASHER, EXHAUST TO EXHAUST MANIFOLD STUD	27	21
13-32993	LOCKWASHER, CLAMPING - MOUNTING BRACKET	63	12	13-37459	LOCKWASHER, GROUND CABLE TO FLYWHEEL SCREW	31	11
13-32993	LOCKWASHER, CLAMPING SCREW	57	5	13-37459	LOCKWASHER, RISER TO EXHAUST ELBOW STUD	63	--
13-32993	LOCKWASHER, FLANGE SCREW	59	10	13-39107	LOCKWASHER, ALTERNATOR BRACE SCREW	5	26
13-32993	LOCKWASHER, FLYWHEEL HOUSING SCREW (7/16")	65	5	13-39107	LOCKWASHER, FLYWHEEL HOUSING SCREW (5/16")	65	9
13-32993	LOCKWASHER, FRONT MOUNTING BRACKET	57	9	13-39107	LOCKWASHER, LIFTING EYE SCREW STERN DRIVE	43	21
13-32993	LOCKWASHER, MOUNTING BRACKET SCREW	63	10	13-39107	LOCKWASHER, MOUNTING BRACKET SCREW	9	6
13-32993	LOCKWASHER, MOUNTING BRACKET SCREW	63	3	13-39107	LOCKWASHER, PULLEY SCREW	45	38
13-32993	LOCKWASHER, SHIFT BRACKET ATTACHING SCREW	69	7	13-39107	LOCKWASHER, REVERSE LOCK VALVE SCREW	69	30
13-32993	LOCKWASHER, STARTER MOTOR SCREW	3	3	13-39107	LOCKWASHER, SHIFT BRACKET ATTACHING SCREW	71	60
13-32993	LOCKWASHER, TRANSMISSION SCREW	59	3	13-39107	LOCKWASHER, THERMOSTAT COVER SCREW	29	10
13-32993	LOCKWASHER, TRANSMISSION SCREW AND STUD	53	4	13-39107	LOCKWASHER, WATER PULLEY SCREW	35	20
13-33028	LOCKWASHER, THROTTLE BODY SCREW	25	45	13-56177	LOCKWASHER, OIL PUMP SCREW	47	16
13-34058	LOCKWASHER, BRACKET SCREW	15	22	13-58260	LOCKWASHER, CLAMP SCREW	15	17
13-35048	LOCKWASHER, ADJUSTING BRACE SCREW	35	26	13-58260	LOCKWASHER, DISTRIBUTOR CLAMP ATTACHING SCREW	11	16A
13-35048	LOCKWASHER, ADJUSTING BRACE SCREW	35	30	13-68102	LOCKWASHER, MOUNTING BRACKET	33	8
13-35048	LOCKWASHER, BRACKET SCREW	11	21	13-68102	LOCKWASHER, MOUNTING BRACKET	57	17
13-35048	LOCKWASHER, EXHAUST ELBOW SCREW STERN DRIVE	29	18	13-68102	LOCKWASHER, MOUNTING BRACKET	63	17
13-35048	LOCKWASHER, EXHAUST SEPARATOR SCREW STERN DRIVE	29	27	14-66658	TAB WASHER, BASE NUT	57	20
13-35048	LOCKWASHER, PULLEY SCREW	51	28	14-66658	TAB, WASHER, BASE NUT	63	15
13-35048	LOCKWASHER, TRANSMISSION SCREW	53	13	16-38525	STUB, CABLE TO BRACKET (1 5/8")	19	17
13-35048	LOCKWASHER, WATER PUMP BRACKET CLAMPING SCREW	37	34	16-45715	STUD, SHIFT CONTROL LEVER TO CAM LEVER (23/32")	69	26
13-35048	WASHER, EXHAUST MANIFOLD STUD	27	5	16-47360	STUD, SHIFT CABLE TO BRACKET (1 3/4")	69	2

PARTS INDEX

Part Number	Description	Pg.	Ref. No.	Part Number	Description	Pg.	Ref. No.
16-48680	STUD, SHIFT CABLE ADAPTOR TO SHIFT LEVER (1 1/4")	59	25	17-33037	PIN, HINGE - FLOAT TO AIR HORN	23	13
16-49545	STUD, EXHAUST ELBOW TO RISER (1 3/4")	63	--	17-56139	PIN, REAR BEARING CAP - REAR SEAL RETAINING	43	11
16-49545	STUD, EXHAUST MANIFOLD TO CYL. HEAD (1 3/4")	27	4	17-58021	PIN, DRIVE GEAR	11	13
16-49545	STUD, EXHAUST MANIFOLD TO EXHAUST ELBOW (1 3/4")	27	2	17-60670	PIN, DOWEL - CYL. BLOCK TGO CYL. HEAD	43	12
16-56164	STUD, ROCKER ARM - CYLINDER HEAD (STANDARD)	39	11	17-66180	PIN DOWEL - CAMSHAFT	41	29
16-57921	STUD, TRANSMISSION TO ENGINE (4")	53	3	17-66180	PIN, DOWEL - CAMSHAFT	41	29
16-58242	STUD, ROCKER ARM - CYLINDER HEAD (.006 O.S.)	39	11	18-32857	COTTER PIN, SHIFT ACTUATING CABLE TO ACTUATING ARM	71	51
16-58243	STUD, ROCKER ARM - CYLINDER HEAD (.015 O.S.)	39	11	19-33041	WELCH PLUG, CHOKE HOUSING	25	58
16-60607	STUD, MANIFOLD TO RISER (2 1/4")	63	--	19-56102	PLUG, EXPANSION - CYLINDER BLOCK	43	2
16-60993	STUD, ENGINE COUPLING ATTACHING STERN DRIVE	49	14	19-56102	PLUG, EXPANSION - CYLINDER HEAD	43	8
16-62299	STUD, BRG. CAP TO CYL. BLOCK (OIL PAN SCREEN)	43	4	19-56128	PLUG, EXPANSION - CAMSHAFT BEARING HOLE	39	21
16-63081	STUD, SHIFT CABLE TO LEVER	69	34	19-59504	PLUG, IMPELLER	35	5
16-63335	STUD, SHIFT CABLE TO SHIFT LEVER	69	38	19-60667	PLUG, CYLINDER BLOCK (1/4")	43	-
16-64066	STUD, STARTER MOTOR TO FLYWHEEL HOUSING-UPPER	3	2	19-60668	PLUG, EXPANSION - CYLINDER BLOCK (3/4")	43	-
16-65737	STUD, BRACKET TO ENGINE (2 5/8")	33	4	19-60669	PLUG, EXPANSION - CYLINDER BLOCK (1/2")	43	-
16-65737	STUD, FRONT MOUNTING BRACKET (2 5/8")	57	8	19-60722	PLUG, INTAKE MANIFOLD (3/4")	43	15
16-65743	STUD, BRACKET TO ENGINE (3")	33	4	19-64759	PLUG, DRAIN -CYOLINDER BLOCKD (1/4")	43	-
16-65743	STUD, FRONT MOUNTING BRACKET STARBOARD REAR (3")	57	8	19-64793	PLUG, INTAKE MANIFOLD (3/8")	43	15
16-65947	STUD, EXHAUST MANIFOLD TO CYL. HEAD (3 1/16")	27	4	19-64794	PLUG, INTAKE MANIFOLD (1/2")	43	15
16-66373	STUD, SWITCH ACTUATING ARM TO SHIFT BRACKET (2 5/16")	69	3	19-65117	PLATE, OIL PUMP	47	8
16-70236	STUD, CARBURETOR MOUNTING (1 9/16")	63	--	19-73030	PLUG, EXH. EMISSION HOLE	43	8
16-70236	STUD, CARBURETOR TO INTAKE MANIFOLD(1 9/16")	19	21	22-21290	PLUG, PIPE - REVERSE LOCK VALVE	69	24
16-70237	STUD, CARBURETOR MOUNTING (2 11/16")	63	--	22-32778	NIPPLE, SIGHT GLASS TO FUEL PUMP	19	4
16-70237	STUD, CARBURETOR TO MANIFOLD (2 11/16")	19	21	22-32802	PLUG, EXHAUST ELBOW RISER	63	--
				22-32802	PLUG, PIPE - EHAUST MANIFOLD	27	3
				22-32802	PLUG, PIPE - EXHAUST ELBOW	27	17
				22-32802	PLUG, WATER PUMP BODY	37	39
				22-33198	PLUG, EXHAUST ELBOW	27	15
				22-33821	FITTING, FUEL LINE TO FUEL PUMP, FUEL FILTER AND CARBURETOR	19	13
				22-36305	ELBOW, EXHAUST RISER	63	--
				22-36373	PLUG, PIPE - OIL PAN DRAIN (INBOARD)	47	19
				22-36373	PLUG, PIPE - WATER PUMP (3/8-14)	45	39

PARTS INDEX

Part Number	Description	Pg.	Ref. No.	Part Number	Description	Pg.	Ref. No.
22-45084	FITTING, EXHAUST ELBOW	27	18	23-60339	SPACER, IGNITION COIL		
22-45794	ELBOW, HYDRAULIC TRIM HOSE TO REVERSE LOCK VALVE	69	9	23-61998	SCREW STERN DRIVE	15	28
22-47625	ELBOW, OIL LEVEL GAUGE TUBE TO OIL PAN INBOARD	47	24	23-61998	SPACER, CIRCUIT BREAKER GROMMET	7	16
22-47629	ELBOW, HOSE TO TRANSMISSION (90)	53	6	23-61998	SPACER, CIRCUIT BREAKER GROMMET	9	23
22-47629	ELBOW, HOSE TO TRANSMISSION (90)	59	17	23-63764	BUSHING, ALTERNATOR BRACKET SCREW	5	30
22-48167	CONNECTOR, ELBOW	69	10	23-64764	BEARING UNIT, CONNECTING ROD (STANDARD)	49	6
22-49718	NUT, TUBING ATTACHING	69	28	23-64765	BEARING UNIT, CONNECTING ROD (.001 U.S.)	49	6
22-54522	NIPPLE, OIL PRESSURE SENDER	3	13	23-64766	BEARING UNIT, CONNECTING ROD (.002 U.S.)	49	6
22-56770	COUPLING, OIL PRESSURE SENDER	3	14	23-64767	BEARING UNIT, CONNECTING ROD (.010 U.S.)	49	6
22-56772	PLUG, CHOKE HOUSING	25	59	23-64768	BEARING UNIT, CONNECTING ROD (.020 U.S.)	49	6
22-56876	CONNECTOR, OIL FILTER TO CYLINDER BLOCK	45	42	23-64774	BEARING, CRANKSHAFT MAIN (STANDARD)	49	18
22-60720	PLUG, PIPE - OIL PAN DRAIN (STERN DRIVE)	47	19	23-64775	BEARING, CRANKSHAFT MAIN (.002 U.S.)	51	18
22-63028	PLUG, DRAIN -CYOLINDER BLOCKD (3/4")	43	-	23-64776	BEARING, CRANKSHAFT MAIN (.010 U.S.)	51	18
22-63824	ELBOW, HOSE TO TRANSMISSION (90)	53	15	23-64777	BEARING, CRANKSHAFT MAIN (.020 U.S.)	51	18
22-63824	ELBOW, HOSE TO TRANSMISSION (90)	59	4	23-64778	BEARING, CRANKSHAFT MAIN - CENTER (STANDARD)	51	19
22-64485	FITTING, TEE-OIL PRESSURE SENDER	3	14	23-64779	BEARING, CRANKSHAFT MAIN - CENTER (.002 U.S.)	51	19
22-64970	ADAPTOR, WATER DRAIN PETCOCK (STARBOARD)	43	-	23-64780	BEARING, CRANKSHAFT MAIN - CENTER (.010 U.S.)	51	19
22-70146	CONNECTOR, CARBURETOR (INBOARD)	19	30	23-64781	BEARING, CRANKSHAFT MAIN - CENTER (.020 U.S.)	51	19
22-71969	CONNECTOR, CARBURETOR (90)-STERN DRIVE	19	30	23-90523	SPACER, IGNITION COIL ATTACHING SCREW INBOARD	15	28
23-31866	SPACER, SHIFT LEVER STUD	69	35	24-33050	SPRING, IDLE ADJUSTING NEEDLE	25	40
23-33186	BUSHING, WATER PUMP BRACKET SCREW	37	36	24-45599	SPRING, TENSION - SWITCH ACTUATING ARM	71	50
23-36534	SPACER, IGNITION COIL ATTACHING SCREW INBOARD	11	27	24-48143	SPRING, FUEL INLET-AIR HORN	23	9
23-37981	SPACER, SWITCH, ACTUATING ARM TO TRANSOM PLATE	71	53	24-56159	SPRING, VALVE	39	15
23-45600	SLEEVE, SWITCH ACTUATING ARM STUD	71	52	24-56159	SPRING, VALVE - INTAKE	39	15
23-46742	SPACER, RUBBER MOUNT- FLYWHEEL HOUSING	65	3	24-64791	SPRING, OIL PUMP RELIEF VALVE	47	6
23-47511	SLEEVE, WATER PUMP COVER	35	11	24-75619	SPRING, VALVE - EXHAUST	39	15
23-54476	SLEEVE, THERMOSTAT HOUSING	29	2	25-35029	"O" RING, EXHAUST ELBOW TO TRANSOM PLATE	29	21
23-56124	BEARING SET, CAMSHAFT	39	20				
23-57938	BUSHING, THROTTLE CABLE SCREW	21	45				

PARTS INDEX

Part Number	Description	Pg.	Ref. No.	Part Number	Description	Pg.	Ref. No.
25-45711	"O" RING, VALVE COVER ..	69	20	27-65114A1	GASKET SET, OIL PAN	47	18
25-56877	GROMMET, ROCKER COVER TO HOSE	19	34	27-70142	GASKET, CARBURETOR ADAPTOR	19	29
25-59712	"O" RING, WATER PUMP COVER	35	4	27-70143	GASKET, CARBURETOR ...	19	26
25-61999	GROMMET, CIRCUIT BREAKER SCREW	7	15	27-70143	GASKET, CARBURETOR ...	63	--
25-61999	GROMMET, CIRCUIT BREAKER SCREW	9	21	27-73104	GASKET SETL INT. MANIFOLD	43	16
25-65196	GROMMET, OIL FILLER CAP	39	5	27-73866	GASKET, EXHAUST MANIFOLD TO CYLINDER HEAD	27	7
25-75400	GROMMET, ROCKER COVER TO HOSE	19	34	27-75483	GASKET SET, OIL PAN	47	18
26-23300	OIL SEAL, WATER PUMP SHAFT	35	12	27-75645	GASKET SETL INT. MANIFOLD	43	16
26-56866	OIL SEAL, TIMING COVER (LEFT HAND CRANKSHAFT ROTATION)	45	25	27-75646	GASKET, CYLINDER HEAD .	43	9
26-56867	OIL SEAL, TIMING COVER (RIGHT HAND CRANKSHAFT ROTATION)	45	25	28-56162	KEY, VALVE STEM (2 PER VALVE)	39	12
26-58094	SEAL, VALVE (.015 O.S.) ...	39	14	28-56662	KEY, IMPELLER DRIVE	35	7
26-58094	SEAL, VALVE (.015 O.S.) ...	39	14	28-64771	KEY, TIMING SPROCKET TO CRANKSHAFT (SERIAL #4500860 AND BELO	51	20
26-59564	OIL SEAL, WATER PUMP SHAFT	35	16	28-75618	KEY, TIMING SPROCKET TO CRANKSHAFT	51	20
26-64796	OIL SEAL, CRANDKSHAFT REAR (LEFT HAND CRANKSHAFT ROTATION)	49	17	28-75618	SPROCKET, CRANKSHAFT TIMING (21 TEETH)	51	21
26-64797	OIL SEAL, CRANDKSHAFT REAR (RIGHT HAND CRANKSHAFT ROTATION)	49	17	30-20861	BALL BEARING, WATER PUMP SHAFT	35	13
26-72564	SEAL, VALVE (STANDARD) .	39	14	30-45712	,BALL, VALVE COVER	69	18
26-72564	SEAL, VALVE (STANDARD) .	39	14	30-72961	BALL BEARING, WATER PUMP SHAFT	35	13
26-72785	OIL SEAL, WATE4R PUMP SHAFT	35	16	32-47516--6	HOSE, TRANSMISSION TO OIL COOLER (30")	53	7
27-34213	GASKET, FUEL PUMP	19	3	32-47516--9	HOSE, OIL COOLER TO TRANSMISSION (37") ...	59	5
27-48043	GASKET, END CAP/CONNECTOR TO EXH MANIFOLD V-DRIVE	27	11	32-47516-10	HOSE, TRASMISSION TO OIL COOLER (33")	59	18
27-48043	GASKET, END CAP/CONNECTOR TO EXH. MANIFOLD	27	11	32-47516-11	HOSE, TRANSMISSION TO OIL COOLER (28")	53	7
27-52076	GASKET, ELBOW TO RISER	63	--	32-47516-12	HOSE, TRANSMISSION TO OIL COOLER (20")	53	7
27-52076	GASKET, EXHAUST ELBOW TO EXHAUST MANIFOLD	27	19	32-52951A1	TUBING ASSEMBLY, REVERSE LOCK VALVE TO TRIM SENDER	69	27
27-54506	GASKET, THERMOSTAT HOUSING	29	5	32-54570	HOSE, THERMOSTAT HOUSING TO WATER PUMP	29	11
27-56108	GASKET, TIMING COVER ..	45	23	32-58616A1	TUBE, WATER SEPARATION - EXHAUST ELBOW	27	16
27-56152	SEAL, REAR COVER PLATE	65	7	32-60202	HOSE, THERMOSTAT COVER TO FRONT END CAP STARBOARD	67	2
27-56173	GASKET, ROCKER COVER .	39	2	32-61383	HOSE, THERMOSTAT HOUSING TO REAR END CAP STARBOARD	67	3
27-56859	GASKET, OIL PUMP SCREEN	47	3	32-61384	HOSE, THERMOSTAT COVER TO FRONT END CAP PORT	67	6
27-56880	GASKET, WATER PUMP ...	45	31	32-61385	HOSE, THERMOSTAT COVER TO FRONT END CAP PORT	67	5
27-56888A3	GASKET SETL INT. MANIFOLD	43	16				
27-58025	"O" RING, DISTRIBUTOR ...	11	14				
27-60208	GASKET, THERMOSTAT COVER	29	8				
27-60721	GASKET, OIL DRAIN PLUG .	47	20				
27-64763	GASKET, CYLINDER HEAD .	43	9				
27-64789	GASKET, OIL PUMP	47	2				

PARTS INDEX

Part Number	Description	Pg.	Ref. No.	Part Number	Description	Pg.	Ref. No.
32-61387	HOSE, THERMOSTAT COVER TO EXHAUST ELBOW PORT	67	4	50-69865	STARTER MOTOR ASSEMBLY(LEFT HAND CRANKSHAFT ROTATION)-SEE NO	3	1
32-62010	HOSE, PUMP TO OIL COOLER	35	21	53-23720	RING, SNAP - BALL BEARING RETAINING	35	15
32-62131A1	OIL PICKUP ASSEMBLY (INBOARD)	47	4	53-56860	RING, RETAINING - OIL PUMP SHAFT	47	13
32-63002--1	HOSE, VENT-FLAME ARRESTOR	21	40	54-28938	CLIP, OIL LEVEL GAUGE TUBE INBOARD	47	28
32-63576A1	HOSE ASSEMBLY, THERMOSTAT HOUSING TO TRANSOM STERN DRIVE	29	13	54-31765	CLAMP, LARGE STERN DRIVE	29	20
32-64790	HOSE, CARBURETOR	19	31	54-32523	CLAMP, HOSE ATTACHING	19	32
32-64815	HOSE, THERMOSTAT HOUSING TO OIL COOLER(INBOARD)	29	13	54-32780	CLAMP, HOSE ATTACHING	67	8
32-64967	FUEL LINE, FUEL FILTER TO FUEL PUMP (STEEL TUBING)	19	14	54-32780	CLAMP, HOSE ATTACHING STERN DRIVE	29	15
32-71363	FUEL LINE, PUMP TO CARBURETOR (STERN DRIVE & V-DRIVE)	19	15	54-32781	CLAMP, WATER PUMP HOSE	35	22
32-71364	FUEL LINE, PUMP TO CARB. (STEEL)-INBOARD	19	15	54-32781	CLAMP, HOSE TO THERMOSTAT HOUSING AND WATER PUMP	29	12
33-61783	SPARK PLUG (AC#C83T)	13	29	54-33036	RETAINER, CHOKE COVER SCREW	25	64
33-61783	SPARK PLUG(18MM)	15	31	54-33683	CLAMP, BELLOW TO EXHAUST ELBOW STERN DRIVE	29	20
33-76154	SPARK PLUG (14MM)	15	31	54-39108	CLIP, IDLE STOP SCREW	25	42
35-53336	FILTER, FUEL INLET-AIR HORN	23	8	54-47528	CLAMP, ADJUSTING TRUNNION SCREW	63	6
35-60047A1	SCREEN, FLAME ARRESTOR	11	14A	54-54509	EYE, LIFTING - EXHAUST MANIFOLD	27	8
35-60494	FUEL FILTER	19	6	54-54509	LIFTING EYE, INTAKE MANIFOLD INBOARD	43	19
37-54675	DECAL. DISTRIBUTOR CAP	11	-	54-54555	LIFTING EYE, INTAKE MANIFOLD STERN DRIVE	43	19
37-77250	DECAL, ROCKER COVER -"H.P."	39	6	54-60539	CLAMP, HOSE ATTACHING	67	7
39-56114	RING ASSEMBLY, PISTON (STANDARD)	49	2	54-61001	CLIP, WIRING HARNESS TO ROCKER COVER	7	5
39-56115	RING ASSEMBLY, PISTON (.020 O.S.)	49	2	54-61001	CLIP, WIRING HARNESS TO ROCKER COVER	9	9
43-64907	GEAR, DRIVE (LEFT HAND CRANKSHAFT ROTATION)	11	12	54-64488	CLAMP, HOSE ATTACHING STERN DRIVE	29	14
43-64908	GEAR, DRIVE (RIGHT HAND CRANKSHAFT ROTATION)	11	12	54-64489	CLAMP, HOSE ATTACHING STERN DRIVE	29	14
43-66177	SPROCKET, CAMSHAFT TIMING (42 TEETH)	41	27	54-64648	CLAMP, VENT HOSE	21	41
43-66177A1	SPROCKET ASSEMBLY, CAMSHAFT TIMING (42 TEETH)	41	27	54-64855	"J" CLAMP, REVERSE INTERLOCK SWITCH LEAD	71	44
46-63450A2	WATER PUMP ASSEMBLY, COMPLETE	35	1	54-65308	CLIP, HOSE TO MANIFOLD	27	12
46-73823A7	WATER PUMP ASSEMBLY, COMPLETE	35	1	54-65783A2	CLAMP ASSEMBLY, DISTRIBUTOR CAP ATTACHING	11	8
47-59362A1	IMPELLER ASSEMBLY	35	6	57-49213	BELT, DRIVE - ALTERNATOR AND WATER PUMP	45	40
50-65784A1	STARTER MOTOR ASSEMBLY(LEFT HAND CRANKSHAFT ROTATION)	3	1	57-60327	BELT, WATER PUMP	37	38
50-65785A1	STARTER MOTOR ASSEMBLY (RIGHT HAND CRANKSHAFT ROTATION)	3	1	57-74271	BELT, WATER PUMP	37	38
				81-64851	CONDENSER	11	5
				84-43376A9	LEAD ASSEMBLY, HIGH TENSION	15	29

PARTS INDEX

Part Number	Description	Pg.	Ref. No.	Part Number	Description	Pg.	Ref. No.
84-64635	WIRING HARNESS	7	1	392-9088	PRIMARY LEAD	15	13
84-64846	LEAD ASSEMBLY,PRIMARY TERMINAL	11	7	392-9766	CAP, DISTRIBUTOR	15	2
84-65796	LEAD ASSEMBLY,DISTRIBUTOR TO COIL (8 1/2")	11	17	392-9767	ROTOR	15	4
84-67957--1	LEAD ASSEMBLY, HIGH TENSION (31")-CYL.#3	13	28	392-9768	SHAFT	15	10
84-67957--2	LEAD ASSEMBLY, HIGH TENSION (28")-CYL.#2 AND #6	13	28	393-4988	CAP, DISTRIBUTOR	11	2
84-67957--4	LEAD ASSEMBLY, HIGH TENSION (34")-CYL.#7	13	28	446-5105	CRANKSHAFT (LEFT HAND CRANKSHAFT ROTATION	49	7
84-67957--5	LEAD ASSEMBLY, HIGH TENSION (38 1/2")	11	28	446-5106	CRANKSHAFT (RIGHT HAND CRANKSHAFT ROTATION	49	7
84-67957--7	LEAD ASSEMBLY, HIGH TENSION (28")-CYL.#1 AND #5	13	28	446-6564	CRANKSHAFT (LEFT HAND CRANKSHAFT ROTATION	49	7
84-67957--8	LEAD ASSEMBLY, HIGH TENSION (37")-CYL. #4	11	28	447-5098	CAMSHAFT (LEFT HAND CRANKSHAFT ROTATION)	39	19
84-71150	WIRING HARNESS	9	1	447-5099	CAMSHAFT (RIGHT HAND CRANKSHAT ROTATION)	39	19
84-75780	LEAD ASSEMBLY, DISTRIBUTOR	15	18	479-6563	PISTON AND PISTON PIN ASS'Y (.020 O.S.)	49	1
84-77042	CABLE,SOLENOID TO MOTOR (YELLOW-12 1/2")	9	18	623-5914	CONNECTING ROD ASSEMBLY	49	3
85-63709A1	PROTECTOR, SPARK PLUG	15	30	749-5791	PISTON AND PISTON PIN ASS'Y (STANDARD)	49	1
86-66986	TERMINAL BLOCK, SHIFT BRACKET	71	61	749-5795	PISTON AND PISTON PIN ASS'Y (.003 O.S.) - USE	49	1
86-70879	TERMINAL, CHOKE COVER SCREW	25	63	749-5796	STANDARD RING	49	1
88-65093	CIRCUIT BREAKER	7	13	749-6561	PISTON AND PISTON PIN ASS'Y (.020 O.S.)	49	1
88-65093	CIRCUIT BREAKER (NOT AS SHOWN)	9	19	749-6562	PISTON AND PISTON PIN ASS'Y (STANDARD)	49	1
89-76416A1	STARTER SOLENOID	9	10	853-5912	PISTON AND PISTON PIN ASS'Y (.003 O.S.) - USE	49	1
152-20722	WASHER,K SHIFT LEVER TO TRANSMISSION	55	22	853-6559	STANDARD RING	49	1
212-47629	ELBOW, HOSE TO OIL COOLER (90)	59	19	949-5913	CYLINDER BLOCK ASSEMBLY (INCLUDES	43	1
238-4055	FLYWHEEL ASSEMBLY - 164 TEETH(INBOARD)	49	8	949-6560	BEARING CAPS)	43	1
238-4428	FLYWHEEL ASSEMBLY - 157 TEETH(STERN DRIVE)	49	8	1376-5744A1	CYLINDER HEAD ASSEMBLY	43	7
392-6318	CAP, DISTRIBUTOR	15	2	1376-5744A1	CARBURETOR ASSEMBLY .	19	20
392-6319	SPRING, DISTRIBUTOR CAP	15	8	1376-6152A1	CARBURETOR ASSEMBLY, COMPLETE	23	-
392-6322	PRIMARY LEAD	15	13	1376-6152A1	CARBURETOR ASSEMBLY .	19	20
392-6323	PLATE	15	5	1397-2071	CARBURETOR ASSEMBLY, COMPLETE	23	-
392-6324	CONDENSER	15	7	1397-2629	CAM, FAST IDLE - FLOAT BOWL	25	46
392-6325	BREAKER	15	6	1397-2629	LEVER ASSEMBLY CHOKE PISTON	25	56
392-6326	ROTOR	15	4	1397-2638	IDLE STOP SCREW, THROTTLE BODY	25	41
392-6329	GASKET,DISTRIBUTOR CAP	15	3	1397-3330	NUT, FUEL INLET-AIR HORN	23	7
392-6330	DISTRIBUTOR (L/H CRANKSHAFT ROTATION)	15	1	1397-4257	CHOKE LEVER COLLAR ASSEMBLY, CHOKE	25	49
392-6331	BEARING	15	9	1397-5830	SHAFT	25	49
392-6332	GEAR AND COLLAR(L/H CRANKSHAFT ROTATION)	15	11	1397-5831	OVERHAUL KIT	25	--
392-6333	O-RING(1- 1/2"O.D.)	15	12	1397-5832	POWER CARBURETOR KIT	25	--
392-6334	SHAFT	15	10	1397-5833	GASKET KIT	25	--
392-6335	DISTRIBUTOR (R/H CRANKSHAFT ROTATION)	15	1		LEVER, PUMP - AIR HORN .	23	29

PARTS INDEX

Part Number	Description	Pg.	Ref. No.	Part Number	Description	Pg.	Ref. No.
1397-5836	POWER PISTON ASSEMBLY	23	2				
1397-5837	FLOAT ASSEMBLY	23	12				
1397-5838	CHOKE HOUSING ASSEMBLY	25	53				
1397-5839	VALVE, CHOKE - CHOKE SHAFT	25	51				
1397-5840	CHOKE SHAFT ASSEMBLY .	25	50				
1397-5842	SCREW, VENTURI CLUSTER TO FLOAT BOWL (OUTER)	23	22				
1397-5843	SCREW, VENTURI CLUSTER TO FLOAT BOWL (CENTER)	23	20				
1397-5844	ROD, CHOKE	25	48				
1397-5845	ROD, PUMP	23	32				
1397-5881	FLOAT BOWL ASSEMBLY . .	23	17				
1397-5882	JET, FLOAT BOWL (STANDARD)	23	28				
1397-6364	LEVER, PUMP - AIR HORN .	23	29				
1397-6365	JET, FLOAT BOWL (STANDARD)	23	28				
1397-6366	FLOAT BOWL ASSEMBLY . .	23	17				