

- A. Over-Rich Running - Mariner/Mercury 60 (3 Cyl.)
- B. Vent Screw - Fuel Tank Cap - Mercury 2.2 and 4
- C. Warning Horn Sounding a Low Tone - Mercury 35 and Mariner/Mercury 45-60 and 115 Electric Start Models

**A. OVER-RICH RUNNING - MARINER/MERCURY 60 (3 CYL.)**

The 60 HP outboards identified below have a .0785" main fuel jet in the TOP carburetor. If the owner/operator complains of an over-rich running condition (four cycling, blubbering, etc.) ABOVE 4500 RPM, remove the .0785" main fuel jet and install a .074" main fuel jet P/N 1399-3794.

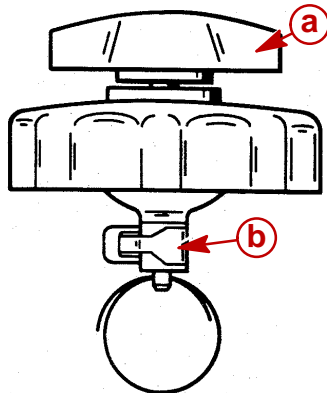
The bottom carburetor has a .072" main fuel jet which should not be changed.

US S/N A197392-B299834  
CANADA S/N A706911 -A737103

This does not apply to Belgium produced models.

**B. VENT SCREW - FUEL TANK CAP - MERCURY 2.2 AND 4**

We have received a few reports that the fuel cap vent screw does not operate **correctly**. **Turning** the vent screw (Figure 1) is limited to 1/4 or 1/2 turn. When released, it returns (snaps back) to the original position. This usually occurs the first time the fuel tank is attempted to be vented.



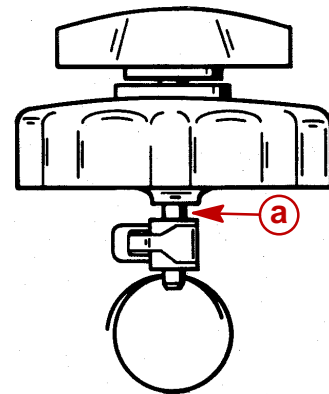
24349

**Figure 1. Fuel Tank Cap**

- a - Vent Screw
- b - Metal Clamp

**Correct by:**

1. Remove fuel tank cap from fuel tank.
2. Inspect the position of the metal clamp (Figure 1). The bottom of the metal clamp must be even with or very close to the bottom of the sealing rubber. Reposition the metal clamp if necessary.
3. With a sharp knife, cut through the sealing rubber to the screw shaft just above the metal clamp and separate (Figure 2). Do not remove the metal clamp and the rubber piece thee it holds.
4. Re-install the fuel tank cap.



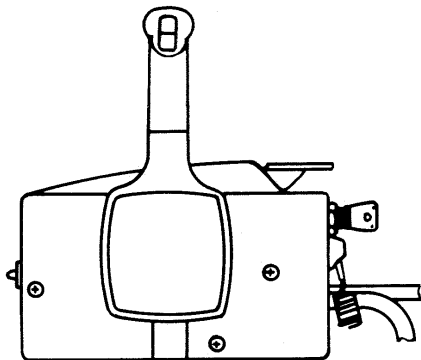
24349

**Figure 2. Fuel Tank Cap**

- a - Cut and Separate

**C. WARNING HORN SOUNDING A LOW TONE - MERCURY 35 AND MARINER/MERCURY 45 - 60 AND 115 ELECTRIC START MODELS**

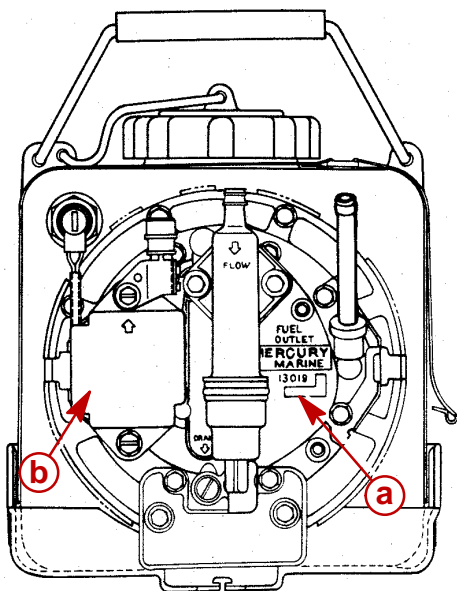
Warning horn sounding a low tone when the engine is running may be caused by electrical RFI (radio frequency interference) from the engine. This only occurs when the Quicksilver 2000 remote control (Figure 3) with the warning horn inside is used with the P/N 13019--4 AutoBlend. Although all 1988 Mercury 35 and Mariner/Mercury 45,50,60 and 115 electric start models are shipped with this series remote control and AutoBlend, we have received only a few complaints.



22006

**Figure 3. Quicksilver 2000 Remote Control**

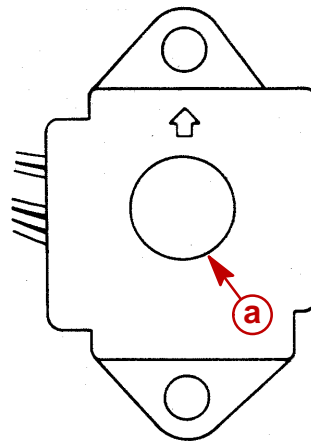
An improved AutoBlend electronic module (P/N 19264) that eliminates the affect of RFI has been installed on AutoBlends midway through the manufacture of lot #BJ (Figure 4). To identify the improved module, a round green sticker (Figure 5) has been applied to the module case.



24240

**Figure 4. AutoBlend 13019--4**

- a** - Lot Number Location
- b** - Module

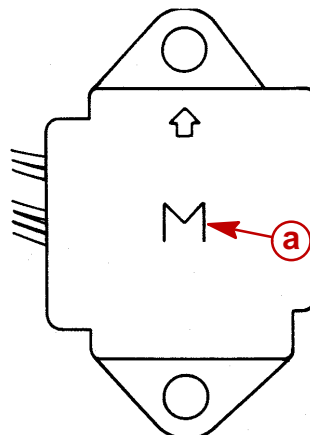


24239

**Figure 5. AutoBlend Module P/N 19264**

- a** - Round Green Sticker

A further improved module (P/N 19265) will be installed on AutoBlends starting with foe code CA and can be identified by a letter "M" molded into the module case (Figure 6).



24239

**Figure 6. AutoBlend Module P/N 19265**

- a** - "M" Molded into Case

Replace warning module on 13019--4 AutoBlends with latest warning module (P/N 19265) if all of the items apply:

1. Warning horn sounds a low tone only when engine is running.
2. Remote control is a Quicksilver 2000.
3. Lot number is BJ or previous, i.e.: BI, BH, BG, etc.
4. Warning module does not have a round green sticker
5. Warning module does not have a letter "M" molded into the case.

Submit a warranty claim for the warning module and 0.5 hour labor. More than one outboard may be listed on a claim, but it is essential that all serial numbers are listed.