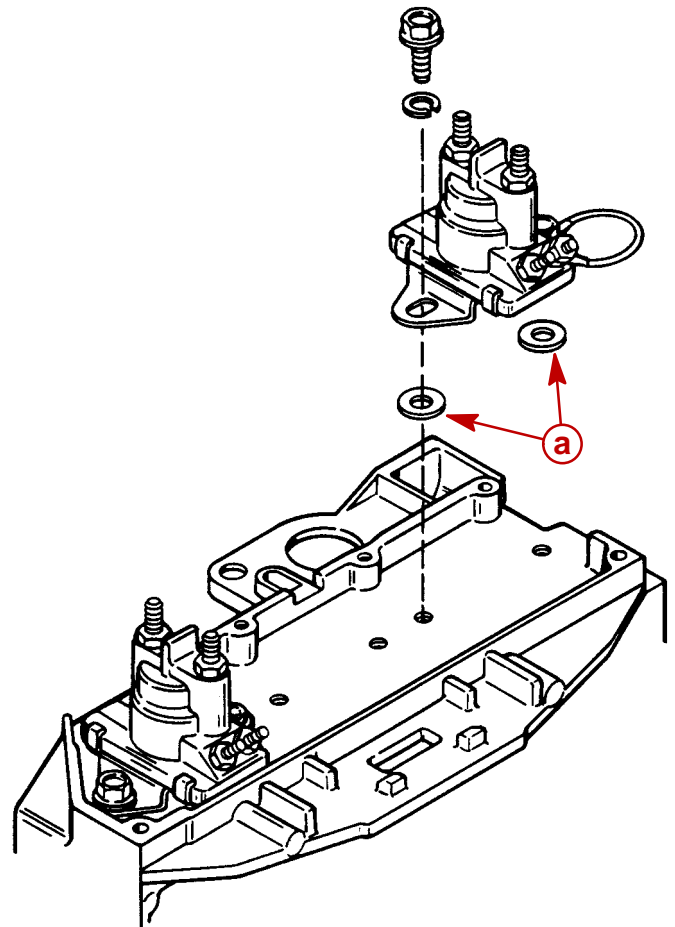


50 & 60 HP Models – Blowing Fuses Serial Numbers 0B396036 thru 0B398982

It has been determined that the solenoid terminals (on the models within the above serial number range) may contact the sound attenuator cover. If this occurs, the engine 20 amp fuse will “blow.”

To correct this problem, place 2 washers P/N 12-26020 under each solenoid to provide additional clearance. Figure 1 (opposite side). The non-power trim models require 2 washers under the starter solenoid. The power trim models have 3 solenoids and will require a total of 6 washers.

More than one engine may be listed on a warranty claim, however, it is essential that all serial numbers are listed. Warranty labor of 0.5 hours will allowed for each engine.



a - Washers