

Idle Stabilizer/Advance Module – 1990 Mariner 150 Magnum II and Mercury 150 XR4

1990 Models within the serial numbers listed require removal of idle stabilizer module and installation of idle stabilizer/advance module. Quicksilver part number of idle stabilizer/advance module is 93772A5 (Figure 1). Installation of 93772A5 module maintains performance at the highest allowable level.

Outboards within the serial numbers listed that were reworked at the factory have:

- A 3/4 inch (19mm) red dot on the idle stabilizer/advance module (Figure 1).
- A letter “R” on the shipping carton next to the serial number.

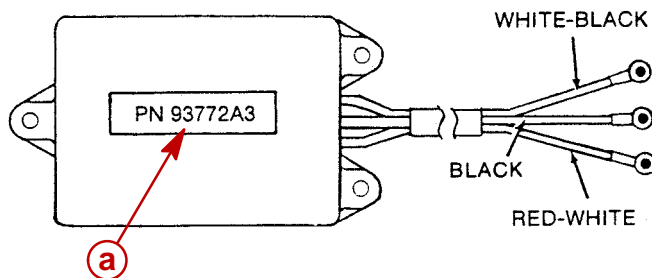


Figure 1. Idle Stabilizer/Advance Module

a - Production Part Number

Models: U.S. Production Only

1990 Mariner 150 Magnum II
S/N 0C247591 – 0C254931

1990 Mercury 150 XR4
S/N 0C247591 – 0C254931

REPAIR PROCEDURE:

Removal – Remove idle stabilizer (Figure 3). Note wire harness routing for proper installation of new module (Figure 2).

If white/black idle stabilizer wire is connected to inner switch box, it is necessary to remove outer switch box to gain access to connection. Remove idle stabilizer white/black wire, reconnect white/black jumper wire and install outer switch box.

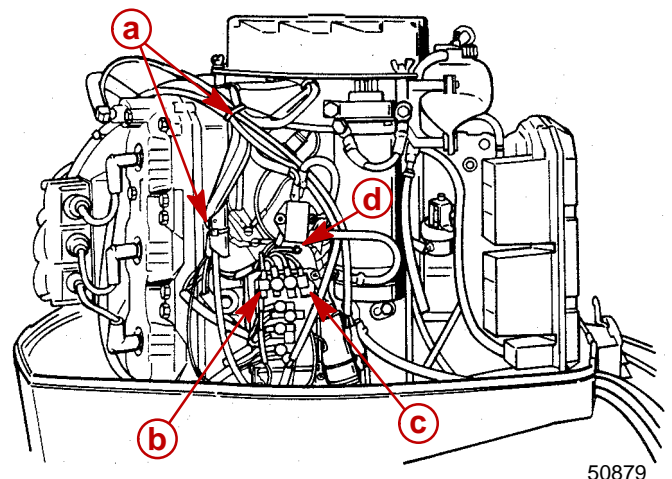


Figure 2.

a - Sta – Straps

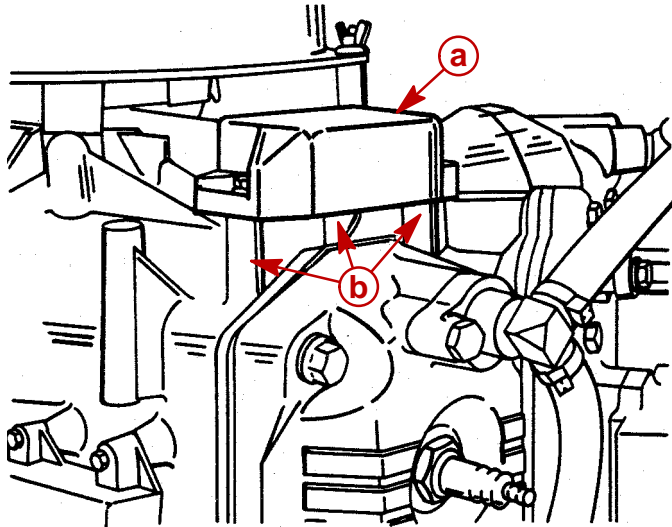
b - White/Black Terminal

c - Red/White Terminal

d - Black Ground Wire

50879

Installation – Secure idle stabilizer/advance module to mounting bosses (Figure 3). Properly route wire harness and connect white/black and red/white wires to outer switch box (Figure 2). Secure black ground wire from module to existing ground wires in middle of ignition plate and secure with screw (Figure 2). Secure wires away from flywheel by installing two sta-straps (Figure 2).



50858

Figure 3.

- a** - Module
- b** - Mounting Bosses

PARTS REQUIRED:

- | | | |
|-------|---------------------------------|------------------------------------|
| Qty 1 | P/N 93772A5
(Marked 93775A3) | Idle Stabilizer/
Advance Module |
| Qty 2 | P/N 54-90077 | Sta-Strap |

WARRANTY:

Complete warranty claim listing

Outboard Serial Number *

Qty 1	P/N 93772A5	Idle Stabilizer/ Advance Module
-------	-------------	------------------------------------

Qty 2	P/N 54-90077	Sta-Strap
-------	--------------	-----------

One Half (0.5) Hour Labor

Return Idle Stabilizer With Claim

*More than one outboard may be listed on a warranty claim; however, it is essential all serial numbers are listed.