

Oil Tank Leak - 50/60

Mariner and Mercury
50 and 60

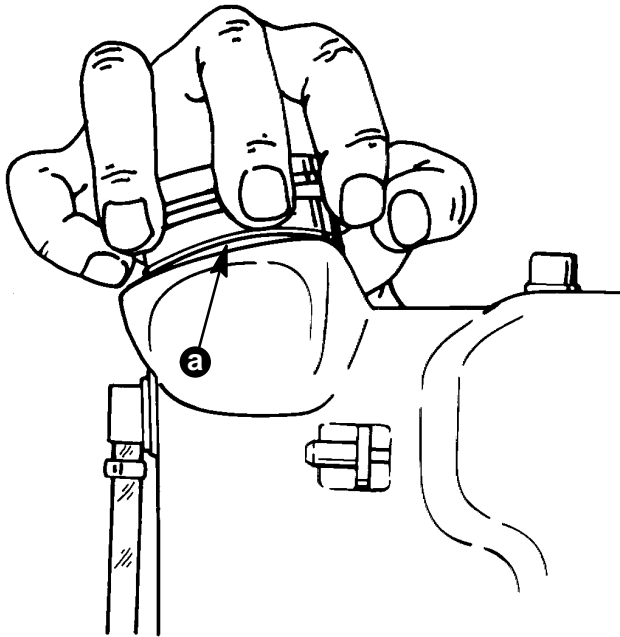
SERIAL NUMBER:

US 0D141643 and Below

Outboards listed, may have an oil leak at the seam between the filler neck and the tank body. Affected oil tanks may leak oil while outboard is laid down in shipping carton or when outboard is tilted up on boat transom.

INSPECTION:

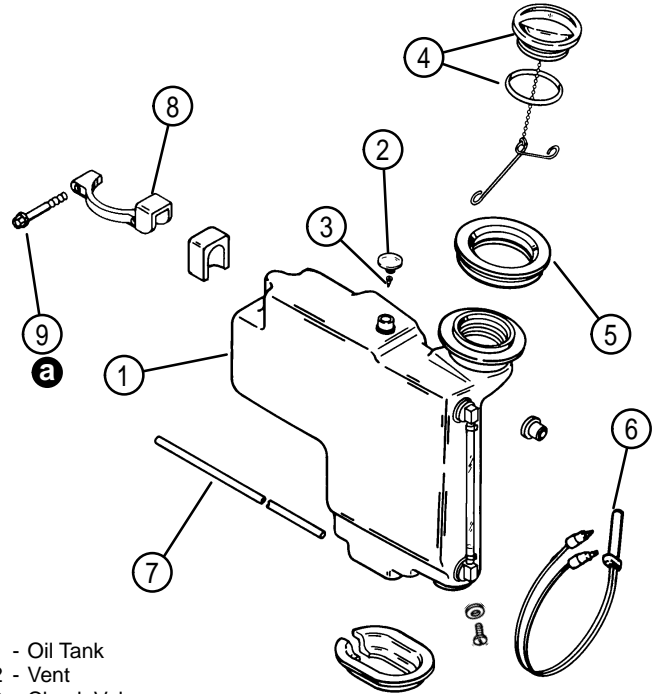
The oil tank of outboards listed, should be inspected during pre-delivery or when unit is in for service work. Visually inspect seam of filler neck for openings, while trying to tip filler neck from side to side and back and forth.



a - Filler Neck Seam of Oil Tank

CORRECTION:

Replace defective oil tank as outlined in service manual.



- 1 - Oil Tank
- 2 - Vent
- 3 - Check Valve
- 4 - Cap
- 5 - Seal
- 6 - Switch
- 7 - Oil Line
- 8 - Cover
- 9 - Bolt

Torque Specification

a 18 lb. ft. (24 N·m)

WARRANTY:

Complete warranty claim listing:

Outboard serial number

Qty. 1 P/N 1263-812718--1 Oil Tank Assembly

One half (0.5) hour labor

Labor Rate Code - OO14

Failure Code - 722 26