

Power Trim Rocker Arm – 75 thru 115

MARINER AND MERCURY

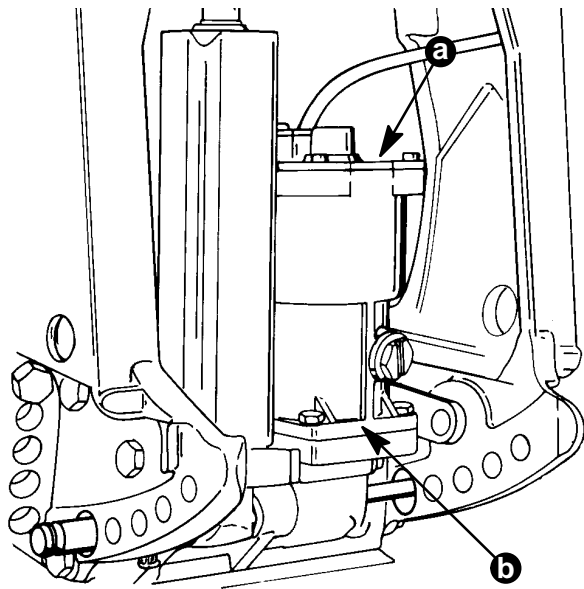
1992 75 thru 115 Power Trim Models

US s/n 0D082000 thru 0D143043

Belgium s/n 09682500 thru 09712812

Power Trim Date Code 12003 and Earlier

Single ram power trim that will not trim or tilt up or down may have a pump/manifold assembly with a broken rocker arm. If the rocker arm breaks, it is not necessary to replace the complete power trim or the complete pump/manifold. Replace the rocker arm assembly p/n 823180.



51485

a - Label on Top of Housing
or

b - Reservoir Stamp

Figure 1. Locations of Date Code

SYMPTOM:

Outboard in the trim position.

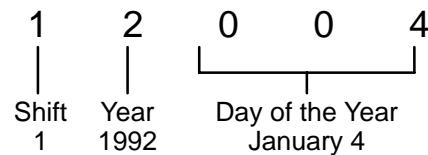
- Outboard will not tilt up or down.
- Pump motor will lock up (not turn) in either direction.

Outboard in the tilt position.

- Outboard will not tilt up or down.
- Pump motor will run slow in either direction.

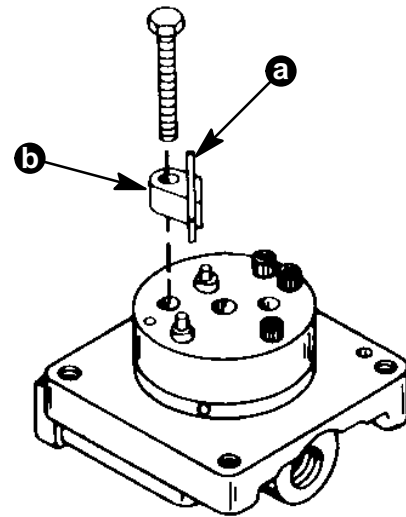
PRODUCT IMPROVEMENT:

- Power trim units have the improved rocker arm starting:
- US s/n 0D143044 and above – 1/15/92 production.
 - Belgium s/n 09712813 and above – 1/16/92 production.
 - Date code on power trim housing – 12004 and later.



REPAIR:

Replace broken rocker arm with rocker arm assembly p/n 823180 which has the improved rocker arm.



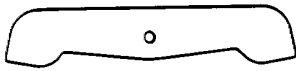
a - Rocker Arm
b - Rocker Arm Assembly

Figure 2. Pump/Manifold Assembly



51742

Previous Rocker Arm Design

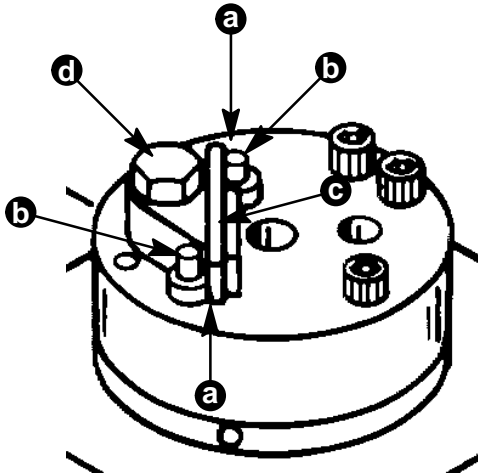


51742

Improved Rocker Arm Design

The bolt torque is 125 – 140 lbs. in (14 – 16 N.m).

Clearance between the side of the rocker arm and each pin is 0.001 to 0.010 inch (0.25 – 0.25 mm).



51560

a - Clearance Between Each Pin and Rocker Arm – 0.001 to 0.010inch (0.25 to 0.25 mm)

b - Pump Pins

c - Rocker Arm

d - Bolt – Torque 125 –140 lbs. in. (14 – 16 N.m)

Figure 3. Rocker Arm Assembly Installation

WARRANTY:

Complete warranty claim listing:

Outboard serial number

Qty. 1 p/n 823180 rocker arm assembly

One (1) hour labor

Warranty labor rate code – NJC

Failure code 130 07

US and Canada – Return part with claim.

International – Hold part for inspection/disposal by a Marine PowerInternational technical representative.