

Accumulator Removal-Manual Tilt Assist 40 (4 Cylinder), 50/60, 55/60 Sea Pro, 60 Big Foot and Jet 30 & 45

Models Affected

MARINER AND MERCURY

1989 to Present 40 HP (4 - Cylinder)
Serial Number 0C159200 and Above

1990 to Present 50/60 HP (3 - Cylinder)
Serial Number 0C160936 and Above

1990 to Present 55/60 HP Sea Pro, 60 HP Big Foot
(3 - Cylinder) Serial Number 0C160936 and Above

1994 Jet 30 (4 - Cylinder)
Serial Number 0C159200 and Above

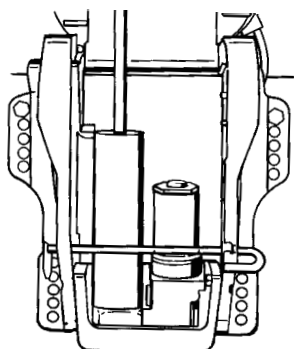
1994 Jet 45 (3 - Cylinder)
Serial Number 0C160936 and Above

IMPORTANT: This Service Bulletin supercedes all previous instructions.

WARNING

This new procedure eliminates the possibility of the unit being taken apart with pre-charge pressure in the system which could cause personal injury.

NOTE: The following procedure replaces the instructions for "Accumulator Removal" in the Service Manual for the above engines and instruction sheet 90-824951 that is supplied with the "Manual Tilt Rate Update Kit".



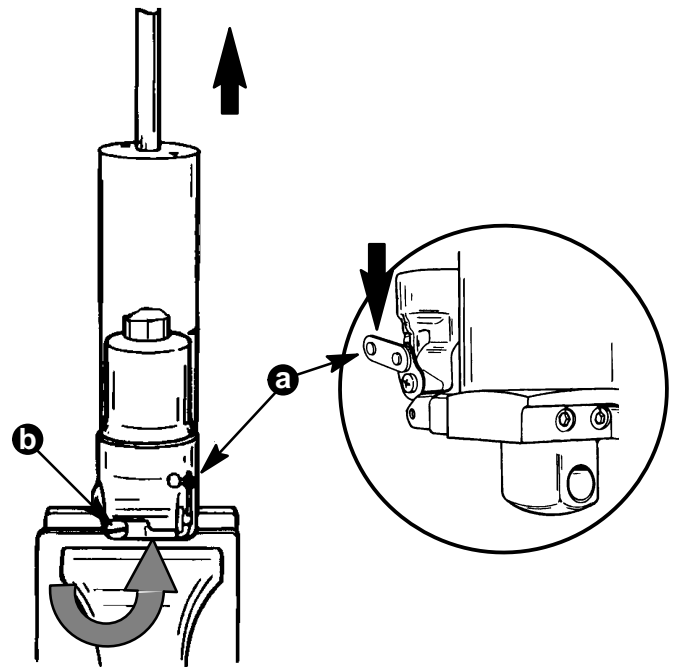
MANUAL TILT ASSIST

Manual Tilt Assembly Removal

Remove manual tilt assembly from the outboard. Refer to the proper Service Manual.

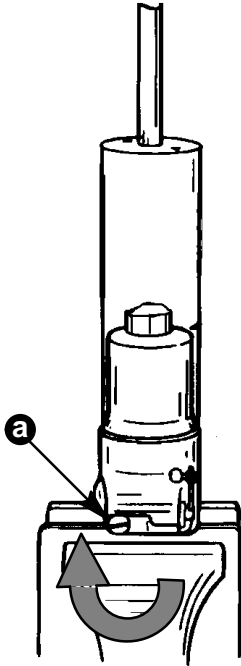
Accumulator Removal

1. Place the manual tilt system in a soft jawed vise. Turn cam lever up.
2. Turn the cam lever to the down position.
3. Extend the tilt ram to full up position.
4. Open the screw plug (counterclockwise) to release the pre-charge pressure.



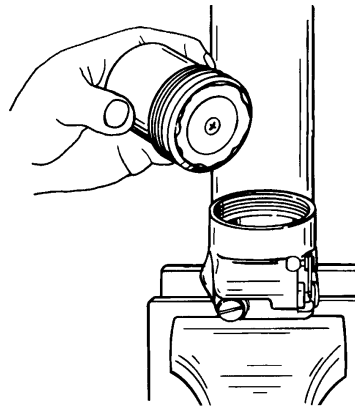
- a - Cam Lever
b - Screw Plug

5. Close the screw plug to prevent air from entering the system.



a - Screw Plug

6. Unscrew the accumulator.



The remaining procedure as listed in the Service Manual and Instruction Sheet remains the same.

Refer to appropriate Service Manual to complete installation.