

MERCURY

MARINER

MERCURY
Sport Jet

FORCE
Outboards

service information

ADVISORY

BULLETIN

NO. 2000-03

Circulate to: Sales Manager Accounting Service Manager Technician Parts Manager

Shifting Effort - 75/90 (4-Stroke) Models

Models Affected

MERCURY/MARINER

2000 75/90 (4-Stroke)
USA 0G960500 thru 0T145221

Mercury Marine has received a limited number of complaints that the 75/90 (4-Stroke) product requires an increased amount of effort to pull the shift handle out of forward gear and into neutral. The severity of the complaint may vary depending on the type of remote control, shift cable length, proper set-up, and idle speed of the engine.

NOTE: Outboards built after serial number 0T145221 utilize a shift interrupt as a standard feature.

If the shift interrupt is going to be installed, it would be efficient to replace the previous shift link at the same time. Refer to Service Information Bulletin 2000-04 for more information.

Correction

PRELIMINARY CHECKS/CORRECTIONS - NOT COVERED BY WARRANTY

1. During installation of the shift cable it is important not to bend or kink the core wire of the shift cable. A kinked core wire will pull into forward gear easily, however the kink will bind when the core wire is being pushed to obtain neutral. A control cable with a kinked core wire **MUST BE REPLACED!**
2. After engine warm up, the in-gear engine idle rpm must not exceed 800 rpm, and should be set at the lower side of the specification to 775 rpm. Too high of an in-gear idle rpm will require increased effort to shift from forward into neutral.
3. Refer the customer to the owners manual under the heading "Starting the Engine - Remote Control Models" "WARMING UP ENGINE" which reads: Before beginning operation, allow the engine to warm up at idling speed for 3 minutes.

NOTE: The CDI system on this outboard incorporates an automatic warm up mode, which will increase the engine idle speed to 1100 rpm during the engine warm up.

4. If the shifting effort continues to be excessive after performing the listed Preliminary Checks/Corrections, install a shift interrupt kit and complete a warranty claim as instructed.

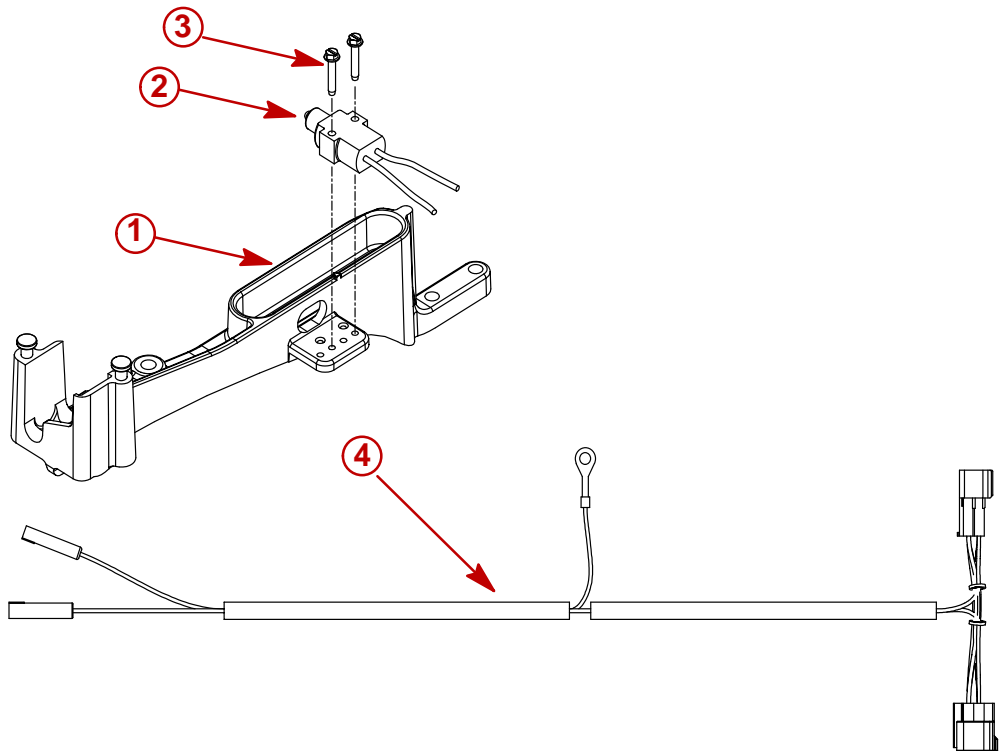
KIT INSTALLATION

1. Install Shift Interrupt Kit p/n 858793A6 as outlined in kit supplied installation instructions.

Parts Required

Part No.	Description	Qty.
858793A6	Shift Interrupt Kit	1

Components Contained in Kit



Ref.	Description	Qty.
1	Shift Link Bracket (858793A7)	1
2	Switch Assembly (87-813960A3)	1
3	Screw (10-824706-20) M3.5 x 20 mm	2
4	"T" Harness Assembly (84-878178A1)	1

Warranty

The normal one year warranty applies to the installation of the Shift Interrupt Kit.

Complete a warranty claim listing:

- Outboard serial number
- Qty. 1 p/n 858793A6 Shift Interrupt Kit
- One half (0.5) hour labor
- Labor Rate Code: CR 19
- Part Code: 223
- Fail Code: 91