

Circulate to: Sales Manager Accounting Service Manager Technician Parts Manager

Carburetor Vent Hose - 25 Four Stroke

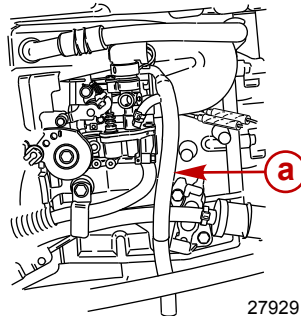
Models Affected

MERCURY/MARINER

2002 & 2003 Model Year	
USA	S/N OT409000 thru OT614773
Belgium	S/N OP153500 thru OP210462

Situation

In certain situations, a small amount of fuel may exit from the carburetor float bowl vent hose when the outboard is fully tilted and turned on the starboard side. The cause may be that the carburetor vent hose has moved downward and is now out of position.



a - Carburetor Float Bowl Vent Hose

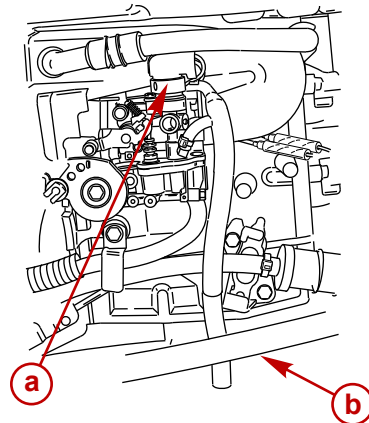
THE INFORMATION IN THIS DOCUMENT IS CONFIDENTIAL AND PROTECTED BY COPYRIGHT AND IS THE PROPERTY OF MERCURY MARINE.

This document is provided for the sole and exclusive use of the original recipient as prescribed by Mercury Marine and may not be distributed or copied, digitally or otherwise, without the prior written consent of Mercury Marine.

Correction

REPOSITION THE VENT HOSE AND RETAIN WITH STA-STRAP

Check that the vent hose is routed high and back against the electro thermo valve. If not, move the vent hose up towards the carburetor electro thermo valve. Use a 54-816311 sta-strap to secure the vent hose as high as possible and against the electro thermo valve. Outboards starting with USA serial number OT614774 & Belgium serial number 0P210463 have the sta-strap installed. The outlet of the vent hose should remain in the hole in the adaptor plate flange.



27937

a - Carburetor Electro Thermo Valve **b** - Vent Hose Exits Through Adaptor Plate Flange

VENT HOSE MODIFICATION

Boats with very steep transoms that allow the outboard to be tilted further forward may re-quire a slight modification to the existing carburetor float bowl vent hose.

EXTEND VENT HOSE END

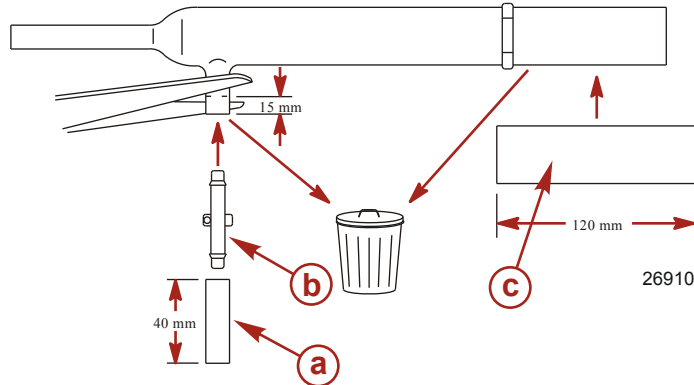
Carefully pull the outlet end of the vent hose out of the hole in the adaptor plate flange. Re-move and discard the sta-strap and the 89 mm (3-1/2 in.) long hose extension from the end of the vent hose coupler. Cut a new 120 mm (4-3/4 in.) length of 32-856822-39 large hose. Install the new piece of hose on the connector and secure with a sta-strap 54-816311.

THE INFORMATION IN THIS DOCUMENT IS CONFIDENTIAL AND PROTECTED BY COPYRIGHT AND IS THE PROPERTY OF MERCURY MARINE.

This document is provided for the sole and exclusive use of the original recipient as prescribed by Mercury Marine and may not be distributed or copied, digitally or otherwise, without the prior written consent of Mercury Marine.

MODIFY VENT HOSE ATTACHED TO BRASS FITTING

Remove the sta-strap and the vent hose from the starboard carburetor brass vent fitting. Reroute the vent hose behind the electro thermo valve. Cut 15 mm (0.59 or 19/32 in.) off the end of the existing vent hose that was connected to the carburetor brass vent fitting and discard. Cut a new 40 mm (1-9/16 in.) length of 32-99126-88 small hose. Connect the short-ened vent hose and the new small hose with a 22-822771 barbed fitting. Lubrication of the barbed fitting and the hose may be necessary for ease of assembly.

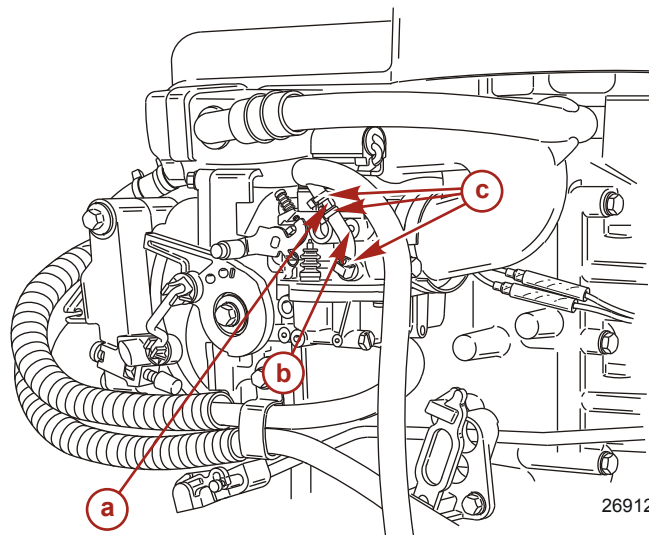


a - Small Hose
b - Barbed Fitting

c - Large Hose

REASSEMBLY

Assemble the new hose end to the carburetor brass vent fitting and install sta-strap 69355 in the three locations.



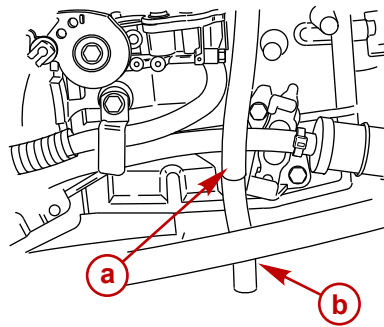
a - Barbed Fitting
b - Additional New Hose

c - Sta-Straps - Small (3)

THE INFORMATION IN THIS DOCUMENT IS CONFIDENTIAL AND PROTECTED BY COPYRIGHT AND IS THE PROPERTY OF MERCURY MARINE.

This document is provided for the sole and exclusive use of the original recipient as prescribed by Mercury Marine and may not be distributed or copied, digitally or otherwise, without the prior written consent of Mercury Marine.

Reinsert the outlet end of the carburetor vent hose into the hole in the adaptor plate flange.



27939

a - Carburetor Vent Hose

b - Adaptor Plate Flange

Parts Required

MOVE VENT HOSE ONLY

Description	Qty.	Part Number
Sta-Strap	1	54-816311T

MODIFY VENT HOSE

Description	Qty.	Part Number
Barbed Fitting	1	22-822771
Hose - Small	1	32-99126-88
Sta-Strap - Small	3	69355
Hose - Large	1	32-856822-39
Sta-Strap - Large	1	54-816311T

Warranty

If fuel leaks from the carburetor vent hose when the outboard is tilted full up and turned to the starboard side within the normal warranty period, correct and submit a warranty claim. Mercury Marine will credit the dealer for the cost of parts and labor until January 31, 2006.

Complete warranty claim listing:

- Outboard serial number
- Parts as listed in this bulletin
- 0.5 hour labor
- Warranty Flat Rate Code: SB05
- Part Code: 713
- Failure Code: 00

THE INFORMATION IN THIS DOCUMENT IS CONFIDENTIAL AND PROTECTED BY COPYRIGHT AND IS THE PROPERTY OF MERCURY MARINE.

This document is provided for the sole and exclusive use of the original recipient as prescribed by Mercury Marine and may not be distributed or copied, digitally or otherwise, without the prior written consent of Mercury Marine.