

WATER FLOW DIAGRAMS

NUMBER: 83-12

MCM 120R/140R - Refer to Section 7D of 90-71707 Service Manual
MCM 470R/488R - Refer to Service Bulletin 82-5

CIRCULATE TO:
SERVICE MANAGER
PARTS MANAGER
MECHANICS
"Place in a Service
Bulletin Binder"

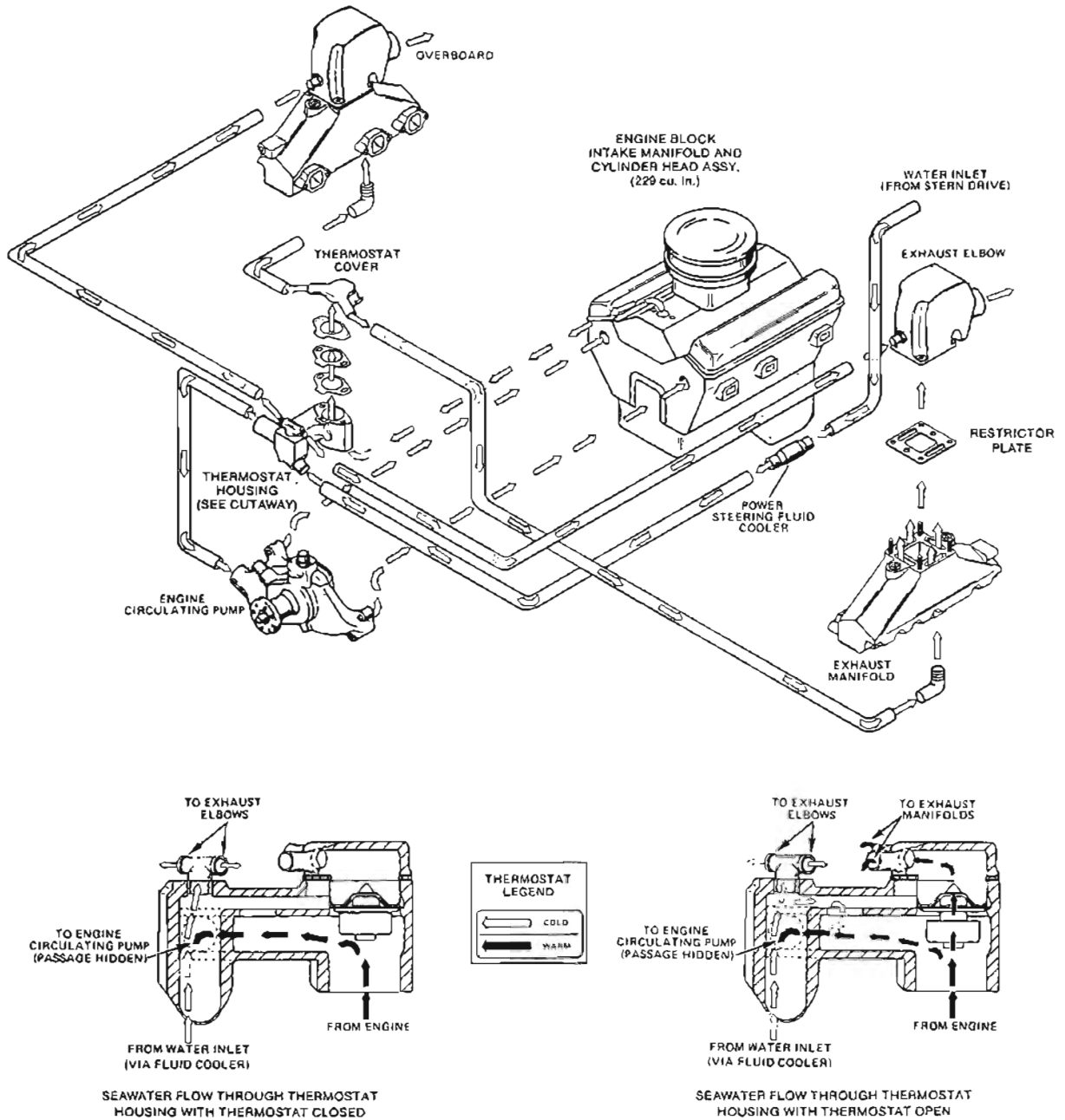
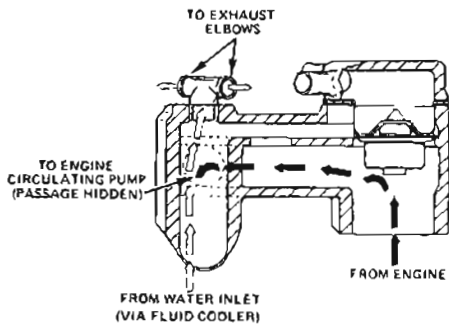
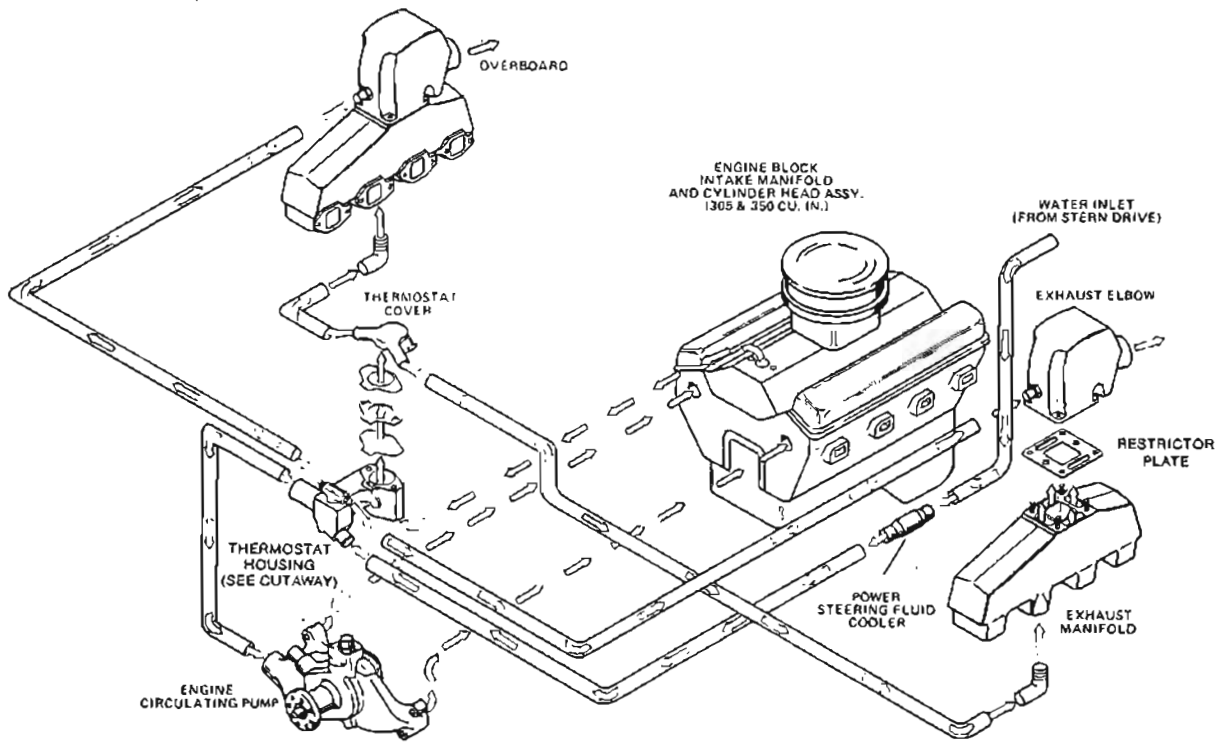
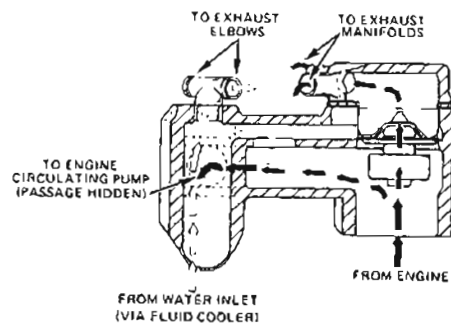


Figure 1. MCM 185R (V-6) Standard Cooling

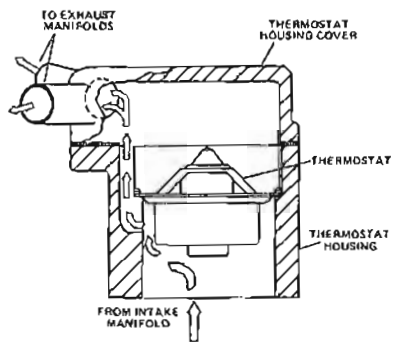
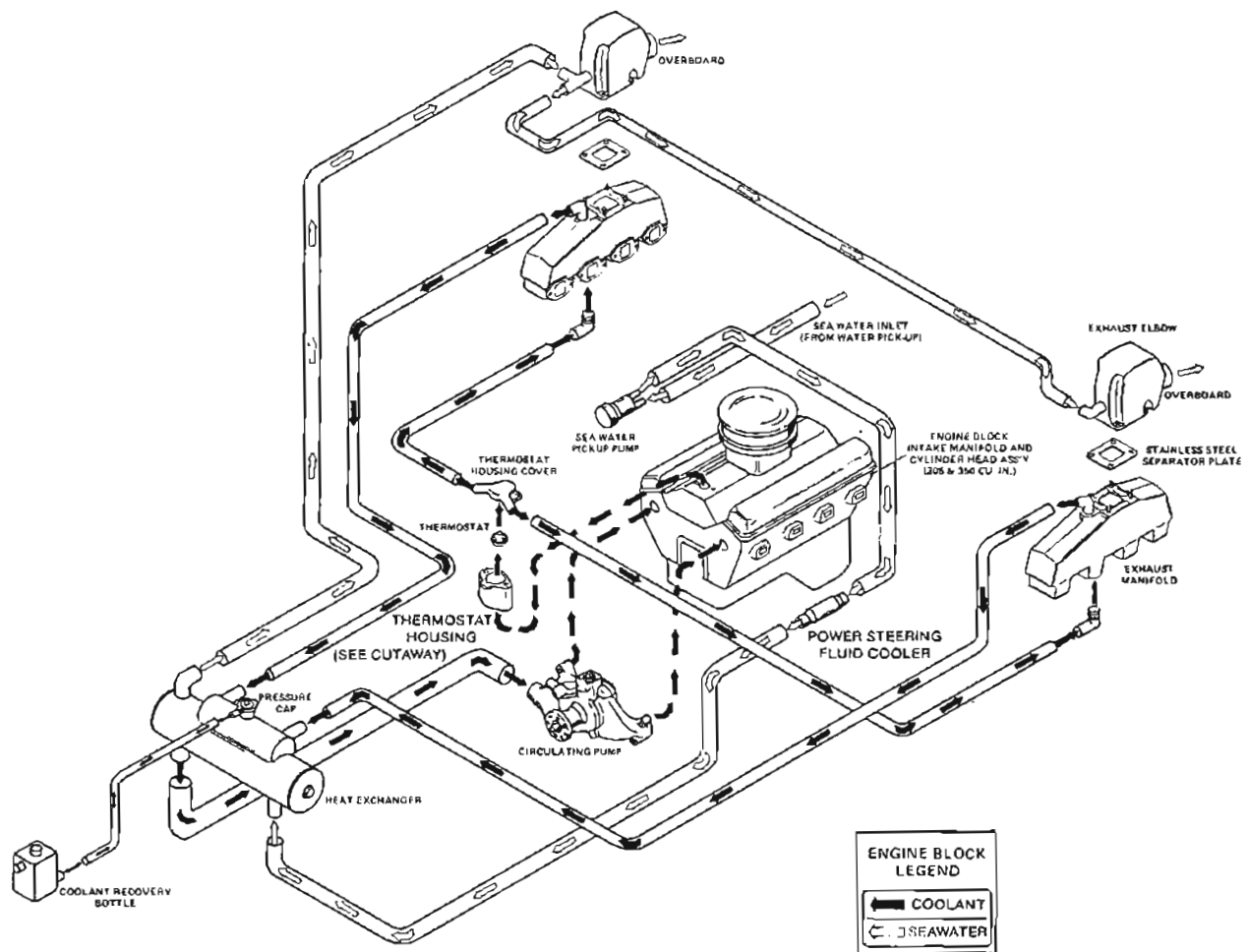


COOLANT FLOW THROUGH THERMOSTAT HOUSING WITH THERMOSTAT CLOSED

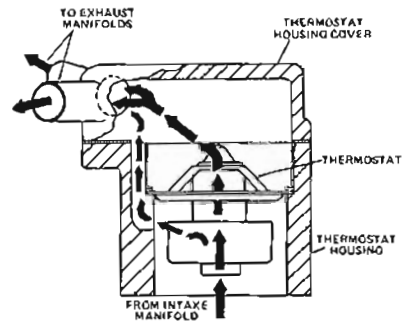
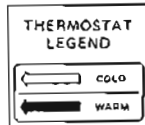


COOLANT FLOW THROUGH THERMOSTAT HOUSING WITH THERMOSTAT OPEN

Figure 2. MCM 898R/228R/260R Standard Cooling

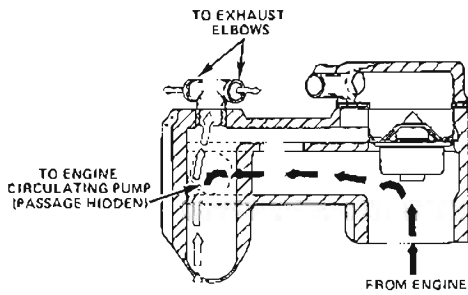
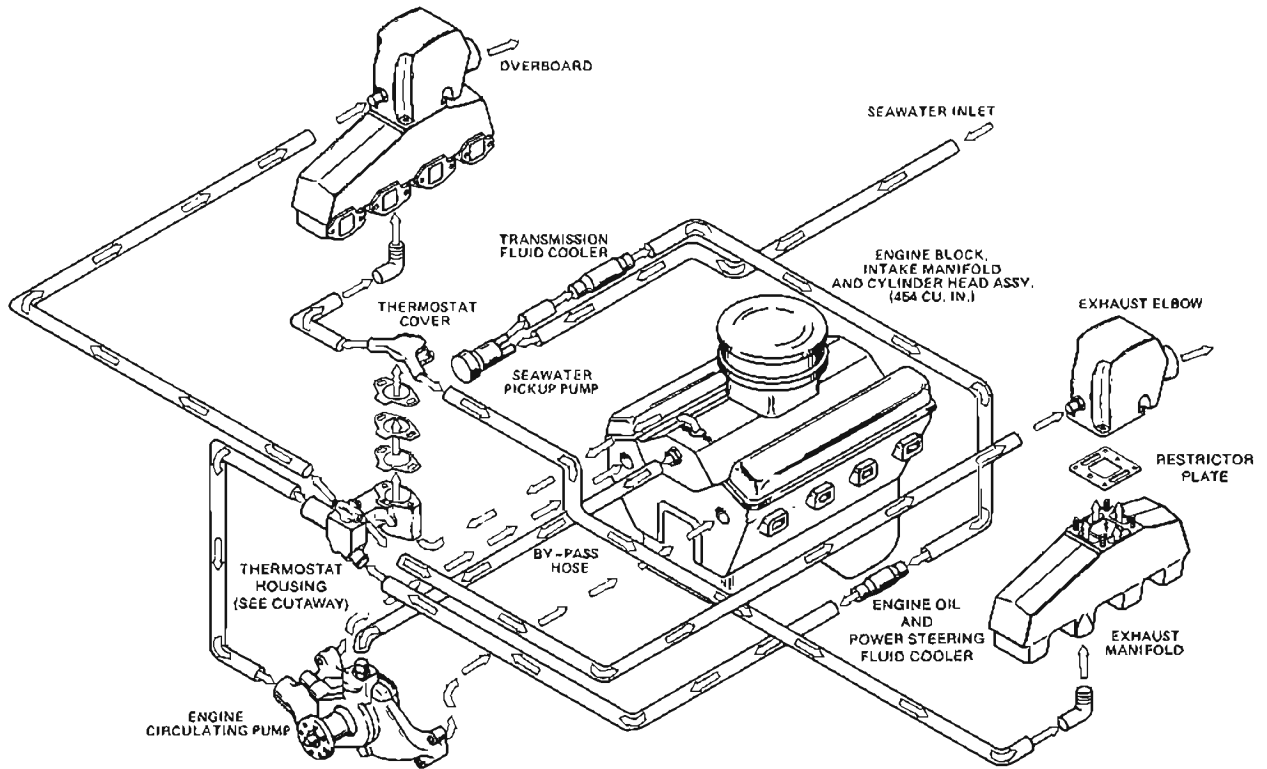


COOLANT FLOW THROUGH THERMOSTAT HOUSING WITH THERMOSTAT CLOSED (ENGINE COLD)



COOLANT FLOW THROUGH THERMOSTAT HOUSING WITH THERMOSTAT OPEN (ENGINE WARM)

Figure 3. MCM 898R/228R/260R Closed Cooling



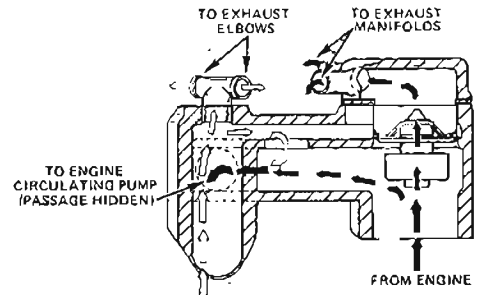
FROM SEAWATER PICKUP PUMP
(VIA FLUID COOLER)

FROM ENGINE

TO EXHAUST ELBOWS

TO ENGINE CIRCULATING PUMP
(PASSAGE HIDDEN)

COOLANT FLOW THROUGH THERMOSTAT
HOUSING WITH THERMOSTAT CLOSED



FROM SEAWATER PICKUP PUMP
(VIA FLUID COOLER)

FROM ENGINE

TO EXHAUST ELBOWS

TO EXHAUST MANIFOLDS

TO ENGINE CIRCULATING PUMP
(PASSAGE HIDDEN)

COOLANT FLOW THROUGH THERMOSTAT
HOUSING WITH THERMOSTAT OPEN

Figure 4. MCM 330 (B-W) Standard Cooling