

NUMBER: 83-29

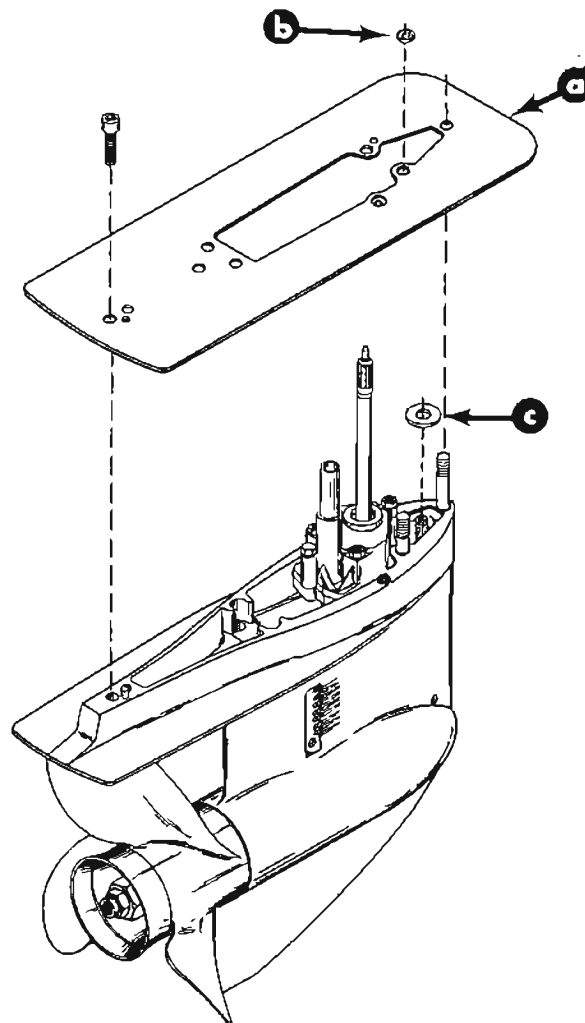
- A. Splash Plate Kit (42512A2) for MerCruiser 120R-thru-260R Models
- B. New Trailering Kit (41155A1)

CIRCULATE TO:
SERVICE MANAGER
PARTS MANAGER
MECHANICS
"Place in a Service
Bulletin Binder"

A. SPLASH PLATE KIT (42512A2) for MERCUISER 120R-thru-260R MODELS

It has come to our attention that certain boats, which are equipped with MerCruiser 120R-thru-260R Stern Drives, may experience a spray or misting condition coming over the transom. This problem is caused by the way the water contacts the stern drive unit and trim cylinders on certain boats. The condition is more apparent on some boats, due to their aerodynamic design that creates a vacuum at the back of the boat and causes the spray to be drawn over the transom. Boats with swim platforms, or boats which ride high in the water or have the stern drive unit mounted high on the transom usually do not experience this spray condition.

If you have a boat that is experiencing this spray condition, a Splash Plate Kit, 42512A2 (Figure 1) can be installed to correct the problem. Installation instructions are included in kit.



a - Splash Plate

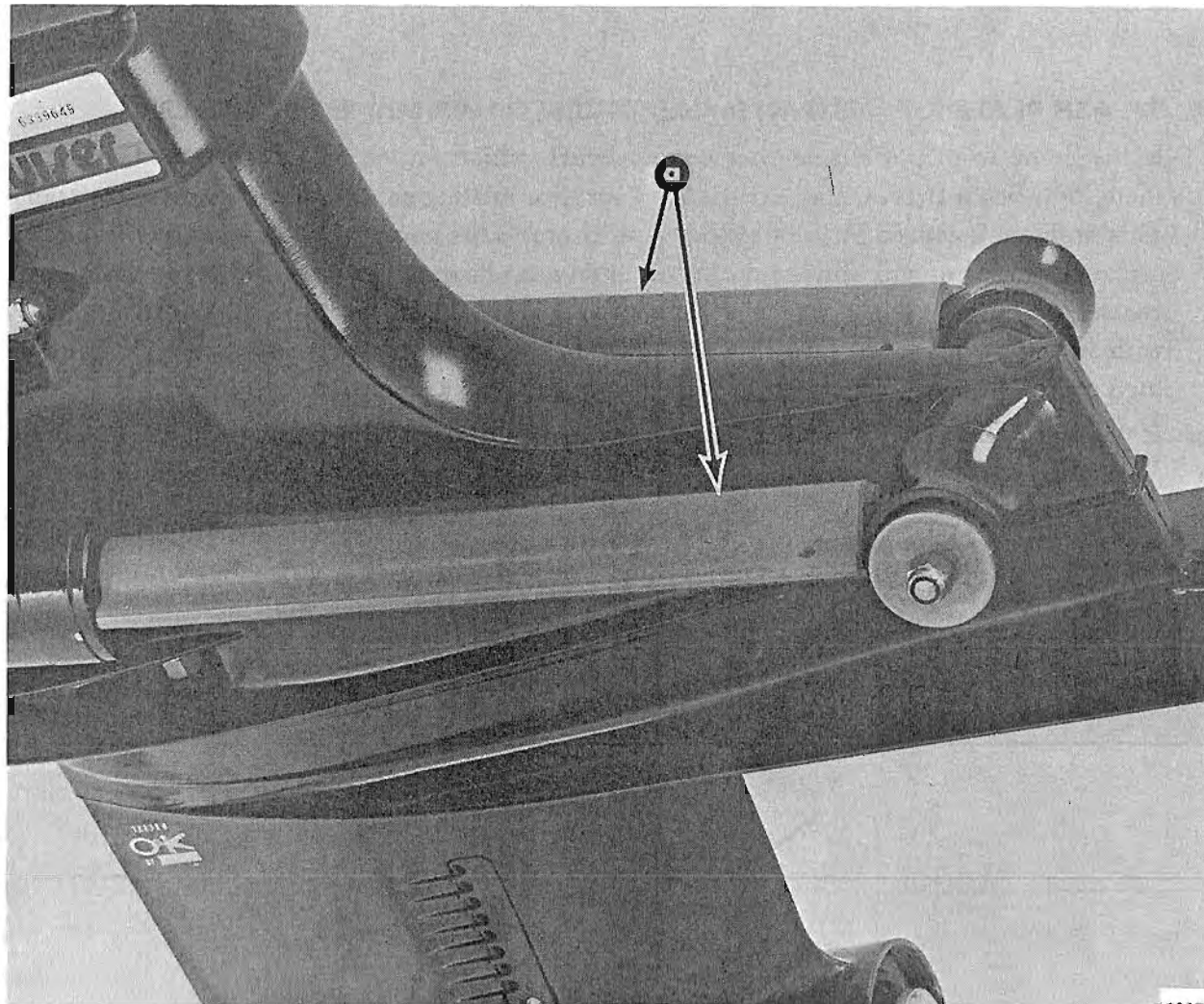
b - "O" Ring (26-45577)

c - Washer (12-29395)

Figure 1. Splash Plate Kit (42512A2)

B. NEW TRAILERING KIT (41155A1)

A new Trailering Kit, 41155A1 (Figure 2) is now available. This kit will work on the new MerCruiser 120R-thru-260R Models (which will not accommodate the old style trailering hooks) as well as all other MerCruiser Stern Drives with Power Trim. Kit is recommended if boat is to be trailered with the stern drive unit in the "Up" position, to prevent the drive unit from accidentally lowering and being damaged. Two trailering clips are included in each kit along with instructions on how to fit and install them.



16607

a - Trailering Clips

Figure 2. Trailering Kit (41155A1) Installed