

TO: SERVICE MANAGER  MECHANICS   
PARTS MANAGER

NO. 85-38

Revised 2-26-86

## New Forward Gear and Needle Bearing for MR & Alpha One Models

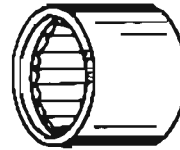
MerCruiser MR and Alpha One stern drive units will be equipped with a new forward gear 43-42933A2 and needle bearing, 31-30895.

The new gear and bearing assembly will be used as the service replacement parts for all MR and Alpha One gear housings. The new gear is identical to the old gear, with the exception that the bearing bore diameter was increased to accommodate the new bearing.

When servicing the bearing in either the old or new gear, care must be exercised to ensure that the proper bearing is used. Refer to the drawings for gear and bearing identification.

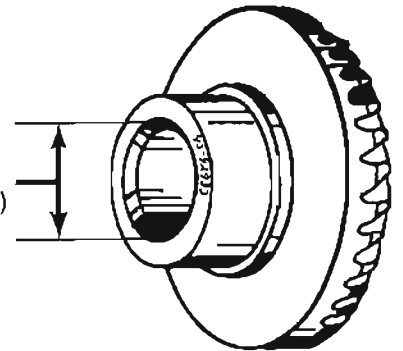
The following is a list of the beginning serial numbers for the Alpha One drive units with the new forward gear and bearing assembly.

1.32:1	A642941
1.50:1	A664587
1.84:1	A662411
1.98:1	A660408



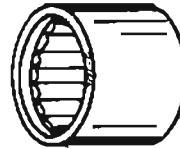
GB-1616

1.2450" - 1.2455"  
(31.623-31.6357mm)



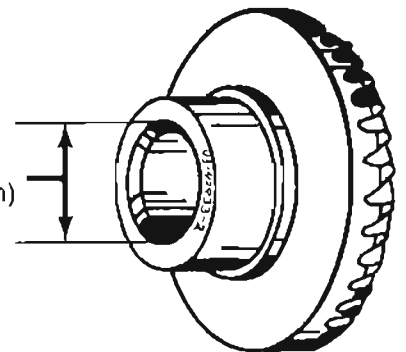
43-42933

Old Gear 43-42933 & Bearing 31-42679



B-1616

1.2495" - 1.2500"  
(31.7373-31.7500mm)



43-42933-2

New Gear 43-42933-2 & Bearing 31-30895