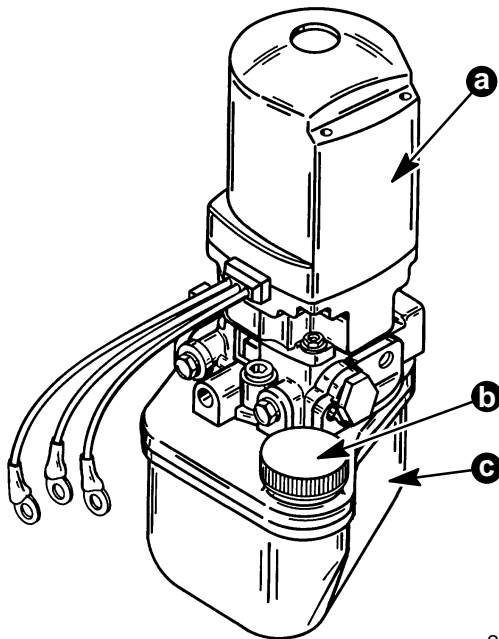


TO: SERVICE MANAGER TECHNICIANS
PARTS MANAGER

No. 87-9

New Oil Dyne/Singer Trim Pump

Beginning in late November, 1986, MerCruiser will begin using a new power trim pump (Figure 1) on all Alpha One, Alpha One SS, TR, TRS, and II SSM Models. The new pump utilizes plastic for the motor housing and a water tight electric motor for excellent resistance to water damage and corrosion. The motor has been designed to run under heavy load. If motor is over loaded for an extensive amount of time and does stall there is a thermal switch in the motor which will reset after a short period of time and allow full operation of the pump again. A see through plastic oil reservoir used to allow visual inspection of the oil level, without the need to remove a screw or use a dipstick. To facilitate ease in filling of the reservoir, a large fill opening has been provided.

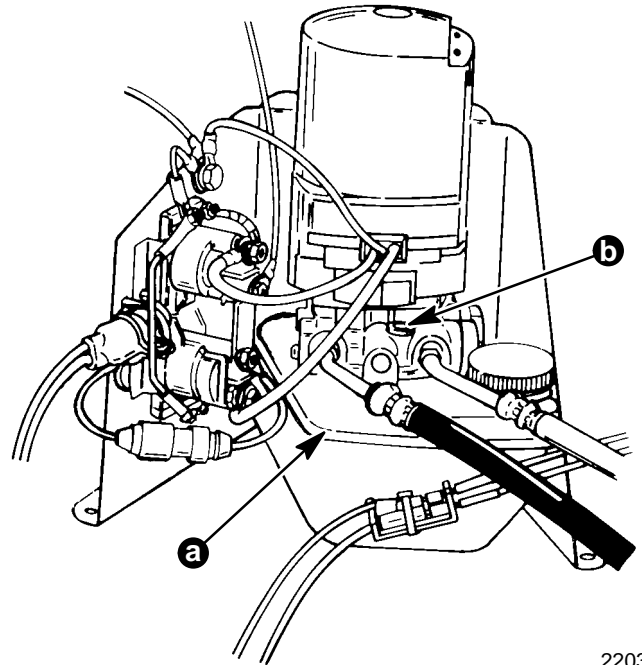


22163

- a - Water-Tight Electric Motor
- b - Oil Fill
- c - Translucent Plastic Reservoir

Figure 1. New Power Trim Pump

The new power trim pump is directly interchangeable with the old OilDyne Eaton pump and provides approximately the same trim response. Pressure settings are the same as the OilDyne Eaton pump.



22031

- a - Oil Level
- b - Vent Screw

Figure 2.