

TO: SERVICE MANAGER  TECHNICIANS   
PARTS MANAGER

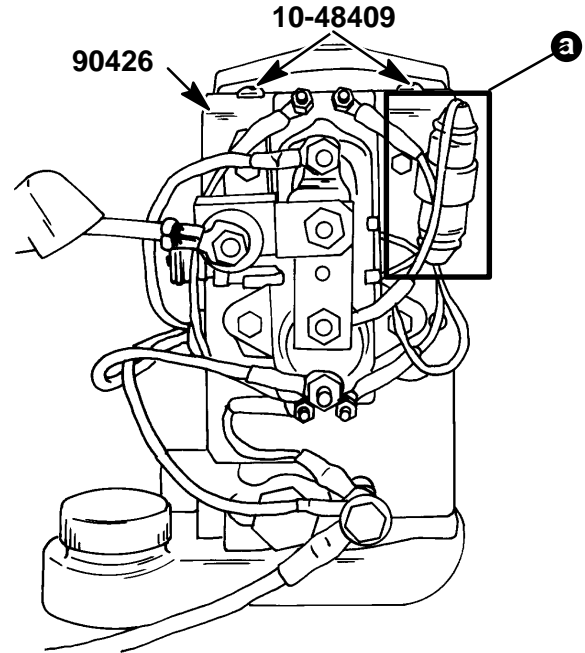
No. 87-11

## Relocating the Oildyne/Singer Trim Pump From Floor Mount To An Alternate Mounting System

The Oildyne/Singer Trim Pump is mounted to a floor mount stand the solenoids are also mounted to the floor stand. If transom mounting of the power trim pump is desired, the parts listed below are required. This attaching hardware is easy to install and allows quick removal of the trim pump for servicing in the future.

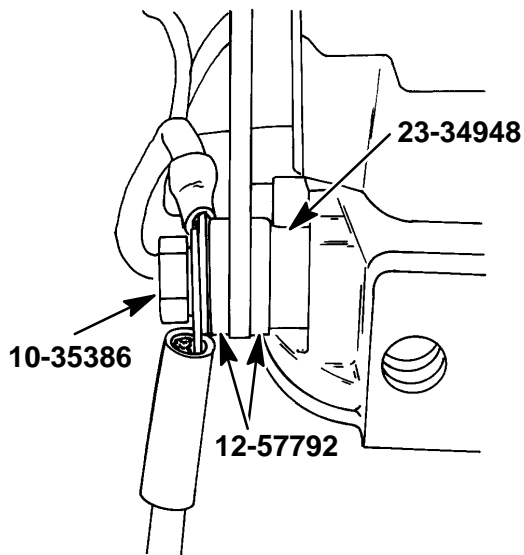
Part Number	Description	Quantity
87762A2	Transom Mount	1
90426	Bracket	1
10-35386	Screw	1
10-39349	Screw	1
10-48409	Self Tapping Screw	2
12-57792	Washer	2
13-58643	Lock Washer	1
23-34948	Spacer	1

Make the conversion as follows: Shown in Figures (1 & 2).



21920

Figure 1.

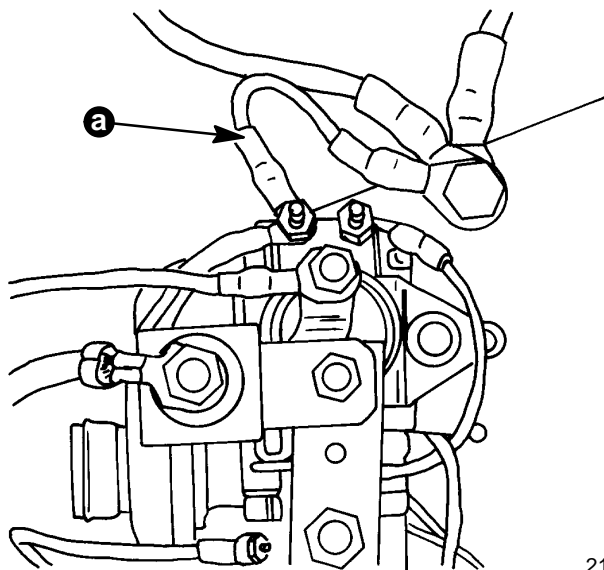


21776

**Figure 2.**

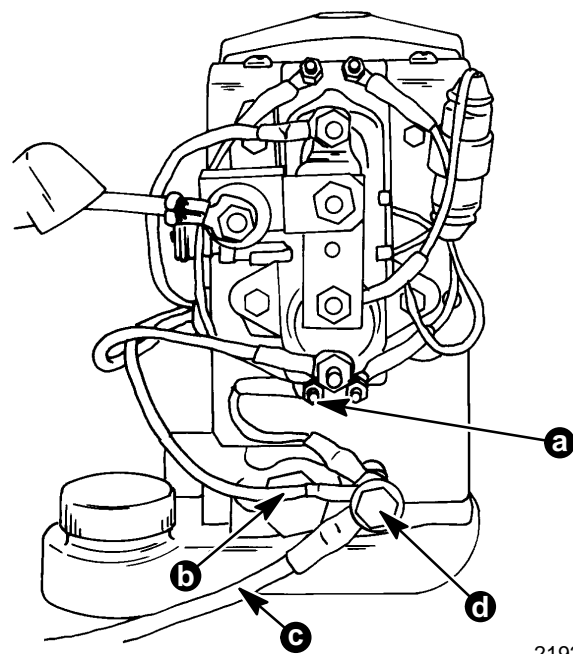
Install bracket (90426) to the motor at the top using self tapping screws (10-48409) and at the bottom to the pump adaptor using bolt (10-35386) and washers (12-57792) along with the (23-34948) spacer.

Remove the solenoid assembly from the floor mount first, then remove the ground bolt from the floor mount and discard. Remove the four screws which hold the solenoids to the new bracket to mount the solenoids to the (90426) bracket, move the inline fuse to location (a) Figure 1. Remove the ground wire from the top solenoid and reattach it to the lower solenoid at location (a) shown in Figure 4 also attach motor ground (b) and battery ground (c) to the 10-35386 location (d) shown in Figure 4.



21896

**Figure 3.**



21920

**Figure 4.**

### III & IV Lower Unit Gear Supersession

- 43-39799 supersedes to 43-39799A1
- 43-39800 supersedes to 43-39800A1
- 43-78095 supersedes to 43-78095A1
- 43-78096 supersedes to 43-78096A1

#### Left Hand Rotation

1:1 GearSet 43-39799A1 will also include two 43-74210 pinion gears, and two 43-39799 propeller shaft gears.

1.125:1 Gear Set 43-78095 propeller shaft gears.

#### Right Hand Rotation

1:1 Gear Set 43-39800A1 will also include two 43-78097 pinion gears, and one 43-39800 propeller shaft gear.

1.125:1 Gear Set 43-78096A1 will also include two 43-78097 pinion gears, and one 43-78096 propeller shaft gear.

The above mentioned gear sets will only be sold in sets, **not** individual pieces from Quicksilver stock. Pinion Gears normally sold in parts book as a separate part will be made N.L.A.