

TO: SERVICE MANAGER TECHNICIANS
PARTS MANAGER

No. 88-6

Possible Water Leak in Transom Assembly

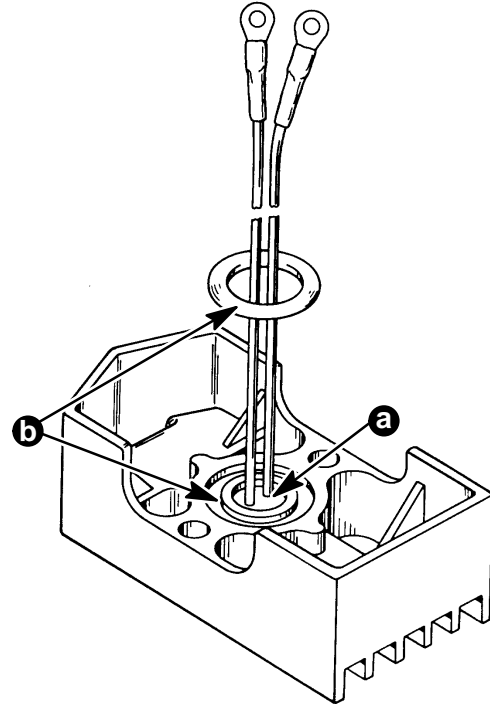
Models Affected: Only Alpha One or Bravo One Models with MerCathode Electrode Installed on Gimbal Housing

Approved Sealant to use:

1. "Life Seal"® by Boatlife®, Life Industries Corp., 205 Sweet Hollow Rd., Old Bethpage, NY 11804, telephone (516) 454-0055.
2. Any other sealer that will adhere to Glass Reinforced Polyester Thermoplastic and not lose its bonding when seawater is present.

If water is leaking into boat (in Transom Assembly area) and all other possibilities have been eliminated, proceed as follows:

- a. Remove MerCathode Electrode Assembly from bottom of Gimbal Housing.
- b. Inspect O-ring and wires to see if wires were pinched between O-ring and housing.
- c. Fill area shown in Figure 1 with approved sealant following directions on sealant.



22233

- a - Fill with Sealer
b - O-Ring and Groove

Figure 1.

- d. Reinstall Electrode Assembly and tighten screws securely.

IMPORTANT: Be careful not to pinch wires between O-ring and Transom Assembly.