

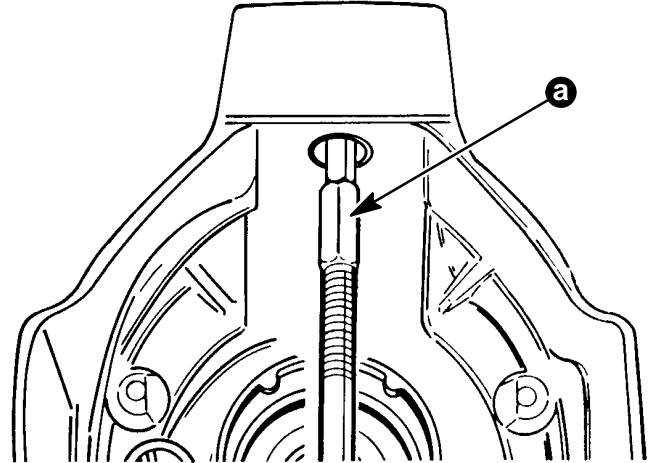
TO: SERVICE MANAGER TECHNICIANS
PARTS MANAGER

No. 88-10

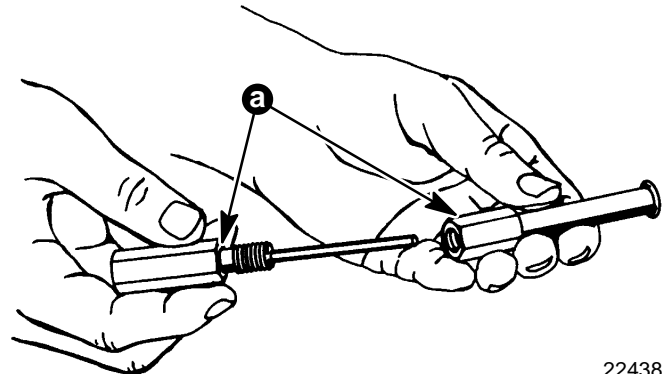
Alpha One and Bravo One Upper Swivel Shaft Bushing Removal Tools

Snap on Tool Co. tool (P/N-CG-40-B) is listed in the Bravo One Service Manual for removing the upper swivel shaft bushing (in the gimbal housing.)

CG-40-B is a complete tool kit, and not necessary to do the job. Order one CG40-4 and one CG40A6 from Snap on Tool Co. Using these two tools and a Slide hammer puller, the swivel shaft bushing can be removed as shown below.



22454



22438

a - Swivel Bushing Removal Tool
(Snap on CG40A6 and CG40-4)