

TO: SERVICE MANAGER  MECHANICS   
PARTS MANAGER

**No. 91-14**

## REPLACEMENT TRIM PUMP FOR THE PRESTOLITE STYLE PUMP

### Models

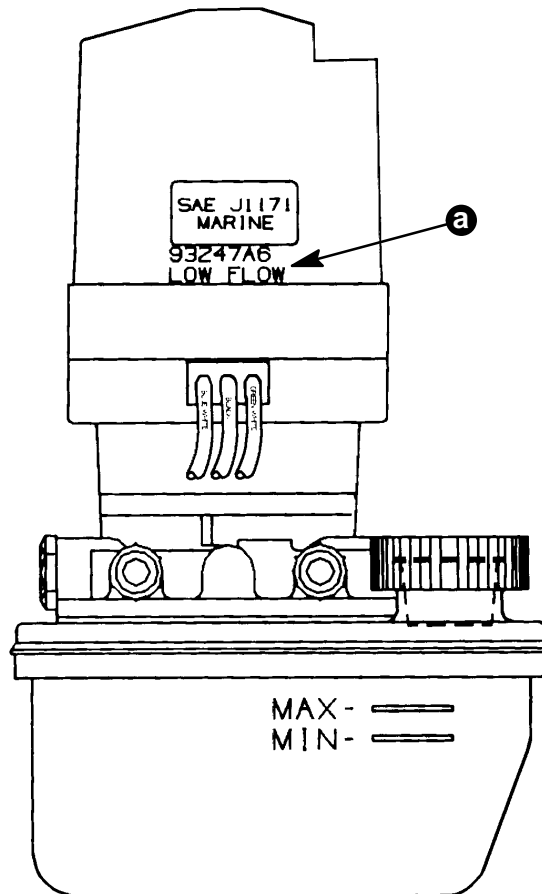
ALL

### Changes

The Prestolite trim pump has become no longer available and is being replaced with an **OILDYNE** floor mounted trim pump. This trim pump has the same pressures as the Prestolite style pump which was a high pressure low flow type pump.

### Identification

The replacement trim pump from OILDYNE will be identified as shown in the following diagram with the part number of (93247A7). Just under the number, the words (LOW FLOW) will be branded in the plastic housing. Also the adapter will have two brass reduction fittings to adapt the early style smaller type hose fittings to the pump.



70356

a - Pump Identification

### Procedure

To install the trim pump assembly correctly follow the instructions that come with the trim pump.