

TO: SERVICE MANAGER TECHNICIANS
PARTS MANAGER

No. 95-3

MCM 3.0L, LX Starter Motor Bolt Breakage

Models

MCM 3.0L or 3.0LX Stern Drive Engines with the Delco PG200 or PG260 Starter Motors.

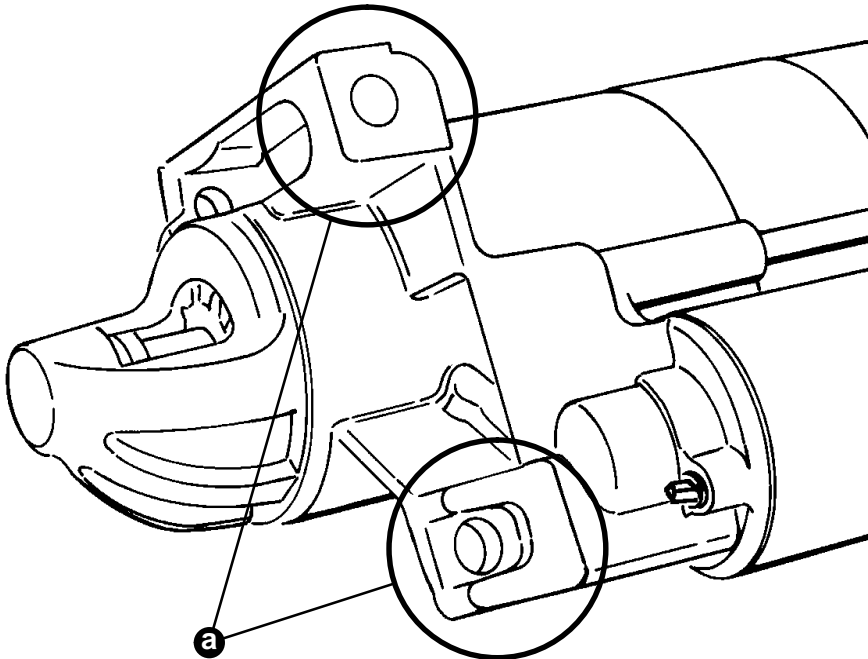
Note! This does not affect these engines with the large Delco starter motors.

Problem

At certain engine RPM's, the end of the Delco PG200 or PG260 starter motors can be subjected to a harmonic vibration. If the customer runs their engine for long periods at this RPM, the starter motor attaching bolts can break. Sometimes, the mounting pads on the starter motor drive housing either are broken off or cracked.

Inspection

Before ordering parts, remove starter motor and look for cracks in the starter motor drive housing at location showed below.



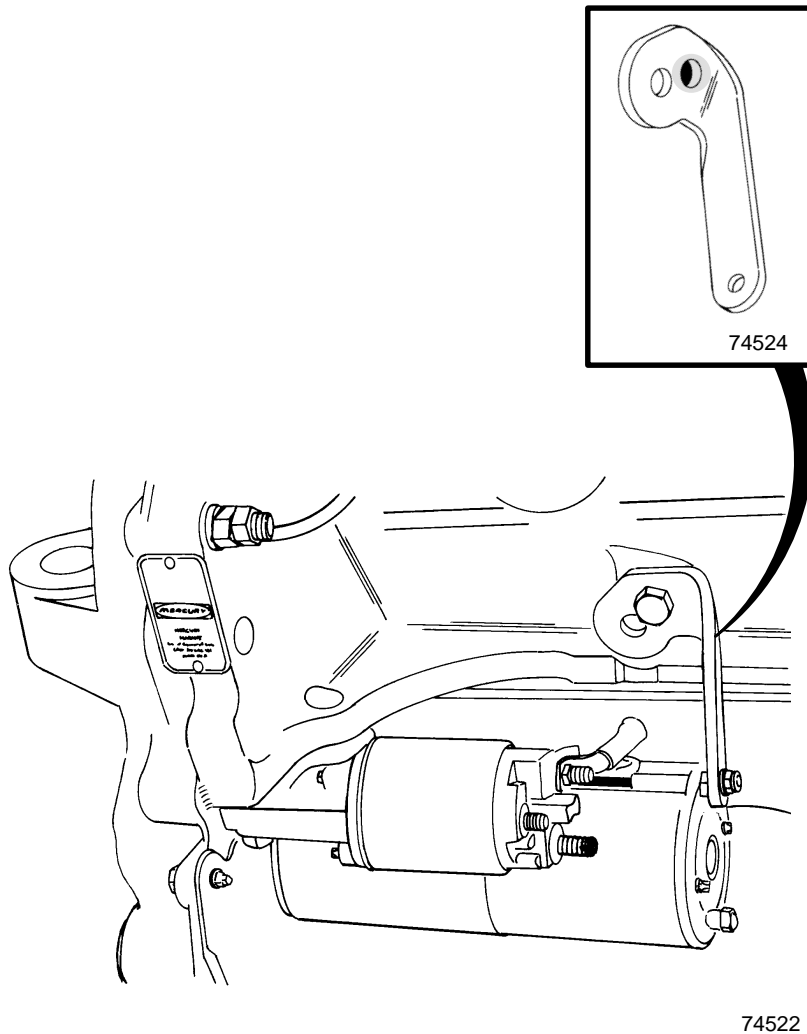
74517

a. Inspect For Cracks. If Cracks Are Found, Replace Complete Starter Motor.

Correction

Order either the Starter Motor Bracket Kit or a complete Starter Motor as required. Follow the instructions that come in the kits.

Starter Bracket Installed



Parts Required

Order:

(1) 807213A 1 Starter Motor Bracket Kit.

OR

(1) 50-806963A 4 Starter Motor Complete, (Bracket Kit is packaged with the Starter Motor).

Warranty

Fill out warranty claim and send it to your normal warranty processing center. More than one engine can be put on the warranty claim if you list the part number, engine model, serial number, warranty code and labor hours for each engine on separate lines on warranty claim.

Warranty Code and Labor:

Starter Motor Inspection OR New Starter Motor Installed:	ME71	0.5 Hours.
Installing Bracket Kit:	None	0.2 Hours.

Old Starter Motors Only: Return them along with warranty claim.