

# MERCURY *MerCruiser* service bulletin

WARRANTY INFORMATION

SERVICE INFORMATION

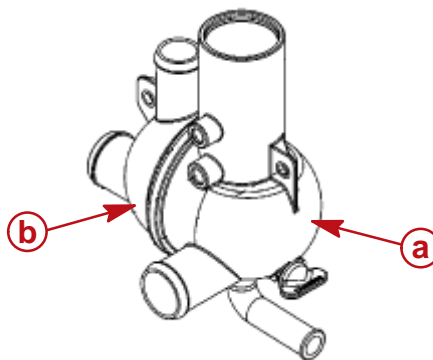
Bulletin No. 2002-05

PARTS INFORMATION

OEM No. 2002-02

Circulate to:  Sales Manager  Accounting  Service Manager  Technician  Parts Manager

## Part Numbers for Water Distribution Housings for MerCruiser Simplified/Single Point Water Drain Systems



**a** - Forward Housing

**b** - Aft Housing

The following chart shows the correct part numbers for replacement Water Distribution Housings. Some part numbers listed in the initial parts catalogs are inaccurate and will be corrected as the catalogs are updated.

### Replacement Water Distribution Housings

Part Number	Description	Forward Housing Color	Aft Housing Color	Applications
863444T1	Rod Actuated, Raw Water Cooled	Black	Black	Standard on Alpha Engines with Raw Water Cooling
863631T1	Manual Drain	Grey	Black	Standard on Bravo & MIE Engines with Raw Water Cooling
863444T2	Air Actuated, Raw Water Cooled	Black	Black	Optional on Bravo & MIE Engines with Raw Water Cooling
863802T2	Air Actuated, Closed Cooling	Black	Grey	Standard on Alpha, Bravo, & MIE with Fresh Water Cooling

THE INFORMATION IN THIS DOCUMENT IS CONFIDENTIAL AND PROTECTED BY COPYRIGHT AND IS THE PROPERTY OF MERCURY MARINE.

This document is provided for the sole and exclusive use of the original recipient as prescribed by Mercury Marine and may not be distributed or copied, digitally or otherwise, without the prior written consent of Mercury Marine.