

Circulate to: Sales Manager Accounting Service Manager Technician Parts Manager

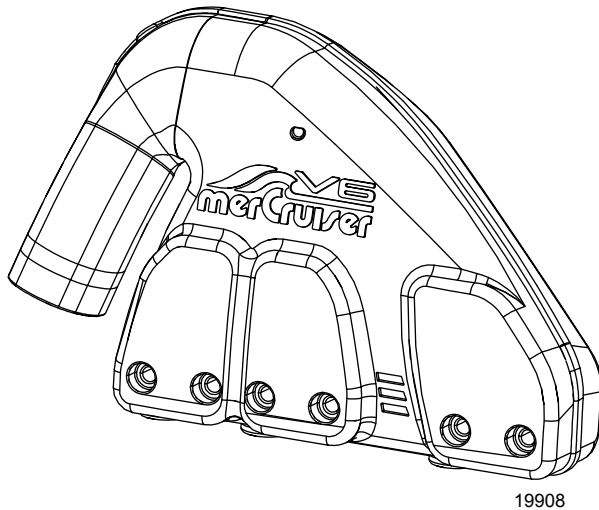
Exhaust Manifold Conversion Kit 864293A02

Models Affected

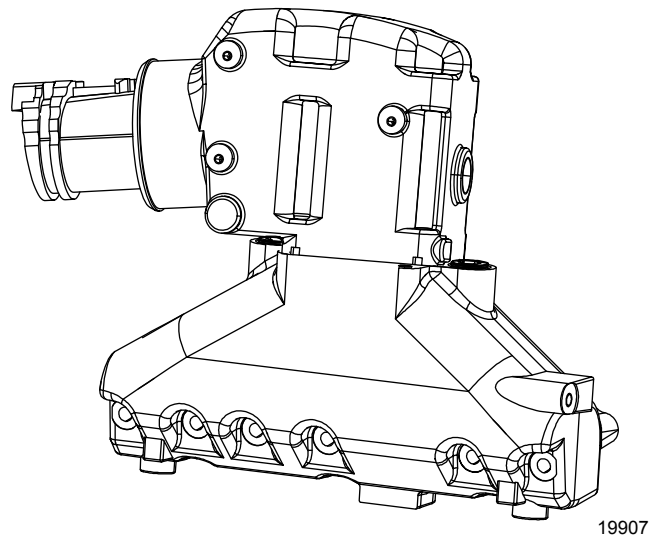
Models Covered	Serial Number
4.3L (262 CID) V-6 Models with One-Piece Exhaust Manifold Systems	0F803800 and above

Situation

One-piece exhaust manifolds are no longer available (NLA). Engines with one-piece exhaust manifolds requiring replacement will need to convert to two-piece exhaust manifolds with removable exhaust elbows.



One-Piece Exhaust Manifold—NLA



Two-Piece Manifold

Correction

In the past, the conversion from one-piece manifolds to two-piece manifolds required removal of the engine to change the lower exhaust Y pipe to a matching new style Y pipe. Mercury MerCruiser offers a kit that facilitates this conversion and allows for installation of the two-piece manifolds using the original Y pipe without removing the engine. If it is necessary to replace the original Y pipe due to failure, this kit can also be used with the new style Y pipe.

THE INFORMATION IN THIS DOCUMENT IS CONFIDENTIAL AND PROTECTED BY COPYRIGHT AND IS THE PROPERTY OF MERCURY MARINE.

This document is provided for the sole and exclusive use of the original recipient as prescribed by Mercury Marine and may not be distributed or copied, digitally or otherwise, without the prior written consent of Mercury Marine.

Parts Required

The 864293A02 kit contains nuts, bolts, rubber exhaust tubes, hardware and instructions to make the conversion from a one-piece exhaust manifold to a two-piece exhaust manifold. Due to shipping limitations, a complete kit is not available with exhaust manifolds.

The following parts will need to be ordered as well as the kit:

Qty.	Description	Part Number
2	Exhaust manifold	99746A17
2	Exhaust elbow	807988A2
2	Intermediate exhaust elbow (for use without risers)	14478T01
1	Lower exhaust Y pipe (not required unless original Y pipe has failed)	807130A4

NOTE: For 76 mm (3 in.) or 152 mm (6 in.) riser kits, see the Mercury Precision Parts And Accessories Guide for the appropriate riser kit part numbers and order 14865A1 intermediate elbow kit instead of 14478T01 (listed above).

THE INFORMATION IN THIS DOCUMENT IS CONFIDENTIAL AND PROTECTED BY COPYRIGHT AND IS THE PROPERTY OF MERCURY MARINE.

This document is provided for the sole and exclusive use of the original recipient as prescribed by Mercury Marine and may not be distributed or copied, digitally or otherwise, without the prior written consent of Mercury Marine.