

Circulate to: Sales Manager Accounting Service Manager Technician Parts Manager

Brass Seawater Pump Rear Oil Seal

Models Affected

Models Covered	Serial Number Or Year
Models equipped with a brass seawater pump	0M025000 and above

Situation

We now offer two types of rear oil seal for the brass seawater pump: part numbers 26-862037 and 26-8M2001645. The proper orientation and installation method of the rear oil seal on the brass seawater pump vary according to the type of seal.

How to Identify the Type of Rear Oil Seal

IMPORTANT: Refer to the following images to identify the type of rear oil seal for the brass seawater pump.



29827

Rear oil seal with smooth outside diameter (part number 26-862037)

a - Back of seal (spring side)
b - Smooth outside diameter

c - Front of seal

THE INFORMATION IN THIS DOCUMENT IS CONFIDENTIAL AND PROTECTED BY COPYRIGHT AND IS THE PROPERTY OF MERCURY MARINE.

This document is provided for the sole and exclusive use of the original recipient as prescribed by Mercury Marine and may not be distributed or copied, digitally or otherwise, without the prior written consent of Mercury Marine.

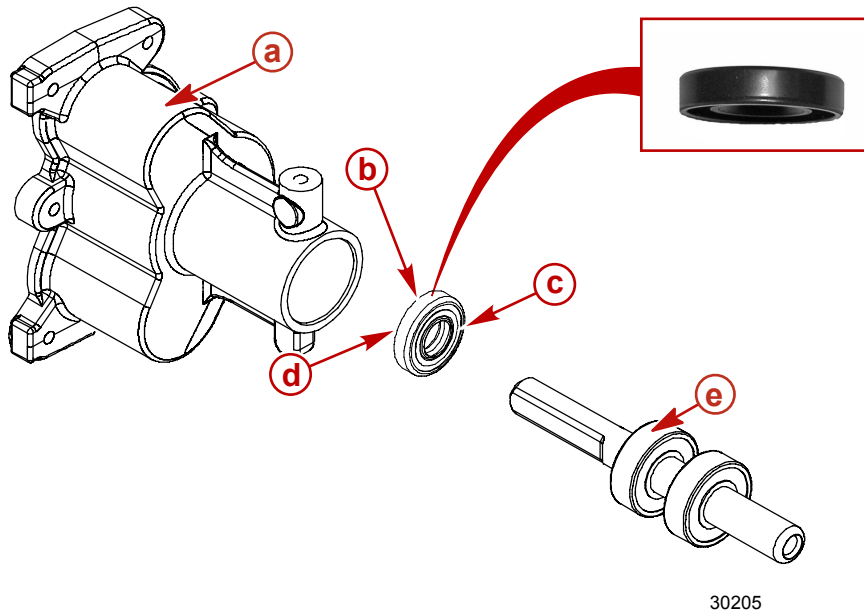


Rear oil seal with grooved outside diameter (part number 26-8M2001645)

- a - Back of seal (spring side)
- b - Grooved outside diameter
- c - Front of seal

Installation—Seal With Smooth Outside Diameter

Orient the front of the seal (part number 26-862037) with the smooth outside diameter as shown, toward the shaft bearing.



Orientation of the rear oil seal with the smooth outside diameter

- a - Seawater pump impeller housing
- b - Smooth outside diameter of rear oil seal
- c - Front of rear oil seal
- d - Back of seal (spring side)
- e - Shaft bearing

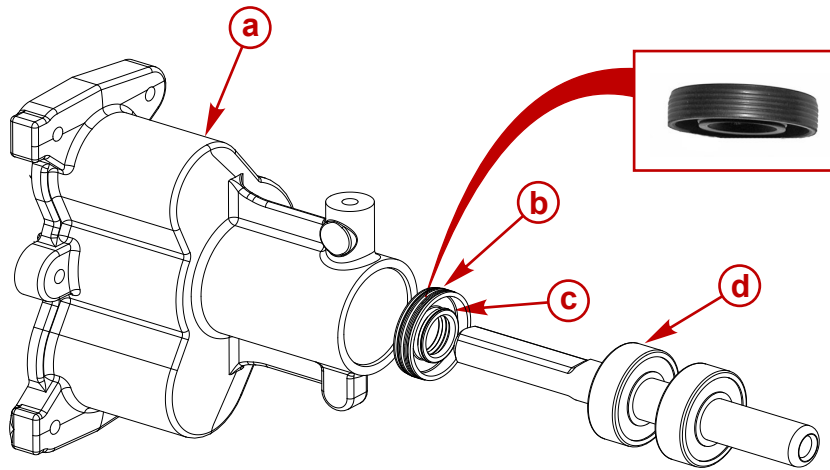
Refer to the appropriate Mercury MerCruiser service manual for complete installation procedure.

THE INFORMATION IN THIS DOCUMENT IS CONFIDENTIAL AND PROTECTED BY COPYRIGHT AND IS THE PROPERTY OF MERCURY MARINE.

This document is provided for the sole and exclusive use of the original recipient as prescribed by Mercury Marine and may not be distributed or copied, digitally or otherwise, without the prior written consent of Mercury Marine.

Installation—Seal With Grooved Outside Diameter

Orient the back of the rear oil seal (part number 26-8M2001645) as shown, with the grooved outside diameter toward the shaft bearing.



30206

Orientation of the rear oil seal with the grooved outside diameter

- a** - Seawater pump impeller housing
- b** - Grooved outside diameter of rear oil seal
- c** - Back of rear oil seal (spring side)
- d** - Shaft bearing

Refer to the appropriate Mercury MerCruiser service manual for complete installation procedure.

Special Tools Required

Description	Part Number
Kent Moore Seapump pulley remover	J-21239
Pulley Pusher Installer	91-93656A1
<p>10047</p>	Installs the pulley onto the power steering pump.

THE INFORMATION IN THIS DOCUMENT IS CONFIDENTIAL AND PROTECTED BY COPYRIGHT AND IS THE PROPERTY OF MERCURY MARINE.

This document is provided for the sole and exclusive use of the original recipient as prescribed by Mercury Marine and may not be distributed or copied, digitally or otherwise, without the prior written consent of Mercury Marine.