

Circulate to: Sales Manager Accounting Service Manager Technician Parts Manager

New Perma-Lube Gimbal Bearing for Alpha and Bravo Transoms

Models Affected

MerCruiser Transom assemblies with the serial numbers listed are produced with perma-lube gimbal bearings.

Models Covered	Serial Number Range
Alpha transom	1A180260 and above
Bravo transom	1A429507 and above
Sea Core transom	1A433306 and above
Vazer transom	0W755000 and above

Situation

MerCruiser transom assemblies are now equipped with a sealed, permanently lubricated (perma-lube) gimbal bearing that does not require maintenance lubrication. Current production transoms use the perma-lube gimbal bearing and do not require the grease fitting on the gimbal housing or the grease retention seal in front of the gimbal bearing. The specified perma-lube gimbal bearing is the replacement gimbal bearing type for all transoms. Replacement perma-lube gimbal bearings come with a special plug to replace the grease fitting. When replacing a lube-style gimbal bearing with a perma-lube bearing, it is necessary to remove the grease fitting from the transom and install the special plug.

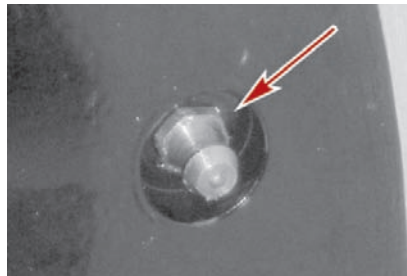
Ordering Parts

To order replacement gimbal bearings, use the Electronic Parts Catalog and enter the sterndrive serial number. New perma-lube gimbal bearing part numbers will automatically supersede the lube-style gimbal bearing part numbers.

Description	Previous Part	New Part
R/MR/Alpha One, early Alpha One (Gen II), and early Bravo transoms	30-60794A4	30-879194A02
Later Alpha One (Gen II), later Bravo, and Bravo X/XR/XZ transoms	30-862540A3	30-879194A01
Vazer transoms	30-862540A04	30-879194A01

Correction

1. Remove the grease fitting from the starboard side of the gimbal housing.



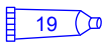
42495

THE INFORMATION IN THIS DOCUMENT IS CONFIDENTIAL AND PROTECTED BY COPYRIGHT AND IS THE PROPERTY OF MERCURY MARINE.


This document is provided for the sole and exclusive use of the original recipient as prescribed by Mercury Marine and may not be distributed or copied, digitally or otherwise, without the prior written consent of Mercury Marine.

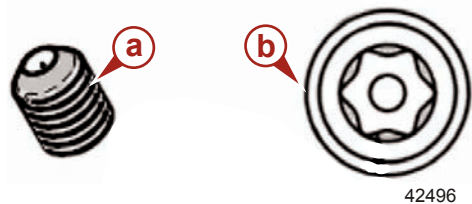
New Perma-Lube Gimbal Bearing for Alpha and Bravo Transoms

- Apply sealant to the threads of the grease passage plug.

Tube Ref No.	Description	Where Used	Part No.
 19	Perfect Seal	Grease passage plug	92-34227 1

- Use the special tool to install the grease passage plug. Tighten securely.

Description	Part Number
Bit, TORX® tamper-resistant T20	Snap-On part number TTXR20E2
 38985	Drives tamper-resistant size T20 TORX plug



- a - Grease passage plug 8M2015913 1/4-28 UNRF
- b - T20 TORX tamper-resistant recess

Perma-Lube Gimbal Bearings

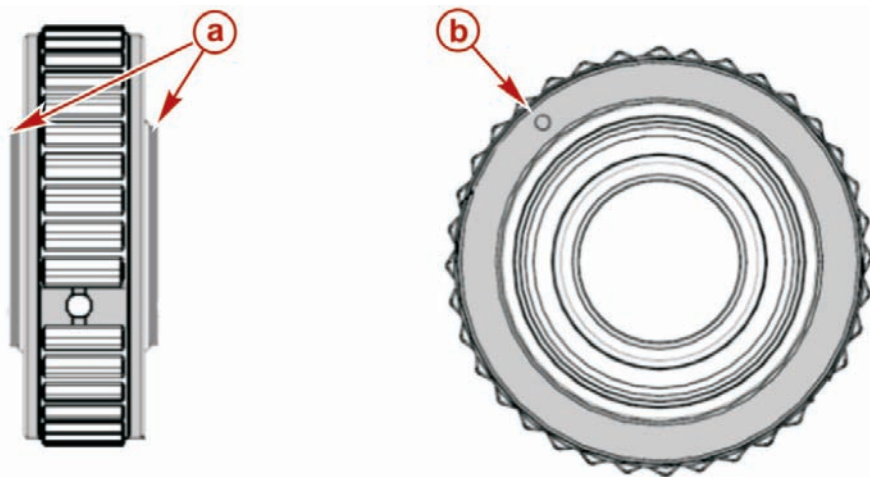
IMPORTANT: When installing the gimbal bearing, the identifying dot on the gimbal bearing should be positioned at 10 o'clock as viewed from the stern.

NOTE: Transom assemblies with perma-lube gimbal bearings do not require a grease retention seal in front of the gimbal bearing. However, when installing a new perma-lube bearing, it is not necessary to remove the seal from transoms that have the seal installed.

NOTE: Refer to the appropriate MerCruiser service manual for gimbal bearing replacement instructions.

Identification

NOTE: Used on R/MR/Alpha One, Alpha One (Gen II) and Bravo Transoms

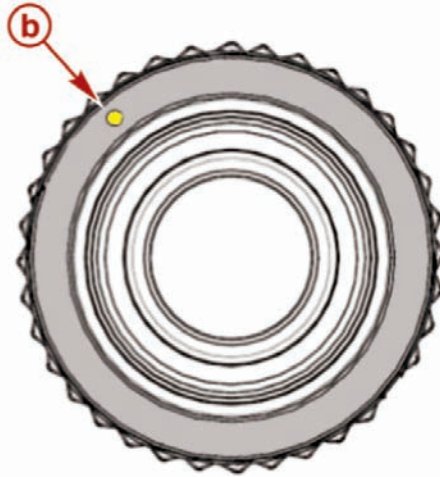


- a - Center race is the same on both sides
- b - Plain dot, greaseable gimbal bearing

42383

THE INFORMATION IN THIS DOCUMENT IS CONFIDENTIAL AND PROTECTED BY COPYRIGHT AND IS THE PROPERTY OF MERCURY MARINE.

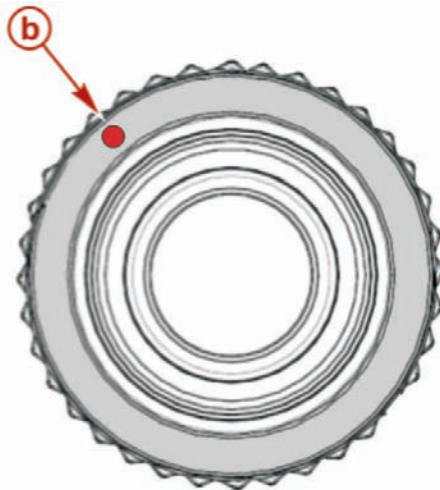
This document is provided for the sole and exclusive use of the original recipient as prescribed by Mercury Marine and may not be distributed or copied, digitally or otherwise, without the prior written consent of Mercury Marine.



- a** - Center race is the same on both sides
- b** - Yellow dot, perma-lube gimbal bearing

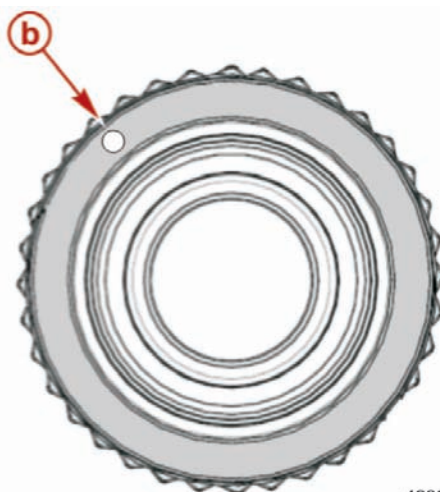
42384

IMPORTANT: The gimbal bearing inner race thickness changed to accommodate the larger U-Joint used in the X, XZ and XR Bravo Drives. If an X, XZ or XR drive is installed on a transom with the thicker gimbal bearing, interference will occur between the U-Joint and the bearing. Either one or both components will fail.



- a** - 0.090 removed for Bravo X, XR and XZ drives
- b** - Red dot, greaseable gimbal bearing

42380



- a** - 0.090 removed for Bravo X, XR and XZ drives
- b** - White dot, perma-lube gimbal bearing

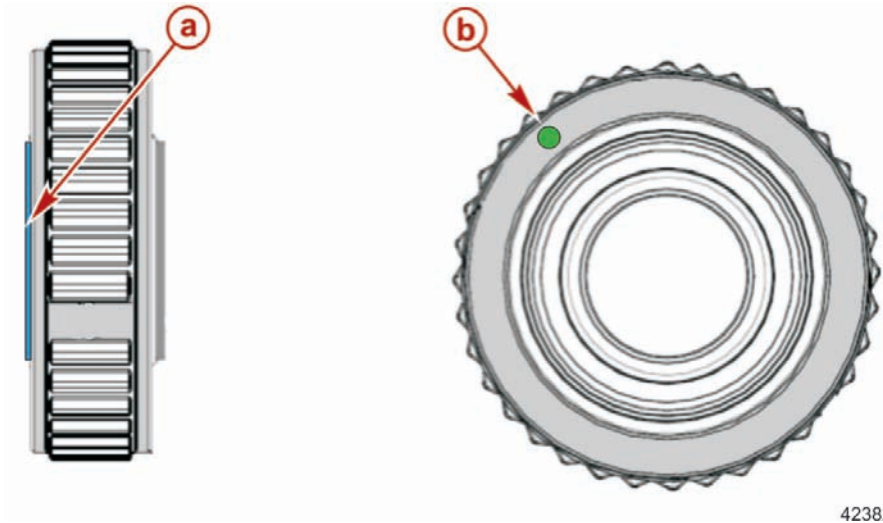
42381

THE INFORMATION IN THIS DOCUMENT IS CONFIDENTIAL AND PROTECTED BY COPYRIGHT AND IS THE PROPERTY OF MERCURY MARINE.

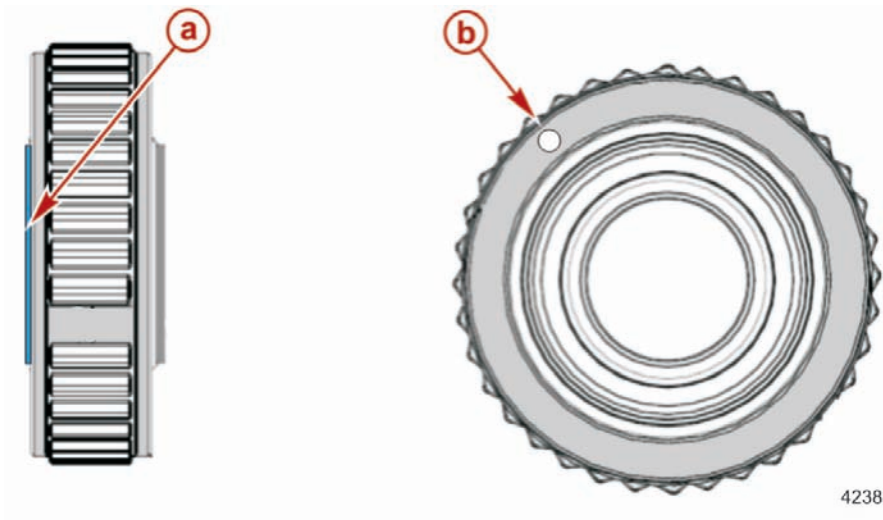
This document is provided for the sole and exclusive use of the original recipient as prescribed by Mercury Marine and may not be distributed or copied, digitally or otherwise, without the prior written consent of Mercury Marine.

New Perma-Lube Gimbal Bearing for Alpha and Bravo Transoms

NOTE: Used on Vazer Transom



- a** - 0.090 removed for Vazer transom
- b** - Green dot, perma-lube gimbal bearing



- a** - 0.090 removed for Vazer transom
- b** - White dot, perma-lube gimbal bearing (replaces a perma-lube gimbal bearing with a green dot)

THE INFORMATION IN THIS DOCUMENT IS CONFIDENTIAL AND PROTECTED BY COPYRIGHT AND IS THE PROPERTY OF MERCURY MARINE.

This document is provided for the sole and exclusive use of the original recipient as prescribed by Mercury Marine and may not be distributed or copied, digitally or otherwise, without the prior written consent of Mercury Marine.