



# Service Bulletin

Bulletin No. 2009-61  
CMD 2009-01

Circulate to:  Sales Manager  Accounting  Service Manager  Technician  Parts Manager

## Zeus HH to IH Model Changes

### Models Affected

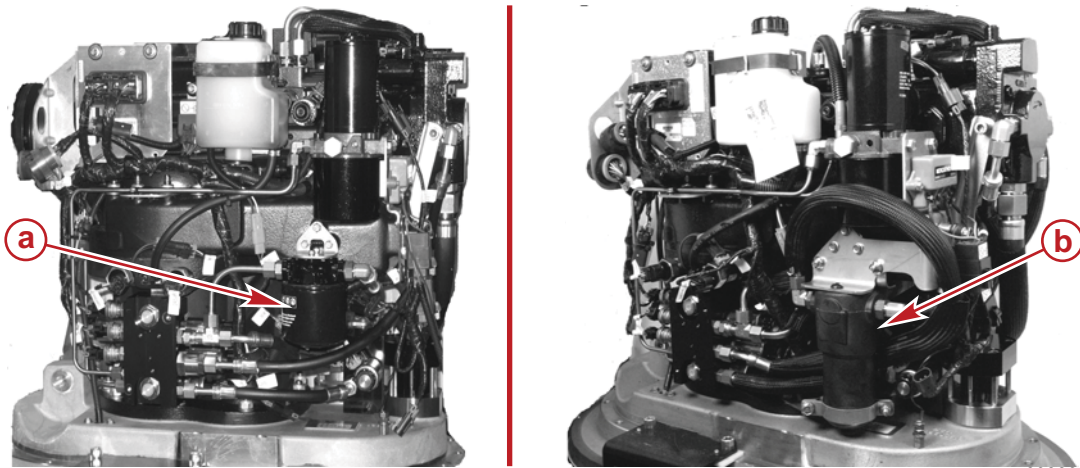
Model	Serial Number Range
HH	0M960005 to 0M960196
IH	0M962258 and above

### Situation

During the fourth quarter of 2008, Cummins MerCruiser Diesel (CMD) made several changes to production Zeus drives, enhancing product durability and ease of service. The publication of updated service manual information is scheduled for the end of February 2009.

These changes correspond to a model identification change from HH models to IH models and include:

**Replacing the low-pressure hydraulic oil filter system with a high-pressure hydraulic oil filter system**



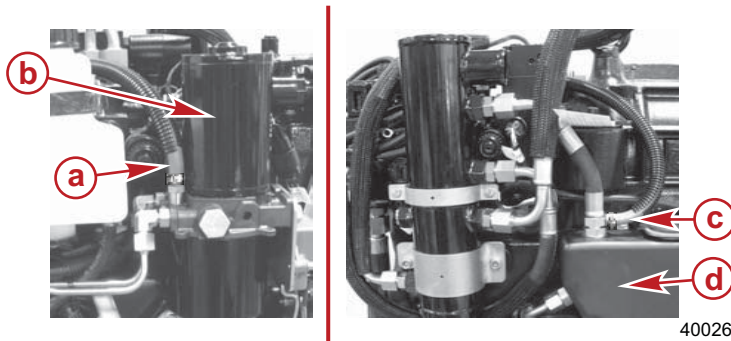
**a** - HH model (low-pressure hydraulic oil filter)

**b** - IH model (high-pressure hydraulic oil filter)

THE INFORMATION IN THIS DOCUMENT IS CONFIDENTIAL AND PROTECTED BY COPYRIGHT AND IS THE PROPERTY OF MERCURY MARINE.

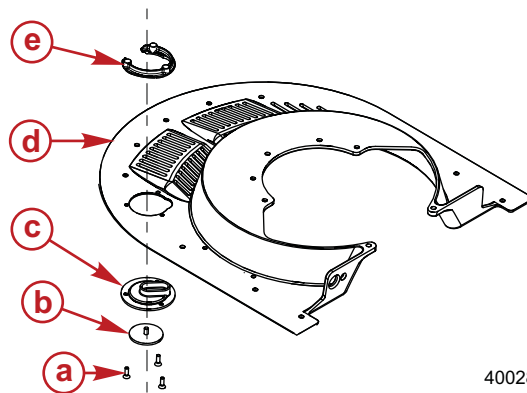
This document is provided for the sole and exclusive use of the original recipient as prescribed by Mercury Marine and may not be distributed or copied, digitally or otherwise, without the prior written consent of Mercury Marine.

### Adding a hydraulic oil return hose to the steering backup pump system



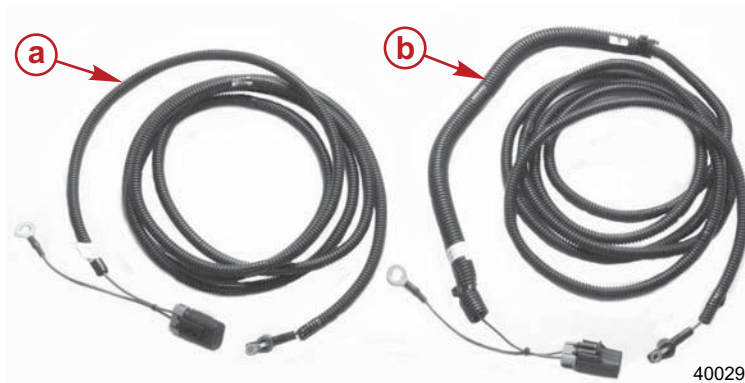
- a** - Return hose (port side connection)
- b** - Steering backup pump
- c** - Return hose (starboard connection)
- d** - Hydraulic oil reservoir

### Adding a MerCathode anode backing plate



- a** - Screw
- b** - Anode
- c** - Retainer
- d** - Cover
- e** - New backing plate

### Introducing a MerCathode controller harness for both 12 volt and 24 volt applications

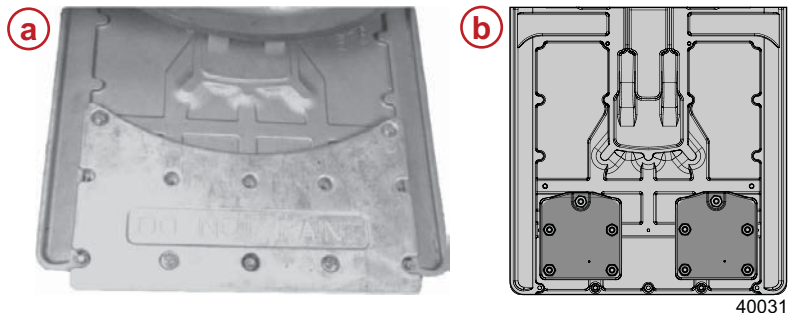


- a** - MerCathode controller harness—12 volt
- b** - MerCathode controller harness—24 volt

THE INFORMATION IN THIS DOCUMENT IS CONFIDENTIAL AND PROTECTED BY COPYRIGHT AND IS THE PROPERTY OF MERCURY MARINE.

This document is provided for the sole and exclusive use of the original recipient as prescribed by Mercury Marine and may not be distributed or copied, digitally or otherwise, without the prior written consent of Mercury Marine.

### Improving the trim tab anode plate design



- a** - HH model 4 screw design
- b** - IH model twin plate design

### An optional drive cover for appropriate applications



## Kit Information

Field upgrade service kits are available for HH model drives.

THE INFORMATION IN THIS DOCUMENT IS CONFIDENTIAL AND PROTECTED BY COPYRIGHT AND IS THE PROPERTY OF MERCURY MARINE.

This document is provided for the sole and exclusive use of the original recipient as prescribed by Mercury Marine and may not be distributed or copied, digitally or otherwise, without the prior written consent of Mercury Marine.