

Circulate to:  Sales Manager  Accounting  Service Manager  Technician  Parts Manager

## MerCruiser Transom Plate Rear Engine Mount Support and Rubber Isolator Design Change

### Models Affected

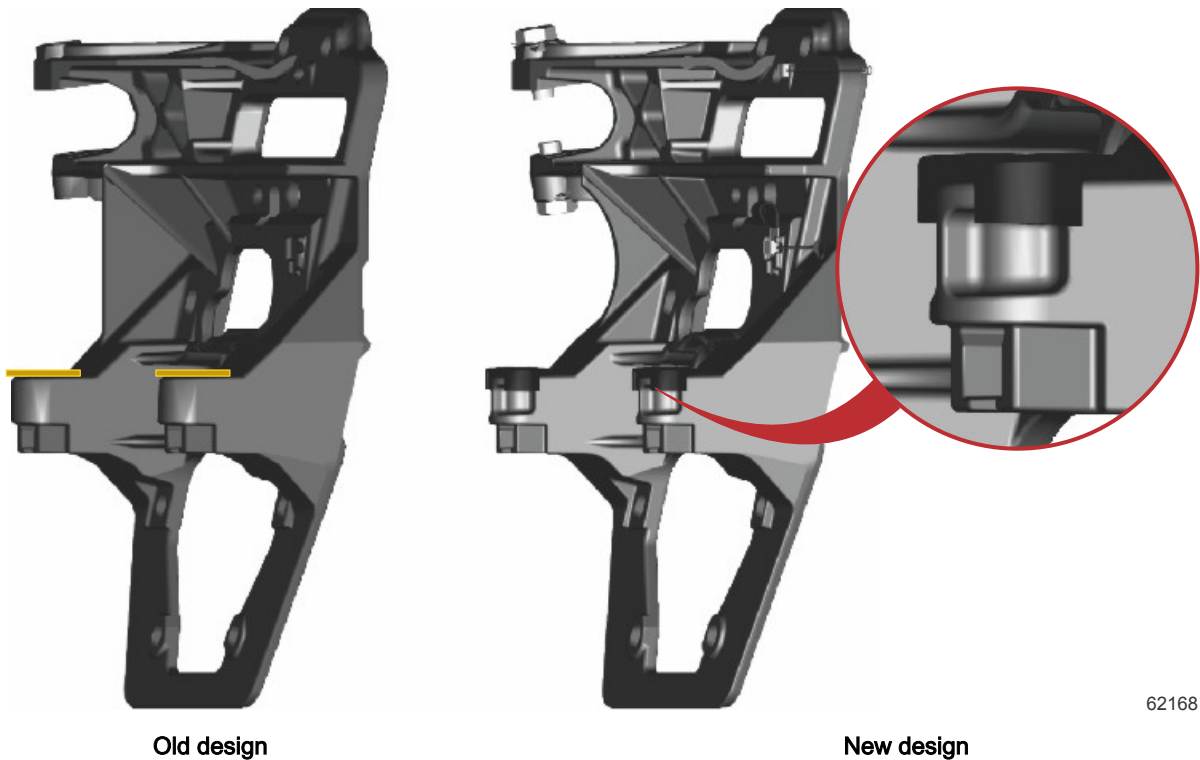
Models Covered	Serial Number
MerCruiser Transom Assemblies	2A494653 and above

### Scope

Worldwide

### Situation

MerCruiser transom assemblies are now equipped with rubber isolators installed on the rear engine mount supports of the inner transom plate. The new rubber isolators are included with each transom plate or transom assembly and will backfit to transom plates with the new design. Mercury will continue to support older designs with replacement parts.

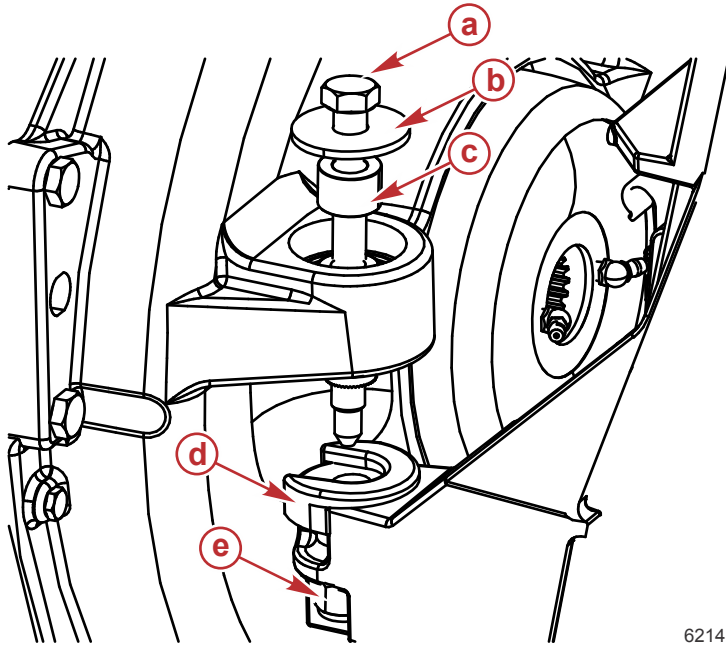


62168

THE INFORMATION IN THIS DOCUMENT IS CONFIDENTIAL AND PROTECTED BY COPYRIGHT AND IS THE PROPERTY OF MERCURY MARINE.

This document is provided for the sole and exclusive use of the original recipient as prescribed by Mercury Marine and may not be distributed or copied, digitally or otherwise, without the prior written consent of Mercury Marine.

Refer to the installation manual included with each engine for engine and transom assembly installation, and engine alignment procedures.



**Rear engine mount with isolator**

- a** - Screw (2)
- b** - Washer (2)
- c** - Spacer (2)
- d** - Isolator (2)
- e** - Nut (2)

62143

THE INFORMATION IN THIS DOCUMENT IS CONFIDENTIAL AND PROTECTED BY COPYRIGHT AND IS THE PROPERTY OF MERCURY MARINE.

This document is provided for the sole and exclusive use of the original recipient as prescribed by Mercury Marine and may not be distributed or copied, digitally or otherwise, without the prior written consent of Mercury Marine.