

Circulate to:  Sales Manager  Accounting  Service Manager  Technician  Parts Manager

## 3000 Series Zeus Skeg Kit

### NOTICE

Revised January 2015. This bulletin supersedes the previous MerCruiser bulletin number 2012-08 September 2012.

### Models Affected

#### Models Covered

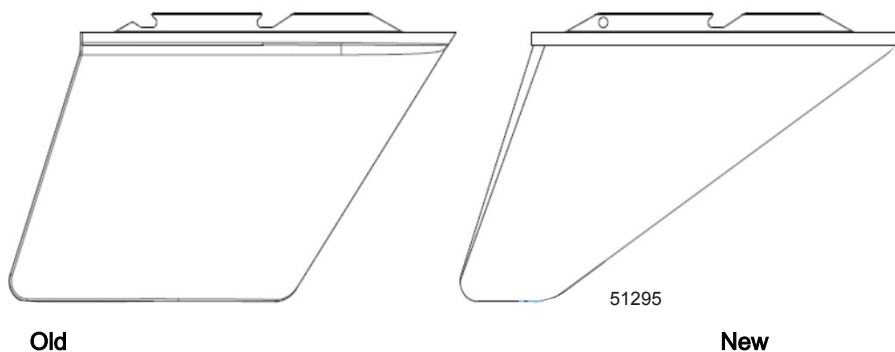
HH, IH, and JH pods

### Scope

Worldwide

### Situation

To resolve instances of skegs falling off due to the pin becoming loose and falling out, the Zeus 3000 skeg and pin have been redesigned to provide for improved retention. The angle of the leading edge of the skeg has been increased, and the pin has been changed from a roll pin to a solid pin design. This new skeg was implemented on pod serial number 0M968382.



### Part Interchangeability

Skeg kit fits all HH, IH, and JH series pods.

### Parts Required

- Kit number 8M0072969.
- Includes skeg, two pins, and instruction sheet.
- Kit supersedes 879345T57.

### Warranty

This information is furnished to advise of a product change. If a skeg is found to be missing, standard warranty policy applies.

THE INFORMATION IN THIS DOCUMENT IS CONFIDENTIAL AND PROTECTED BY COPYRIGHT AND IS THE PROPERTY OF MERCURY MARINE.

This document is provided for the sole and exclusive use of the original recipient as prescribed by Mercury Marine and may not be distributed or copied, digitally or otherwise, without the prior written consent of Mercury Marine.