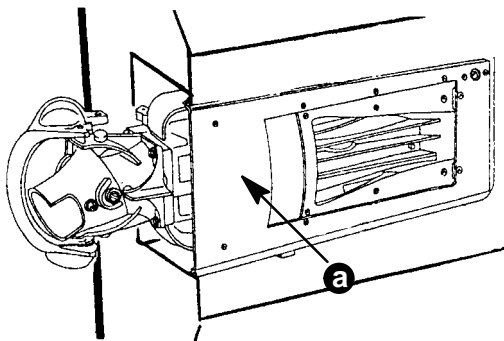


RIDE PLATE DAMAGE-SPORT JET 90

There have been reports from the field on damaged ride plates on the Sport Jet 90. The damage is occurring because of engine backfire.

The problem occurs when the engine is flooded and then the engine is started without any water circulating through the cooling system. The vapors from the fuel in the exhaust area ignite (backfire) when the engine starts. The sudden pressure in the pump exhaust can bend the ride plate.

The same test was conducted many times with water flowing through the cooling system. With water the backfire situation was eliminated. To prevent this situation from occurring ALWAYS have the boat in the water or use the dealer flushing kit (Part Number 22-820573) before attempting to start the engine. Damage from backfire is NOT covered by warranty.



Bottom of boat

a- Ride Plate