

WARRANTY INFORMATION

SERVICE INFORMATION

Bulletin No. 2002-18

PARTS INFORMATION

Circulate to:  Sales Manager  Accounting  Service Manager  Technician  Parts Manager

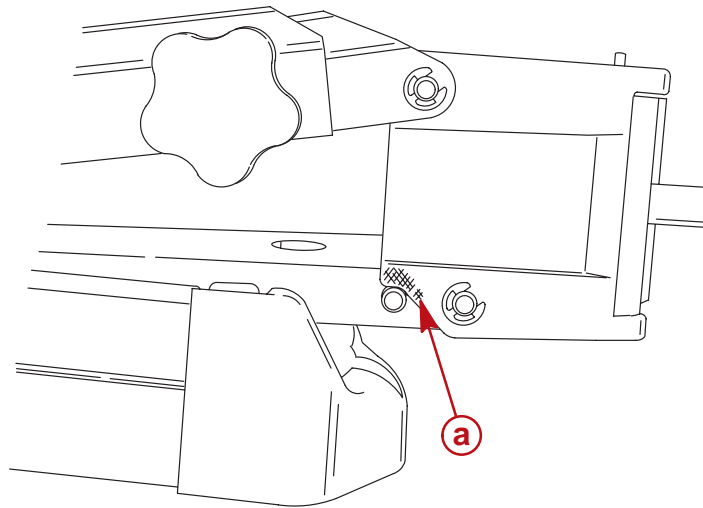
## Paint Wear

### Models Affected

MST9205BF, MST9235BF

### Situation

If a 20.5 or 23.5 Gator Breakaway Bracket mount is in the stow position, the bolt head (MRK02503) will rub paint off of the bracket.



**a** - Paint wear

0029€

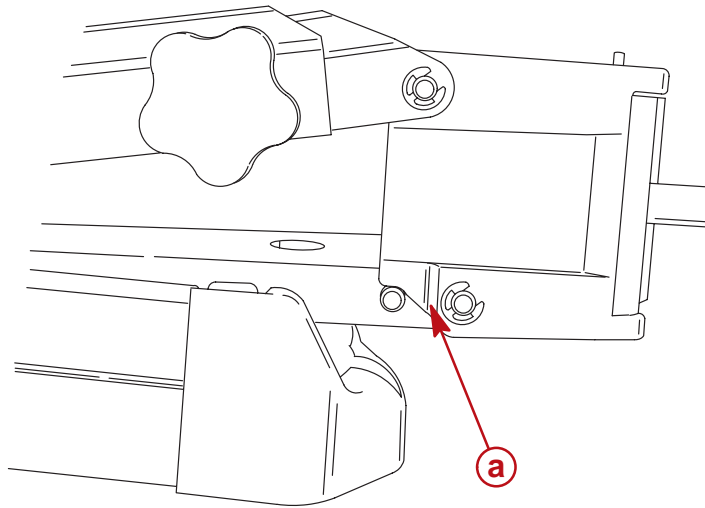
THE INFORMATION IN THIS DOCUMENT IS CONFIDENTIAL AND PROTECTED BY COPYRIGHT AND IS THE PROPERTY OF MOTORGUIDE.

This document is provided for the sole and exclusive use of the original recipient as prescribed by MotorGuide and may not be distributed or copied, digitally or otherwise, without the prior written consent of MotorGuide.

---

## Correction

Replace with bracket of the new design.



0030C

**a** - Newly designed part

## Parts Required

Qty: 1      MRK01108 (Black)      MRK01109 (White)

## Warranty

Credit will be issued to dealers for the cost of parts and labor through October 31, 2005. Submit a warranty claim through your normal warranty processing channel, listing:

- Trolling motor model number and serial number
- Quantity and part numbers of parts used
- Flat Rate Codes      SB05      0.5 hour
- Part Code              851
- Failure Code            27

**USA and Canada** – Tag and hold all old parts until 30 days after credit issued or until notified to return them.

**International** – Follow instructions for old parts disposition issued by the Marine Power International office or by your distributor.

---

THE INFORMATION IN THIS DOCUMENT IS CONFIDENTIAL AND PROTECTED BY COPYRIGHT AND IS THE PROPERTY OF MOTORGUIDE.

This document is provided for the sole and exclusive use of the original recipient as prescribed by MotorGuide and may not be distributed or copied, digitally or otherwise, without the prior written consent of MotorGuide.