

Circulate to:  Sales Manager  Accounting  Service Manager  Technician  Parts Manager

## Drum Coupling Change

### Models Affected

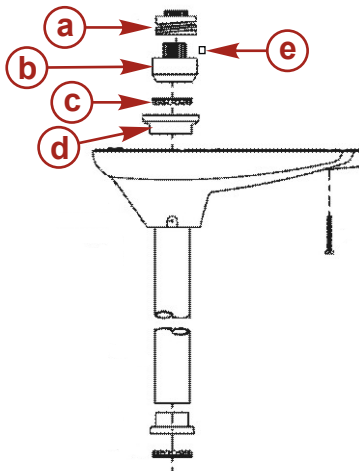
All Four edition models with the old style drum coupling.

### Situation

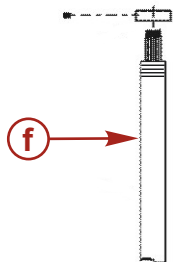
Drum coupling part number MFM06402T is no longer available. The old style drum coupling was secured to the column shaft with a rivet. The new style drum coupling is threaded onto the column shaft and secured with a set screw.

### Replacement Instructions

If drum coupling part number MFM06402T requires replacement, a new drum coupling with a set screw, roller bearing, bearing cup, drum control, and threaded column must be installed. Refer to the appropriate service manual for installation instructions.



- a - Drum control
- b - Drum coupling
- c - Bearing
- d - Bearing cup
- e - Set screw
- f - Threaded column



43525

### Parts Required

Refer to the following chart for part replacement or consult the Mercury Electronic Parts Catalog.

THE INFORMATION IN THIS DOCUMENT IS CONFIDENTIAL AND PROTECTED BY COPYRIGHT AND IS THE PROPERTY OF MERCURY MARINE.

This document is provided for the sole and exclusive use of the original recipient as prescribed by Mercury Marine and may not be distributed or copied, digitally or otherwise, without the prior written consent of Mercury Marine.

## Drum Coupling Change

Qty.	Description	Part Number
1	Drum control	879330T60
1	Set screw (0.250-20 x 0.312) (hex socket head)	10-M899381T
1	Drum coupling	879330T59
1	Ball bearing	MFM00502T
1	Bearing cup	879330T58
1	Threaded column	MAF049__1.

1. Order the correct length threaded column for the application.

THE INFORMATION IN THIS DOCUMENT IS CONFIDENTIAL AND PROTECTED BY COPYRIGHT AND IS THE PROPERTY OF MERCURY MARINE.

This document is provided for the sole and exclusive use of the original recipient as prescribed by Mercury Marine and may not be distributed or copied, digitally or otherwise, without the prior written consent of Mercury Marine.