

Circulate to: Sales Manager Accounting Service Manager Technician Parts Manager

Bow Mount Hand Operated Door Correction

Models Affected

The following trolling motor assemblies are affected:

End Item Model Part Number	Description
924410050	SW82HBD 50" 21R
924410060	SW82HBD 60" 24R
924410070	SW109HBV 50" 21R
924410080	SW109HBV 60" 24R
923410020	FW109HBD 50" 21

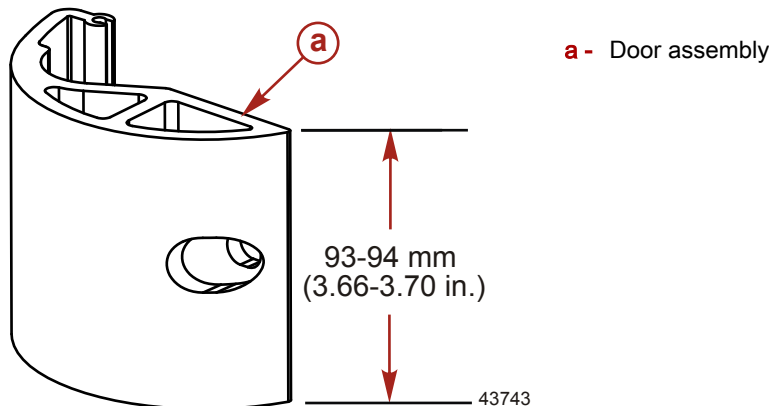
Mount Assembly Part Number	Description
8M4002191	21 Gator HB
8M4002195	SW 21R
8M4002196	SW 24R

Situation

We have received reports of customers not being able to install a hand operated trolling motor into their mounts. A dimensional error on the length of the door assembly will not allow the door to close over the friction tube. **All product shipped from Attwood Marine after February 14, 2010 will have the correct door assembly.** Only product with the above listed part numbers shipped prior to February 14, 2010 may need replacement doors.

Replacement Instructions

Measure the vertical length of the door assembly. The specified length of the door should be 93–94 mm (3.66–3.70 in.). Refer to the appropriate service manual for disassembly and assembly instructions.



THE INFORMATION IN THIS DOCUMENT IS CONFIDENTIAL AND PROTECTED BY COPYRIGHT AND IS THE PROPERTY OF MERCURY MARINE.

This document is provided for the sole and exclusive use of the original recipient as prescribed by Mercury Marine and may not be distributed or copied, digitally or otherwise, without the prior written consent of Mercury Marine.

Parts Required

Order the correct color door assembly.

Door Assembly Part Number	Description
8M0046083	White door
8M0046162	Black door

Warranty

MotorGuide will credit the dealer for the cost of parts and labor. Complete a warranty claim providing:

- Model and serial number of the trolling motor
- Proof of purchase
- Labor: 0.3 hours
- Warranty flat rate code: SB03
- Part code: 903
- Failure code: 00

United States and Canada

Complete and process the claim via MercNET or return a warranty claim form. Mail to:

Mercury Marine
P. O. Box 1939
Fond du Lac, Wisconsin 54936
Fax +1 920 929 5893

International

Follow instructions issued by the Marine Power International office or by an authorized Marine Power Distributor.

THE INFORMATION IN THIS DOCUMENT IS CONFIDENTIAL AND PROTECTED BY COPYRIGHT AND IS THE PROPERTY OF MERCURY MARINE.

This document is provided for the sole and exclusive use of the original recipient as prescribed by Mercury Marine and may not be distributed or copied, digitally or otherwise, without the prior written consent of Mercury Marine.