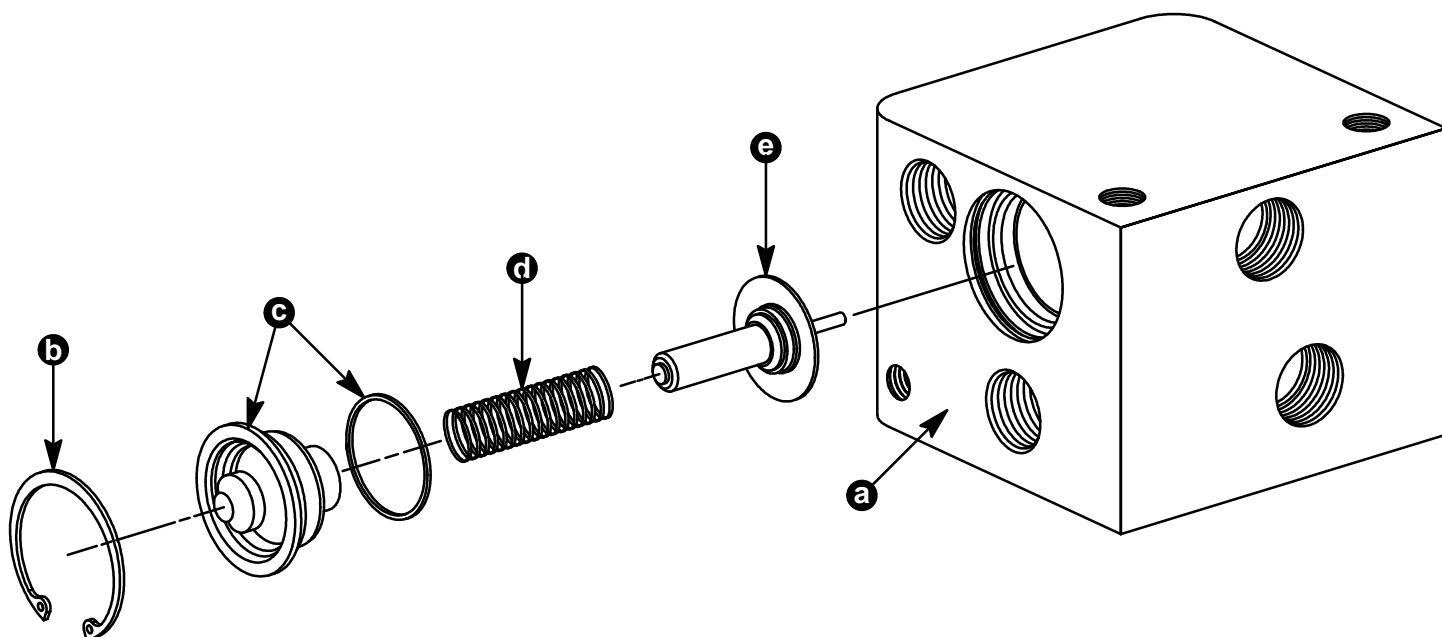


TO: SERVICE MANAGER MECHANICS
PARTS MANAGER

Changing Oil Thermostat on Hi-Performance Engines

Removal

1. The thermostat cover is spring loaded so it will be necessary to push down on the cover to remove the retaining snap ring. Remove snap ring with snap ring pliers. Remove thermostat cover, spring, and thermostat.



- a - Oil Filter/Thermostat Housing
- b - Thermostat Snap Ring
- c - Thermostat Cover and O-ring
- d - Thermostat Spring
- e - Oil Thermostat

Installation

1. Insure that housing and all components are clean before installation.
2. Install oil thermostat into housing with thin rod on thermostat going into housing first.
3. Install spring into housing over thermostat.
4. Install o-ring onto thermostat cover. Apply a light coating of engine oil to o-ring and install cover assembly into housing. Hold the cover down below the snap ring groove and install snap ring (beveled side facing cover) with snap ring pliers.