

TO: SERVICE MANAGER  MECHANICS   
PARTS MANAGER

**REVISED**  
**5-97**

**No. 97-5**

## Bravo One Performance Drive

### MODELS AFFECTED

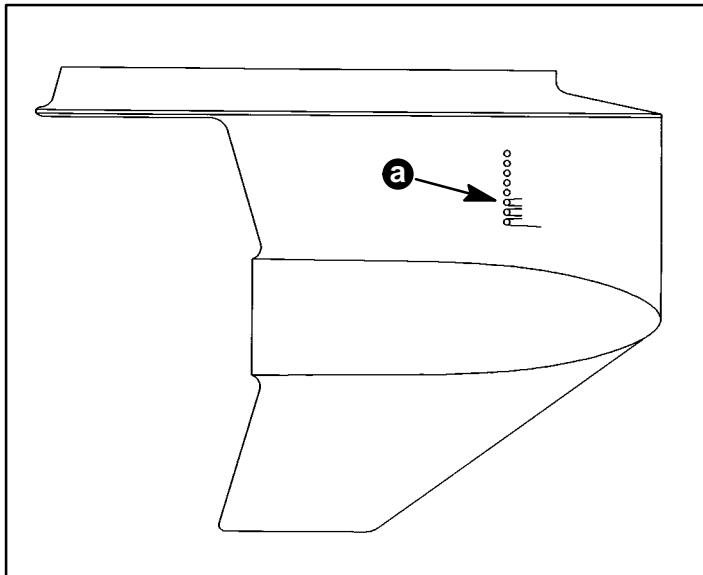
1998 High Performance MerCruiser Bravo Engine Packages (500/ 500 Bulldog/ 525 SC) will have low water pickup.

### BENEFITS

1. All internal parts are interchangeable between Bravo 1 Standard and Bravo 1 Performance gearcases
2. May increase water flow and water pressure to engine.
3. May work better with stepped hulls.

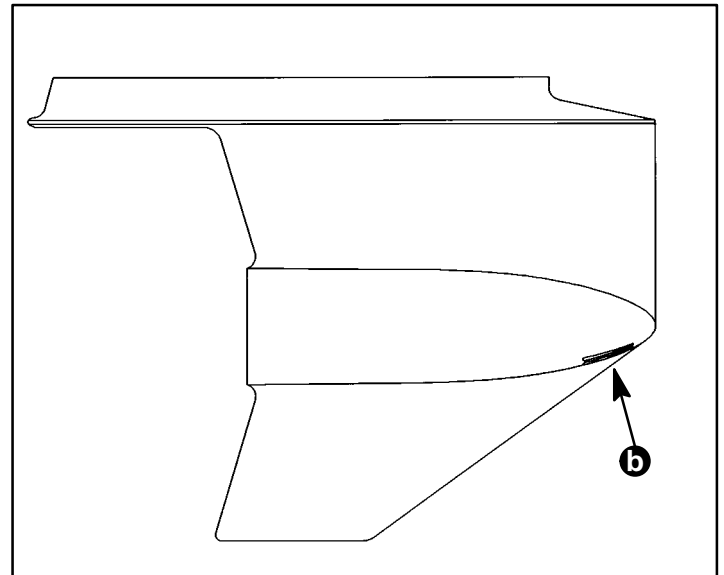
### IDENTIFICATION

- Bravo One Standard gearcases incorporate side strut water pickup (above torpedo).
- Bravo One Performance gearcases incorporate low water pickup (below torpedo).



**A - Side Strut Water Pickup**

(Bravo One Standard)



**B - Low Water Pickup**

(Bravo One Performance)

**IMPORTANT: Do not mix lower water pickup gearcases with side strut pickup gearcases on the same boat.**

### PART NUMBERS OF COMPLETE BRAVO ONE PERFORMANCE DRIVE

Bravo One Performance Drive 1.36:1 ratio 5-5C31100LP

Bravo One Performance Drive 1.50:1 ratio 5-5C31200LP

Bravo One Performance Drive 1.65:1 ratio 5-5C31300LP

**Note:** The 1.65:1 ratio is not offered as an end model with Hi-Performance packages.