



# service bulletin

WARRANTY INFORMATION

SERVICE INFORMATION

Sterndrive No. 2002-08

PARTS INFORMATION

OEM No. 2002-05

Circulate to:  Sales Manager  Accounting  Service Manager  Technician  Parts Manager

## Official Notification U.S. Federal Boat Safety Act

## Throttle Body Fuel Line Replacement

### Models Affected

Mercury Racing 575 SCi Sterndrive products in the serial number range 0M900000 through 0M900210.

Only engines in the above serial number group are affected by this recall.

### Situation

The fuel line going to the throttle bodies on some 575 SCi engines (in the above serial number group) could leak fuel. The fuel line being replaced is a one piece blue Y line that connects to the throttle bodies.

### Correction

Replace the existing one piece blue Y fuel line assembly with the new three piece assembly. **Only the one piece fuel lines on the engines in the above serial number group need replacing.**

### Owner Notification

A letter will be sent to every registered owner of an affected 575 SCi Sterndrive. The letter will advise the owner to return their 575 SCi(s) to their selling dealer or any Mercury MerCruiser authorized dealer for replacement of the fuel line. You as the selling or servicing dealer should also contact your customers to make them aware of this recall and to schedule an appointment for this repair.

THE INFORMATION IN THIS DOCUMENT IS CONFIDENTIAL AND PROTECTED BY COPYRIGHT AND IS THE PROPERTY OF MERCURY MARINE.

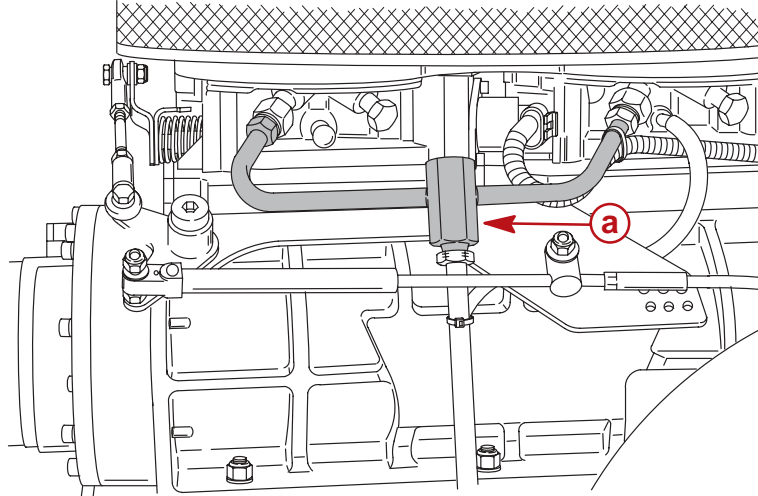
This document is provided for the sole and exclusive use of the original recipient as prescribed by Mercury Marine and may not be distributed or copied, digitally or otherwise, without the prior written consent of Mercury Marine.

## Dealer Inventory

All 575 SCi engines in dealer inventory affected by this bulletin **MUST BE** updated with the new fuel line kit prior to customer delivery.

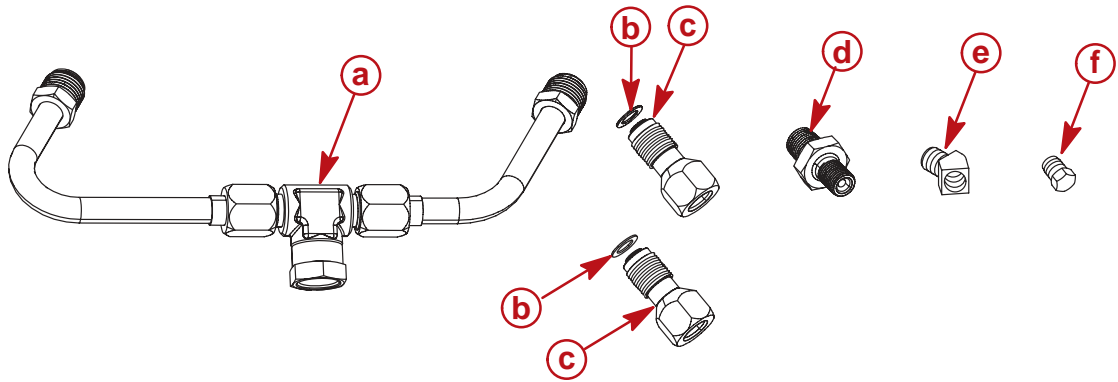
## Fuel Line Identification for Replacement

Replace blue one piece fuel line assemblies on engines in the affected serial number range.



**a** - One piece blue fuel line Y assembly

## COMPONENTS OF FUEL LINE 32-843195A02 KIT



- a** - Three piece fuel line assembly
- b** - Sealing washer
- c** - Adapter fittings
- d** - Schrader valve
- e** - 45° elbow fitting
- f** - Plug

## REMOVAL AND REPLACEMENT OF FUEL LINE

Follow instructions provided with the kit.

THE INFORMATION IN THIS DOCUMENT IS CONFIDENTIAL AND PROTECTED BY COPYRIGHT AND IS THE PROPERTY OF MERCURY MARINE. This document is provided to be used for solely and exclusively by the original recipient and as prescribed by Mercury Marine and may not be distributed or copied, digitally or otherwise, without the prior written consent of Mercury Marine.

## Warranty

### USA & CANADA

Submit a warranty claim through your normal warranty processing channel listing:

- Engine serial number
- Qty.1 P/N 32-843195A02 Fuel line kit
- 1 (1.0) hour labor
- Warranty labor rate code - PF15 (use this code two times)
- Part code - 713
- Failure code - 00

Return the one piece blue fuel line assembly with an attached tag listing the engine serial number and your dealer number to:

Mercury Racing  
Attn: Fuel Line Recall  
N7480 County Road UU  
Fond du Lac, WI 54935

### INTERNATIONAL

Follow instructions issued by Marine Power International office or by your distributor.

THE INFORMATION IN THIS DOCUMENT IS CONFIDENTIAL AND PROTECTED BY COPYRIGHT AND IS THE PROPERTY OF MERCURY MARINE.

This document is provided to be used for solely and exclusively by the original recipient and as prescribed by Mercury Marine and may not be distributed or copied, digitally or otherwise, without the prior written consent of Mercury Marine.