

OEM No. 2004-02

Sterndrive No. 2004-02

Circulate to: Sales Manager Accounting Service Manager Technician Parts Manager

▲ Revised November 2004. This bulletin supersedes the previous bulletin 2004-02 September 2004.

Bravo I XR and XZ Drain Plug

Models Affected

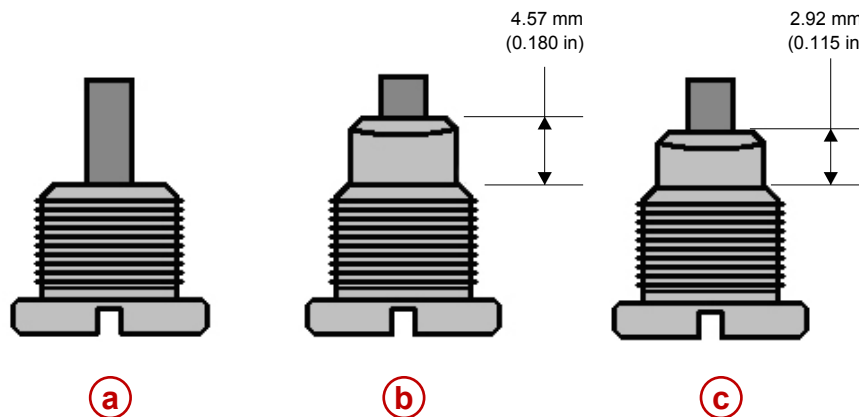
▲ All Bravo One XR and XZ gearcases that use the blue billet bearing carrier with serial numbers between 0W240000 and 0W240200. Bravo One SportMaster XR gearcases are not affected by this bulletin.

Situation

All Bravo One XR or XZ drives with blue billet bearing carriers leak drive oil as a result of a new magnetic fill/drain plug (22-67892A05), which makes contact with the bearing carrier before it seats and seals the plug gasket.

Correction

Install fill/drain plug 22-67892A1. The current 22-67892A05 fill/drain plug is acceptable to use in all Alpha, Bravo I, and Bravo "X" models. A shorter version of the 22-67892A05 fill/drain plug (new part number 22-67892A06) will be available in the future to fit all applications. See the following illustrations of the three fill/drain plug designs.



- a** - Fill/drain plug 22-67892A1
Replacement for 22-67892A05
- b** - Fill/drain plug 22-67892A05

- c** - Future design fill/drain plug
22-67892A06

8229

THE INFORMATION IN THIS DOCUMENT IS CONFIDENTIAL AND PROTECTED BY COPYRIGHT AND IS THE PROPERTY OF MERCURY MARINE.

This document is provided for the sole and exclusive use of the original recipient as prescribed by Mercury Marine and may not be distributed or copied, digitally or otherwise, without the prior written consent of Mercury Marine.

Warranty

Include the following information when submitting a warranty claim.

- Engine serial number
- 0.5 hour labor
- Flat rate code: EXCP
- Failure code: 00 (Service Bulletin Adjustment)
- Part code: EXCP

THE INFORMATION IN THIS DOCUMENT IS CONFIDENTIAL AND PROTECTED BY COPYRIGHT AND IS THE PROPERTY OF MERCURY MARINE.

This document is provided for the sole and exclusive use of the original recipient as prescribed by Mercury Marine and may not be distributed or copied, digitally or otherwise, without the prior written consent of Mercury Marine.