

Circulate to: Sales Manager Accounting Service Manager Technician Parts Manager

Yellow MerCathode Controller (with LED Light) Operation

Models Affected

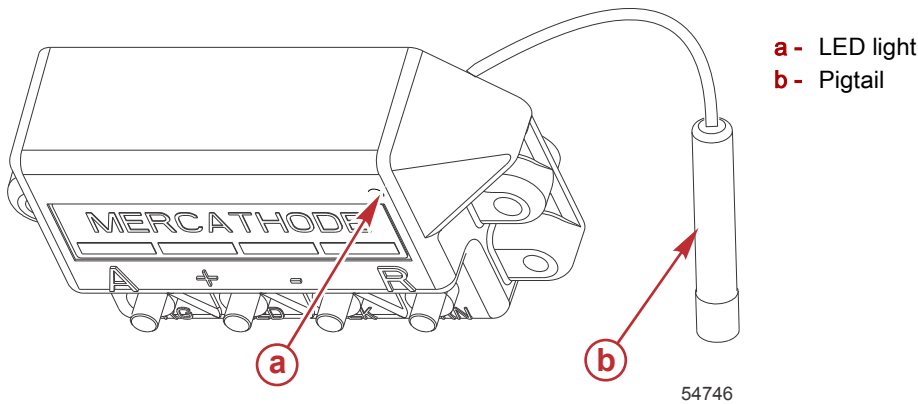
| Models Covered | Serial Number Or Year |
|-----------------------------------|-----------------------|
| All M-Series and NXT ECP Transoms | 0M969292 and Above |

Scope

Worldwide

Situation

This service bulletin refers to the yellow MerCathode controller with the LED light, and part number 8M0079687. The controller is installed on all M-Series and NXT ECP transoms, starting with serial number 0M969292.

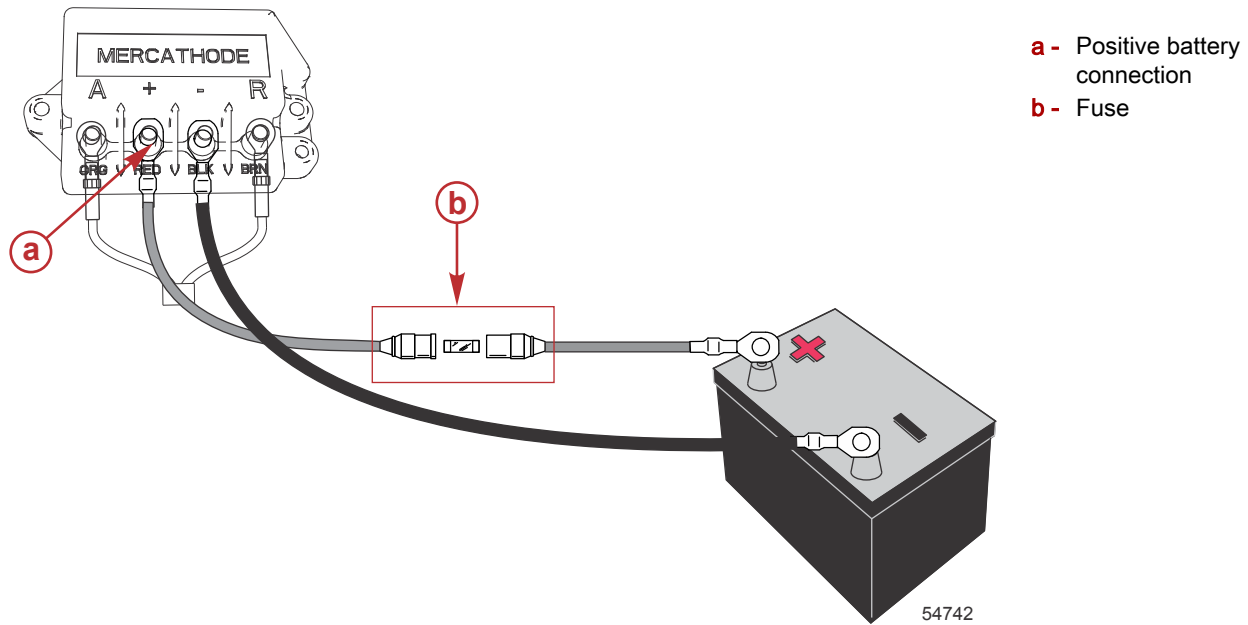


This controller produces electrical current that flows into the water to protect the propulsion system from corrosion. While this current will not cause injury, it may be felt by a diver/swimmer in close proximity to the MerCathode anode.

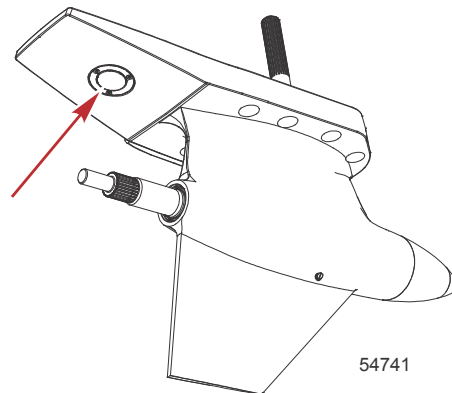
THE INFORMATION IN THIS DOCUMENT IS CONFIDENTIAL AND PROTECTED BY COPYRIGHT AND IS THE PROPERTY OF MERCURY MARINE.

This document is provided for the sole and exclusive use of the original recipient as prescribed by Mercury Marine and may not be distributed or copied, digitally or otherwise, without the prior written consent of Mercury Marine.

NOTE: In order to alleviate any concerns this electric field may cause, it is recommended to disconnect power to the MerCathode controller while divers/swimmers are within 1 m (3 ft) of the anode. Power can be disconnected by either removing the fuse (contained in the controller wire harness), or by opening a circuit breaker on the controller power circuit. If power cannot be disconnected, stay 1 m (3 ft) away from the MerCathode anode, and recommend the diver wear full finger diving gloves.



As reference, the MerCathode anode location is shown below:



Owner Notification

The owner's manuals will be changed to include the information in this service bulletin.

THE INFORMATION IN THIS DOCUMENT IS CONFIDENTIAL AND PROTECTED BY COPYRIGHT AND IS THE PROPERTY OF MERCURY MARINE.

This document is provided for the sole and exclusive use of the original recipient as prescribed by Mercury Marine and may not be distributed or copied, digitally or otherwise, without the prior written consent of Mercury Marine.