

COMPLETE GEAR HOUSING REPLACEMENT (3.0L)

THE FOLLOWING GEAR HOUSINGS ARE **NO LONGER AVAILABLE**.
 ORDER YOUR REPLACEMENT GEAR HOUSING FROM THE APPROPRIATE CHART

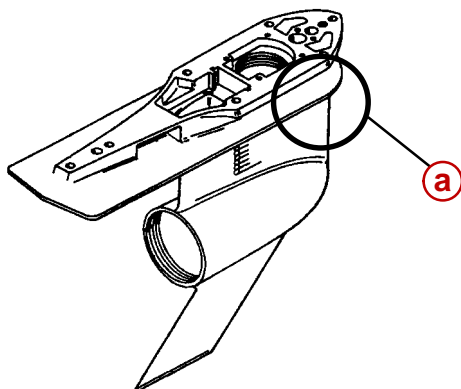
1623-857113T1	BLACK	STANDARD
1623-822442A78/T78	GRAY	STANDARD
1623-857113T2	BLACK	COUNTER ROTATION
1623-822442A82/T82	GRAY	COUNTER ROTATION

CHART #1

IF YOU HAVE AN 8 TOOTH DRIVESHAFT SPLINE WITH 1.64:1 GEAR RATIO, ORDER THE GEAR HOUSING AND EXTENSION KIT LISTED BELOW:

1623-822442T86	BLACK STANDARD
1623-822442T87	GRAY STANDARD
1623-822442T88	BLACK COUNTER ROTATION
1623-822442T89	GRAY COUNTER ROTATION
45-824114A1	DRIVESHAFT EXTENSION KIT-LONG (20 IN.)
45-823901A1	DRIVESHAFT EXTENSION KIT-X-LONG (25 IN.)
45-824115A1	DRIVESHAFT EXTENSION KIT-XX-LONG (30 IN.)

NOTE: The service replacement for the original 1.64:1 gear ratio is a 1.62:1 gear ratio. This gear housing incorporates the early style wider anti-ventilation plate. When inventory of these gear housings is depleted, they will be no longer available. The 8 spline 1.75:1 gear ratio assemblies can be used as a replacement, but may require propeller changes due to the gear ratio change.



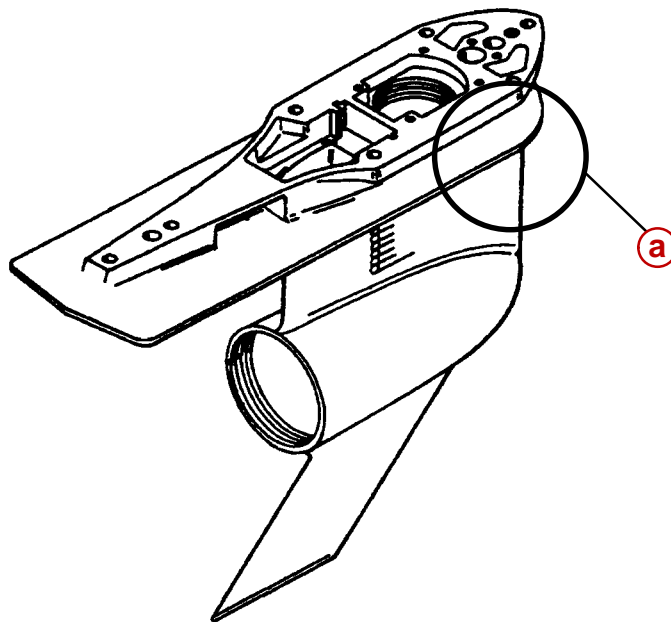
a - Early Style Anti-Ventilation Plate

CHART #2

IF YOU HAVE AN 8 TOOTH DRIVESHAFT SPLINE WITH 1.75:1 GEAR RATIO, ORDER FROM THE CHART BELOW. THESE KITS INCLUDE THE DRIVESHAFT EXTENSION KIT (45- SERIES).

1623-857113T4	BLACK LONG STANDARD
1623-857113T5	BLACK X-LONG STANDARD
1623-857113T6	BLACK XX-LONG STANDARD
1623-822442T90	GRAY LONG STANDARD
1623-822442T91	GRAY X-LONG STANDARD
1623-822442T92	GRAY XX-LONG STANDARD
1623-857113T7	BLACK LONG COUNTER ROTATION
1623-857113T8	BLACK X-LONG COUNTER ROTATION
1623-857113T9	BLACK XX-LONG COUNTER ROTATION
1623-822442T93	GRAY LONG COUNTER ROTATION
1623-822442T94	GRAY X-LONG COUNTER ROTATION
1623-822442T97	GRAY XX-LONG COUNTER ROTATION

NOTE: THESE GEAR HOUSING INCORPORATE THE EARLY STYLE WIDER ANTI-VENTILATION PLATE.



a - Early Style Anti-Ventilation Plate

CHART #3

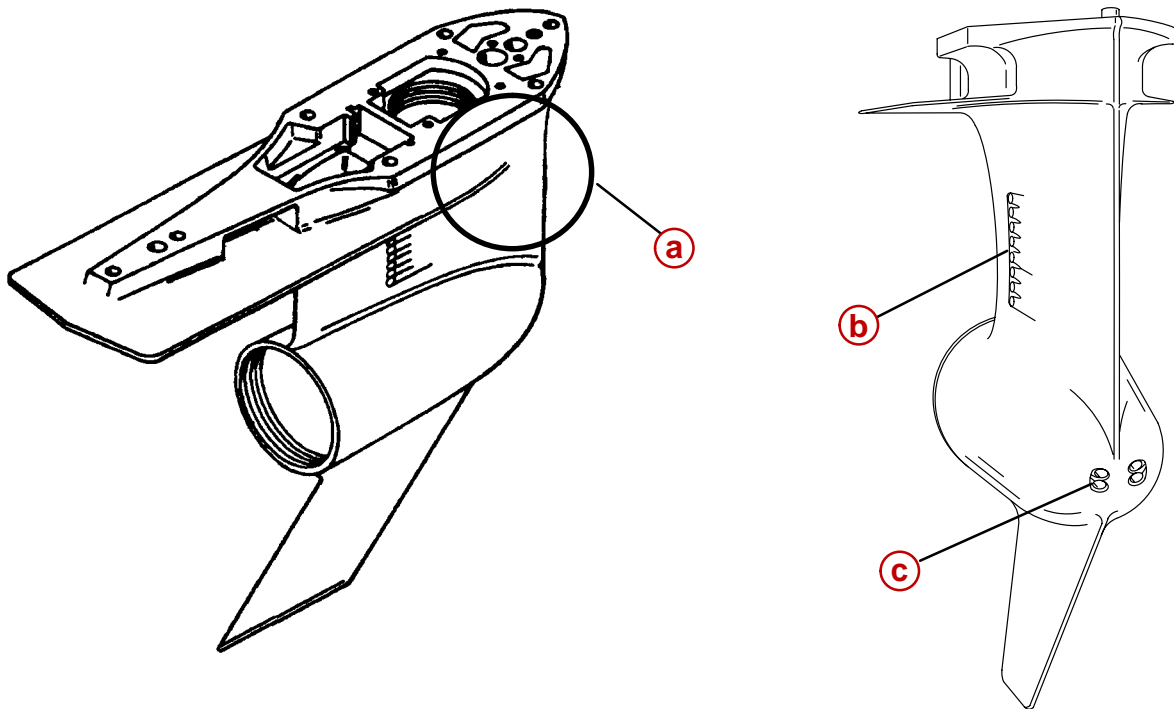
IF YOU HAVE A 13 TOOTH DRIVESHAFT SPLINE WITH 1.75:1 GEAR RATIO, ORDER:

1623-859399T13	BLACK LONG STANDARD
1623-859399T14	BLACK X-LONG STANDARD
1623-859399T15	BLACK XX-LONG STANDARD
1623-859399T16	BLACK X-LONG COUNTER ROTATION
1623-859399T17	BLACK XX-LONG COUNTER ROTATION

NOTE: These gear housings incorporate a one piece driveshaft, new style anti-ventilation plate, and dual water inlets. When used to replace gear housings with side water inlets only, water pressure gauge readings may increase. If the wider anti-ventilation plate or GRAY color is required for appearance reasons, on lower units using 13 spline driveshaft, order from chart #2. Substitute a 13 spline extension shaft, from the list below, in place of the 8 spline shipped with lower unit. Substitution of driveshaft must be done at dealer level.

13 SPLINE EXTENSION SHAFT - ORDER:

45-827754A1	DRIVESHAFT EXTENSION KIT-LONG (20 IN.)
45-827755A1	DRIVESHAFT EXTENSION KIT-X-LONG (25 IN.)
45-826353A1	DRIVESHAFT EXTENSION KIT-XX-LONG (30 IN.)



- a** - New Style Anti-ventilation Plate
- b** - Side Water Inlets
- c** - Front Water Inlets