

TO: PARTS MANAGER   
SERVICE MANAGER

**No. 91-6**

## ORDERING CORRECT EXHAUST MANIFOLDS, ELBOWS PLATE AND GASKETS

### Models

MCM 898, 228, 250, 255, 280 } With end exhaust outlet manifolds only  
MIE 198, 228, 255

### Change

MCM 898/MIE 198

Fiche: Card 23, Grid B-5 and B-6  
Paper: 90-75999, Page 13 and 14

MCM/MIE 228

Fiche: Card 20, Grid B-3 and B-4  
Paper: 90-75997, Page 13 and 14

MCM 250

Fiche: Card 18, Grid F-9 and F-10  
Paper: 90-76031, Page 13 and 14

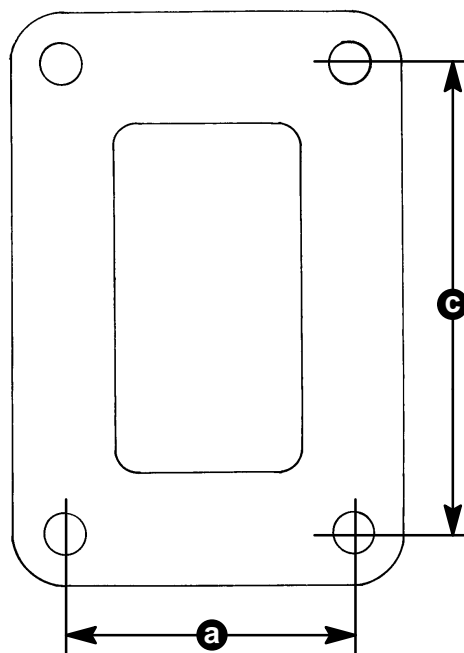
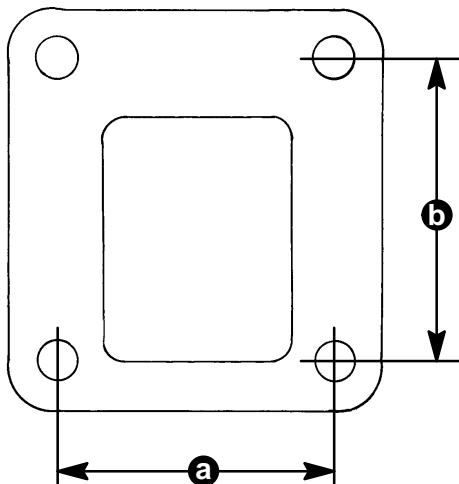
MCM/MIE 255

Fiche: Card 17, Grid B-1 and B-2  
Paper: 90-72629, Page 15 and 16

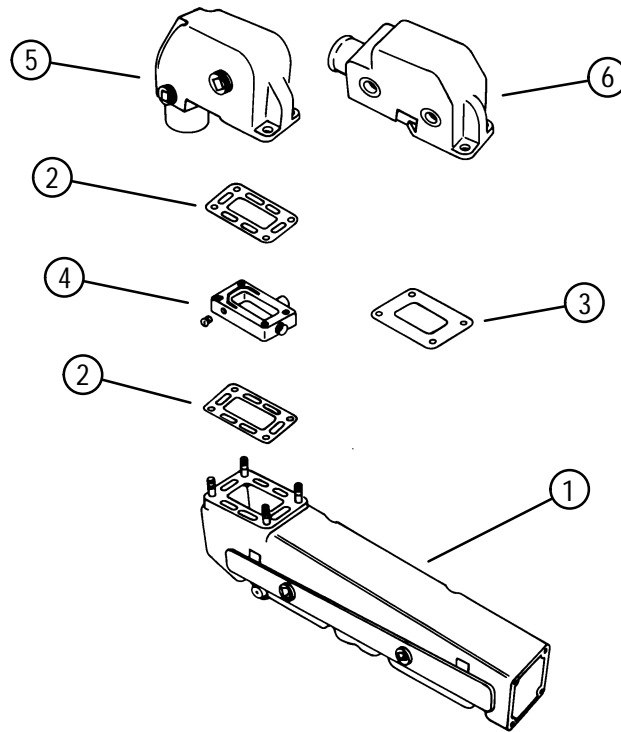
MCM 280

Fiche: Card 18, Grid B-3 and B-4  
Paper: 90-72595, Page 13 and 14

Before ordering parts, please measure the stud pattern in outlet of exhaust manifold.



a - 2-3/4 in. (70 mm)  
b - 3 in. (76 mm)  
c - 4-1/2 in. (114 mm)



71092

Parts for 2-3/4 in x 3 in. (70 mm x 76 mm) Stud Pattern		
Reference Number	Part Number	Description
1	77234A2	Exhaust Manifold - Port
1	77235A2	Exhaust Manifold - Starboard
2	27-52076	Gaskets
3	60207	Plate - <u>With</u> 1/8 in. (3 mm) Vent Hole
3	55730	Plate - <u>Without</u> Vent Hole
5	76351A2	Exhaust Elbow - Stern Drive Engine
6	76771A2	Exhaust Elbow - Inboard Engine

Parts for 2-3/4 in x 4-1/2 in. (70 mm x 114 mm) Stud Pattern		
Reference Number	Part Number	Description
1	47737A1	Exhaust Manifold - Port
1	47738A1	Exhaust Manifold - Starboard
2	27-48042	Gaskets
3	73782	Plate - <u>With</u> 1/8 in. (3 mm) Vent Hole
3	74829	Plate - <u>Without</u> Vent Hole
4	60390A1	Water Dist. Block - Port
4	60391A1	Water Dist. Block - Starboard
5	76668A3	Exhaust Elbow - Stern Drive Engine
6	72963A9	Exhaust Elbow - Inboard Engine